

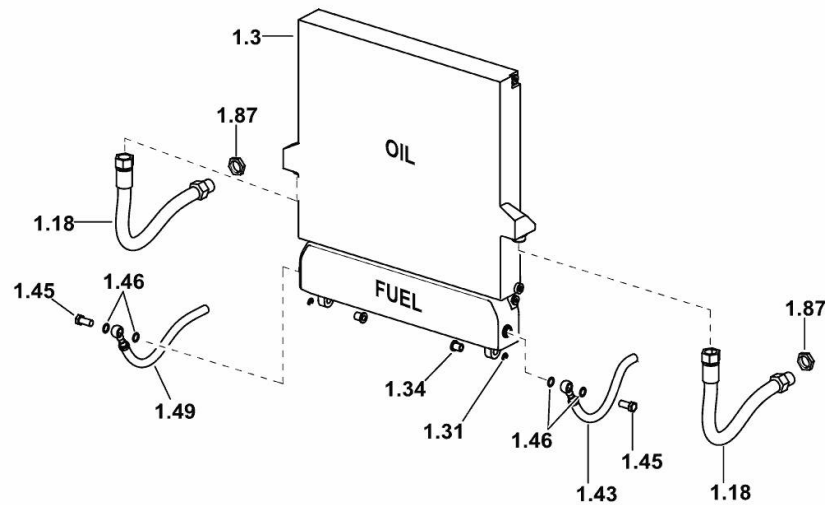
**FUEL COOLER - GEAR OIL COOLER**

Fig.	P/n	QTY	Name
------	-----	-----	------

Notes:  
[IRON 180]

1.3	0.013.4874.4/10	1	radiator
1.18	0.013.3603.3/20	2	flexible hose
1.31	2.1430.009.2	4	ring 8
1.34	2.1559.147.0	8	bushing
1.43	04452457	1	rubber tube sx/lh/li
1.45	01119246	2	pipe union H 3102 -D10 M
1.46	2.1569.220.0	4	oil seal
1.49	04452458	1	rubber tube dx/rh/re
1.87	01123544	2	nut m 26 p.1.5

K9\_B7583\_01\_0-A-002

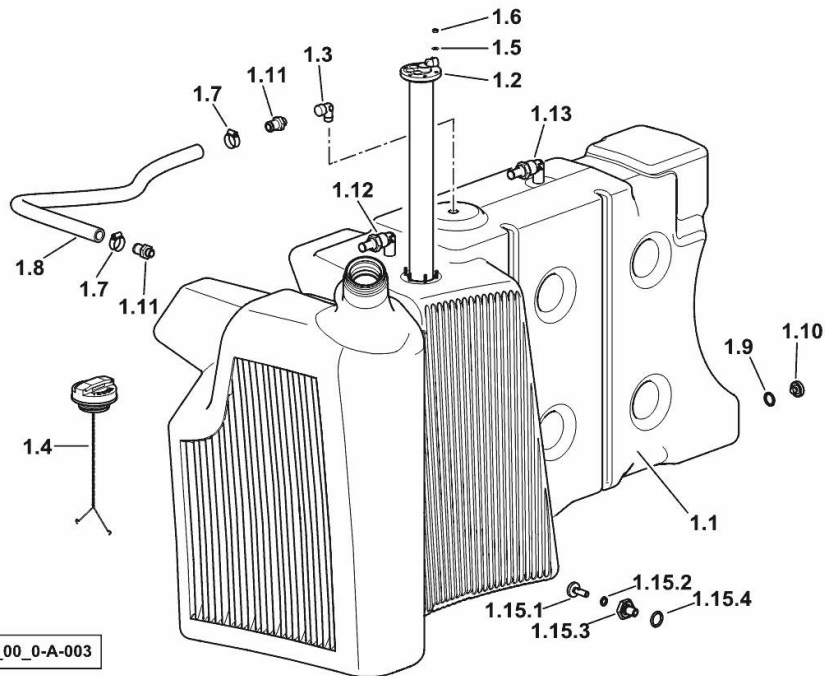


**FUEL TANK**

Fig.	P/n	QTY	Name
------	-----	-----	------

Notes:  
[IRON 180]

1.1	0.014.0702.3/40	1	fuel tank lt. 300
1.2	2.7059.844.0	1	float
1.3	2.3249.224.0	1	pipe fitting Ø 22 / 3/8" GAS
1.4	0.016.0151.4	1	plug ☞ 0.016.0151.4
1.5	2.1310.028.2	6	flat washer
1.6	2.1011.101.2	6	nut
1.7	01173962	2	clamp Ø 20/32
1.8	0.016.9302.0/10	1	tube
1.9	2.1539.040.0	1	special oil seal 21.82 x 3.53
1.10	2.3199.332.0	1	plug m 12
1.11	2.3249.245.0	2	pipe fitting Ø 12 / 3/8" GAS
1.12	0.015.9459.3/10	1	tube - INLET
1.13	0.016.7518.3/10	1	tube - RETURN
1.15.1	0.016.9607.0	1	plug m10
1.15.2	2.1560.006.0	1	gasket 10.2 x 16
1.15.3	0.016.9605.0	1	plug m14
1.15.4	2.1539.040.0	1	special oil seal 21.82 x 3.53



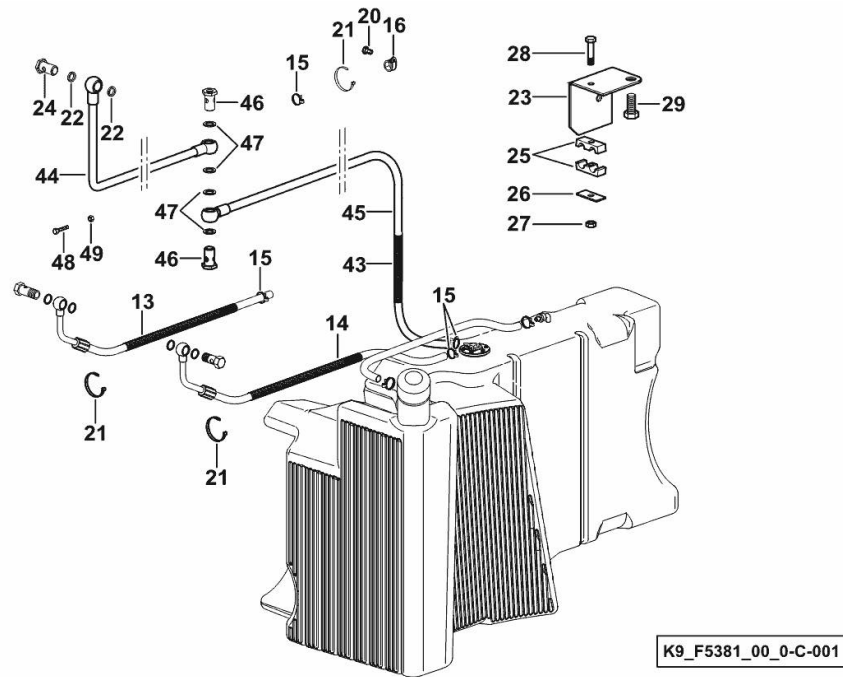
K9\_F5381\_00\_0-A-003

**FUEL TANK PIPES**

Fig.	P/n	QTY	Name
------	-----	-----	------

Notes:  
[IRON 180]

13	0.016.1428.0	1	guard mm 1150
14	0.016.1425.0	1	guard mm 1700
15	2.6851.001.0	4	clamp Ø 16/25
16	01172689	1	clamp
20	01112295	1	screw m 8 x 10
21	2.6852.203.0	8	clamp 292 x 4.8
22	2.1569.221.0	2	oil seal 16.2x20x1.5
23	04428087	1	angular
24	01137064	1	pipe union m 16 p.1.5
25	04418659	2	terminal 12x10
26	01175616	1	small plate
27	2.1011.103.2	1	nut m 6 p.1
28	2.0114.016.2	1	screw m 16 p.1x45
29	2.0114.411.2	1	screw m 12 p.1.75 x 30
43	0.016.1442.0	1	guard mm 1450
44	04453719	1	flexible hose mm 550
45	0.016.1448.0	1	flexible hose mm 1900
46	2.3335.008.2	2	pipe union m 18 p.1.5 x 32
47	2.1569.222.0	4	gasket 18.2x21.9x1.5
48	2.0112.017.2	2	screw m 6 p.1x45
49	2.1120.003.2	2	self-locking nut m 6

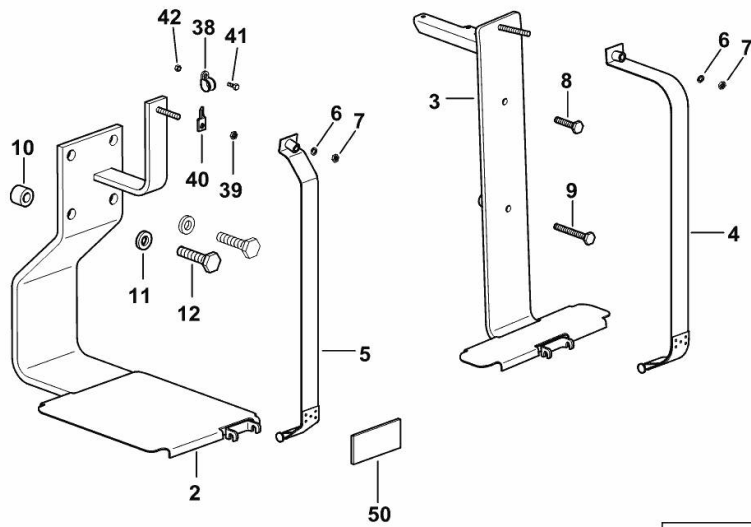


**TANK SUPPORTS**

Fig.	P/n	QTY	Name
------	-----	-----	------

Notes:  
[IRON 180]

2	0.014.0711.3/20	1	tank support
3	0.014.8104.3/30	1	tank support
4	04438108/10	1	fascia
5	04436122/10	1	fascia
6	2.1310.006.2	2	flat washer 10.5x21
7	01136453	2	nut m 10
8	2.0112.421.2	1	screw m 12 p.1.75 x 60
9	2.0112.431.2	1	screw m 12 p.1.75 x 110
10	04427061	1	bushing 20.5x40x30
11	01167055	4	washer 20.5x40
12	2.0399.302.2	4	screw m 20 p.2x90
38	01213283	1	clamp Ø 20/28
39	2.1011.106.2	1	nut m 10 p.1.5
40	04438416	1	bracket
41	2.0114.207.2	1	screw m 8 p.1.25 x 20
42	01122477	1	nut m 8 p.1.25
50	0.015.7103.0	1	gasket 60x150x18



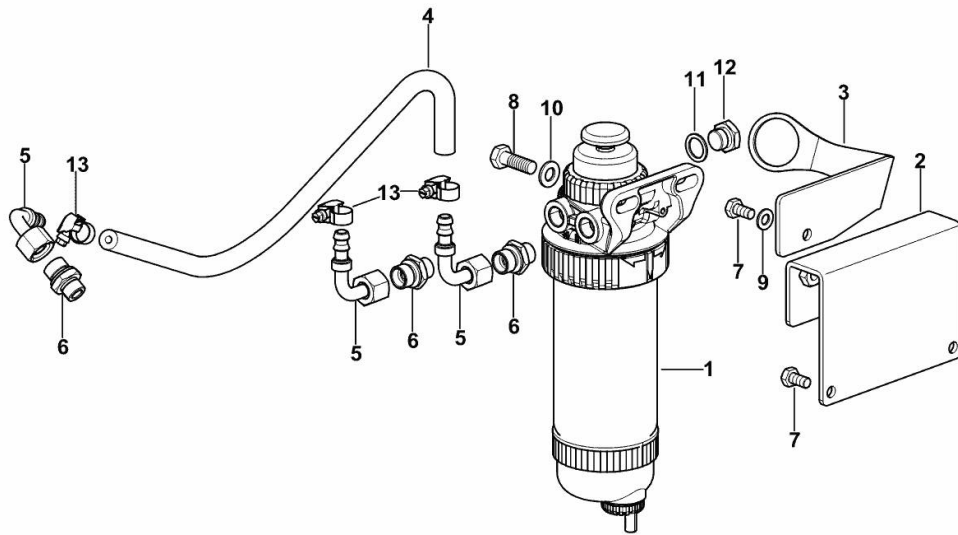
K9\_F5381\_00\_0-B-001

**FUEL PRELIMINARY FILTER**

Fig.	P/n	QTY	Name
------	-----	-----	------

Notes:  
[IRON 180]

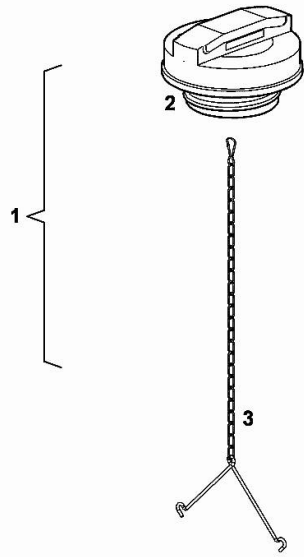
1	2.4319.290.0/10	1	precleaner ☞ 2.4319.290.0/10
2	04454761.3/20	1	bracket
3	0.016.1810.0	1	bracket
4	04454768	1	tube
5	04454253	3	pipe fitting
6	01180559	3	pipe fitting
7	2.0112.205.2	3	screw m 8 p.1.25 x 16
8	2.0112.311.2	2	screw m 10 p.1.5 x 30
9	2.1310.004.2	1	flat washer 8.4x17
10	2.1310.006.2	2	flat washer 10.5x21
11	2.1560.012.0	2	gasket 16.2 x 22
12	2.3110.404.2	2	plug m 16 p.1.5
13	2.6851.018.0	3	clamp Ø11/17



K9\_F5381\_51\_0-A-001

**SCREW PLUG**

Fig.	P/n	QTY	Name
1	0.016.0151.4	1	plug
2	0.000.0000.1	1	cannot be supplied
3	0.900.0986.2	1	small chain



0.016.0151.4

**PRE-FILTER - COMPONENTS**

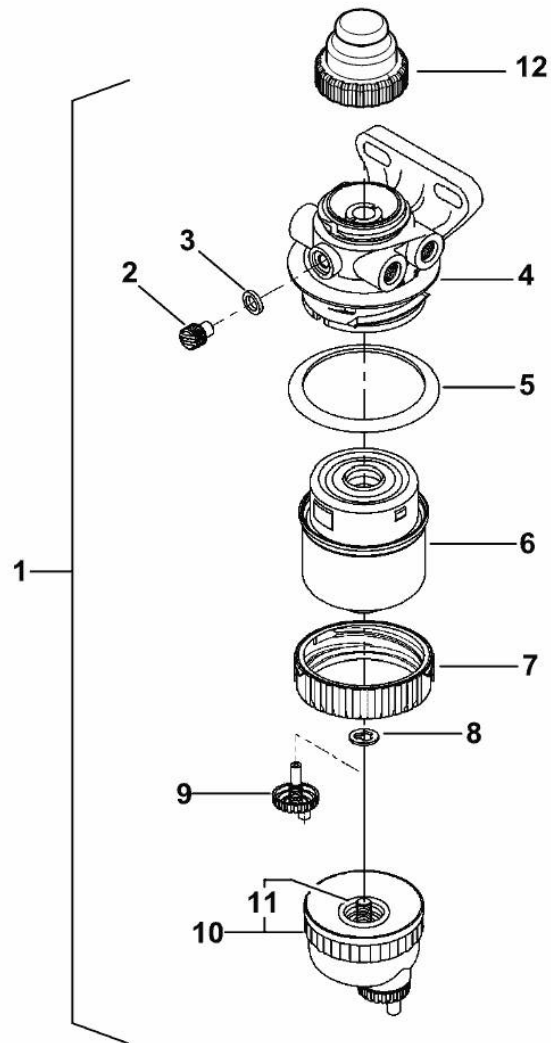


Fig.	P/n	QTY	Name
1	2.4319.290.0/10	1	precleaner
2	0.900.0789.7	1	valve
3	0.900.0789.8	1	ring
4	0.000.0000.1	1	cannot be supplied
5	0.900.0789.9	1	oil seal
6	0.900.0456.2	1	fuel filter element
7	0.900.0790.0	1	ring
8	0.900.0790.1	1	gasket
9	0.900.0790.2	1	valve
10	0.900.0790.4	1	small tank
11	0.900.0790.3	1	gasket
12	0.900.1450.6	1	small pump

2\_4319\_290\_0\_10

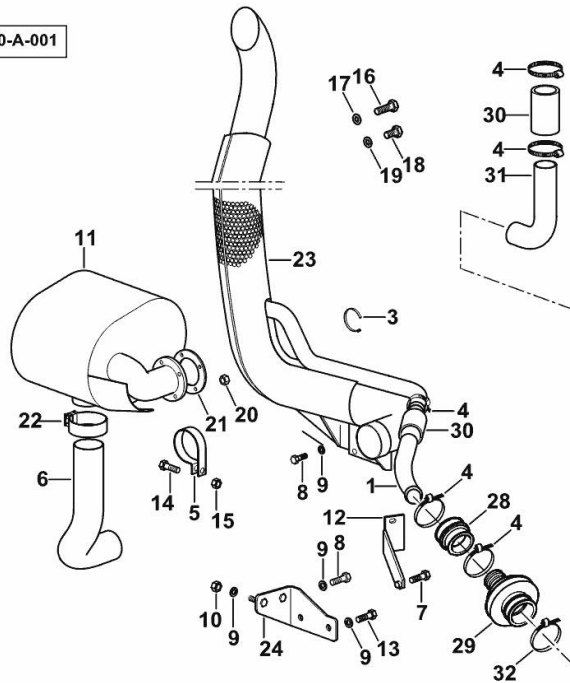
**EXHAUST SILENCER**

Fig.	P/n	QTY	Name
------	-----	-----	------

Notes:  
[IRON 180]

1	04451135	1	primer
3	2.6852.203.0	1	clamp 292 x 4.8
4	2.6851.004.0	5	clamp Ø 32/50
5	04422728	1	fascia
6	04436010	1	manifold
7	01111308	1	screw m 10 x 50
8	2.0114.413.2	4	screw m 12 x 35
9	01174738	7	flat washer 12.5x26x6
10	2.1011.107.2	2	nut m 12 p.1.75
11	04436007	1	silencer
12	04437930	1	bracket
13	2.0122.467.2	1	screw m 12 p.1.25x45
14	01112429	2	screw m 10 x 30, d933
15	2.1011.006.2	3	nut m 10 p.1.5
16	2.0114.307.2	2	screw m 10 x 20, d933
17	01140501	1	washer 10.5
18	01112307	2	screw m 8 p.1.25 x 15, d933
19	2.1310.004.2	2	flat washer 8.4x17
20	01144673	4	nut
21	04209203	1	gasket
22	04427255	1	clamp
23	04436011.4/20	1	exhaust pipe
24	0.015.3755.3	1	support
28	04450656	1	adapter
29	04450649	1	adapter
30	04432016	2	rubber sleeve
31	04450659	1	tube
32	2.6851.019.0	1	clamp Ø 13/20

K9\_D3856\_00\_0-A-001





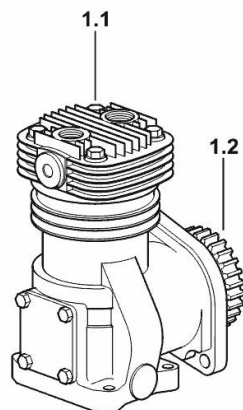
**AIR COMPRESSOR 229 cm<sup>3</sup>**

Fig.	P/n	QTY	Name
------	-----	-----	------

Notes:  
[IRON 180]

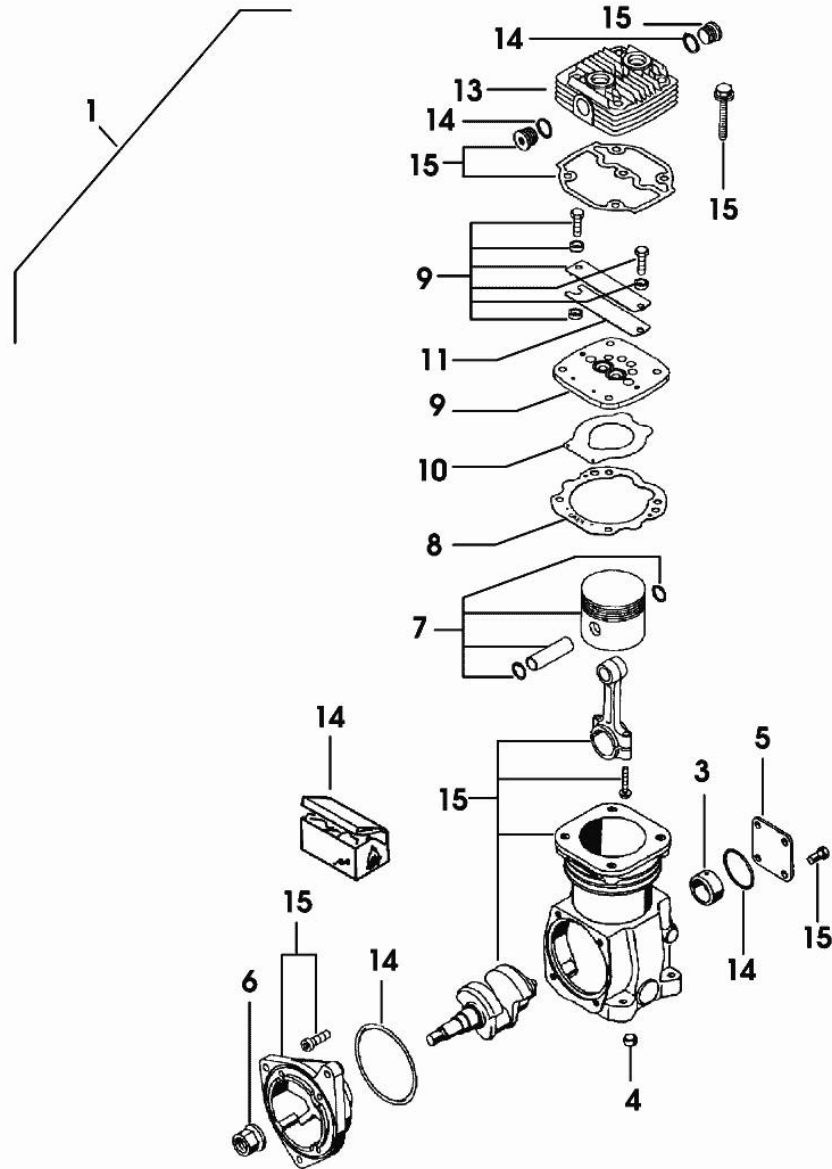
1.1	04428408.4	1	air compressor 229 cm <sup>3</sup> ☞ 04428408.4
1.2	04295536	1	gear Z = 43

K9\_F5289\_15\_0-A-001



**COMPRESSOR-PARTS**

Fig.	P/n	QTY	Name
1	04428408.4	1	air compressor 229 cm <sup>3</sup>
3	04436267	1	bushing
4	01151194	2	cover
5	04436268	1	cover
6	04436276	1	nut
7	04436269	1	piston
8	04436270	1	gasket
9	04436271	1	valve
10	04436272	1	thin plate
11	04436273	1	thin plate
13	04436275	1	cover
14	04436277	1	sub-assy parts
15	0.000.0000.1		cannot be supplied

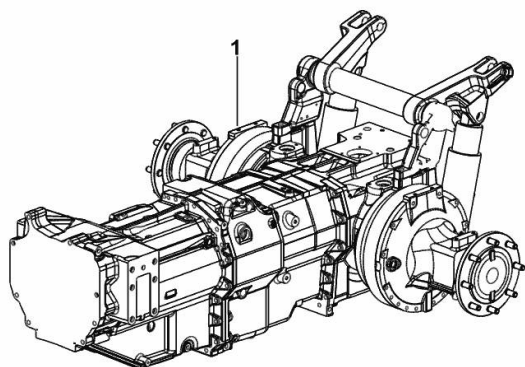


0442\_6744\_4

**GEAR CHANGE BOX**

Fig.	P/n	QTY	Name
------	-----	-----	------

Notes:  
[IRON 180]



K9\_04437486-A-001

1	04437486.4/20	1	gearbox 2093 009 063
			☞ 04437486.4/20
			☞ 04437486.4/20
			☞ 04437486.4/20
			☞ 04437486.4/20
			☞ 04437486.4/20
			☞ 04437486.4/20
			☞ 04437486.4/20
			☞ 04437486.4/20
			☞ 04437486.4/20
			☞ 04437486.4/20
			☞ 04437486.4/20
			☞ 04437486.4/20
			☞ 04437486.4/20
			☞ 04437486.4/20
			☞ 04437486.4/20
			☞ 04437486.4/20
			☞ 04437486.4/20
			☞ 04437486.4/20
			☞ 04437486.4/20
			☞ 04437486.4/20
			☞ 04437486.4/20
			☞ 04437486.4/20
			☞ 04437486.4/20
			☞ 04437486.4/20
			☞ 04437486.4/20
			☞ 04437486.4/20
			☞ 04437486.4/20
			☞ 04437486.4/20
			☞ 04437486.4/20
			☞ 04437486.4/20
			☞ 04437486.4/20
			☞ 04437486.4/20
			☞ 04437486.4/20
			☞ 04437486.4/20
			☞ 04437486.4/20
			☞ 04437486.4/20
			☞ 04437486.4/20
			☞ 04437486.4/20
			☞ 04437486.4/20
			☞ 04437486.4/20
			☞ 04437486.4/20
			☞ 04437486.4/20
			☞ 04437486.4/20
			☞ 04437486.4/20
			☞ 04437486.4/20
			☞ 04437486.4/20
			☞ 04437486.4/20

**GEAR CHANGE BOX**

---

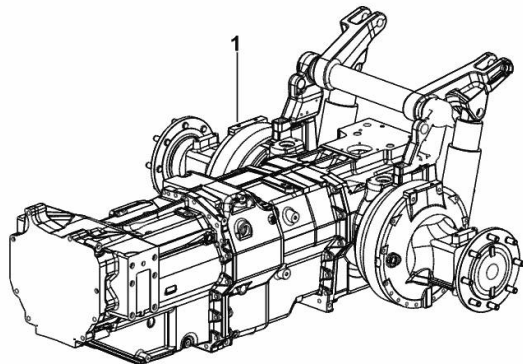
Fig.	P/n	QTY	Name
------	-----	-----	------

---

**Notes:**

[IRON 180]

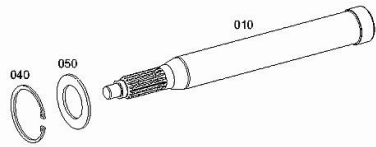
1	04437485.4/20	1	gearbox - 2093 009 061 ☞ 04437485.4/20
---	---------------	---	---



K9\_04437485-A-001

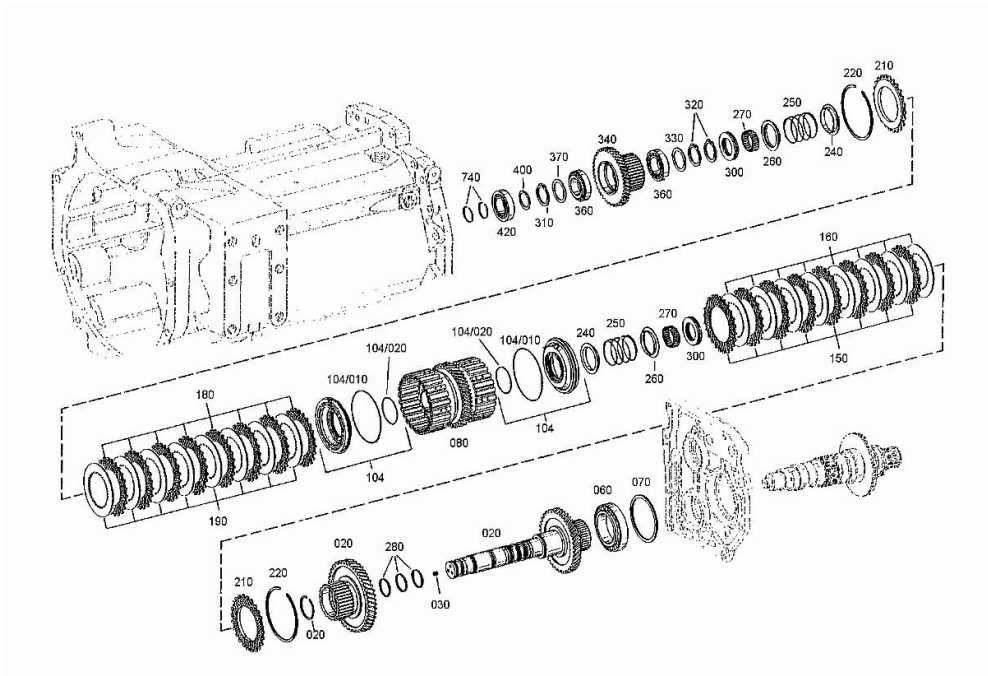
**GEARBOX INPUT SHAFT - 2093 009 061**

Fig.	P/n	QTY	Name
10	04416810	1	transmission shaft
40	0.010.2883.2	1	circlip 85x3
50	04415635	1	washer



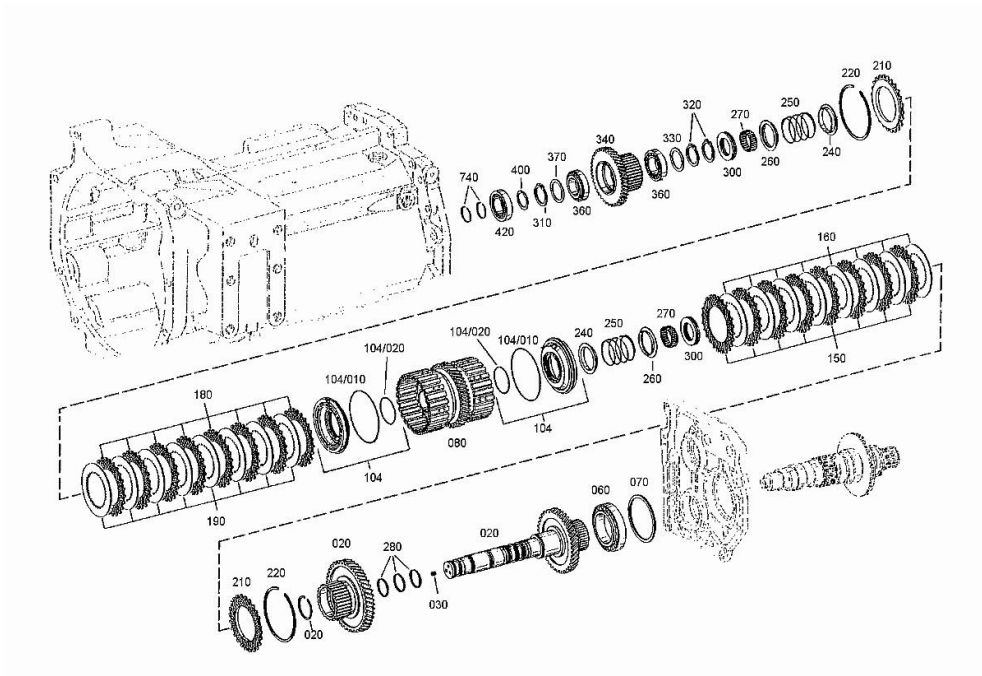
Section: D0 - TRANSMISSION  
**SPLITTER - 2093 009 061**

Fig.	P/n	QTY	Name
20	0.900.0487.8	1	shaft
30	0.900.0067.3	2	plug
60	04415989	1	bearing
70	04417057	1	washer mm 2.70
70	04417058	1	washer mm 2.65
70	04417059	1	washer mm 2.60
70	04417060	1	washer mm 2.55
70	04417061	1	washer mm 2.50
70	04417062	1	washer mm 2.45
70	04417063	1	washer mm 2.40
70	04417064	1	washer mm 2.35
70	04417065	1	washer mm 2.30
70	04417066	1	washer mm 2.25
70	04417067	1	washer mm 2.20
70	04417068	1	washer mm 2.15
70	04417069	1	washer mm 2.10
70	04417070	1	washer mm 2.05
70	04417071	1	washer mm 2.0
70	04417072	1	washer mm 1.95
70	04417073	1	washer mm 1.9
70	04417074	1	washer mm 1.85
70	04417075	1	washer mm 1.80
80	04417241	1	spring holder Z = 43
104	04431746	4	piston
104.40	04419762	1	oil seal 104x3
104.50	04419763	1	oil seal 50x3
150	04416760	9	clutch plate AV 35
160	04416967	9	clutch plate
180	04416760	9	clutch plate AV 35
190	04416967	9	clutch plate
210	04416763	4	disc
220	0.900.0801.9	4	circlip A=2,75
220	0.900.0802.0	4	circlip A=3,25
220	0.900.0802.1	4	circlip A=2,25
220	0.900.1380.3	4	circlip
220	04416765	4	circlip A = 2.0
220	04416766	4	circlip A = 2.5
220	04416767	4	circlip A = 3.0
220	04416768	4	circlip A = 3.5
240	04416953	4	ring
250	04416759	4	spring
260	04416954	4	ring
270	04416955	4	roller cage
280	04416956	6	ring 38/35.2x2



Section: D0 - TRANSMISSION  
**SPLITTER - 2093 009 061**

Fig.	P/n	QTY	Name
300	04416957	4	bearing
310	04416951	2	circlip
320	0.010.3347.1	5	circlip 38x2.5
330	04416969	1	ring mm 1.5
340	04427566	1	gear z = 36/39
360	04416950	4	bearing
370	0.010.2886.0	2	washer mm 1.175
370	0.010.2886.1	2	washer mm 1.15
370	0.900.1378.4	2	washer
370	04416969	2	ring mm 1.5
370	04417016	2	washer mm 1.2
370	04417017	2	washer mm 1.25
370	04417018	2	washer mm 1.30
370	04417019	2	washer mm 1.35
370	04417020	2	washer mm 1.4
370	04417021	2	washer mm 1.45
370	04417023	2	washer mm 1.55
370	04417024	2	washer mm 1.60
370	04417025	2	washer mm 1.65
370	04417026	2	washer mm 1.7
370	04417027	2	washer mm 1.75
370	04417028	2	washer mm 1.80
370	04417029	2	shim mm 1.225
370	04417030	2	shim mm 1.275
370	04417031	2	shim mm 1.325
370	04417032	2	shim mm 1.375
370	04417033	2	shim mm 1.425
370	04417034	2	shim mm 1.475
370	04417035	2	shim mm 1.525
370	04417036	2	shim mm 1.575
370	04417037	2	shim mm 1.625
370	04417038	2	shim mm 1.675
370	04417039	2	shim mm 1.725
370	04417040	2	shim mm 1.775
400	04416762	1	disc
420	04416358	1	roller bearing
510	0.900.0122.2	1	shaft Z = 29
520	0.900.0498.4	3	plug
550	04427567	1	gear Z = 32 / Z = 36
560	04417244	1	spring holder Z = 46
580	04416760	9	clutch plate AV 35
590	04416967	9	clutch plate
600	04416760	9	clutch plate AV 35
620	04416967	9	clutch plate



Thank you so much for reading.  
Please click the “Buy Now!”  
button below to download the  
complete manual.



After you pay.

You can download the most  
perfect and complete manual in  
the world immediately.

Our support email:

[ebooklibonline@outlook.com](mailto:ebooklibonline@outlook.com)