

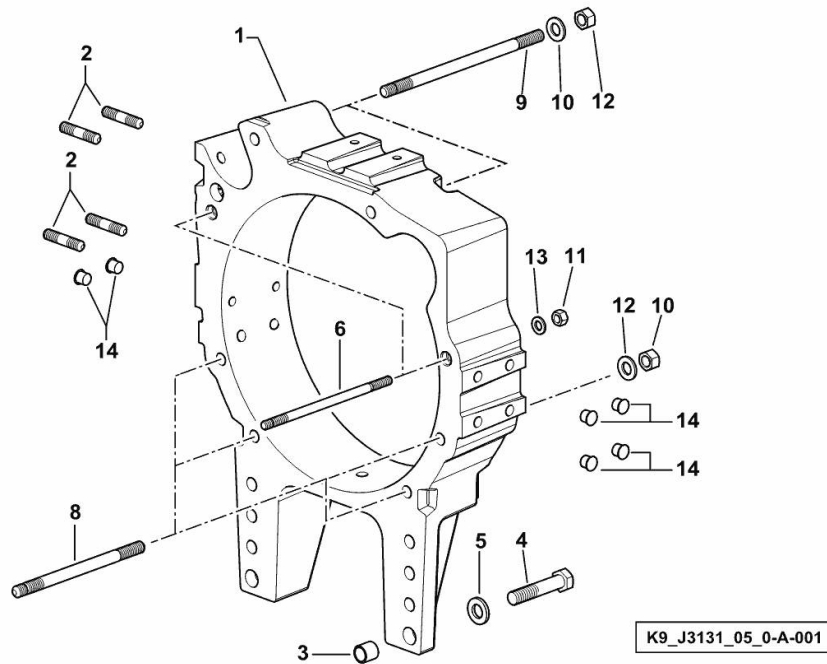
SEPARATOR

Fig.	P/n	QTY	Name
------	-----	-----	------

Notes:

[IRON 185 DCR HI-LINE -> 20001]

1	0.015.0622.0/30	1	spacer
2	2.0433.315.7	4	stud bolt m 14 p.1.5 x 50
3	0.013.2899.0	2	bushing 19x24x23
4	2.0114.725.2	8	screw m 18 p.2.5x80
5	2.1475.107.7	8	washer 18x36
6	2.0422.436.7	2	stud bolt m 12 p.1.75x220
8	2.0439.296.7/10	4	stud bolt m 16 p.2-1.5x242
9	2.0439.297.7/10	2	stud bolt
10	2.1011.109.2	6	nut m 16 p.2
11	2.1011.107.2	2	nut m 12 p.1.75
12	2.1475.106.7	6	washer 17x32
13	2.1475.104.7	2	washer 13 x 24
14	01167317	6	plug 14.5X11.5X21

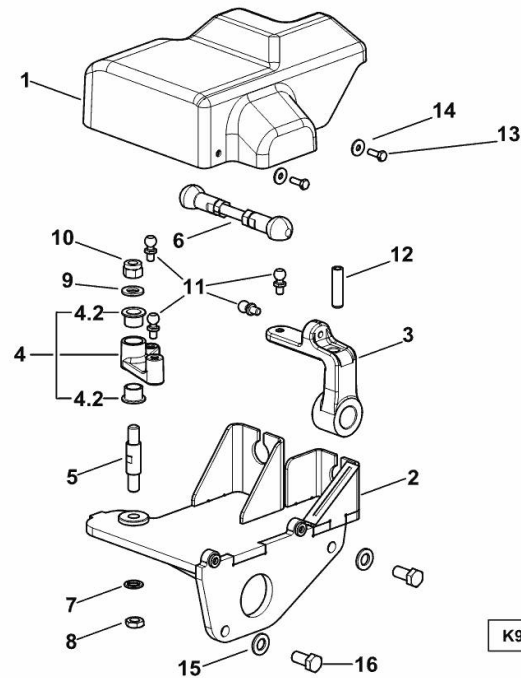


GEAR SHIFTING

Fig.	P/n	QTY	Name
------	-----	-----	------

Notes:

[IRON 185 DCR HI-LINE -> 20001] 20005 <-



K9_J3164_04_0-A-001

1	0.016.3928.0/10	1	cover
2	0.016.5459.2/20	1	support
3	0.016.3972.0/20	1	lever
4	0.016.3962.4	1	lever
4.2	2.1559.276.0/10	2	special bushing 16x20x15
5	0.016.2711.0/10	1	pin
6	0.016.3969.4/10	1	rod
7	2.1474.011.2	1	spring washer 12
8	2.1011.107.2	1	nut m 12 p.1.75
9	2.1310.007.2	1	flat washer 13 x 24
10	2.1120.007.2	1	self-locking nut m 12 p.1.75
11	0.014.1947.0	4	small pin
12	2.1630.916.2	1	pin 12x45
13	2.0112.006.2	2	screw m 6 p.1 x 18
14	2.1312.003.2	2	washer 6
15	2.1475.104.6	2	screw 13 x 24
16	2.0114.409.2	2	screw m 12 x 25

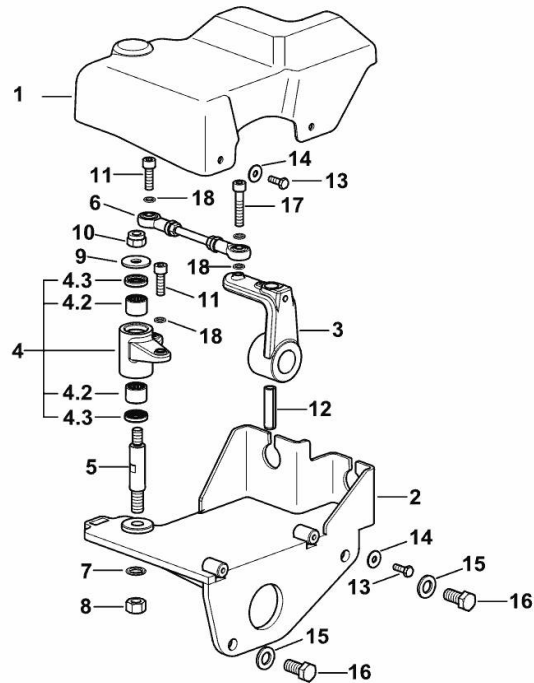
GEAR SHIFTING

Fig.	P/n	QTY	Name
------	-----	-----	------

Notes:

[IRON 185 DCR HI-LINE -> 20001]

1	0.019.4943.0	1	cover
2	0.016.5459.2/20	1	support
3	0.019.5033.0	1	lever
4	0.019.5053.4	1	lever
4.2	2.2725.020.0	2	roller cage 16x22x16
4.3	2.1519.078.0	2	special oil seal 16 x 24 x 6
5	0.016.2711.0/20	1	pin
6	0.019.4543.4	1	stay
7	2.1474.011.2	1	spring washer 12
8	2.1011.107.2	1	nut m 12 p.1.75
9	2.1312.005.2	1	washer 10.2
10	2.1120.006.2	1	nut m 10 p.1.5
11	2.0312.208.2	2	screw m 8 p.1.25 x 25
12	2.1630.916.2	1	pin 12x45
13	2.0112.006.2	2	screw m 6 p.1 x 18
14	2.1312.003.2	2	washer 6
15	2.1475.104.6	2	screw 13 x 24
16	2.0114.409.2	2	screw m 12 x 25
17	2.0312.214.2	1	screw m 8 p.1.25 x 40
18	2.1549.780.2	4	washer



K9_J3164_04_0-A-002

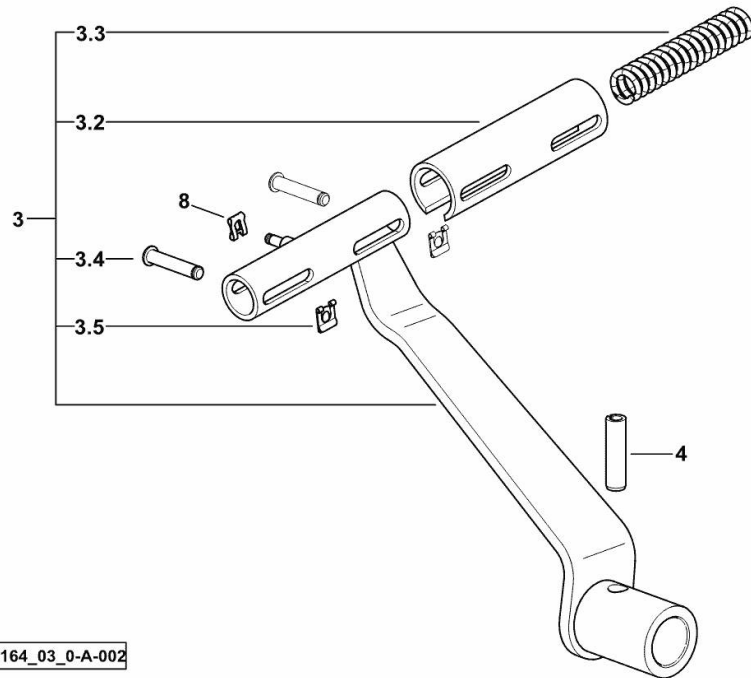
SUPER-REDUCTION CONTROL

Fig.	P/n	QTY	Name
------	-----	-----	------

Notes:

[IRON 185 DCR HI-LINE -> 20001]

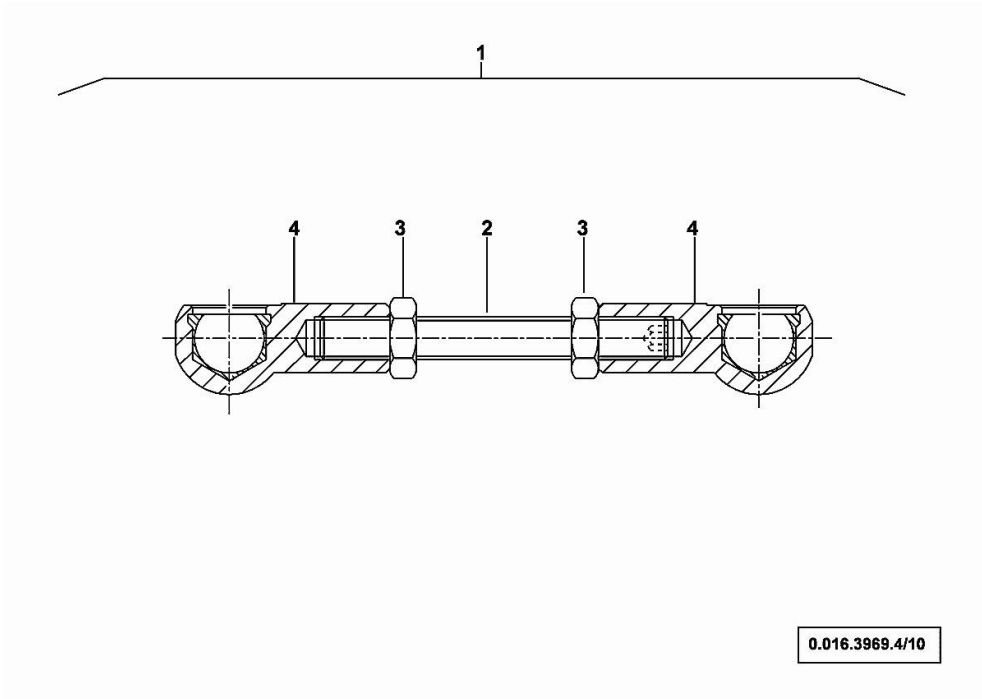
3	0.017.9592.4/10	1	lever
3.2	04414554.4	1	tube
3.3	04414549	1	spring
3.4	04414557	2	pin
3.5	01175655	2	stop
4	2.1630.916.2	1	pin 12x45
8	01175725	1	clip 6, d128



K9_R5164_03_0-A-002

LINKAGE

Fig.	P/n	QTY	Name
1	0.016.3969.4/10	1	rod
2	0.900.1389.8	1	rod
3	0.900.1389.9	2	nut
4	0.900.1390.0	2	tip

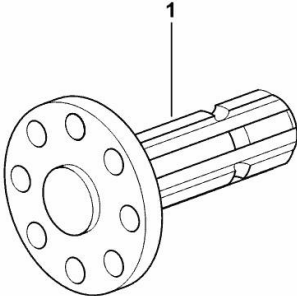


PTO OUTPUT SHAFT 1" 3/4, Z = 6

Fig.	P/n	QTY	Name
------	-----	-----	------

Notes:
[IRON 185 DCR HI-LINE -> 20001]

1	04454955	1	shaft 1" 3/4, Z = 6
---	----------	---	---------------------



K9_F5336_12_0-A-001

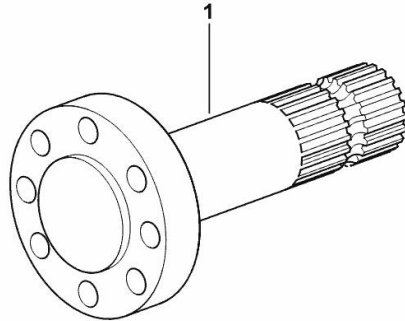
PTO OUTPUT SHAFT 1"3/4, Z = 20

Fig.	P/n	QTY	Name
------	-----	-----	------

Notes:

[IRON 185 DCR HI-LINE -> 20001]

1	04413632	1	shaft 1"3/4, Z = 20
---	----------	---	---------------------



K9_F5336_11_0-A-001

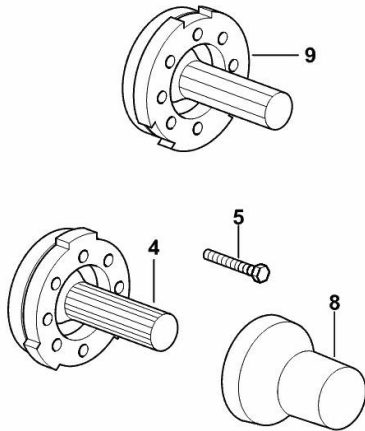
PTO OUTPUT SHAFT

Fig.	P/n	QTY	Name
------	-----	-----	------

Notes:

- EXPORT U.S.A. [IRON 185 DCR HI-LINE -> 20001]

4	04455303.3	1	power take-off shaft Z = 21
5	2.0119.251.2	8	screw m 12 p.1.75 x 60
8	0.012.9643.0/30	1	guard
9	04455065.3	1	power take-off shaft Z = 6



K9_R5184_07_0-A-001

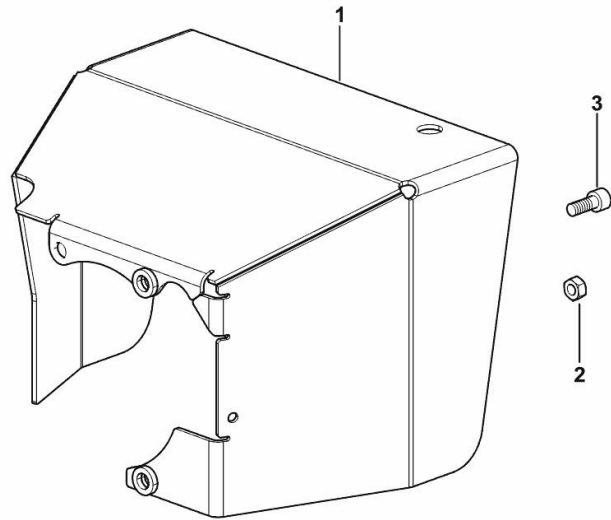
P.T.O. SHAFT PROTECTOR REAR

Fig.	P/n	QTY	Name
------	-----	-----	------

Notes:

- EXPORT U.S.A. [IRON 185 DCR HI-LINE -> 20001]

1	0.018.9469.3/10	1	guard
2	2.1011.105.2	3	nut m 8 p.1.25
3	2.0312.206.2	1	screw m 8 p 1.25 x 20



K9_L4736_20_0-A-001

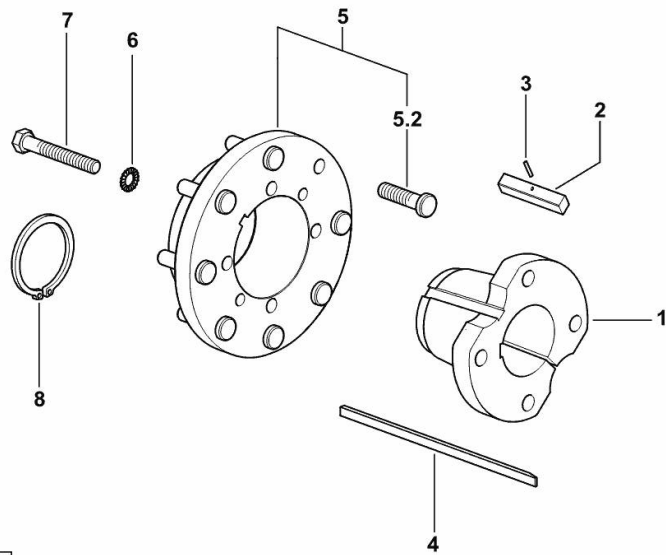
FLANGE SX/LH/LI - DX/RH/RE

Fig.	P/n	QTY	Name
------	-----	-----	------

Notes:

[IRON 185 DCR HI-LINE -> 20001]

1	04453371	2	flange
2	2.1799.020.2	2	stick
3	2.1630.211.0	2	roll pin 3x24
4	04455000	2	stick
5	0.009.3540.3/10	2	flange
5.2	0.009.3541.0	8	small column m 22 p1.5x85
6	2.1470.011.2	8	lock washer 20
7	2.0119.080.2	8	screw
8	2.1410.040.7	2	ring 100



K9_D4031_03_0-A-001

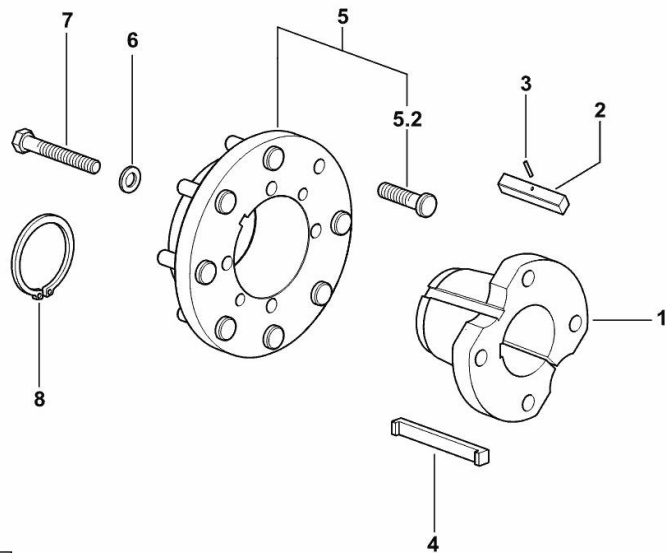
FLANGE SX/LH/LI - DX/RH/RE

Fig.	P/n	QTY	Name
------	-----	-----	------

Notes:

[IRON 185 DCR HI-LINE -> 20001]

1	04453371	2	flange
2	2.1799.020.2	2	stick
3	2.1630.211.0	2	roll pin 3x24
4	0.021.3340.0	2	stick
5	0.009.3540.3/10	2	flange
5.2	0.009.3541.0	8	small column m 22 p1.5x85
6	2.1475.008.2	8	washer 20
7	2.0119.080.2	8	screw
8	2.1410.040.7	2	ring 100



K9_D4031_03_0-A-002

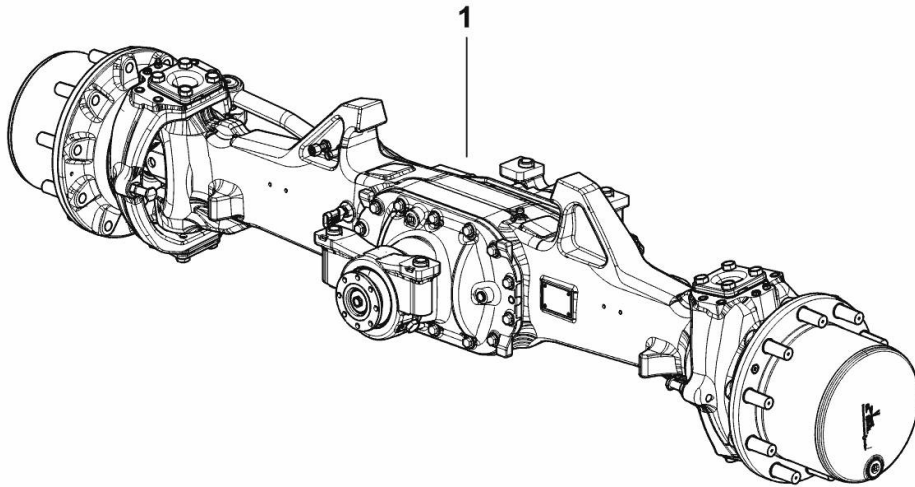
4WD - FRONT DRIVE AXLE

Fig.	P/n	QTY	Name
------	-----	-----	------

Notes:

[IRON 185 DCR HI-LINE -> 20001]

1	0.015.3567.4	1	axle (20005 <-) ☞ 0.015.3567.4 ☞ 0.015.3567.4 ☞ 0.015.3567.4 ☞ 0.015.3567.4 ☞ 0.015.3567.4 ☞ 0.015.3567.4 ☞ 0.015.3567.4 ☞ 0.015.3567.4
1	0.015.3567.4/20	1	complete axle ☞ 0.015.3567.4/20 ☞ 0.015.3567.4/20 ☞ 0.015.3567.4/20 ☞ 0.015.3567.4/20 ☞ 0.015.3567.4/20 ☞ 0.015.3567.4/20 ☞ 0.015.3567.4/20



K9_J3143_00_0-A-001

4WD - FRONT DRIVE AXLE

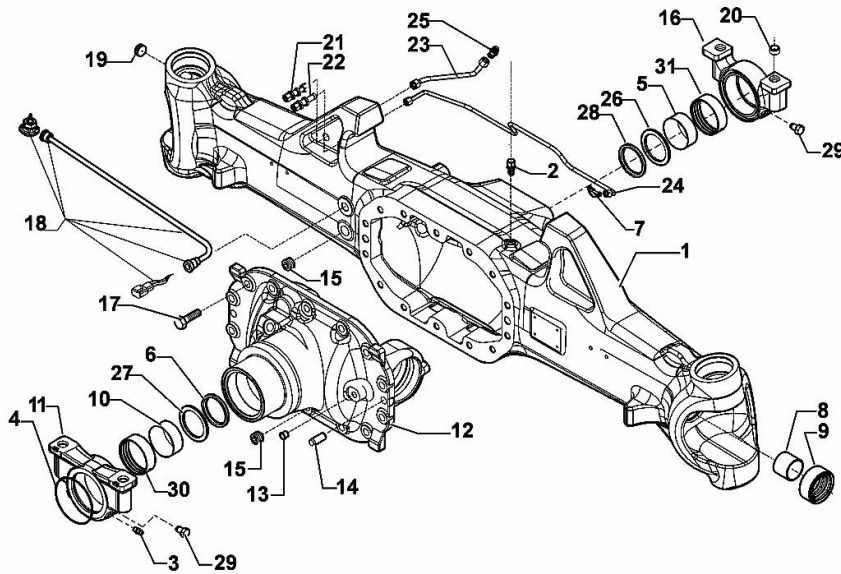
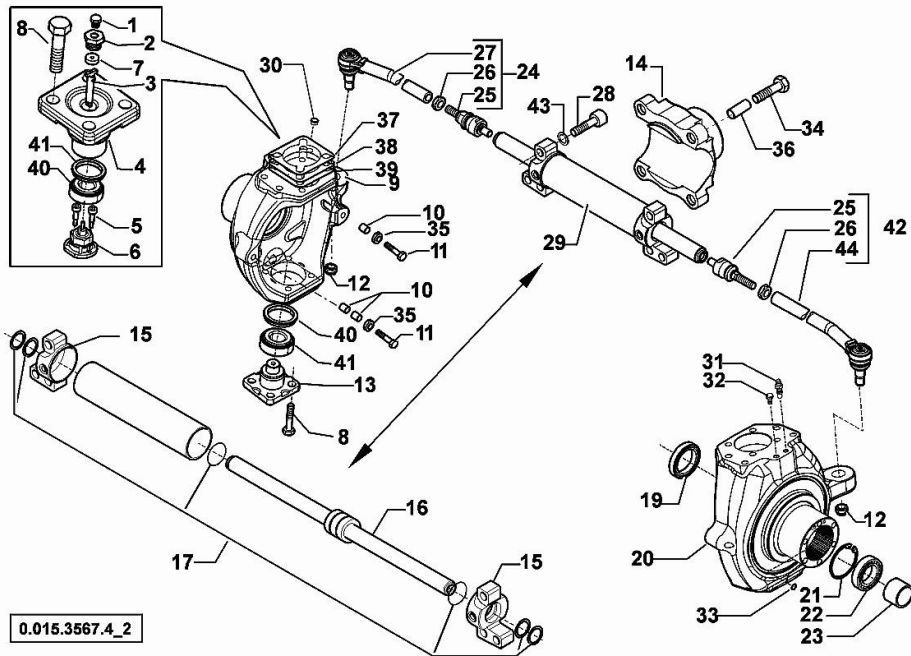


Fig.	P/n	QTY	Name
1	0.900.0892.9	1	front axle
2	0.900.0079.8	1	breather m 10 p.1
3	0.900.0094.2	1	grease gun
4	0.900.0893.0	1	oil seal
5	0.900.0703.7	1	bushing
6	0.900.0095.0	1	slewing ring
7	0.900.0107.0	1	pipe fitting
8	0.900.0745.8	2	bearing
9	0.900.0893.1	2	oil seal
10	0.900.1289.6	1	bushing
11	0.900.0893.2	1	support
12	0.900.0893.3	1	support
13	0.900.0893.4	1	plug D1
14	0.900.0081.0	2	pin Ø 15x45
15	0.900.0081.1	2	plug m 24 p.1.5
16	0.900.0893.5	1	support
17	0.900.0081.3	14	screw m14 x 40
18	0.900.0504.8	1	sensor - KIT
19	0.900.0081.6	1	plug m 26 p.1.5
20	0.900.0893.6	4	bush
21	0.900.0081.7	1	pipe fitting
22	0.900.0081.8	1	pipe fitting
23	0.900.0893.7	1	tube
24	0.900.0893.8	1	tube
25	0.900.0893.9	1	pipe fitting
26	0.900.0894.0	1	oil seal
27	0.900.0095.3	1	circlip
28	0.900.0894.1	1	slewing ring
29	0.900.0095.6	2	screw
30	0.900.0095.2	1	bushing
31	0.900.0894.2	1	bushing

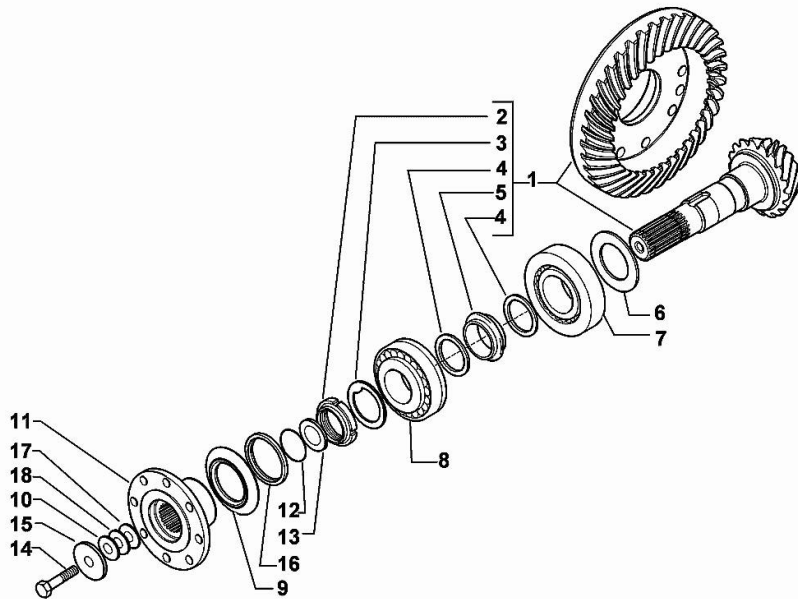
STEERING CYLINDER

Fig.	P/n	QTY	Name
1	0.900.0894.3	2	plug
2	0.900.0082.4	2	screw m 20 p.1.5
3	0.900.0502.3	1	shaft
4	0.900.0894.4	1	pin
5	0.900.0082.7	2	screw m 4 x 10
7	0.900.0502.7	1	washer
8	0.900.0894.5	16	screw m6 x 8
9	0.900.0899.9	1	fork sx/lh/li
10	0.900.0894.7	2	bush
11	0.900.0894.8	2	screw
12	0.900.0096.2	2	nut M24x1.5
13	0.900.0894.9	3	pin
14	0.900.0895.0	1	support
15	0.900.1134.5	2	rod-head
16	0.900.1134.6	1	stem
17	0.900.0950.2	1	gasket set
19	0.900.0895.2	2	oil seal
20	0.900.0895.3	1	fork dx/rh/re
21	0.900.0545.3	2	ring
22	0.900.0895.4	2	bearing
23	0.900.0895.5	2	spacer
24	0.900.0895.6	1	rod sx/lh/li
25	0.900.0084.5	2	ball joint
26	0.900.0084.6	2	nut m 24x10
27	0.900.0895.7	1	rod
28	0.900.0553.3	6	screw
29	0.900.0895.1	1	jack
30	0.900.0085.0	8	plug
31	0.900.0112.6	2	breather m10 p.1
32	0.900.0895.8	2	plug m 10 p.1
33	0.900.0503.9	4	oil seal
34	0.900.0895.9	4	screw m 16 x 20
35	0.900.0537.4	4	nut
36	0.900.0093.2	4	bush 20 x 17 x 12
37	0.900.0896.0	2	shim
38	0.900.0896.1	2	shim
39	0.900.0896.2	2	shim
40	0.900.0896.3	3	oil seal
41	0.900.0896.4	3	bearing
42	0.900.0896.5	1	rod dx/rh/re
43	0.900.0896.6	6	washer
44	0.900.0896.7	1	rod



BEVEL WHEEL GEAR

Fig.	P/n	QTY	Name
1	0.900.0896.8	1	bevel drive Z = 16/44
2	0.900.0085.5	1	ring nut m 40 p.1.5
3	0.900.0085.6	1	washer
4	0.900.0085.7	2	washer
5	0.900.0108.1	1	spacer
6	0.900.0099.3		shim 2.50
6	0.900.0099.4		shim 2.60
6	0.900.0099.5		shim 2.70
6	0.900.0099.6		shim 2.80
6	0.900.0099.7		shim 2.90
6	0.900.0099.8		shim 3.00
6	0.900.0099.9		shim 3.10
6	0.900.0100.0		shim 3.20
6	0.900.0100.1		shim 3.30
6	0.900.0100.2		shim 3.40
7	0.900.0099.1	1	bearing
8	0.900.0086.9	1	bearing
9	0.900.0099.0	1	cover
10	0.900.0896.9	1	shim
11	0.900.0897.0	1	flange
12	0.900.0554.6	1	ring
13	0.900.1169.6	1	disc
14	0.900.0098.8	1	screw m 12 x 25
15	0.900.0098.6	1	washer
16	0.900.0895.2	1	oil seal
17	0.900.0897.2	1	shim
18	0.900.0897.3	1	shim



0.015.3567.4_3

Thank you so much for reading.
Please click the “Buy Now!”
button below to download the
complete manual.



After you pay.

You can download the most
perfect and complete manual in
the world immediately.

Our support email:

ebooklibonline@outlook.com