

Section: ENGINE

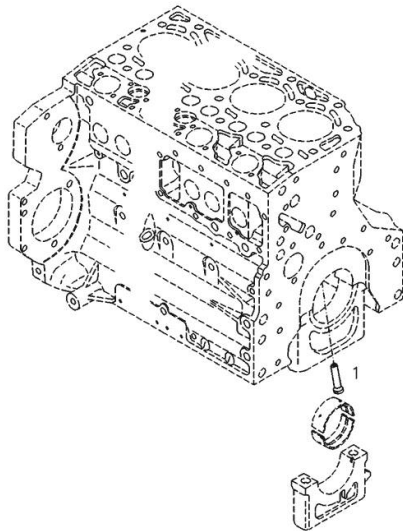
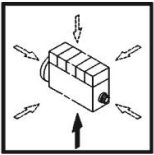
PISTON COOL.NOZZLE

| Fig. | P/n | QTY | Name |
|------|-----|-----|------|
|------|-----|-----|------|

Notes:
[IRON 190 S]

Engine serial number:
859205 859206 859207 859208 859209 861108 861109 861110 861111 861112 861113 861114 875554 875555 875556
875557 875558 875559 875560 875561 890218

| | | | |
|---|----------|---|----------|
| 1 | 04207521 | 1 | sprayers |
|---|----------|---|----------|



001 ©

0507 2355

Section: ENGINE

FRONT COVER

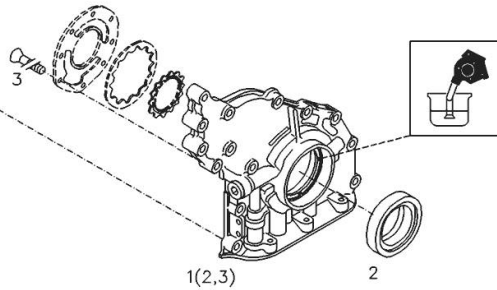
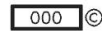
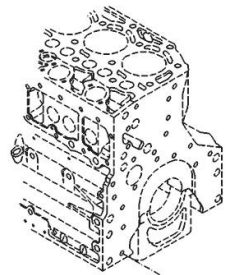
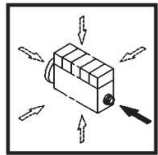
| Fig. | P/n | QTY | Name |
|------|-----|-----|------|
|------|-----|-----|------|

Notes:
[IRON 190 S]

Engine serial number:

859205 859206 859207 859208 859209 861108 861109 861110 861111 861112 861113 861114 875554 875555 875556
875557 875558 875559 875560 875561 890218 954488 954489 954490 954491 954492 954493 954494 954495 954496
954497 974668 974669 974670 974671 974672 974673 974674 974675 974676 974677

| | | | |
|---|----------|---|----------------------------------|
| 1 | 04259226 | 1 | cover WITH ITEM (2,3) |
| 2 | 04253373 | 1 | oil seal |
| 3 | 01133718 | 8 | screw DIN 7991 -M6X16-8.8-A4C |



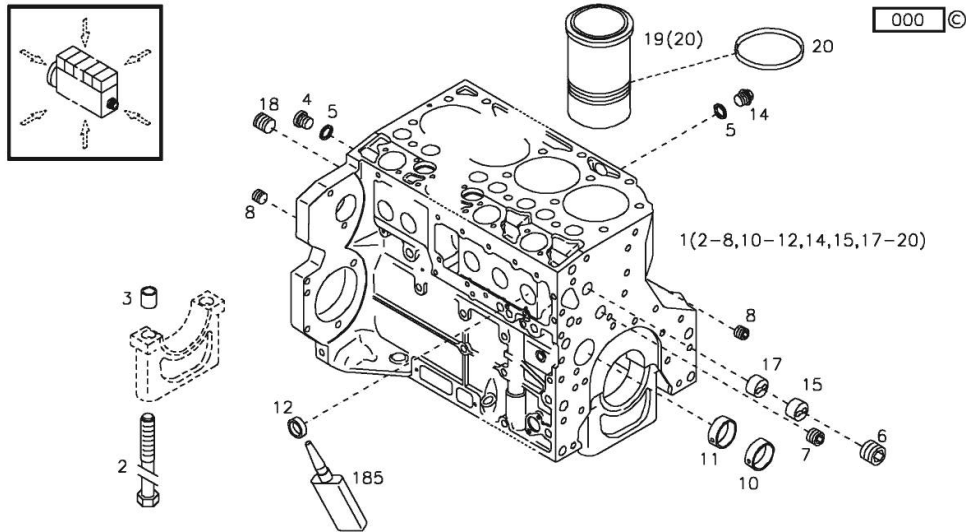
Section: ENGINE
CRANKCASE

| Fig. | P/n | QTY | Name |
|------|-----|-----|------|
|------|-----|-----|------|

Notes:
 [IRON 190 S]

Engine serial number:

859205 859206 859207 859208 859209 861108 861109 861110 861111 861112 861113 861114 861114 875554 875555 875556
 875557 875558 875559 875560 875561 890218 954488 954489 954490 954491 954492 954493 954494 954495 954496
 954497 974668 974669 974670 974671 974672 974673 974674 974675 974676 974677



| | | | |
|-----|----------|----|--|
| 1 | 04282827 | 1 | crankcase WITH ITEM (2-8,10-12,14,15,17-20) |
| 2 | 04251254 | 14 | screw |
| 3 | 04200078 | 14 | bushing |
| 4 | 01110423 | 2 | screw |
| 5 | 01118693 | 4 | gasket 14x20 |
| 6 | 01182033 | 1 | screw |
| 7 | 01182032 | 1 | screw |
| 8 | 01182031 | 2 | screw |
| 10 | 04200021 | 6 | bushing |
| 11 | 04200022 | 1 | bushing |
| 12 | 01179635 | 10 | plug |
| 14 | 01100940 | 2 | screw |
| 15 | 04202518 | 1 | sleeve |
| 17 | 04202517 | 1 | sleeve |
| 18 | 01181155 | 1 | plug |
| 19 | 04282014 | 6 | cylinder liner WITH ITEM (20) 032 (021-025,031,141) |
| 20 | 01181178 | 12 | special oil seal |
| 185 | 01016127 | 1 | sealing compound ml. 50 |

Section: ENGINE

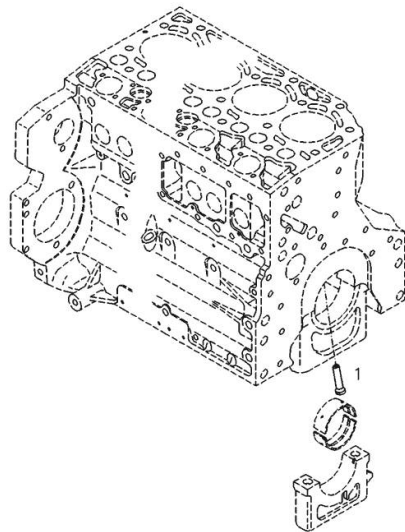
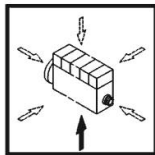
PISTON COOL.NOZZLE

| Fig. | P/n | QTY | Name |
|------|-----|-----|------|
|------|-----|-----|------|

Notes:
[IRON 190 S]

Engine serial number:
954488 954489 954490 954491 954492 954493 954494 954495 954496 954497 974668 974669 974670 974671 974672
974673 974674 974675 974676 974677

| | | | |
|---|----------|---|----------------|
| 1 | 04203930 | 6 | sprayer nozzle |
|---|----------|---|----------------|



001 ©

0507 0470

Section: ENGINE

BLEEDING TUBE

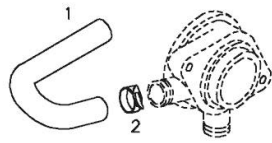
| Fig. | P/n | QTY | Name |
|------|-----|-----|------|
|------|-----|-----|------|

Notes:
[IRON 190 S]

Engine serial number:
954488 954489 954490 954491 954492 954493 954494 954495 954496 954497 974668 974669 974670 974671 974672
974673 974674 974675 974676 974677

| | | | |
|---|----------|---|-------|
| 1 | 04198572 | 1 | tube |
| 2 | 01178750 | 1 | clamp |

000 ©



Section: ENGINE

OIL PAN

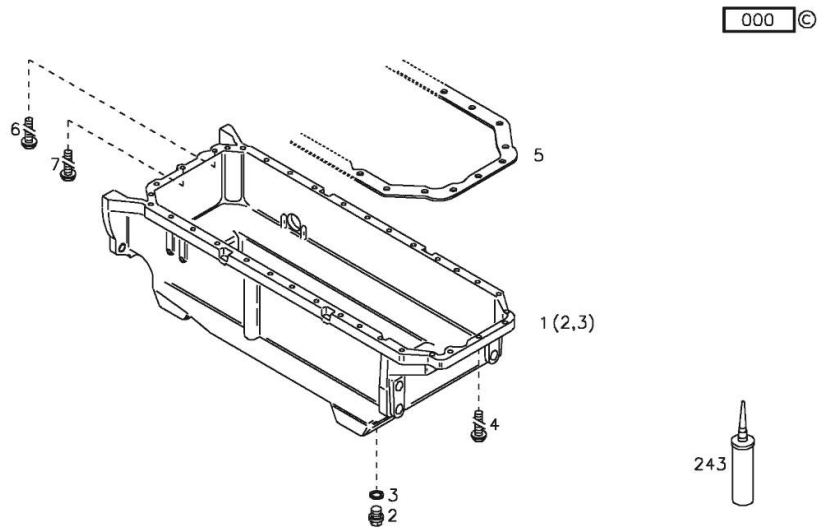
| Fig. | P/n | QTY | Name |
|------|-----|-----|------|
|------|-----|-----|------|

Notes:
[IRON 190 S]

Engine serial number:

859205 859206 859207 859208 859209 861108 861109 861110 861111 861112 861113 861114 875554 875555 875556
875557 875558 875559 875560 875561 890218

| | | | |
|-----|----------|----|-------------------------------------|
| 1 | 04253996 | 1 | oil sump WITH ITEM (2,3) |
| 2 | 01123690 | 1 | screw |
| 3 | 01118718 | 1 | ring 18 x 24 |
| 4 | 01143362 | 27 | screw |
| 5 | 04201000 | 1 | gasket |
| 6 | 01143370 | 6 | screw |
| 7 | 01144463 | 1 | screw |
| 243 | 01016103 | 1 | gasket |



Section: ENGINE

OIL PAN

| Fig. | P/n | QTY | Name |
|------|-----|-----|------|
|------|-----|-----|------|

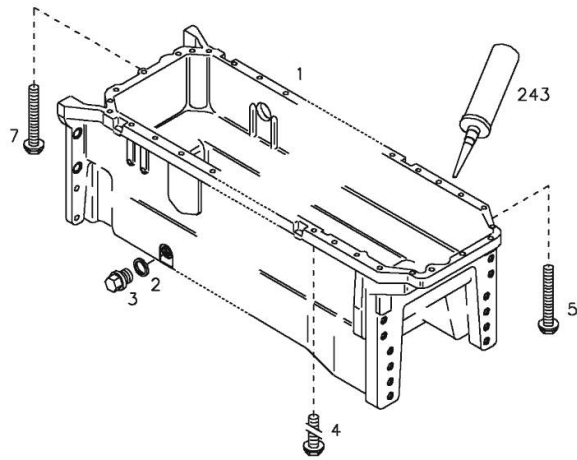
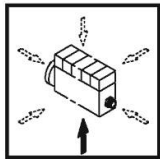
Notes:
[IRON 190 S]

Engine serial number:

954488 954489 954490 954491 954492 954493 954494 954495 954496 954497 974668 974669 974670 974671 974672
974673 974674 974675 974676 974677

| | | | |
|-----|----------|----|-------------------------------------|
| 1 | 04284012 | 1 | oil sump WITH ITEM (2,3) |
| 2 | 01118718 | 1 | ring 18 x 24 |
| 3 | 01133631 | 1 | plug |
| 4 | 01143362 | 27 | screw |
| 5 | 01143370 | 6 | screw |
| 7 | 01144463 | 1 | screw |
| 243 | 01016103 | 1 | gasket |

000 ©



(2,3)

Section: ENGINE
FASTENINGS

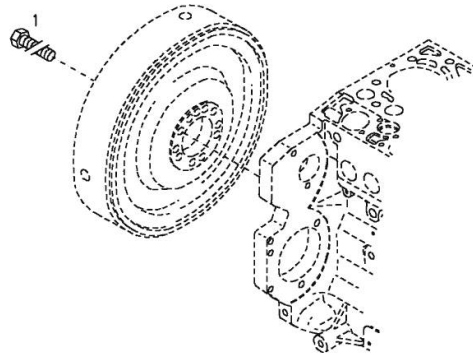
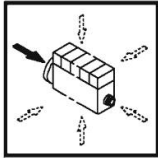
| Fig. | P/n | QTY | Name |
|------|-----|-----|------|
|------|-----|-----|------|

Notes:
 [IRON 190 S]

Engine serial number:
 859205 859206 859207 859208 859209 861108 861109 861110 861111 861112 861113 861114 875554 875555 875556
 875557 875558 875559 875560 875561 890218 954488 954489 954490 954491 954492 954493 954494 954495 954496
 954497 974668 974669 974670 974671 974672 974673 974674 974675 974676 974677

| | | | |
|---|----------|----|-------------------------------|
| 1 | 04204128 | 10 | screw m 10 p.1x35 M10X1X35 |
|---|----------|----|-------------------------------|

001 ©



Section: ENGINE

FLYWHEEL

| Fig. | P/n | QTY | Name |
|------|-----|-----|------|
|------|-----|-----|------|

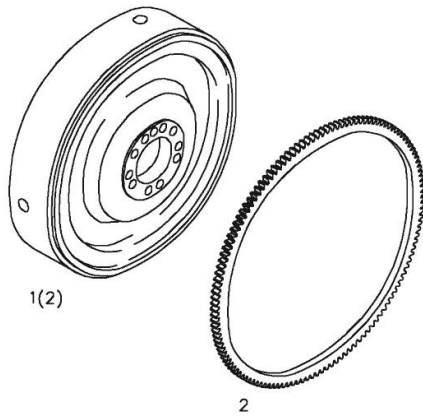
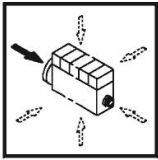
Notes:
[IRON 190 S]

Engine serial number:

859205 859206 859207 859208 859209 861108 861109 861110 861111 861112 861113 861114 875554 875555 875556
875557 875558 875559 875560 875561 890218 954488 954489 954490 954491 954492 954493 954494 954495 954496
954497 974668 974669 974670 974671 974672 974673 974674 974675 974676 974677

| | | | |
|---|----------|---|-----------------------------------|
| 1 | 04208193 | 1 | flywheel WITH ITEM (2) |
| 2 | 02131081 | 1 | crown wheel |

001 ©



Section: ENGINE

V-GROOVED PULLEY

| Fig. | P/n | QTY | Name |
|------|-----|-----|------|
|------|-----|-----|------|

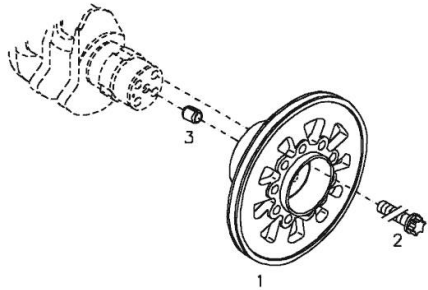
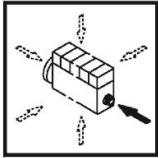
Notes:
[IRON 190 S]

Engine serial number:

859205 859206 859207 859208 859209 861108 861109 861110 861111 861112 861113 861114 875554 875555 875556
875557 875558 875559 875560 875561 890218 954488 954489 954490 954491 954492 954493 954494 954495 954496
954497 974668 974669 974670 974671 974672 974673 974674 974675 974676 974677

| | | | |
|---|----------|---|--------|
| 1 | 04209572 | 1 | pulley |
| 2 | 01181063 | 4 | screw |
| 3 | 01181404 | 1 | bush |

001 ©



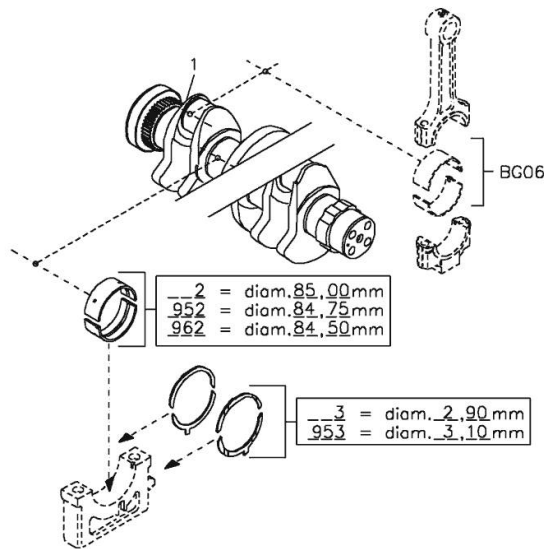
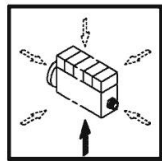
Section: ENGINE
CRANKSHAFT

| Fig. | P/n | QTY | Name |
|------|-----|-----|------|
|------|-----|-----|------|

Notes:
 [IRON 190 S]

Engine serial number:

859205 859206 859207 859208 859209 861108 861109 861110 861111 861112 861113 861114 875554 875555 875556
 875557 875558 875559 875560 875561 890218 954488 954489 954490 954491 954492 954493 954494 954495 954496
 954497 974668 974669 974670 974671 974672 974673 974674 974675 974676 974677



005 ©

| | | | |
|-----|----------|---|--|
| 1 | 04284997 | 1 | crankshaft |
| 2 | 02929430 | 7 | main bearing STANDARD NORMAL (A) MM RD, UNDERSIZE STEP SEE ITEM(B) A = 85.00 MM B = POS. 952,962 |
| 3 | 02929438 | 1 | shoulder ring STANDARD NORMAL (A)MM, OVERSIZE STEP SEE ITEM (B) POS. (B) A = 2.90 MM B 953 |
| 950 | 02929961 | 1 | crankshaft REPLACEMENT PART FOR ITEM (A) COMPL. WITH ITEM (B) COMPL. WITH ITEM (B) B 952,953,954 BZW 962,964 |
| 952 | 02929431 | 1 | main bearing - mm 0.25 1ST UNDERSIZE 1ST UNDERSIZE 1A MEDIDA DE DESGASTE 1ERE COTE EN SOUS-DIMENSION 84.75 MM |
| 953 | 02929439 | 1 | shoulder ring 1ST OVERSIZE 1ST OVERSIZE 1A SOBREMEDIDA 1ERE COTE EN SURDIMENSION 3.10 MM |
| 962 | 02929432 | 1 | main bearing - mm 0.50 2ND UNDERSIZE 84.50 MM |

Section: ENGINE

V-GROOVED PULLEY

| Fig. | P/n | QTY | Name |
|------|-----|-----|------|
|------|-----|-----|------|

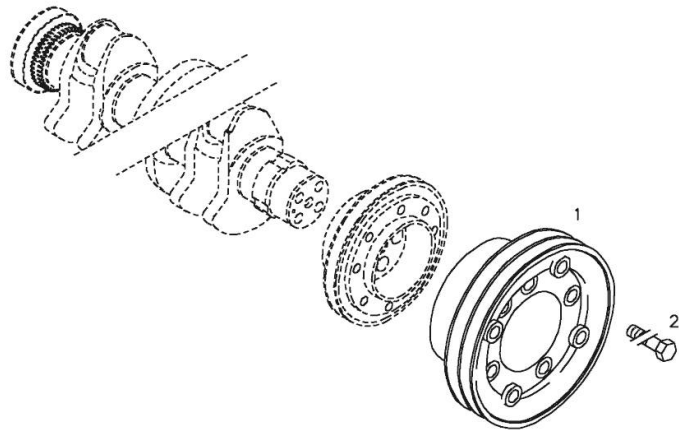
Notes:
[IRON 190 S]

Engine serial number:

859205 859206 859207 859208 859209 861108 861109 861110 861111 861112 861113 861114 875554 875555 875556
875557 875558 875559 875560 875561 890218 954488 954489 954490 954491 954492 954493 954494 954495 954496
954497 974668 974669 974670 974671 974672 974673 974674 974675 974676 974677

000 ©

| | | | |
|---|----------|---|---|
| 1 | 04209691 | 1 | pulley |
| 2 | 01139427 | 5 | screw DIN 000931- M10 X 90 - 10.9-OELGESCHW. |



Section: ENGINE

VIBRATION DAMPER

| Fig. | P/n | QTY | Name |
|------|-----|-----|------|
|------|-----|-----|------|

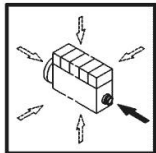
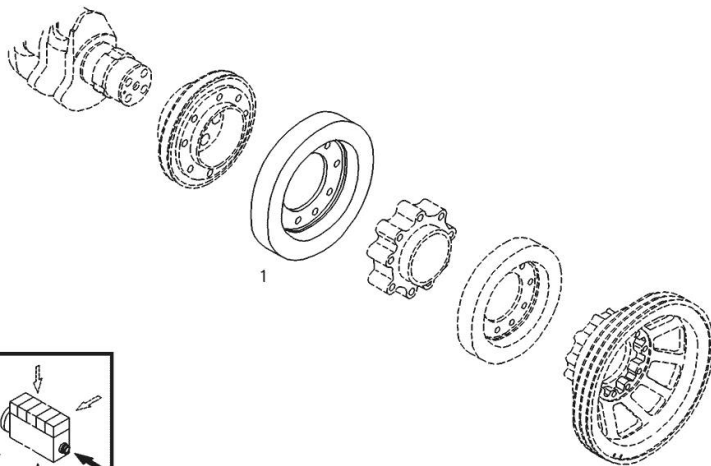
Notes:
[IRON 190 S]

Engine serial number:

859205 859206 859207 859208 859209 861108 861109 861110 861111 861112 861113 861114 875554 875555 875556
875557 875558 875559 875560 875561 890218 954488 954489 954490 954491 954492 954493 954494 954495 954496
954497 974668 974669 974670 974671 974672 974673 974674 974675 974676 974677

| | | | |
|---|----------|---|------------------|
| 1 | 04209097 | 1 | vibration damper |
|---|----------|---|------------------|

000



0507 4482

Section: ENGINE

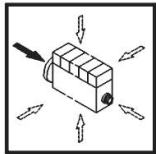
PLUG

| Fig. | P/n | QTY | Name |
|------|-----|-----|------|
|------|-----|-----|------|

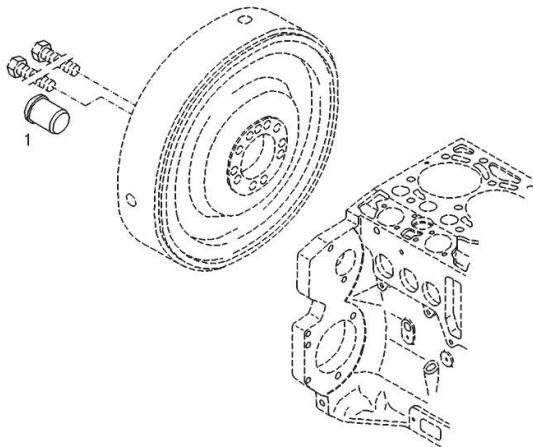
Notes:
[IRON 190 S]

Engine serial number:
954488 954489 954490 954491 954492 954493 954494 954495 954496 954497 974668 974669 974670 974671 974672
974673 974674 974675 974676 974677

| | | | |
|---|----------|---|--------------------------------------|
| 1 | 01175750 | 5 | plug H 2873 -E10,7X5,5-PEWEICH-SW |
|---|----------|---|--------------------------------------|



000



0507 2759

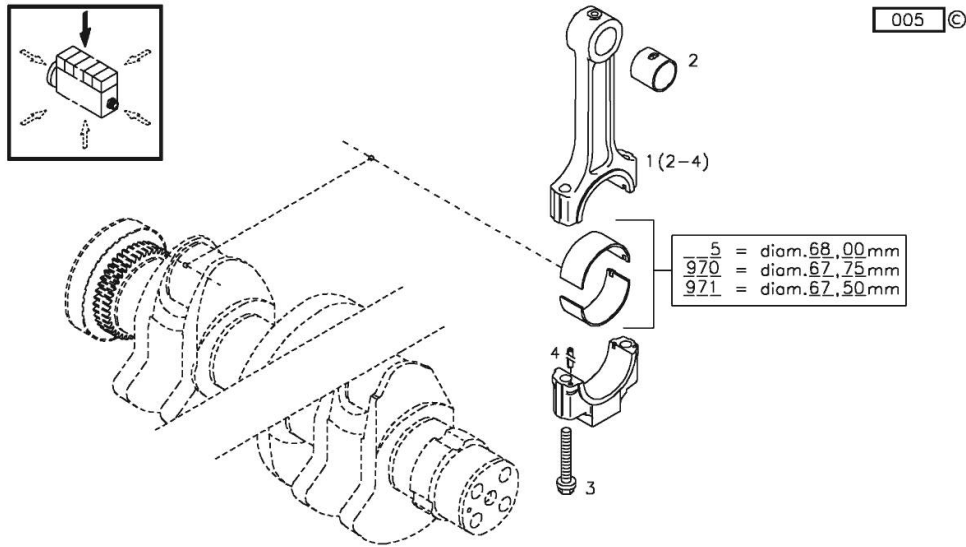
Section: ENGINE
CONNECTING ROD

| Fig. | P/n | QTY | Name |
|------|-----|-----|------|
|------|-----|-----|------|

Notes:
 [IRON 190 S]

Engine serial number:

859205 859206 859207 859208 859209 861108 861109 861110 861111 861112 861113 861114 875554 875555 875556
 875557 875558 875559 875560 875561 890218 954488 954489 954490 954491 954492 954493 954494 954495 954496
 954497 974668 974669 974670 974671 974672 974673 974674 974675 974676 974677



| | | | |
|-----|----------|---|--|
| 1 | 04200465 | 1 | engine connecting rod WITH ITEM (2-4) |
| 2 | 04200024 | 1 | bushing |
| 3 | 04200468 | 2 | screw |
| 4 | 01144447 | 2 | pin ISO 8752 -5X10-ST |
| 5 | 02931473 | 1 | conrod bearing NORMAL (A) MM RD, UNDERSIZE STEP SEE ITEM(B) A = 68 mm B = Pos.970,971 |
| 970 | 02931474 | 1 | conrod bearing 1ST UNDERSIZE 1ST UNDERSIZE 1A MEDIDA DE DESGASTE 1ERE COTE EN SOUS-DIMENSION 67.75 MM |
| 971 | 02931475 | 1 | conrod bearing 2ND UNDERSIZE 67.50 MM |

Thank you so much for reading.
Please click the “Buy Now!”
button below to download the
complete manual.



After you pay.

You can download the most
perfect and complete manual in
the world immediately.

Our support email:

ebooklibonline@outlook.com