

IRON³ 190 DCR ->ZKDS7802W0LS10010

Section: G0 - BODYWORK - CAB

Ref: G0.09.0 (2)

CONDENSER AND FILTER

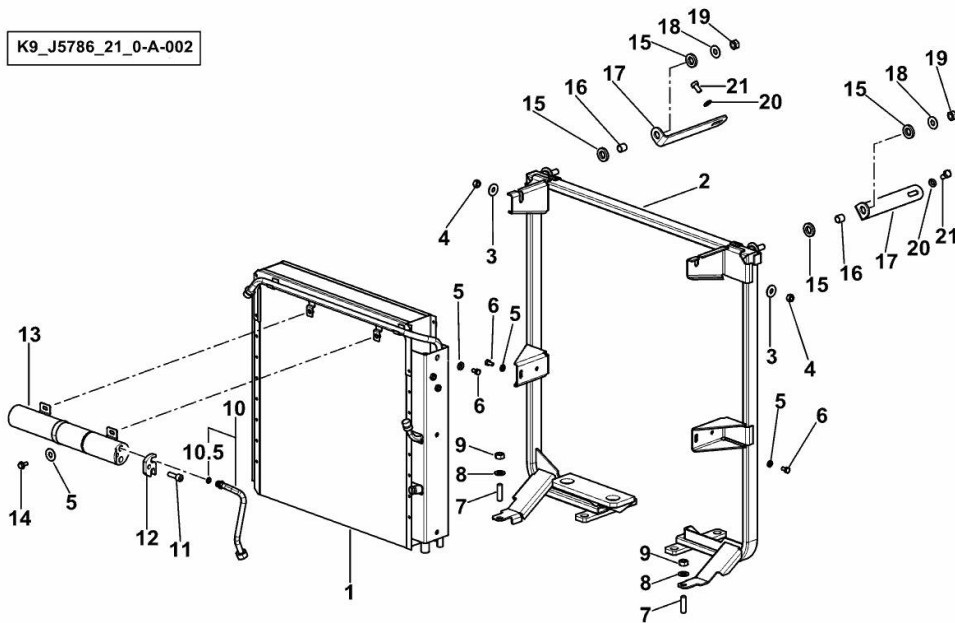
Fig.	P/n	QTY	Name
------	-----	-----	------

Notes:

[IRON³ 190 DCR ->ZKDS7802W0LS10010]

1	0.016.1816.4/10	1	condenser
2	0.016.4187.4/40	1	chassis frame
3	2.1312.004.2	2	washer 8x24x2
4	2.0112.205.2	4	screw m 8 p.1.25 x 16
5	2.1310.002.2	5	flat washer 6.4x12.5
6	2.0112.003.2	5	screw m 6 p.1 x 12
7	2.0422.303.2	2	stud bolt m 10 p.1.5 x 20
8	2.1475.003.2	4	washer 10
9	2.1011.106.2	4	nut m 10 p.1.5
10	0.015.6507.4	1	tube
10.5	2.1539.249.0	1	gasket
11	2.0312.208.2	1	screw m 8 p.1.25 x 25
12	0.015.4226.0/20	1	spacer
13	0.015.4222.4/30	1	filter R 134a
15	0.136.7387.0	4	rubber plug
16	2.1549.062.2	2	spacer 11x14x13
17	0.016.3326.0	2	bracket
18	2.1599.044.2	2	shoulder ring
19	2.1011.421.2	2	nut m 10 p.1.25
20	2.1310.004.2	5	flat washer 8.4x17
21	2.0112.205.2	2	screw m 8 p.1.25 x 16 (10010 <-)

K9_J5786_21_0-A-002



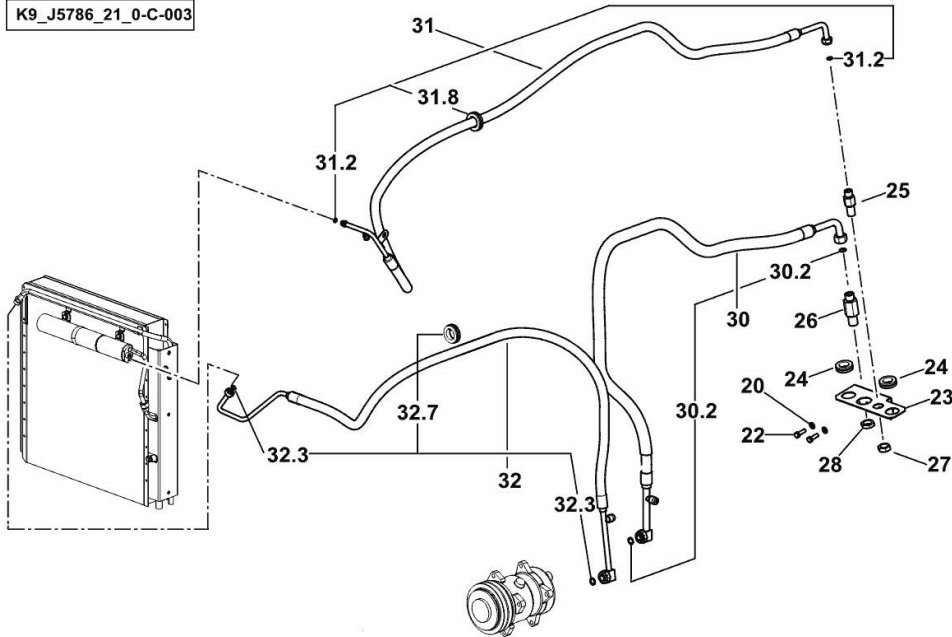
AIR CONDITIONING SYSTEM

Fig.	P/n	QTY	Name
------	-----	-----	------

Notes:

[IRON³ 190 DCR ->ZKDS7802W0LS10010]

K9_J5786_21_0-C-003



20	2.1310.004.2	5	flat washer 8.4x17
22	2.0112.209.2	2	screw m 8 p 1.25 x 25
23	0.017.1782.0	1	bracket
24	2.6560.020.0	2	grommet 25x2.5
25	0.017.1330.0	1	pipe fitting
26	0.017.1328.0	1	pipe fitting
27	2.1099.077.2	1	nut
28	2.1099.098.2	1	special nut 7/8"-14
30	0.016.6741.3/20	1	tube
30.2	2.1533.035.0	2	oil seal 14x1.78
31	0.016.4117.3/30	1	tube
31.2	2.1533.025.0	1	oil seal 10.82x1.78
31.8	2.6560.023.0	1	wire guide
32	0.016.4118.3/30	1	tube
32.3	2.1533.035.0	1	oil seal 14x1.78
32.7	2.6560.023.0	1	wire guide

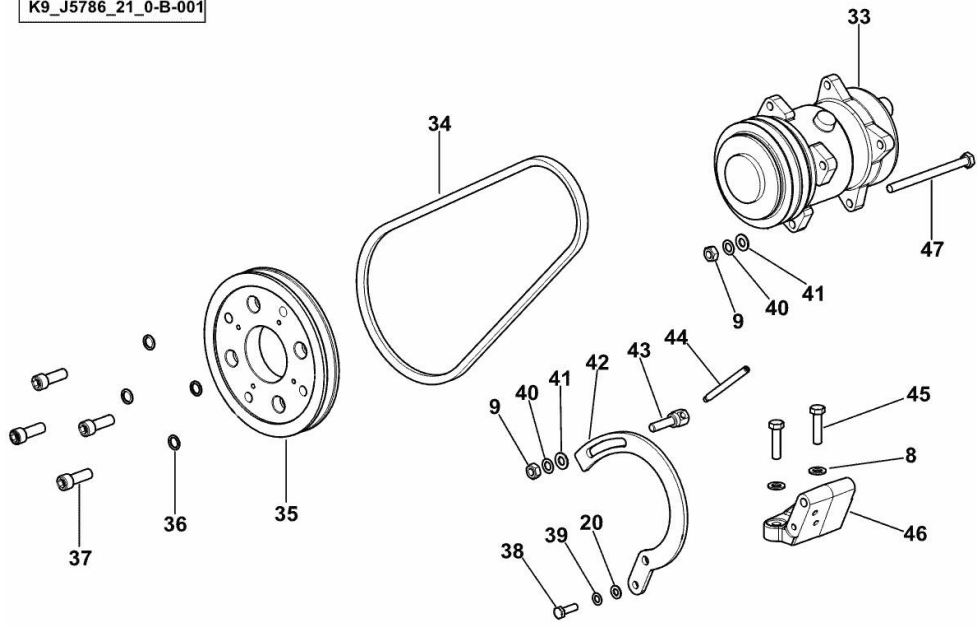
COMPRESSOR

Fig.	P/n	QTY	Name
------	-----	-----	------

Notes:

[IRON³ 190 DCR ->ZKDS7802W0LS10010]

K9_J5786_21_0-B-001



8	2.1475.003.2	4	washer 10
9	2.1011.106.2	4	nut m 10 p.1.5
20	2.1310.004.2	5	flat washer 8.4x17
33	04437339/10	1	compressor R 134a ☞ 04437339/10
34	2.4119.092.0	1	vee belt AV 13x1090 mm
35	0.014.8785.0/10	1	pulley (10021 <-)
35	0.017.8353.0	1	pulley (-> 10023)
36	2.1480.016.2	4	washer 12
37	2.0312.412.2	4	screw m 12 p.1.75x35 (10021 <-)
37	2.0313.412.2	4	screw m 12 p.1.75x35 (-> 10023)
38	2.0114.209.2	1	screw m 8 x 25
39	2.1470.004.2	1	lock washer 8
40	2.1470.006.2	2	lock washer 10
41	2.1310.006.2	2	flat washer 10.5x21
42	0.014.9921.2	1	bracket
43	2.0399.222.2	1	screw m 10 p.1.5 x 35
44	2.0399.221.2	1	screw m 8 p.1.25 x 95
45	2.0114.315.2	2	screw m 10 p.1.5 x 40
46	0.014.9918.0/10	1	support
47	2.0112.335.2	1	screw m 10 p.1.5 x 130

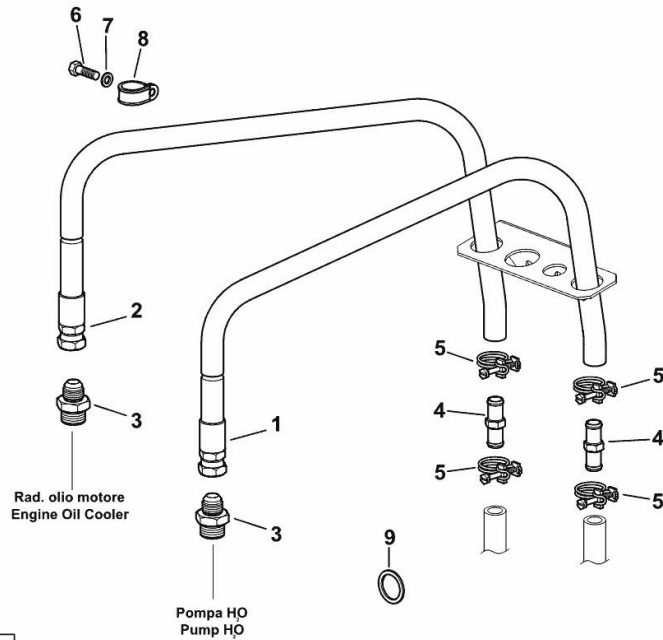
HEATING - PIPES

Fig.	P/n	QTY	Name
------	-----	-----	------

Notes:

[IRON³ 190 DCR ->ZKDS7802W0LS10010]

1	0.015.5860.3	1	tube
2	0.013.2397.3	1	tube
3	2.3249.080.2	2	pipe fitting m 26 p.1.5 - 7/8" 14 JIC
4	2.3249.661.0	2	pipe fitting
5	2.6859.102.0	4	clamp Ø 18.5/22
6	2.0112.205.2	1	screw m 8 p.1.25 x 16
7	2.1310.004.2	1	flat washer 8.4x17
8	2.6839.054.0	1	clamp Ø 20/25
9	2.1569.068.0	2	gasket 26.3x34



K9_J2386_13_0-A-001

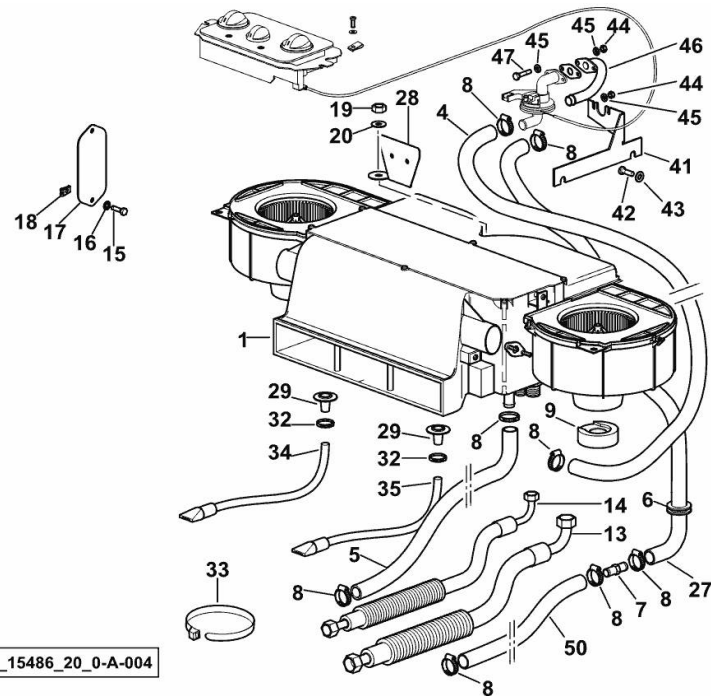
MANUAL CLIMATE CONTROL SYSTEM

Fig.	P/n	QTY	Name
------	-----	-----	------

Notes:

[IRON³ 190 DCR ->ZKDS7802W0LS10010]

1	0.010.9139.4/50	1	air-conditioning sys. ☞ 0.010.9139.4/50
4	0.011.3189.0	1	tube
5	0.011.8070.0/20	1	tube
6	2.6569.047.0	1	rubber plug
7	2.3249.661.0	1	pipe fitting
8	2.6859.052.2	8	clamp
9	0.014.8200.0	2	block
13	0.011.8071.3/20	1	tube
14	0.011.8072.3/20	1	tube
15	2.0112.007.2	2	screw m 6 p.1 x 20
16	2.1470.002.2	2	lock washer 6
17	0.011.3788.0	1	plate
18	2.6999.064.6	2	special nut m 6
19	2.1011.105.2	1	nut m 8 p.1.25
20	2.1470.004.2	1	lock washer 8
27	0.011.5700.2/10	1	tube
28	04453445	1	bracket
29	0.013.0425.0	2	tube
32	2.6851.001.0	2	clamp Ø 16/25
33	2.6852.203.0	1	clamp 292 x 4.8
34	0.013.0441.3	1	tube
35	0.013.0441.3	1	tube
41	0.011.5788.0/10	1	support
42	2.0362.311.3	2	screw m 8 x 40
43	2.1310.004.2	2	flat washer 8.4x17
44	2.1011.103.2	4	nut m 6 p.1
45	2.1310.002.2	2	flat washer 6.4x12.5
46	0.011.5956.2/20	1	tube
47	2.0112.011.2	2	screw m 6 p.1x30
50	0.012.9548.0	1.25	tube 16x25



AIR CONDITIONER CONTROLS UNIT

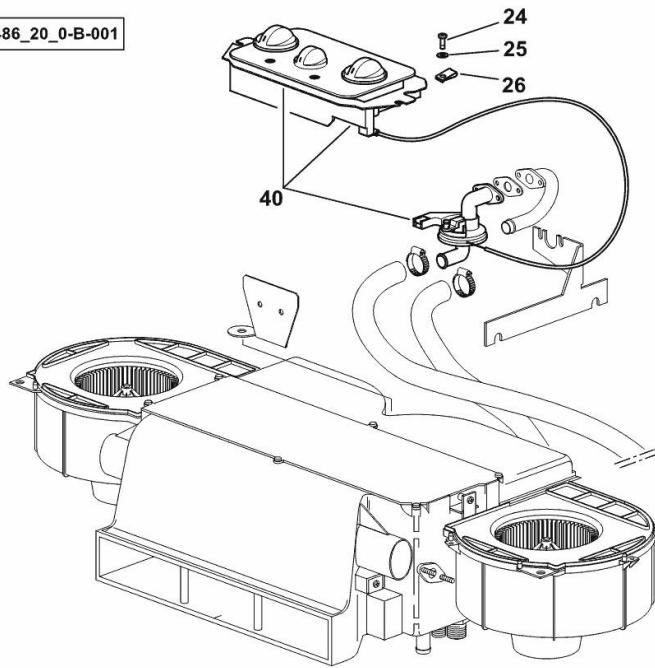
Fig.	P/n	QTY	Name
------	-----	-----	------

Notes:

[IRON³ 190 DCR ->ZKDS7802W0LS10010]

24	2.0350.456.3	4	screw
25	2.1310.001.3	4	washer 5.3 x 10
26	2.6999.061.0	4	clip 4.2
40	0.011.5793.4	1	controls assembly ☞ 0.011.5793.4

K9_15486_20_0-B-001



AIR CONDITIONER PARTS

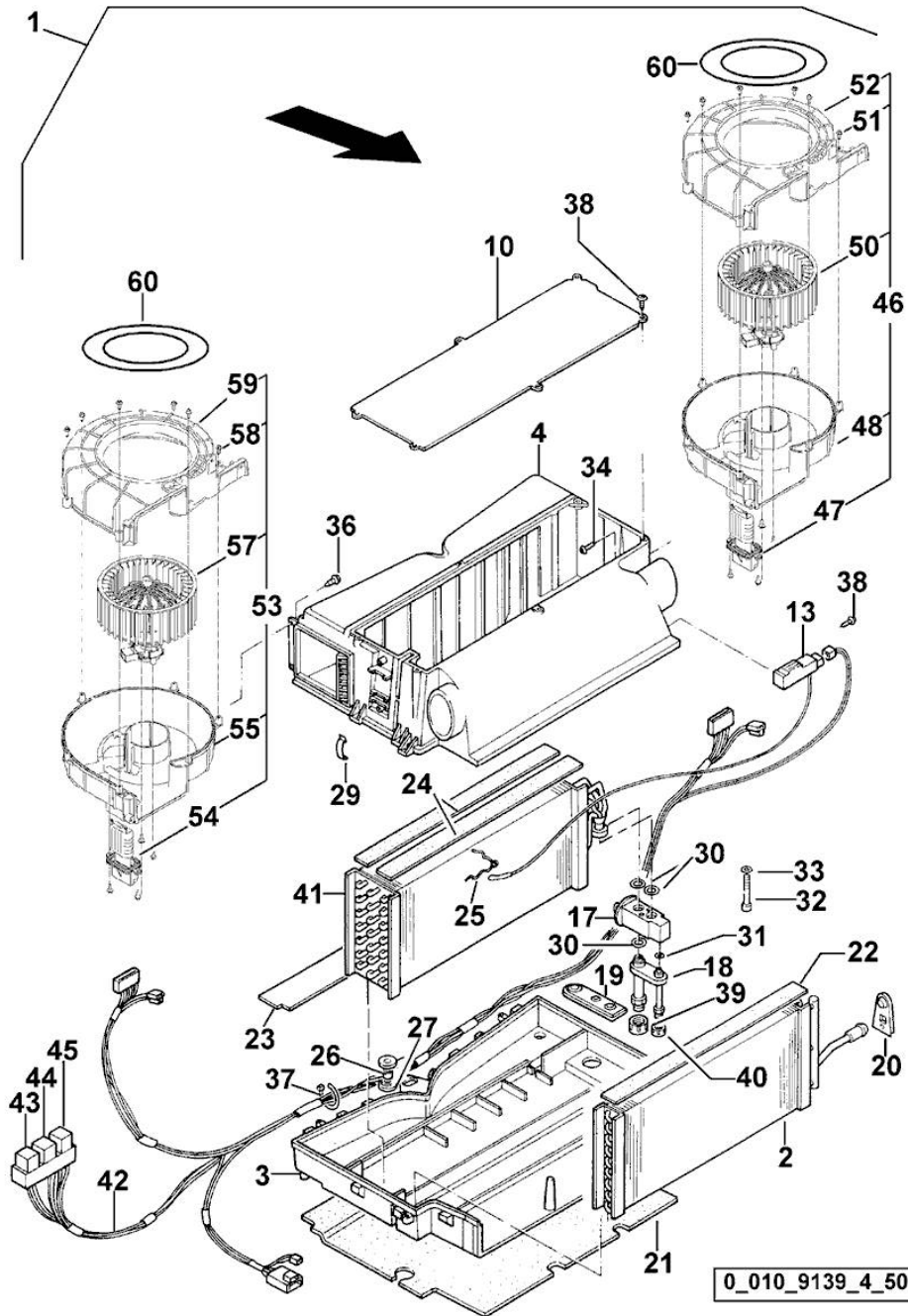


Fig.	P/n	QTY	Name
1	0.010.9139.4/50	1	air-conditioning sys.
2	0.900.0784.0	1	radiator
3	0.010.2534.1	1	box
4	0.010.2534.2	1	box
10	0.010.2536.2	1	cover
13	0.900.0793.4	1	thermostat
17	0.010.2091.0	1	valve R 134
18	0.010.2538.2	1	pipe fitting
19	0.010.2539.0	1	gasket
20	0.010.2539.1	1	gasket
21	0.010.2539.2	1	gasket
22	0.010.2540.0	1	gasket
23	0.010.2540.1	1	division
24	0.010.2540.0	2	gasket
25	0.010.2540.2	1	clip
26	0.98538.71.1	1	spacer
27	0.010.2541.0	2	rubber plug
29	0.010.2541.2	11	clip
30	0.010.2128.1	3	gasket
31	0.010.2542.0	1	special oil seal
32	0.010.2542.1	2	screw m 6 x 50
33	0.010.2542.2	2	washer 6, d128
34	0.010.2543.0	2	screw m 3.5x16
36	0.010.2543.2	14	screw m 3.5x12
37	0.010.2544.0	3	clamp
38	0.010.2543.2	5	screw m 3.5x12
39	0.010.2544.1	1	plug
40	0.010.2544.2	1	plug
41	0.900.0783.9	1	radiator
42	0.900.0783.8	1	electric cable
43	0.010.3317.2	1	relay 15A NA BROWN
44	0.010.3318.0	1	relay 20A NA WHITE
45	0.900.0049.4	1	relay 20A NA BLACK
46	0.000.0000.1	1	cannot be supplied
47	0.010.2535.1	1	resistance
48	0.900.2350.4	1	screw conveyor
50	0.900.0035.3	1	fan dx/rh/re WHITE
51	0.900.0782.2	10	screw 4 x 12
52	0.900.0782.0	1	screw conveyor
53	0.000.0000.1	1	cannot be supplied

AIR CONDITIONER PARTS

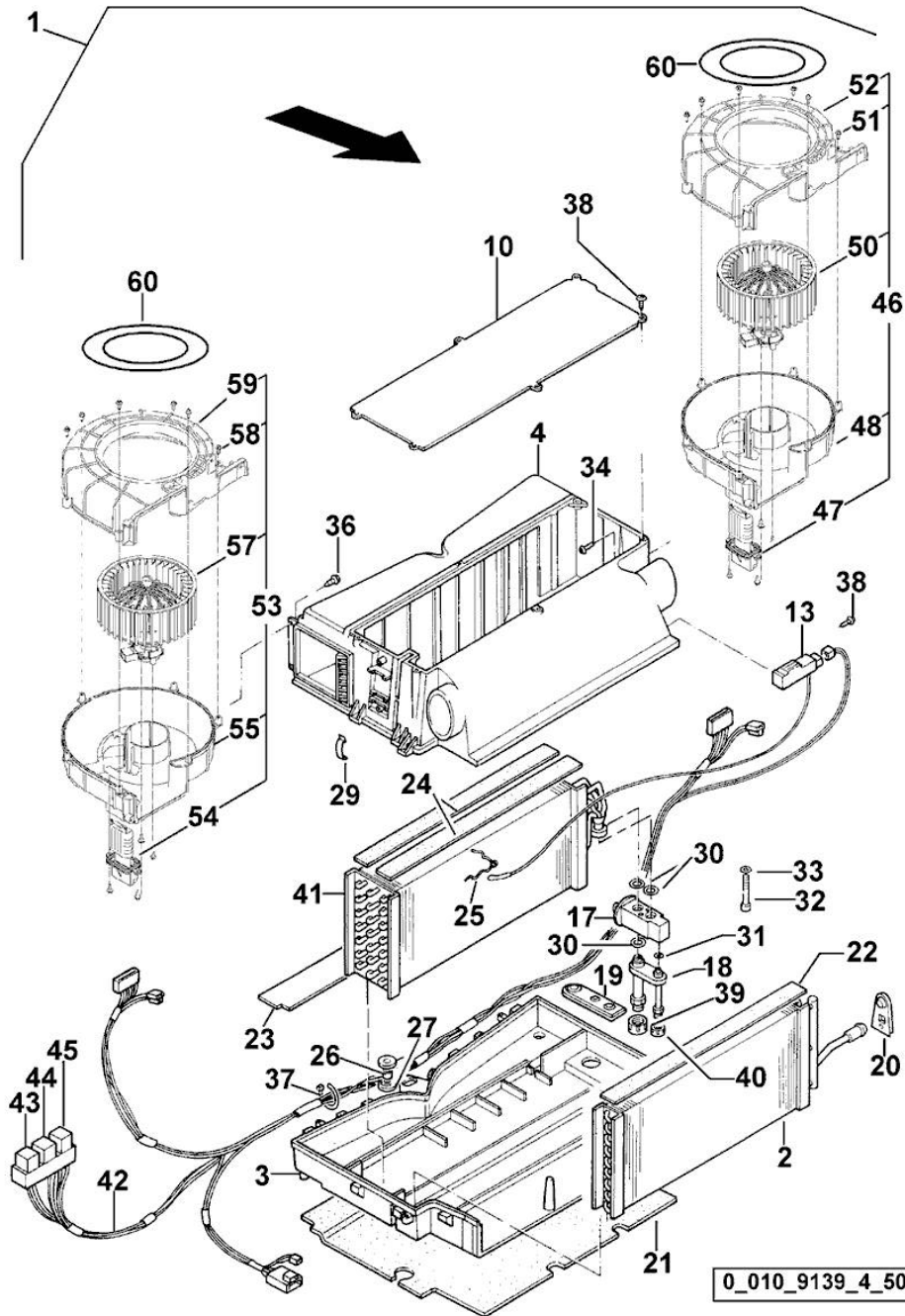


Fig.	P/n	QTY	Name
54	0.900.0782.4	1	resistance
55	0.900.0967.7	1	screw conveyor
57	0.900.0035.4	1	fan sx/lh/li GREEN
58	0.900.0782.2	10	screw 4 x 12
59	0.900.0967.9	1	screw conveyor
60	0.900.0783.4	1	gasket

AIR CONDITIONER PARTS

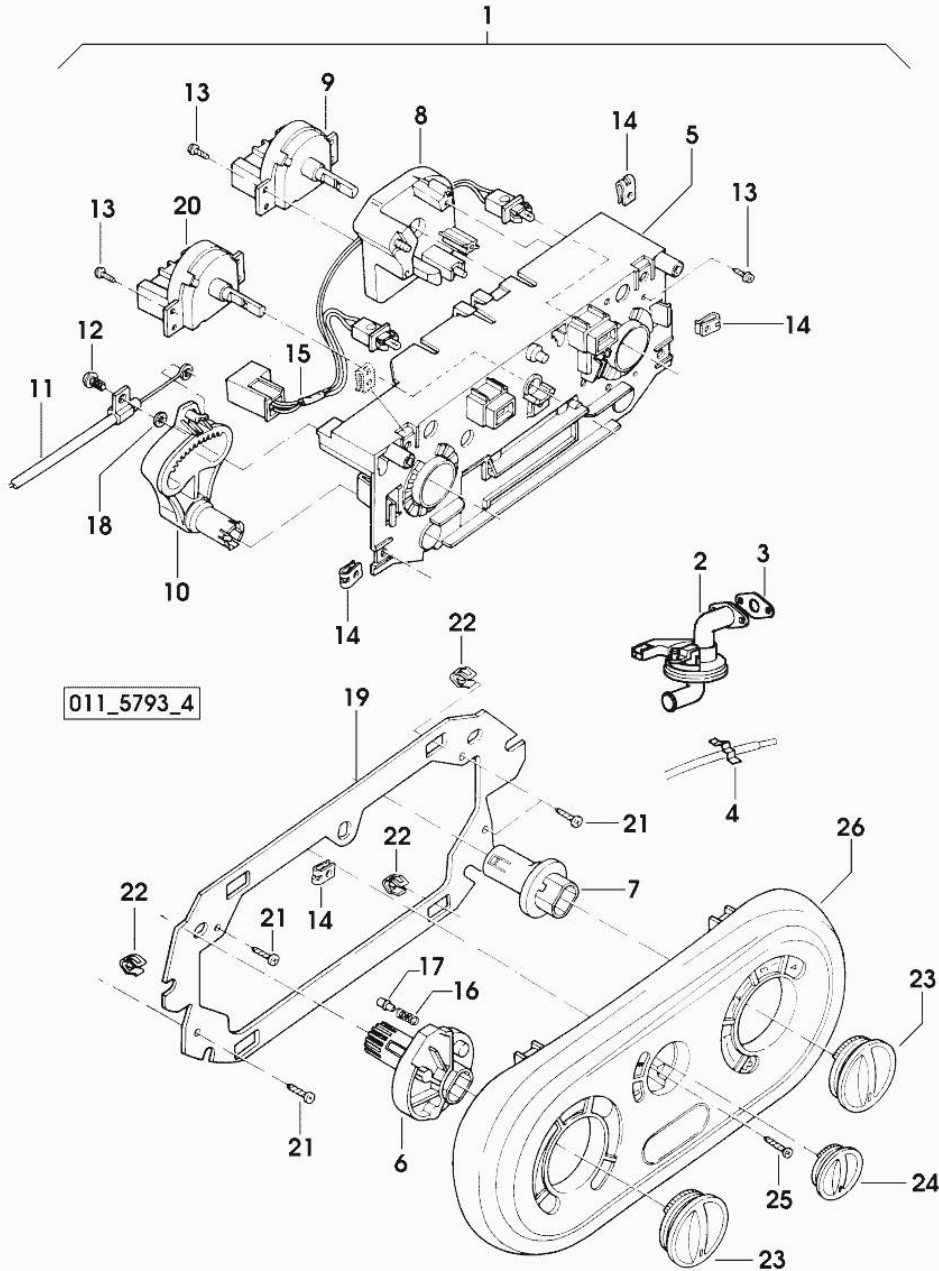
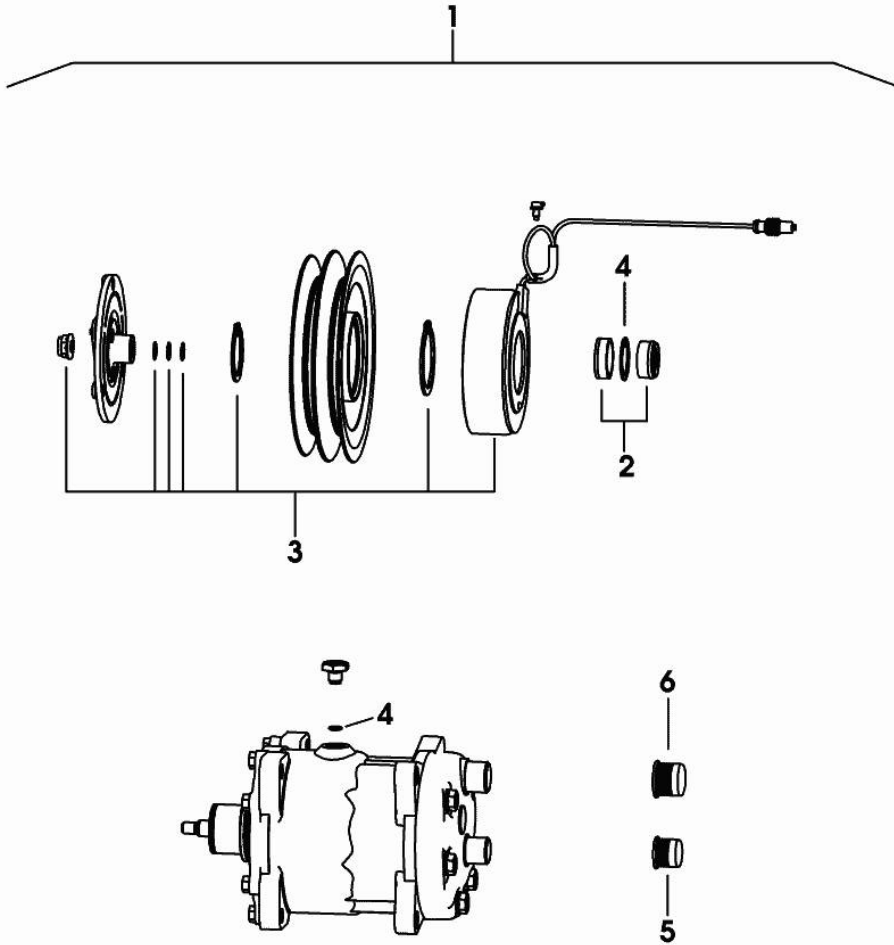


Fig.	P/n	QTY	Name
1	0.011.5793.4	1	controls assembly
2	0.010.2526.0	1	cock
3	0.010.2526.1	1	gasket
4	0.010.2526.2	1	clip
5	0.010.2527.0	1	support
6	0.010.2527.1	1	pin
7	0.010.2527.2	1	pin dx/rh/re
8	0.010.2528.0	1	support
9	0.010.2528.1	1	switch
10	0.010.2528.2	1	lever
11	0.010.2529.0	1	transmission
12	0.010.2529.1	1	screw m 5 x 16
13	0.010.2529.2	7	screw m 3x10
14	0.010.2530.0	5	clip
15	0.010.2530.1	1	electric cable
16	0.010.2530.2	1	spring
17	0.010.2531.0	1	cap
18	0.010.2531.1	1	washer 4x8
19	0.010.2531.2	1	bracket
20	0.010.2532.0	1	switch
21	0.010.2119.2	4	screw 4 x 12
22	0.010.2532.1	4	clip
23	0.010.2532.2	2	knob
24	0.010.2533.0	1	knob
25	0.010.2533.1	1	screw m 3.5x13
26	0.010.2533.2	1	cover

COMPRESSOR

Fig.	P/n	QTY	Name
1	04437339/10	1	compressor R 134a
2	0.900.0005.8	1	accessories
3	0.900.0005.9	1	accessories
4	0.010.3629.1	1	special oil seal
5	0.010.3630.0	1	plug
6	0.010.3629.2	1	plug



04437339_10

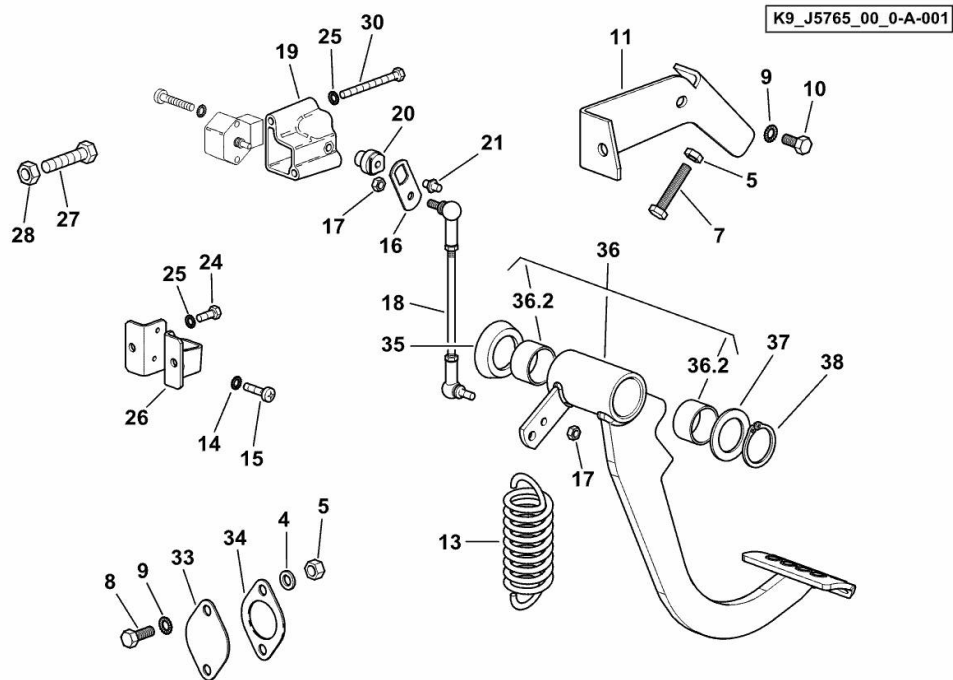
CLUTCH CONTROL

Fig.	P/n	QTY	Name
------	-----	-----	------

Notes:

[IRON³ 190 DCR ->ZKDS7802W0LS10010]

4	2.1310.004.2	2	flat washer 8.4x17
5	2.1011.105.2	3	nut m 8 p.1.25
7	2.0112.217.2	1	screw m 8 p.1.25 x 45
8	2.0112.207.2	2	screw m 8 p 1.25 x 20
9	2.1470.004.2	3	lock washer 8
10	2.0112.204.2	1	screw m 8 p.1.25x14
11	0.011.2338.3	1	bracket
13	2.4049.239.2/10	1	spring
14	2.1470.052.2	4	lock washer 4
15	2.0332.209.2	2	screw m 4x30
16	0.011.2793.0/10	1	lever
17	2.1120.103.2	2	nut m 6
18	0.011.2702.4	1	rod
19	0.011.2317.2/10	1	support
20	0.010.4745.2/20	1	joint
21	2.1699.515.2	1	pin Ø 6 x m 6
24	2.0112.007.2	2	screw m 6 p.1 x 20
25	2.1470.002.2	4	lock washer 6
26	0.011.2316.0/10	1	support
27	2.0112.317.2	1	screw m 10 p.1.5 x 45
28	2.1011.106.2	1	nut m 10 p.1.5
30	2.0112.022.2	2	screw m 6 x 65, d931
33	0.009.0481.0	1	plate
34	0.009.0480.0	1	gasket
35	2.1599.546.0	1	washer 30.5
36	0.016.1723.4/10	1	pedal
36.2	2.1559.117.0/20	1	special bushing 30x34x20
37	2.1599.268.0	1	shoulder ring
38	2.1410.012.1	1	circlip 30



Thank you so much for reading.
Please click the “Buy Now!”
button below to download the
complete manual.



After you pay.

You can download the most
perfect and complete manual in
the world immediately.

Our support email:

ebooklibonline@outlook.com