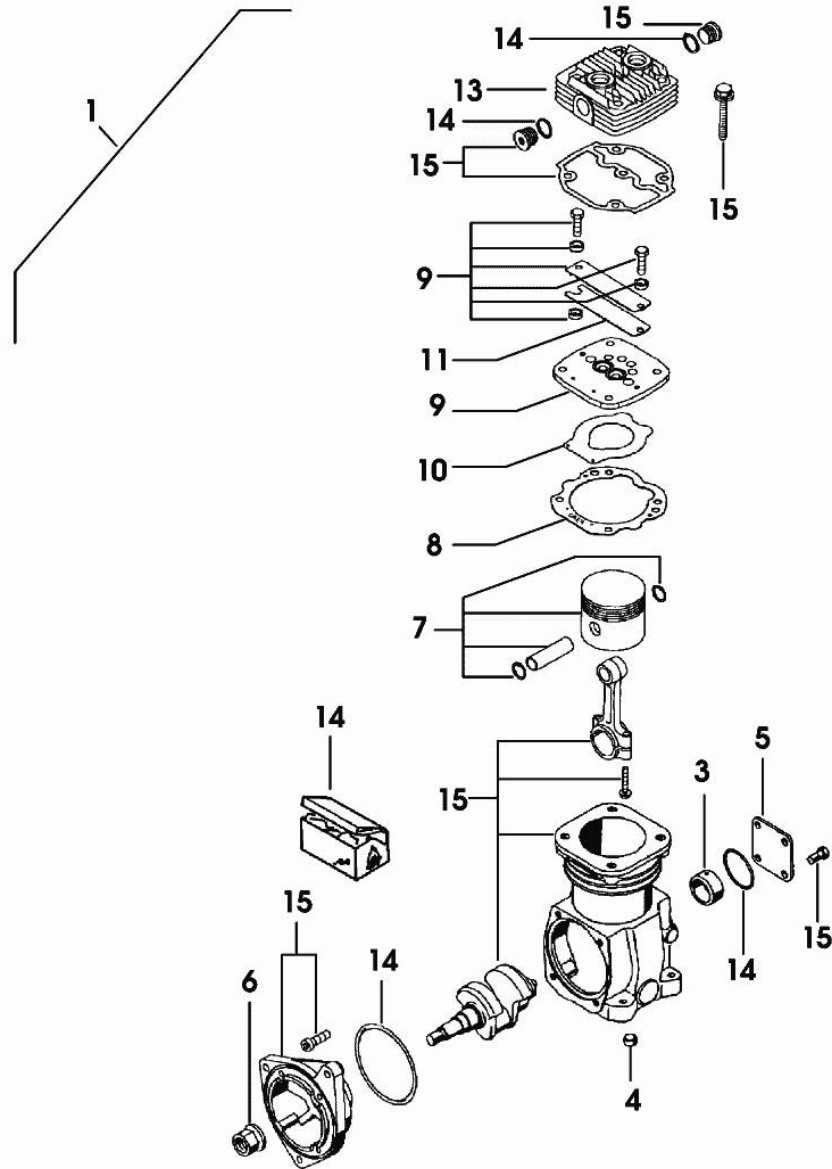


**COMPRESSOR-PARTS**

Fig.	P/n	QTY	Name
1	04428408.4	1	air compressor 229 cm <sup>3</sup>
3	04436267	1	bushing
4	01151194	2	cover
5	04436268	1	cover
6	04436276	1	nut
7	04436269	1	piston
8	04436270	1	gasket
9	04436271	1	valve
10	04436272	1	thin plate
11	04436273	1	thin plate
13	04436275	1	cover
14	04436277	1	sub-assy parts
15	0.000.0000.1		cannot be supplied



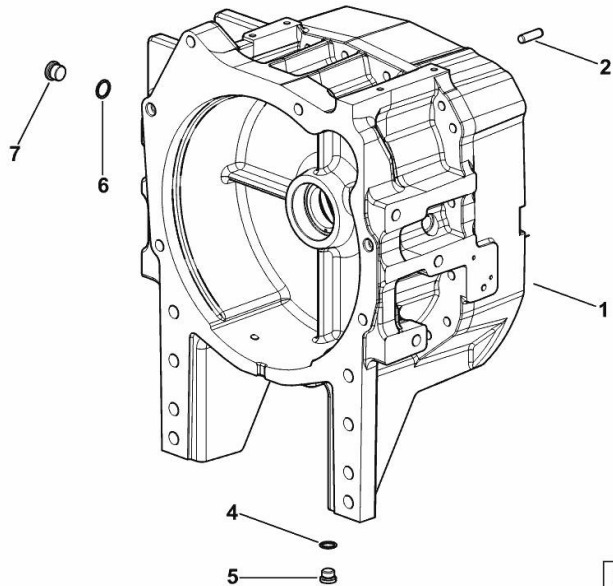
0442\_6744\_4

**JUNCTION CASE**

Fig.	P/n	QTY	Name
------	-----	-----	------

Notes:  
[IRON<sup>3</sup> 220 DCR]

1	0.013.1429.0/40	1	flange
2	2.1651.917.0	1	cylindrical plug 12x40
4	2.1560.014.0	2	washer 18.2 x 24
5	2.3120.001.4	1	plug m 18 p.1.5
6	2.1560.017.0	1	gasket 22.2 x 27
7	2.3120.002.4	1	plug m 22 x 1.5



K9\_U1031\_03\_0-A-001

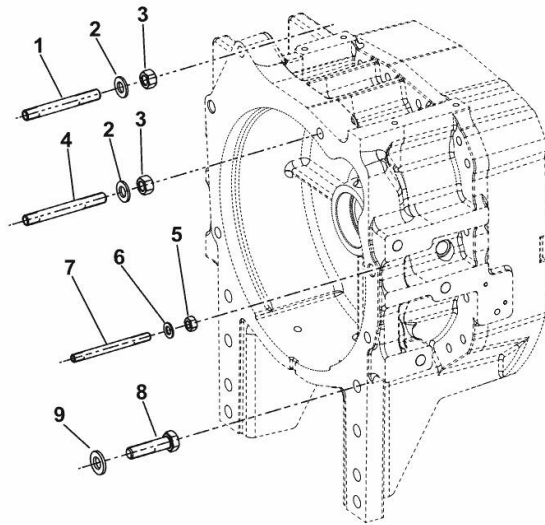
**FIXING PARTS - MOTOR - GEARS**

Fig.	P/n	QTY	Name
------	-----	-----	------

Notes:  
[IRON<sup>3</sup> 220 DCR]

1	2.0433.426.7	1	stud bolt m 16 p.1.5x110
2	2.1475.006.2	4	spring washer 16
3	2.1012.409.7	4	nut m 16
4	2.0433.427.7	3	stud bolt m 16 p.1.5x120
5	2.1012.422.7	2	nut m 12
6	2.1475.004.2	2	spring washer 12
7	2.0433.277.7	2	stud bolt m 12 p.1,25x120
8	2.0113.723.2	8	screw m 18 p.2.5X70
9	2.1475.007.7	8	washer 18

K9\_J5727\_03\_0-A-001



Section: D0 - TRANSMISSION  
**HYDRAULIC SHUTTLE**

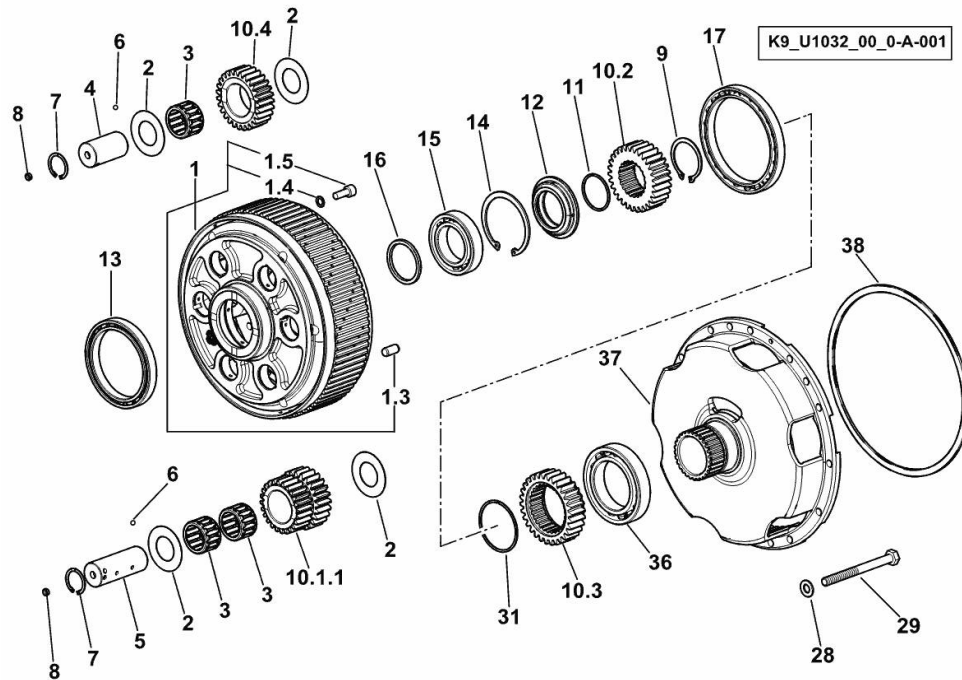


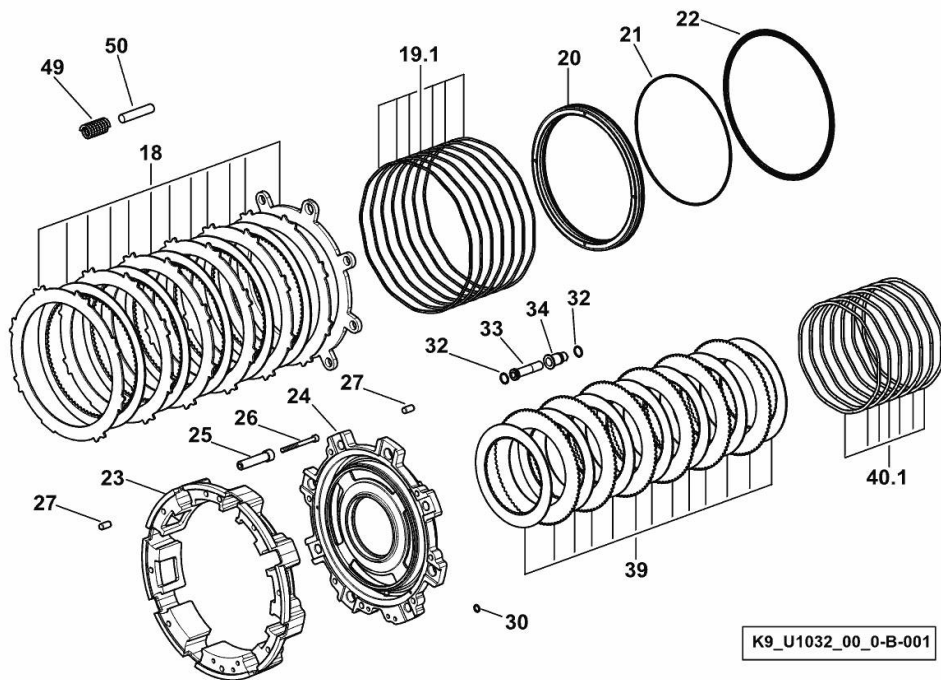
Fig.	P/n	QTY	Name
<b>Notes:</b>			
[IRON <sup>3</sup> 220 DCR]			
1	0.015.7164.3/20	1	spider
1.3	2.1651.809.0	1	cylindrical plug 10x20
1.4	2.1480.014.1	6	washer 8
1.5	2.0314.206.2	6	screw
2	2.1589.514.0	12	slewing ring
3	2.2999.452.0	9	roller cage
4	0.012.9776.0/10	3	pin
5	0.012.9538.0/10	3	pin
6	2.2819.003.0	6	ball 4.5
7	2.1411.012.1	6	circlip 30
8	2.3171.002.4	6	plug 8
9	2.1410.018.7	1	circlip 45
10.1.1	0.012.9156.0/10	3	planet gear
10.2	0.012.9154.0	1	hub
10.3	0.012.9157.0	1	hub
10.4	0.012.9777.0/10	3	planet gear
11	2.1532.102.0	1	oil seal 39.42x2.62
12	0.014.1043.0/20	1	spacer
13	2.2011.019.0	1	bearing 90x115x13
14	2.1411.030.7	1	circlip 75x2.5
15	2.2021.013.0	1	ball bearing 45x75x16
16	2.1599.907.0	1	shoulder ring
17	2.2999.454.0	1	bearing 105x130x13
28	2.1475.003.7	8	washer 10.5
29	2.0112.331.2	8	screw m 10 p.1.5x110
31	2.1422.037.7	2	circlip 60x1.5
36	2.2021.016.0	1	ball bearing 60x95x18
37	0.014.0886.0/10	1	flange
38	2.1499.248.0/10	1	ring

Section: D0 - TRANSMISSION  
**HYDRAULIC SHUTTLE**

Fig.	P/n	QTY	Name
------	-----	-----	------

Notes:  
 [IRON<sup>3</sup> 220 DCR]

18	0.014.0867.3/10	1	transmission brake
19.1	2.4099.169.1	7	spring
20	0.012.9919.0/10	1	piston
21	2.1539.117.0	1	oil seal 266.29x3.53
22	2.1532.031.0	1	oil seal 291.64x3.53
23	0.015.7258.0/10	1	flange
24	0.015.7257.0/10	1	cover
25	2.1549.634.0	2	bush
26	2.0312.224.2	2	screw m 8 p.1.25 x 90
27	2.1651.911.0	1	cylindrical plug
30	2.1539.071.0	13	special oil seal 11.11x1.78
32	2.1532.049.0	4	oil seal 18.77x1.78
33	0.015.7225.0	2	tube
34	0.015.7223.0/10	2	bushing
39	0.012.9772.3/20	1	clutch assy
40.1	2.4099.149.7	7	spring
49	2.4019.789.1	8	spring
50	2.1699.179.0	4	pin

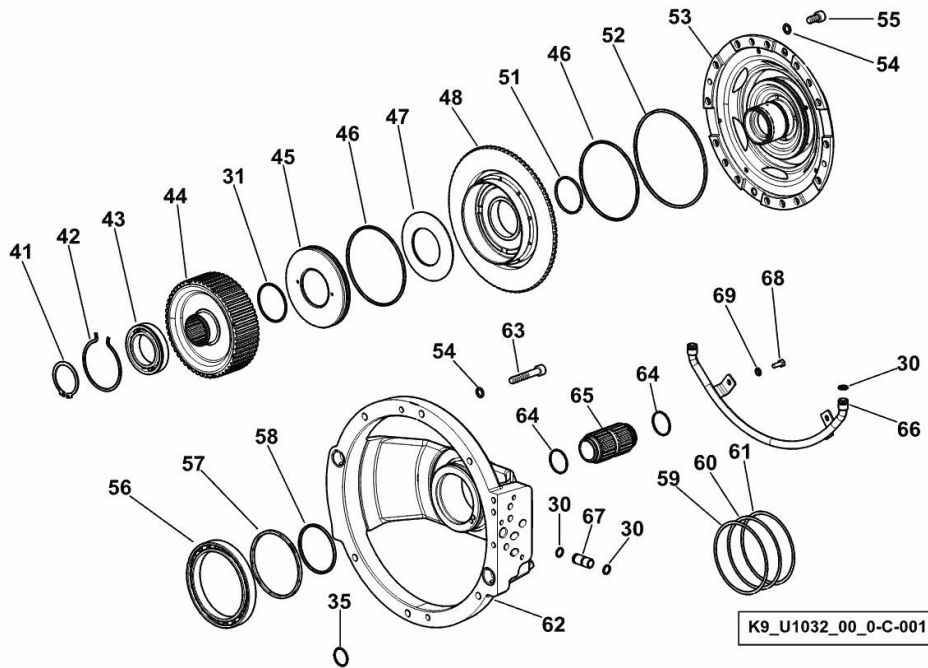


Section: D0 - TRANSMISSION  
HYDRAULIC SHUTTLE

Fig.	P/n	QTY	Name
------	-----	-----	------

Notes:  
[IRON<sup>3</sup> 220 DCR]

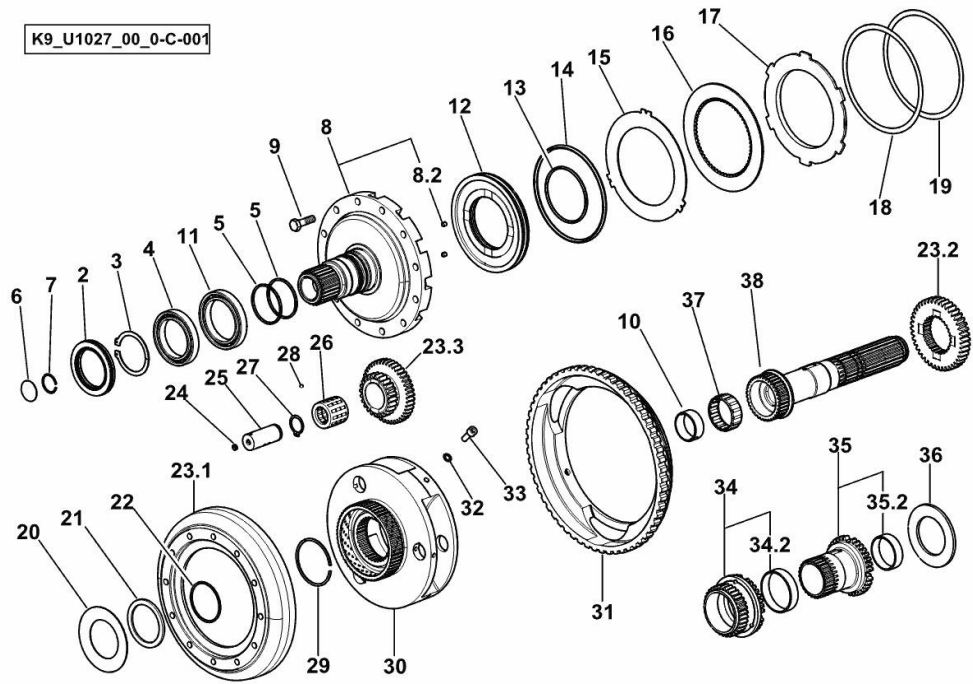
30	2.1539.071.0	13	special oil seal 11.11x1.78
31	2.1422.037.7	2	circlip 60x1.5
35	2.1532.072.0	2	oil seal 26.70x1.78
41	2.1410.020.1	1	circlip 50
42	2.1499.230.1	1	circlip Ø 76
43	2.2044.007.0	1	bearing 50x80x16
44	0.014.0895.0/20	1	hub
45	0.012.9767.0/20	1	cap
46	2.1532.222.0	2	oil seal 120.24x3.53
47	2.4099.171.7	5	spring
48	0.015.3729.0/10	1	piston
51	2.1532.133.0	1	oil seal 53.64x2.62
52	2.1532.256.0	1	oil seal 152x3.53
53	0.014.2088.0/40	1	flange
54	2.1480.015.2	22	washer 10
55	2.0314.306.2	16	screw m10 p.1.5x20
56	2.2999.498.0	1	bearing 110x140x16
57	2.1499.247.7/10	1	ring
58	2.1499.112.7	3	circlip 80x2.8
59	2.1580.407.9	2	shim 110.5x119.5x0.15
60	2.1580.401.9	2	shim 110.5x119.5x0.2
61	2.1580.402.9	1	shim 110.5x119.5x0.5
62	0.012.9755.3/70	1	flange
63	2.0312.318.2	6	screw m 10 x 60
64	2.1532.092.0	2	ring 34.65x1.78
65	0.013.0246.0	1	sleeve
66	0.015.7370.3	1	tube
67	0.014.0899.0/20	1	tube
68	2.0112.005.2	2	screw m 6 p.1 x 16
69	2.1475.001.7	2	washer 6.4x12



**H-M-L UNIT**

Fig.	P/n	QTY	Name
------	-----	-----	------

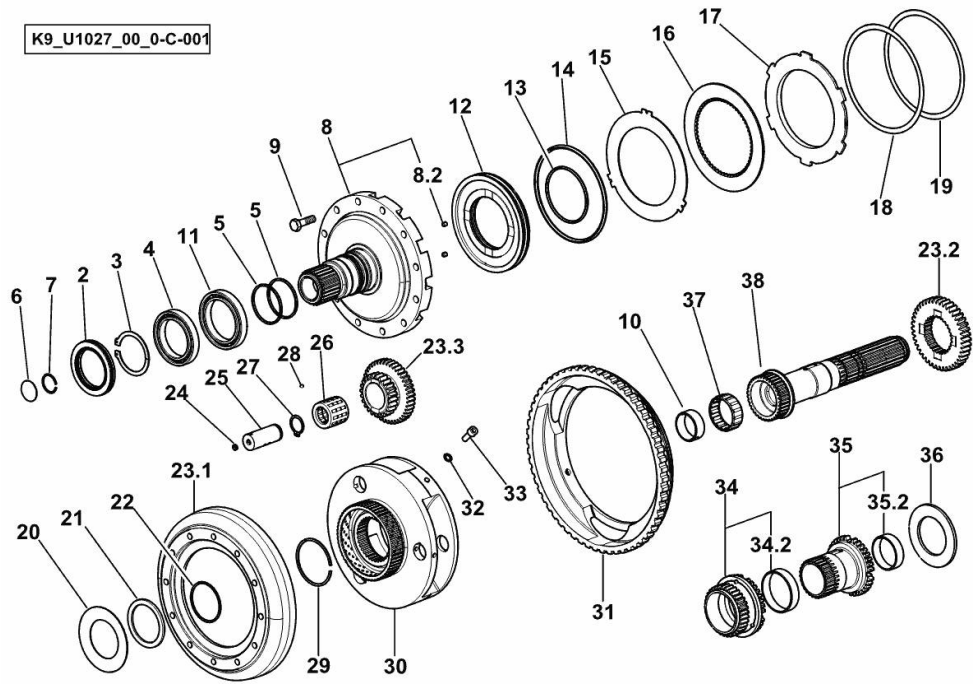
Notes:  
[IRON<sup>3</sup> 220 DCR]



2	2.1519.116.0/10	1	oil seal 85
3	2.1410.024.1	1	circlip Ø 60 mm
4	2.2999.272.0	1	special bearing 60x85x13
5	2.1499.108.7	2	ring 57.70x62x2.15
6	2.3170.013.2	1	expansion plug 32
7	2.1421.011.1	1	circlip b 28
8	0.016.2783.3	1	container
8.2	2.0512.101.1	2	screw
9	2.0132.209.2	12	screw m 10 p.1.25 x 35
10	2.1559.299.0	1	special bushing 40x45x17
11	2.2010.014.0	1	ball bearing
12	0.008.4542.0/60	1	piston
13	2.1539.113.0	1	oil seal 82.14 x 3.53
14	2.1539.114.0	1	oil seal 142.24x5.33
15	0.008.5203.0/20	3	clutch plate mm 2.10
16	0.007.7499.2	3	clutch plate mm 3.50
17	0.008.4567.0/10	1	disc mm 4 - mm 9
18	2.1589.223.0	2	shoulder ring 154x170x0.5
19	2.1589.222.0	3	shoulder ring 154x170x0.2
20	2.4099.068.1	1	spring 60.8x102
21	2.1549.084.0	1	spacer 60x75x3
22	2.1422.037.7	1	circlip 60x1.5
23.1	0.008.4552.0/10	1	crown wheel
23.2	0.008.4548.0/20	1	gear
23.3	0.011.8735.3	1	planet gear n. 3
24	2.3171.002.4	3	plug 8
25	0.011.8733.0/10	3	pin mm 25x60.2
26	2.2999.427.0	3	roller bearing 25X41
27	2.1410.010.1	3	circlip 25
28	2.2819.003.0	3	ball 4.5
29	2.1422.041.7	1	circlip 70x1.5
30	0.013.4048.0/10	1	spider
31	0.013.5991.0/40	1	gear wheel Z = 58
32	2.1480.014.2	3	washer 8
33	2.0314.206.2	3	screw
34	0.015.2261.3/10	1	gear
34.2	2.1559.268.0/10	1	special bushing
35	0.016.3232.3	1	shaft
35.2	2.1559.269.0/10	1	special bushing
36	2.1599.608.0	1	shoulder ring 48.2x78x4
37	2.2999.261.0	1	roller cage 45x55x20

**H-M-L UNIT**

Fig.	P/n	QTY	Name
38	0.012.9847.0/40	1	shaft

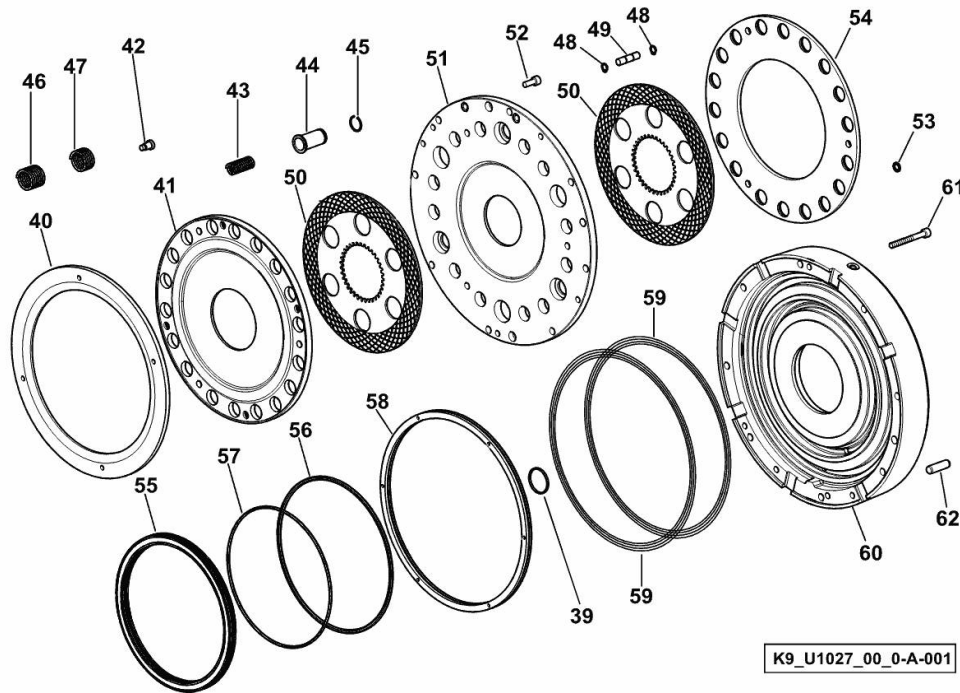




**H-M-L UNIT**

Fig.	P/n	QTY	Name
------	-----	-----	------

Notes:  
[IRON<sup>3</sup> 220 DCR]



39	2.1499.109.0/10	1	ring 37.1x40x2.5
40	0.013.0857.0	1	flange
41	0.015.2231.0	1	disc
42	2.0169.022.7/10	4	screw
43	2.4019.788.0	18	spring 18x11x56.5
44	2.1559.438.0	18	bushing
45	2.1420.009.7	9	ring Ø 22
46	2.4019.465.0	3	spring 25.1x32.5x50
47	2.4019.466.0	3	spring 25.1x32.5x29.5
48	2.1410.001.1	6	circlip 10
49	2.1699.304.0	3	pin 10x8x42
50	0.015.2236.2	2	clutch plate
51	0.015.2194.0/10	1	disc
52	2.0312.206.2	2	screw m 8 p 1.25 x 20
53	2.1532.018.0	4	oil seal 9.19 x 2.62
54	0.013.0859.0/10	1	disc
55	0.012.9933.0	1	piston
56	2.1532.302.0	1	oil seal 234.54x3.53
57	2.1532.296.0	1	oil seal 215.5 x 3.53
58	0.014.0107.0	1	piston
59	2.1532.031.0	2	oil seal 291.64x3.53
60	0.014.0863.3/40	1	flange
61	2.0312.220.2	3	screw m 8 p.1.25x70
62	2.1651.911.0	1	cylindrical plug

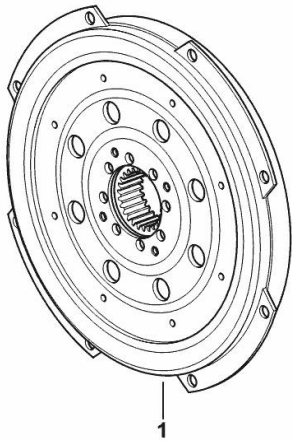
K9\_U1027\_00\_0-A-001

**FLEXIBLE COUPLINGS**

Fig.	P/n	QTY	Name
------	-----	-----	------

Notes:  
[IRON<sup>3</sup> 220 DCR]

1	0.013.8769.4/20	1	flexible coupling
---	-----------------	---	-------------------



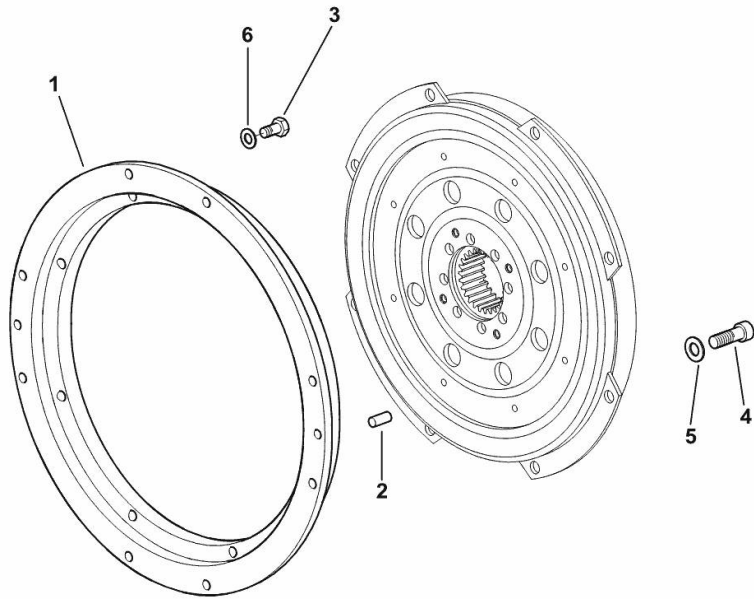
K9\_J2527\_01\_0-A-001

**DAMPING COUPLING**

Fig.	P/n	QTY	Name
------	-----	-----	------

Notes:  
[IRON<sup>3</sup> 220 DCR]

1	0.013.6141.0/10	1	flange
2	2.1630.711.0	2	pin
3	2.0112.209.2	8	screw m 8 p 1.25 x 25
4	2.0312.306.2	8	screw m 10 p.1.5 x 20
5	2.1480.015.2	8	washer 10
6	2.1475.002.2	8	conical washer 8



K9\_B3927\_01\_0-A-001

Thank you so much for reading.  
Please click the “Buy Now!”  
button below to download the  
complete manual.



After you pay.

You can download the most  
perfect and complete manual in  
the world immediately.

Our support email:

[ebooklibonline@outlook.com](mailto:ebooklibonline@outlook.com)