

Section: ENGINE
CRANKCASE

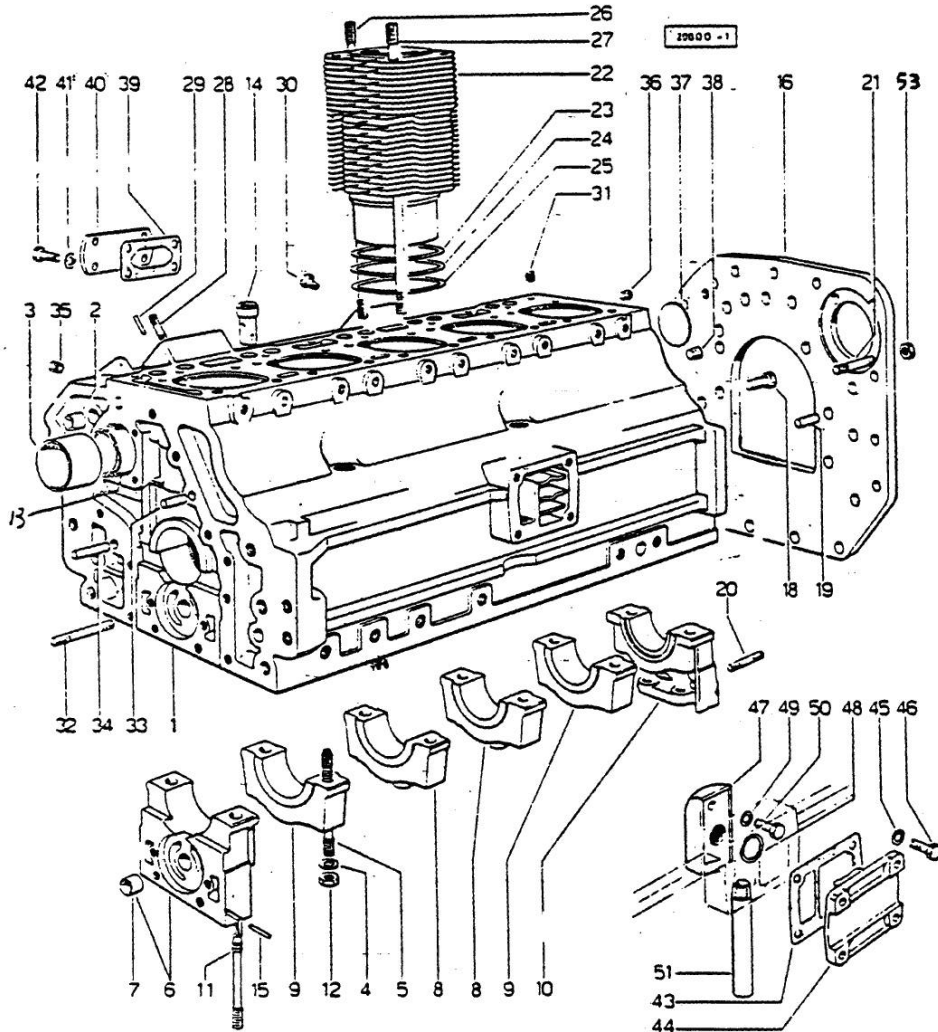


Fig.	P/n	QTY	Name
Notes: [JAGUAR 95]			
0	0.042.0050.6	1	gasket set
1	0.048.1110.4/70	1	crankcase
			11704 <= ORDER ALSO: 045.1240-2.0112.309.2-2.1474.010.1
1	0.048.1153.4/10	1	old part number
			EXPORT USA 11704 <= ORDER ALSO: 045.1240-2.0112.309.2-2.1474.010.1
2	2.1559.111.0/20	2	special bushing
3	0.037.1155.0	1	bushing
4	2.1599.144.7	12	shoulder ring 12.5x23x4
5	0.029.1117.0	8	stud bolt
6	0.052.1112.3	1	support
7	2.1559.090.0/10	1	bushing 14.24x19.06x27
8	0.037.1114.0	2	support
9	0.052.1113.0	2	support
10	0.052.1116.0	1	support
11	0.021.1157.0	4	stud bolt
12	2.1019.026.7	12	special nut m 12 p.1.5
13	2.1559.149.0	1	special bushing
14	0.044.1156.0	10	special bushing
15	0.029.1154.0/10	4	gasket
16	0.042.1130.0	1	flange
18	2.0112.513.2	11	screw m 14 p.2 x 35
19	2.1651.911.0	2	cylindrical plug
20	2.0432.153.7	2	stud bolt m 10 p.1.5 / p.1.25 x 20
21	2.0432.257.7	2	stud bolt m 12 p.1.75 - 1.25 x 30
22	0.044.1120.0/40	5	engine cylinder
23	2.1589.052.0	10	shoulder ring 115x123x0.2
24	2.1589.051.0	5	shoulder ring 116x123x0.1
25	2.1569.076.0	5	gasket 116x123x0.5
26	0.041.1123.0/10	5	stud bolt
27	0.039.1122.0	20	stud bolt m 12 p.1.5x310
28	2.0432.003.7	8	stud bolt m 8 p.1.25 / p.1 x 20
29	2.1651.306.0	2	cylindrical plug
30	0.071.1151.3/10	5	valve
31	2.3130.001.1	4	plug 1/8" gas
32	2.0432.025.7	2	stud bolt m 8 p.1.25 - 1.00 x 100
33	2.1651.711.0	1	pin 8 x 14
34	2.1699.114.0	1	pin 8x55
35	2.3139.001.1	5	plug
36	2.3130.002.1	1	plug 1/4" gas

Section: ENGINE
CRANKCASE

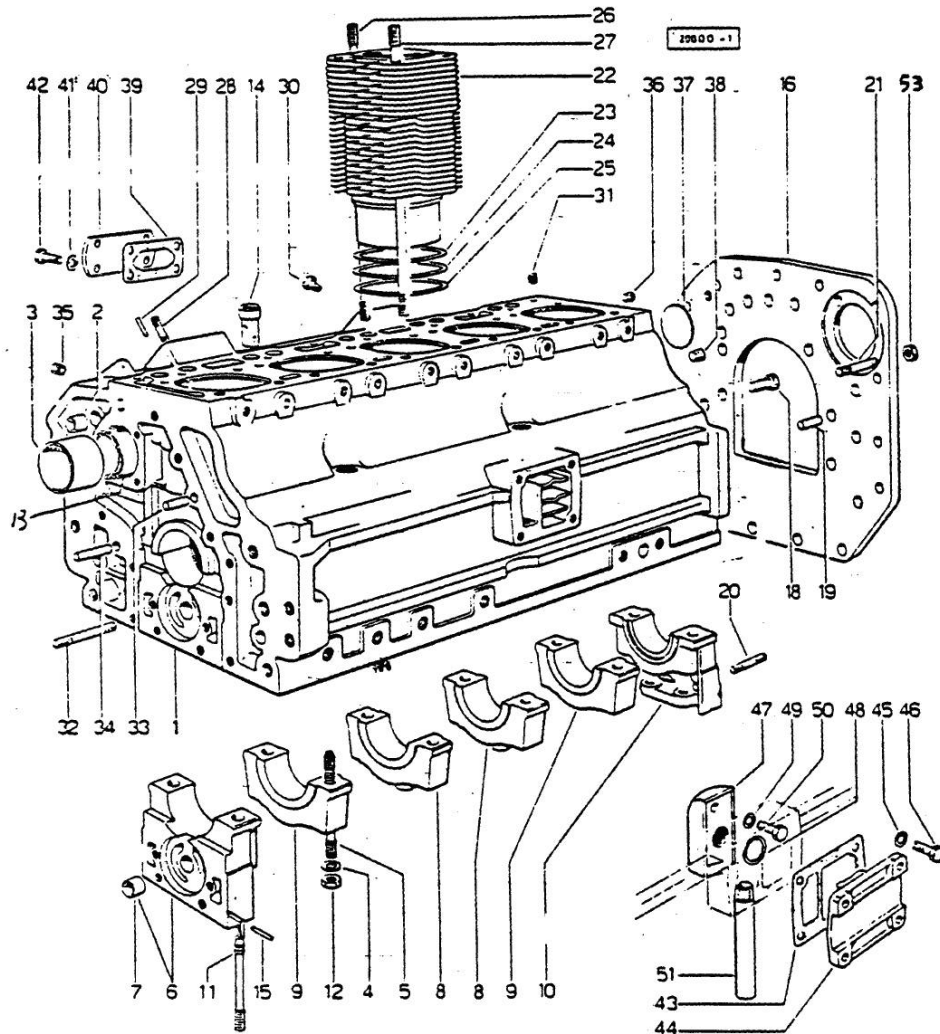


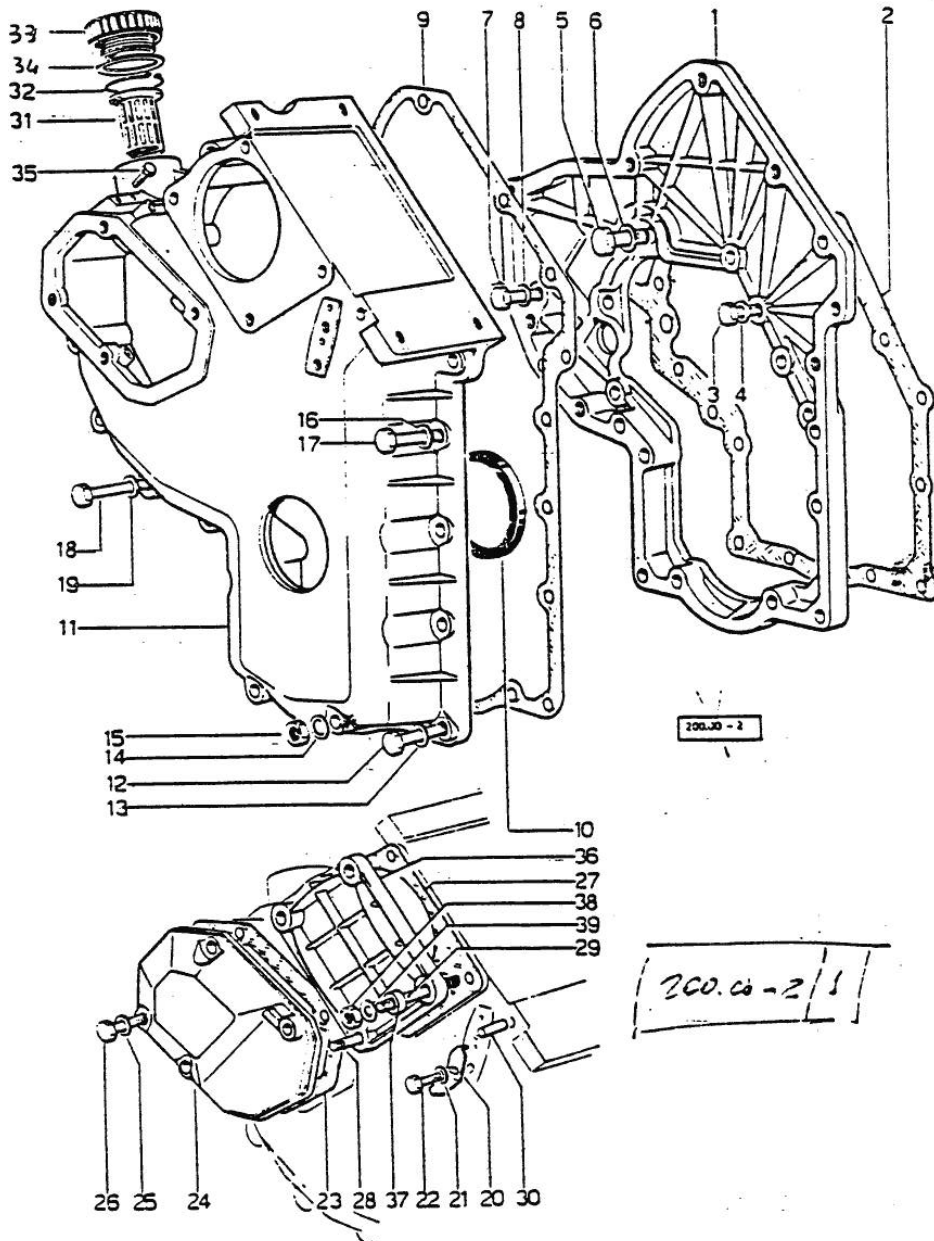
Fig.	P/n	QTY	Name
37	2.3170.022.1	1	expansion plug 60
38	2.3130.003.1	2	plug 3/8" gas
39	0.044.1151.0	2	gasket
40	0.044.1164.2/10	2	small cover
41	2.1310.004.2	8	flat washer 8.4x17
42	2.0112.204.2	6	screw m 8 p.1.25x14
43	0.044.1153.0/10	1	gasket
44	0.044.1154.0	1	cover
45	2.1480.014.1	4	washer 8
46	2.0112.209.2	4	screw m 8 p 1.25 x 25
47	0.044.1155.2/20	1	cover
48	0.071.1156.0	1	special oil seal
49	2.1480.014.1	1	washer 8
50	2.0312.206.2	1	screw m 8 p 1.25 x 20
51	0.044.1152.0/10	1	tube
52	2.1011.207.2	2	nut m 12 p.1.5

Section: ENGINE
TIMING CASE

Fig.	P/n	QTY	Name
------	-----	-----	------

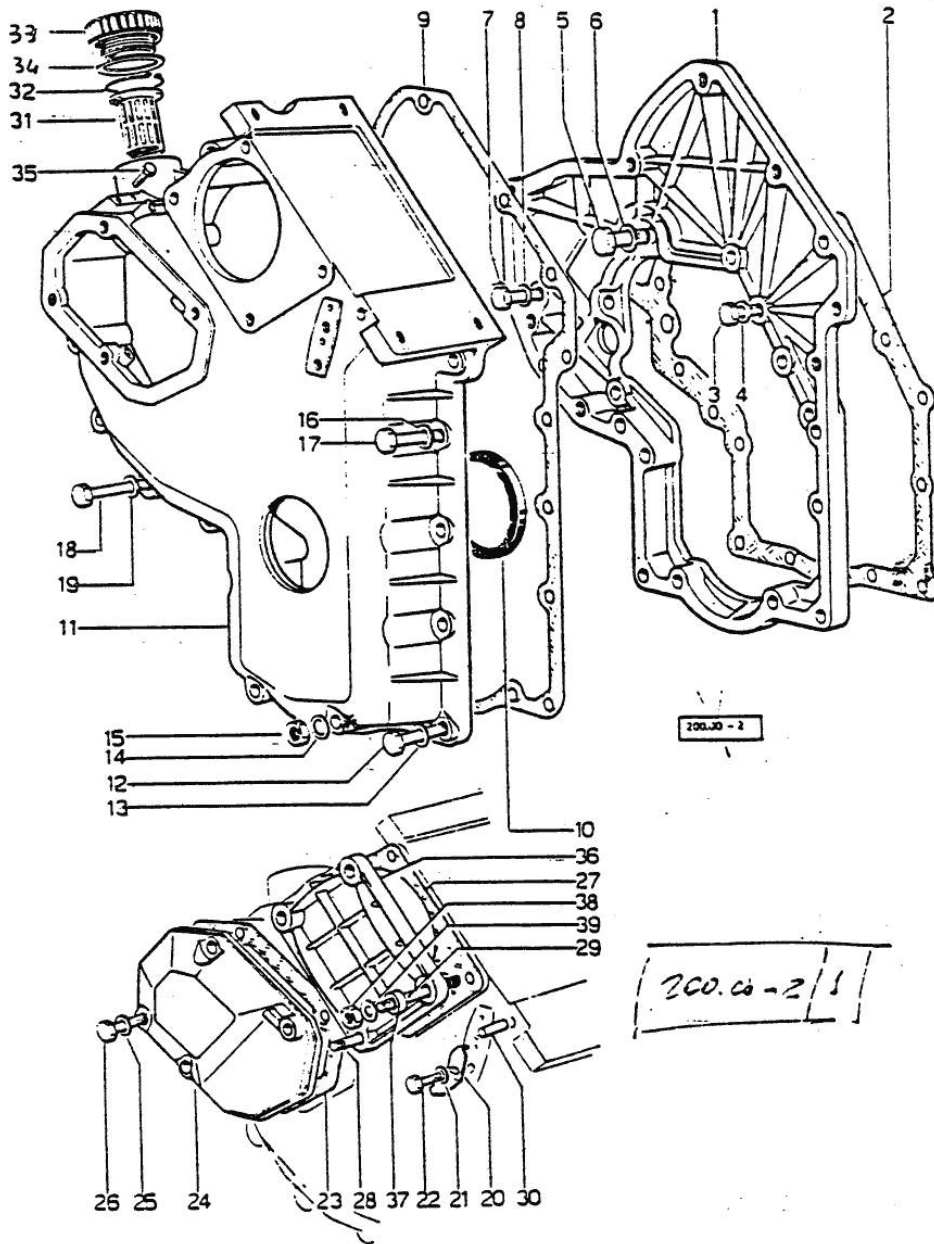
Notes:
[JAGUAR 95]

1	0.048.1131.0	1	flange
2	0.041.1153.0/10	1	gasket
3	2.0112.209.2	5	screw m 8 p 1.25 x 25
4	2.1480.014.1	5	washer 8
5	2.0119.034.2	1	screw m 14 p.2x20
6	2.1560.010.0	1	gasket 14.2 x 20
7	2.0112.207.2	1	screw m 8 p 1.25 x 20
8	2.1480.014.1	1	washer 8
9	0.041.1152.0/10	1	gasket
10	2.1519.010.0	1	special oil seal 58x80x10
11	0.048.1132.0/10	1	guard
11	0.048.1132.0/40	1	guard => 5032 <= => 5033
12	2.0112.217.2	5	screw m 8 p.1.25 x 45
13	2.1480.014.1	5	washer 8
14	2.1560.003.0	2	copper gasket 8.2 x 12
15	2.1011.405.2	2	nut m 8 p.1
16	2.1480.014.1	2	washer 8
17	2.0112.211.2	2	screw m 8 p.1.25 x 30
18	2.0112.222.2	4	screw m 8 p.1.25x65
19	2.1480.014.1	4	washer 8
20	0.041.1158.0	1	index
21	2.1310.004.2	1	flat washer 8.4x17
22	2.0112.204.2	1	screw m 8 p.1.25x14
23	0.048.1151.0/10	1	gasket
24	0.048.1150.0/20	1	cover
25	2.1560.006.0	4	gasket 10.2 x 16
26	2.0112.313.2	1	screw m 10 p.1.5 x 35
26	2.0112.315.2	3	screw m 10 p.1.5 x 40
27	0.041.1154.0	1	gasket
28	2.0432.015.7	1	stud bolt m 8 p.1.25-1x50
29	2.0432.028.7	3	stud bolt m 8 p.1.25-1x130
30	2.1653.717.0	1	pin 8 x 40
31	0.041.1159.0/10	1	filter
32	2.1411.012.1	1	circlip 30
33	0.041.1135.4	1	plug 1" gas
34	2.1569.072.0	1	gasket 32 x 39.5 x 2
35	2.0112.004.2	2	screw m 6 p.1 x 14
36	0.037.1151.0/10	1	cover
37	2.1579.191.2	4	spacer 8.5 x 18 x 20



Section: ENGINE
TIMING CASE

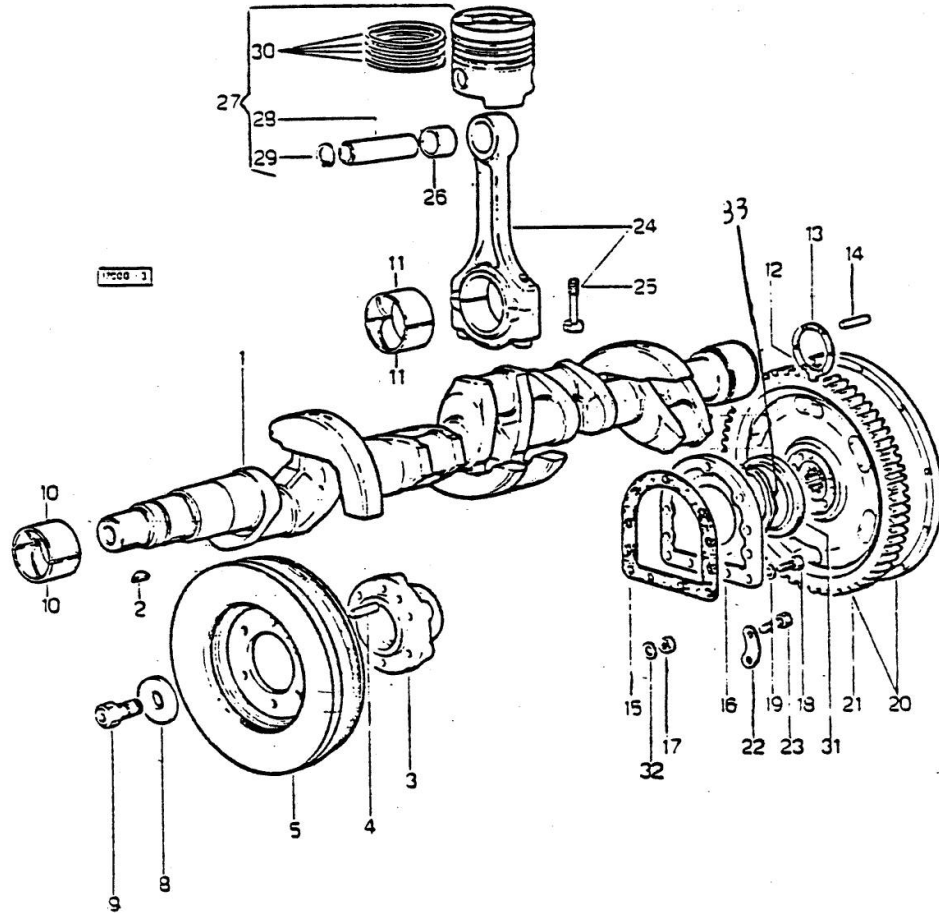
Fig.	P/n	QTY	Name
38	2.1011.405.2	4	nut m 8 p.1
39	2.1310.004.2	4	flat washer 8.4x17



Section: ENGINE
CRANKSHAFT

Fig.	P/n	QTY	Name
------	-----	-----	------

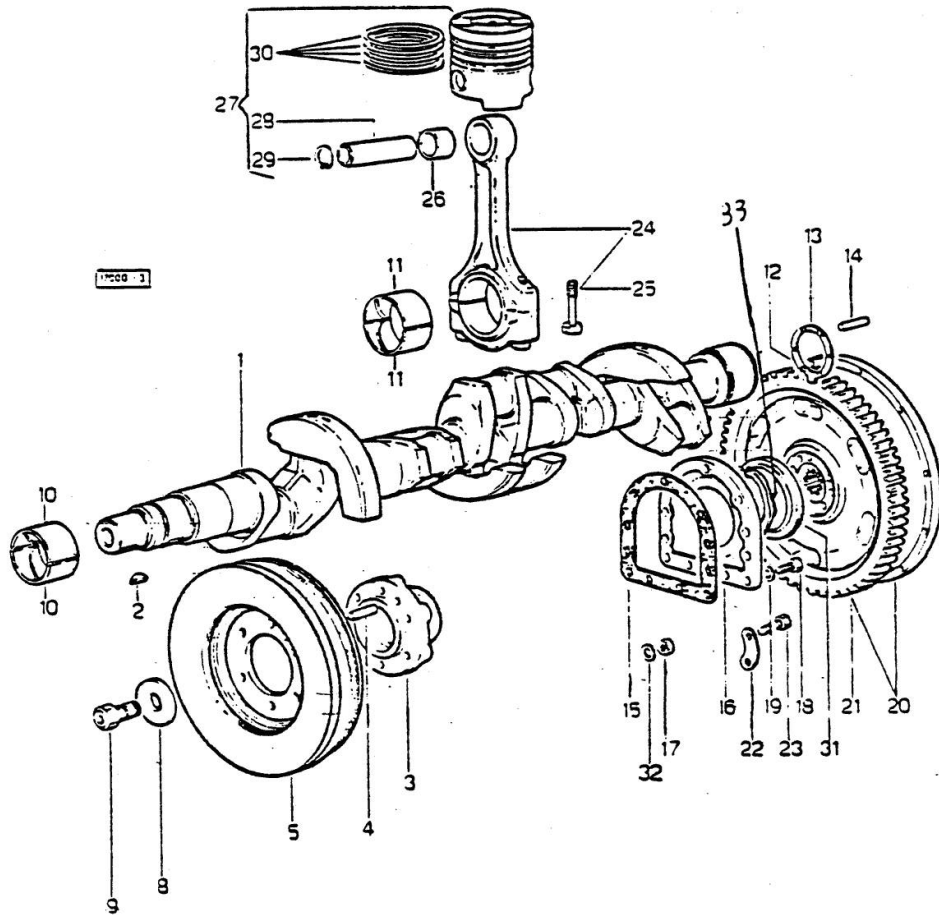
Notes:
[JAGUAR 95]



1	0.041.1210.4/10	1	old part number
2	2.1799.002.0	1	stick 10x13
3	0.037.1250.0/10	1	hub
4	2.1651.911.0	1	cylindrical plug
5	0.046.1246.3	1	antivibration pulley
8	0.001.6020.0	1	shoulder
9	2.0129.032.2	1	screw m 24 p.2x45
10	0.073.0059.0	12	main half bushing - mm 1.00
10	0.073.1215.0	12	main half bushing STANDARD
10	0.073.1215.7	12	main half bushing - mm 0.25
10	0.073.1215.8	12	main half bushing - mm 0.50
10	0.073.1215.9	12	main half bushing - mm 0.75
11	0.062.0059.0	10	con.rod half bushing - mm 1.00
11	0.062.1225.0	10	con.rod half bushing STANDARD
11	0.062.1225.7	10	con.rod half bushing - mm 0.25
11	0.062.1225.8	10	con.rod half bushing - mm 0.50
11	0.062.1225.9	10	con.rod half bushing - mm 0.75
12	0.001.4547.0	2	shoulder ring + mm 0.05
12	0.001.4548.0	2	shoulder ring + mm 0.10
12	0.001.4549.0	2	shoulder ring + mm 0.15
12	0.042.1219.0	2	shoulder ring STANDARD
13	0.001.4544.0	2	shoulder ring + mm 0.05
13	0.001.4545.0	2	shoulder ring + mm 0.10
13	0.001.4546.0	2	shoulder ring + mm 0.15
13	0.042.1218.0	2	shoulder ring STANDARD
14	2.1651.915.0	2	pin 12x35
15	0.029.1250.0/10	1	gasket
16	0.029.1240.0	1	flange
			IN TYPES WITHOUT FIG. 33
16	0.029.1240.0/10	1	flange
			IN TYPES WITH FIG. 33 11704 <=>
16	0.045.1240.0	1	flange => 11705
17	2.1011.421.2	1	nut m 10 p.1.25
18	2.0112.309.2	1	screw m 10 p.1.5 x 25
19	2.1474.010.2	2	washer 10
20	0.042.1241.3	1	flywheel
			5000 <=>
20	0.062.1241.3	1	flywheel
			=> 5001
21	0.036.1242.0	1	crown wheel Z = 126, mm 15

Section: ENGINE
CRANKSHAFT

Fig.	P/n	QTY	Name
22	2.1379.006.0	3	lock-tab 15x15x36,5
23	2.0122.517.7	6	screw m 14 p.1.5x45
24	0.039.1220.3/30	5	engine connecting rod
25	0.039.1250.0	10	screw m 14 p.1.5x63
26	2.1559.114.0/10	5	special bushing
27	0.073.0061.6	5	complete piston + mm 0.50
27	0.073.0062.6	5	complete piston + mm 1.0
27	0.073.0066.6	5	ground piston cylinder kit
28	0.038.1236.0/10	5	piston pin Ø 18 / Ø 35 / L = mm 90
29	2.1411.014.1	10	circlip 35
30	0.042.0052.6	5	piston ring set STANDARD
30	0.042.0053.6	5	piston ring set + mm 0.50
30	0.042.0054.6	5	piston ring set + mm 1.0
31	2.1519.009.0/10	1	special oil seal
32	2.1560.006.0	2	gasket 10.2 x 16
33	2.1599.404.0	1	shoulder ring



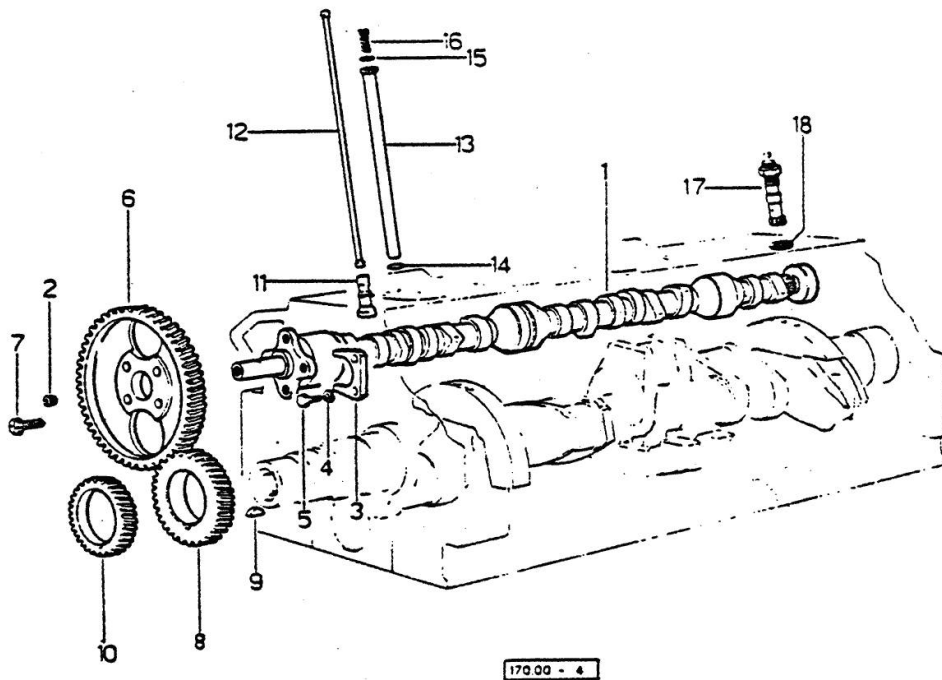
Section: ENGINE

CAMSHAFT

Fig.	P/n	QTY	Name
------	-----	-----	------

Notes:
[JAGUAR 95]

1	0.048.1310.0/20	1	camshaft
2	2.3130.001.1	1	plug 1/8" gas
3	0.027.1314.0/20	1	flange
4	2.1470.004.2	2	lock washer 8
5	2.0112.207.2	2	screw m 8 p 1.25 x 20
6	0.062.1321.0	1	gear z=66
7	2.0139.005.1	4	screw m 10 p.1 x 25
8	0.040.1320.0	1	gear z = 33
9	2.1720.010.0	1	key 5x9
10	0.040.1323.0/10	1	gear Z = 38
11	0.052.1330.0/20	10	tappets
12	0.041.1331.3	10	rod
13	0.041.1332.0	10	sleeve
14	2.1539.020.0	10	special oil seal 13.95x2.62
15	2.1539.022.0	10	special oil seal 12.37x2.62
16	2.4019.162.1/20	10	spring 17.2x46x1.8
17	0.041.1355.3	1	transmission
18	2.1560.014.0	1	washer 18.2 x 24

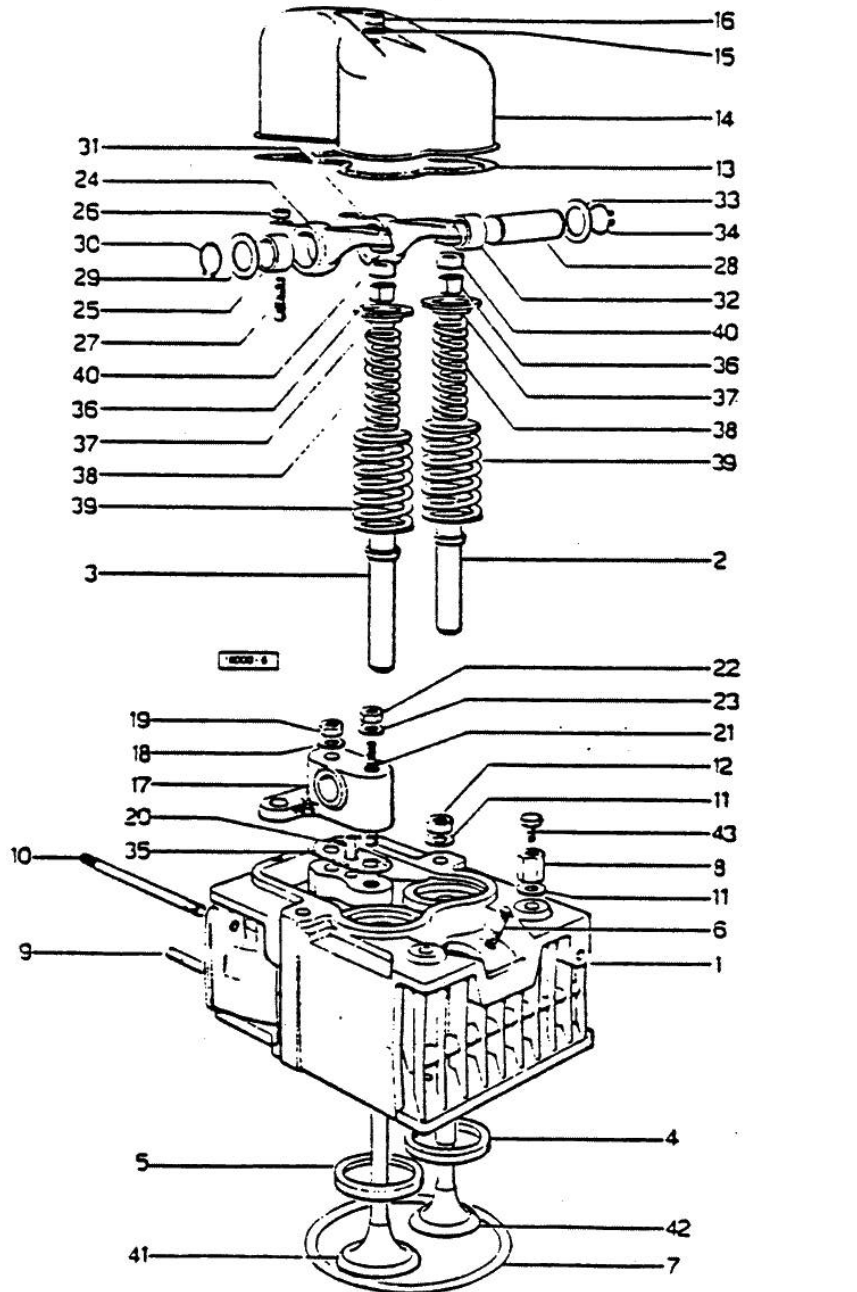


Section: ENGINE
CYLINDER HEAD

Fig.	P/n	QTY	Name
------	-----	-----	------

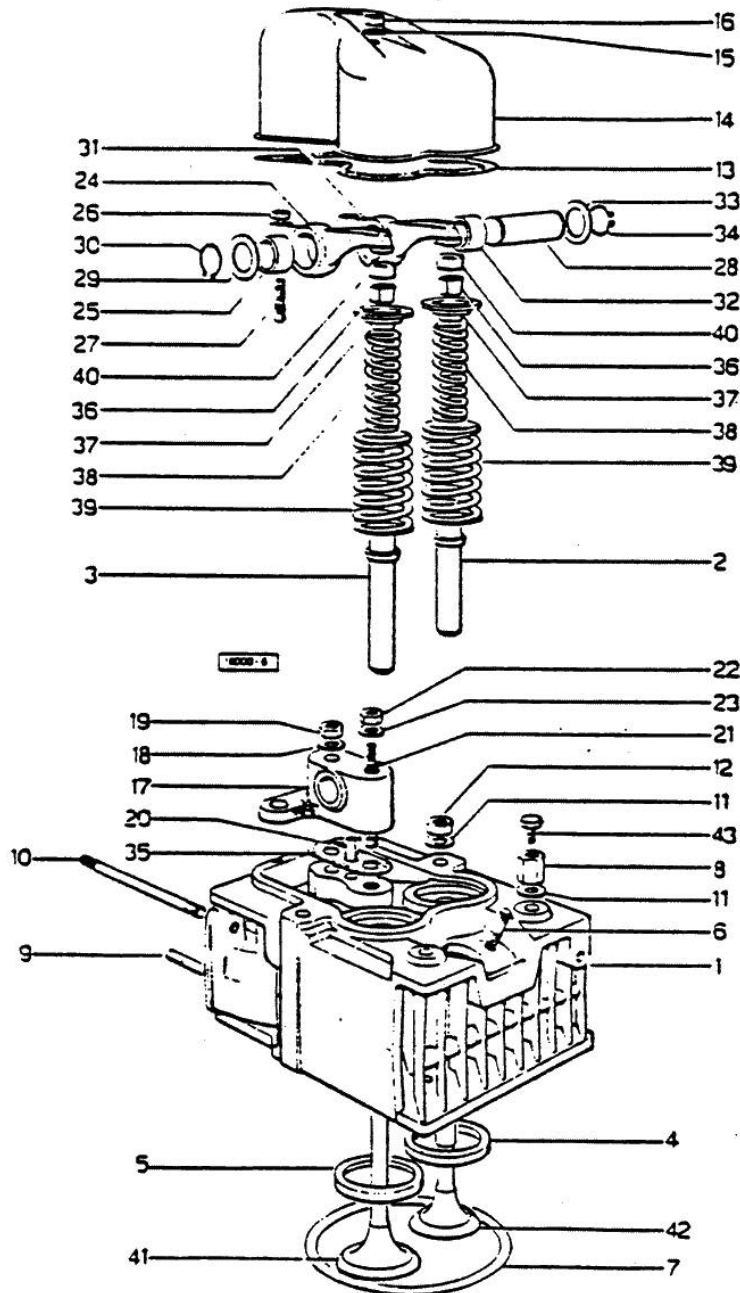
Notes:
[JAGUAR 95]

0	0.073.0057.6	1	gasket set
1	0.044.1450.3/50	5	engine head 10459 <=
1	0.062.1410.3/10	5	engine head => 10460
2	0.045.1417.0	5	valve guide 10459 <=
2	0.062.1417.0/10	5	valve guide => 10460
3	0.037.1416.0	5	valve guide 10459 <=
3	0.062.1416.0/10	5	valve guide => 10460
4	0.037.1452.0/10	5	valve seat 10459 <=
4	0.062.1450.0/10	5	valve seat => 10460
5	0.037.1451.0/10	5	valve seat 10459 <=
5	0.062.1451.0/10	5	valve seat => 10460
6	2.0439.087.1/20	10	stud bolt m 8 p.1.25 / p.1 x 40
7	2.1569.078.0/10	5	gasket 106x118x0.5
8	2.1019.037.0	7	special nut m 12 p.1.5
9	2.0432.007.2	9	stud bolt m 8 p.1.25 / p.1 x 30
10	2.0432.027.7	5	stud bolt m 8 p.1.25 - 1.00 x 120
11	2.1599.144.7	20	shoulder ring 12.5x23x4
12	2.1019.025.0	13	special nut m 12 p.1.5
13	0.029.1450.0/20	5	tappet gasket
14	0.039.1440.0	5	cap
15	2.1560.004.0	5	copper gasket 8.2 x 14
16	2.1099.056.2	5	special nut m 8 p.1 x 8
17	0.041.1430.0	5	support
18	2.1599.160.0	20	washer 10.5x19x4
19	2.1099.035.0	20	special nut m 10 p.1.25
20	0.029.1452.0	5	tube
21	0.039.1451.0	5	stud bolt
22	2.1011.421.2	5	nut m 10 p.1.25
23	2.1310.006.2	5	flat washer 10.5x21
24	0.002.5937.3/30	5	rocker arm
25	2.1559.021.0/40	5	bushing 15x19x22



Section: ENGINE
CYLINDER HEAD

Fig.	P/n	QTY	Name
26	2.1011.405.2	10	nut m 8 p.1
27	0.021.1434.0	10	screw
28	0.041.1431.0	5	pin
29	2.1599.019.0	5	shoulder ring 19.5x31x2
30	2.1410.055.7	5	circlip 19
31	0.002.5936.3/40	5	rocker arm
32	2.1559.021.0/40	5	bushing 15x19x22
33	2.1599.019.0	5	shoulder ring 19.5x31x2
34	2.1410.055.7	5	circlip 19
35	0.034.1450.0	5	tappet gasket
36	0.062.1423.0/10	10	conical valve cotter => 10460
36	0.074.1423.0	10	conical valve cotter 10459 <=
37	0.002.9215.0/20	10	cup 10459 <=
37	0.062.1425.0	10	cup => 10460
38	2.4019.194.0	10	spring 22.70x50.7x2.1
39	2.4019.193.0	10	spring 36.15x55.2x3.2
40	0.021.1453.0/20	10	small cover 10459 <=
40	0.062.1452.0	10	small cover => 10460
41	0.042.1420.2	5	inlet valve Ø mm 8 => 10460
41	0.052.1420.0	5	inlet valve Ø mm 9 10459 <=
42	0.039.1421.0	5	exhaust valve Ø mm 9 10459 <=
42	0.071.1420.2	5	exhaust valve Ø mm 8 => 10460
43	2.0119.053.1	3	screw



Section: ENGINE
LUBRICATION

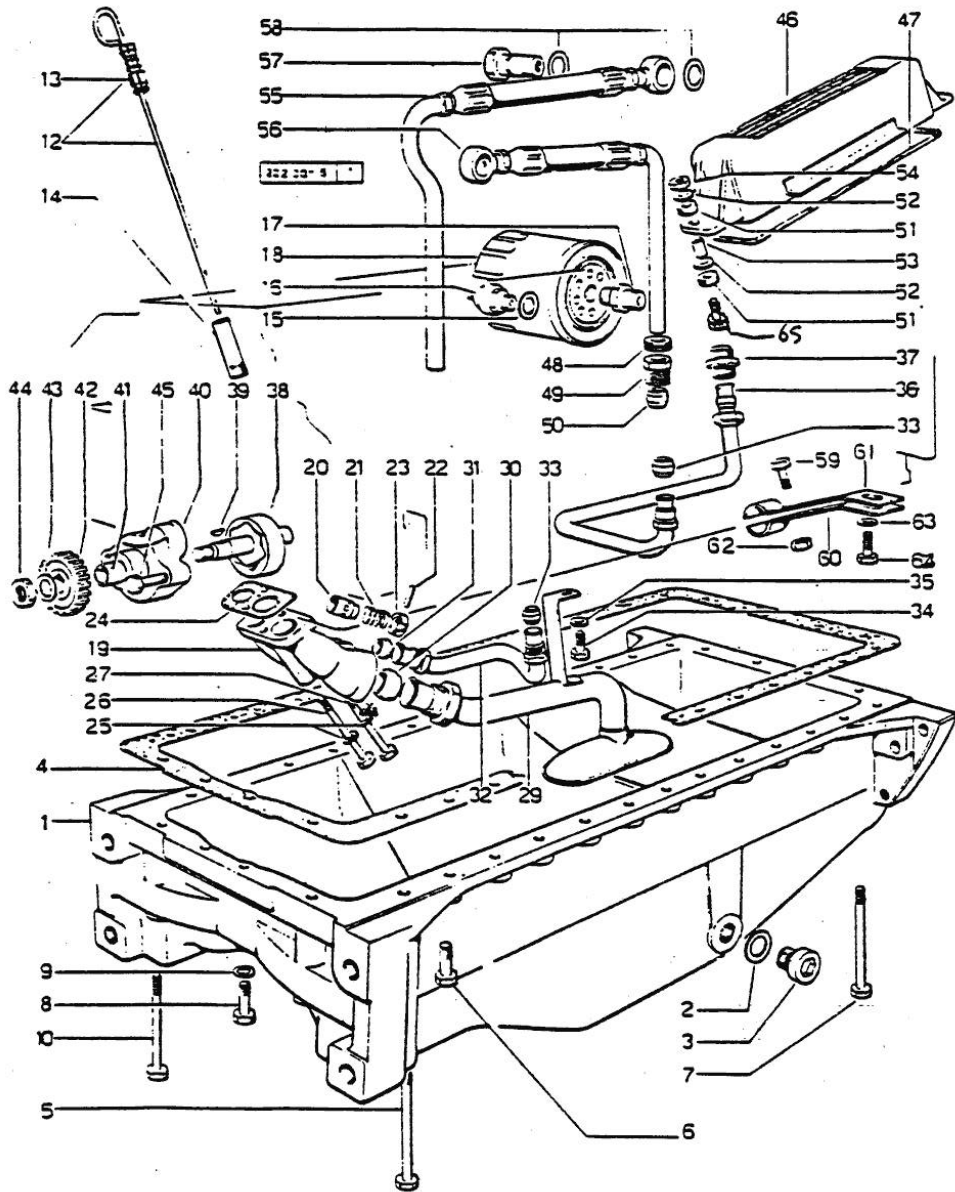


Fig.	P/n	QTY	Name
------	-----	-----	------

Notes:
[JAGUAR 95]

1	0.048.1510.0	1	oil sump
2	2.1560.054.0	1	gasket 21 x 26
3	2.3199.001.2	1	plug 1/2" gas
4	0.041.1512.0	1	gasket
5	2.0112.244.2	2	screw m 8 p.1.25 x 180
6	2.0112.215.2	22	screw m 8 p.1.25 x 40
7	2.0112.237.2	4	screw m 8 p.1.25x140
8	2.0112.217.2	2	screw m 8 p.1.25 x 45
9	2.1560.004.0	4	copper gasket 8.2 x 14
10	2.0112.231.2	2	screw m 8 p.1.25 x 110
12	0.041.1513.3	1	dipstick
13	0.034.1551.0	1	gasket
14	0.044.1555.0	1	spacer
15	2.1560.008.0	1	gasket 12.2 x 18
16	2.7099.460.0	1	pressure switch
17	2.3339.094.1/10	1	pipe fitting m 20 p.1.5-3/4 gas
18	0.041.1556.0	1	oil filter element
19	0.052.1530.0	1	tip => 10460
20	0.040.1550.0	1	small piston 10459 <=
20	0.052.1571.0	1	small piston => 10460
21	2.4019.241.1	1	spring 10459 <=
21	2.4019.270.1	1	spring 9.7x54x2 => 10460
22	2.1630.213.0	1	roll pin 3x32
23	0.040.1551.0	1	stop 10459 <=
23	0.054.1558.0/20	1	stop => 10460
24	0.037.1557.0/20	1	gasket
25	2.1480.014.1	2	washer 8
26	2.0112.225.2	1	screw m 8 p.1.25 x 80
27	2.0112.231.2	1	screw m 8 p.1.25 x 110
29	0.048.1531.3	1	tube
30	2.3359.017.1	1	nosepiece
31	2.3359.016.1	1	nosepiece
32	0.044.1560.2	1	tube
33	2.3359.015.1	2	nosepiece

Section: ENGINE
LUBRICATION

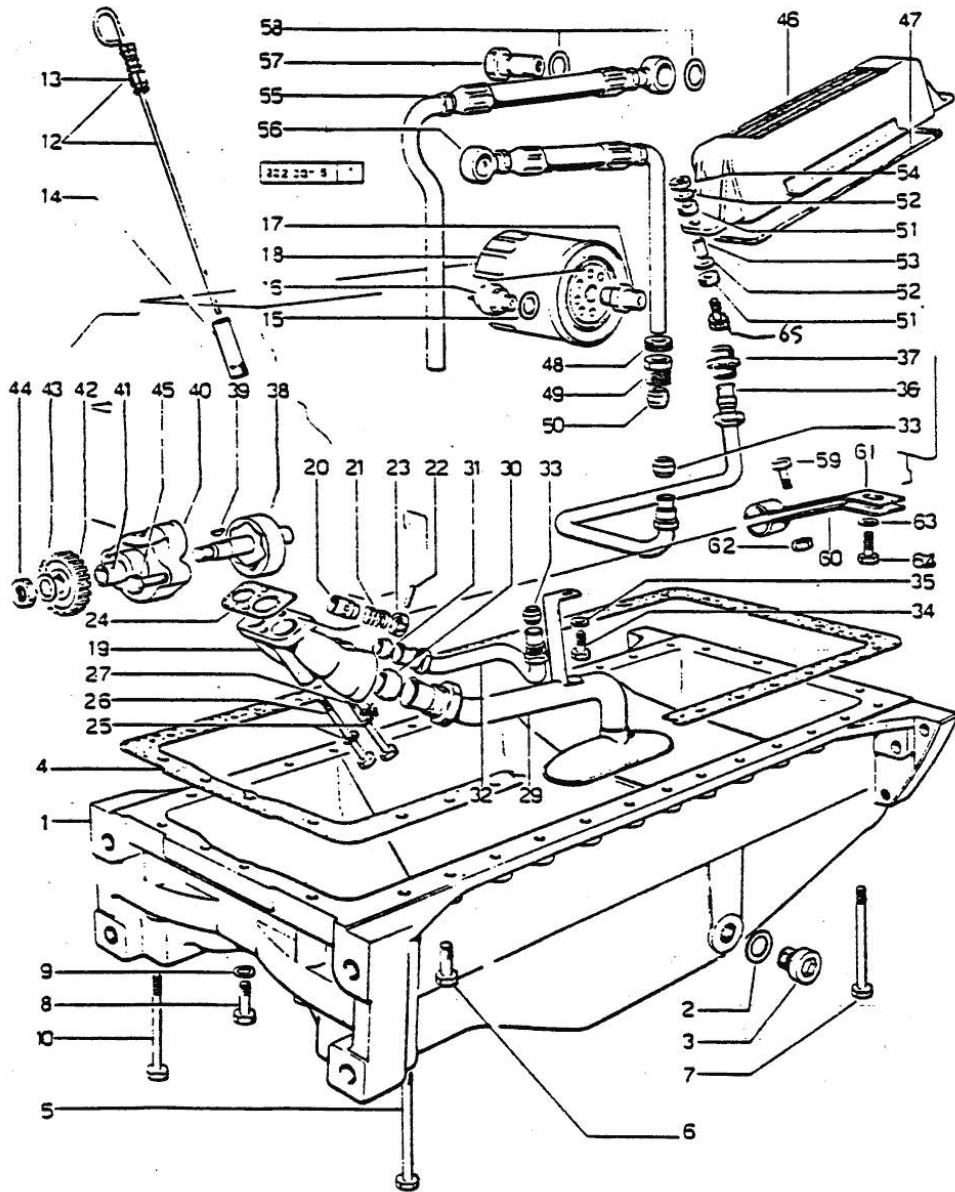


Fig.	P/n	QTY	Name
34	2.0112.204.2	1	screw m 8 p.1.25x14
35	2.1310.004.2	1	flat washer 8.4x17
36	0.048.1543.2/30	1	tube
37	2.3339.159.1/10	1	pipe fitting
38	0.040.1524.6	1	oil pump
39	2.1720.005.0	1	key 4x5
40	0.040.1524.6	1	oil pump
41	2.1559.086.0/10	1	bush
42	0.040.1521.0/10	1	gear z = 27
43	2.1310.007.2	1	flat washer 13 x 24
44	2.1121.109.2	1	self-locking nut m 12 p.1.25
45	2.0112.219.2	2	screw m 8 p.1.25x55
46	0.072.1540.2	1	oil cooler
47	0.047.1552.0	1	gasket
48	2.6560.013.0	2	wire guide 18x1.5
49	2.3339.167.2	2	pipe fitting
50	2.3359.012.0	2	nosepiece 10x16.8
51	0.021.1560.0	4	rubber plug
52	2.1599.006.2	4	shoulder ring 8.4x25x2
53	2.1579.159.2	2	spacer 8.8x12x16
54	2.1011.105.2	2	nut m 8 p.1.25
55	0.047.1550.2/30	1	tube
56	0.047.1551.2/30	1	tube
57	2.3339.107.1	2	pipe union m 22
58	2.1560.018.0	4	gasket 22.2 x 29
59	2.0112.207.2	1	screw m 8 p 1.25 x 20
60	0.046.1550.0	1	bracket
61	0.046.1551.0	1	bracket
62	2.1011.105.2	1	nut m 8 p.1.25
63	2.1310.004.2	1	flat washer 8.4x17
64	2.0112.207.2	1	screw m 8 p 1.25 x 20
65	2.0122.213.2	2	screw m 8 p.1x35

Thank you so much for reading.
Please click the “Buy Now!”
button below to download the
complete manual.



After you pay.

You can download the most
perfect and complete manual in
the world immediately.

Our support email:

ebooklibonline@outlook.com