

Section: ENGINE

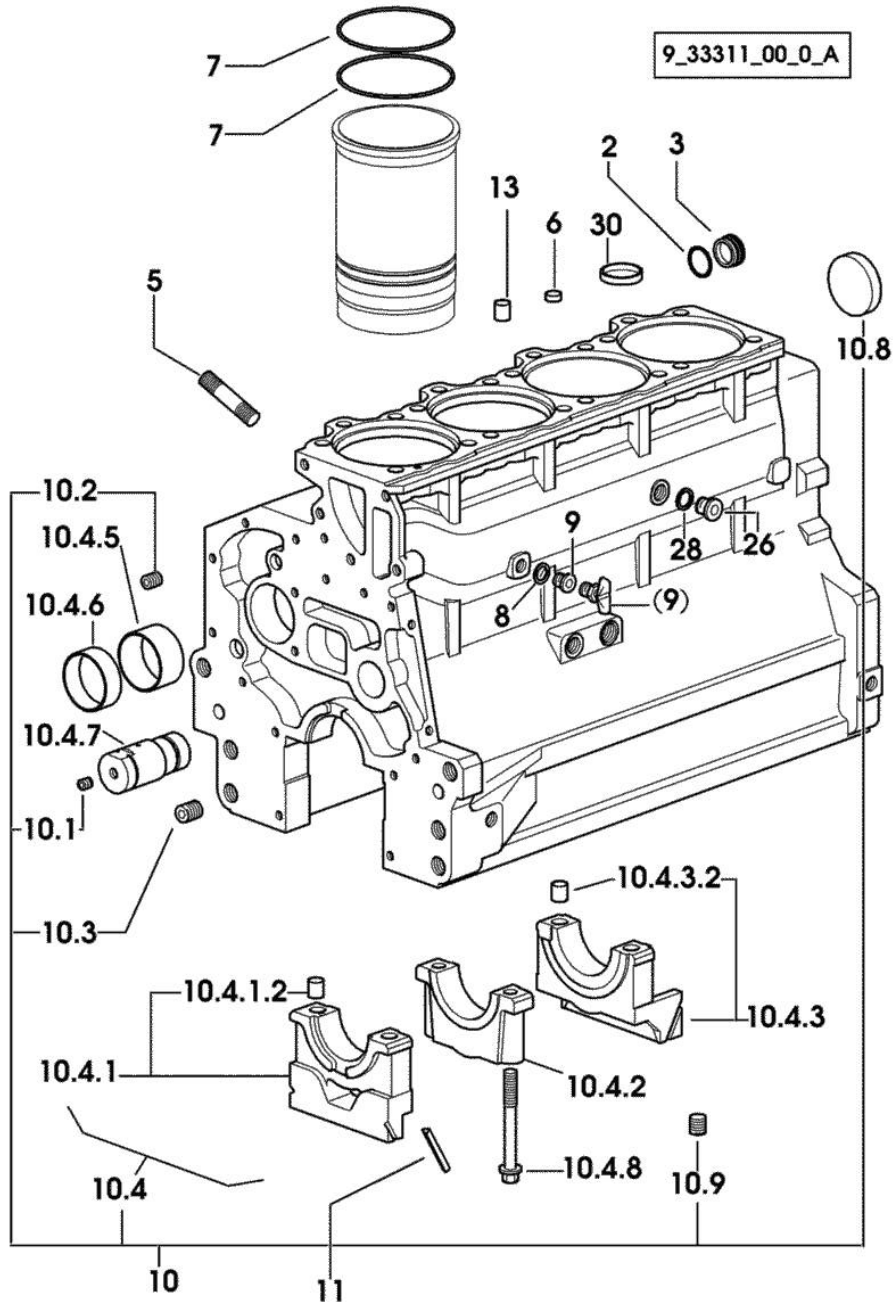
**ENGINE BEARING**

Fig.	P/n	QTY	Name
------	-----	-----	------

Notes:

[KRYPTON 90 -> 1100]

2	2.1532.072.0	1	oil seal 26.70x1.78
3	2.3199.405.2	1	plug m 28 p.1.5
5	2.0432.003.7	12	stud bolt m 8 p.1.25 / p.1 x 20
6	2.1559.188.2	4	bush 11.4 x 14 x16
7	2.1539.193.0	8	special oil seal 107.62x2.62
8	2.1560.010.0	1	gasket 14.2 x 20
9	2.3199.292.0	1	plug 1/4" gas
10	0.082.1110.6/20	1	crankcase
10.1	2.3130.001.1	11	plug 1/8" gas
10.2	2.3130.002.1	2	plug 1/4" gas
10.3	2.3130.003.1	5	plug 3/8" gas
10.4	0.000.0000.1		cannot be supplied
10.4.1	0.065.1112.7	1	support
10.4.1.2	2.1699.165.0	1	bush 12.3x15x16
10.4.2	0.065.1114.0/10	3	support
10.4.3	0.065.1116.3	1	support
10.4.3.2	2.1699.165.0	1	bush 12.3x15x16
10.4.5	0.065.1140.0	4	special bushing 59X55X20
10.4.6	0.065.1141.0	1	special bushing 59X55X30
10.4.7	0.066.1151.0	1	pin
10.4.8	0.065.1117.0	10	screw m 12 x 100
10.8	2.3179.012.0	1	plug 60
10.9	2.1324.011.0	1	plug
11	0.066.1152.0/10	4	gasket
13	2.1549.154.2	4	bush 4.8x5.8x16
26	2.3120.101.0	1	plug m 18 p.1.5
28	2.1560.014.0	1	washer 18.2 x 24
30	2.3171.010.4	1	plug 25

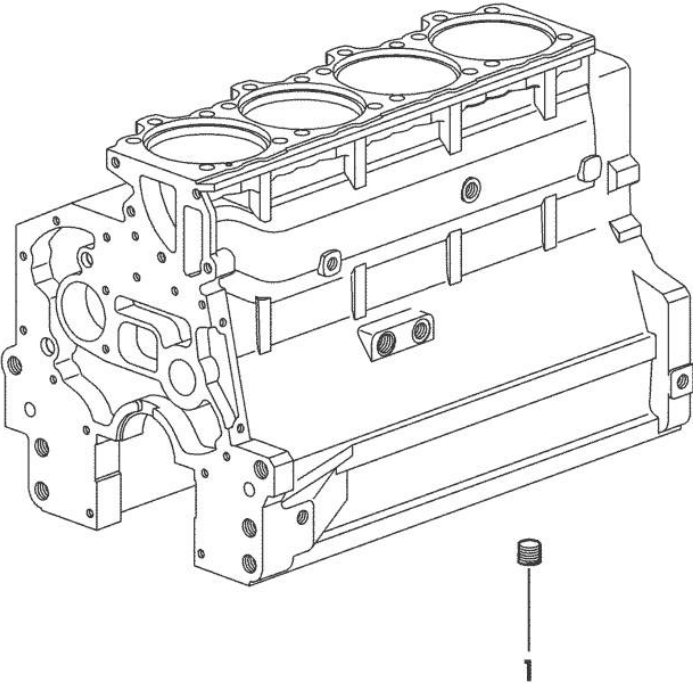


**PLUG**

Fig.	P/n	QTY	Name
------	-----	-----	------

Notes:  
[KRYPTON 90 -> 1100]

1	2.3130.003.1	1	plug 3/8" gas
---	--------------	---	---------------



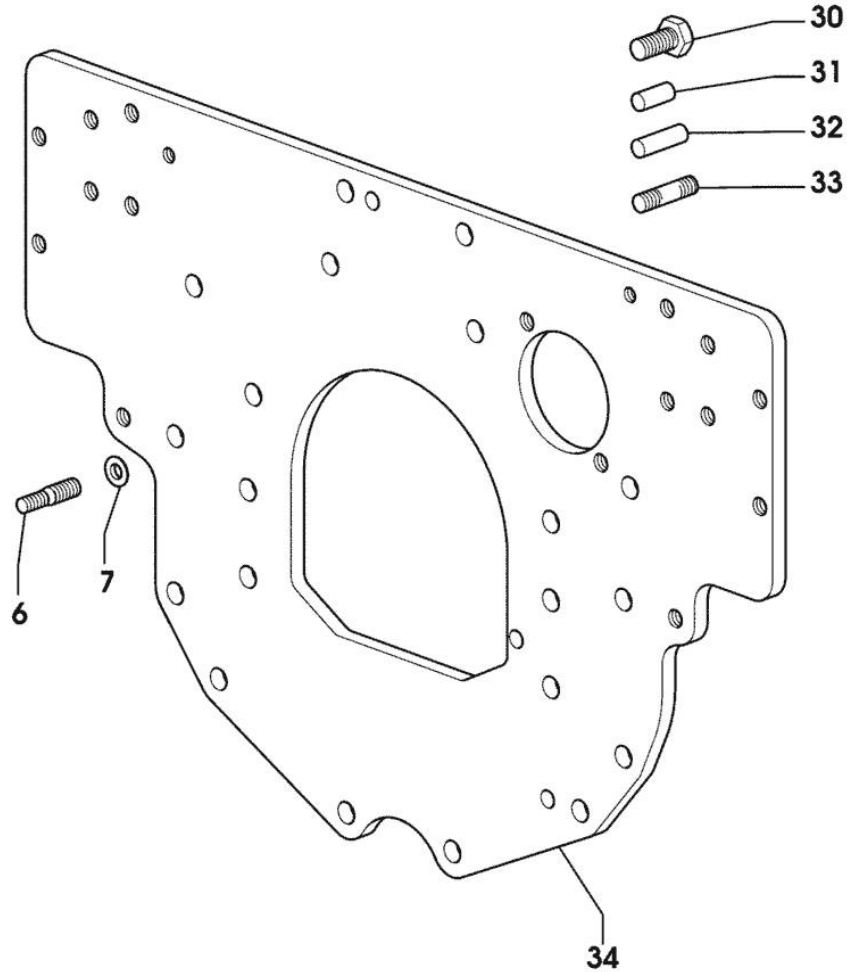
9\_34311\_06\_0\_0

**MONOBLOC ENGINE-GEARBOX CONNECTING FLANGE**

Fig.	P/n	QTY	Name
------	-----	-----	------

**Notes:**

[KRYPTON 90 -> 1100]



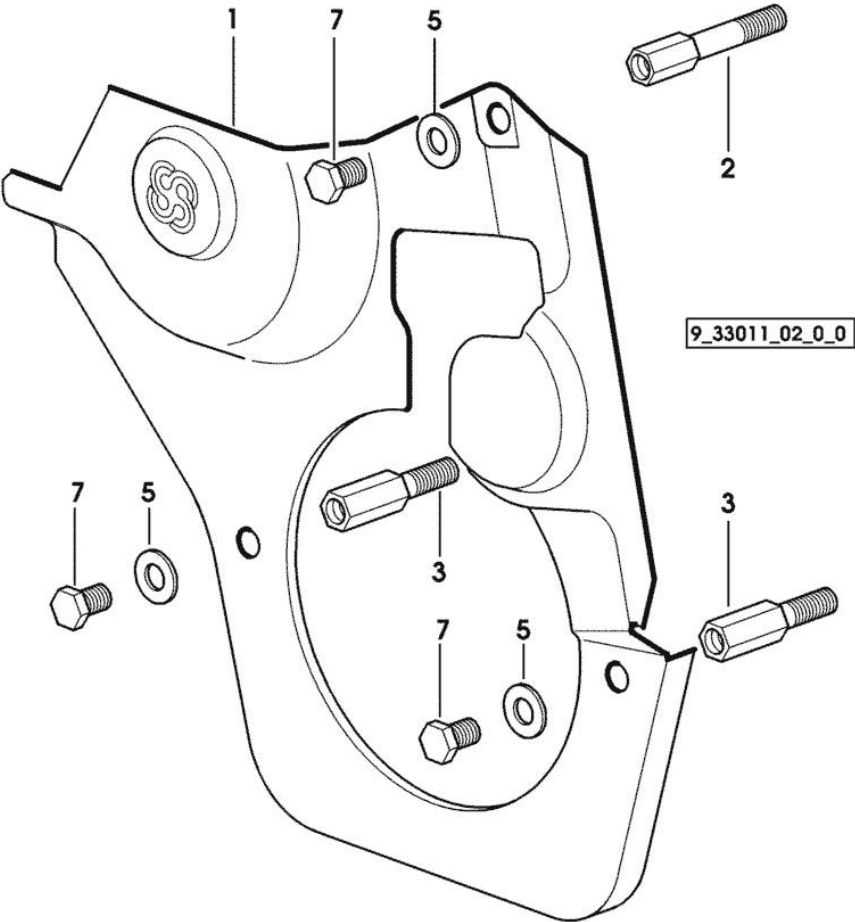
6	2.0439.250.7	1	stud bolt m 12 / m 10 x 30
7	0.011.9294.0/10	1	bush
30	2.0112.511.2	8	screw m 14 p.2 x 30
31	2.1651.912.0	2	cylindrical plug 12x28
32	2.1651.917.0	1	cylindrical plug 12x40
33	2.0432.257.7	1	stud bolt m 12 p.1.75 - 1.25 x 30
34	0.013.3120.0	1	flange

Section: ENGINE  
GUARD PLATE

Fig.	P/n	QTY	Name
------	-----	-----	------

Notes:  
[KRYPTON 90 -> 1100]

1	0.007.1262.3/50	1	guard
2	0.007.1271.0/10	1	small column m 8 p.1.25 / L = mm 60
3	0.007.1272.0/10	2	small column m 8 p.1.25 / L = mm 50
5	2.1310.004.2	3	flat washer 8.4x17
7	2.0112.203.2	3	screw m 8 p.1.25 x 12



**TIMING CASE**

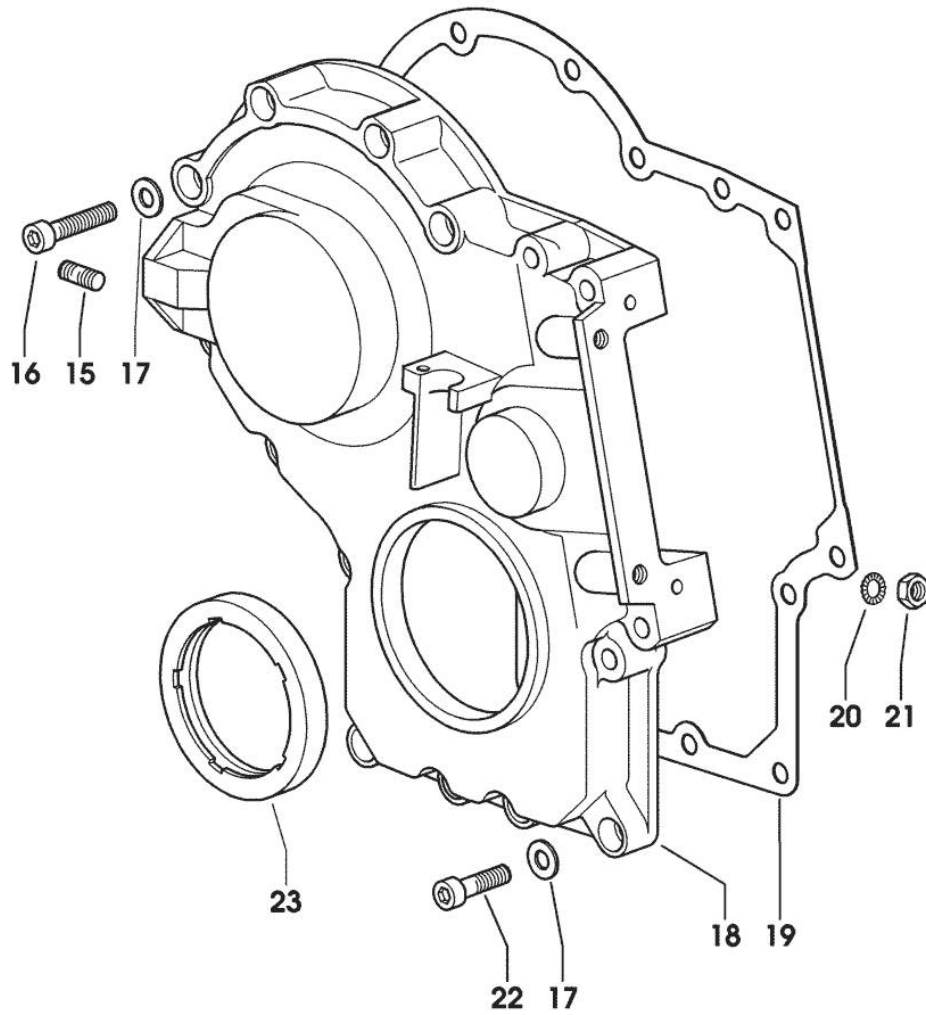
9\_33311\_00\_0\_B

Fig.	P/n	QTY	Name
------	-----	-----	------

**Notes:**

[KRYPTON 90 -> 1100]

15	2.0432.003.7	2	stud bolt m 8 p.1.25 / p.1 x 20
16	2.0312.214.2	7	screw m 8 p.1.25 x 40
17	2.1480.014.1	15	washer 8
18	0.013.4981.0	1	guard
19	0.065.1150.0/30	1	gasket
20	2.1470.004.2	4	lock washer 8
21	2.1011.405.2	2	nut m 8 p.1
22	2.0312.208.2	8	screw m 8 p.1.25 x 25
23	2.1529.141.0	1	special oil seal



Section: ENGINE

**CRANKSHAFT**

9\_33212\_00\_0\_0

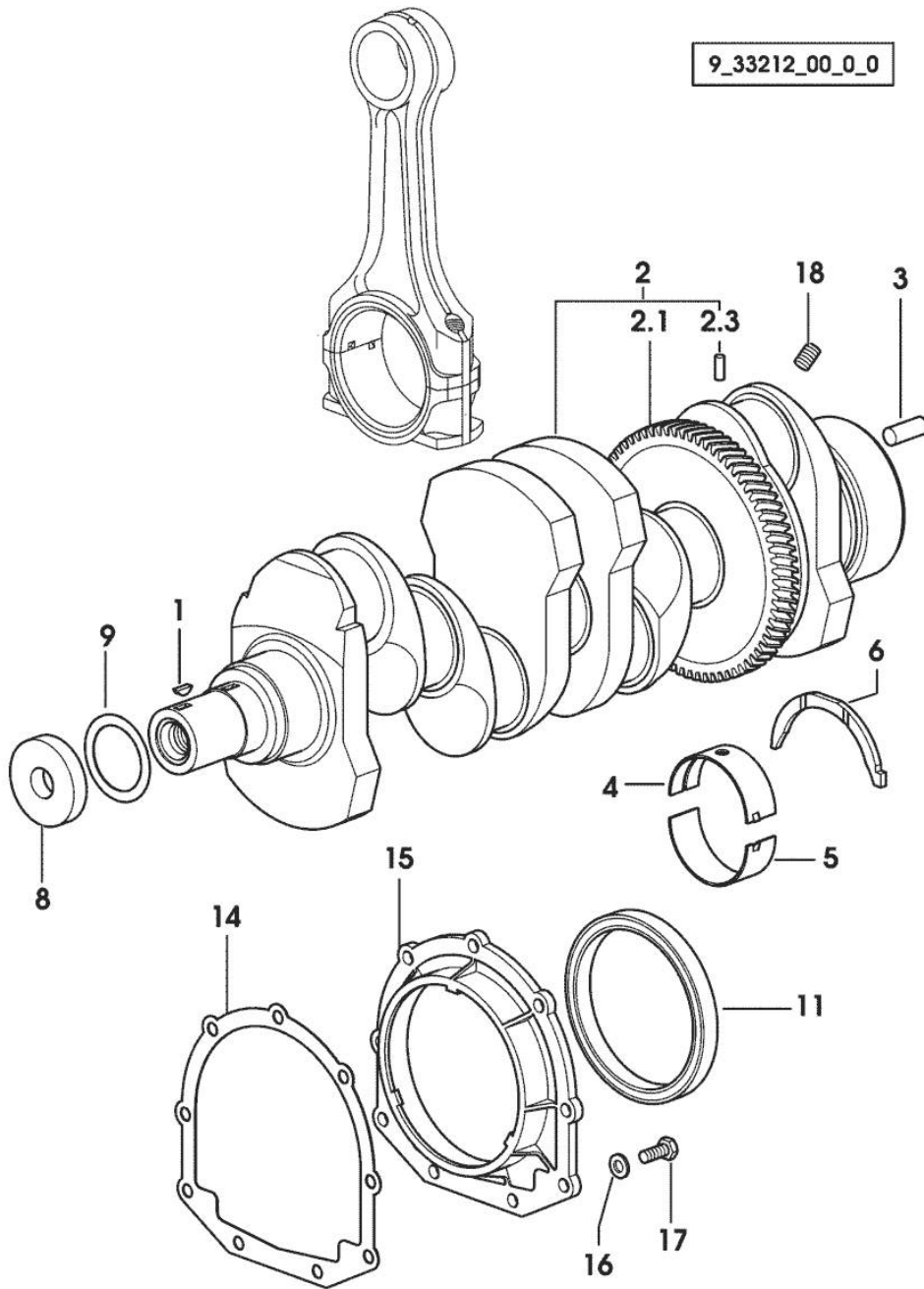


Fig.	P/n	QTY	Name
------	-----	-----	------

Notes:  
[KRYPTON 90 -> 1100]

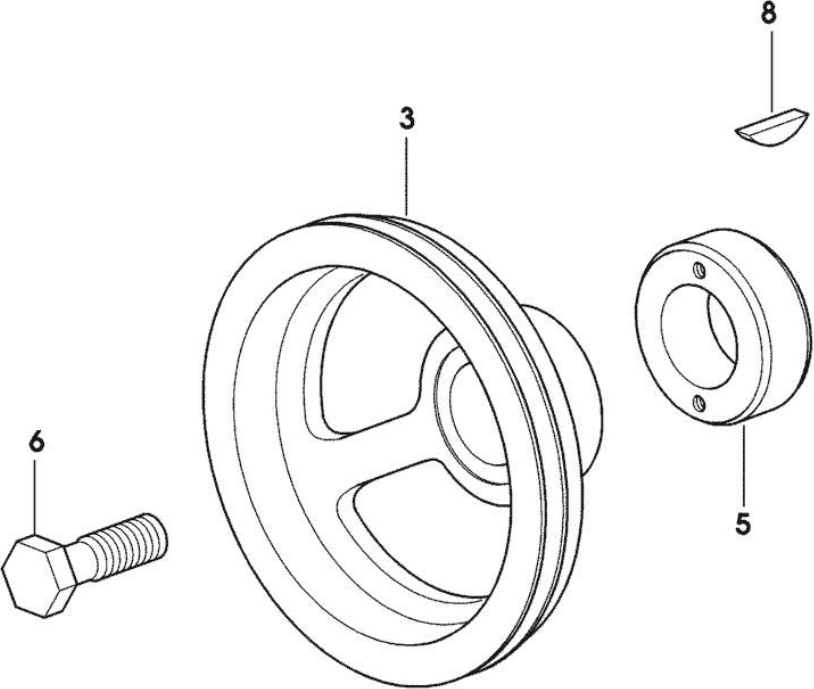
1	2.1720.006.0	1	key 4x6.5
2	0.086.1210.3/30	1	crankshaft
2.1	0.065.1211.0/10	1	crown wheel
2.3	2.1630.608.0	1	pin 6x16
3	2.1651.915.0	1	pin 12x35
4	0.065.1215.0	5	main half bushing STANDARD
4	0.065.1215.7		main half bushing - mm 0.25
4	0.065.1215.8		main half bushing - mm 0.50
5	0.065.1216.0	5	main half bushing
5	0.065.1216.7		main half bushing - mm 0.25
5	0.065.1216.8		main half bushing - mm 0.50
6	0.065.1218.0	4	shim STANDARD
6	0.065.1218.7		shim + mm 0.10
6	0.065.1218.8		shim + mm 0.15
8	2.1599.524.7	1	washer 21x60x12
9	2.1589.189.0	2	shoulder ring mm 1.00
11	2.1529.073.0	1	special oil seal 110x130x13
14	0.065.1254.0/20	1	gasket
15	0.007.1711.0/10	1	cover
16	2.1475.002.2	9	conical washer 8
17	2.0112.207.2	9	screw m 8 p 1.25 x 20
18	2.3130.001.1	4	plug 1/8" gas

**CRANKSHAFT PULLEY**

Fig.	P/n	QTY	Name
------	-----	-----	------

Notes:  
[KRYPTON 90 -> 1100]

3	0.007.1457.0/20	1	pulley
5	0.085.1248.0/10	1	hub
6	2.0399.144.7/10	1	screw m 20 p.1.5x51
8	2.1720.006.0	1	key 4x6.5



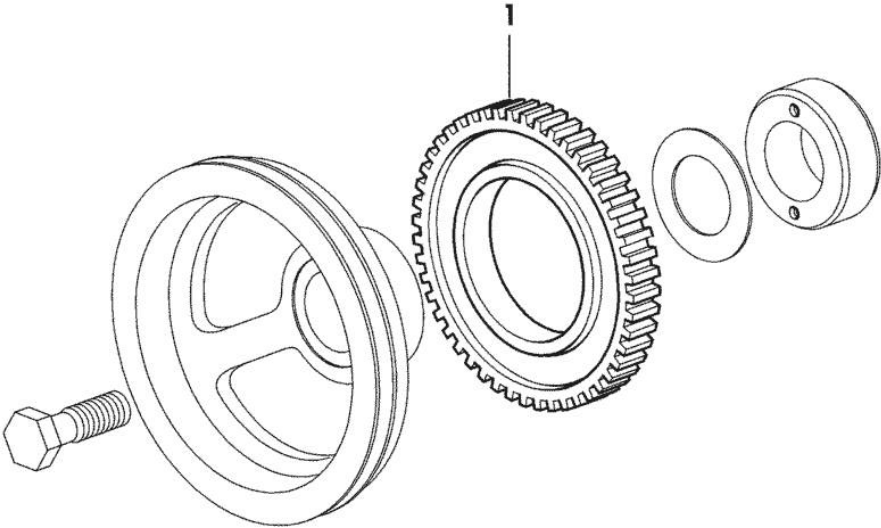
9\_33312\_02\_0\_0

Section: ENGINE  
**PULSE WHEEL**

Fig.	P/n	QTY	Name
------	-----	-----	------

Notes:  
[KRYPTON 90 -> 1100]

1	0.011.3531.0	1	gear Z = 48
---	--------------	---	-------------



9\_36812\_05\_0\_0



**CYLINDER - PISTON - CONNECTING ROD**

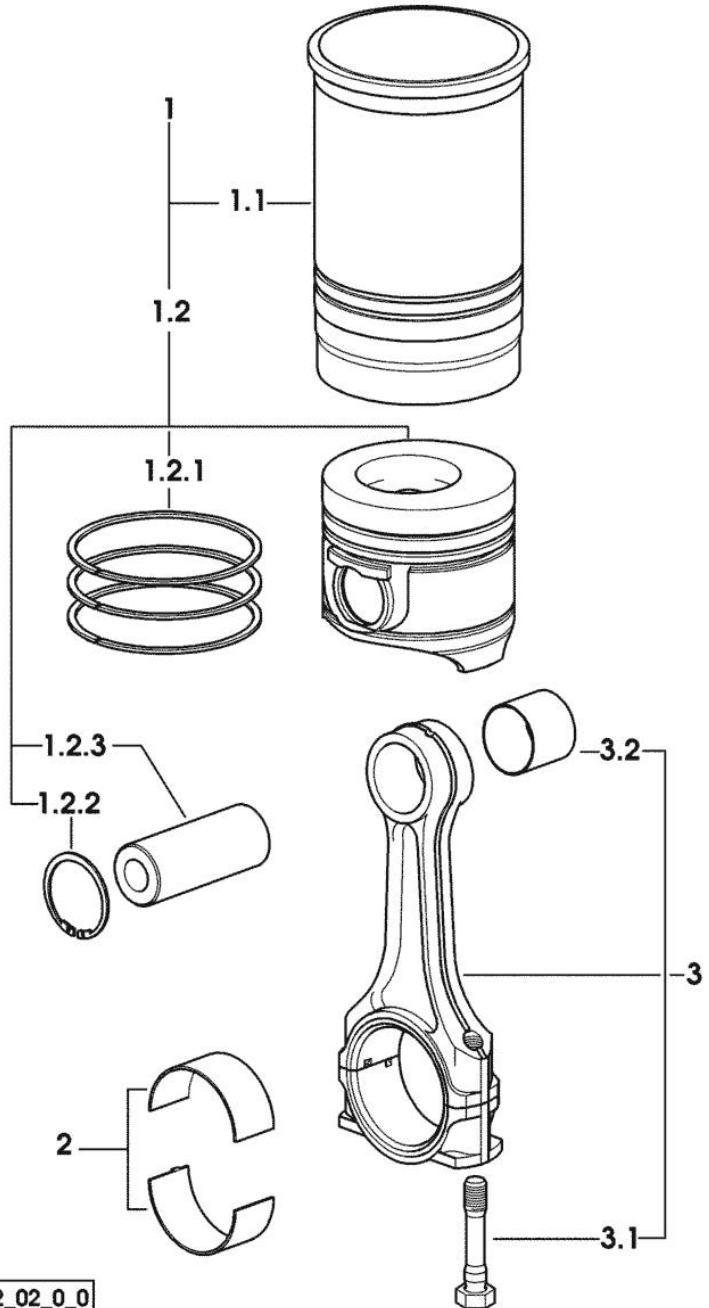


Fig.	P/n	QTY	Name
------	-----	-----	------

**Notes:**

[KRYPTON 90 -> 1100]

1	0.382.0065.A	4	cyl. piston assembly "A" - CLASS A
1	0.382.0065.B	4	cyl. piston assembly "B" - CLASS B
1.1	0.011.0183.0/20	1	engine cylinder 3917 <= X KRYPTON 90 53742 <= X KRYPTON 100
1.1	0.A12.2675.0	1	engine cylinder "A" => 3918 X KRYPTON 90 => 53743 X KRYPTON 100 - CLASS A
1.1	0.B12.2675.0	1	engine cylinder "B" => 3918 X KRYPTON 90 => 53743 X KRYPTON 100 - CLASS B
1.2	0.382.0060.6/10	1	complete piston 3917 <= X KRYPTON 90 53742 <= X KRYPTON 100
1.2	0.382.0060.A	1	complete piston "A" => 3918 X KRYPTON 90 => 53743 X KRYPTON 100 - CLASS A
1.2	0.382.0060.B	1	complete piston "B" => 3918 X KRYPTON 90 => 53743 X KRYPTON 100 - CLASS B
1.2.1	0.081.0090.6/10	1	piston ring set
1.2.2	2.1411.014.1	2	circlip 35
1.2.3	0.078.1236.0	1	piston pin Ø 18 / Ø 35 / L = mm 86
2	0.065.1225.0	8	con.rod half bushing STANDARD - A = 28.75 -> 29.00
2	0.065.1225.7	8	con.rod half bushing - mm 0.25
2	0.065.1225.8	8	con.rod half bushing - mm 0.50
3	0.078.1220.3/30	4	engine connecting rod
3.1	2.0399.213.0	2	screw m 12 p.1.25x61.5
3.2	2.1559.114.0/10	1	special bushing

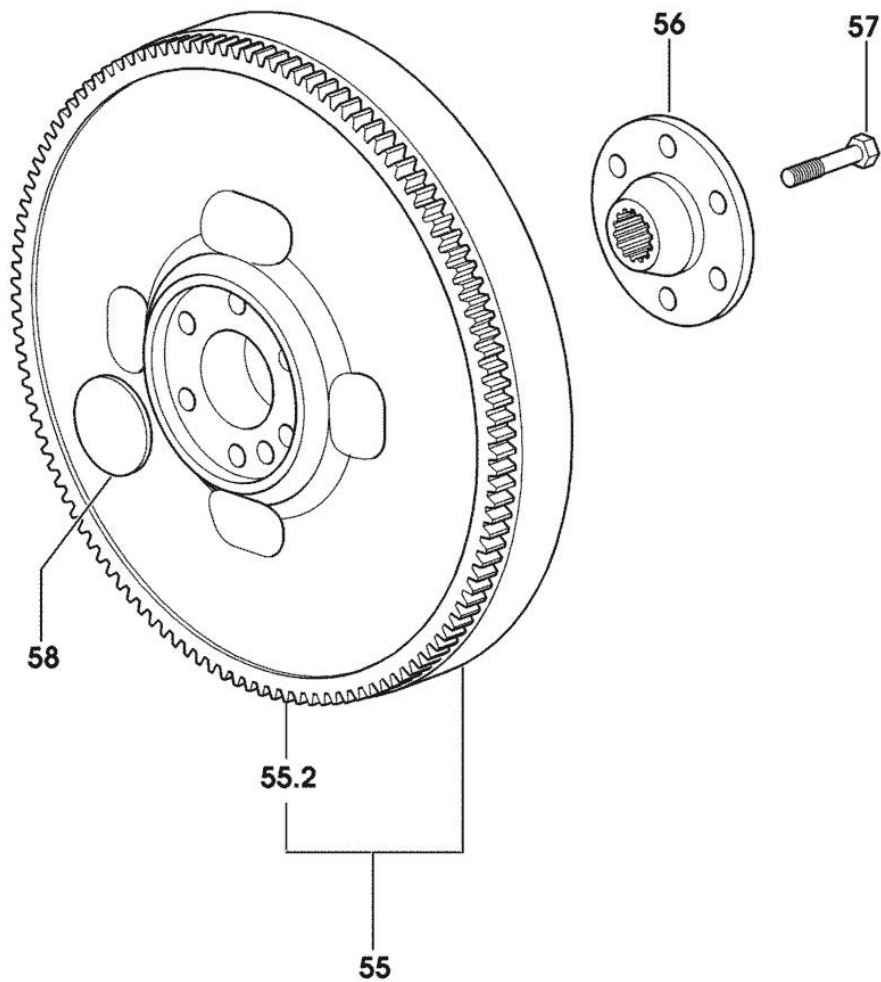
**ENGINE FLYWHEEL**

Fig.	P/n	QTY	Name
------	-----	-----	------

**Notes:**

1112 <- X KRYPTON 80 1119 <- X KRYPTON 90 [KRYPTON 90 -> 1100]

55	0.066.1247.3/20	1	flywheel
55.2	0.065.1242.0	1	crown wheel Z = 123
56	0.255.2525.0/10	1	flange
57	2.0139.022.2	6	screw m 12 p.1.25x55
58	2.3199.135.2	1	plug



9\_33212\_06\_0\_0

Section: ENGINE

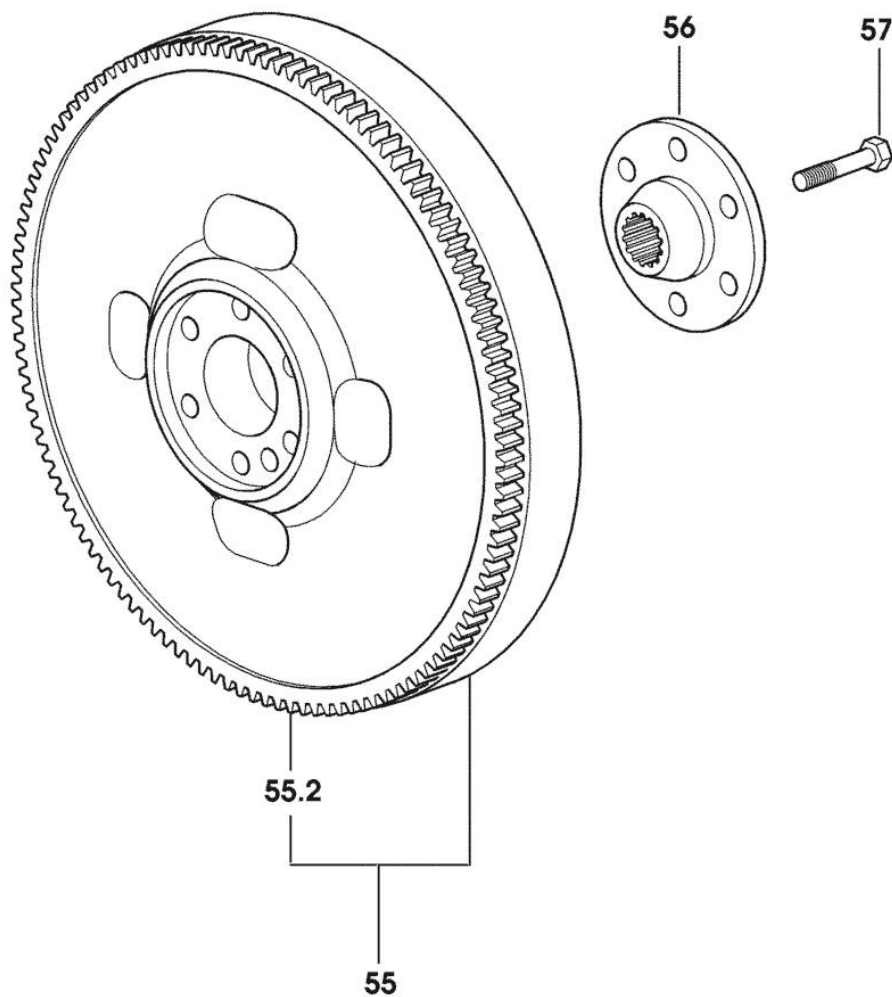
**ENGINE FLYWHEEL**

Fig.	P/n	QTY	Name
------	-----	-----	------

**Notes:**

-> 1113 X KRYPTON 80 -> 1120 X KRYPTON 90 [KRYPTON 90 -> 1100]

55	0.066.1247.3/20	1	flywheel
55.2	0.065.1242.0	1	crown wheel Z = 123
56	0.255.2525.0/10	1	flange
57	2.0139.022.2	6	screw m 12 p.1.25x55



9\_32612\_04\_0\_0

Thank you so much for reading.  
Please click the “Buy Now!”  
button below to download the  
complete manual.



After you pay.

You can download the most  
perfect and complete manual in  
the world immediately.

Our support email:

[ebooklibonline@outlook.com](mailto:ebooklibonline@outlook.com)