

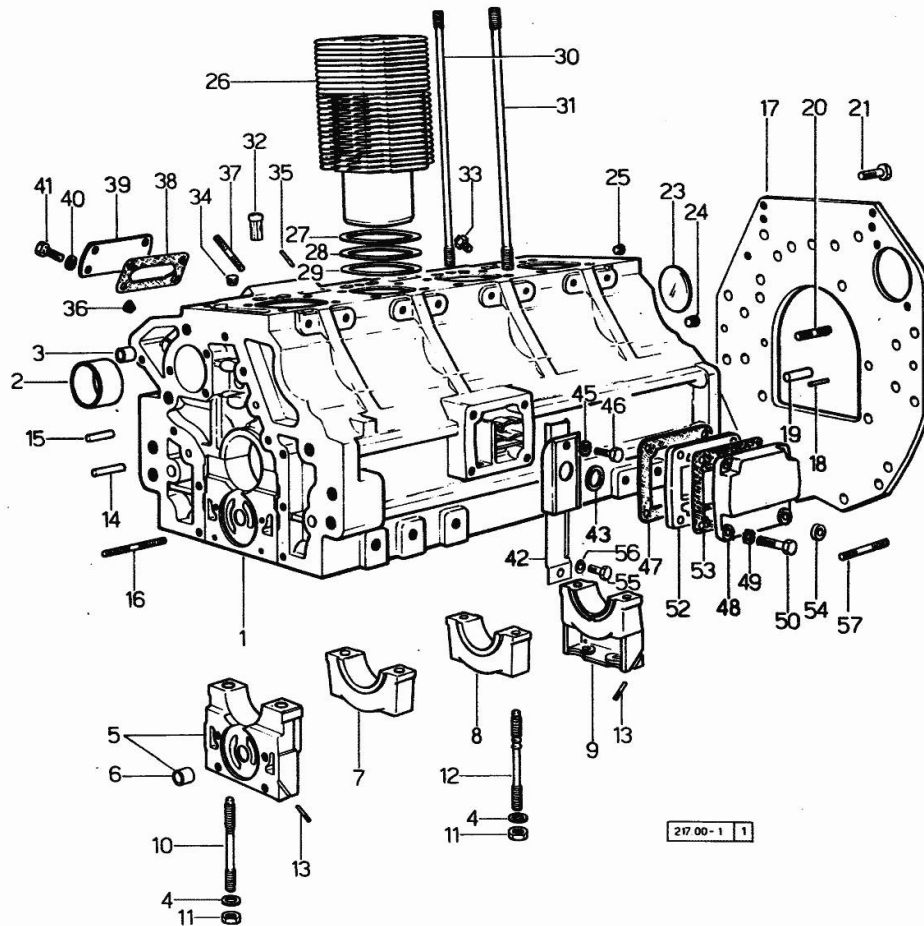
Section: ENGINE

**CRANKCASE**

Fig.	P/n	QTY	Name
------	-----	-----	------

**Notes:**

[LEOPARD C]



0	0.044.0050.6	1	gasket set FOR ENGINE ASSEMBLY
1	0.045.1110.4	1	crankcase
2	0.037.1155.0	1	bushing
3	2.1559.111.0/10	2	special bushing 11.5x14.1x10
4	2.1599.144.0	10	shoulder
5	0.004.8774.3	1	support
6	2.1559.090.0/10	1	bushing 14.24x19.06x27
7	0.037.1114.0	1	support
8	0.029.1113.0	2	support
9	0.029.1116.0	1	support
10	0.021.1157.0	4	stud bolt
11	2.1019.026.1	10	special nut m 12 p.1.5
12	0.029.1117.0	6	stud bolt
13	0.029.1154.0	4	gasket
14	2.1699.114.0	1	pin 8x55
15	2.1653.711.0	1	pin
16	2.0432.025.1	2	stud bolt m 8 p 1.25-1x100
17	0.045.1152.0/10	1	plate
18	2.1653.708.0	2	pin 8x18
19	2.1652.911.0	2	cylindrical plug 12x25
20	2.0432.153.1	2	stud bolt m 10 p.1.5 / p.1.25 x 20
21	2.0112.513.1	11	screw m 14 p.2 x 35
23	2.3170.022.1	1	expansion plug 60
24	2.3130.003.1	2	plug 3/8" gas
25	2.3130.002.1	1	plug 1/4" gas
26	0.044.1120.0/10	4	engine cylinder
27	2.1589.052.0	8	shoulder ring 115x123x0.2
28	2.1589.051.0	4	shoulder ring 116x123x0.1
29	2.1569.076.0	4	gasket 116x123x0.5
30	0.041.1123.0	4	stud bolt m 10
31	0.039.1122.0	16	stud bolt m 12 p.1.5x310
32	0.044.1156.0	8	special bushing
33	0.071.1151.3	4	valve
34	2.3130.001.1	4	plug 1/8" gas
35	2.1653.507.0	2	pin
36	2.3139.001.1	5	plug
37	2.0432.003.1	4	stud bolt m 8 p.1.25 / p.1 x 20
38	0.044.1151.0	1	gasket
39	0.044.1164.2/10	1	small cover
40	2.1310.004.2	4	flat washer 8.4x17

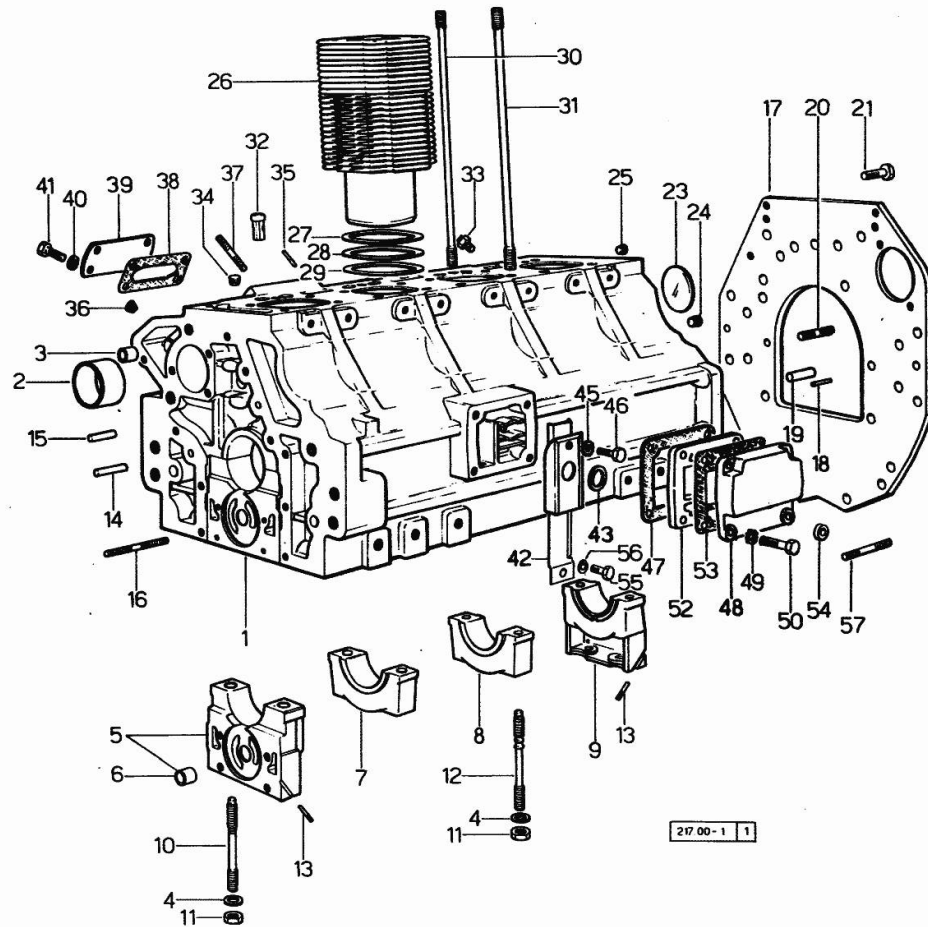
Section: ENGINE  
CRANKCASE

Fig.	P/n	QTY	Name
41	2.0112.204.2	2	screw m 8 p.1.25x14
41	2.0119.116.2	2	screw m 8 p.1.25x14
42	0.044.1162.2	1	small guard
43	0.045.1150.0	1	oil seal
45	2.1474.009.1	1	spring washer 8
46	2.0312.206.2	1	screw m 8 p 1.25 x 20
47	0.044.1153.0/10	1	gasket
48	0.044.1163.0	1	cover
49	2.1474.009.1	4	spring washer 8
50	2.0112.211.2	4	screw m 8 p.1.25 x 30
50	2.0112.217.2	2	screw m 8 p.1.25 x 45
52	0.044.1160.0/10	1	container
53	0.044.1161.0	1	gasket
54	2.1579.358.0	1	spacer 8.5x20x11
55	2.0112.204.2	1	screw m 8 p.1.25x14
56	2.1310.004.2	1	flat washer 8.4x17
57	2.0432.257.1	2	stud bolt m 12 p.1.75 - 1.25 x 30

## Section: ENGINE

## TIMING CASE

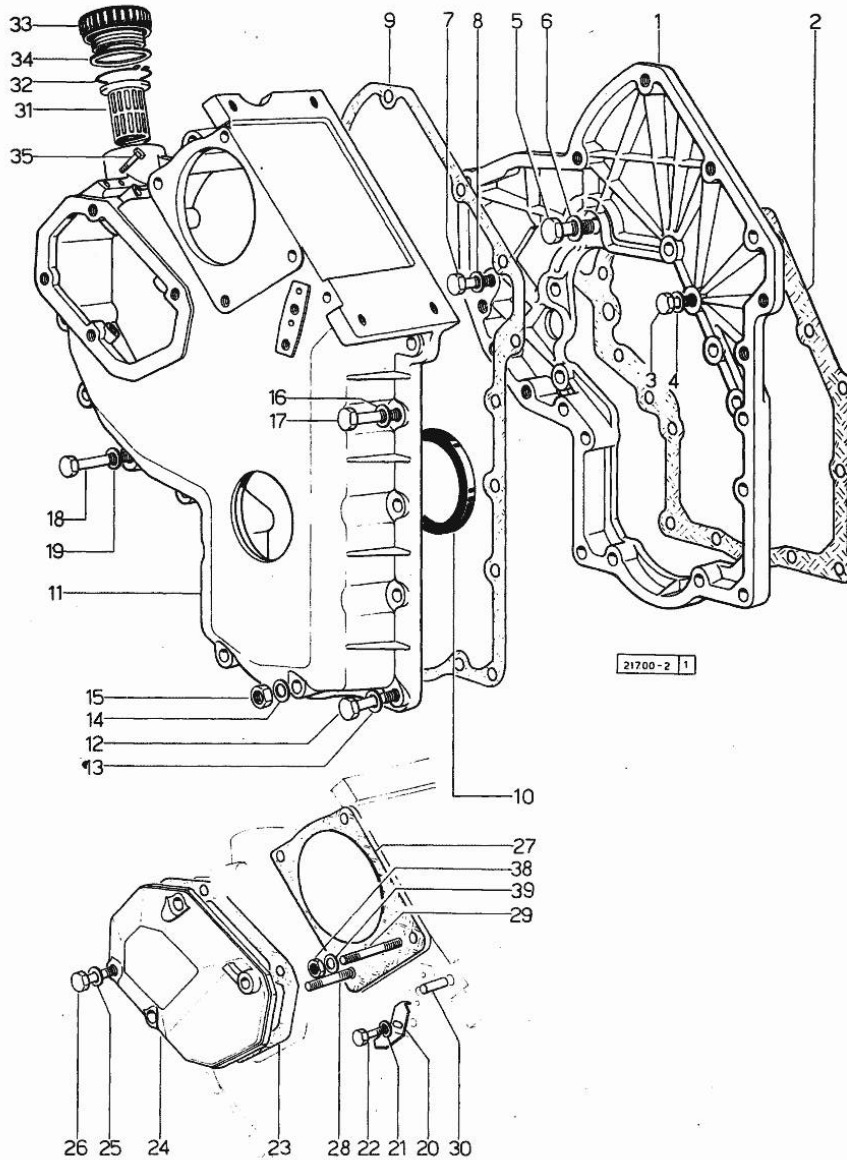
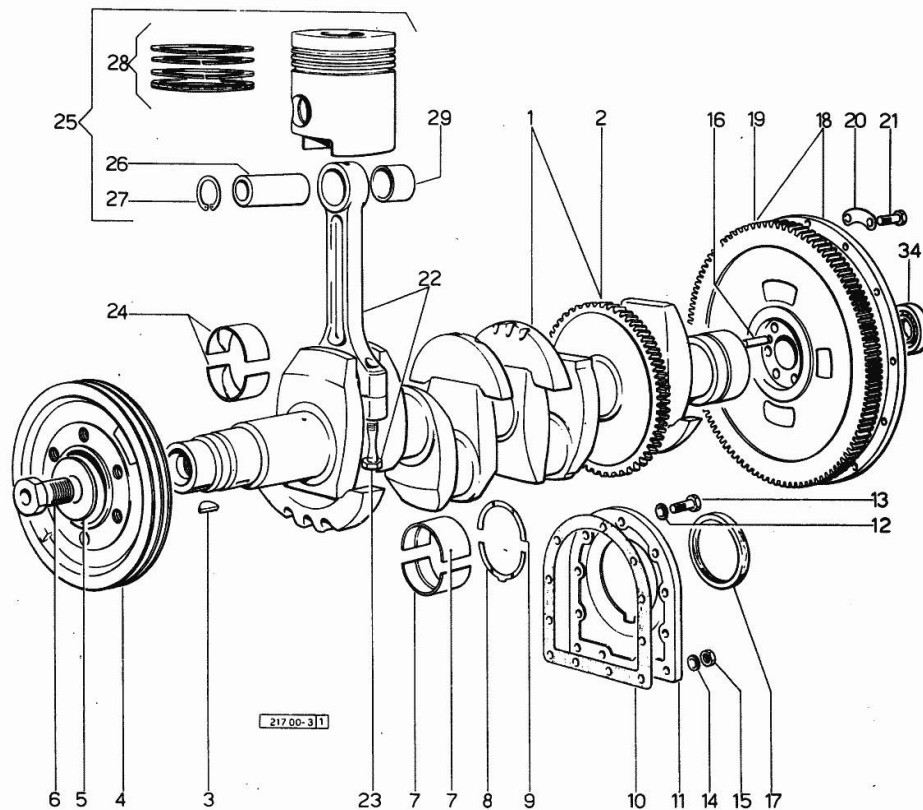


Fig.	P/n	QTY	Name
<b>Notes:</b>			
[LEOPARD C]			
1	0.048.1131.0	1	flange
2	0.041.1153.0	1	gasket
3	2.0112.209.2	5	screw m 8 p 1.25 x 25
4	2.1474.009.1	5	spring washer 8
5	2.0119.034.1	1	screw m 14 p.2x20
6	2.1560.010.0	1	gasket 14.2 x 20
7	2.0112.207.2	1	screw m 8 p 1.25 x 20
8	2.1474.009.1	1	spring washer 8
9	0.041.1152.0	1	gasket
10	2.1519.010.0	1	special oil seal 58x80x10
11	0.048.1132.0/10	1	guard
12	2.0112.217.2	5	screw m 8 p.1.25 x 45
13	2.1474.009.1	5	spring washer 8
14	2.1560.003.0	2	copper gasket 8.2 x 12
15	2.1011.405.2	2	nut m 8 p.1
16	2.1474.009.1	2	spring washer 8
17	2.0112.211.2	2	screw m 8 p.1.25 x 30
18	2.0112.222.2	4	screw m 8 p.1.25x65
19	2.1474.009.1	4	spring washer 8
20	0.041.1158.0	1	index
21	2.1310.004.2	1	flat washer 8.4x17
22	2.0112.204.2	1	screw m 8 p.1.25x14
23	0.048.1152.0	1	gasket
24	0.048.1150.0/20	1	cover
25	2.1560.006.0	4	gasket 10.2 x 16
26	2.0112.315.2	4	screw m 10 p.1.5 x 40
27	0.041.1154.0	1	gasket
28	2.0432.015.1	1	stud bolt m 8 p 1.25 - m 8 p. 1x50
29	2.0432.028.1	3	stud bolt m 8 p.1.25-1x130
30	2.1653.717.0	1	pin 8 x 40
31	0.041.1159.0/10	1	filter
32	2.1411.012.1	1	circlip 30
33	0.041.1135.3	1	plug
34	2.1569.072.0	1	gasket 32 x 39.5 x 2
35	2.0119.081.2	2	screw
38	2.1011.505.2	4	nut m 8 p.1
39	2.1310.004.2	4	flat washer 8.4x17

Section: ENGINE  
CRANKSHAFT

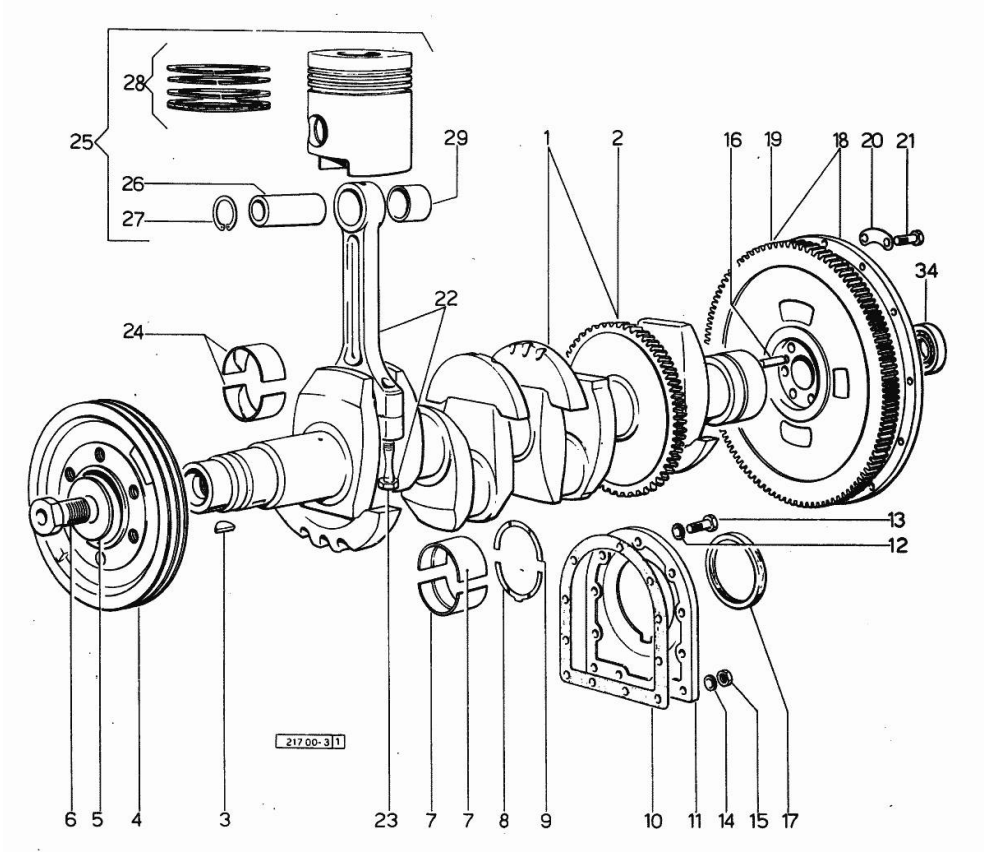
Fig.	P/n	QTY	Name
------	-----	-----	------

Notes:  
[LEOPARD C]

1	0.044.1267.4/20	1	crankshaft
1	2.1630.611.0	1	roll pin 6 x 24
2	0.044.1265.0/10	1	gear
3	2.1799.002.0	1	stick 10x13
4	0.054.1250.0	1	pulley
5	0.001.6020.0	1	shoulder
6	2.0129.032.2	1	screw m 24 p.2x45
7	0.029.0066.0		main half bushing - mm 1.00
7	0.029.1215.0/10	10	main half bushing
7	0.029.1215.7		main half bushing - mm 0.25
7	0.029.1215.8		main half bushing - mm 0.50
7	0.029.1215.9		main half bushing - mm 0.75
8	0.001.4547.0		shoulder ring + mm 0.05
8	0.001.4548.0		shoulder ring + mm 0.10
8	0.001.4549.0		shoulder ring + mm 0.15
8	0.042.1219.0	2	shoulder ring STANDARD
9	0.001.4544.0		shoulder ring + mm 0.05
9	0.001.4545.0		shoulder ring + mm 0.10
9	0.001.4546.0		shoulder ring + mm 0.15
9	0.042.1218.0	2	shoulder ring STANDARD
10	0.029.1250.0	1	gasket
11	0.029.1240.0	1	flange
12	2.1474.010.1	7	spring washer 10
13	2.0112.309.2	7	screw m 10 p.1.5 x 25
14	2.1560.006.0	2	gasket 10.2 x 16
15	2.1011.421.2	2	nut m 10 p.1.25
16	2.1652.915.0	2	cylindrical plug 12x35
17	2.1519.009.0/10	1	special oil seal
18	0.042.1251.3	1	flywheel 12"
19	0.036.1242.0	1	crown wheel Z = 126, mm 15
20	2.1379.006.0	3	lock-tab 15x15x36,5
21	2.0122.515.7	6	screw
22	0.052.1220.3/10	4	engine connecting rod
23	0.039.1250.0	8	screw m 14 p.1.5x63
24	0.039.0068.0		con.rod half bushing - mm 1.016
24	0.039.1225.0	8	con.rod half bushing
24	0.039.1225.7		con.rod half bushing -mm 0.254
24	0.039.1225.8		con.rod half bushing -mm 0.508
24	0.039.1225.9		con.rod half bushing -mm 0.762
25	0.046.0060.6/10	4	complete piston
25	0.046.0061.6/10		complete piston + mm 0.5

Section: ENGINE  
CRANKSHAFT

Fig.	P/n	QTY	Name
25	0.046.0062.6/10		complete piston + mm 1
26	0.038.1236.0/10	4	piston pin Ø 18 / Ø 35 / L = mm 90
27	2.1411.014.1	8	circlip 35
28	0.073.0052.6	4	piston ring set
28	0.073.0053.6		piston ring set + mm 0.5
28	0.073.0054.6		piston ring set + mm 1.0
29	0.002.4168.0	4	bearing
34	2.2061.005.0	1	ball bearing iso 17 bc 03



Section: ENGINE

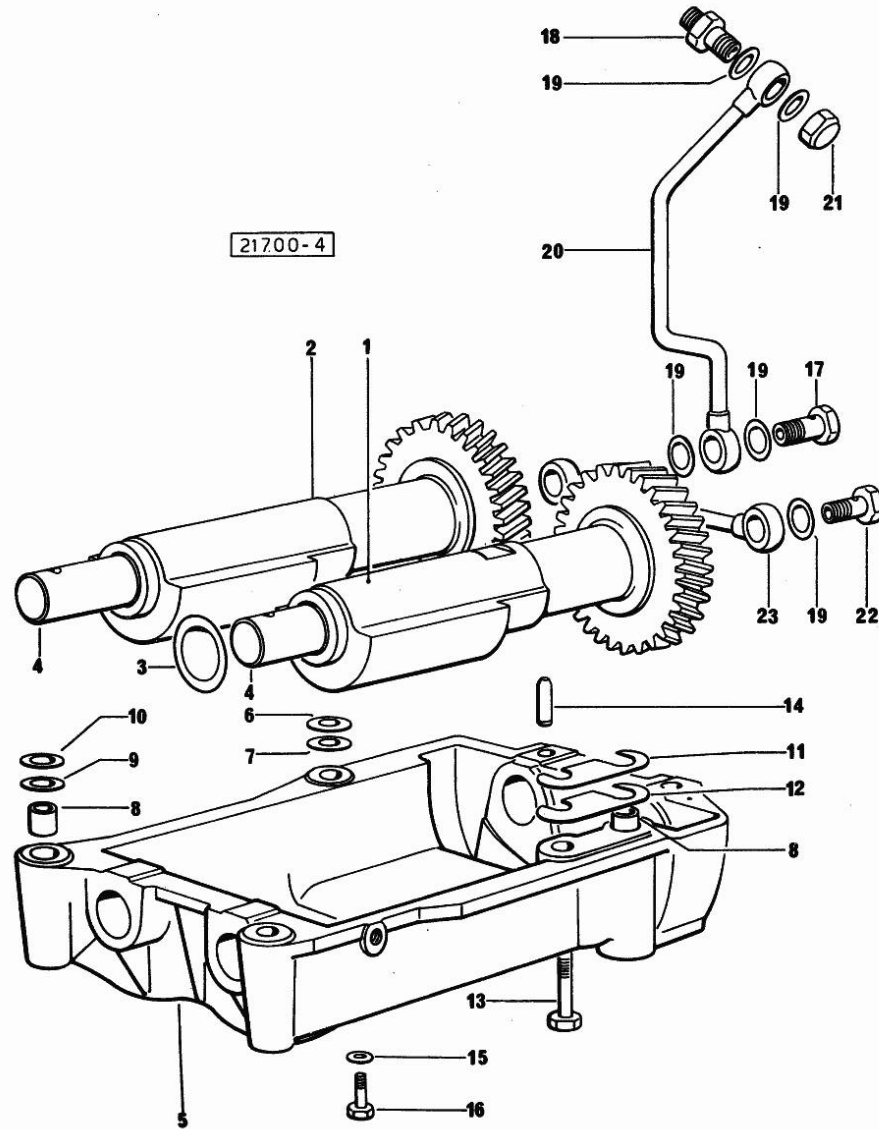
**CRANKSHAFT - COUNTER-ROTATING WEIGHTS**

Fig.	P/n	QTY	Name
------	-----	-----	------

**Notes:**

[LEOPARD C]

1	0.044.1263.3/20	1	mass sx/lh/li
1	2.1559.115.0	2	special bushing 26x30x30
2	0.044.1261.3/10	1	mass dx/rh/re
2	2.1559.115.0	2	special bushing 26x30x30
3	2.1589.050.0/10	4	shoulder ring 26.1x38x1
4	0.044.1266.0/20	2	shaft
5	0.044.1260.0/20	1	shaft
6	2.1589.049.0	2	shoulder ring 12.5x26x0.3
7	2.1579.629.0	2	spacer 12.5x26x0.1
8	2.1579.626.0	2	spacer 13.2x16x11
9	2.1579.628.0	1	spacer 16.5x26x0.1
10	2.1589.048.0	1	shoulder ring 16.5x26x0.3
11	2.1379.038.0	2	shim mm 0.1
12	2.1379.039.0	1	shim mm 0.3
13	2.0112.426.1	2	screw m 12 p.1.75x85
14	2.1631.717.0	2	roll pin 8 x 40
15	2.1474.009.1	2	spring washer 8
16	2.0112.204.2	2	screw m 8 p.1.25x14
17	2.3339.515.1	1	pipe union m 12 p.1.25
18	2.3319.041.1	1	pipe union m 12 p.1.25-p.1.75
19	2.1560.007.0	7	gasket 12.2x16
20	0.044.1562.2	1	tube
21	2.1019.048.1	1	special nut m 12 p.1.5
22	2.3332.003.1	1	pipe union m 12 p.1.25
23	0.319.1550.3	1	tube



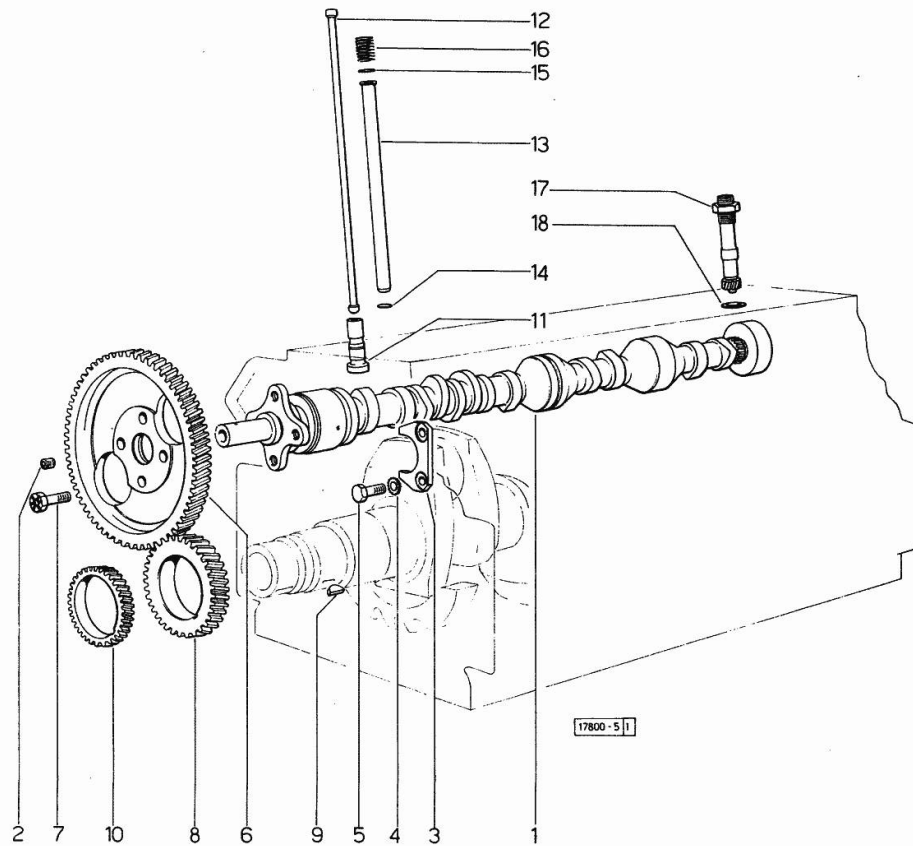
Section: ENGINE

**CAMSHAFT**

Fig.	P/n	QTY	Name
------	-----	-----	------

**Notes:**

[LEOPARD C]



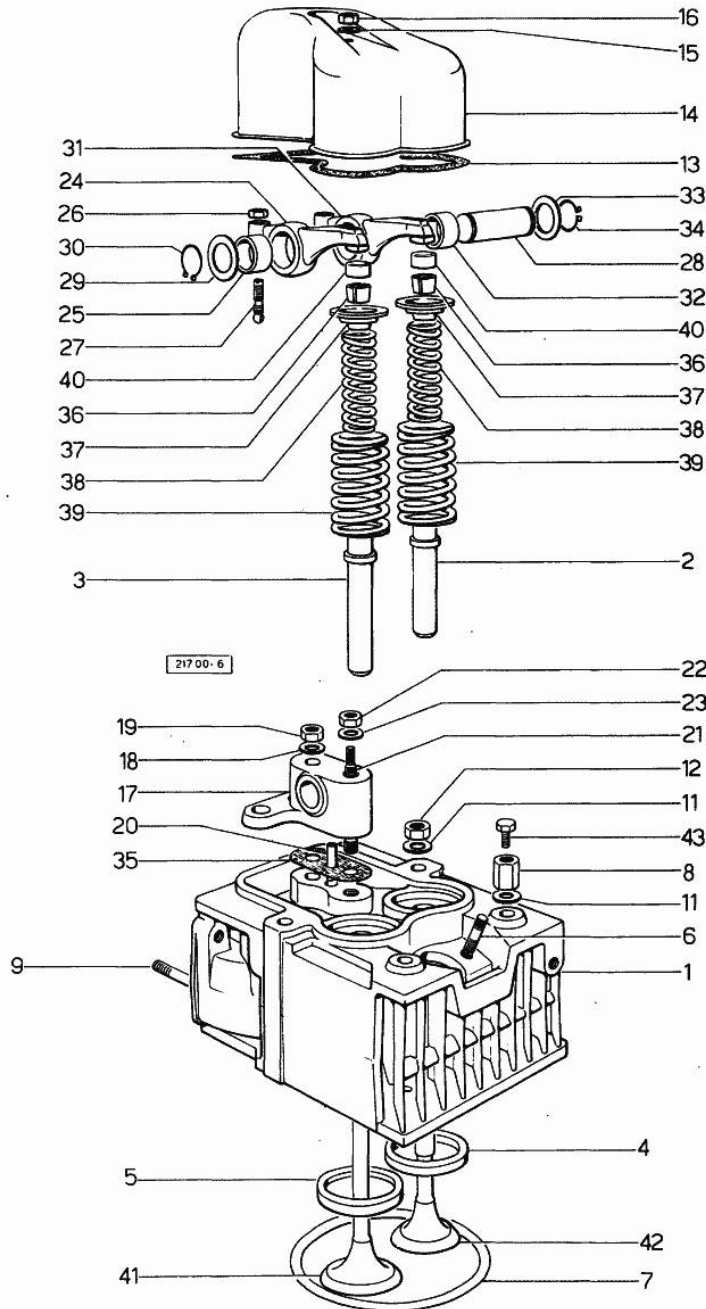
1	0.044.1310.0/10	1	camshaft
2	2.3130.001.1	1	plug 1/8" gas
3	0.027.1314.0	1	flange
4	2.1470.004.2	2	lock washer 8
5	2.0312.206.2	2	screw m 8 p 1.25 x 20
6	0.062.1321.0	1	gear z=66
7	2.0139.005.1	4	screw m 10 p.1 x 25
8	0.040.1320.0	1	gear z = 33
9	2.1720.010.0	1	key 5x9
10	0.040.1323.0/10	1	gear Z = 38
11	0.052.1330.0/20	8	tappets
12	0.041.1331.3	8	rod
13	0.041.1332.0	8	sleeve
14	2.1539.020.0	8	special oil seal 13.95x2.62
15	2.1539.019.0	8	oil seal
16	2.4019.162.1/20	8	spring 17.2x46x1.8
17	0.041.1355.3	1	transmission
18	2.1560.013.0	1	gasket 18.2x22

Section: ENGINE  
**CYLINDER HEAD**

Fig.	P/n	QTY	Name
------	-----	-----	------

 Notes:  
 [LEOPARD C]

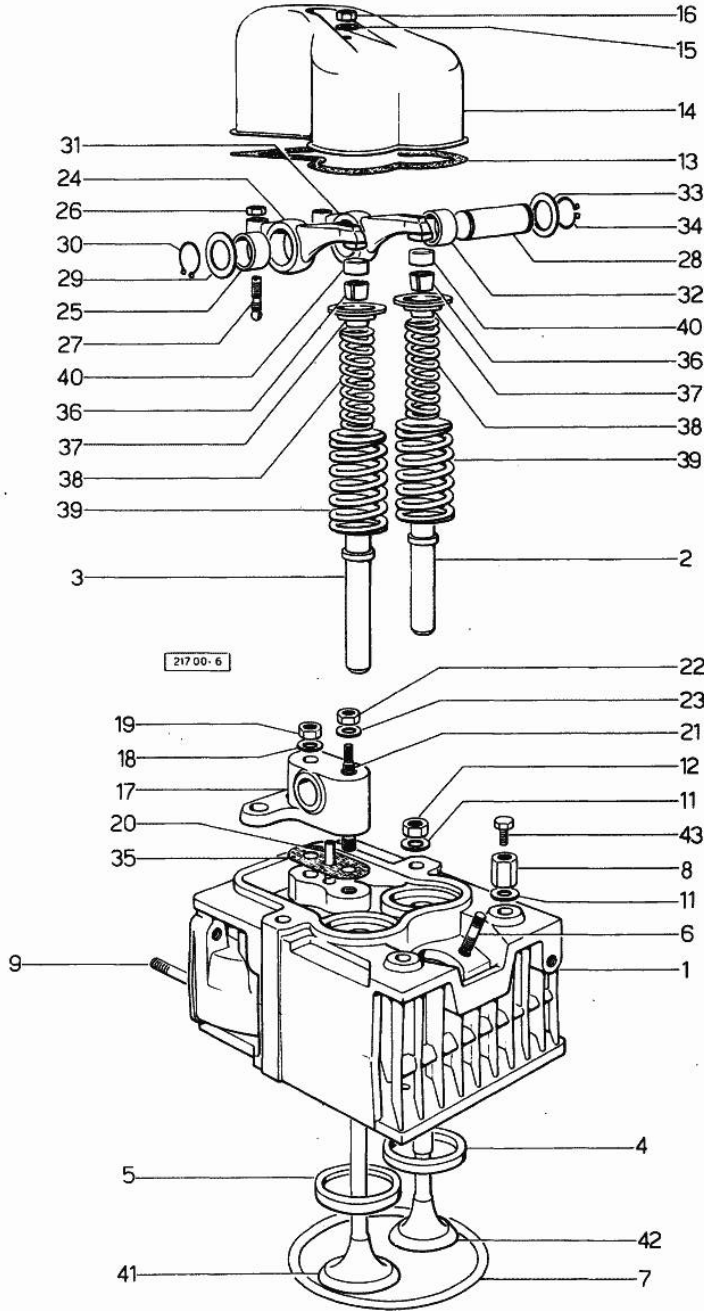
0	0.042.0058.6	1	gasket set FOR GRINDING VALVES OF ONE CYLINDER AND PISTON RING RENEWAL
1	0.044.1450.3/50	4	engine head
2	0.045.1417.0	4	valve guide
3	0.037.1416.0	4	valve guide
4	0.037.1452.0/10	4	valve seat
5	0.037.1451.0/10	4	valve seat
6	2.0439.087.1/10	8	stud bolt
7	2.1569.078.0/10	4	gasket 106x118x0.5
8	2.1019.037.1	4	nut m 12 p.1.5x35
9	2.0432.007.1	3	stud bolt m 8 p.1.25 / p.1 x 30
11	2.1599.144.0	16	shoulder
12	2.1019.025.1	14	special nut
13	0.029.1450.0	4	gasket
14	0.039.1440.0	4	cap
15	2.1560.004.0	4	copper gasket 8.2 x 14
16	2.1099.056.1	4	special nut m8 p.1
17	0.041.1430.0	4	support
18	2.1599.160.0	4	washer 10.5x19x4
19	2.1099.035.1	4	special nut
20	0.029.1452.0	4	tube
21	0.039.1451.0	4	stud bolt
22	2.1011.421.2	4	nut m 10 p.1.25
23	2.1310.006.2	4	flat washer 10.5x21
24	002.5937.3/30	4	rocker arm
25	2.1559.021.0/40	4	bushing 15x19x22
26	2.1011.405.2	8	nut m 8 p.1
27	0.021.1434.0	8	screw
28	0.041.1431.0	4	pin
29	2.1599.019.0	4	shoulder ring 19.5x31x2
30	2.1410.055.1	4	circlip 19
31	0.002.5936.3/40	4	rocker arm
32	2.1559.021.0/40	4	bushing 15x19x22
33	2.1599.019.0	4	shoulder ring 19.5x31x2
34	2.1410.055.1	4	circlip 19
35	0.034.1450.0	4	tappet gasket
36	0.002.9193.0/10	8	conical valve cotter
37	0.002.9215.0/10	8	cup
38	2.4019.194.0	8	spring 22.70x50.7x2.1
39	2.4019.193.0	8	spring 36.15x55.2x3.2





Section: ENGINE  
CYLINDER HEAD

Fig.	P/n	QTY	Name
40	0.021.1453.0/20	8	small cover
41	0.052.1420.0	4	inlet valve Ø mm 9
42	0.039.1421.0	4	exhaust valve Ø mm 9
43	2.0119.053.1	2	screw



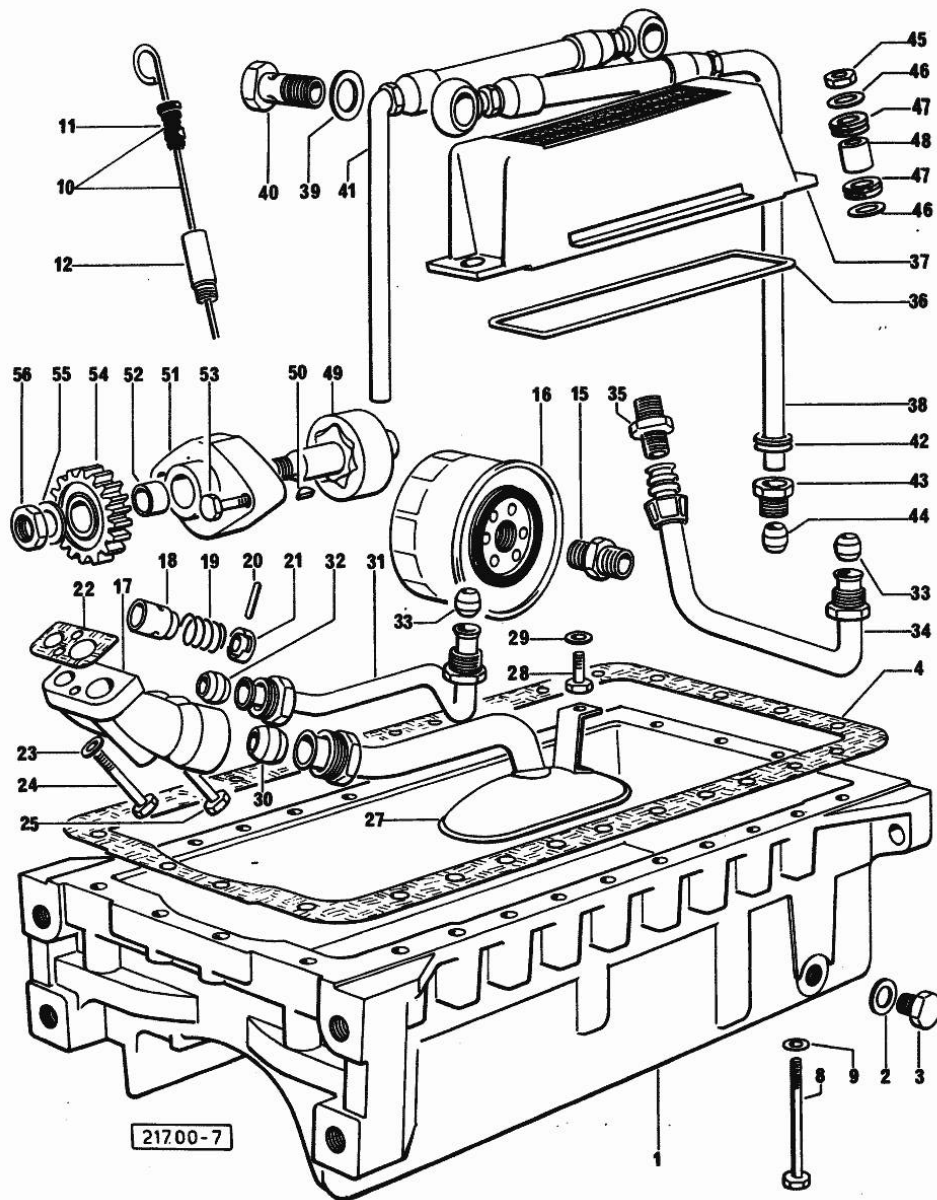
Section: ENGINE  
LUBRICATION

Fig.	P/n	QTY	Name
Notes: [LEOPARD C]			
1	0.045.1558.0	1	oil sump
2	2.1560.054.0	1	gasket 21 x 26
3	2.3199.001.2	1	plug 1/2" gas
4	0.036.1512.2	1	gasket
8	2.0112.211.2	2	screw m 8 p.1.25 x 30
8	2.0112.224.2	18	screw m 8 p.1.25x75
8	2.0112.229.2	2	screw m 8 p.1.25 x 100
8	2.0112.232.1	2	screw m 8 p.1.25x115
8	2.0112.235.2	2	screw m 8 p.1.25 x 130
9	2.1470.004.2	24	lock washer 8
9	2.1560.004.0	4	copper gasket 8.2 x 14
10	0.045.1513.3	1	dipstick
11	0.034.1551.0	1	gasket
12	0.044.1555.0	1	spacer
15	2.3339.094.1/10	1	pipe fitting m 20 p.1.5-3/4 gas
16	0.044.1567.0	1	oil filter element
17	0.040.1530.0/20	1	tip
18	0.040.1550.0	1	small piston
19	2.4019.186.1	1	spring 15.8x53.5x1.8
20	2.1630.213.0	1	roll pin 3x32
21	0.040.1551.0	1	stop
22	0.037.1557.0/20	2	gasket
23	2.1480.014.1	1	washer 8
24	2.0112.225.2	1	screw m 8 p.1.25 x 80
25	2.0112.231.1	1	screw m 8 p 1.25x110
27	0.044.1556.3/10	1	tube
28	2.0112.204.2	1	screw m 8 p.1.25x14
29	2.1310.004.2	1	flat washer 8.4x17
30	2.3359.014.1	1	nosepiece
31	0.044.1560.2	1	tube
32	2.3359.016.1	1	nosepiece
33	2.3359.015.1	2	nosepiece
34	0.044.1561.2/10	1	tube
35	0.045.1557.0	1	pipe fitting
36	0.044.1541.0/10	1	gasket
37	0.045.1540.3	1	oil cooler
38	0.044.1552.2/40	1	tube
39	2.1560.018.0	4	gasket 22.2 x 29
40	2.3339.107.1	2	pipe union m 22
41	0.044.1553.2/30	1	tube
42	2.6560.013.0	2	wire guide 18x1.5

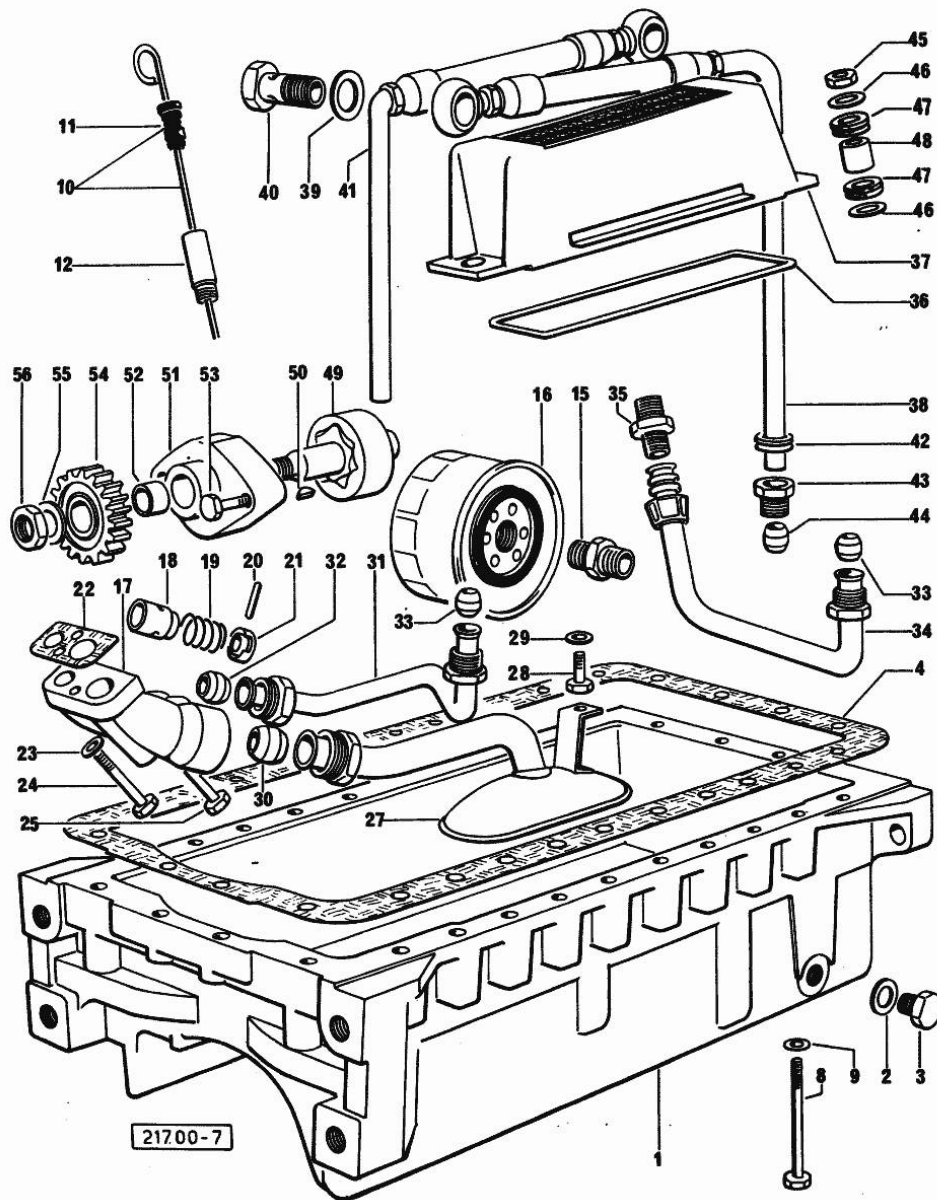
Section: ENGINE  
LUBRICATION

Fig.	P/n	QTY	Name
43	2.3339.167.1	2	pipe fitting
44	2.3359.012.0	2	nosepiece 10x16.8
45	2.1011.105.2	2	nut m 8 p.1.25
46	2.1599.006.0	4	shoulder ring 8.4x25x2
47	0.021.1560.0	4	rubber plug
48	2.1579.159.0	2	spacer 8.8x12x16
49	0.044.1524.3/20	1	rotor
50	2.1720.005.0	1	key 4x5
51	0.036.1520.3/20	1	pump casing
52	2.1559.086.0/10	1	bush
53	2.0112.215.2	2	screw m 8 p.1.25 x 40
54	0.040.1521.0/10	1	gear z = 27
55	2.1310.007.2	1	flat washer 13 x 24
56	2.1121.109.2	1	self-locking nut m 12 p.1.25

Thank you so much for reading.  
Please click the “Buy Now!”  
button below to download the  
complete manual.



After you pay.

You can download the most  
perfect and complete manual in  
the world immediately.

Our support email:

[ebooklibonline@outlook.com](mailto:ebooklibonline@outlook.com)