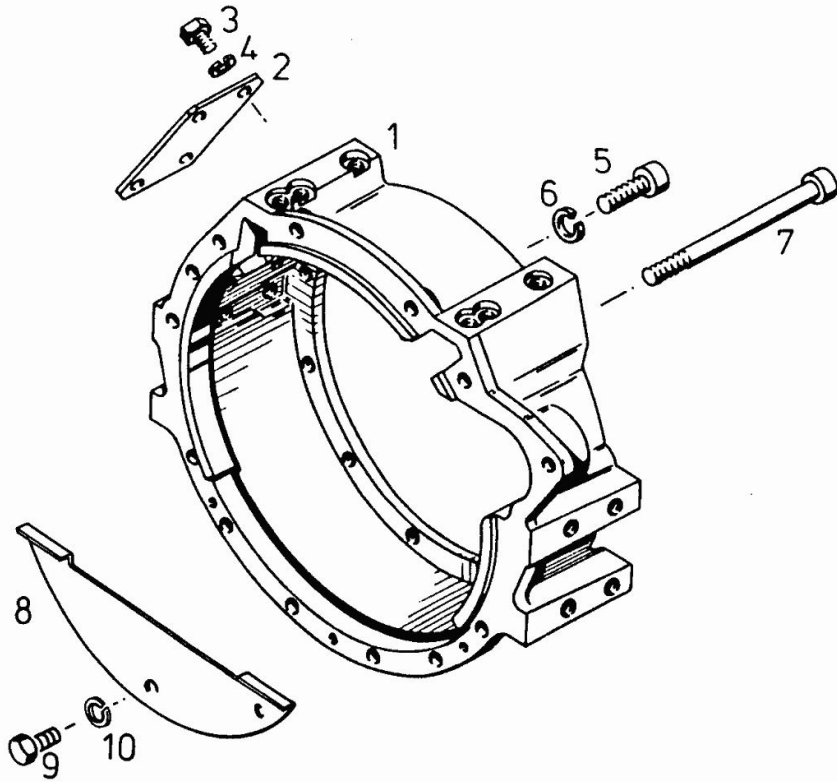


**MOTOR ANSCHLUSSGEHAEUSE NUR TYP 6112**

Fig.	P/n	QTY	Name
------	-----	-----	------

Notes:  
[M 35.80]

1	02102308	1	box
2	02102313	1	cover
3	01112295	4	screw m 8 x 10
4	01102799	4	washer 8, d128
5	01110664	11	screw m 10 x 30
6	01119613	11	washer 10.5
7	01110725	3	screw
8	03364077	1	plate
9	01112232	3	screw m 6 p.1 x 10
10	01102797	3	washer 6, d128



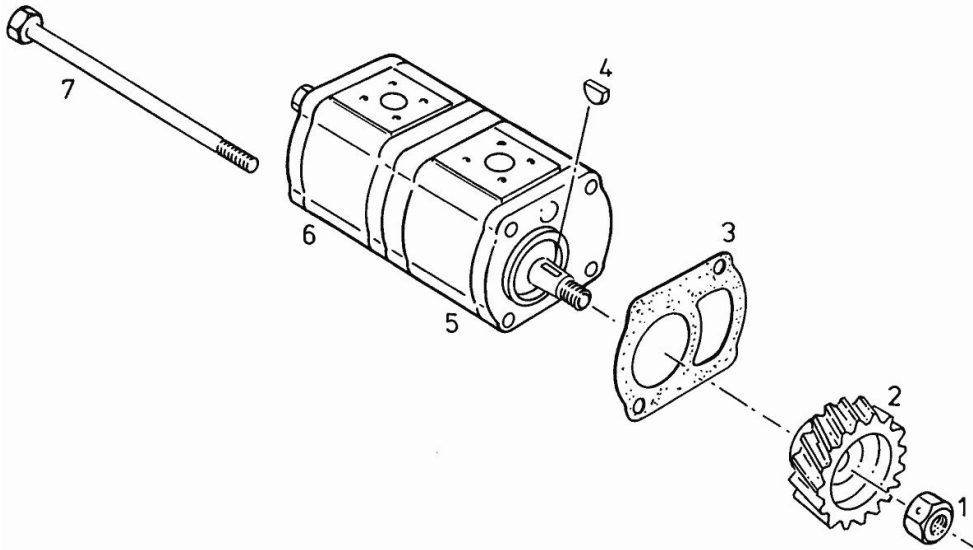
**ENGINE HYDRAULIC PUMP**

Fig.	P/n	QTY	Name
------	-----	-----	------

**Notes:**

[M 35.80]

1	01262635	1	nut
2	02235058	1	gear
3	02239230	1	gasket
4	01118324	1	key
5	06261692	1	hydraulic pump ↳ 4D.00.20000
6	06261693	1	hydraulic pump 8 cc ↳ 4D.00.20000
7	06209191	2	screw



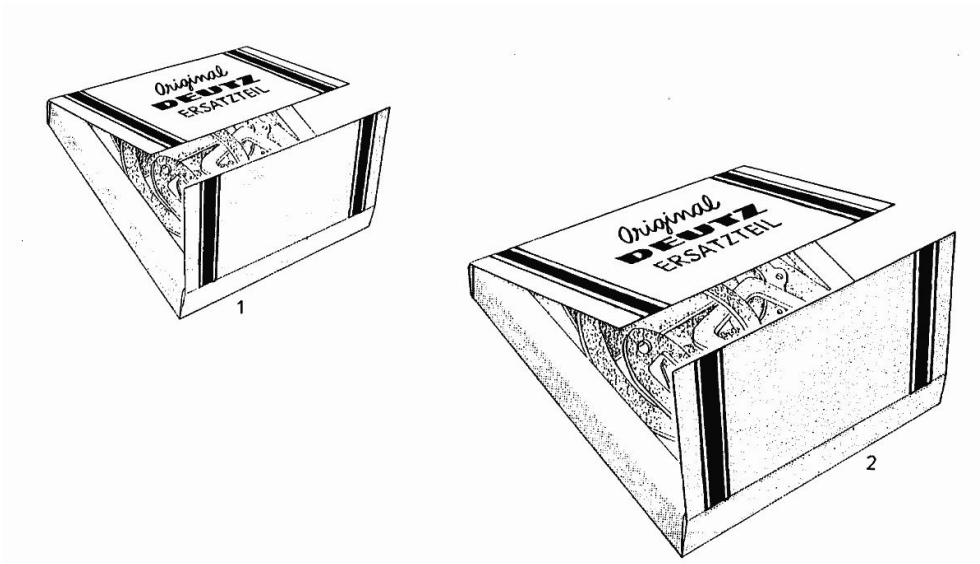
Section: ENGINE

**ENGINE SEALING SET**

Fig.	P/n	QTY	Name
------	-----	-----	------

Notes:  
[M 35.80]

1	02910048	6	gasket set FOR CYLINDER
2	02910279	1	gasket set VOLLSTAENDIG FUER MOTOR BF 6 L 913 OHNE WELLENDICHTRINGE NR. 415 0782 + 415 0783



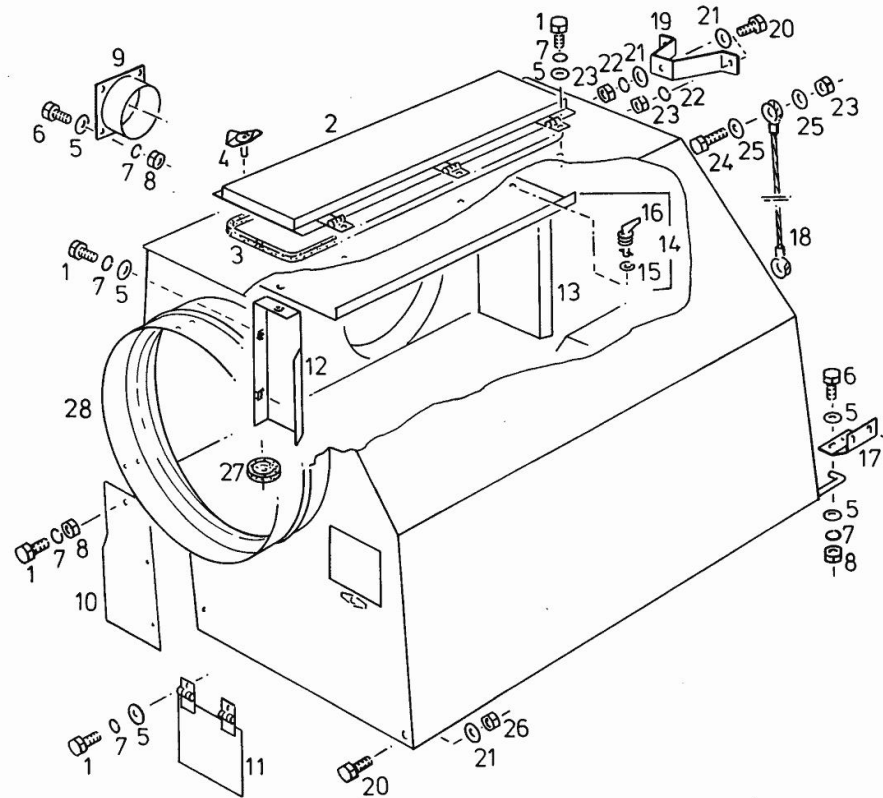
Section: ENGINE

**MOTORAUFBAU LUFTSCHASCHT**

Fig.	P/n	QTY	Name
------	-----	-----	------

**Notes:**

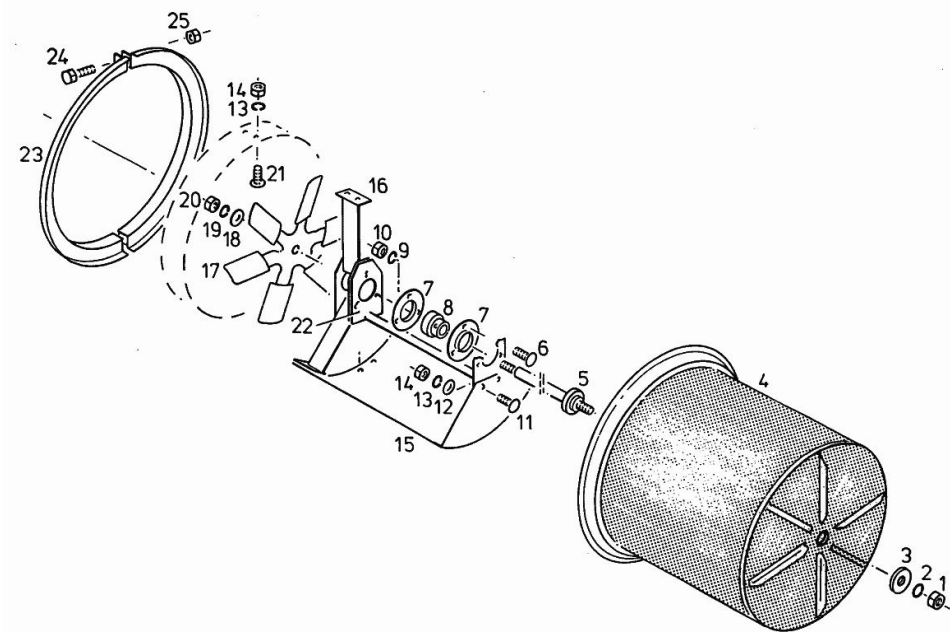
[M 35.80]



1	01112240	12	screw m 6 x 12
2	06537797	1	cover
3	06276360		gasket l-3910
4	06280501	3	stop
5	06214189		washer 6.4
6	01103316	6	screw m 6 p.1.0 x 16
7	01102797	20	washer 6, d128
8	01112813	13	nut m 6
9	06255934	1	tube
10	06513958	1	plate
11	06539295	1	cover
12	06517654	1	shield
13	06517651	1	shield
14	06517657	1	plate
15	02417488	2	disc
16	02417486	2	pin
17	06288113	1	plate
18	06501404	1	rope
19	06282821	1	-
20	01112322	4	screw m 8 p.1.25 x 20
21	01107163		washer 9, d126
22	01102799	3	washer 8, d128
23	01112824	5	nut m 8, d934
24	01112341	2	screw m 8 x 30, d933
25	06214192	6	washer 8.4
26	01104944	1	nut m 8, d985
27	06273149	4	rubber bushing
28	06545152	1	air shaft

**ENGINE ROTARY RADIATOR FILTER ASSEMBLY PARTS**

Fig.	P/n	QTY	Name
<b>Notes:</b>			
[M 35.80]			
1	01112858	1	nut m 12, d934
2	01102801	1	washer 12
3	06214210	1	washer 13 x 40 x 5.0, zn
4	06545164	1	none 3964 <-
4	16000397	1	filtering basket -> 3965
5	06547025	1	shaft
6	01138993	6	screw m 8 x 16
7	06215781	4	bearing housing rb 20
8	06215739	2	bearing yb 20
9	01102799	6	washer 8, d128
10	01112824	6	nut m 8, d934
11	01138989	2	screw m 6 x 16
12	06214189	10	washer 6.4
13	01102797	10	washer 6, d128
14	01112813	10	nut m 6
15	06547022	1	plate 4194 <-
15	16000440	1	plate -> 4195
16	06547019	1	support 3619 <-
16	06548139	1	support -> 3620 - 4194 <-
16	16000433	1	support -> 4195
17	06543421	1	fan 6-armig
18	01107165	1	washer 10.5
19	01102800	1	washer 10.2
20	01102659	1	nut m 10, d934
21	06214131	6	screw m 6 x 12
22	06548143	1	arm -> 3620
23	16000400	2	shoulder ring -> 3965
24	01111064	2	screw -> 3965
25	01114357	2	nut m 6, d985 -> 3965

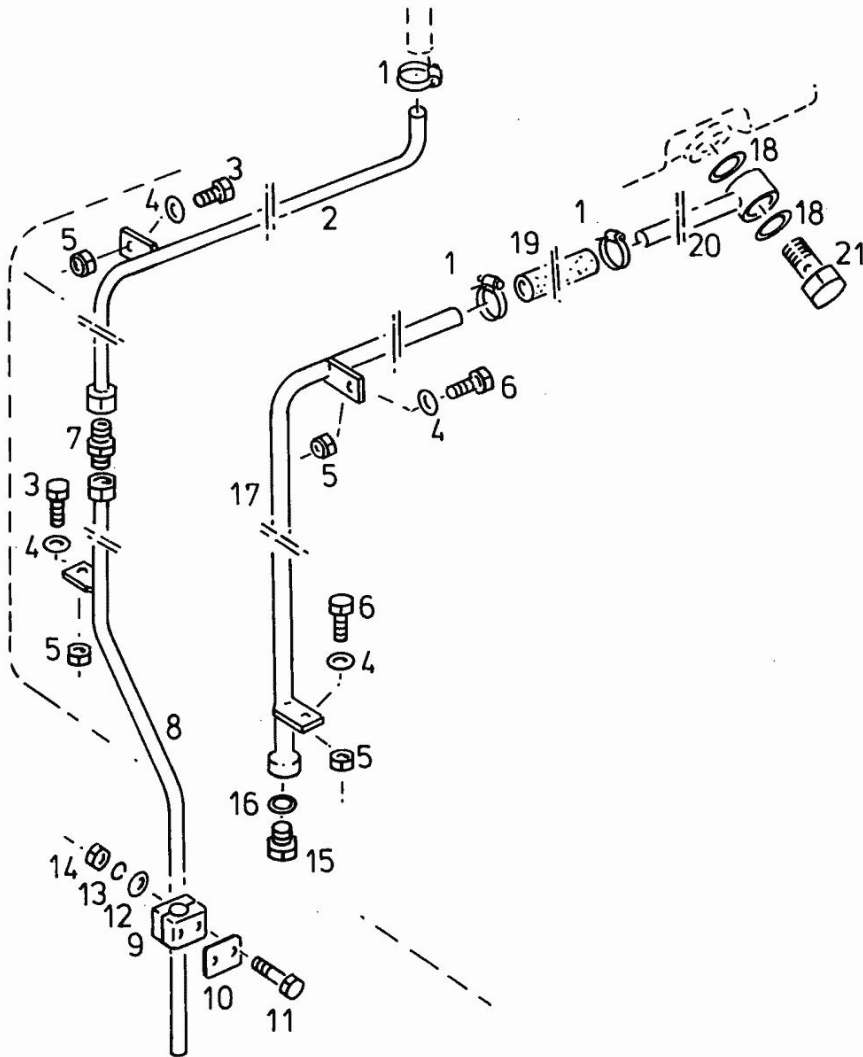


**OIL DRAINE PIPE BREATHER LINE**

Fig.	P/n	QTY	Name
------	-----	-----	------

Notes:  
[M 35.80]

1	01128269	3	fascia
2	06513309	1	tube TYP 6112
2	06521602	1	tube TYP 6113
3	01112333	2	screw m 8 x 25, d933
4	01107163	2	washer 9, d126
5	01104944	4	nut m 8, d985
6	01112341	6	screw m 8 x 30, d933
7	01116712	1	pipe fitting
8	06513312	1	tube TYP 6112
8	06521603	1	tube TYP 6113
9	06262801	1	fascia Ø 18, PVC
10	06261120	1	small plate
11	01102664	2	screw m 6 x 45
12	06214189	2	washer 6.4
13	01102797	2	washer 6, d128
14	01112813	2	nut m 6
15	01118964	1	plug m 16 p.1.5
16	01118700	1	oil seal Ø 16 x 20
17	06513306	1	tube TYP 6112
17	06519678	1	tube TYP 6113
18	01118784	1	oil seal 30x36x2 d7603
19	06237987	1	flexible hose Ø 22.2 / L = mm 220
20	06513226	1	tube
21	01139203	1	pipe union m 30 x 1,5

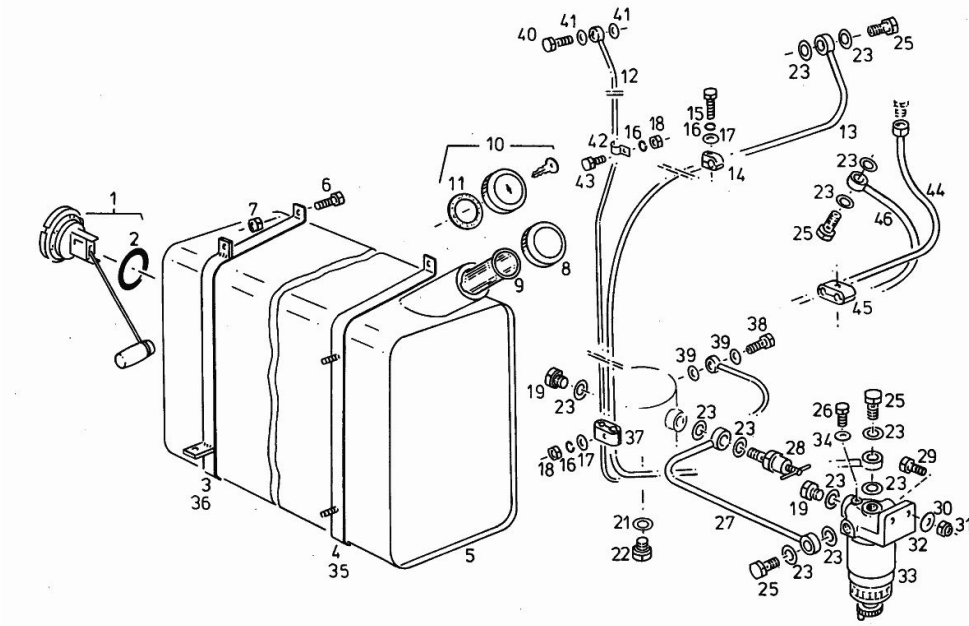


Section: ENGINE  
**KRAFTSTOFFBEHAELTER**

Fig.	P/n	QTY	Name
------	-----	-----	------

Notes:  
 [M 35.80]

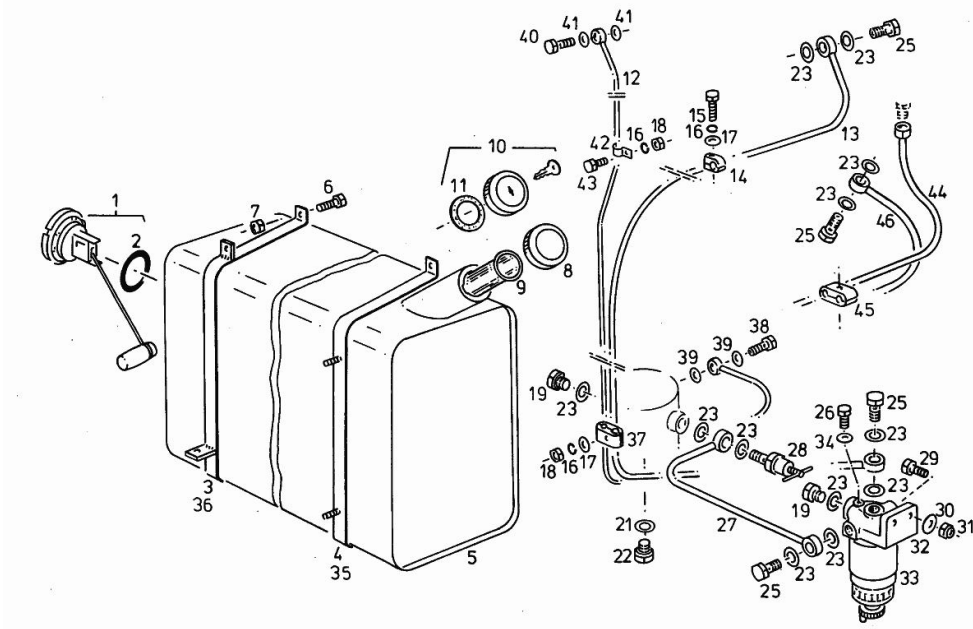
1	06260395	1	level indicator
2	06260431		gasket
3	06513318	2	metal strip TYP 6112
4	06513320	1	metal strip TYP 6112
5	06511392	1	casing TYP 6112
5	06519604	1	tank 300 l TYP 6113
6	01111288	2	screw
6	01112547	4	screw m 12 x 40, d933
7	06209768	2	nut m 10, d985
7	06209769	4	nut m 12, d985
8	01130760	1	cover dv80
9	06255970	1	small mesh
10	01216272	1	cover W
11	01211299	1	oil seal
12	06521595	1	tube TYP 6113
13	06521593	1	pipng TYP 6113
14	01141731	2	fascia d10
15	06209052	2	screw m 6 x 30
16	01102797	5	washer 6, d128
17	06214189	2	washer 6.4
18	01112813	3	nut m 6
19	01100940	2	screw
21	01118700	1	oil seal Ø 16 x 20
22	06260369	1	screw 16x1,5
23	01118688	9	ring 14x17
25	01139202	3	pipe union m 14 x 1,5
26	01112232	1	screw m 6 p.1 x 10
27	06513341	1	pipng 10x505
28	04302546	1	screw
29	01112418	2	screw m 10 x 25, d933
30	01107165	2	washer 10.5
31	06209768	2	nut m 10, d985
32	01174821	1	console
33	01174483	1	fuel filter element



Section: ENGINE

**KRAFTSTOFFBEHAELTER**

Fig.	P/n	QTY	Name
34	01118641		ring a 6x10 d7603
35	06518958	1	tensioner TYP 6113
36	06518956	1	metal strip TYP 6113
37	06515480	2	fascia d 6/10
38	01139200	1	pipe union m 10 x 1
39	01118659	2	oil seal
40	01139199	1	pipe union m 8 x 1
41	01118647	2	oil seal 8x11,5 d7603
42	01115942	1	clamp 7
43	01103316	1	screw m 6 p.1.0 x 16
44	06513348	1	tube TYP 6112
45	06240725	4	terminal Ø10/10 TYP 6112
46	06513345	1	piping 10x2315 TYP 6112



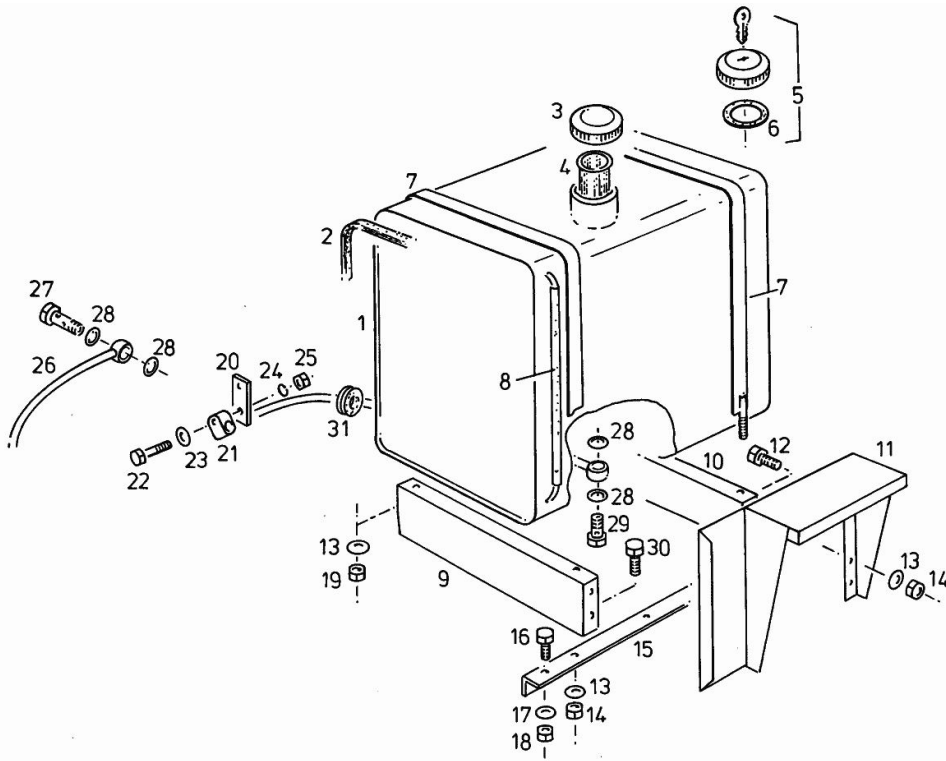


**ZUSATZ-KRAFTSTOFF-BEHAEALTER W**

Fig.	P/n	QTY	Name
------	-----	-----	------

Notes:  
[M 35.80]

1	06537783	1	casing
2	06255458	1	guard
3	01130760	1	cover dv80
4	06255970	1	small mesh
5	01216272	1	cover
6	01211299	1	oil seal W X 3,5
7	06539338	2	metal strip
8	06253341	1	tube
9	06538660	1	base
10	06538661	1	plate
11	06537788	1	climbing steps
12	01112407	4	screw m 10 x 20, d933
13	01107165		washer 10.5
14	06209768	6	nut m 10, d985
15	06539341	1	square
16	01112322	3	screw m 8 p.1.25 x 20
17	01107163	6	washer 9, d126
18	01104944	3	nut m 8, d985
19	01102659	8	nut m 10, d934
20	06524833	1	link
21	01141731	1	fascia d10
22	01127031	1	screw m 6 x 30, d933
23	06214189	1	washer 6.4
24	01102797	1	washer 6, d128
25	01112813	1	nut m 6
26	06537785	1	pipng
27	01216491	1	pipe union
28	01118688	4	ring 14x17
29	01139202	1	pipe union m 14 x 1,5
30	01112418	2	screw m 10 x 25, d933
31	06257550	1	grommet Ø 19

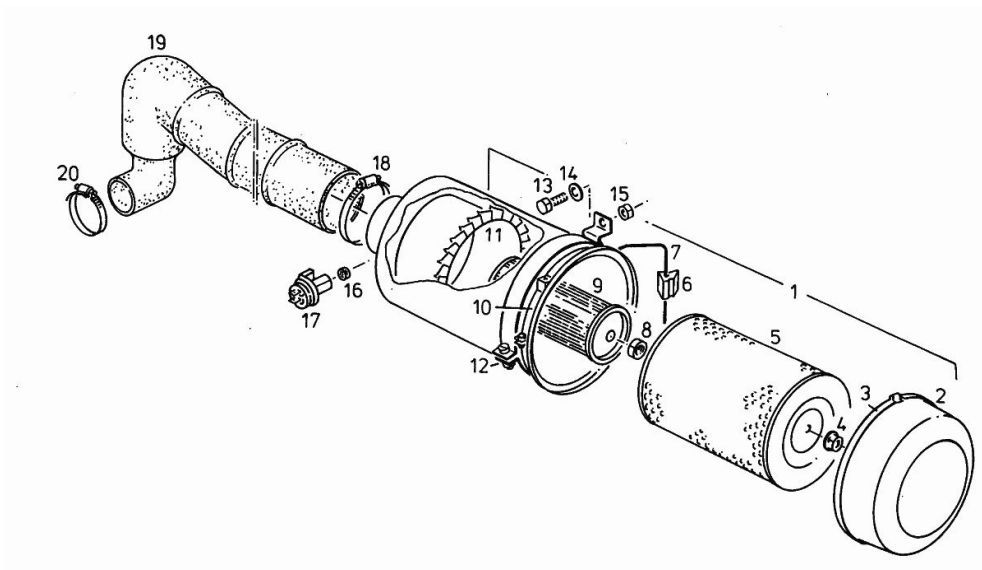


**AIR CLEANER**

Fig.	P/n	QTY	Name
------	-----	-----	------

Notes:  
[M 35.80]

1	06255954	1	air filter
2	02165405	1	sump
3	06255983	1	division
4	06255982	1	nut
5	02165054	1	air filter
6	06255984	2	lock
7	06255991	2	bracket
8	01131115	1	nut
9	02243945	1	filter
10	02165407	1	handle
11	06277411	1	ring
12	06255842	2	support
13	01112502	4	screw m 12 x 20
14	01123616	4	washer 13.5
15	06209769	4	nut m 12, d985
16	03363577	1	ring
17	06217126	1	position sensor
18	01100163	1	clamp Ø 110/135
19	06547102	1	manifold
20	01173940	1	clamp Ø 70/90

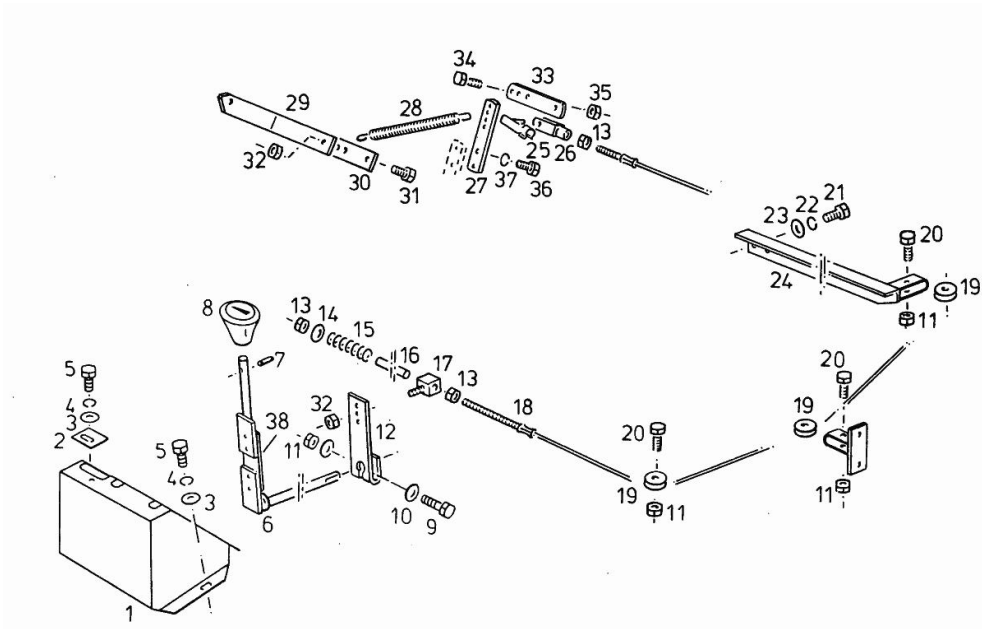


Section: ENGINE

**ENGINE SPEED ADJUSTING PARTS**

Fig.	P/n	QTY	Name
------	-----	-----	------

Notes:  
[M 35.80]



1	06300867	1	locking segment
2	06523033	1	plate
3	01107158	3	washer 6.6, d125
4	01102797	3	washer 6, d128
5	01112240	3	screw m 6 x 12
6	06541294	1	lever
7	01157322	1	grub screw
8	06539952	1	knob
9	01111162	1	screw
10	06214192	2	washer 8.4
11	01104944	4	nut m 8, d985
12	06541209	1	lever
13	01112813	3	nut m 6
14	06214189	1	washer 6.4
15	06215330	1	spring
16	06542668	1	tube
17	06542665	1	ball joint
18	06541657	1	rope TYP 6113
18	06541668	1	rope TYP 6112
19	06581493	3	roller
20	01112333	3	screw m 8 x 25, d933
21	01112515	1	screw m 12 x 25
21	01112529	1	screw m 12 x 30, d933
22	01102801	2	washer 12
23	01123616	2	washer 13.5
24	06536069	1	support
25	01171901	1	pin 6 x 24
26	01120904	1	ball joint
27	06278875	1	lever
28	06215520	1	spring l-194
29	06526693	1	support
30	06536068	1	-
31	01112322	1	screw m 8 p.1.25 x 20
32	01104944	1	nut m 8, d985
33	0.000.0000.1		cannot be supplied
34	0.000.0000.1		cannot be supplied
35	0.000.0000.1		cannot be supplied
36	01103316	1	screw m 6 p.1.0 x 16
37	01102797	1	washer 6, d128

Thank you so much for reading.  
Please click the “Buy Now!”  
button below to download the  
complete manual.



After you pay.

You can download the most  
perfect and complete manual in  
the world immediately.

Our support email:

[ebooklibonline@outlook.com](mailto:ebooklibonline@outlook.com)