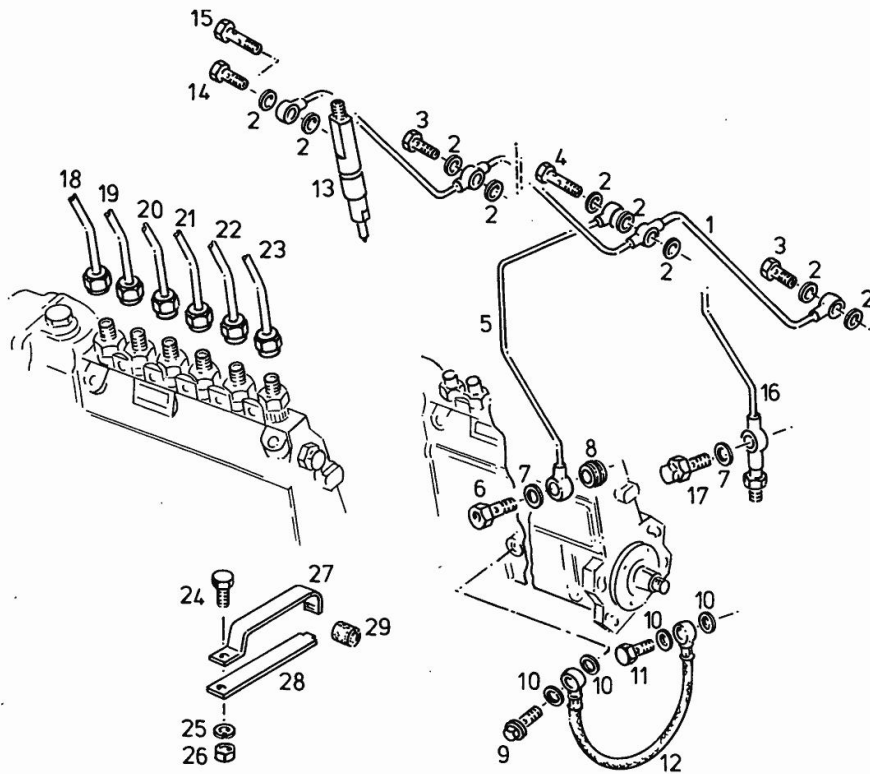


ENGINE INJECTION PUMP PIPES

Fig.	P/n	QTY	Name
------	-----	-----	------

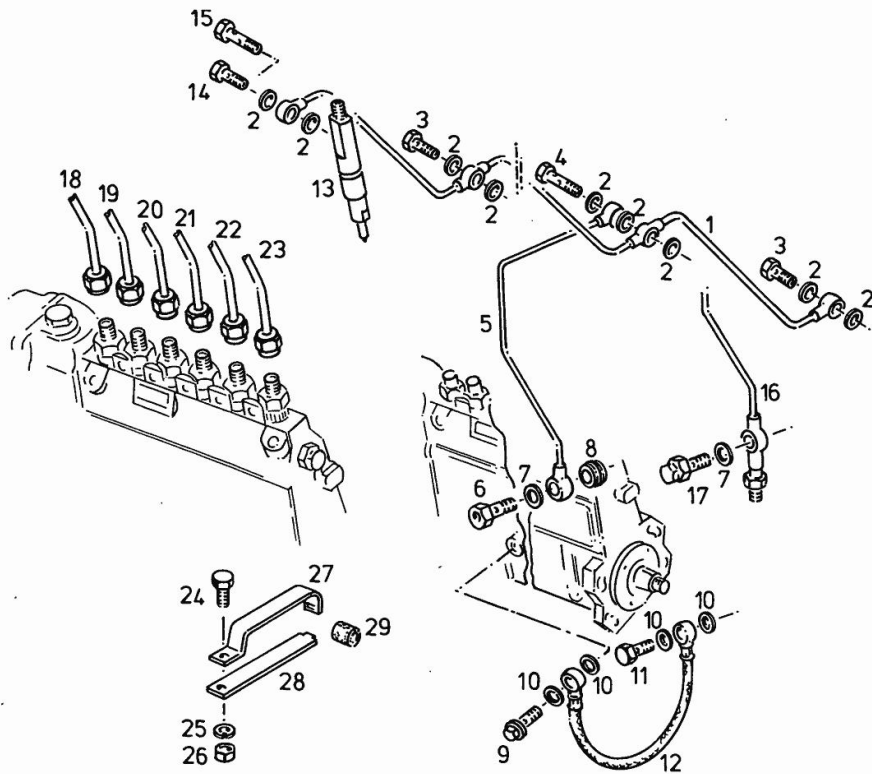
Notes:
[M 36.10]



1	02137534	1	tube
2	01118647	13	oil seal 8x11,5 d7603
3	01119231	4	screw m 8 x 1
4	01216492	1	pipe union
5	0.000.0000.1		cannot be supplied
6	0.000.0000.1		cannot be supplied
7	01118693	2	gasket 14x20
8	0.000.0000.1		cannot be supplied
9	02231136	1	screw
10	01118659	4	oil seal
11	01119237	1	pipe union
12	01174429	1	tube
13	0.000.0000.1	6	-
14	01119231	1	⚠ 4A.00.20000 screw m 8 x 1
15	01216492	1	125 KW pipe union
16	02232348	1	141 KW / W piping
16	04152956	1	125 KW tube
17	03476293	1	141 KW / W screw
18	04150711	1	tube
18	04154354	1	FUER ZYLINDER 1 141 KW / W tube
19	04150712	1	125 KW tube
19	04154355	1	FUER ZYLINDER 2 141 KW / W tube
20	04150713	1	125 KW tube
20	04154356	1	FUER ZYLINDER 3 141 KW / W tube
21	04150714	1	125 KW tube
21	04154357	1	FUER ZYLINDER 4 141 KW / W tube
22	04150715	1	125 KW tube
			FUER ZYLINDER 5 141 KW / W

ENGINE INJECTION PUMP PIPES

Fig.	P/n	QTY	Name
22	04154358	1	tube 125 KW
23	04150716	1	tube FUER ZYLINDER 6 141 KW / W
23	04154359	1	tube 125 KW
24	01103316	1	screw m 6 p.1.0 x 16
24	01112240	1	screw m 6 x 12
25	01102797	1	washer 6, d128 125 KW
25	01107095	2	washer 6.4 141 KW / W
26	01112813	1	nut m 6
27	01170288	1	fascia 141 KW / W
27	01170290	1	fascia
28	01170292	1	plate 141 KW / W

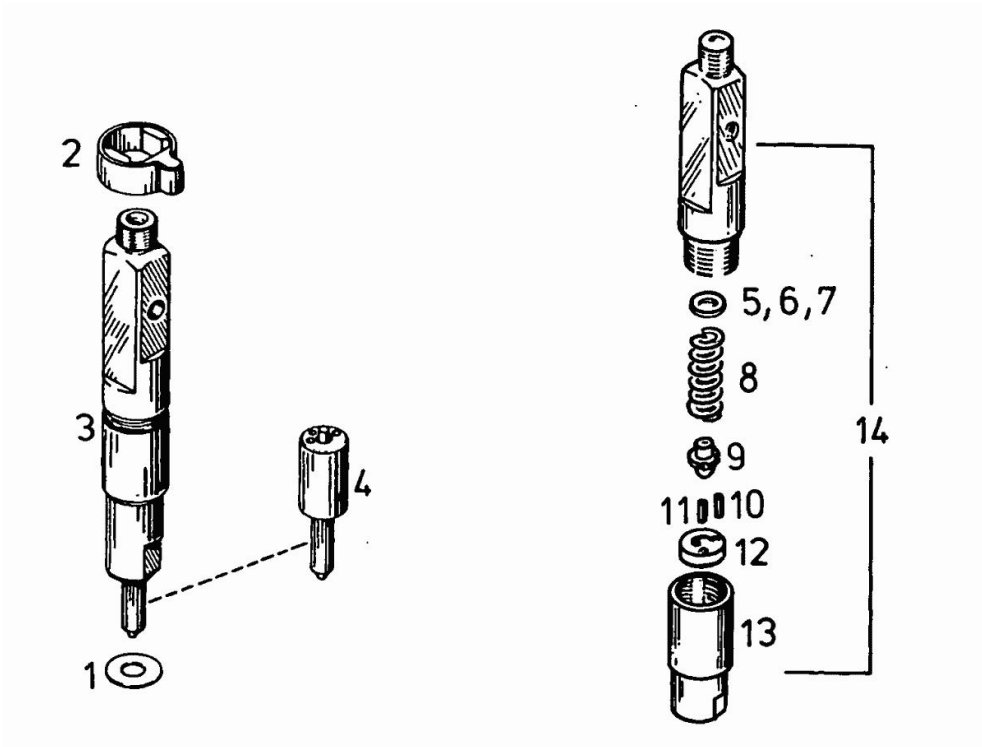


Section: ENGINE

MOTOR ENSPRITZVENTIL

Fig.	P/n	QTY	Name
------	-----	-----	------

Notes:
[M 36.10]



1	04156099	6	oil seal
2	02137568	6	bushing
3	02233272	6	injector assembly Y 7345923/125 KW <=
4	02233273	6	nozzle
5	01290450		shim
5	01290451		shim
5	01290453		washer
5	01290454		shim
5	01290455		shim
5	01306952	6	shim
5	01306954		shim
5	01308118		shim
5	01309538		shim
6	01290456		shim
6	01290458		washer
6	01290459		shim
6	01290461		stop
6	01290462		shim
6	01290463		washer
6	01290464		washer
7	01290466		shim
7	01290467		shim
7	01290468		shim
7	01290470		shim
7	01290471		shim
7	01290472		shim
7	01290473		shim
8	01298481	6	clip Y 7345923/125 KW <=
9	01306957	6	pin Y 7345923/125 KW <=
10	20168122	12	pin
11	20168121	12	pin
12	01298479	6	pulley Y 7345923/125 KW <=
13	01298480	6	nut
14	02137575	6	nozzle holder Y 7345923/125 KW <=

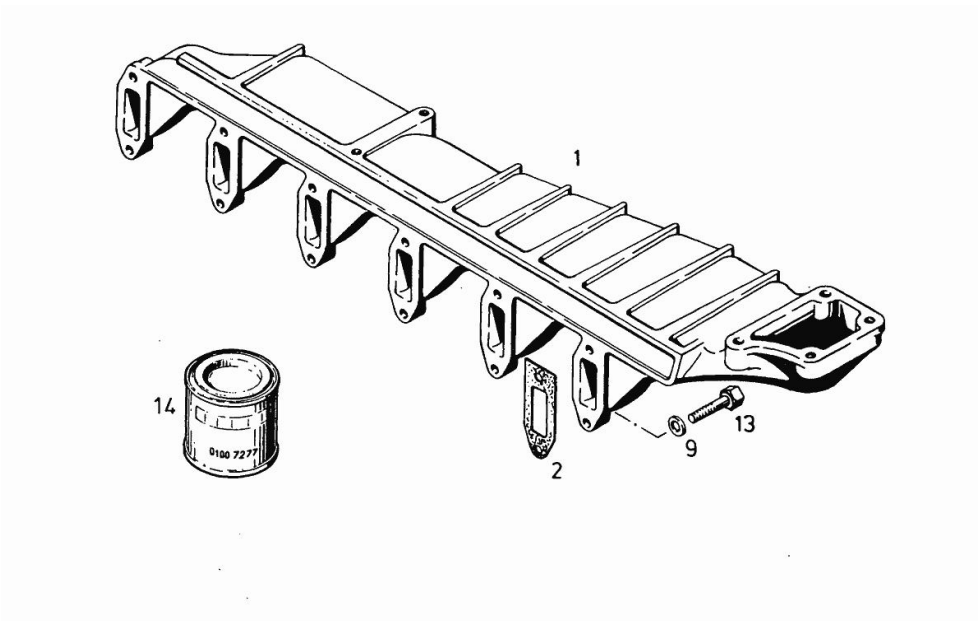
MOTOR LADELUFTLEITUNG NUR FUER 141KW/192PS

Fig.	P/n	QTY	Name
------	-----	-----	------

Notes:

[M 36.10]

1	04150957	1	pipng
2	04152033	6	gasket
9	01107101	12	washer 8.4
13	01111141	12	screw
14	01007277		advertising material
14	01400668		workshop tool

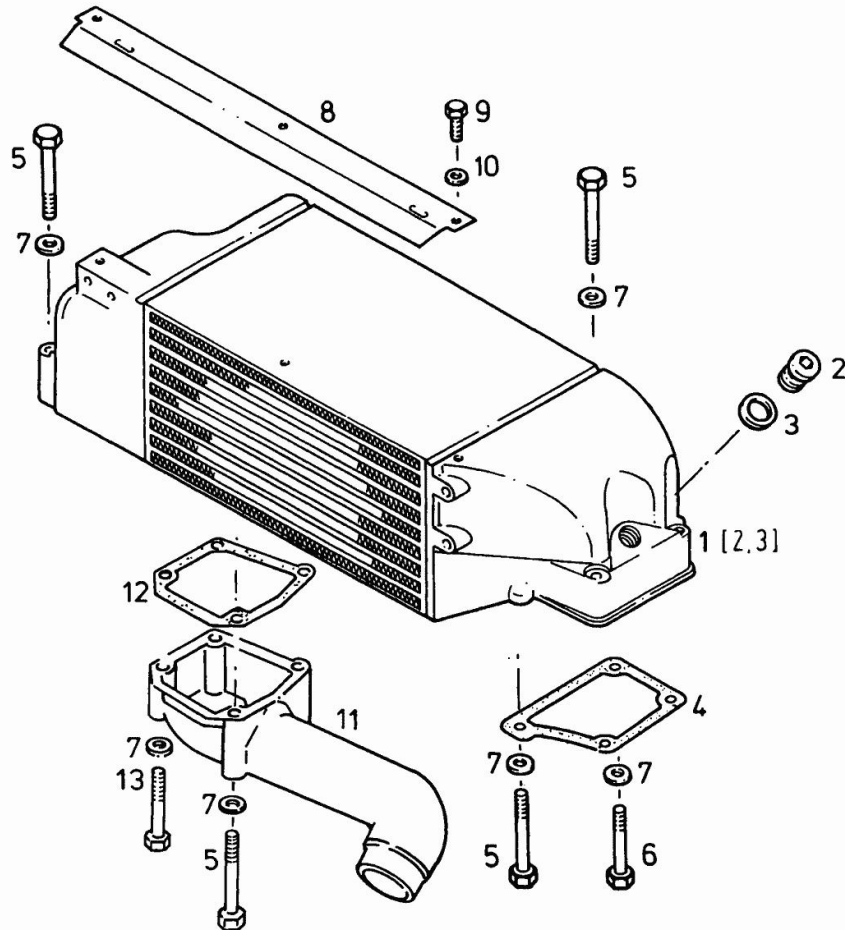


MOTOR LADELUFTLEITUNG NUR FUER 141KW/192PS

Fig.	P/n	QTY	Name
------	-----	-----	------

Notes:
[M 36.10]

1	04150968	1	radiator Y 7 329 778 <=
1	04153659	1	intercooler => Y 7 329 779
2	01125788	1	plug
3	01118726	1	oil seal
4	04150971	1	gasket
5	01111179	7	screw m 8 x 70, d931
6	01111153	1	screw m 8 x 45
7	01107101	10	washer 8.4
8	04151036	1	screw
9	01112240	3	screw m 6 x 12
10	01107095	3	washer 6.4
11	04153654	1	manifold
12	04150976	1	gasket
13	01111158	2	screw m 8 p.1.25 x 50

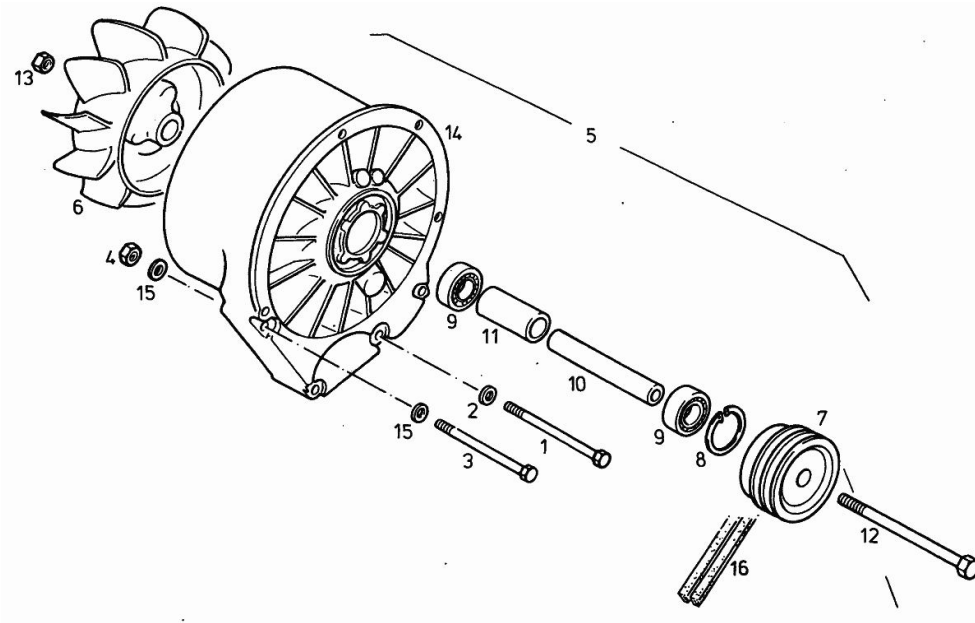


MOTOR KUEHLGEBLAESE NUR FUER 125KW/170PS

Fig.	P/n	QTY	Name
------	-----	-----	------

Notes:

[M 36.10]



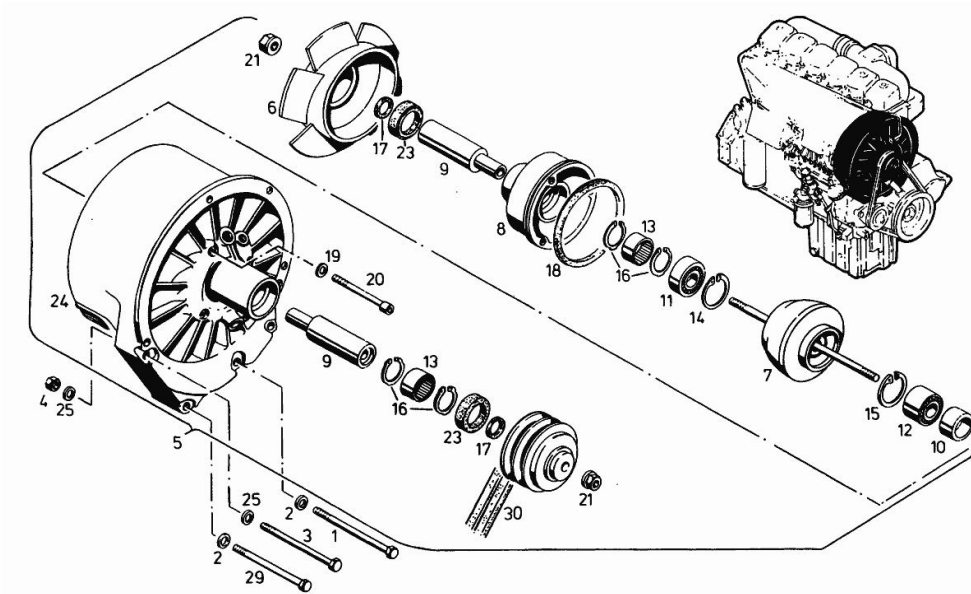
1	01111221	3	screw
2	01107101	3	washer 8.4
3	01110641	1	screw m8x140 d912
4	01112824	1	nut m 8, d934
5	02233560	1	fan G 6-14
6	02231204	1	belt
7	02233561	1	pulley
8	01107838	1	circlip
9	01109048	1	ball bearing
10	02134799	1	shaft
11	03363687	1	bushing
12	01111603	1	screw m12x190 d931
13	01112858	1	nut m 12, d934
14	02231578	1	ventilator body
15	01107548	2	washer 8.4
16	02234343	1	belt 2/av10x1375

MOTOR HYDR.KUEHLGEBLAESE NUR FUER 141KW/192PS

Fig.	P/n	QTY	Name
------	-----	-----	------

Notes:

[M 36.10]



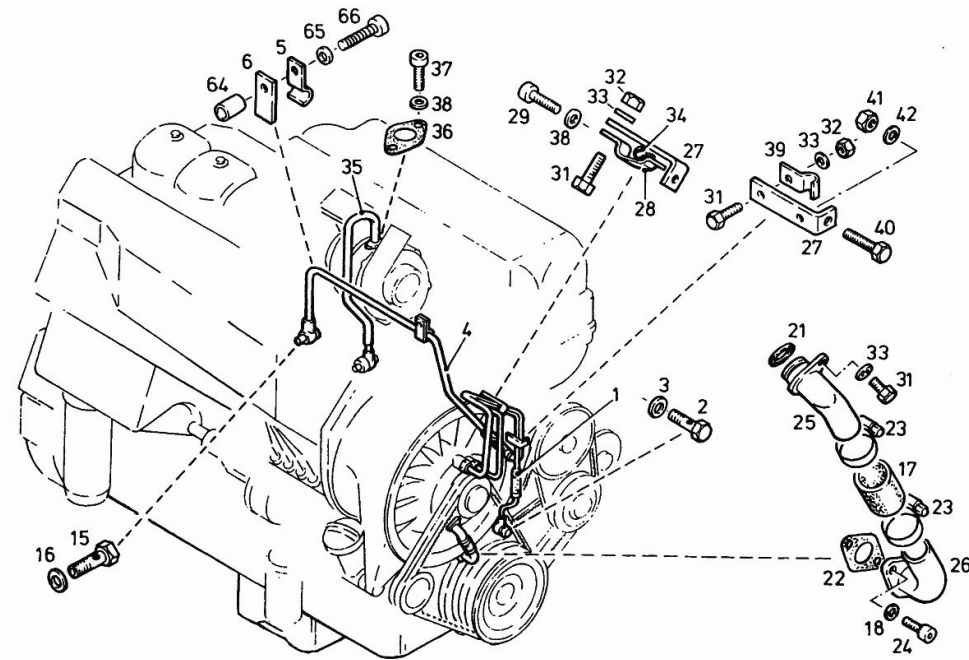
0	01091325	1	adhesive
1	01111221	4	screw
2	01107101	6	washer 8.4
3	04150410	2	-
4	01112824	1	nut m 8, d934
5	04150421	1	air duct
6	04150397	1	fan
7	04151103	1	coupling
8	02235680	1	cover
9	02235681	2	shaft
10	02235682	1	spacer
11	01138388	1	ball bearing
12	01173588	1	ball bearing
13	01173591	2	bearing
14	01107834	1	circlip 47 x 1.75
15	01107827	1	circlip 40 x 1.75
16	01163307	4	circlip
17	01173592	2	oil seal
18	01164843	1	oil seal
19	01173593	3	oil seal
20	01103280	3	shim
21	01172482	3	nut
22	04150416	1	pulley
23	02237010	2	gasket
24	04150422	1	ventilator body
25	01167010	1	washer
29	01122445	1	screw
30	02235177	1	belt 2x 10x1400 mm

MOTOR ROHRLEITUNGEN NUR FUER 141KW/192PS

Fig.	P/n	QTY	Name
------	-----	-----	------

Notes:

[M 36.10]



1	04150724	1	tube
2	01119237	1	pipe union
3	01118669	1	ring
4	04153577	1	tube
5	02237006	2	fascia
6	02234890	2	plate
15	01119241	1	pipe union m 12 p.1.5
16	01118673	4	oil seal
17	01175628	1	rubber sleeve ☞ 4A.00.20000
18	01216121	2	washer
21	01171586	1	oil seal
22	01101796	1	gasket ☞ 4A.00.20000
23	01173962	2	clamp Ø 20/32 ☞ 4A.00.20000
24	01109195	2	-
25	04150847	1	tube
26	04153420	1	pipng ☞ 4A.00.20000
27	04151405	2	bracket
28	02236060	1	fascia
29	01126918	1	screw m 8 p.1.25 x 20
31	01103316	4	screw m 6 p.1.0 x 16
32	01112813	3	nut m 6
33	01107095	4	washer 6.4
34	01216311	1	rubber sleeve
35	04153848	1	tube ☞ 4A.00.20000
36	02134266	1	gasket
37	01110577	2	screw m 8 x 25
38	01107548	3	washer 8.4
39	01168142	1	fascia
40	01112350	1	screw m 8 x 35
41	01112824	1	nut m 8, d934
42	01107101	1	washer 8.4
64	02233587	2	spacer
65	01107550	2	washer
66	01110658	2	screw

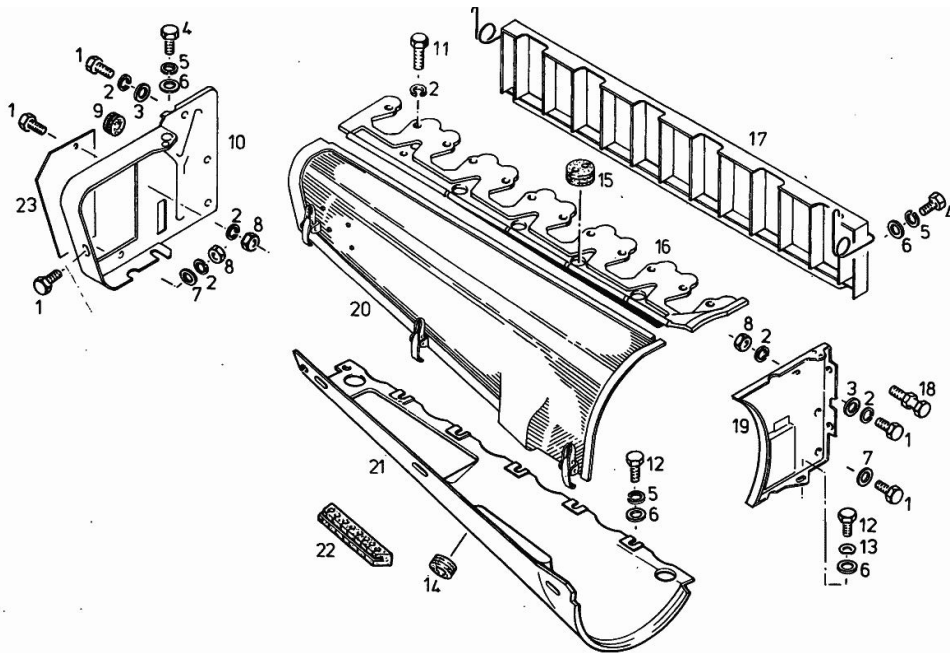
MOTOR LUFTFUEHRUNG NUR FUER 125KW/170PS

Fig.	P/n	QTY	Name
------	-----	-----	------

Notes:

[M 36.10]

1	01112240		screw m 6 x 12
2	01102797		washer 6, d128
3	01215850	3	washer
4	01112307	4	screw m 8 p.1.25 x 15, d933
5	01102799	10	washer 8, d128
6	01107101	10	washer 8.4
7	01107095	2	washer 6.4
8	01112813	2	nut m 6
9	01167425	1	rubber bushing
10	04151593	1	plate
11	01103316	12	screw m 6 p.1.0 x 16
12	01112299	7	screw m 8 x 12, d933
13	01107283	1	washer 8.2
14	01160592	1	rubber bushing
15	03361809	4	rubber bushing
16	04151599	1	guide
17	02102231	1	division
18	02101801	1	adjustable tensioner
19	02134114	1	plate
20	02230768	1	air duct hood
21	04151927	1	air duct
22	02101802	1	rubber
23	02231750	1	plate



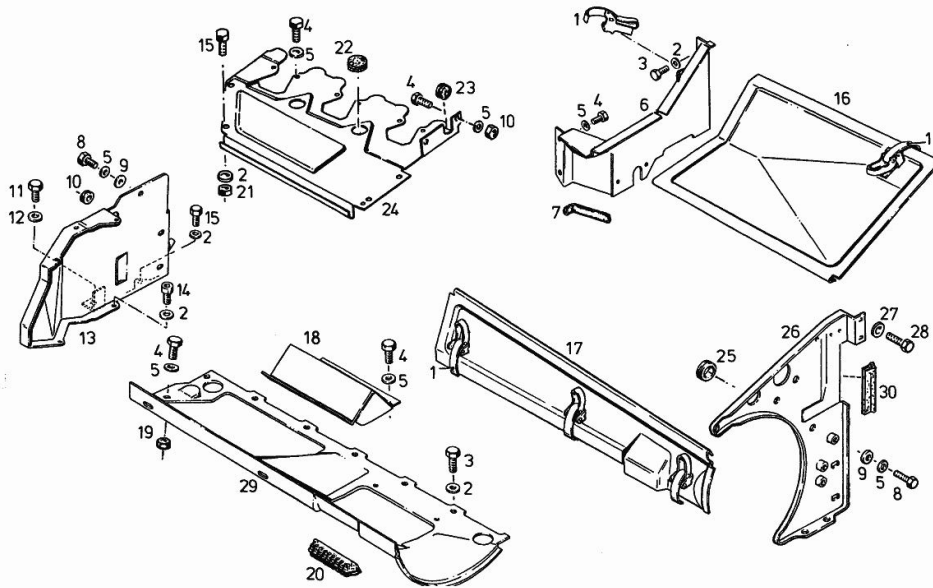
MOTOR LUFTFUEHRUNG NUR FUER 141KW/192PS

Fig.	P/n	QTY	Name
------	-----	-----	------

Notes:

[M 36.10]

1	01212482	5	plug
2	01107101	10	washer 8.4
3	01112307	6	screw m 8 p.1.25 x 15, d933
4	01112240	20	screw m 6 x 12
5	01107095	17	washer 6.4
6	04150812	1	plate G 6,1
7	01401812	1	copper gasket PN1X85
8	01103316	2	screw m 6 p.1.0 x 16
9	01215850	2	washer
10	01167425	1	rubber bushing
11	01126186	1	screw m 10 x 16
12	01140501	1	washer 10.5
13	04151531	1	plate
14	01102193	1	screw m 8 x 16
15	01112299	3	screw m 8 x 12, d933
16	04153920	1	cover
17	04150803	1	none
18	04150786	1	cover
19	01112813	1	nut m 6
20	02101802	1	rubber
21	01112824	2	nut m 8, d934
22	03361809	2	rubber bushing
23	01160592	1	rubber bushing
24	04150817	1	none
25	01167428	1	rubber bushing
26	04153650	1	plate => Y 7 329 779
26	04153859	1	division Y 7 329 778 <=
27	02234263	2	washer => Y 7 329 779
27	03319863	2	washer Y 7 329 778 <=
28	01112311	2	screw m 8 x 18 => Y 7 329 779
28	01112322	2	screw m 8 p.1.25 x 20 Y 7 329 778 <=
29	04154228	1	air duct hood
30	01404426	1	copper gasket => Y 7 329 779



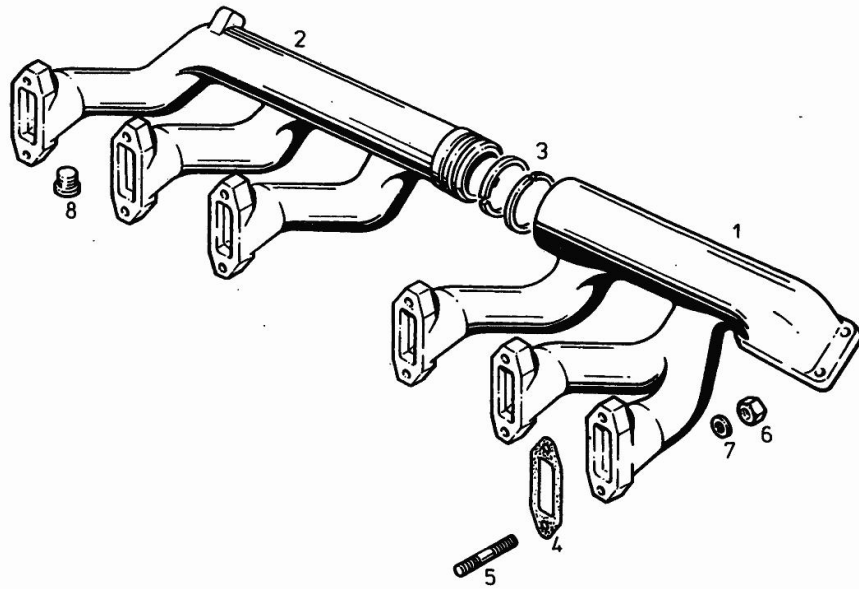
MOTOR ABGASSAMMELROHR NUR FUER 125KW/170 PS

Fig.	P/n	QTY	Name
------	-----	-----	------

Notes:

[M 36.10]

1	02134045	1	exhaust pipe
2	02238548	1	exhaust pipe
3	01162449	2	ring
4	03371689	6	gasket
5	01177087	12	stud bolt
6	02411054	12	nut
7	01107101	12	washer 8.4
8	01125788	1	plug



Thank you so much for reading.
Please click the “Buy Now!”
button below to download the
complete manual.



After you pay.

You can download the most
perfect and complete manual in
the world immediately.

Our support email:

ebooklibonline@outlook.com