

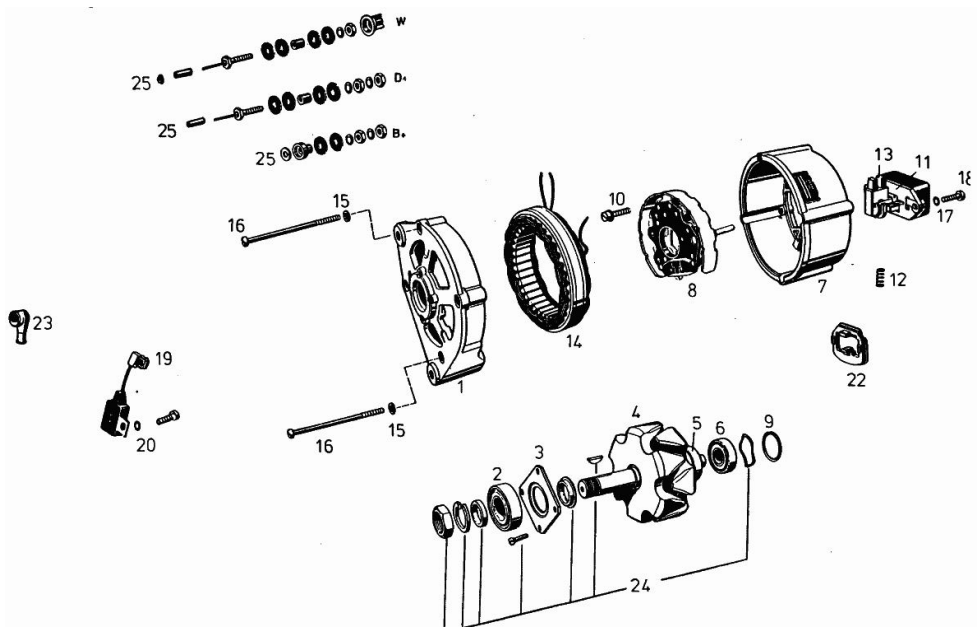
**ENGINE SINGLE PARTS FOR GENERATOR**

Fig.	P/n	QTY	Name
------	-----	-----	------

**Notes:**

[M 36.40]

1	01308494	1	cover
2	01136672	1	ball bearing
3	01301090	1	plate
4	01308495	1	impeller
5	01308496	1	-
6	01138536	1	ball bearing
7	01308497	1	bearing
8	01308498	1	rectifier
9	01306420	1	oil seal
10	01306413	3	screw
11	01173069	1	regulator
12	01306481	2	spring
13	01308451	1	gasket set
14	01308499	1	u bolt
15	01107544	4	washer 5,3x10x1,0
16	01308500	4	screw
17	01126724	2	spring disc
18	01123576	2	screw
19	01308397	1	condenser
20	01126725	1	spring disc
21	01105522	1	screw
22	01306486	1	gasket
23	01169028	2	tube
24	01307188	1	spare parts kit
25	01308454	1	spare parts kit



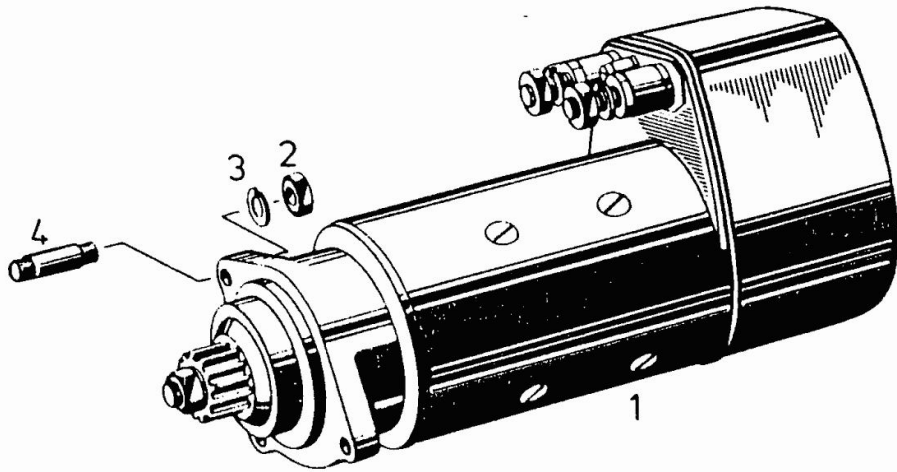
**ENGINE STARTER MOTOR**

Fig.	P/n	QTY	Name
------	-----	-----	------

**Notes:**

[M 36.40]

1	01174633	1	starter ☞ 4A.00.20000
2	01102659	3	nut m 10, d934
3	01107286	3	spring washer b10 d137
4	01103255	3	screw



**ENGINE SINGLE PARTS FOR STARTER MOTOR**

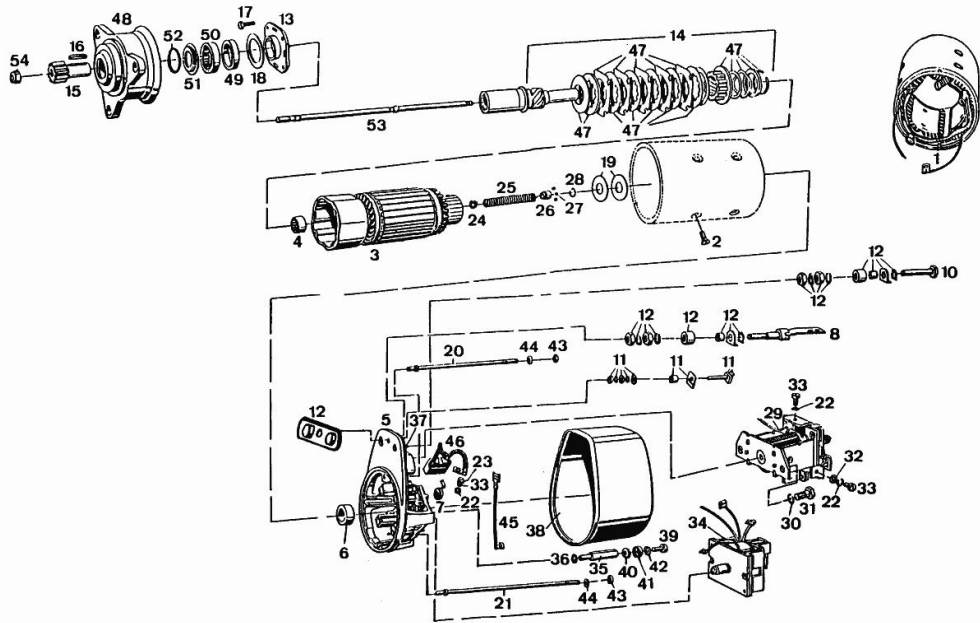


Fig.	P/n	QTY	Name
------	-----	-----	------

Notes:  
[M 36.40]

1	01320041	1	"field coil"
2	01132386	8	screw
3	01320042	1	armature
4	01290010	1	bearing
5	01290163	1	support
6	01289971	1	bushing
7	01290139	4	spring
8	01290021	1	guide
10	01290728	1	screw
11	01306445	1	spare parts kit
12	01320043	2	spare parts kit
13	01290150	1	cover
14	01308729	1	coupling
15	02985032	1	pinion
16	01117970	1	spring washer 6x4x32 d6885
16	01309611	1	bushing
17	01308730	4	screw
18	01289921	1	pulley
19	01289918		pulley
19	01289919		washer
19	01289920		pulley
20	01306711	1	screw
21	01306712	3	screw
22	01102796	8	ring 5
23	01306000	2	screw
24	01307289	1	ring
25	01309610	1	spring
26	01309611	1	bushing
27	01289875	11	ball
28	01290129	1	circlip
29	01298635	1	switch
30	01102799	2	washer 8, d128
31	01112307	2	screw m 8 p.1.25 x 15, d933
32	01107089	3	washer 5.3
33	01307966	6	screw
34	01298826	1	magnet
35	01290074	2	adjustable tensioner
36	01289903	2	washer
37	01289945	1	ring
38	01306477	1	pin
39	01136955	2	screw

**ENGINE SINGLE PARTS FOR STARTER MOTOR**

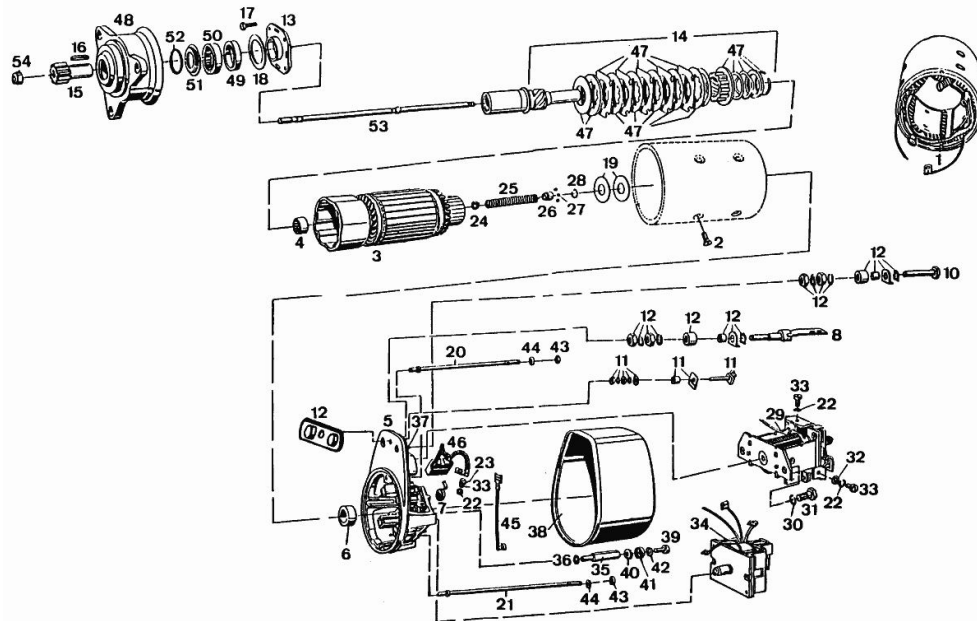


Fig.	P/n	QTY	Name
40	01289929	2	washer
41	01289992	2	washer
42	01102797	2	washer 6, d128
43	01112813	4	nut m 6
44	01124654	2	washer 6,4 d433
45	01306478	1	electric cable
46	01320044	1	accessories
47	01307085	1	spare parts kit
48	01298791	1	bearing
49	01289970	1	bushing
50	01290012	1	bearing
51	01289957	1	special oil seal
52	01290138	1	spring
53	01306716	1	spare parts kit
54	01309612	1	nut

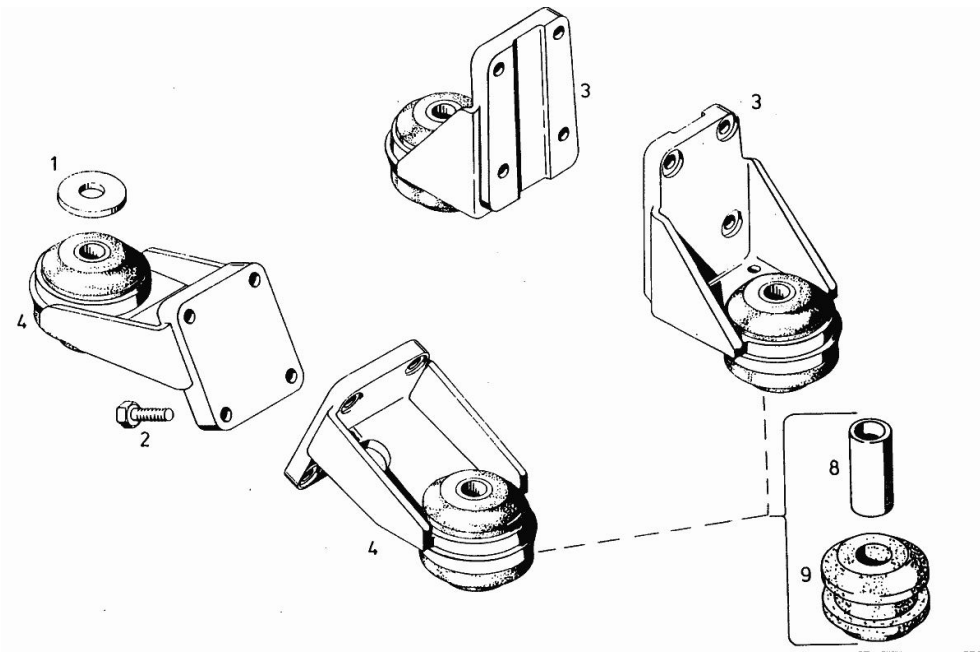
**ENGINE RESILIENT MOUNTING**

Fig.	P/n	QTY	Name
------	-----	-----	------

**Notes:**

[M 36.40]

1	02162088	4	washer
2	01112529	16	screw m 12 x 30, d933
3	02162056	2	foot board
4	02162074	2	foot board
8	02162057	4	bushing
9	02162054	4	rubber buffer



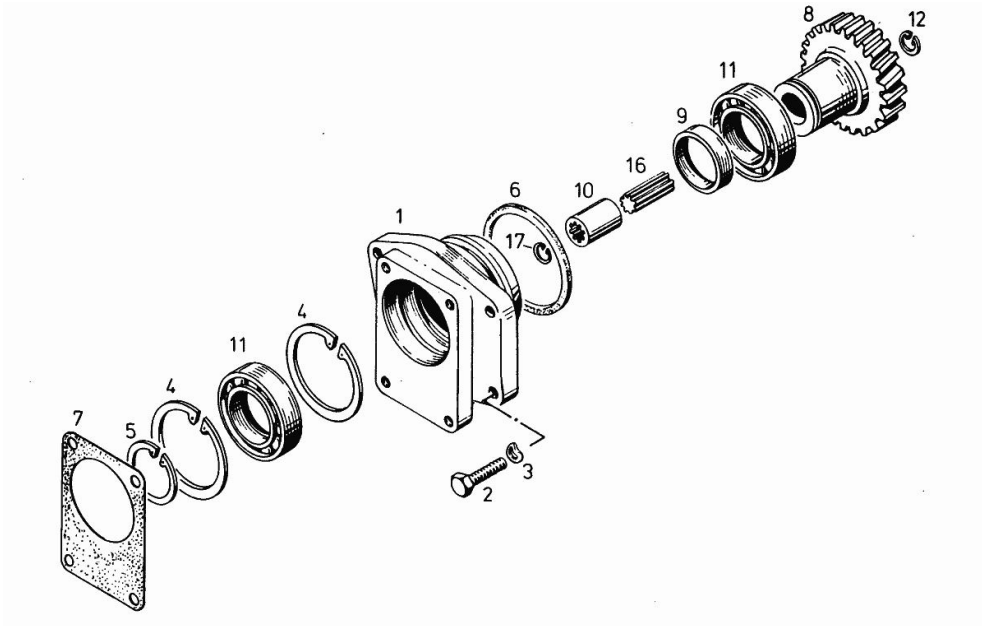
**ENGINE HYDRAULIC PUMP DRIVE**

Fig.	P/n	QTY	Name
------	-----	-----	------

**Notes:**

[M 36.40]

1	02163668	1	flange
2	01112439	3	screw m 10 x 35, d933
3	01107286	3	spring washer b10 d137
4	01107855	2	circlip 80 x 2.5
5	01161116	1	circlip 50x2
6	01163618	1	oil seal 90x4
7	02163670	1	gasket
8	02168074	1	gear
9	02164726	1	ring
10	02163673	1	sleeve
11	01109181	2	ball bearing 16010 d625
12	01107803	1	circlip
16	02168075	1	shaft
17	01107803	1	circlip



Section: ENGINE

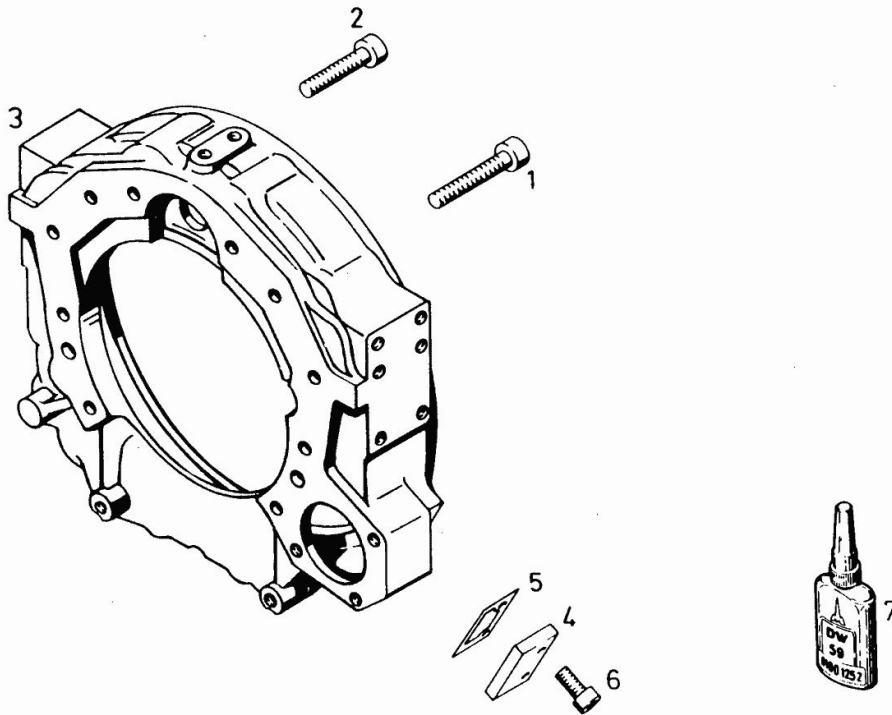
**ENGINE ADAPTER HOUSING**

Fig.	P/n	QTY	Name
------	-----	-----	------

**Notes:**

[M 36.40]

1	01136443	7	screw
2	01110799	3	screw
3	02246981	1	box
4	02247670	1	plate
5	02247671	1	gasket
6	01102193	2	screw m 8 x 16
7	01001252		loctite

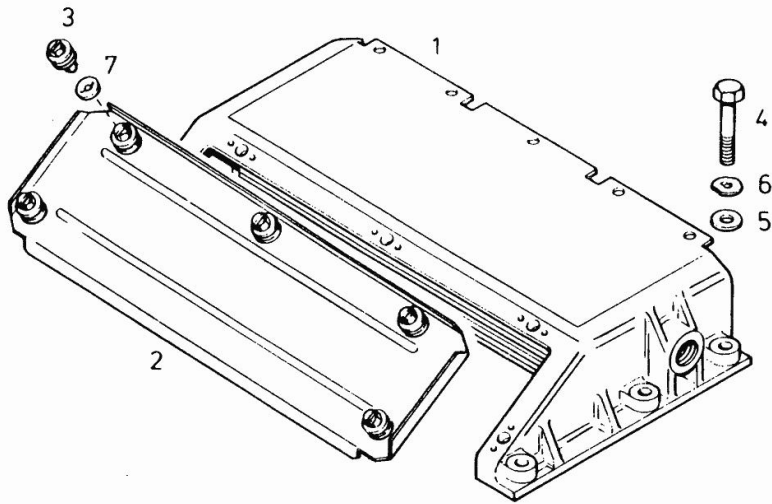


**MOTOR HYDRAULIKOELKUEHLER**

Fig.	P/n	QTY	Name
------	-----	-----	------

Notes:  
[M 36.40]

1	04145178	1	radiator ☞ 4D.00.20000
2	04140573	1	-
3	04145240	5	plug
4	01111145	6	screw m 8 x 40
5	01216101	6	washer
6	01107283	6	washer 8.2
7	02149202	5	washer



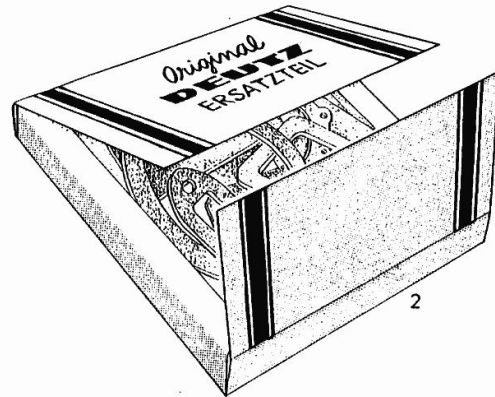
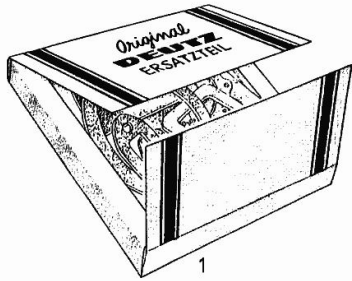


**ENGINE SEALING SET**

Fig.	P/n	QTY	Name
------	-----	-----	------

Notes:  
[M 36.40]

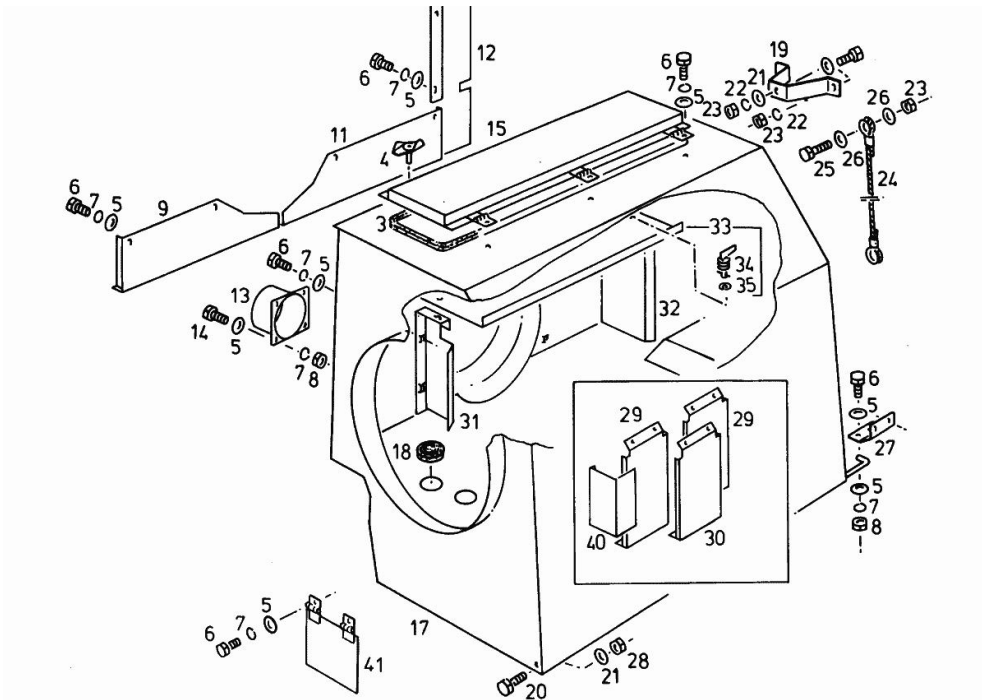
1	02911550	8	gasket set FOR CYLINDER
2	02911594	1	gasket set VOLLSTAENDIG FUER MOTOR F 8 L 413 FOHNE WELLWNDICHTRINGE 0242 1819, 0242 1820 UND 0414 4856



**ENGINE VENTILATION CHANNEL ASSEMBLY PARTS**

Fig.	P/n	QTY	Name
------	-----	-----	------

Notes:  
[M 36.40]

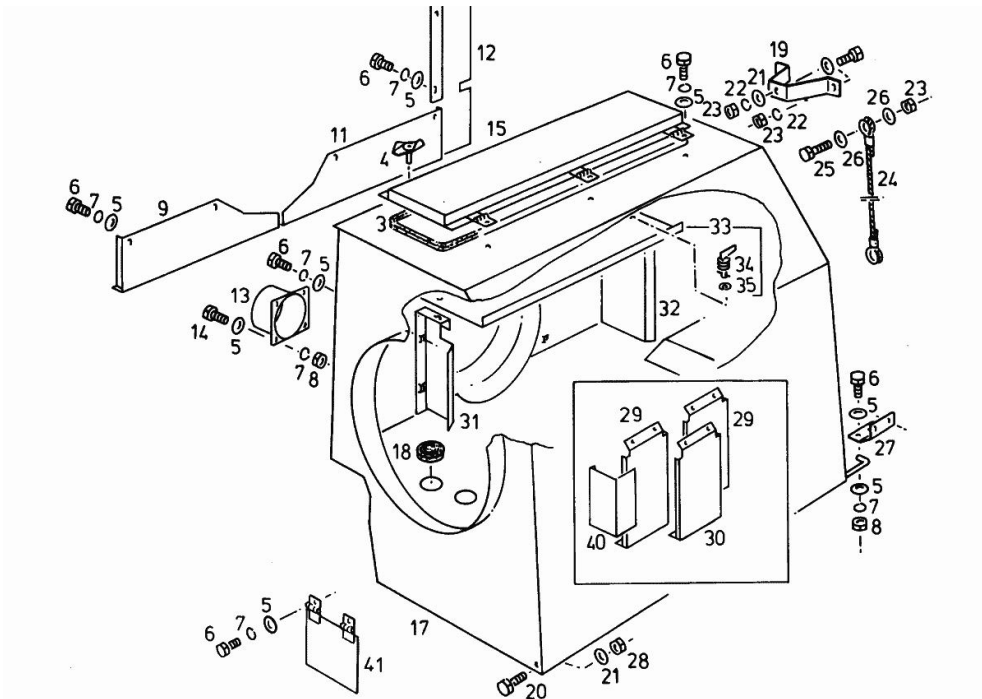


3	1210736131300	-	-
4	06280501	3	stop
5	06214159	-	-
6	01103316	26	screw m 6 p.1.0 x 16
7	01102797	26	washer 6, d128
8	01112813	10	nut m 6
9	06526665	1	plate
11	06526664	1	plate
12	06520043	1	plate
13	06526688	1	sleeve
14	01103316	4	screw m 6 p.1.0 x 16
15	06501401	1	cover
15	06537797	1	cover 2438 <-- > 2439
17	06524778	1	air shaft 2438 <-- > 2439
17	06541277	1	air shaft > 2439
18	06273149	2	rubber bushing
19	1210702039700	1	-
20	01112322	4	screw m 8 p.1.25 x 20
21	01107163	4	washer 9, d126
22	01102799	3	washer 8, d128
23	01112824	5	nut m 8, d934
24	06501404	1	rope
26	06214192	6	washer 8.4
27	1211102118600	1	-
28	01104944	1	nut m 8, d985
29	06530926	2	- V (CH
30	06530928	1	- V (CH
31	06517654	1	shield
32	06517651	1	shield
33	06517657	1	plate
34	02417486	2	pin
35	02417488	2	disc
40	06530922	1	division V (CH
41	00000000	-	-

**ENGINE VENTILATION CHANNEL ASSEMBLY PARTS**

Fig.	P/n	QTY	Name
------	-----	-----	------

NOT INSTALLED



Thank you so much for reading.  
Please click the “Buy Now!”  
button below to download the  
complete manual.



After you pay.

You can download the most  
perfect and complete manual in  
the world immediately.

Our support email:

[ebooklibonline@outlook.com](mailto:ebooklibonline@outlook.com)