

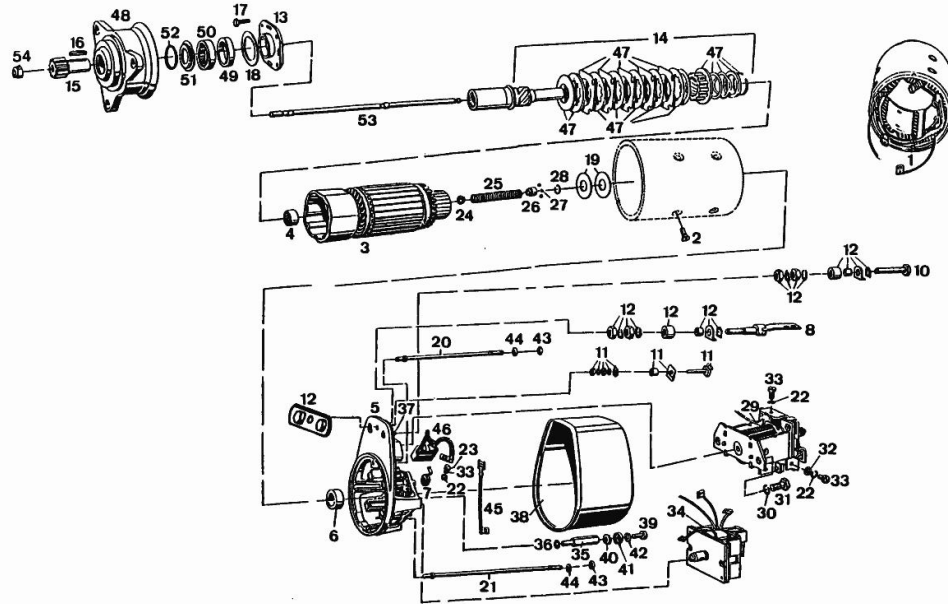
Section: ENGINE

**MOTOR/ENZELTEILE FUER ANLASSER**

Fig.	P/n	QTY	Name
------	-----	-----	------

Notes:

[M 36.40 AB 3349]

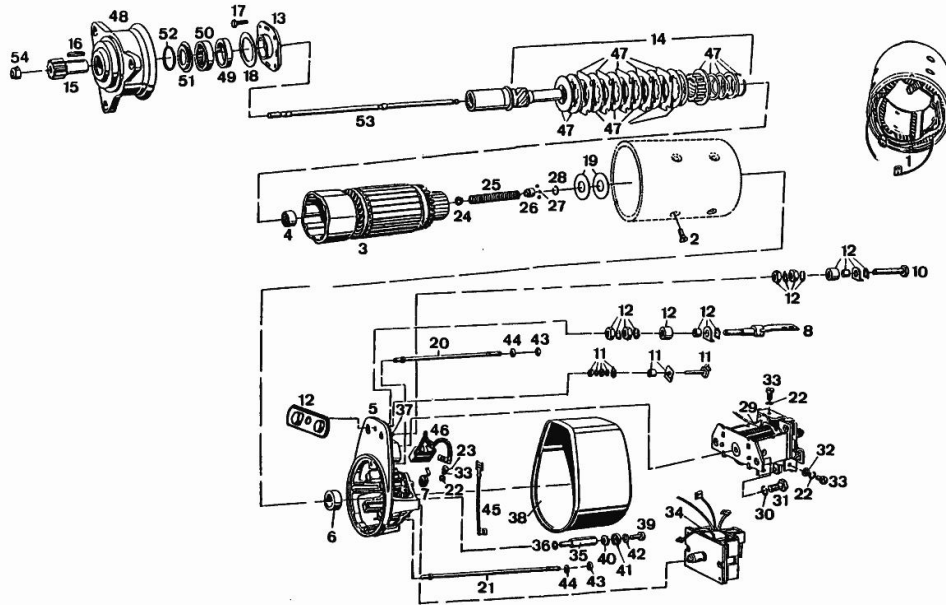


1	01320041	1	"field coil"
2	01132386	8	screw
3	01320042	1	armature
4	01290010	1	bearing
5	01290163	1	support
6	01289971	1	bushing
7	01290139	4	spring
8	01290021	1	guide
10	01290728	1	screw
11	01306445	1	spare parts kit
12	01320043	2	spare parts kit
13	01290150	1	cover
14	01308729	1	coupling
15	02985032	1	pinion
16	01117970	1	spring washer 6x4x32 d6885
17	01308730	4	screw
18	01289921	1	pulley
19	01289918		pulley
			0,30 MM
19	01289919		washer
			0,50 MM
19	01289920		pulley
			0,20 MM
20	01306711	1	screw
21	01306712	3	screw
22	01102796	8	ring 5
23	01306000	2	screw
24	01307289	1	ring
25	01309610	1	spring
26	01309611	1	bushing
27	01289875	11	ball
28	01290129	1	circlip
29	01298635	1	switch
30	01102799	2	washer 8, d128
31	01112307	2	screw m 8 p.l.25 x 15, d933
32	01107089	3	washer 5.3
33	01307966	6	screw
34	01298826	1	magnet
35	01290074	2	adjustable tensioner
36	01289903	2	washer
37	01289945	1	ring

Section: ENGINE

**MOTOR/ENZELTEILE FUER ANLASSER**

Fig.	P/n	QTY	Name
38	01306477	1	pin
39	01136955	2	screw
40	01289929	2	washer
41	01289992	2	washer
42	01102797	2	washer 6, d128
43	01112813	4	nut m 6
44	01124854	4	nut
45	01306478	1	electric cable
46	01320044	1	accessories
47	01307085	1	spare parts kit
48	01298791	1	bearing
49	01289970	1	bushing
50	01290012	1	bearing
51	01289957	1	special oil seal
52	01290138	1	spring
53	01306716	1	spare parts kit
54	01309612	1	nut



Section: ENGINE

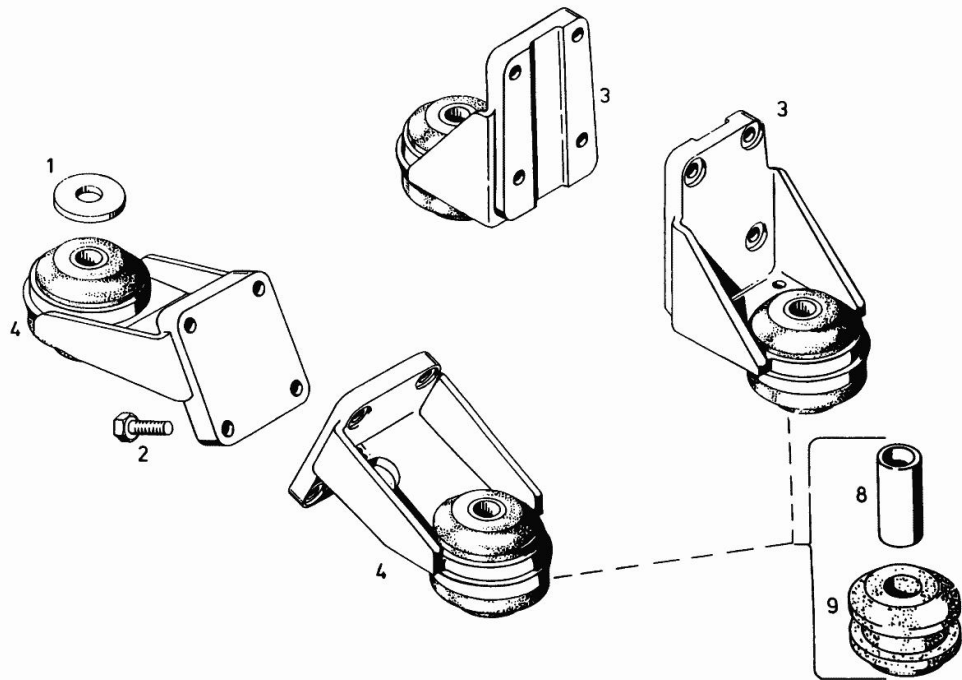
**ENGINE RESILIENT MOUNTING**

Fig.	P/n	QTY	Name
------	-----	-----	------

**Notes:**

[M 36.40 AB 3349]

1	02162088	4	washer
2	01112529	16	screw m 12 x 30, d933
3	02162056	2	foot board
4	02162074	2	foot board
8	02162057	4	bushing
9	02162054	4	rubber buffer



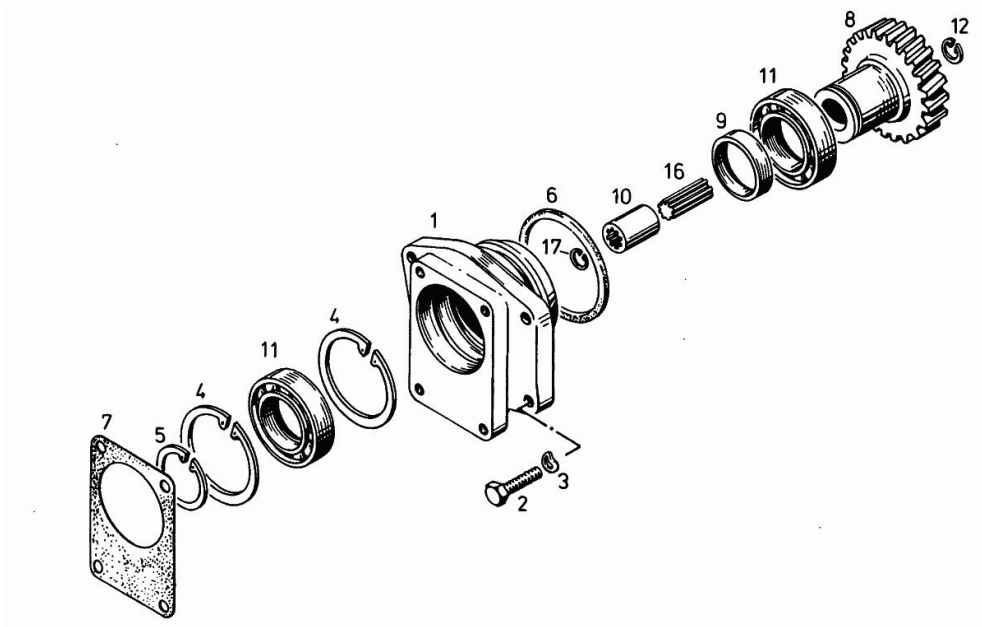
**MOTOR HYDRAULKPÜMPENANTRIEB**

Fig.	P/n	QTY	Name
------	-----	-----	------

**Notes:**

[M 36.40 AB 3349]

1	02163568	1	register
2	01112439	3	screw m 10 x 35, d933
3	01107286	3	spring washer b10 d137
4	01107855	2	circlip 80 x 2.5
5	01161116	1	circlip 50x2
6	01163618	1	oil seal 90x4
7	02163670	1	gasket
8	02168074	1	gear
9	02164726	1	ring
10	02163673	1	sleeve
11	01109181	2	ball bearing 16010 d625
12	01107803	1	circlip
16	02168075	1	shaft
17	01107803	1	circlip



Section: ENGINE

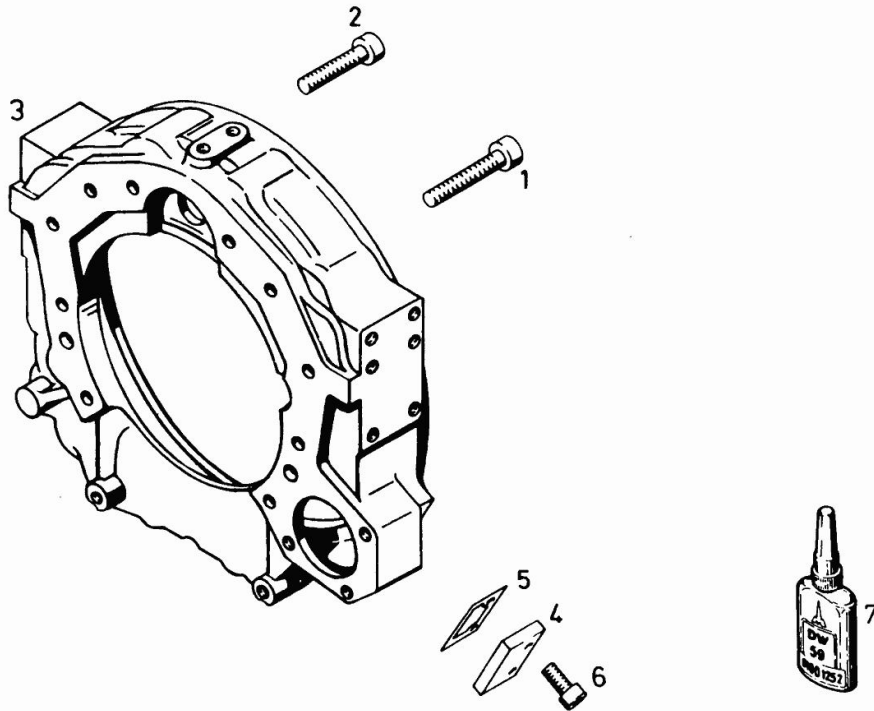
**ENGINE ADAPTER HOUSING**

Fig.	P/n	QTY	Name
------	-----	-----	------

**Notes:**

[M 36.40 AB 3349]

1	01136443	7	screw
2	01110799	3	screw
3	02246981	1	box
4	02247670	1	plate
5	02247671	1	gasket
6	01102193	2	screw m 8 x 16
7	01001252		loctite



Section: ENGINE

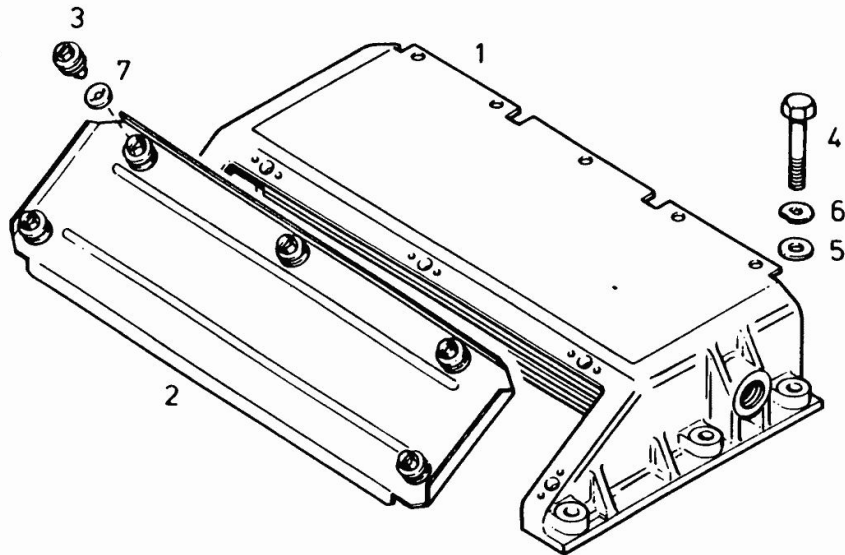
**ENGINE HYDR. OIL COOLER 150 KW / 205 HP 176 KW / 240 HP**

Fig.	P/n	QTY	Name
------	-----	-----	------

**Notes:**

[M 36.40 AB 3349]

1	04145178	1	radiator
2	04140573	1	-
3	04145240	5	plug
4	01111145	1	screw m 8 x 40
5	01216101	1	washer
6	01107283	6	washer 8.2
7	02149202	5	washer



Section: ENGINE

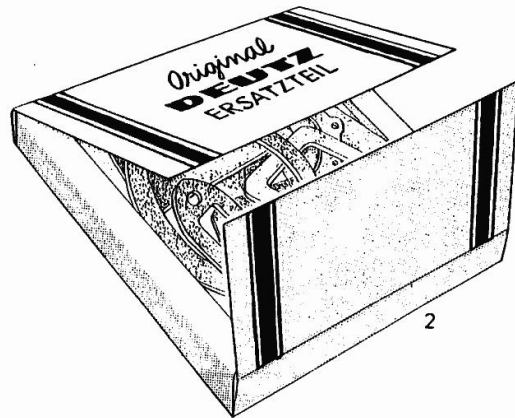
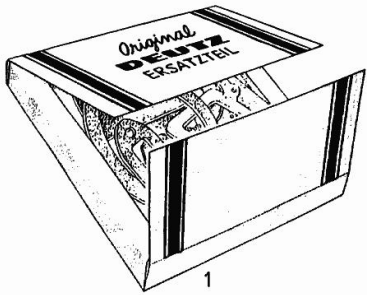
**ENGINE SEALING SET**

Fig.	P/n	QTY	Name
------	-----	-----	------

**Notes:**

[M 36.40 AB 3349]

1	02911550	8	gasket set FOR CYLINDER
2	02911594	1	gasket set VOLLSTAENDIG FUER MOTOR F 8 L 413 F OHNE WELLENDICHTRINGE 0242 1819, 0242 1820 UND 0414 4856



Section: ENGINE

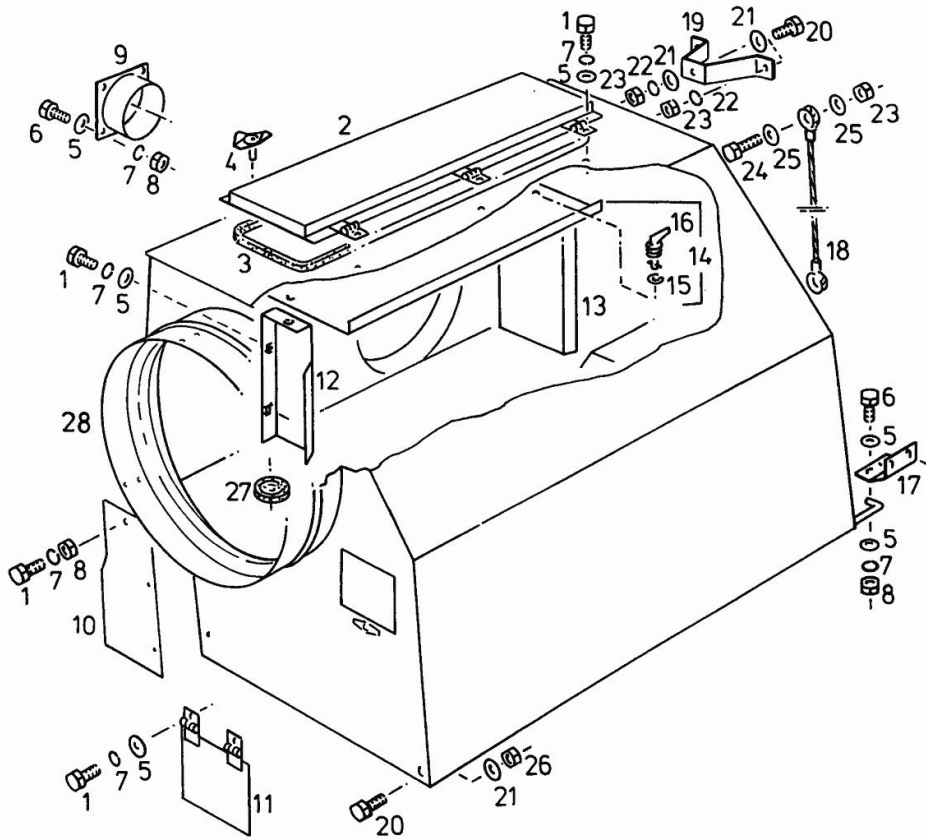
**ENGINE VENTILATION CHANNEL ASSEMBLY PARTS**

Fig.	P/n	QTY	Name
------	-----	-----	------

Notes:

[M 36.40 AB 3349]

1	01112240	12	screw m 6 x 12
2	06537797	1	cover
3	06276360		gasket l-3910
4	06280501	3	stop
5	06214189		washer 6.4
6	01103316	8	screw m 6 p.1.0 x 16
7	01102797	20	washer 6, d128
8	01112813	13	nut m 6
9	06255934	1	tube NOT INSTALLED
11	06539295	1	cover
12	06517654	1	shield
13	06517651	1	shield
14	06517657	1	plate
15	02417488	2	disc
16	02417486	2	pin
17	06288113	1	plate
18	06501404	1	rope
19	06282821	1	-
20	01112322	4	screw m 8 p.1.25 x 20
21	01107163		washer 9, d126
22	01102799	3	washer 8, d128
23	01112824	5	nut m 8, d934
24	01112341	2	screw m 8 x 30, d933
25	06214192	6	washer 8.4
26	01104944	1	nut m 8, d985
27	06273149	4	rubber bushing
28	06545183	1	air shaft





Section: ENGINE

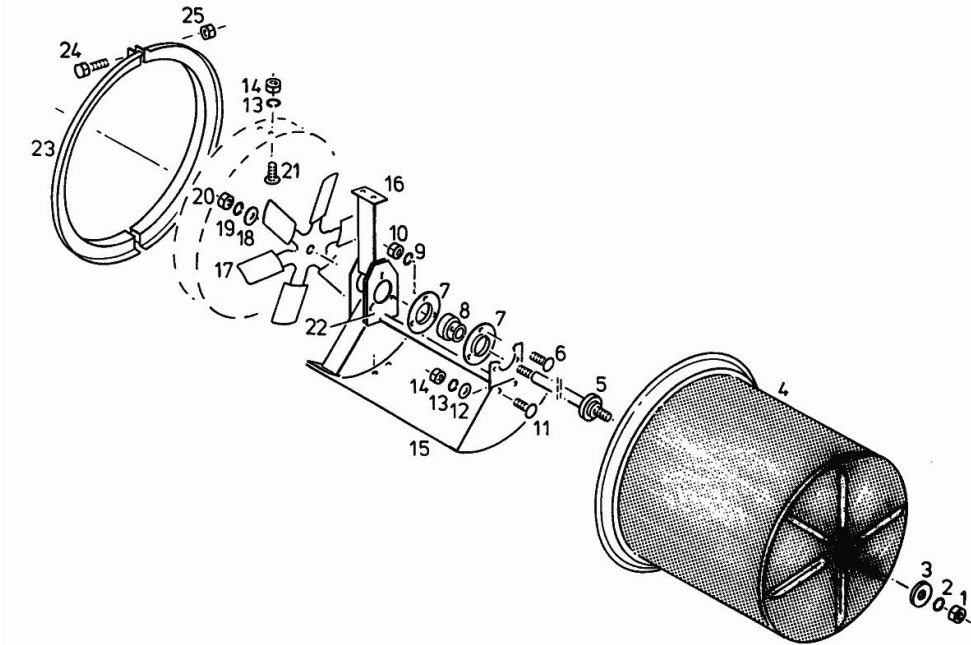
**ENGINE ROTARY RADIATOR FILTER ASSEMBLY PARTS**

Fig.	P/n	QTY	Name
------	-----	-----	------

**Notes:**

[M 36.40 AB 3349]

1	01112858	1	nut m 12, d934
2	01102801	1	washer 12
3	06214210	1	washer 13 x 40 x 5.0, zn
4	06545164	1	none - 3964
4	16000397	1	filtering basket + 3965
5	06547025	1	shaft
6	01138993	6	screw m 8 x 16
8	06215739	2	bearing yb 20
9	01102799	6	washer 8, d128
10	01112824	6	nut m 8, d934
11	01138989	2	screw m 6 x 16
12	06214189	10	washer 6.4
13	01102797	10	washer 6, d128
14	01112813	10	nut m 6
15	06547022	1	plate 4194 <--
15	16000440	1	plate -> 4195
16	06547019	1	support 3619 <--
16	06548139	1	support -> 3620 - 4194 <--
16	16000433	1	support ->4195
17	06543421	1	fan 6-armig
18	01107165	1	washer 10.5
19	01102800	1	washer 10.2
20	01102659	1	nut m 10, d934
21	06214131	6	screw m 6 x 12
22	06548143	1	arm -> 3620
23	16000400	2	shoulder ring -> 3695
24	01111064	2	screw -> 3695
25	01114357	2	nut m 6, d985 -> 3695



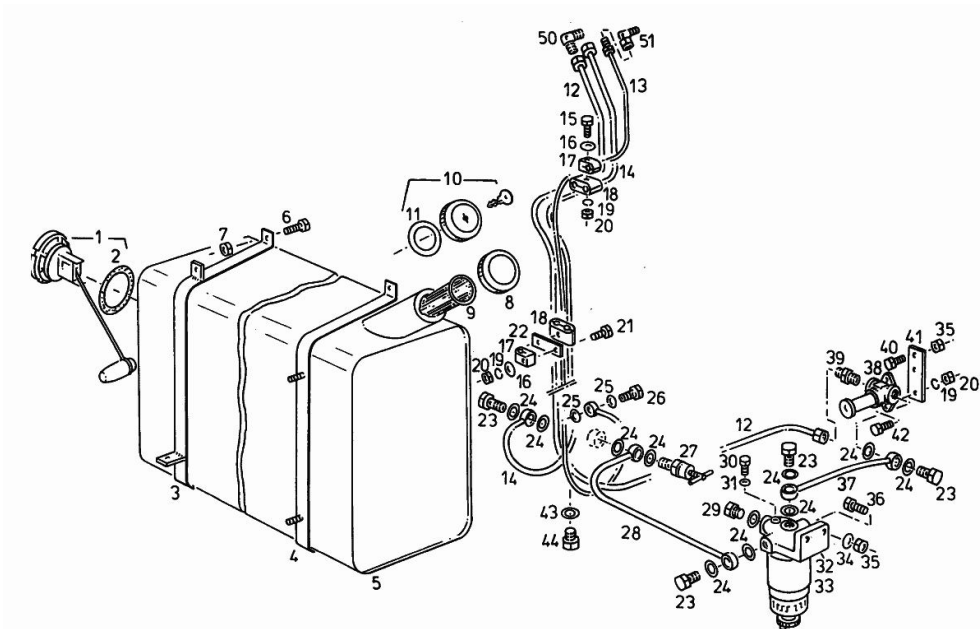
Section: ENGINE

**FUEL TANK - 9930 BF 8L 513**

Fig.	P/n	QTY	Name
------	-----	-----	------

**Notes:**

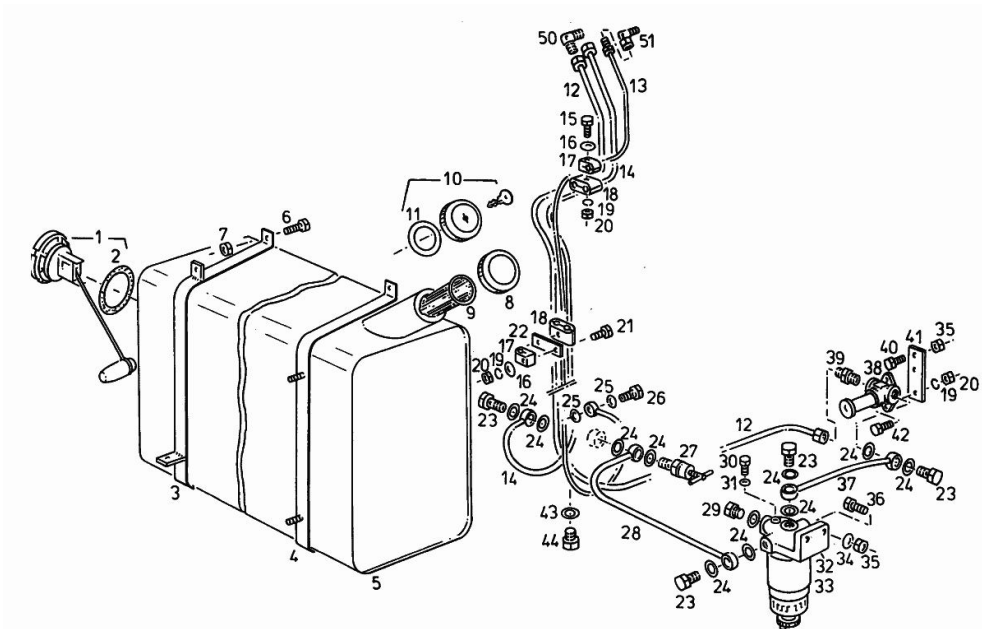
[M 36.40 AB 3349]



1	06260395	1	level indicator
2	06260431		gasket
3	06513318	2	metal strip
4	06513320	1	metal strip
5	06511392	1	casing
6	01112547	4	screw m 12 x 40, d933
6	01125600	2	screw
7	06209768	2	nut m 10, d985
7	06209769	4	nut m 12, d985
8	01130760	1	cover dv80
9	06255970	1	small mesh
10	01216272	1	cover W
11	01211299	1	oil seal X 8,10
12	06524827	1	pipng
13	06524830	1	pipng
14	06524834	1	pipng
15	01102664	1	screw m 6 x 45
16	06214189	3	washer 6.4
17	01141501	3	clamp Ø 6
18	05240725	6	-
19	01102797	7	washer 6, d128
20	01112813	7	nut m 6
21	01123749	2	screw m 6 x 25
22	06524833	1	link
23	01139202	2	pipe union m 14 x 1,5
24	01118688	7	ring 14x17
25	01101525	2	oil seal
26	01139200	1	pipe union m 10 x 1
27	04302546	1	screw
28	06524822	1	pipng
29	01100940	1	screw
30	01112232	1	screw m 6 p.1 x 10
31	01118641	1	ring a 6x10 d7603
32	01174821	1	console
33	01174483	1	fuel filter element
34	01107165	4	washer 10.5
35	06209768	3	nut m 10, d985
36	01112429	2	screw m 10 x 30, d933
37	06513341	1	pipng 10x505

**FUEL TANK - 9930 BF 8L 513**

Fig.	P/n	QTY	Name
38	01176336	1	feed pump
39	01116680	1	pipe fitting
40	01112418	1	screw m 10 x 25, d933
41	06524881	1	link
42	01112264	2	screw m 6 x 20, d933
43	01118700	1	oil seal Ø 16 x 20
44	06260369	1	screw 16x1,5
48	01298791	1	bearing
49	01289970	1	bushing
50	01116732	2	pipe fitting w 10 l
51	06272709	1	vent evw 6l



Thank you so much for reading.  
Please click the “Buy Now!”  
button below to download the  
complete manual.



After you pay.

You can download the most  
perfect and complete manual in  
the world immediately.

Our support email:

[ebooklibonline@outlook.com](mailto:ebooklibonline@outlook.com)