

Section: ENGINE

CRANKCASE

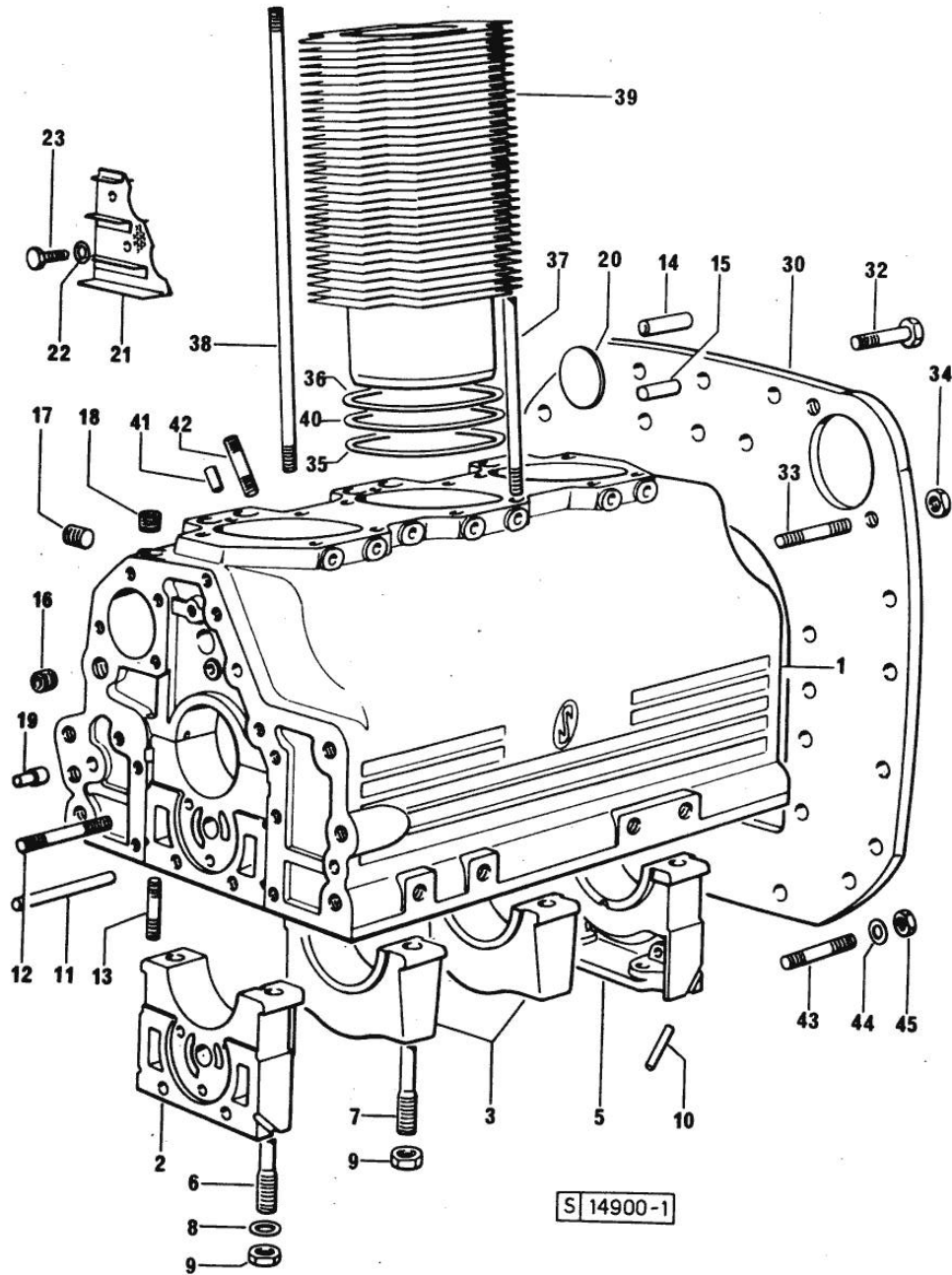


Fig.	P/n	QTY	Name
------	-----	-----	------

Notes:

[MINTAURO 60 FRUTTETO -> 41395]

0	0.038.0050.6	1	old part number - FOR ENGINE MOUNTING
1	0.035.1110.4/30	1	crankcase
2	0.004.8776.0	1	support
3	0.029.1113.0	2	support
5	0.029.1116.0	1	support
6	0.021.1157.0	4	stud bolt
7	0.029.1117.0	4	stud bolt
8	2.1599.144.0	8	shoulder
9	2.1019.026.1	8	special nut m 12 p.1.5
10	0.029.1154.0	4	gasket
11	2.1699.116.0	1	pin
12	2.0432.018.1	5	stud bolt m 8 p.1.25 / p.1 x 65
13	2.0432.003.1	24	stud bolt m 8 p.1.25 / p.1 x 20
14	2.1652.911.0	2	cylindrical plug 12x25
15	2.1653.708.0	2	pin 8x18
16	2.3130.002.1	2	plug 1/4" gas
17	2.3139.001.1	3	plug
18	2.3130.001.1	3	plug 1/8" gas
19	2.1699.021.0	1	pin 7.8x8x20
20	2.3170.022.1	1	expansion plug 60
21	0.029.1155.2/20	1	plate
22	2.1470.002.2	2	lock washer 6
23	2.0112.002.2	2	screw m 6 p.1 x 10
30	0.029.1130.0/20	1	flange
32	2.0112.511.1	11	screw m 14 p.2 x 30
33	2.0432.267.1	2	stud bolt m 12 p.1.75-1.25x60
34	2.1011.207.2	2	nut m 12 p.1.5
35	2.1589.036.0	3	shim
36	2.1589.037.0	3	shim
37	0.039.1122.0	12	stud bolt m 12 p.1.5x310
38	0.037.1122.0	3	stud bolt
39	0.039.1120.0/10	3	engine cylinder
40	2.1569.055.0	3	shim
41	2.1653.708.0	1	pin 8x18
42	2.0432.267.1	2	stud bolt m 12 p.1.75-1.25x60
43	2.0432.159.1	2	stud bolt m 10 x 35
44	2.1474.010.1	2	spring washer 10
45	2.1011.421.2	2	nut m 10 p.1.25

Section: ENGINE

TIMING CASE

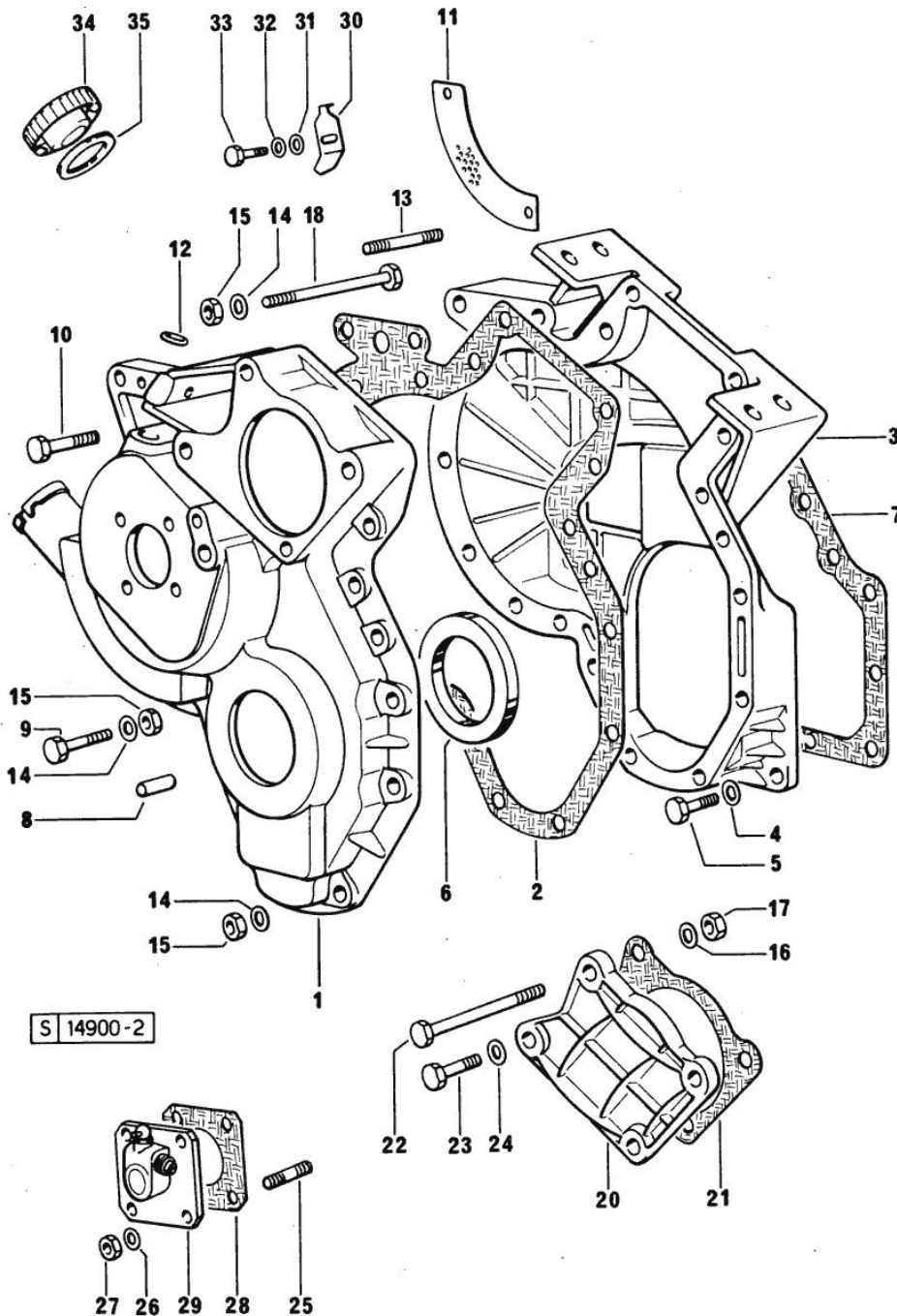


Fig.	P/n	QTY	Name
------	-----	-----	------

Notes:

[MINTAURO 60 FRUTTETO -> 41395]

1	0.027.1155.0/30	1	governor housing
2	0.027.1156.0	1	gasket
3	0.027.1154.0/30	1	flange
4	2.1474.009.1	8	spring washer 8
5	2.0112.207.2	8	screw m 8 p 1.25 x 20
6	2.1519.010.0	1	special oil seal 58x80x10
7	0.029.1153.0/10	1	gasket
8	2.1652.711.0	1	cylindrical plug 8x25
9	2.0122.213.2	4	screw m 8 p.1x35
10	2.0122.222.2	1	screw
11	0.027.1152.0/20	1	small plate
12	2.1530.028.0	1	oil seal 11.91 x 2.62
13	2.0439.060.2	3	stud bolt m 8 p.1.25-1x22
14	2.1474.009.1	15	spring washer 8
15	2.1011.405.2	15	nut m 8 p.1
16	2.1474.009.1	2	spring washer 8
17	2.1011.405.2	3	nut m 8 p.1
18	2.0122.225.2	2	screw m 8 p.1x80
20	0.029.1163.0	1	small cover
21	0.054.1155.0	1	gasket
22	2.0122.229.1	2	screw m 8 x 100
23	2.0112.211.2	2	screw m 8 p.1.25 x 30
24	2.1474.009.1	2	spring washer 8
25	2.0439.055.1	4	stud bolt m 6 p.1 x 18
26	2.1470.002.2	4	lock washer 6
27	2.1011.103.2	4	nut m 6 p.1
28	0.026.1150.0	1	gasket
29	2.7049.210.0/20	1	transmission
30	0.038.1150.0	1	index
31	2.1310.003.2	1	flat washer 7.4x14
32	2.1470.004.2	1	lock washer 8
33	2.0112.204.2	1	screw m 8 p.1.25x14
34	0.022.1135.3	1	plug
35	2.1569.048.0	1	gasket

Section: ENGINE

CRANKSHAFT

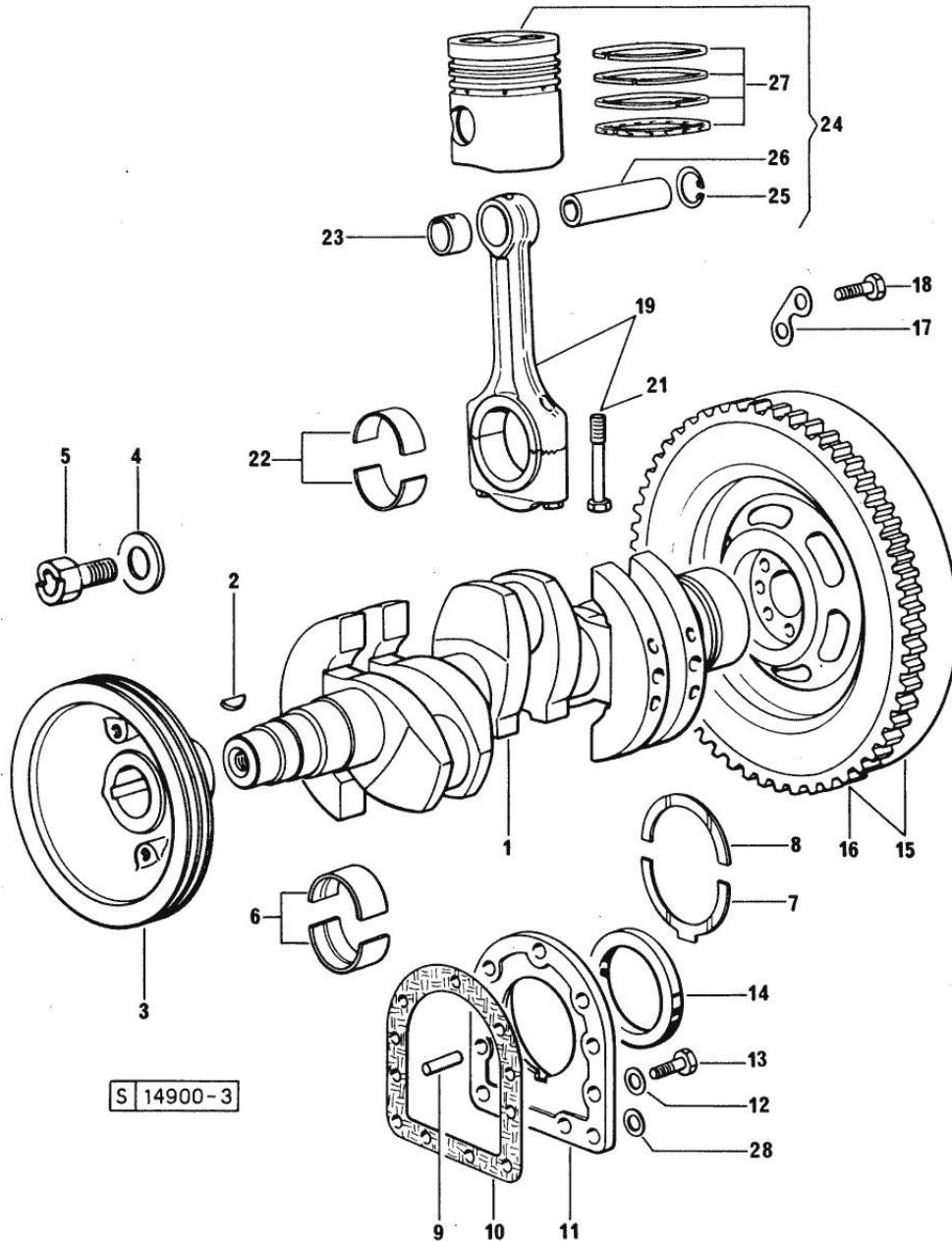


Fig.	P/n	QTY	Name
------	-----	-----	------

Notes:
[MINTAURO 60 FRUTTETO -> 41395]

1	0.029.1210.4/30	1	crankshaft
2	2.1799.002.0	1	stick 10x13
3	0.038.1244.0	1	pulley
4	0.001.6020.0	1	shoulder
5	2.0129.032.2	1	screw m 24 p.2x45
6	0.029.0066.0	8	main half bushing - mm 1.00
6	0.029.1215.0/10	8	main half bushing
6	0.029.1215.7	8	main half bushing - mm 0.25
6	0.029.1215.8	8	main half bushing - mm 0.50
6	0.029.1215.9	8	main half bushing - mm 0.75
7	0.001.4547.0	2	shoulder ring + mm 0.05
7	0.001.4548.0	2	shoulder ring + mm 0.10
7	0.001.4549.0	2	shoulder ring + mm 0.15
7	0.042.1219.0	2	shoulder ring STANDARD
8	0.001.4544.0	2	shoulder ring + mm 0.05
8	0.001.4545.0	2	shoulder ring + mm 0.10
8	0.001.4546.0	2	shoulder ring + mm 0.15
8	0.042.1218.0	2	shoulder ring STANDARD
9	2.1652.915.0	2	cylindrical plug 12x35
10	0.029.1250.0	1	gasket
11	0.029.1240.0	1	flange
12	2.1474.010.1	6	spring washer 10
13	2.0112.309.2	7	screw m 10 p.1.5 x 25
14	2.1519.009.0	1	special oil seal
15	0.054.1241.3/10	1	flywheel
16	0.038.1242.0	1	crown wheel Z = 120, mm 15
17	2.1379.006.0	3	lock-tab 15x15x36,5
18	2.0122.515.7	6	screw
19	0.039.1220.3/20	3	engine connecting rod
21	0.039.1250.0	6	screw m 14 p.1.5x63
22	0.039.0068.0	6	con.rod half bushing - mm 1.016
22	0.039.1225.0	6	con.rod half bushing
22	0.039.1225.7	6	con.rod half bushing -mm 0.254
22	0.039.1225.8	6	con.rod half bushing -mm 0.508
22	0.039.1225.9	6	con.rod half bushing -mm 0.762
23	0.002.4168.0	3	bearing
24	0.038.0060.6	3	complete piston
24	0.038.0061.6	3	complete piston + mm 0.5
24	0.038.0062.6	3	complete piston + mm 1.0
25	2.1411.014.1	6	circlip 35
26	0.038.1236.0	3	piston pin

CRANKSHAFT

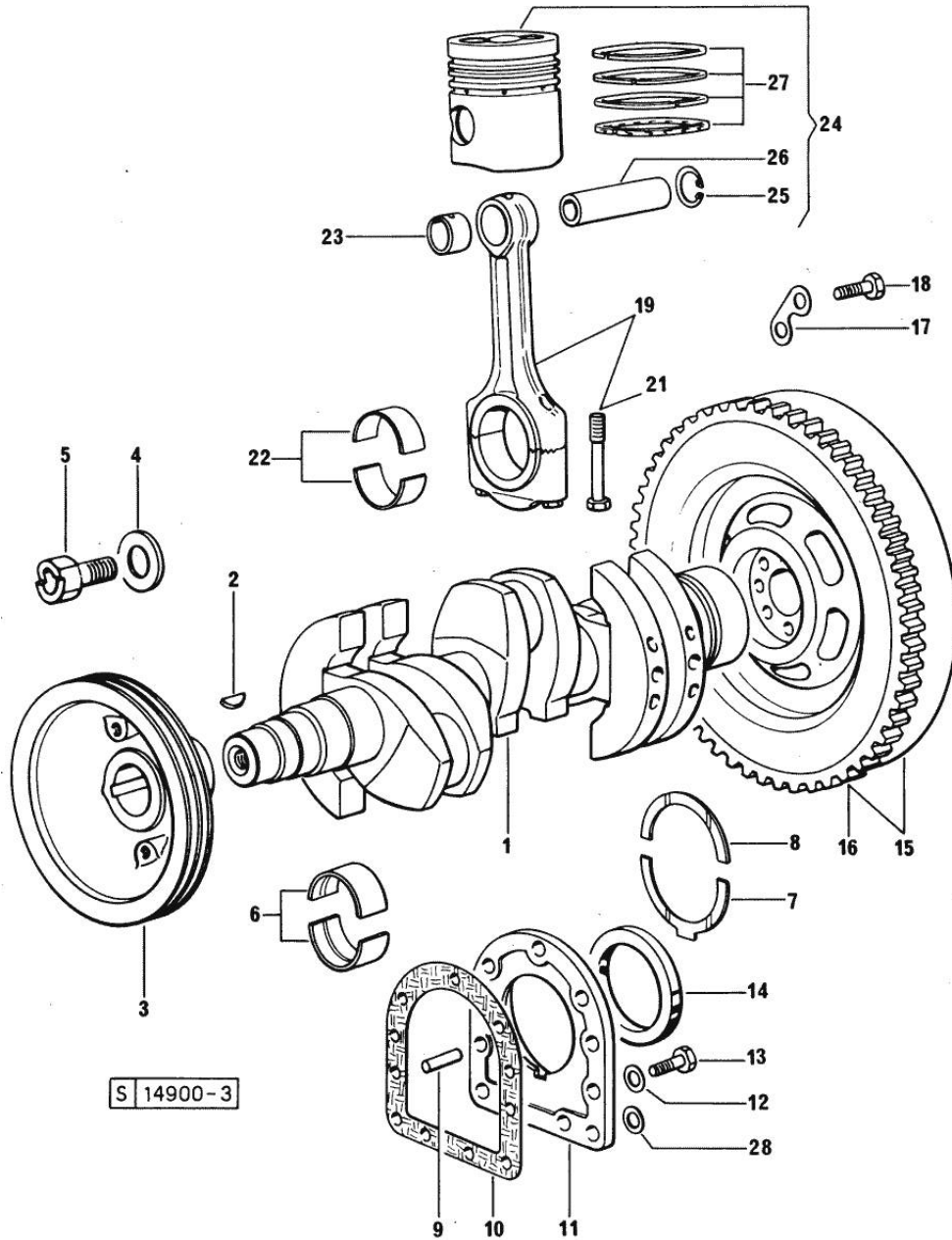


Fig.	P/n	QTY	Name
27	0.038.0052.6	3	piston ring set
27	0.038.0053.6	3	piston ring set + mm 0.5
27	0.038.0054.6	3	piston ring set + mm 1.0
28	2.1560.006.0	3	gasket 10.2 x 16

Section: ENGINE

CAMSHAFT

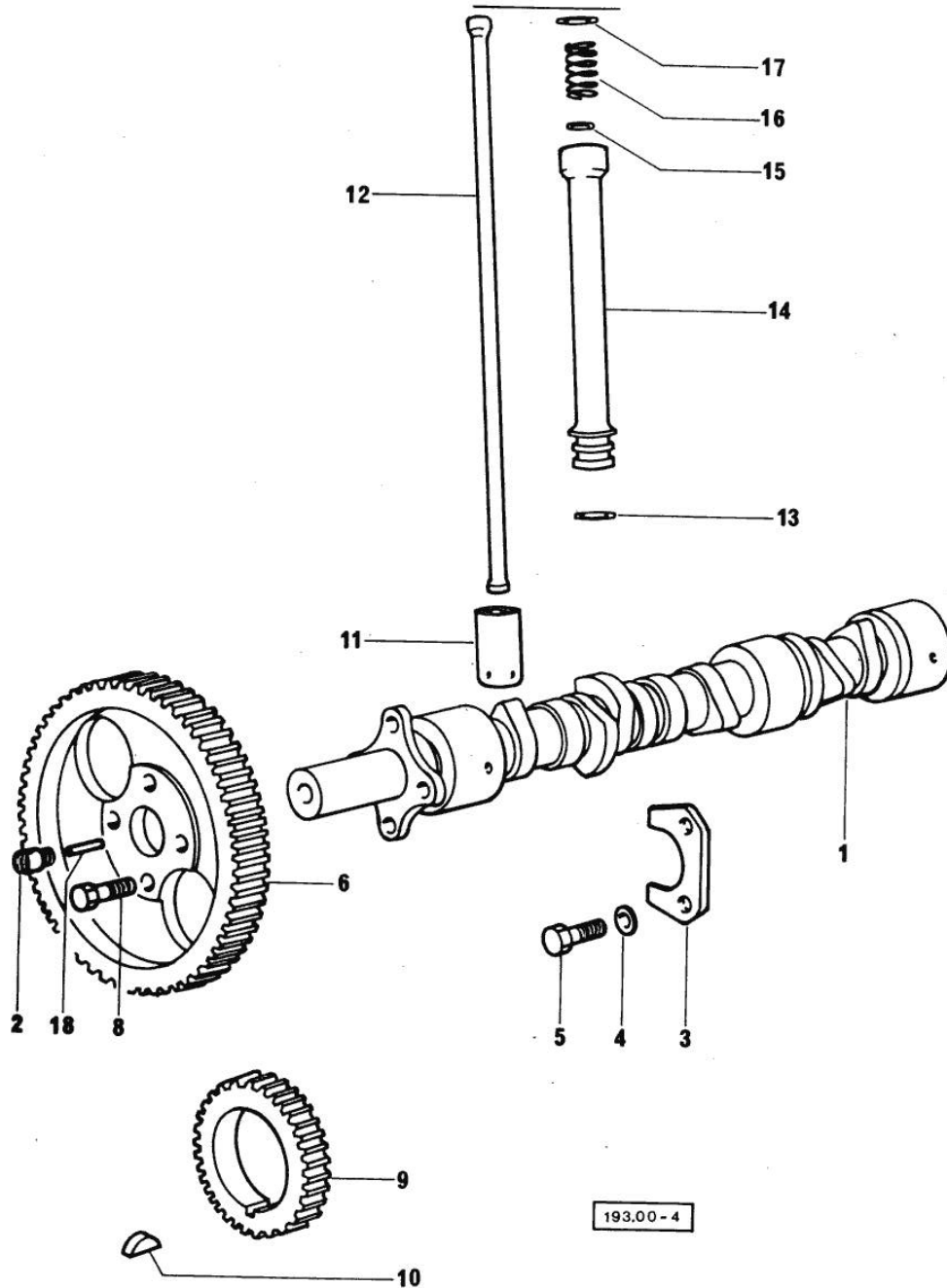


Fig.	P/n	QTY	Name
------	-----	-----	------

Notes:

[MINTAURO 60 FRUTTETO -> 41395]

1	0.035.1310.0/10	1	camshaft
2	0.027.1350.0/20	1	pin
3	0.027.1314.0	1	flange
4	2.1470.004.2	2	lock washer 8
5	2.0312.206.2	2	screw m 8 p 1.25 x 20
6	0.035.1321.0	1	gear
8	2.0139.006.1	4	screw
9	0.029.1320.0	1	gear Z = 45
10	2.1720.010.0	1	key 5x9
11	0.002.3909.0	6	tappets
12	0.037.1331.0	6	rod
13	2.1539.018.0	6	special oil seal
14	0.039.1332.0/10	6	sleeve
15	2.1539.022.0	6	special oil seal 12.37x2.62
16	2.4019.149.1	6	spring 14x29x2
17	2.1569.037.0	6	gasket
18	2.1650.513.0	1	pin 6 x 30

Section: ENGINE
CYLINDER HEAD

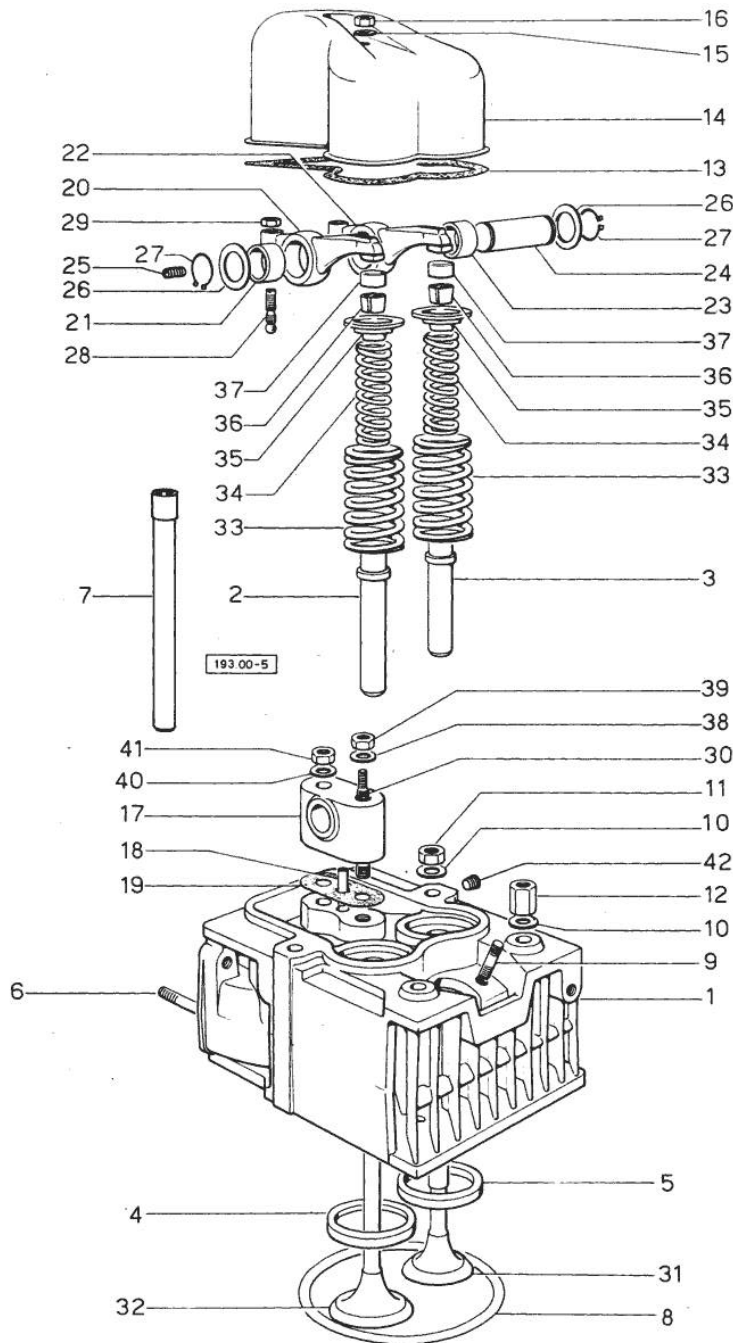


Fig.	P/n	QTY	Name
------	-----	-----	------

Notes:
[MINTAURO 60 FRUTTETO -> 41395]

0	0.038.0057.6	1	gasket set - FOR 1 CYLINDER VALVE GRINDING AND PISTON RINGS REPLACEMENT
1	0.040.1410.3/20	3	old part number
2	0.037.1416.0	3	valve guide
3	0.037.1417.0/10	3	valve guide
4	0.037.1451.0/10	3	valve seat
5	0.037.1452.0/10	3	valve seat
6	2.0432.007.1	8	stud bolt m 8 p.1.25 / p.1 x 30
6	2.0432.009.1	1	stud bolt m 8 p.1.25 / p. 1 x 35
6	2.0432.022.1	1	stud bolt m 8 p 1.25-1x85
6	2.0432.026.1	2	stud bolt m 8 p.1.25 - 1.00 x 110
7	0.029.1418.0	6	sleeve
8	2.1569.061.0/10	3	gasket
9	2.0439.087.1	6	stud bolt
10	2.1599.144.7	12	shoulder ring 12.5x23x4
11	2.1019.025.7	10	special nut
12	2.1019.037.7	2	special nut
13	0.029.1450.0	3	gasket
14	0.039.1440.0	3	cap
15	2.1560.004.0	3	copper gasket 8.2 x 14
16	2.1099.056.1	3	special nut m8 p.1
17	0.034.1430.0	3	support
18	0.029.1452.0	3	tube
19	0.034.1450.0	3	tappet gasket
20	002.5937.3/30	3	rocker arm
21	2.1559.021.0/40	3	bushing 15x19x22
22	0.002.5936.3/40	3	rocker arm
23	2.1559.021.0/40	3	bushing 15x19x22
24	0.029.1431.0	3	pin
25	2.0512.102.1	3	screw m 6 p.1 x 8
26	2.1599.019.0	6	shoulder ring 19.5x31x2
27	2.1410.055.1	6	circlip 19
28	0.021.1434.0	6	screw
29	2.1011.405.2	6	nut m 8 p.1
30	0.039.1451.0	3	stud bolt
31	0.039.1421.0	3	exhaust valve Ø mm 9
32	0.039.1420.0	3	inlet valve
33	2.4019.193.0	6	spring 36.15x55.2x3.2
34	2.4019.194.0	6	spring 22.70x50.7x2.1
35	0.002.9215.0	6	cup

Section: ENGINE
CYLINDER HEAD

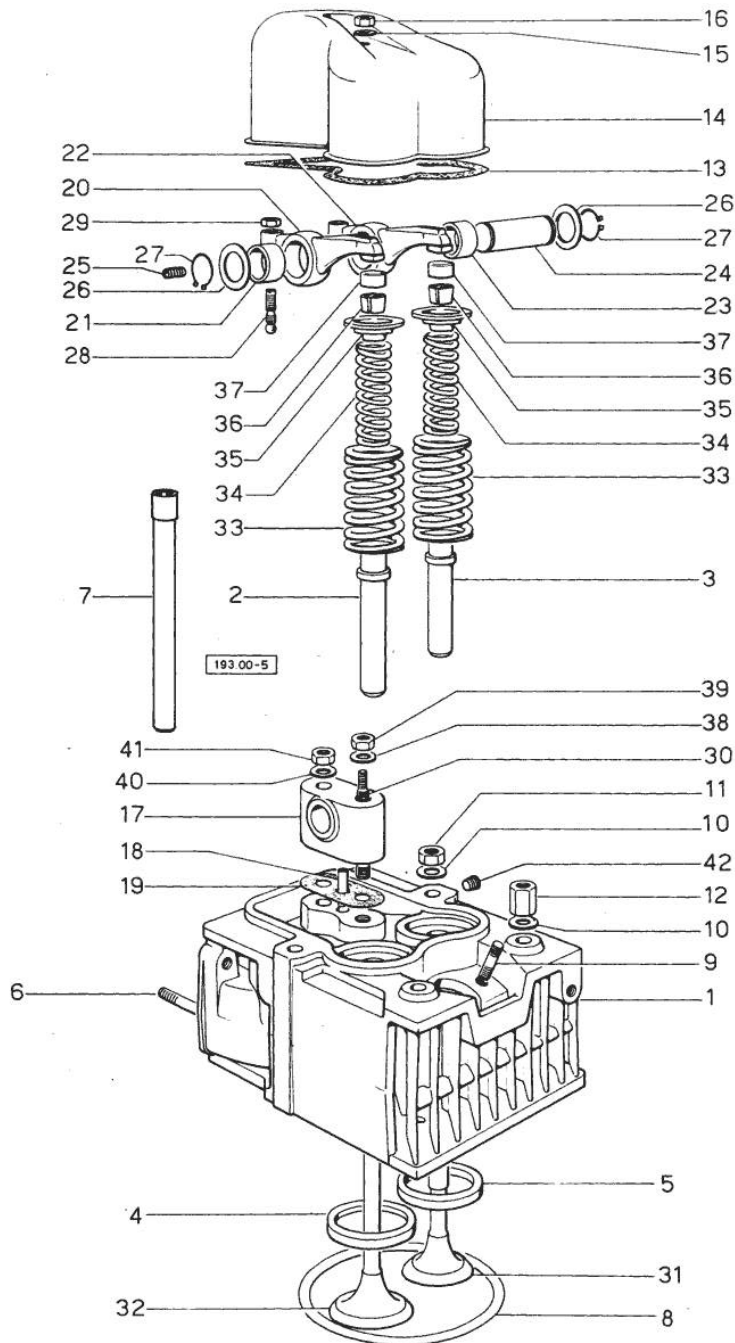
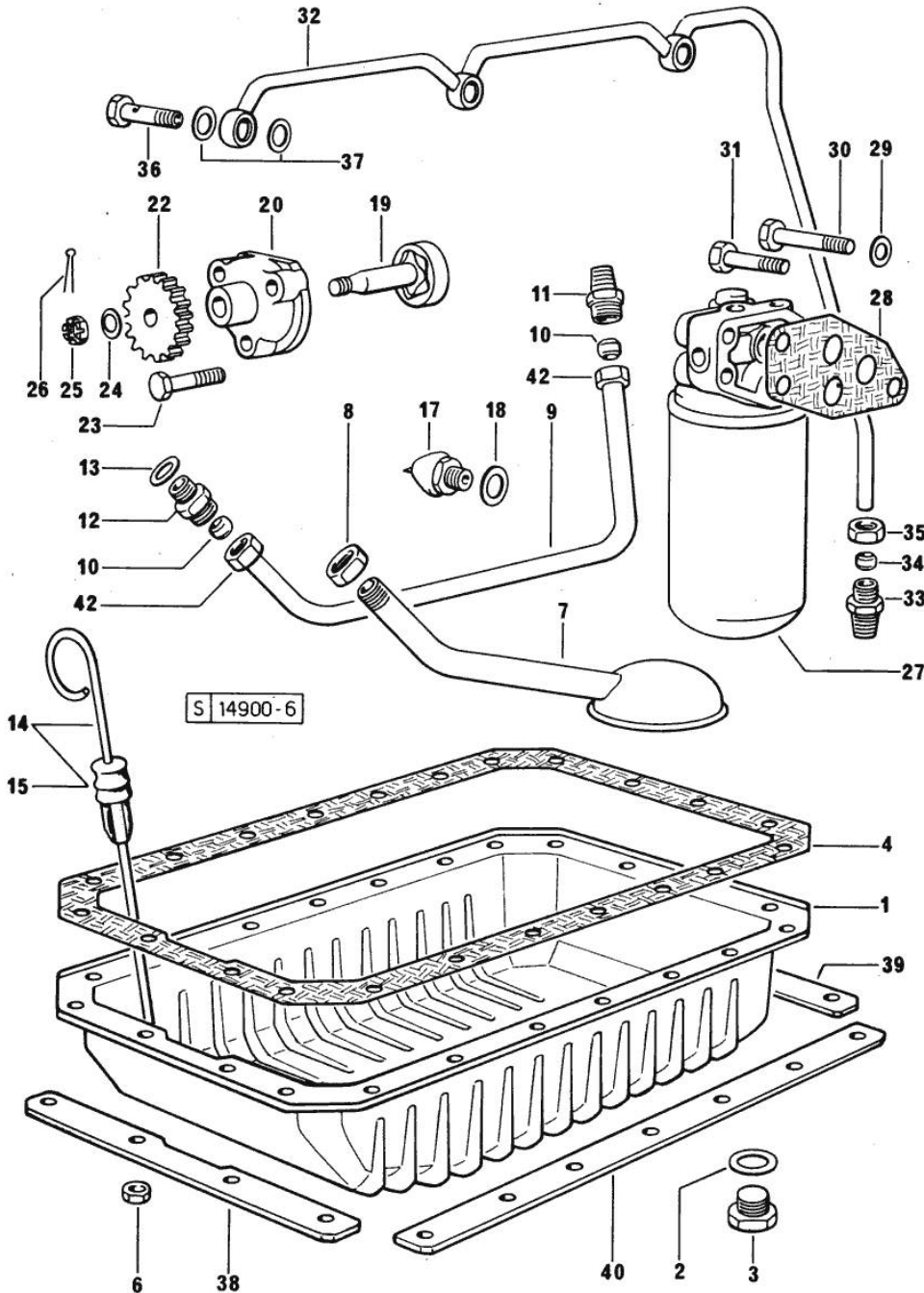


Fig.	P/n	QTY	Name
36	0.002.9193.0	6	conical valve cotter
37	0.021.1453.0/20	6	small cover
38	2.1310.006.2	3	flat washer 10.5x21
39	2.1011.421.2	3	nut m 10 p.1.25
40	2.1599.160.7	3	flat washer
41	2.1099.035.7	3	special nut
42	2.3130.001.1	3	plug 1/8" gas

Section: ENGINE
LUBRICATION



Notes:

[MINTAURO 60 FRUTTETO -> 41395]

Fig.	P/n	QTY	Name
1	0.029.1510.2	1	old part number 2WD
1	0.029.1552.2	1	old part number 4WD
2	2.1560.054.0	1	gasket 21 x 26
3	2.3199.001.2	1	plug 1/2" gas
4	0.029.1512.2	1	gasket
6	2.1011.405.2	24	nut m 8 p.1
7	0.029.1531.3	1	tube
8	2.1099.026.1	1	special nut
9	0.029.1534.0	1	tube
10	2.3359.004.2	2	ring
11	2.3319.014.1	1	pipe union
12	2.3319.013.1	1	pipe union
13	2.1560.013.0	1	gasket 18.2x22
14	0.038.1513.3	1	dipstick
15	0.034.1551.0	1	gasket
17	2.7099.040.0/10	1	pressure switch
18	2.1560.008.0	1	gasket 12.2 x 18
19	0.029.1522.3/10	1	shaft
20	0.029.1520.0	1	pump casing
22	0.029.1521.0/10	1	gear
23	2.0112.215.2	3	screw m 8 p.1.25 x 40
24	2.1310.006.2	1	flat washer 10.5x21
25	2.1021.321.1	1	castellated nut
26	2.1690.210.0	1	split pin A2x25
27	2.4419.130.0/10	1	oil filter 01.00.6
28	0.037.1552.0/10	1	gasket
29	2.1474.010.1	3	spring washer 10
30	2.0112.320.2	2	screw m 10 p.1.5 x 55
31	2.0112.315.2	1	screw m 10 p.1.5 x 40
32	0.038.1536.3/10	1	tube
33	2.3319.002.1	1	pipe fitting
34	2.3350.002.1	1	nosepiece 6, d128
35	2.3360.002.1	1	union nut m 10
36	2.3339.001.0	3	pipe fitting m 10 p.1
37	2.1560.006.0	6	gasket 10.2 x 16
38	0.053.1550.0/10	1	small plate
39	0.053.1551.0	1	small plate
40	0.035.1551.0	2	small plate

Section: ENGINE
LUBRICATION

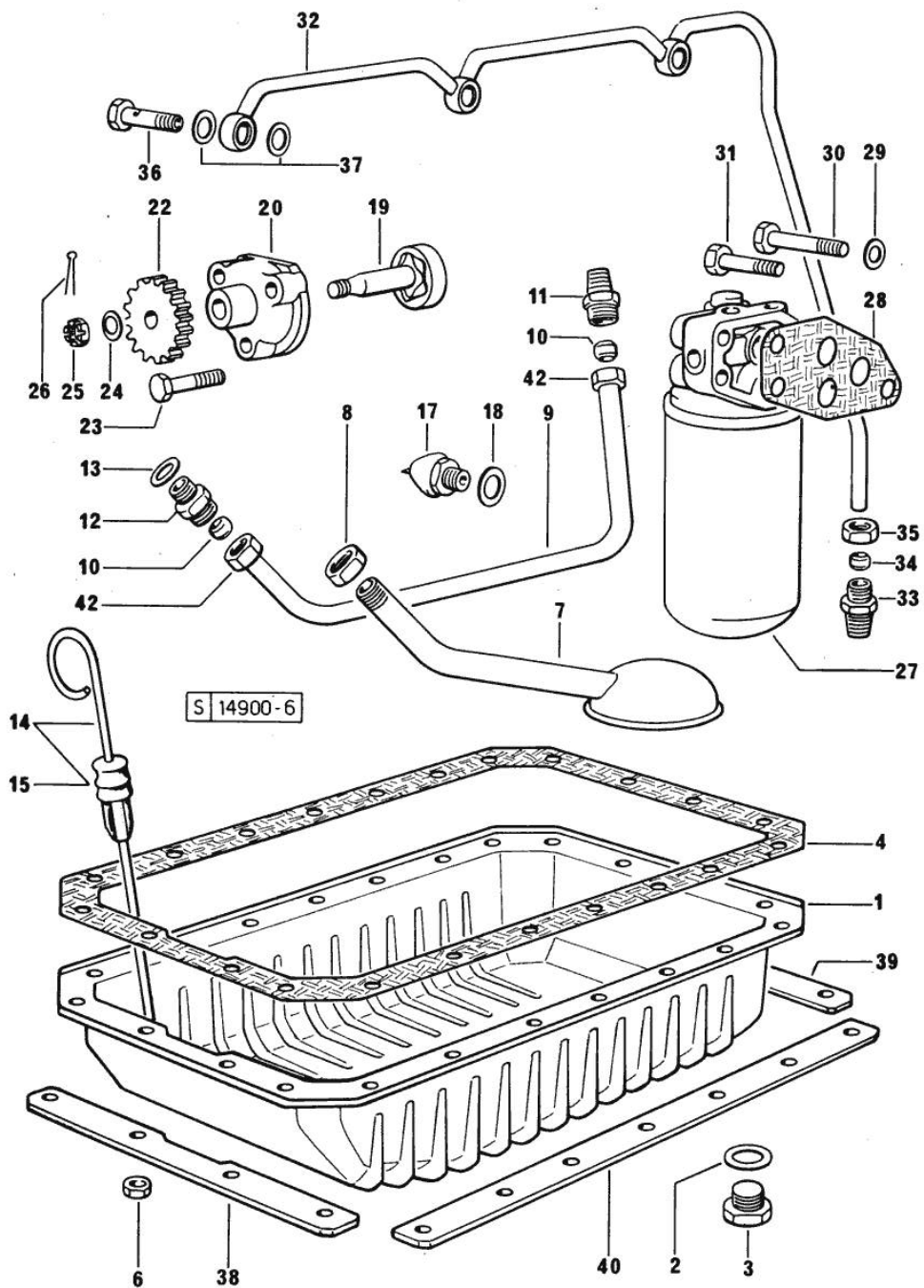


Fig.	P/n	QTY	Name
42	2.3369.009.1	2	union nut

DETAILS OF OIL FILTER

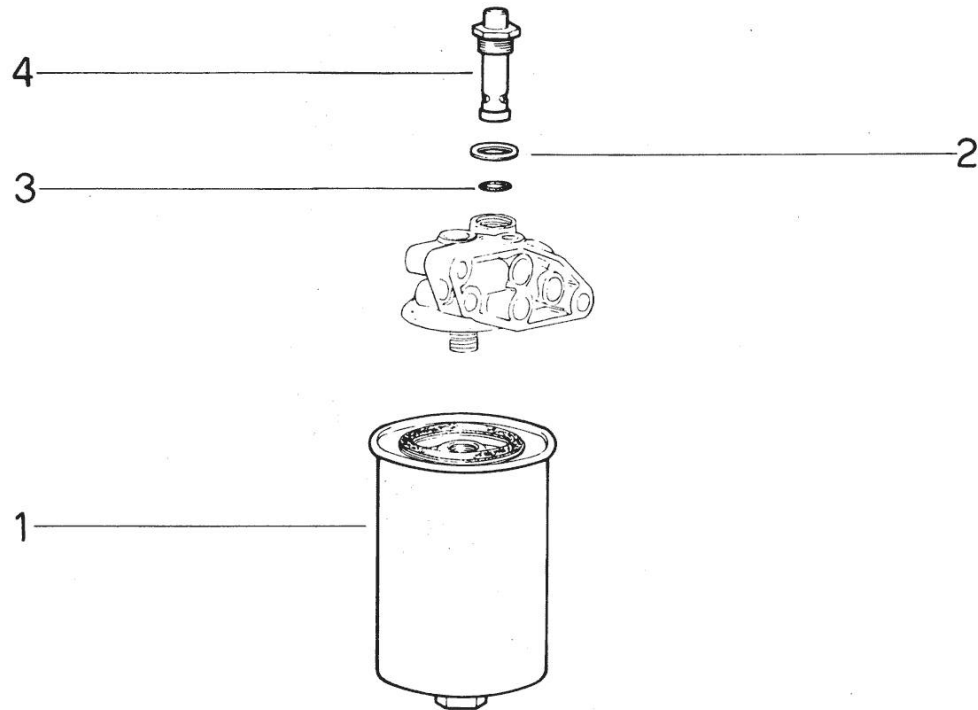


Fig.	P/n	QTY	Name
------	-----	-----	------

Notes:

[MINITAURO 60 FRUTTETO -> 41395]

1	2.4419.150.1	1	oil filter element
2	2.4419.130.3	1	gasket
3	2.1530.045.0	1	oil seal 17.86x2.62
4	2.4419.130.2	1	valve

Thank you so much for reading.
Please click the “Buy Now!”
button below to download the
complete manual.



After you pay.

You can download the most
perfect and complete manual in
the world immediately.

Our support email:

ebooklibonline@outlook.com