

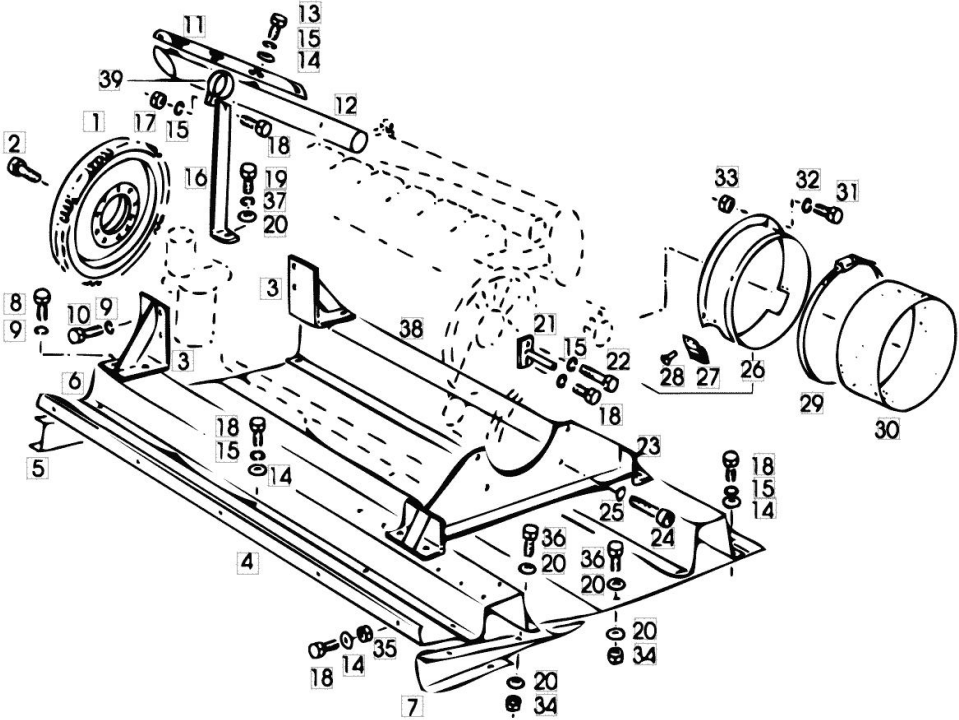
ENGINE ASSEMBLY PARTS F 6L 912

| Fig. | P/n | QTY | Name |
|------|-----|-----|------|
|------|-----|-----|------|

Notes:
 MOTOR F 6 L 912 86 KW / 116 PS ----- [POWERLINER 4030]

| | | | |
|------|----------|----|-----------------------|
| 1 | 06529983 | 1 | flywheel |
| 2 | 01104847 | 10 | screw |
| 3 | 06278905 | 2 | support |
| 4 | 06529969 | 1 | plate |
| 5 | 06529966 | 1 | plate sx/lh/li |
| 6 | 06529976 | 1 | profile |
| 7 | 06529967 | 1 | plate sx/lh/li |
| 8 | 01112515 | 8 | screw m 12 x 25 |
| 9 | 01102801 | 12 | washer 12 |
| 10 | 01112547 | 3 | screw m 12 x 40, d933 |
| 10.1 | 01112554 | 1 | screw m 12 x 45 |
| 11 | 06545014 | 1 | plate |
| 12 | 06545179 | 1 | exhaust pipe |
| 13 | 01112299 | 2 | screw m 8 x 12, d933 |
| 14 | 01107163 | | washer 9, d126 |
| 15 | 01102799 | 13 | washer 8, d128 |
| 16 | 06539397 | 1 | carrier |
| 17 | 01112824 | 1 | nut m 8, d934 |
| 18 | 01112322 | 15 | screw m 8 p.l.25 x 20 |
| 19 | 01112407 | 5 | screw m 10 x 20, d933 |
| 20 | 01107165 | 1 | washer 10.5 |
| 21 | 06513291 | 1 | pin |
| 22 | 01111186 | 1 | screw m 8 x 75 |
| 23 | 06284941 | 1 | bracket |
| 24 | 01126146 | 4 | screw |
| 25 | 01102802 | 4 | washer 14.2 |
| 26 | 06300827 | 1 | ring |
| 27 | 06259813 | 4 | brush |
| 28 | 01139178 | 8 | rivet |
| 29 | 06216475 | 2 | bracket 280-310/12 |
| 30 | 06539396 | 1 | screw |
| 31 | 01112264 | 4 | screw m 6 x 20, d933 |
| 32 | 01102797 | 4 | washer 6, d128 |
| 33 | 01112813 | 4 | nut m 6 |
| 34 | 06209768 | 10 | nut m 10, d985 |
| 35 | 01104944 | 5 | nut m 8, d985 |
| 36 | 01112418 | 10 | screw m 10 x 25, d933 |
| 37 | 01102800 | | washer 10.2 |
| 38 | 06529972 | 1 | chassis frame |
| 39 | 01120892 | 1 | fascia 70,5 d71555 |

+ 0145

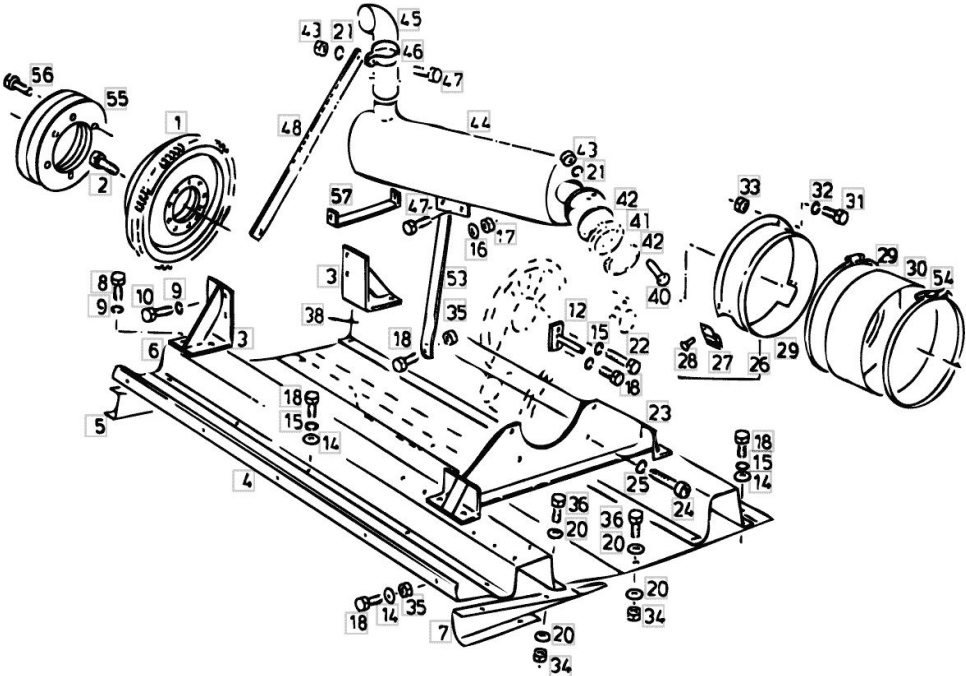


Section: ENGINE

ENGINE ASSEMBLY PARTS BF 6L 913

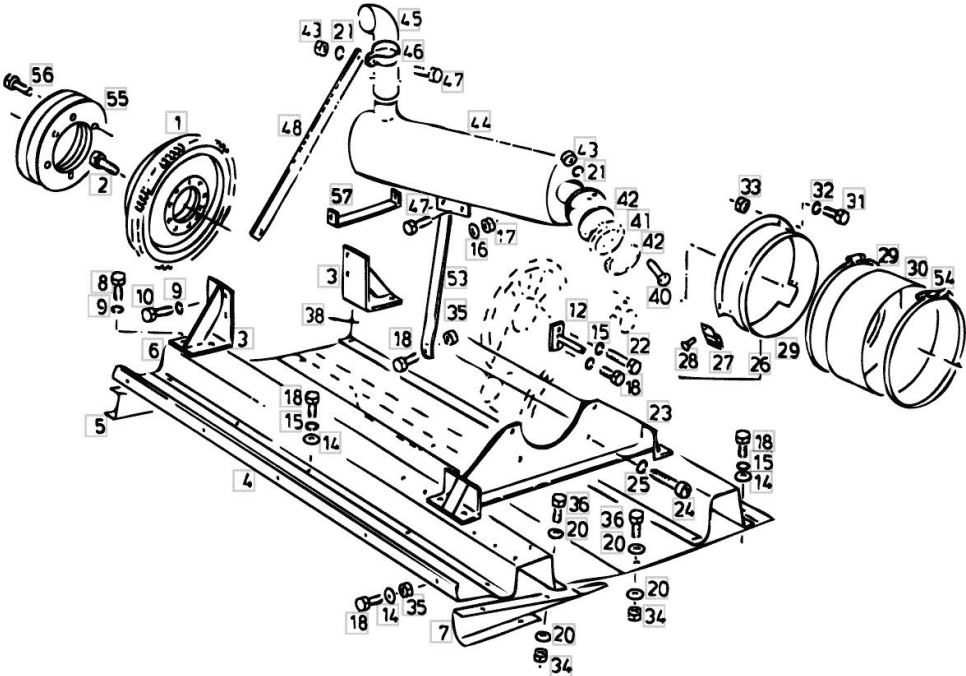
| Fig. | P/n | QTY | Name |
|------|-----|-----|------|
|------|-----|-----|------|

Notes:
 TYP 5613 99 KW / 135 PS ----- TYP 5614 110 KW / 150 PS
 ----- [POWERLINER 4030]



| | | | |
|------|----------|----|-----------------------|
| 1 | 06547112 | 1 | flywheel TYP 5613 |
| 1.1 | 16033850 | 1 | flywheel TYP 5614 |
| 2 | 01104847 | 10 | screw |
| 3 | 06278905 | 2 | support |
| 4 | 06529969 | 1 | plate |
| 5 | 06529966 | 1 | plate sx/lh/li |
| 6 | 06529976 | 1 | profile |
| 7 | 06529967 | 1 | plate sx/lh/li |
| 8 | 01112515 | 8 | screw m 12 x 25 |
| 9 | 01102801 | 12 | washer 12 |
| 10 | 01112547 | 3 | screw m 12 x 40, d933 |
| 10.1 | 01112554 | 1 | screw m 12 x 45 |
| 12 | 06513291 | 1 | pin |
| 16 | 01107165 | | washer 10.5 |
| 17 | 06209768 | | nut m 10, d985 |
| 18 | 01112322 | 15 | screw m 8 p.1.25 x 20 |
| 21 | 01102800 | | washer 10.2 |
| 22 | 01111186 | 1 | screw m 8 x 75 |
| 23 | 06284941 | 1 | bracket |
| 24 | 01126146 | 4 | screw |
| 25 | 01102802 | 4 | washer 14.2 |
| 26 | 06300827 | 1 | ring |
| 27 | 06259813 | 4 | brush |
| 28 | 01139178 | 8 | rivet |
| 29 | 06216475 | 1 | bracket 280-310/12 |
| 30 | 06539396 | 1 | screw |
| 31 | 01112264 | 4 | screw m 6 x 20, d933 |
| 32 | 01102797 | 4 | washer 6, d128 |
| 33 | 01112813 | 4 | nut m 6 |
| 34 | 06209768 | 10 | nut m 10, d985 |
| 35 | 01104944 | 5 | nut m 8, d985 |
| 36 | 01112418 | 10 | screw m 10 x 25, d933 |
| 38 | 06529972 | 1 | chassis frame |
| 40 | 01112447 | 4 | screw m 10 x 40 |
| 41 | 02420249 | 1 | gasket |
| 42 | 04183515 | 2 | gasket |
| 43 | 01102659 | 5 | nut m 10, d934 |
| 44 | 16033944 | 1 | silencer |

ENGINE ASSEMBLY PARTS BF 6L 913

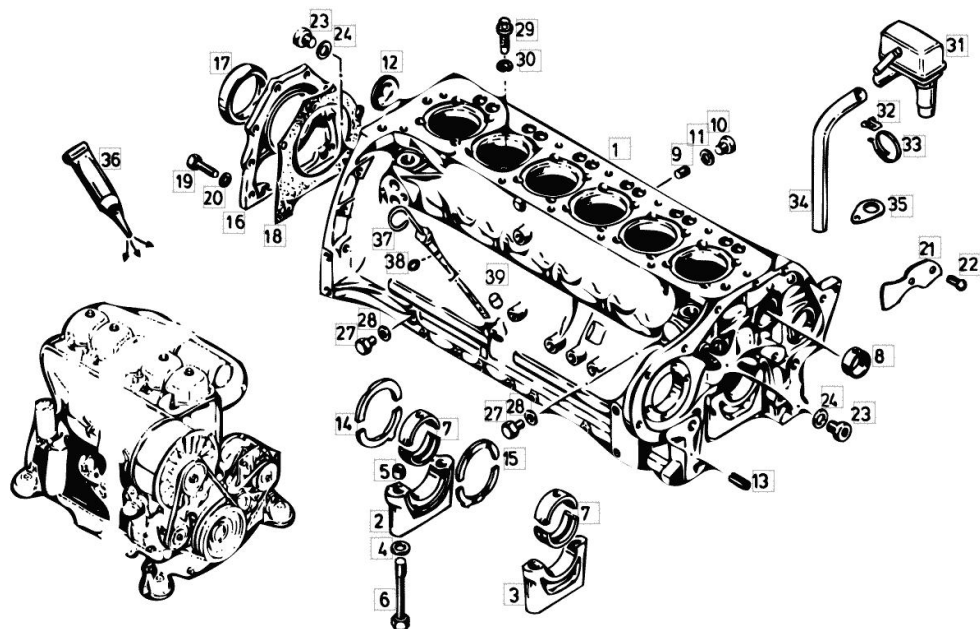


| Fig. | P/n | QTY | Name |
|-------|----------|-----|---|
| 45 | 16022130 | 1 | exhaust pipe TYP 5613 |
| 45.1 | 06547029 | 1 | exhaust pipe TYP 5614 |
| 46 | 01120895 | 1 | fascia Ø 75 |
| 47 | 01112418 | 1 | screw m 10 x 25, d933 |
| 48 | 16019208 | 1 | carrier TYP 5613 |
| 48.1 | 06547104 | 1 | carrier TYP 5614 TYP 5613 99 KW / 135 PS |
| ----- | | | |
| 53 | 16019209 | 1 | carrier TYP 5613 |
| 53.1 | 06283961 | 1 | brace TYP 5614 |
| 54 | 06216475 | 1 | bracket 280-310/12 TYP 5613 |
| 54.1 | 01141628 | 1 | fascia 325 d TYP 5614 |
| 55 | 16029000 | 1 | pulley d=245 W STRAW CHOPPER |
| 56 | 01100114 | 6 | screw W |
| 57 | 06538649 | 1 | brace TYP 5614 |

Section: ENGINE

ENGINE CRANKCASE F 6L 912

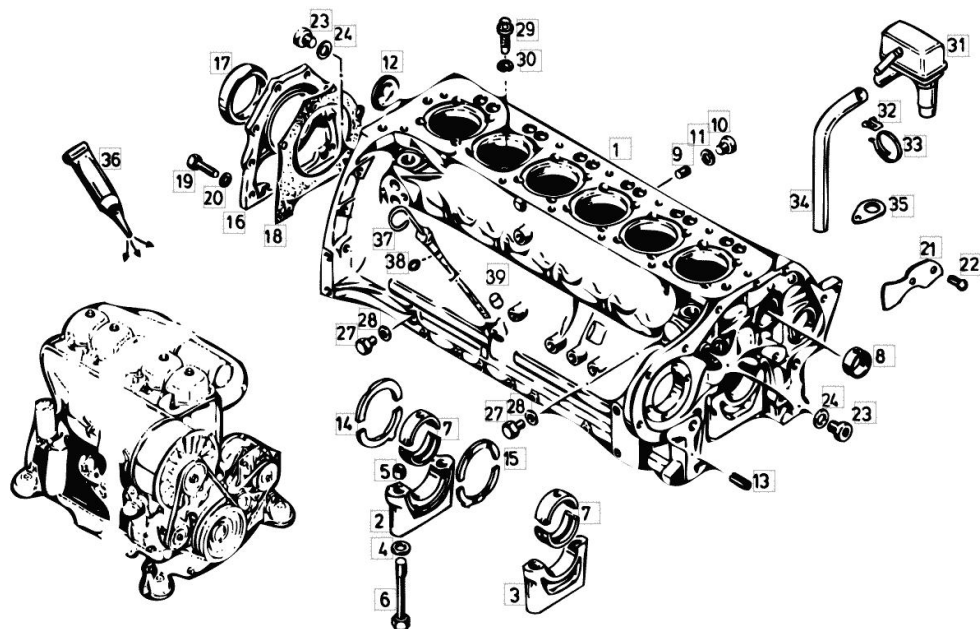
| Fig. | P/n | QTY | Name |
|-------------------|----------|-----|------------------|
| Notes: | | | |
| [POWERLINER 4030] | | | |
| 1 | 04156225 | 1 | crankcase |
| 2 | 04156229 | 1 | cover |
| 3 | 04156227 | 6 | cover |
| 4 | 01216107 | 14 | washer 15x23x1,5 |
| 5 | 04160764 | 14 | bushing |
| 6 | 04156058 | 14 | screw |
| 7 | 03362379 | 7 | bearing |
| | | | D 70,00 MM |
| 7.1 | 03362380 | | bearing |
| | | | D 69,75 MM |
| 7.2 | 03362381 | | bearing |
| | | | D 69,50 MM |
| 7.3 | 03362382 | | bearing |
| | | | D 69,25 MM |
| 7.4 | 03362383 | | bearing |
| | | | D 69,00 MM |
| 7.5 | 03362384 | | bearing |
| | | | D 68,75 MM |
| 7.6 | 03362385 | | bearing |
| | | | D 68,50 MM |
| 7.7 | 02233347 | | bearing |
| | | | D 69,75/75,50 MM |
| 8 | 02139737 | 1 | bushing |
| 9 | 01215235 | 7 | plug |
| 10 | 01110422 | 6 | screw |
| 11 | 01118673 | 7 | oil seal |
| 12 | 01216240 | 1 | disc |
| 13 | 01167266 | 2 | bush |
| 14 | 02230181 | 1 | shim |
| | | | 3,00 MM |
| 14.1 | 02230182 | | shim |
| | | | 3,25 MM |
| 14.2 | 02230183 | | shim |
| | | | 3,50 MM |
| 14.3 | 02230184 | | shim |
| | | | 3,75 MM |
| 14.4 | 02230185 | | shim |
| | | | 4,00 MM |
| 15 | 02230170 | 1 | shim |
| | | | 3,00 MM |
| 15.1 | 02230172 | | shim |



Section: ENGINE

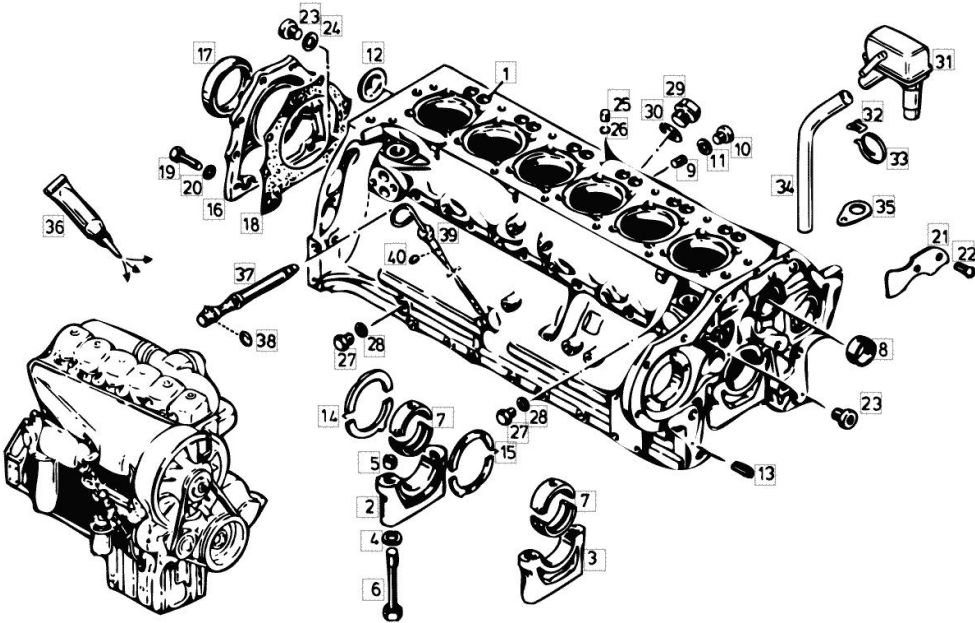
ENGINE CRANKCASE F 6L 912

| Fig. | P/n | QTY | Name |
|------|----------|-----|-------------------------|
| 15.2 | 02230173 | | 3,25 MM shim |
| 15.3 | 02230174 | | 3,50 MM shim |
| 15.4 | 02230175 | | 3,75 MM shim |
| 16 | 02234870 | 1 | 4,00 MM cover |
| 17 | 04152349 | 1 | oil seal |
| 18 | 03362337 | 1 | gasket |
| 19 | 01112322 | 8 | screw m 8 p.1.25 x 20 |
| 20 | 01107101 | 8 | washer 8.4 |
| 21 | 02231082 | 1 | plate |
| 22 | 01115333 | 2 | self tapping screw |
| 23 | 01214987 | 2 | screw |
| 24 | 01118727 | 2 | oil seal |
| 27 | 01118997 | 5 | screw cm10x1 |
| 28 | 01118659 | 5 | oil seal |
| 29 | 02239584 | 6 | nozzle |
| 30 | 01119611 | 6 | ring |
| 31 | 02139682 | 1 | box |
| 32 | 01166343 | 1 | clamp |
| 33 | 01166345 | 1 | band |
| 34 | 01400708 | 1 | flexible hose 19x27x450 |
| 35 | 02138266 | 1 | fan |
| 36 | 01016120 | | compound 1 kg |
| 37 | 01178319 | 1 | dipstick G 37,38 |
| 38 | 01174311 | 1 | oil seal |
| 39 | 01167269 | 1 | bush |



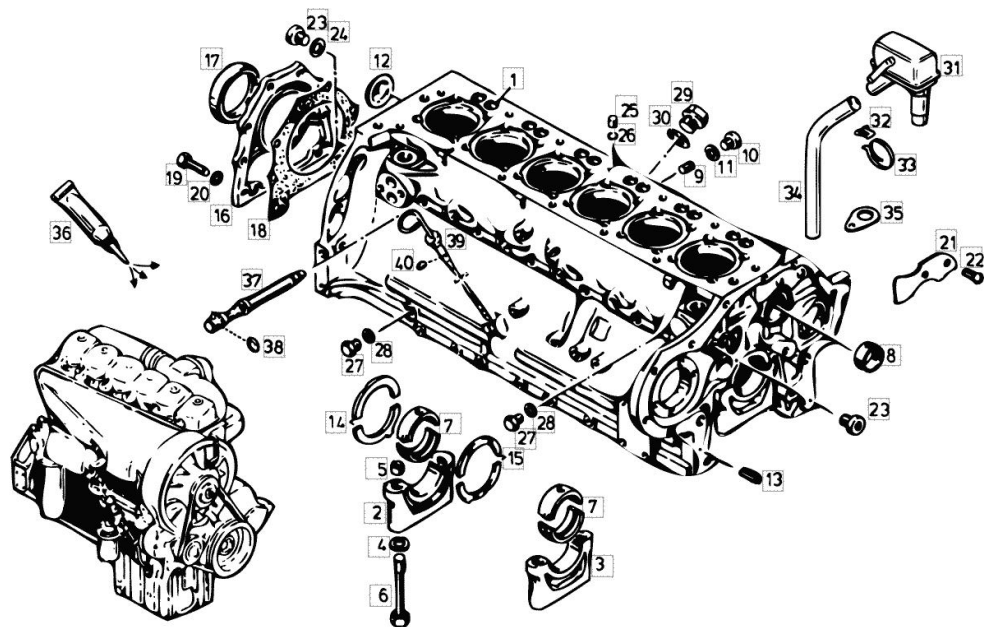
Section: ENGINE
ENGINE CRANKCASE BF 6L 913 T

| Fig. | P/n | QTY | Name |
|------------------------------------|----------|-----|---|
| Notes: [POWERLINER 4030] | | | |
| 1 | 04158919 | 1 | crankcase G 2-6,8-13,21-24, 27-30 |
| 2 | NL | | cannot be supplied |
| 3 | NL | | cannot be supplied |
| 4 | 01216107 | 14 | washer 15x23x1,5 |
| 5 | 04160764 | 14 | bushing |
| 6 | 04156058 | 14 | screw |
| 7 | 02235185 | 7 | bearing D 75,00 MM |
| 7.1 | 02235189 | | bearing D 74,75 MM |
| 7.2 | 02235192 | | bearing D 74,50 MM |
| 7.3 | 02235194 | | bearing D 74,25 MM |
| 7.4 | 02235196 | | bearing D 74,00 MM |
| 7.5 | 02235198 | | bearing D 73,75 MM |
| 7.6 | 02235200 | | bearing D 73,50 MM |
| 7.7 | 02235240 | | bearing D 74,75/79,50 MM |
| 8 | 02139737 | 1 | bushing |
| 9 | 01215235 | 7 | plug |
| 10 | 01110422 | 7 | screw |
| 11 | 01118673 | 7 | oil seal |
| 12 | 01216240 | 1 | disc |
| 13 | 01167266 | 2 | bush |
| 14 | 02230181 | 1 | shim 3,00 MM |
| 14.1 | 02230182 | | shim 3,25 MM |
| 14.2 | 02230183 | | shim 3,50 MM |
| 14.3 | 02230184 | | shim 3,75 MM |
| 14.4 | 02230185 | | shim 4,00 MM |
| 15 | 02230170 | 1 | shim |



Section: ENGINE

ENGINE CRANKCASE BF 6L 913 T

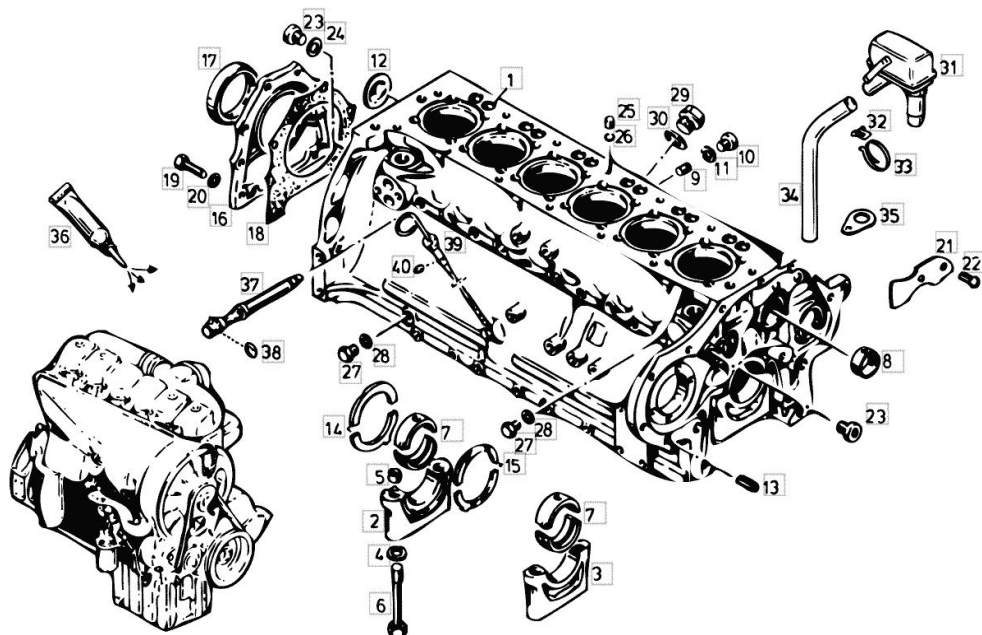


| Fig. | P/n | QTY | Name |
|------|----------|-----|-------------------------|
| 15.1 | 02230172 | | 3,00 MM shim |
| 15.2 | 02230173 | | 3,25 MM shim |
| 15.3 | 02230174 | | 3,50 MM shim |
| 15.4 | 02230175 | | 3,75 MM shim |
| | | | 4,00 MM |
| 16 | 02234870 | 1 | cover |
| 17 | 04230392 | 1 | special oil seal |
| 18 | 03362337 | 1 | gasket |
| 19 | 01112322 | 8 | screw m 8 p.1.25 x 20 |
| 20 | 01107101 | 8 | washer 8.4 |
| 21 | 02231082 | 1 | plate |
| 22 | 01115333 | 2 | self tapping screw |
| 23 | 04159934 | 2 | screw |
| 24 | 04159935 | 2 | oil seal |
| 25 | 01170580 | | plug |
| 26 | 01167010 | | washer |
| 27 | 01118997 | 5 | screw cm10x1 |
| 28 | 01118659 | 5 | oil seal |
| 29 | 01118985 | 1 | screw am26x1,5 d7604 |
| 30 | 01118760 | 1 | gasket 26x31 |
| 31 | 02238156 | 1 | breather |
| 32 | 01166343 | 1 | clamp |
| 33 | 01166345 | 1 | band |
| 34 | 01400708 | 1 | flexible hose 19x27x450 |
| 35 | 02138266 | 1 | fan |
| 36 | 01016120 | | compound 1 kg |
| 37 | 04231147 | 6 | injector assembly |
| 38 | 01173838 | 6 | oil seal |
| 39 | 01176369 | 1 | dipstick G 39,40 |
| 40 | 01174311 | 1 | oil seal |

Section: ENGINE

ENGINE CRANKCASE BF 6L 913

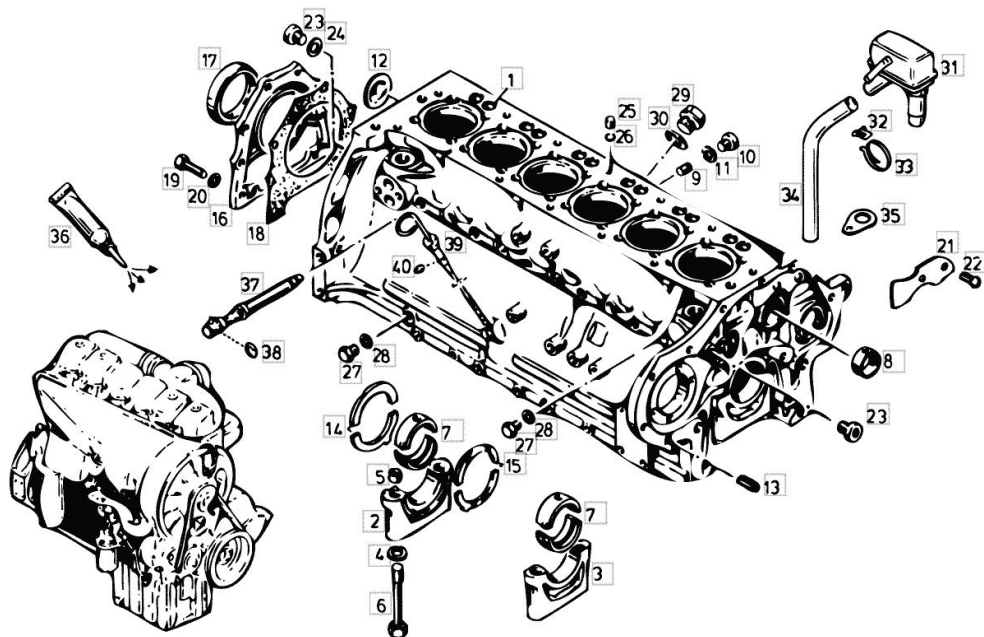
| Fig. | P/n | QTY | Name |
|-------------------|----------|-----|-------------------------------|
| Notes: | | | |
| [POWERLINER 4030] | | | |
| 1 | 04156259 | 1 | crankcase G 2-6,8-13,21-30 |
| 2 | 02138188 | 1 | cover |
| 3 | 02138189 | 6 | cover |
| 4 | 01216107 | 14 | washer 15x23x1,5 |
| 5 | 03362279 | 14 | bushing |
| 6 | 02233313 | 14 | screw |
| 7 | 02235185 | 7 | bearing D 75,00 MM |
| 7.1 | 02235189 | | bearing D 74,75 MM |
| 7.2 | 02235192 | | bearing D 74,50 MM |
| 7.3 | 02235194 | | bearing D 74,25 MM |
| 7.4 | 02235196 | | bearing D 74,00 MM |
| 7.5 | 02235198 | | bearing D 73,75 MM |
| 7.6 | 02235200 | | bearing D 73,50 MM |
| 7.7 | 02235240 | | bearing D 74,75/79,50 MM |
| 8 | 02139737 | 1 | bushing |
| 9 | 01215235 | 7 | plug |
| 10 | 01110422 | 7 | screw |
| 11 | 01118673 | 7 | oil seal |
| 12 | 01216240 | 1 | disc |
| 13 | 01167266 | 2 | bush |
| 14 | 02230196 | 1 | shim 3,00 MM |
| 14.1 | 02230197 | | shim 3,25 MM |
| 14.2 | 02230198 | | shim 3,50 MM |
| 14.3 | 02230199 | | shim 3,75 MM |
| 14.4 | 02230200 | | shim 4,00 MM |
| 15 | 02230201 | 1 | shim 3,00 MM |



Section: ENGINE

ENGINE CRANKCASE BF 6L 913

| Fig. | P/n | QTY | Name |
|------|----------|-----|-----------------------|
| 15.1 | 02230202 | | shim 3,25 MM |
| 15.2 | 02230203 | | shim 3,50 MM |
| 15.3 | 02230204 | | shim 3,75 MM |
| 15.4 | 02230205 | | shim 4,00 MM |
| 16 | 02234870 | 1 | cover |
| 17 | 04230392 | 1 | special oil seal |
| 18 | 03362337 | 1 | gasket |
| 19 | 01112322 | 8 | screw m 8 p.1.25 x 20 |
| 20 | 01107101 | 8 | washer 8.4 |
| 21 | 02231082 | 1 | plate |
| 22 | 01115333 | 2 | self tapping screw |
| 23 | 01214987 | 2 | screw |
| 24 | 01118727 | 2 | oil seal |
| 25 | 01170580 | 5 | plug |
| 26 | 01167010 | 5 | washer |
| 27 | 01118997 | 5 | screw cm10x1 |
| 28 | 01118659 | 5 | oil seal |
| 29 | 01118986 | 1 | plug am26x1,5 d7604 |
| 30 | 01118760 | 1 | gasket 26x31 |
| 31 | 02139682 | 1 | box |
| 32 | 01166343 | 1 | clamp |
| 33 | 01166345 | 1 | band |
| 34 | NE | | plate |
| 35 | 02138266 | 1 | fan |
| 36 | 01016120 | | compound 1 kg |
| 37 | 04231147 | 6 | injector assembly |
| 38 | 01173838 | 6 | oil seal |
| 39 | 01176369 | 1 | dipstick G 39,40 |
| 40 | 01174311 | 1 | oil seal |

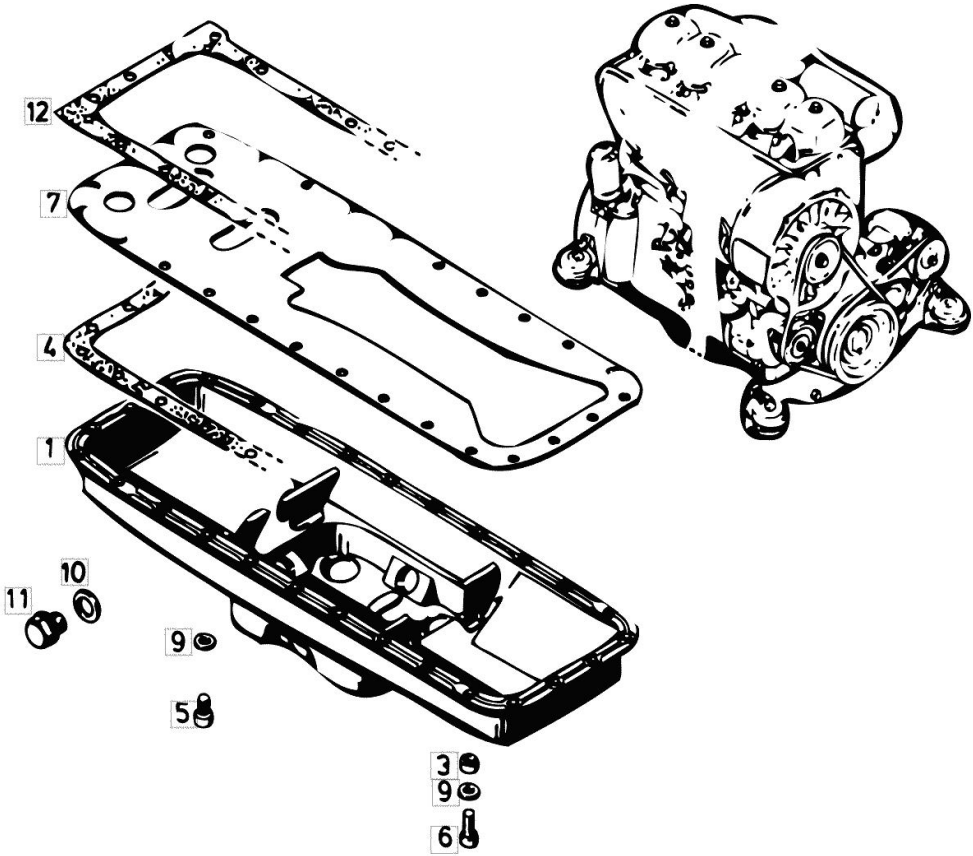


Section: ENGINE
ENGINE OIL PAN

| Fig. | P/n | QTY | Name |
|------|-----|-----|------|
|------|-----|-----|------|

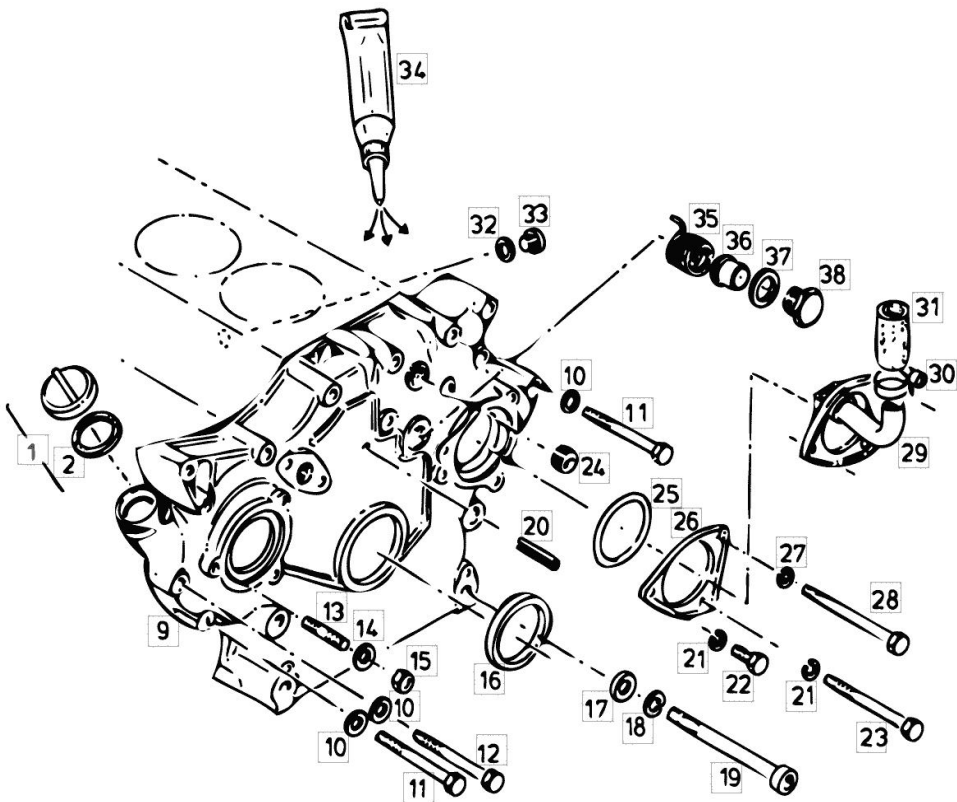
Notes:
[POWERLINER 4030]

| | | | |
|----|----------|----|----------------|
| 1 | 02234521 | 1 | oil sump |
| 3 | 01216151 | 1 | bushing |
| 4 | 04157240 | 1 | gasket |
| 5 | 01102193 | 26 | screw m 8 x 16 |
| 6 | 01110577 | 1 | screw m 8 x 25 |
| 7 | 04161492 | 1 | division |
| 9 | 01107548 | 27 | washer 8.4 |
| 10 | 01118783 | 1 | oil seal |
| 11 | 01118989 | 1 | plug |
| 12 | 03362581 | 1 | gasket |



Section: ENGINE
ENGINE FRONT COVER

| Fig. | P/n | QTY | Name |
|------------------------------------|----------|-----|--|
| Notes: [POWERLINER 4030] | | | |
| 1 | 01236291 | 1 | plug |
| 2 | 01216293 | 1 | oil seal |
| 9 | 04158421 | 1 | cover F 6L 912 |
| 9.1 | 04153259 | 1 | cover BF 6L 913 |
| 10 | 01107101 | 5 | washer 8.4 |
| 11 | 01111179 | 3 | screw m 8 x 70, d931 |
| 12 | 01127046 | 1 | screw m 8 x 60 |
| 13 | 01174193 | 2 | screw m 8 x 55 F 6L 912 |
| 13.1 | 01174191 | 1 | screw m 8 x 25 BF 6L 913 |
| 13.2 | 01174192 | 1 | screw BF 6L 913 |
| 14 | 01216108 | 2 | washer |
| 15 | 01112824 | 2 | nut m 8, d934 |
| 16 | 04154144 | 1 | special oil seal |
| 17 | 01107556 | 16 | washer |
| 18 | 01127679 | 4 | spring washer |
| 19 | 01102281 | 4 | screw m14x100 d912 |
| 20 | 01115460 | 1 | pin |
| 21 | 01102799 | 2 | washer 8, d128 |
| 22 | 01112295 | 1 | screw m 8 x 10 |
| 23 | 01122399 | 1 | screw |
| 24 | 01165788 | 1 | plug m 18 x 1,5 |
| 25 | 01166111 | 1 | oil seal |
| 26 | 04152404 | 1 | cover F 6L 912 |
| 27 | 01102800 | 1 | washer 10.2 |
| 28 | 01111336 | 1 | screw m 10 x 75 |
| 29 | 02233056 | 1 | cover BF 6L 913 /TYP 5614 |
| 30 | 01173962 | 2 | clamp Ø 20/32 BF 6L 913 /TYP 5614 |
| 31 | 01175630 | 1 | sleeve 22x29x71 BF 6L 913 /TYP 5614 |
| 32 | 01118673 | 1 | oil seal |
| 33 | 01110422 | 1 | screw |
| 34 | 01016120 | 1 | compound 1 kg |
| 35 | 02237638 | 1 | spring |



Thank you so much for reading.
Please click the “Buy Now!”
button below to download the
complete manual.



After you pay.

You can download the most
perfect and complete manual in
the world immediately.

Our support email:

ebooklibonline@outlook.com