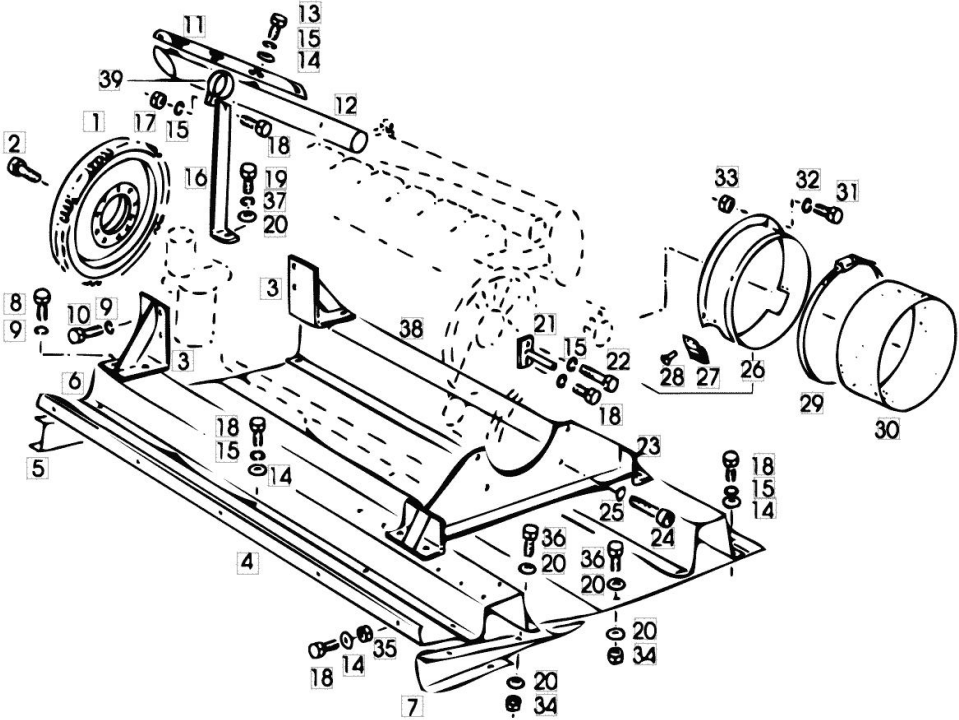


ENGINE ASSEMBLY PARTS F 6L 912

Fig.	P/n	QTY	Name
------	-----	-----	------

Notes:  
 MOTOR F 6 L 912 86 KW / 116 PS ----- [POWERLINER 4035]



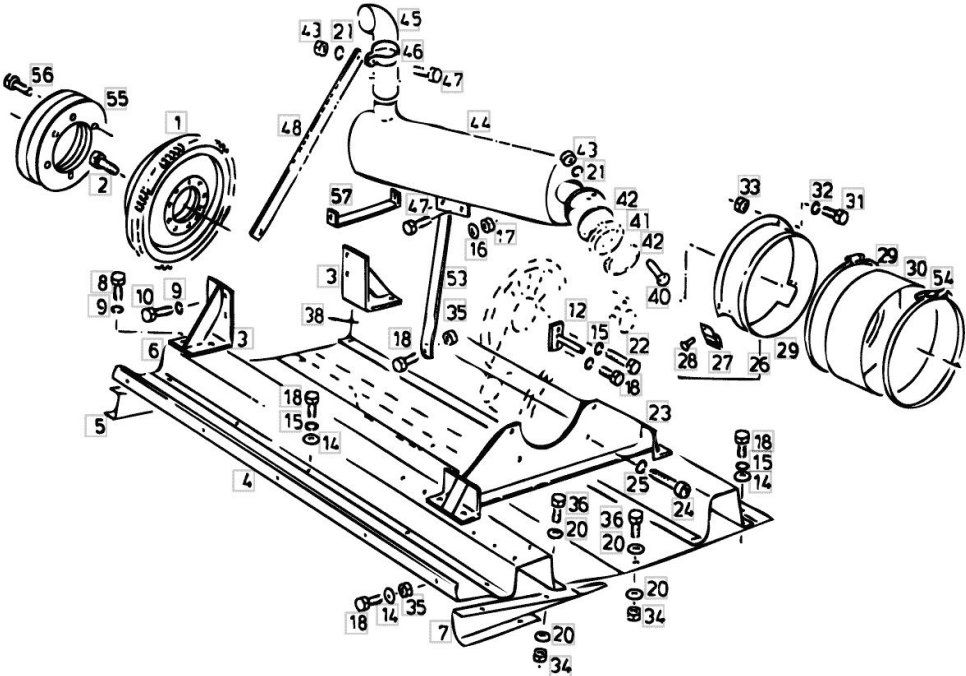
1	06529983	1	flywheel
2	01104847	10	screw
3	06278905	2	support
4	06529969	1	plate
5	06529966	1	plate sx/lh/li
6	06529976	1	profile
7	06529967	1	plate sx/lh/li
8	01112515	8	screw m 12 x 25
9	01102801	12	washer 12
10	01112547	3	screw m 12 x 40, d933
10.1	01112554	1	screw m 12 x 45
11	06545014	1	plate
12	06545179	1	exhaust pipe
13	01112299	2	screw m 8 x 12, d933
14	01107163		washer 9, d126
15	01102799	13	washer 8, d128
16	06539397	1	carrier
17	01112824	1	nut m 8, d934
18	01112322	15	screw m 8 p.1.25 x 20
19	01112407	5	screw m 10 x 20, d933
20	01107165	1	washer 10.5
21	06513291	1	pin
22	01111186	1	screw m 8 x 75
23	06284941	1	bracket
24	01126146	4	screw
25	01102802	4	washer 14.2
26	06300827	1	ring
27	06259813	4	brush
28	01139178	8	rivet
29	06216475	2	bracket 280-310/12
30	06539396	1	screw
31	01112264	4	screw m 6 x 20, d933
32	01102797	4	washer 6, d128
33	01112813	4	nut m 6
34	06209768	10	nut m 10, d985
35	01104944	5	nut m 8, d985
36	01112418	10	screw m 10 x 25, d933
37	01102800		washer 10.2
38	06529972	1	chassis frame
39	01120892	1	fascia 70,5 d71555

Section: ENGINE

ENGINE ASSEMBLY PARTS BF 6L 913

Fig.	P/n	QTY	Name
------	-----	-----	------

Notes:  
 TYP 5613 99 KW / 135 PS ----- TYP 5614 110 KW / 150 PS  
 ----- [POWERLINER 4035]



1	06547112	1	flywheel TYP 5613
1.1	16033850	1	flywheel TYP 5614
2	01104847	10	screw
3	06278905	2	support
4	06529969	1	plate
5	06529966	1	plate sx/lh/li
6	06529976	1	profile
7	06529967	1	plate sx/lh/li
8	01112515	8	screw m 12 x 25
9	01102801	12	washer 12
10	01112547	3	screw m 12 x 40, d933
10.1	01112554	1	screw m 12 x 45
12	06513291	1	pin
16	01107165		washer 10.5
17	06209768		nut m 10, d985
18	01112322	15	screw m 8 p.1.25 x 20
21	01102800		washer 10.2
22	01111186	1	screw m 8 x 75
23	06284941	1	bracket
24	01126146	4	screw
25	01102802	4	washer 14.2
26	06300827	1	ring
27	06259813	4	brush
28	01139178	8	rivet
29	06216475	1	bracket 280-310/12
30	06539396	1	screw
31	01112264	4	screw m 6 x 20, d933
32	01102797	4	washer 6, d128
33	01112813	4	nut m 6
34	06209768	10	nut m 10, d985
35	01104944	5	nut m 8, d985
36	01112418	10	screw m 10 x 25, d933
38	06529972	1	chassis frame
40	01112447	4	screw m 10 x 40
41	02420249	1	gasket
42	04183515	2	gasket
43	01102659	5	nut m 10, d934
44	16033944	1	silencer

**ENGINE ASSEMBLY PARTS BF 6L 913**

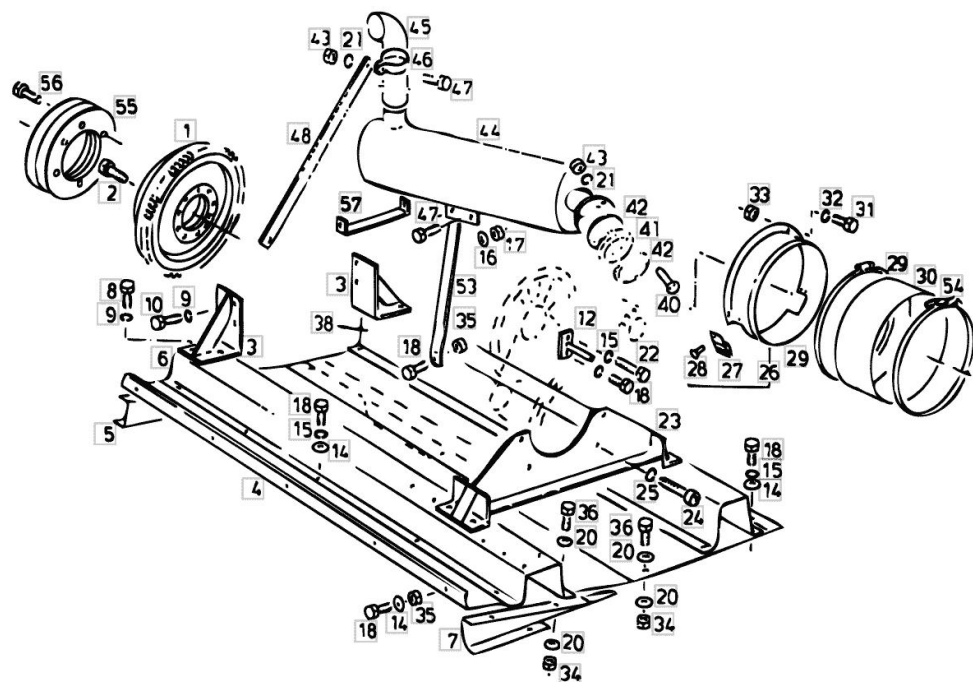
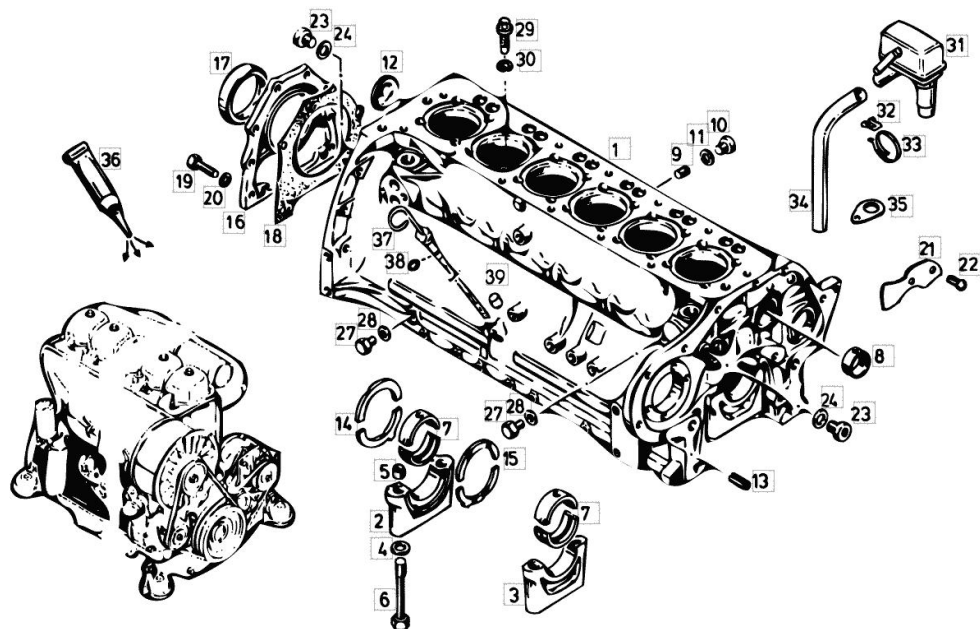


Fig.	P/n	QTY	Name
45	16022130	1	exhaust pipe TYP 5613
45.1	06547029	1	exhaust pipe TYP 5614
46	01120895	1	fascia Ø 75
47	01112418	1	screw m 10 x 25, d933
48	16019208	1	carrier TYP 5613
48.1	06547104	1	carrier TYP 5614 TYP 5613 99 KW / 135 PS
-----			
53	16019209	1	carrier TYP 5613
53.1	06283961	1	brace TYP 5614
54	06216475	1	bracket 280-310/12 TYP 5613
54.1	01141628	1	fascia 325 d TYP 5614
55	16029000	1	pulley d=245 W STRAW CHOPPER
56	01100114	6	screw W
57	06538649	1	brace TYP 5614

Section: ENGINE

## ENGINE CRANKCASE F 6L 912

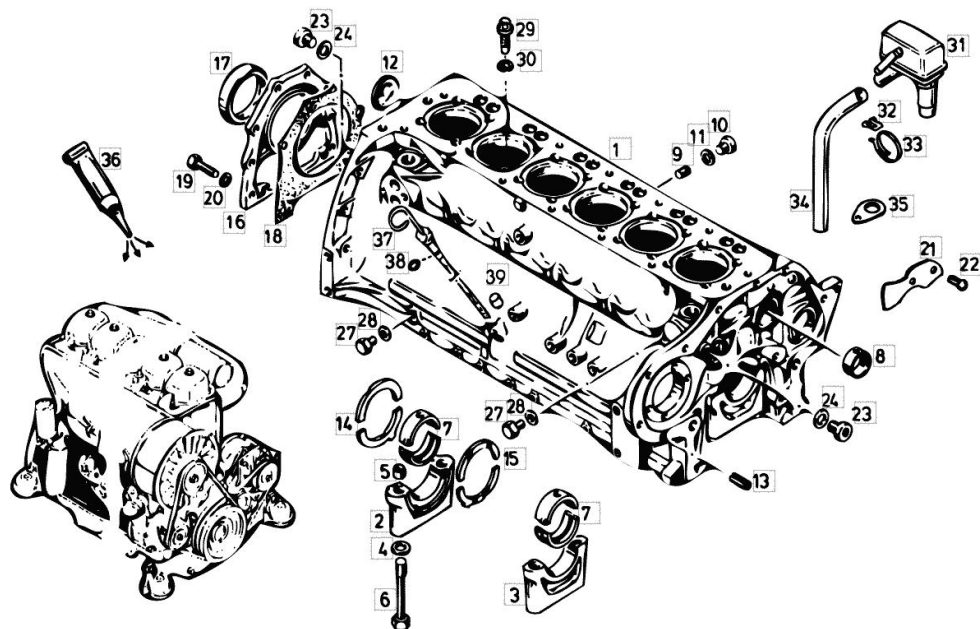
Fig.	P/n	QTY	Name
<b>Notes:</b>			
[POWERLINER 4035]			
1	04156225	1	crankcase
2	04156229	1	cover
3	04156227	6	cover
4	01216107	14	washer 15x23x1,5
5	04160764	14	bushing
6	04156058	14	screw
7	03362379	7	bearing
			D 70,00 MM
7.1	03362380		bearing
			D 69,75 MM
7.2	03362381		bearing
			D 69,50 MM
7.3	03362382		bearing
			D 69,25 MM
7.4	03362383		bearing
			D 69,00 MM
7.5	03362384		bearing
			D 68,75 MM
7.6	03362385		bearing
			D 68,50 MM
7.7	02233347		bearing
			D 69,75/75,50 MM
8	02139737	1	bushing
9	01215235	7	plug
10	01110422	6	screw
11	01118673	7	oil seal
12	01216240	1	disc
13	01167266	2	bush
14	02230181	1	shim
			3,00 MM
14.1	02230182		shim
			3,25 MM
14.2	02230183		shim
			3,50 MM
14.3	02230184		shim
			3,75 MM
14.4	02230185		shim
			4,00 MM
15	02230170	1	shim
			3,00 MM
15.1	02230172		shim



Section: ENGINE

## ENGINE CRANKCASE F 6L 912

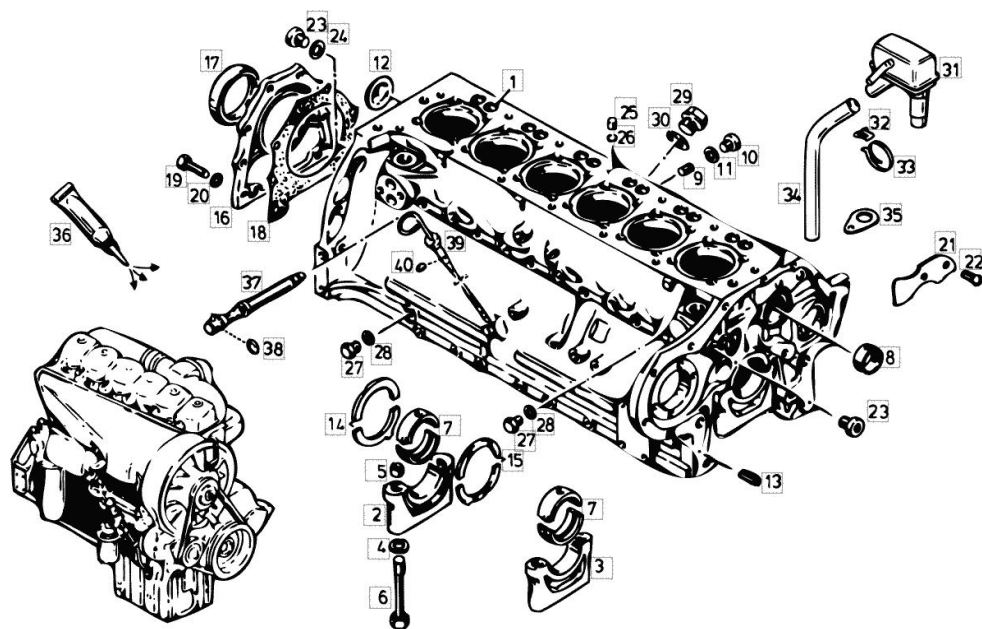
Fig.	P/n	QTY	Name
15.2	02230173		3,25 MM shim
15.3	02230174		3,50 MM shim
15.4	02230175		3,75 MM shim
16	02234870	1	4,00 MM cover
17	04152349	1	oil seal
18	03362337	1	gasket
19	01112322	8	screw m 8 p.1.25 x 20
20	01107101	8	washer 8.4
21	02231082	1	plate
22	01115333	2	self tapping screw
23	01214987	2	screw
24	01118727	2	oil seal
27	01118997	5	screw cm10x1
28	01118659	5	oil seal
29	02239584	6	nozzle
30	01119611	6	ring
31	02139682	1	box
32	01166343	1	clamp
33	01166345	1	band
34	01400708	1	flexible hose 19x27x450
35	02138266	1	fan
36	01016120		compound 1 kg
37	01178319	1	dipstick G 37,38
38	01174311	1	oil seal
39	01167269	1	bush



Section: ENGINE

**ENGINE CRANKCASE BF 6L 913 T**

Fig.	P/n	QTY	Name
<b>Notes:</b>			
[POWERLINER 4035]			
1	04158919	1	crankcase G 2-6,8-13,21-24, 27-30
2	NL		cannot be supplied
3	NL		cannot be supplied
4	01216107	14	washer 15x23x1,5
5	04160764	14	bushing
6	04156058	14	screw
7	02235185	7	bearing D 75,00 MM
7.1	02235189		bearing D 74,75 MM
7.2	02235192		bearing D 74,50 MM
7.3	02235194		bearing D 74,25 MM
7.4	02235196		bearing D 74,00 MM
7.5	02235198		bearing D 73,75 MM
7.6	02235200		bearing D 73,50 MM
7.7	02235240		bearing D 74,75/79,50 MM
8	02139737	1	bushing
9	01215235	7	plug
10	01110422	7	screw
11	01118673	7	oil seal
12	01216240	1	disc
13	01167266	2	bush
14	02230181	1	shim 3,00 MM
14.1	02230182		shim 3,25 MM
14.2	02230183		shim 3,50 MM
14.3	02230184		shim 3,75 MM
14.4	02230185		shim 4,00 MM
15	02230170	1	shim



Section: ENGINE

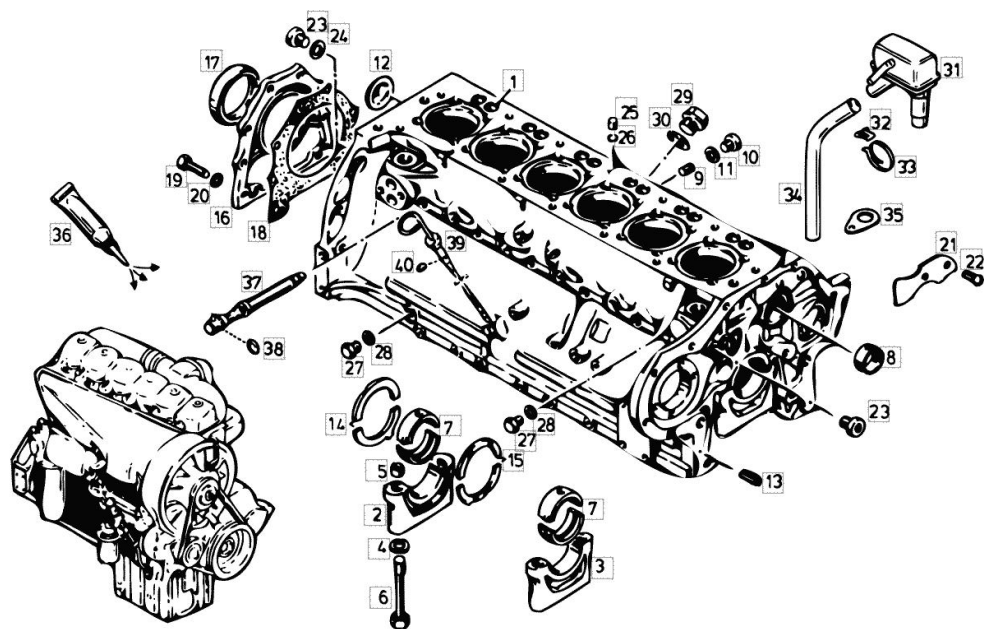
**ENGINE CRANKCASE BF 6L 913 T**

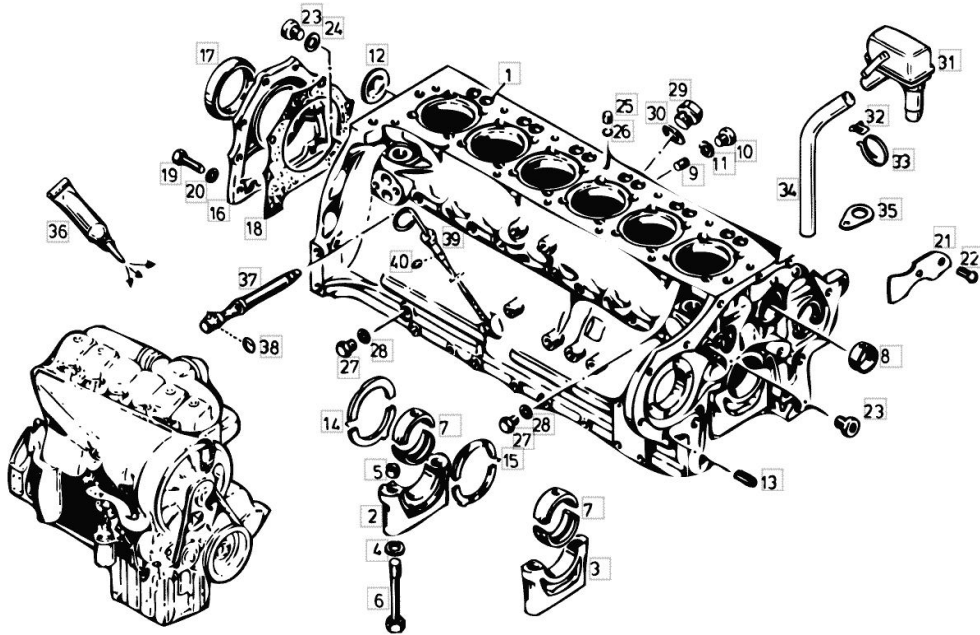
Fig.	P/n	QTY	Name
15.1	02230172		3,00 MM shim
15.2	02230173		3,25 MM shim
15.3	02230174		3,50 MM shim
15.4	02230175		3,75 MM shim
			4,00 MM
16	02234870	1	cover
17	04230392	1	special oil seal
18	03362337	1	gasket
19	01112322	8	screw m 8 p.1.25 x 20
20	01107101	8	washer 8.4
21	02231082	1	plate
22	01115333	2	self tapping screw
23	04159934	2	screw
24	04159935	2	oil seal
25	01170580		plug
26	01167010		washer
27	01118997	5	screw cm10x1
28	01118659	5	oil seal
29	01118985	1	screw am26x1,5 d7604
30	01118760	1	gasket 26x31
31	02238156	1	breather
32	01166343	1	clamp
33	01166345	1	band
34	01400708	1	flexible hose 19x27x450
35	02138266	1	fan
36	01016120		compound 1 kg
37	04231147	6	injector assembly
38	01173838	6	oil seal
39	01176369	1	dipstick G 39,40
40	01174311	1	oil seal

**ENGINE CRANKCASE BF 6L 913**

Fig.	P/n	QTY	Name
------	-----	-----	------

**Notes:**

[POWERLINER 4035]



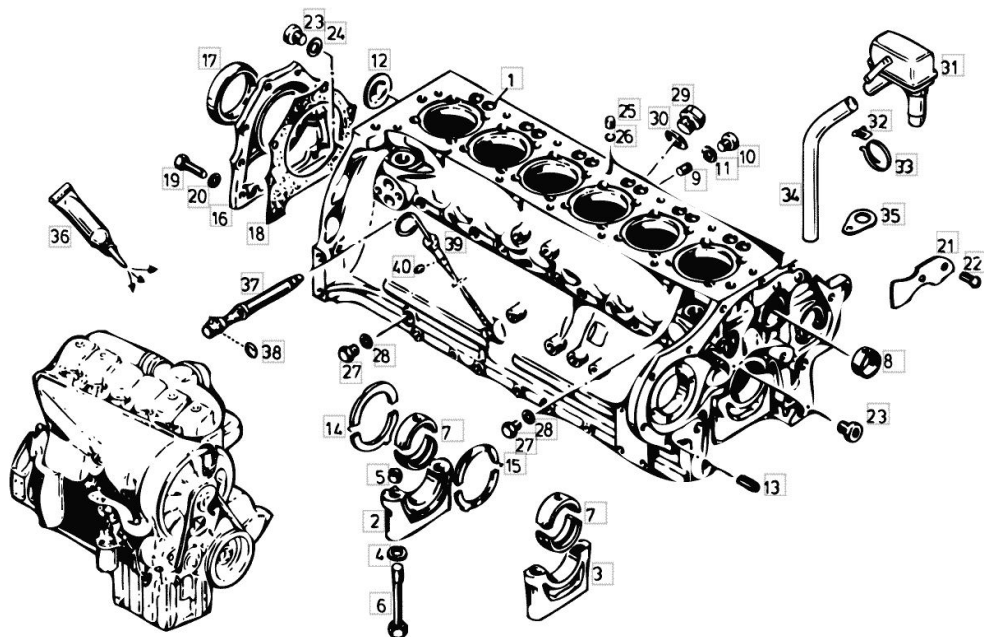
1	04156259	1	crankcase G 2-6,8-13,21-30
2	02138188	1	cover
3	02138189	6	cover
4	01216107	14	washer 15x23x1,5
5	03362279	14	bushing
6	02233313	14	screw
7	02235185	7	bearing D 75,00 MM
7.1	02235189		bearing D 74,75 MM
7.2	02235192		bearing D 74,50 MM
7.3	02235194		bearing D 74,25 MM
7.4	02235196		bearing D 74,00 MM
7.5	02235198		bearing D 73,75 MM
7.6	02235200		bearing D 73,50 MM
7.7	02235240		bearing D 74,75/79,50 MM
8	02139737	1	bushing
9	01215235	7	plug
10	01110422	7	screw
11	01118673	7	oil seal
12	01216240	1	disc
13	01167266	2	bush
14	02230196	1	shim 3,00 MM
14.1	02230197		shim 3,25 MM
14.2	02230198		shim 3,50 MM
14.3	02230199		shim 3,75 MM
14.4	02230200		shim 4,00 MM
15	02230201	1	shim 3,00 MM



Section: ENGINE

## ENGINE CRANKCASE BF 6L 913

Fig.	P/n	QTY	Name
15.1	02230202		shim 3,25 MM
15.2	02230203		shim 3,50 MM
15.3	02230204		shim 3,75 MM
15.4	02230205		shim 4,00 MM
16	02234870	1	cover
17	04230392	1	special oil seal
18	03362337	1	gasket
19	01112322	8	screw m 8 p.1.25 x 20
20	01107101	8	washer 8.4
21	02231082	1	plate
22	01115333	2	self tapping screw
23	01214987	2	screw
24	01118727	2	oil seal
25	01170580	5	plug
26	01167010	5	washer
27	01118997	5	screw cm10x1
28	01118659	5	oil seal
29	01118986	1	plug am26x1,5 d7604
30	01118760	1	gasket 26x31
31	02139682	1	box
32	01166343	1	clamp
33	01166345	1	band
34	NE		plate
35	02138266	1	fan
36	01016120		compound 1 kg
37	04231147	6	injector assembly
38	01173838	6	oil seal
39	01176369	1	dipstick G 39,40
40	01174311	1	oil seal

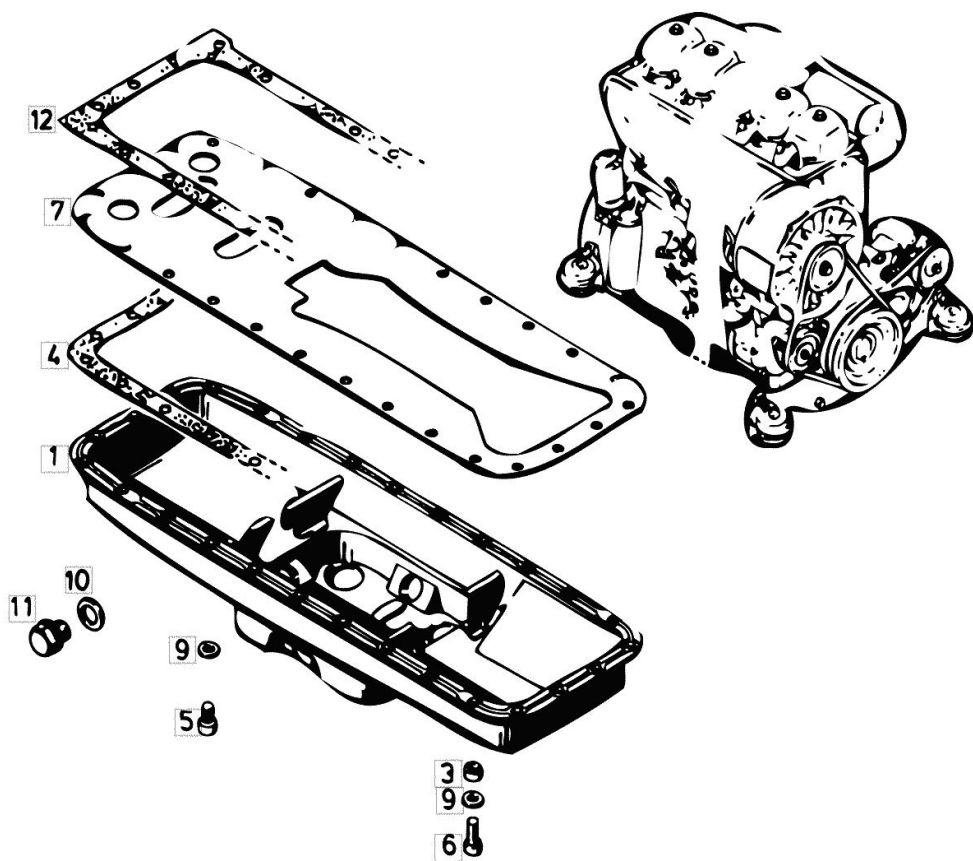


Section: ENGINE  
**ENGINE OIL PAN**

Fig.	P/n	QTY	Name
------	-----	-----	------

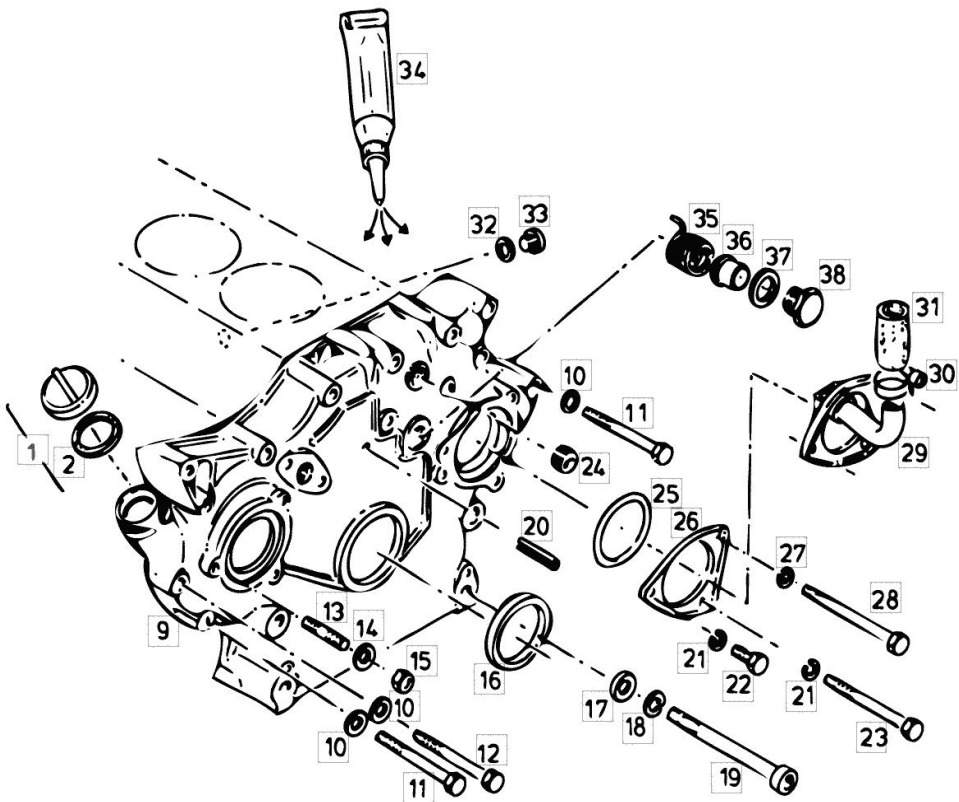
Notes:  
 [POWERLINER 4035]

1	02234521	1	oil sump
3	01216151	1	bushing
4	04157240	1	gasket
5	01102193	26	screw m 8 x 16
6	01110577	1	screw m 8 x 25
7	04161492	1	division
9	01107548	27	washer 8.4
10	01118783	1	oil seal
11	01118989	1	plug
12	03362581	1	gasket



Section: ENGINE  
ENGINE FRONT COVER

Fig.	P/n	QTY	Name
<b>Notes:</b> [POWERLINER 4035]			
1	01236291	1	plug
2	01216293	1	oil seal
9	04158421	1	cover F 6L 912
9.1	04153259	1	cover BF 6L 913
10	01107101	5	washer 8.4
11	01111179	3	screw m 8 x 70, d931
12	01127046	1	screw m 8 x 60
13	01174193	2	screw m 8 x 55 F 6L 912
13.1	01174191	1	screw m 8 x 25 BF 6L 913
13.2	01174192	1	screw BF 6L 913
14	01216108	2	washer
15	01112824	2	nut m 8, d934
16	04154144	1	special oil seal
17	01107556	16	washer
18	01127679	4	spring washer
19	01102281	4	screw m14x100 d912
20	01115460	1	pin
21	01102799	2	washer 8, d128
22	01112295	1	screw m 8 x 10
23	01122399	1	screw
24	01165788	1	plug m 18 x 1,5
25	01166111	1	oil seal
26	04152404	1	cover F 6L 912
27	01102800	1	washer 10.2
28	01111336	1	screw m 10 x 75
29	02233056	1	cover BF 6L 913 /TYP 5614
30	01173962	2	clamp Ø 20/32 BF 6L 913 /TYP 5614
31	01175630	1	sleeve 22x29x71 BF 6L 913 /TYP 5614
32	01118673	1	oil seal
33	01110422	1	screw
34	01016120	1	compound 1 kg
35	02237638	1	spring



Thank you so much for reading.  
Please click the “Buy Now!”  
button below to download the  
complete manual.



After you pay.

You can download the most  
perfect and complete manual in  
the world immediately.

Our support email:

[ebooklibonline@outlook.com](mailto:ebooklibonline@outlook.com)