

Section: ENGINE

CRANKCASE

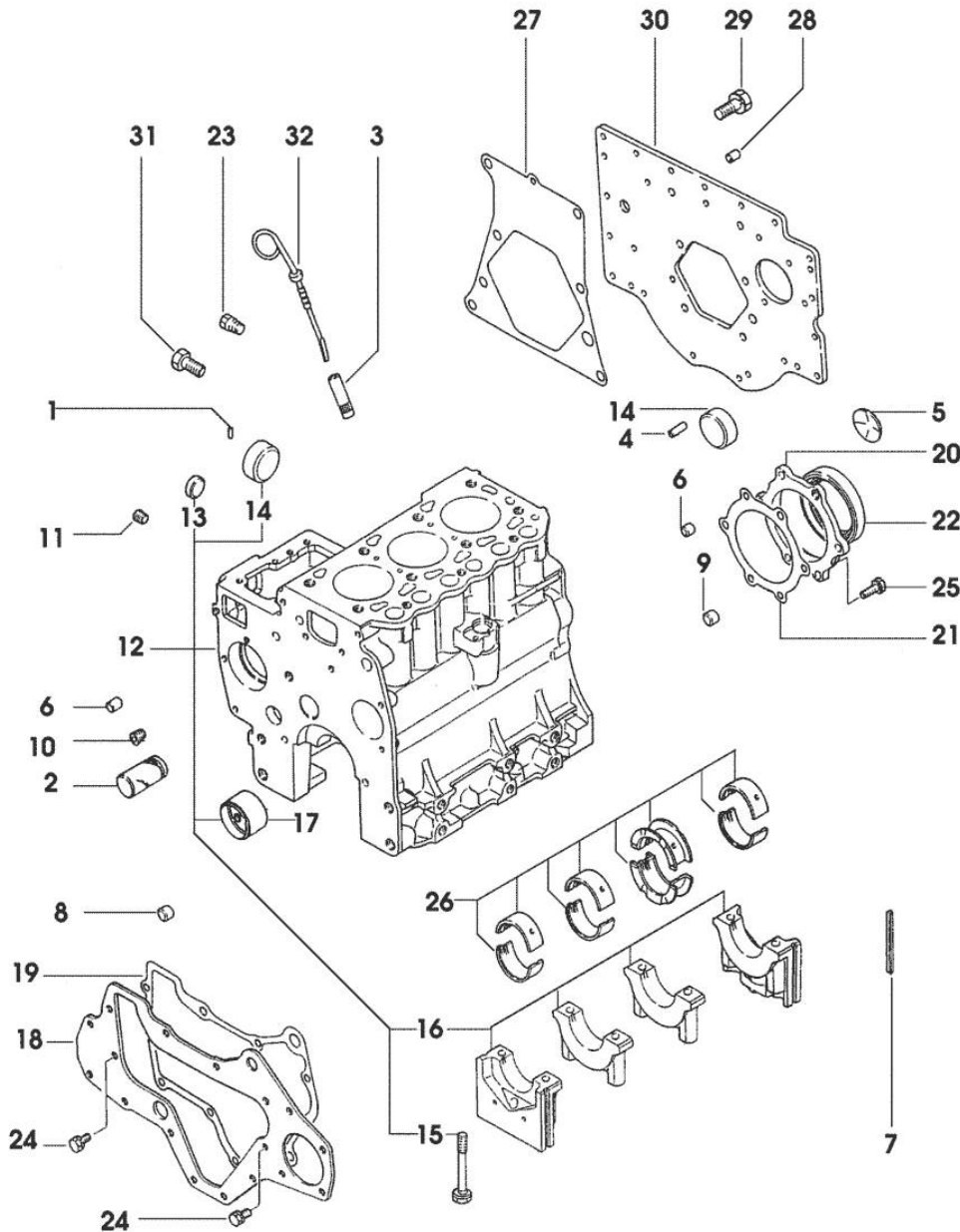


Fig.	P/n	QTY	Name
------	-----	-----	------

Notes:  
[PRINCE 325 XV]

1	0.009.4523.0	2	pin
2	0.009.4523.1	1	shaft
3	0.009.4523.2	1	guide
4	0.009.4524.0	1	pin
5	0.009.4524.1	1	expansion plug
6	0.009.4524.2	2	special bushing
7	0.009.4525.0	4	gasket
8	0.009.4525.1	2	special bushing
9	0.009.4525.2	1	special bushing
10	0.009.4526.0	1	plug
11	0.009.4526.1	2	plug
12	0.009.4755.4	1	crankcase
13	0.009.4527.0	2	plug
14	0.009.4527.1	3	plug
15	0.009.4527.2	8	screw
16	0.000.0000.1		cannot be supplied
17	0.009.4528.0	1	special bushing
18	0.009.4528.1	1	plate
19	0.009.4528.2	1	gasket
20	0.009.4529.0	1	flange
21	0.009.4529.1	1	gasket
22	0.009.4529.2	1	special oil seal
23	0.009.4530.0	1	plug
24	0.009.4530.1	3	screw
25	0.009.4530.2	6	screw
26	0.009.4754.0	1	main half bushing STANDARD
26	0.009.4754.1	1	main half bushing - mm 0.25
26	0.009.4754.2	1	main half bushing - mm 0.50
26	0.009.4754.3	1	main half bushing - mm 0.75
27	0.009.4532.1	1	gasket
28	0.009.4532.2	1	pin
29	0.009.4533.0	6	screw
30	0.008.6506.0/40	1	plate
31	0.009.4533.1	4	screw
32	0.009.4533.2	1	level indicator

531 - 1

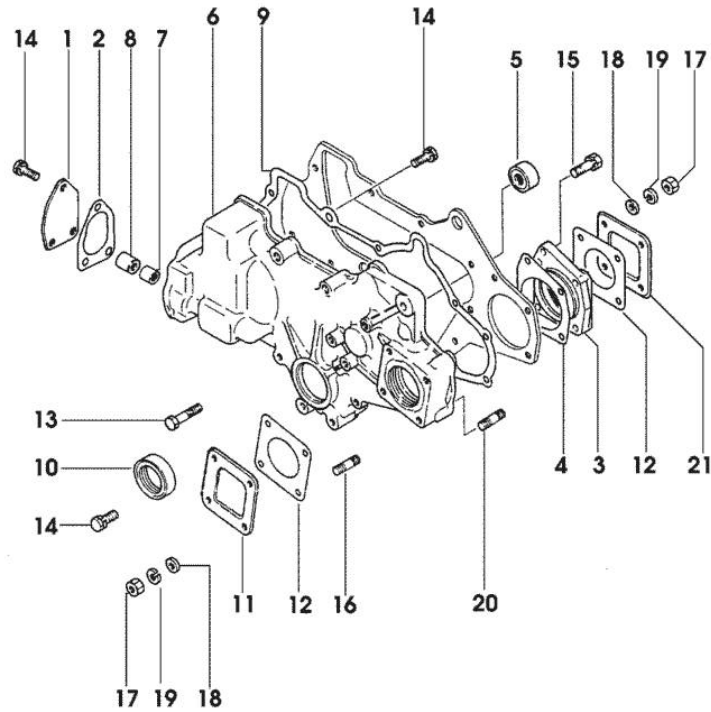
Section: ENGINE

**TIMING CASE**

Fig.	P/n	QTY	Name
------	-----	-----	------

Notes:

[PRINCE 325 XV]



531 - 2

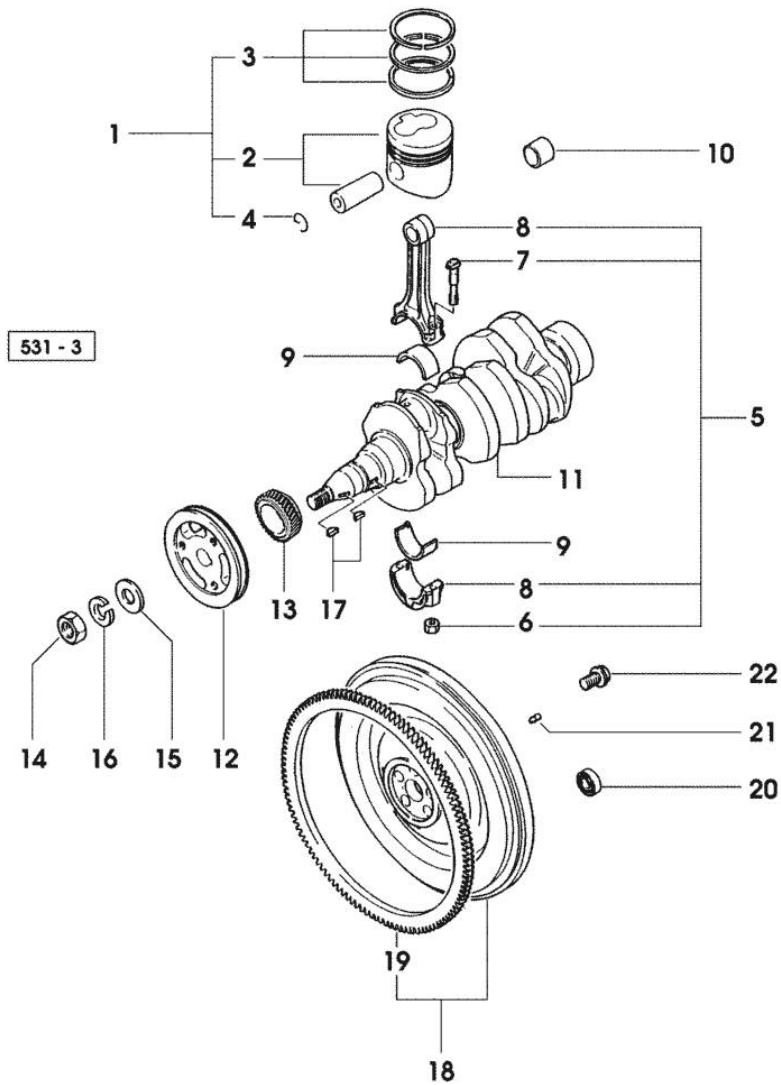
1	0.009.4534.0	1	cover
2	0.009.4534.1	1	gasket
3	0.009.4534.2	1	flange
4	0.009.4535.0	1	gasket
5	0.009.4535.1	1	plug
6	0.009.4535.2	1	distr. box
7	0.009.4536.0	1	special bearing
8	0.009.4536.1	1	special bearing
9	0.009.4536.2	1	gasket
10	0.009.4537.0	1	gasket
11	0.009.4537.1	1	cover
12	0.009.4537.2	2	gasket
13	0.009.4538.0	8	screw
14	0.009.4530.1	9	screw
15	0.009.4538.1	1	screw
16	0.009.4538.2	1	stud bolt
17	0.009.4539.0	4	nut
18	0.009.4539.1	4	flat washer
19	0.009.4539.2	4	spring washer
20	0.009.4540.0	3	stud bolt
21	0.009.4756.0	1	cover

Section: ENGINE  
**CRANKSHAFT**

Fig.	P/n	QTY	Name
------	-----	-----	------

Notes:  
 [PRINCE 325 XV]

1	0.361.0060.6	3	complete piston STANDARD
1	0.361.0061.6	3	complete piston + mm 0.25
1	0.361.0062.6	3	complete piston + mm 0.50
2	0.000.0000.1		cannot be supplied
3	0.361.0052.6	3	piston ring set STANDARD
3	0.361.0053.6	3	piston ring set + mm 0.25
3	0.361.0054.6	3	piston ring set + mm 0.50
4	0.009.4550.1	6	circlip
5	0.009.4550.4	3	engine connecting rod
6	0.009.4551.0	6	nut
7	0.009.4551.1	6	screw
8	0.000.0000.1		cannot be supplied
9	0.009.4551.2	3	con.rod half bushing STANDARD
9	0.009.4552.0	3	con.rod half bushing - mm 0.25
9	0.009.4552.1	3	con.rod half bushing - mm 0.50
9	0.009.4552.2	3	con.rod half bushing - mm 0.75
10	0.009.4553.0	3	special bushing
11	0.009.4756.1	1	crankshaft
12	0.009.4756.2	1	pulley
13	0.009.4554.0	1	gear
14	0.009.4554.1	1	nut
15	0.009.4554.2	1	flat washer
16	0.009.4555.0	1	spring washer
17	0.009.4555.1	2	key
18	0.009.4555.4	1	flywheel
19	0.009.4556.0	1	crown wheel
20	0.009.4556.1	1	special bearing
21	0.009.4556.2	3	pin
22	0.009.4557.0	5	screw



Section: ENGINE  
CAMSHAFT

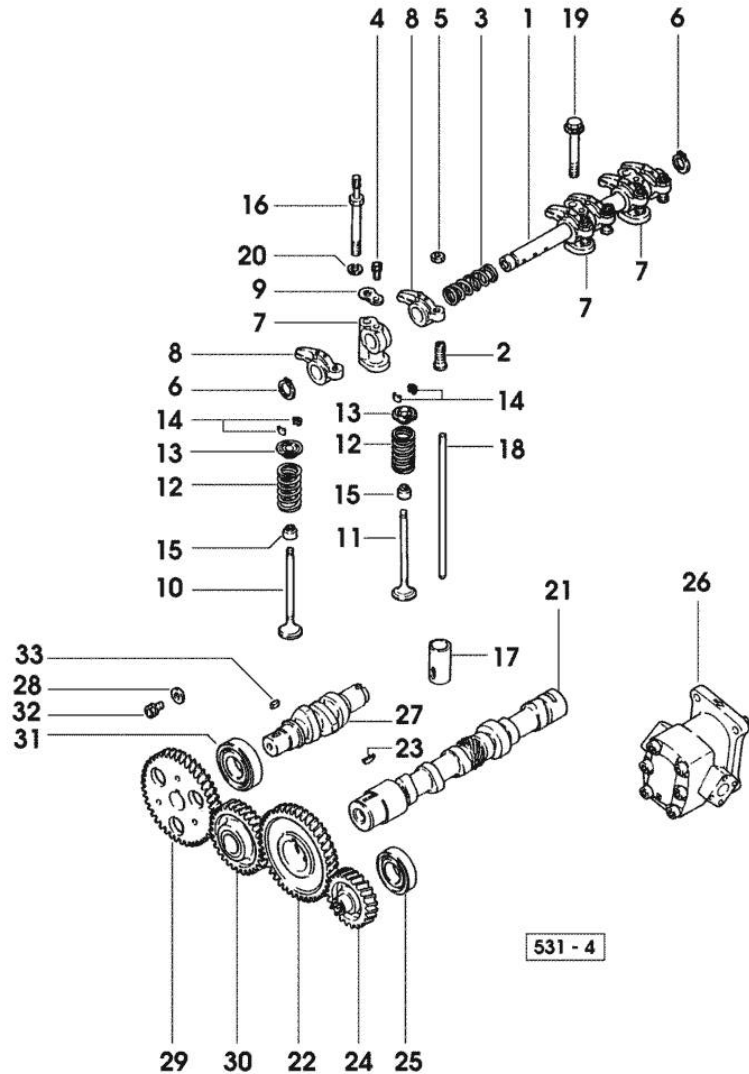


Fig.	P/n	QTY	Name
<b>Notes:</b> [PRINCE 325 XV]			
1	0.009.4757.0	1	shaft
2	0.009.4557.2	6	screw
3	0.009.4558.0	2	spring
4	0.009.4558.1	2	screw
5	0.009.4558.2	6	self-locking nut
6	0.009.4559.0	2	ring
7	0.009.4559.1	3	support
8	0.009.4559.2	6	rocker arm
9	0.009.4560.0	2	washer
10	0.009.4560.1	3	inlet valve Ø mm 6.5
11	0.009.4560.2	3	exhaust valve Ø mm 6.5
12	0.009.4561.0	6	spring
13	0.009.4561.1	6	cup
14	0.009.4561.2	12	stop
15	0.009.4562.0	6	gasket
16	0.009.4562.1	2	screw
17	0.009.4562.2	6	tappets
18	0.009.4563.0	6	rod
19	0.009.4563.1	1	screw
20	0.009.4563.2	2	washer
21	0.009.4757.1	1	camshaft
22	0.009.4564.1	1	gear
23	0.009.4555.1	1	key
24	0.009.4564.2	1	gear
25	0.009.4565.0	2	special bearing
26	0.008.6956.4	1	oil pump
27	0.009.4757.2	1	injection pump shaft
28	0.009.4566.0	1	washer
29	0.009.4566.1	1	gear
30	0.009.4566.2	1	gear
31	0.009.4567.0	1	special bearing
32	0.009.4567.1	1	screw
33	0.009.4567.2	1	stick

Section: ENGINE  
CYLINDER HEAD

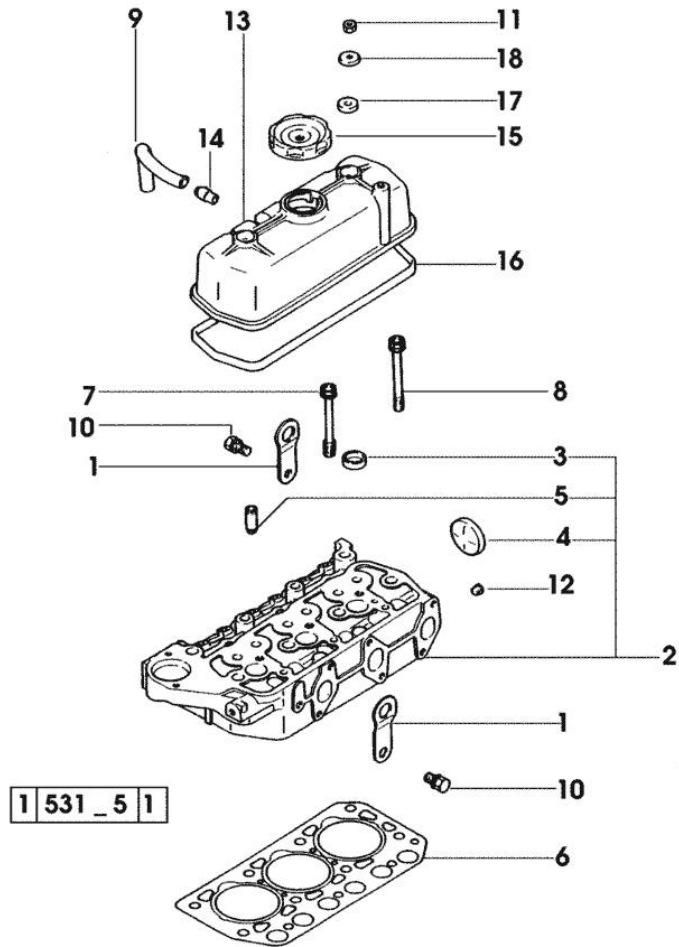


Fig.	P/n	QTY	Name
------	-----	-----	------

Notes:  
[PRINCE 325 XV]

1	0.009.4541.2	2	bracket
2	0.009.4759.0	1	engine head
3	0.009.4527.0	3	plug
4	0.009.4527.1	1	plug
5	0.009.4542.1	6	valve guide
6	0.009.4758.0		head gasket mm 1.40
6	0.009.4758.1		head gasket mm 1.53
6	0.009.4758.2		head gasket mm 1.60
7	0.009.4543.2	3	screw
8	0.009.4759.1	8	screw
9	0.009.4547.2	1	tube
10	0.009.4544.2	2	screw
11	0.009.4539.0	2	nut
12	0.009.4545.1	1	plug
13	0.009.4759.4/10	1	complete cover
14	0.009.4546.0	1	tube
15	0.009.4548.0	1	plug
16	0.009.4760.0	1	gasket
17	0.009.4547.0	2	gasket
18	0.009.4547.1	2	washer

Section: ENGINE  
LUBRICATION

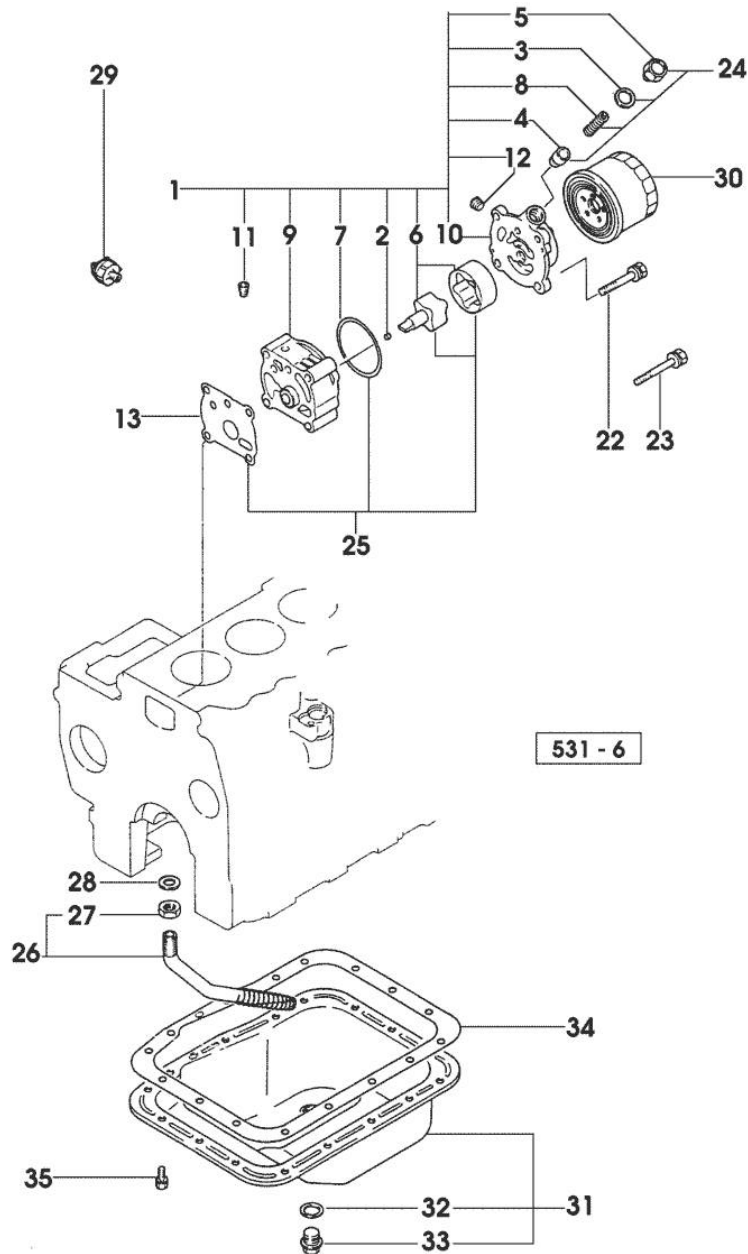


Fig.	P/n	QTY	Name
------	-----	-----	------

Notes:  
[PRINCE 325 XV]

1	0.009.4626.4	1	oil pump
2	0.009.4626.0	2	pin
3	0.009.4540.1	1	gasket
4	0.009.4626.1	1	pin seat
5	0.009.4627.0	1	plug
6	0.009.4627.3	1	impeller
7	0.009.4760.1	1	special oil seal
8	0.009.4628.0	1	spring
9	0.000.0000.1		cannot be supplied
10	0.009.4628.2	1	cover
11	0.009.4545.1	1	plug
12	0.009.4526.0	1	plug
13	0.009.4629.1	1	gasket
22	0.009.4632.1	3	screw
23	0.009.4632.2	1	screw
24	0.009.4633.6	1	valve
25	0.009.4633.4	1	oil pump
26	0.009.4633.3	1	level indicator
27	0.009.4634.0	1	self-locking nut
28	0.009.4634.1	1	gasket
29	0.009.4634.2	1	switch
30	0.009.4794.1	1	oil filter element
31	0.009.4540.4	1	oil sump - X 35HP
31	0.009.4760.2	1	oil sump - X 25HP
32	0.009.4540.1	1	gasket
33	0.009.4541.0	1	plug
34	0.009.4541.1	1	gasket Ø mm 38 - X 35HP
34	0.009.4761.0	1	gasket - X 25HP
35	0.009.4530.1	17	screw - X 25HP

Section: ENGINE  
**FUEL SUPPLY SYSTEM**

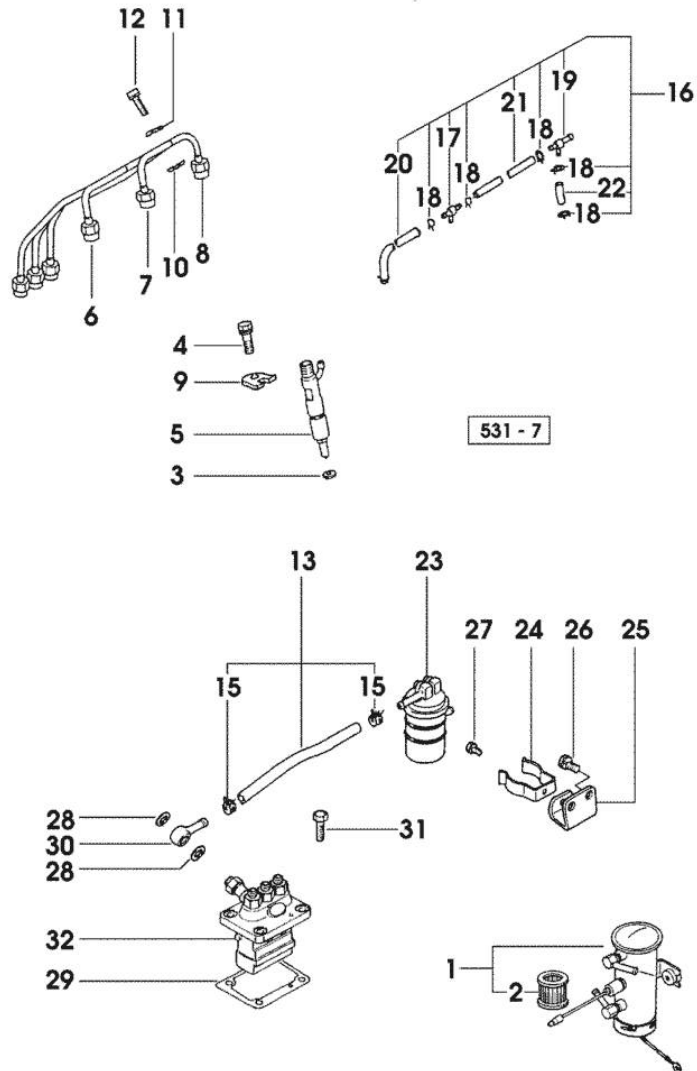
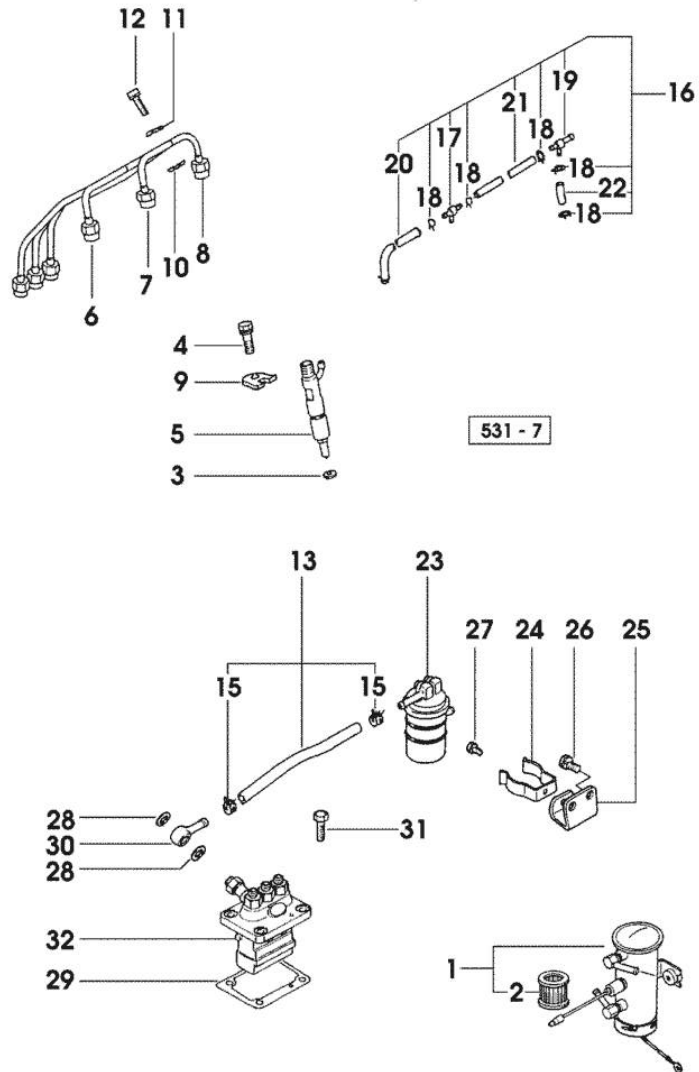


Fig.	P/n	QTY	Name
<b>Notes:</b>			
[PRINCE 325 XV]			
1	0.008.6957.4	1	feed pump ☞ 0.008.6957.4
2	0.009.4683.0	1	fuel filter element
3	0.009.4568.1	3	gasket
4	0.009.4568.2	3	screw
5	0.009.4770.4	4	injector assembly ☞ 01.00.79
6	0.009.4569.1	1	tube
7	0.009.4569.2	1	tube
8	0.009.4570.0	1	tube
9	0.009.4568.0	3	support
10	0.009.4570.2	2	clamp
11	0.009.4571.0	2	clamp
12	0.009.4571.1	2	screw
13	0.009.4761.2	1	tube
15	0.009.4572.1	2	clamp
16	0.009.4762.0	1	tube
17	0.009.4573.0	1	joint
18	0.009.4573.1	5	clamp
19	0.009.4573.2	1	joint
20	0.009.4574.0	1	rubber tube
21	0.009.4574.1	1	rubber tube
22	0.009.4574.2	2	rubber tube
23	0.009.4575.0	1	fuel filter element
24	0.009.4575.1	1	clamp
25	0.009.4575.2	1	support
26	0.009.4530.1	2	screw
27	0.009.4576.0	1	screw
28	0.009.4762.1	2	gasket
29	0.009.4763.0	1	shim mm 0.20
29	0.009.4763.1	1	shim mm 0.3
29	0.009.4763.2	1	shim mm 0.4
29	0.009.4764.0	1	shim mm 0.50
29	0.009.4764.1	1	shim mm 0.6
29	0.009.4764.2	1	shim mm 0.7
29	0.009.4765.0	1	shim mm 0.8
29	0.009.4765.1	1	shim mm 0.9
29	0.009.4765.2	1	shim mm 1.0
30	0.009.4774.1	1	pipe fitting
31	0.009.4580.0	4	screw
32	0.009.4766.4	1	injector pump

Section: ENGINE  
**FUEL SUPPLY SYSTEM**

Fig.	P/n	QTY	Name
------	-----	-----	------

01.00.64





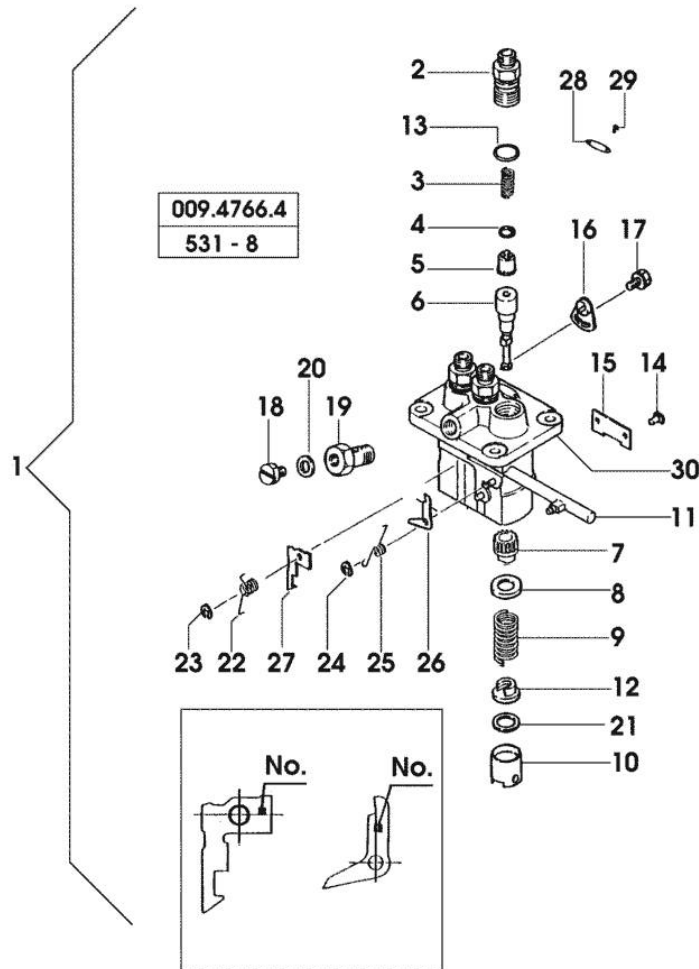
Section: ENGINE

**INJECTION PUMP PARTS**

Fig.	P/n	QTY	Name
------	-----	-----	------

Notes:  
[PRINCE 325 XV]

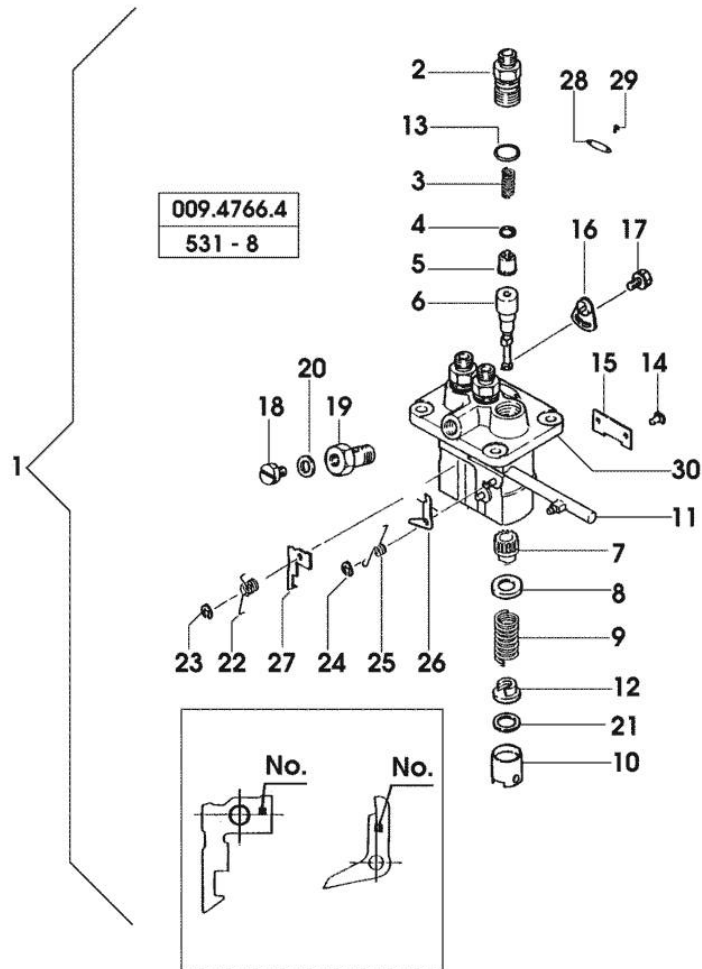
1	0.009.4766.4	1	injector pump
2	0.009.4581.0	3	pipe fitting
3	0.009.4766.1	3	spring
4	0.009.4581.2	3	gasket
5	0.009.4767.0	3	valve
6	0.009.4582.1	3	pumping element
7	0.009.4582.2	3	sleeve
8	0.009.4583.0	3	valve seat
9	0.009.4583.1	3	spring
10	0.009.4583.2	3	tappets
11	0.009.4767.1	3	ratchet
12	0.009.4584.1	3	valve seat
13	0.009.4584.2	3	ring
14	0.009.4585.0	3	pin
15	0.009.4767.2	1	small plate
16	0.009.4585.2	2	small plate
17	0.009.4586.0	2	screw
18	0.009.4586.1	1	screw
19	0.009.4768.0	1	pipe fitting
20	0.009.4587.0	1	washer
21	0.009.4587.1	3	shim mm 0.60
21	0.009.4587.2	3	shim mm 0.20
21	0.009.4588.0	3	shim mm 0.30
21	0.009.4588.1	3	shim mm 0.40
21	0.009.4588.2	3	shim mm 0.5
21	0.009.4589.0	3	shim mm 0.25
21	0.009.4589.1	3	shim mm 0.35
21	0.009.4589.2	3	shim mm 0.45
21	0.009.4590.0	3	shim mm 0.55
21	0.009.4590.1	3	shim mm 0.65
22	0.009.4590.2	1	spring
23	0.009.4591.0	1	ring
24	0.009.4591.1	1	ring
25	0.009.4768.1	1	spring
26	0.009.4592.0	1	plate 6, d128
26	0.009.4592.1	1	plate 7
26	0.009.4592.2	1	plate 8
26	0.009.4593.0	1	plate 9
26	0.009.4593.1	1	plate 10
26	0.009.4593.2	1	plate 11
26	0.009.4594.0	1	plate 12



Section: ENGINE

**INJECTION PUMP PARTS**

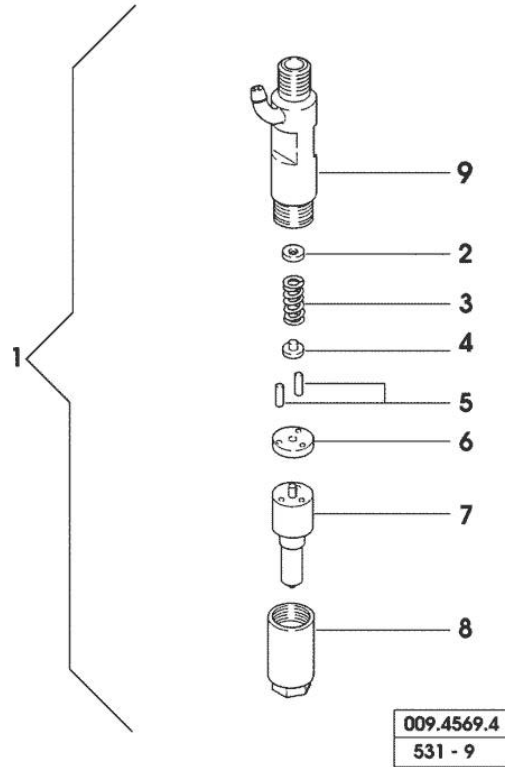
Fig.	P/n	QTY	Name
27	0.009.4594.1	1	plate 66
27	0.009.4594.2	1	plate 67
27	0.009.4595.0	1	plate 68
27	0.009.4595.1	1	plate 69
27	0.009.4595.2	1	plate 70
27	0.009.4596.0	1	plate 71
27	0.009.4596.1	1	plate 72
27	0.009.4596.2	1	plate 73
27	0.009.4597.0	1	plate 74
27	0.009.4597.1	1	plate 75
27	0.009.4597.2	1	plate 76
27	0.009.4768.2	1	plate 62
27	0.009.4769.0	1	plate 63
27	0.009.4769.1	1	plate 64
27	0.009.4769.2	1	plate 65
28	0.009.4769.3	1	plate
29	0.009.4599.2	2	rivet
30	0.000.0000.1		cannot be supplied



**INJECTOR NOZZLE HOLDER COMPONENTS**

Fig.	P/n	QTY	Name
------	-----	-----	------

Notes:  
[PRINCE 325 XV]



1	0.009.4770.4	1	injector assembly
2	0.009.4600.1		washer mm 1.00
2	0.009.4600.2		washer mm 1.05
2	0.009.4601.0		washer mm 1.10
2	0.009.4601.1		washer mm 1.15
2	0.009.4601.2		washer mm 1.20
2	0.009.4602.0		washer mm 1.25
2	0.009.4602.1		washer mm 1.30
2	0.009.4602.2		washer mm 1.35
2	0.009.4603.0		washer mm 1.40
2	0.009.4603.1		washer mm 1.45
2	0.009.4603.2		washer mm 1.50
2	0.009.4604.0		washer mm 1.55
2	0.009.4604.1		washer mm 1.60
2	0.009.4604.2		washer mm 1.65
2	0.009.4605.0		washer mm 1.70
2	0.009.4605.1		washer mm 1.75
2	0.009.4605.2		washer mm 1.80
2	0.009.4606.0		washer mm 1.85
2	0.009.4606.1		washer mm 1.90
2	0.009.4606.2		washer mm 1.95
2	0.009.4607.0		washer mm 2.00
2	0.009.4607.1		washer mm 2.05
2	0.009.4607.2		washer mm 2.10
2	0.009.4608.0		washer mm 2.15
2	0.009.4608.1		washer mm 1.275
2	0.009.4608.2		washer mm 1.325
2	0.009.4609.0		washer mm 1.375
2	0.009.4609.1		washer mm 1.425
2	0.009.4609.2		washer mm 1.475
2	0.009.4610.0		washer mm 1.525
2	0.009.4610.1		washer mm 1.575
2	0.009.4610.2		washer mm 1.625
2	0.009.4611.0		washer mm 1.675
2	0.009.4611.1		washer mm 1.725
2	0.009.4611.2		washer mm 1.775
2	0.009.4612.0		washer mm 0.95
3	0.009.4612.1	1	spring
4	0.009.4612.2	1	pin
5	0.009.4613.0	2	pin
6	0.009.4613.1	1	gasket

Thank you so much for reading.  
Please click the “Buy Now!”  
button below to download the  
complete manual.



After you pay.

You can download the most  
perfect and complete manual in  
the world immediately.

Our support email:

[ebooklibonline@outlook.com](mailto:ebooklibonline@outlook.com)