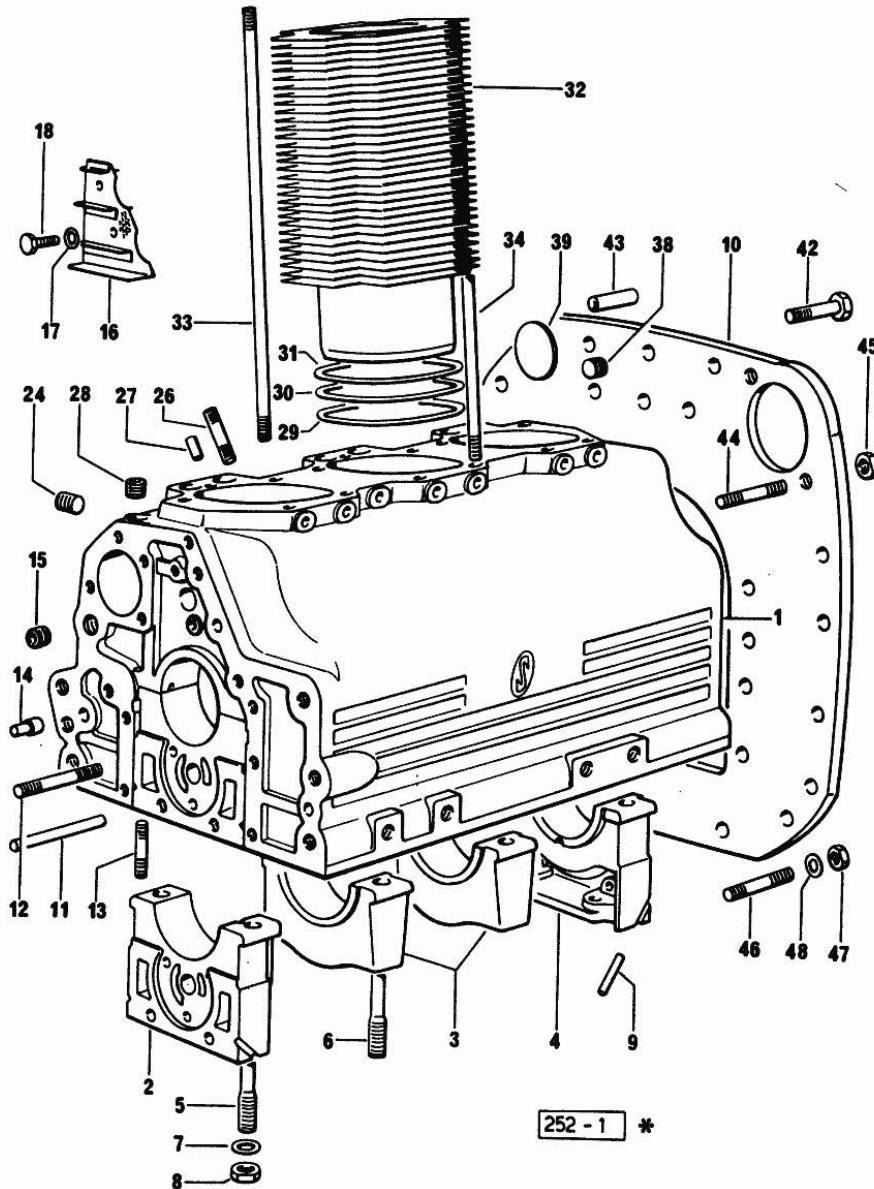


Section: ENGINE
CRANKCASE

Fig.	P/n	QTY	Name
------	-----	-----	------

Notes:
[Ranger 45 Frutteto]

0	0.035.0050.6/10	1	gasket set FOR ENGINE ASSEMBLY
1	0.035.1110.4/40	1	crankcase
2	0.004.8776.0	1	support
3	0.029.1113.0	2	support
4	0.029.1116.0	1	support
5	0.021.1157.0	4	stud bolt
6	0.029.1117.0	4	stud bolt
7	2.1599.144.7	8	shoulder ring 12.5x23x4
8	2.1019.026.7	8	special nut m 12 p.1.5
9	0.029.1154.0/10	4	gasket
10	0.027.1130.0/20	1	flange
11	2.1699.116.0	1	pin
12	2.0432.018.7	5	stud bolt m 8 p.1.25 / p.1 x 65
13	2.0432.003.7	24	stud bolt m 8 p.1.25 / p.1 x 20
14	2.1699.021.0	1	pin 7.8x8x20
15	2.3130.002.1	1	plug 1/4" gas
16	0.029.1155.2/20	1	plate
17	2.1470.002.2	2	lock washer 6
18	2.0112.002.2	2	screw m 6 p.1 x 10
24	2.3139.001.1	3	plug
26	2.0432.267.7	2	stud bolt m 12 p.1.75-1.25x60
27	2.1653.708.0	1	pin 8x18
28	2.3130.001.1	3	plug 1/8" gas
29	2.1569.055.0	3	shim
30	2.1589.037.0	3	shim
31	2.1589.036.0	3	shim
32	0.036.1120.0/10	3	engine cylinder
33	0.039.1122.0	12	stud bolt m 12 p.1.5x310
34	0.041.1123.0/10	3	stud bolt
38	2.3130.002.1	1	plug 1/4" gas
39	2.3170.022.1	1	expansion plug 60
42	2.0112.511.1	11	screw m 14 p.2 x 30
43	2.1652.911.0	2	cylindrical plug 12x25
44	2.0432.257.7	2	stud bolt m 12 p.1.75 - 1.25 x 30
45	2.1011.207.2	2	nut m 12 p.1.5
46	2.0432.153.7	2	stud bolt m 10 p.1.5 / p.1.25 x 20
47	2.1011.421.2	2	nut m 10 p.1.25
48	2.1474.010.1	1	spring washer 10



Section: ENGINE

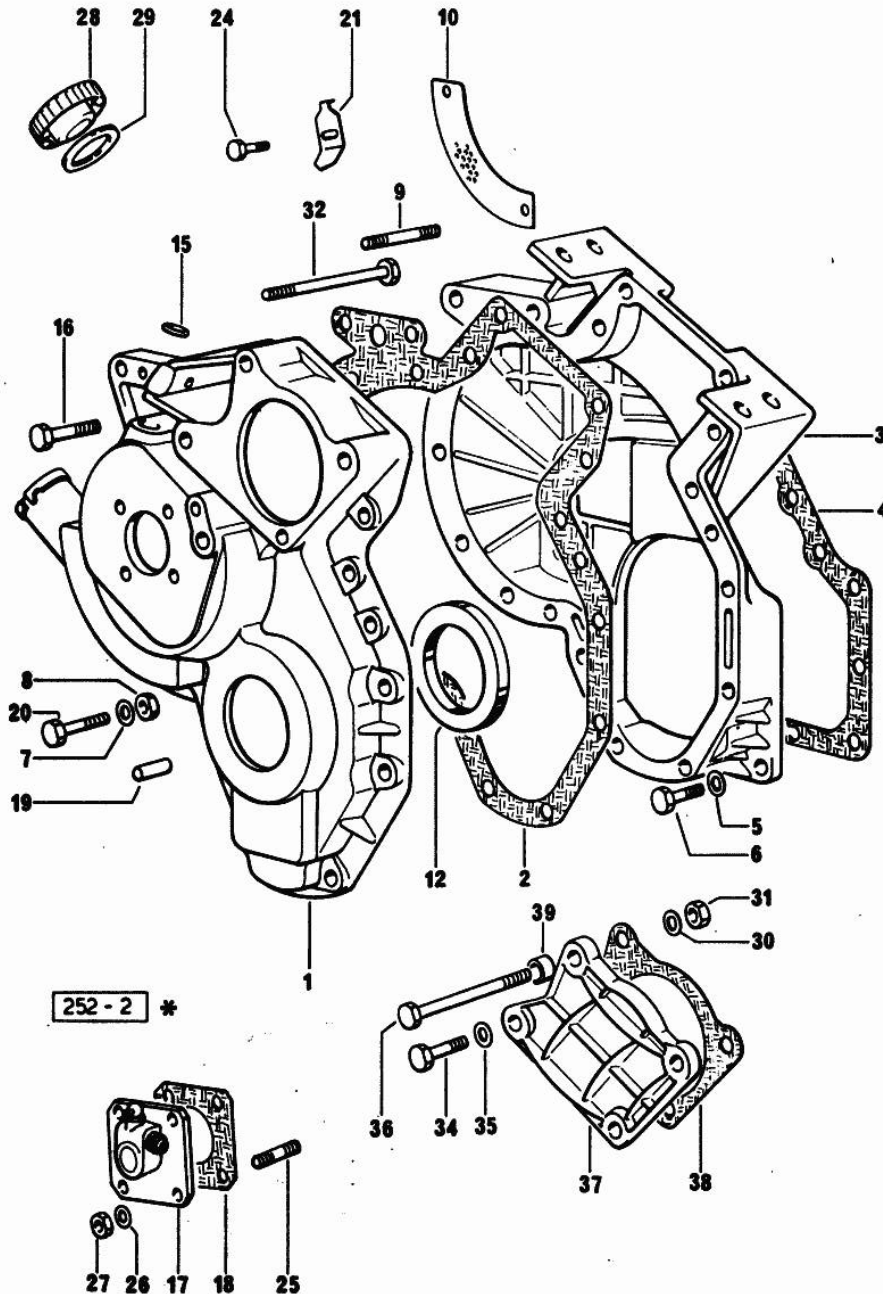
TIMING CASE

Fig.	P/n	QTY	Name
------	-----	-----	------

Notes:

[Ranger 45 Frutteto]

1	0.027.1155.0/40	1	guard
2	0.027.1156.0	1	gasket
3	0.027.1154.0/30	1	flange
4	0.029.1153.0/10	1	gasket
5	2.1474.009.1	8	spring washer 8
6	2.0112.207.2	8	screw m 8 p 1.25 x 20
7	2.1474.009.1	15	spring washer 8
8	2.1121.105.2	15	nut m 8 x 1
9	2.0439.060.2	3	stud bolt m 8 p.1.25-1x22
10	0.027.1152.0/20	1	small plate
12	2.1519.010.0	1	special oil seal 58x80x10
15	2.1530.028.0	1	oil seal 11.91 x 2.62
16	2.0122.224.2	1	screw
17	2.7049.210.0/20	1	transmission
18	0.026.1150.0	1	gasket
19	2.1653.711.0	1	pin
20	2.0122.213.2	4	screw m 8 p.1x35
21	0.027.1150.0/10	1	index
24	2.0112.204.2	1	screw m 8 p.1.25x14
25	2.0439.055.1	4	stud bolt m 6 p.1 x 18
26	2.1470.002.2	4	lock washer 6
27	2.1011.103.2	4	nut m 6 p.1
28	0.022.1135.3	1	plug
29	2.1569.048.0	1	gasket
30	2.1474.009.1	2	spring washer 8
31	2.1121.105.2	3	nut m 8 x 1
32	2.0122.225.2	2	screw m 8 p.1x80
34	2.0112.211.2	2	screw m 8 p.1.25 x 30
35	2.1474.009.1	2	spring washer 8
36	2.0122.233.2	2	screw
37	0.029.1163.0	1	small cover
38	0.054.1155.0	1	gasket
39	2.1579.191.2	2	spacer 8.5 x 18 x 20

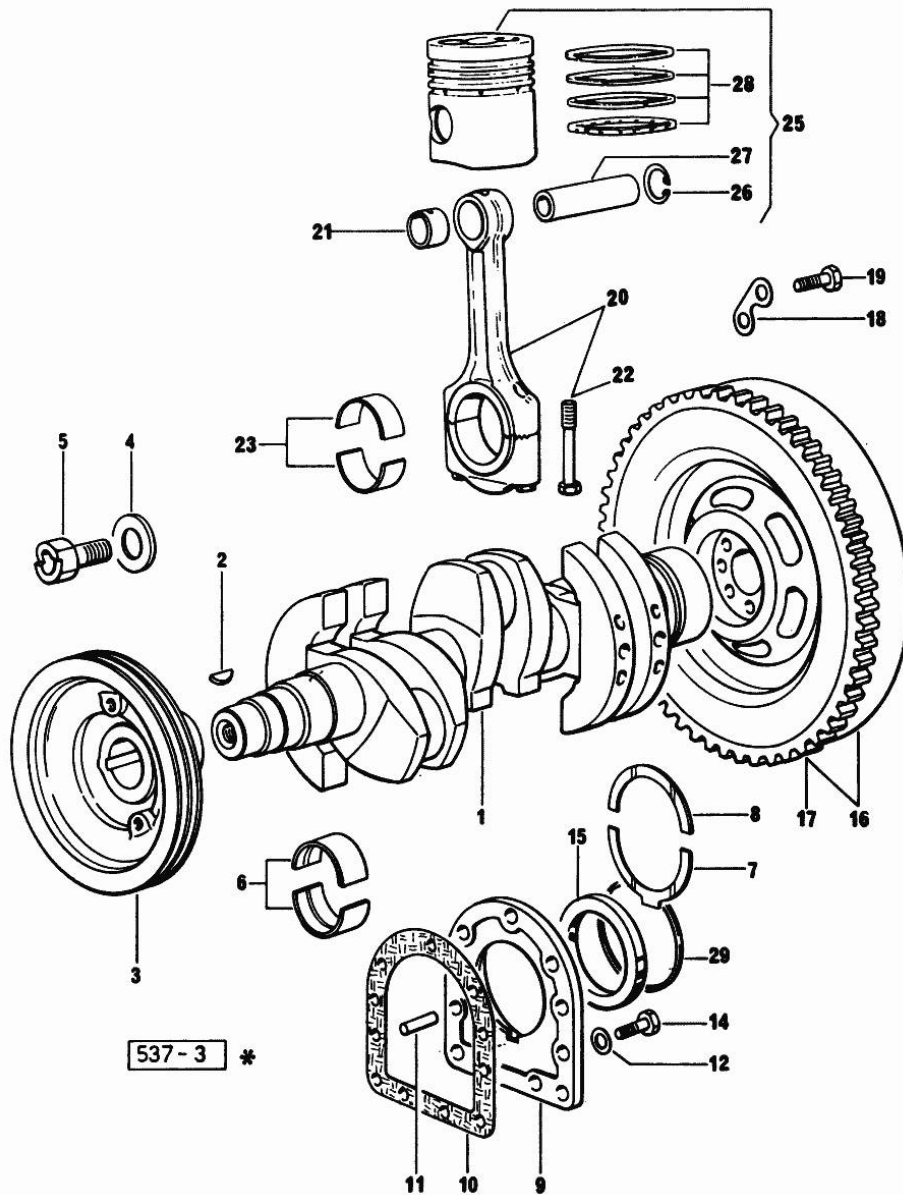


Section: ENGINE

CRANKSHAFT

Fig.	P/n	QTY	Name
------	-----	-----	------

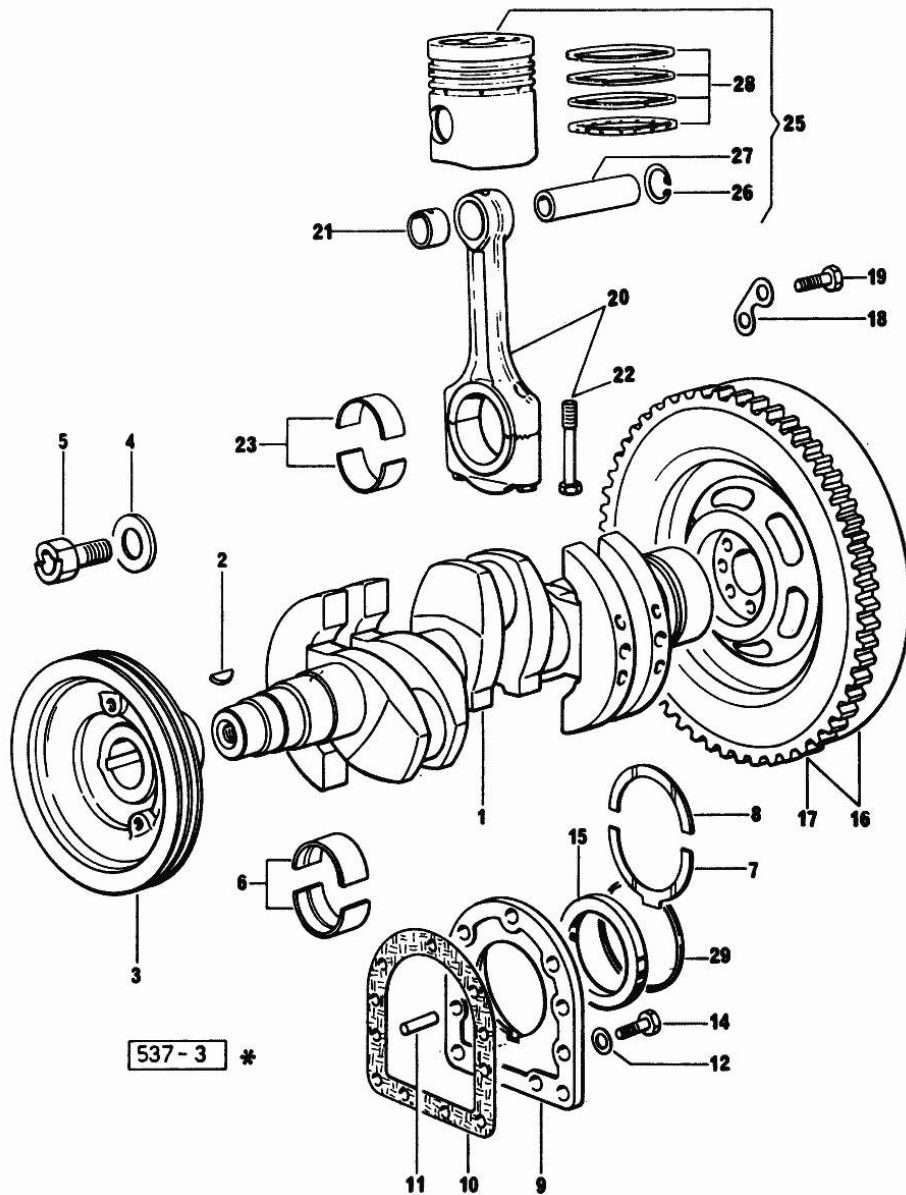
Notes:
[Ranger 45 Frutteto]



1	0.029.1210.4/30	1	crankshaft X RANGER 45 - 3582 <= X RANGER 45 FR. - 35772 <=
1	0.053.1210.4/10	1	crankshaft X RANGER 45 => 35883 37006 <= ORDER ALSO N.1 2.1799.026.0 X RANGER 45 FR => 35773 39961 <= ORDER ALSO N.1 2.1799.026.0
2	2.1799.002.0	1	stick 10x13 X RANGER 45 - 37006 <= X RANGER 45 FR. - 39961 <=
2	2.1799.026.0	1	key 10x10 X RANGER 45 => 37007 X RANGER 45 FR. => 39962
3	0.035.1244.0/20	1	pulley X RANGER 45 - 35882 <= X RANGER 45 FR. - 35772 <=
3	0.035.1265.0	1	pulley X RANGER 45 => 35888 X RANGER 45 FR. => 35773
4	0.001.6020.0	1	shoulder
5	2.0129.032.2	1	screw m 24 p.2x45
6	0.073.1215.0/10	1	main half bushing
6	0.073.1215.7		main half bushing - mm 0.25
6	0.073.1215.8		main half bushing - mm 0.50
6	0.073.1215.9		main half bushing - mm 0.75
7	0.001.4547.0		shoulder ring + mm 0.05
7	0.001.4548.0		shoulder ring + mm 0.10
7	0.001.4549.0		shoulder ring + mm 0.15
7	0.042.1219.0	2	shoulder ring STANDARD
8	0.001.4544.0		shoulder ring + mm 0.05
8	0.001.4545.0		shoulder ring + mm 0.10
8	0.001.4546.0		shoulder ring + mm 0.15
8	0.042.1218.0	2	shoulder ring STANDARD
9	0.028.1240.0/10	1	- 31053 <=
9	0.045.1240.0	1	flange => 31054
10	0.029.1250.0/10	1	gasket

CRANKSHAFT

Fig.	P/n	QTY	Name
11	2.1652.915.0	2	cylindrical plug 12x35
12	2.1474.010.1	9	spring washer 10
14	2.0112.309.2	9	screw m 10 p.1.5 x 25
15	2.1529.045.0	1	oil seal
16	0.035.1241.3/20	1	flywheel
17	0.038.1242.0	1	crown wheel Z = 120, mm 15
18	2.1379.006.0	3	lock-tab 15x15x36,5
19	2.0122.515.7	6	screw
20	0.039.1220.3/30	3	engine connecting rod
21	2.1559.114.0/10	3	special bushing
22	0.039.1250.0	6	screw m 14 p.1.5x63
23	0.062.0059.0		con.rod half bushing - mm 1.00
23	0.062.1225.0	6	con.rod half bushing STANDARD
23	0.062.1225.7		con.rod half bushing - mm 0.25
23	0.062.1225.8		con.rod half bushing - mm 0.50
23	0.062.1225.9		con.rod half bushing - mm 0.75
25	0.036.0060.6/10	3	complete piston
25	0.036.0061.6/10		complete piston + mm 0.50
25	0.036.0062.6/10		complete piston + mm 1.00
26	2.1411.014.1	6	circlip 35
27	0.002.4167.0	3	piston pin
28	0.053.0052.6/10	3	piston ring set
28	0.053.0053.6/10	3	piston ring set + mm 0.50
28	0.053.0054.6/10	3	piston ring set + mm 1.0
29	2.1599.404.0	1	shoulder ring



Section: ENGINE
CYLINDER HEAD

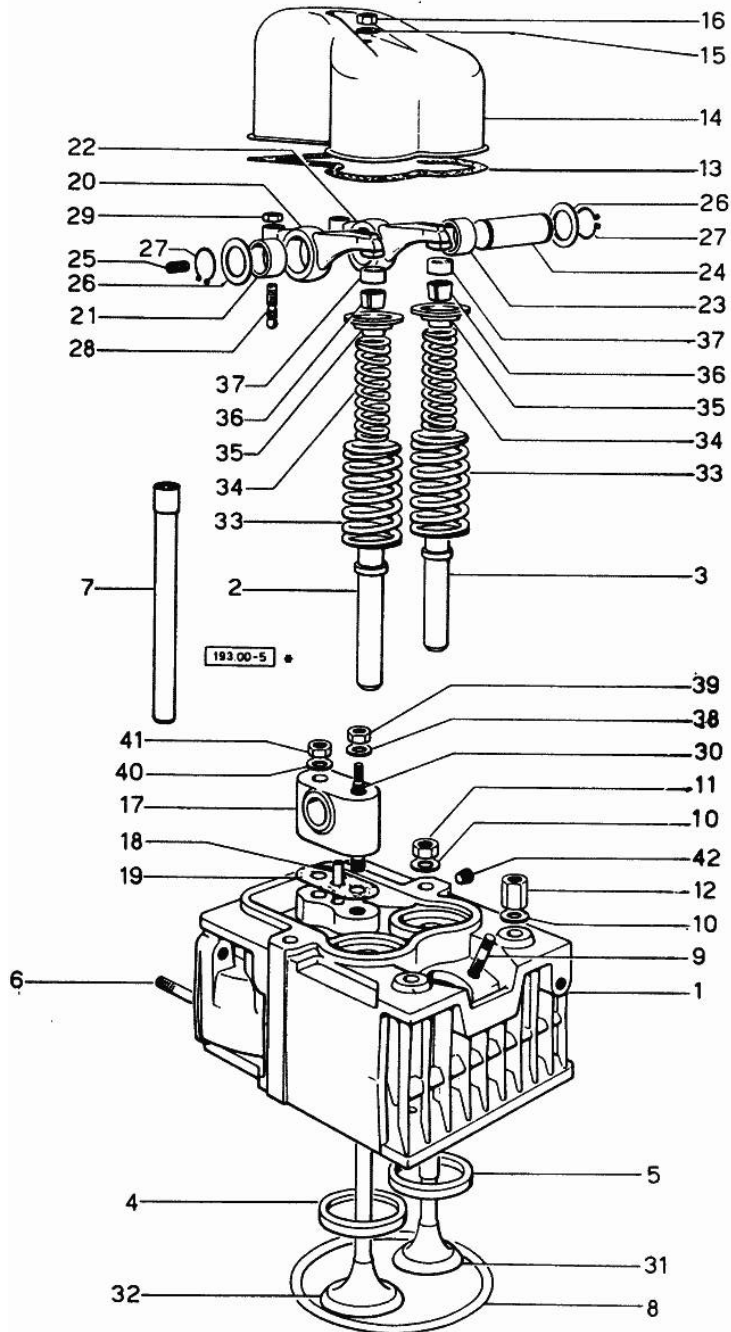


Fig.	P/n	QTY	Name
------	-----	-----	------

Notes:
[Ranger 45 Frutteto]

0	0.034.0057.6	1	gasket set FOR GRINDING VALVES OF ONE CYLINDER AND PISTON RING RENEWAL
1	0.037.1450.3/30	3	engine head
2	0.037.1416.0	3	valve guide
3	0.045.1417.0	3	valve guide
4	0.037.1451.0/10	3	valve seat
5	0.037.1452.0/10	3	valve seat
6	2.0432.007.7	9	stud bolt m 8 p.1.25 / p.1 x 30
6	2.0432.023.7	3	stud bolt m 8 p. x 90
7	0.029.1418.0	6	sleeve
8	2.1569.056.0/10	3	gasket
9	2.0439.087.1/20	6	stud bolt m 8 p.1.25 / p.1 x 40
10	2.1599.406.0	12	shoulder ring
11	2.1019.025.0	7	special nut m 12 p.1.5
12	2.1019.037.0	5	special nut m 12 p.1.5
13	0.029.1450.0	3	gasket
14	0.039.1440.0	3	cap
15	2.1560.004.0	3	copper gasket 8.2 x 14
16	2.1099.056.2	3	special nut m 8 p.1 x 8
17	0.034.1430.0	3	support
18	0.029.1452.0	3	tube
19	0.034.1450.0	3	tappet gasket
20	002.5937.3/30	3	rocker arm
21	2.1559.021.0/40	3	bushing 15x19x22
22	0.002.5936.3/40	3	rocker arm
23	2.1559.021.0/40	3	bushing 15x19x22
24	0.029.1431.0	3	pin
25	2.0512.102.1	3	screw m 6 p.1 x 8
26	2.1599.019.0	6	shoulder ring 19.5x31x2
27	2.1410.055.1	6	circlip 19
28	0.021.1434.0	6	screw
29	2.1121.105.2	6	nut m 8 x 1
30	0.039.1451.0	3	stud bolt
31	0.039.1421.0	3	exhaust valve Ø mm 9
32	0.039.1420.0	3	inlet valve
33	2.4019.193.0	6	spring 36.15x55.2x3.2
34	2.4019.194.0	6	spring 22.70x50.7x2.1
35	0.002.9215.0/20	6	cup
36	0.074.1423.0	6	conical valve cotter
37	0.021.1453.0/20	6	small cover

Section: ENGINE
CYLINDER HEAD

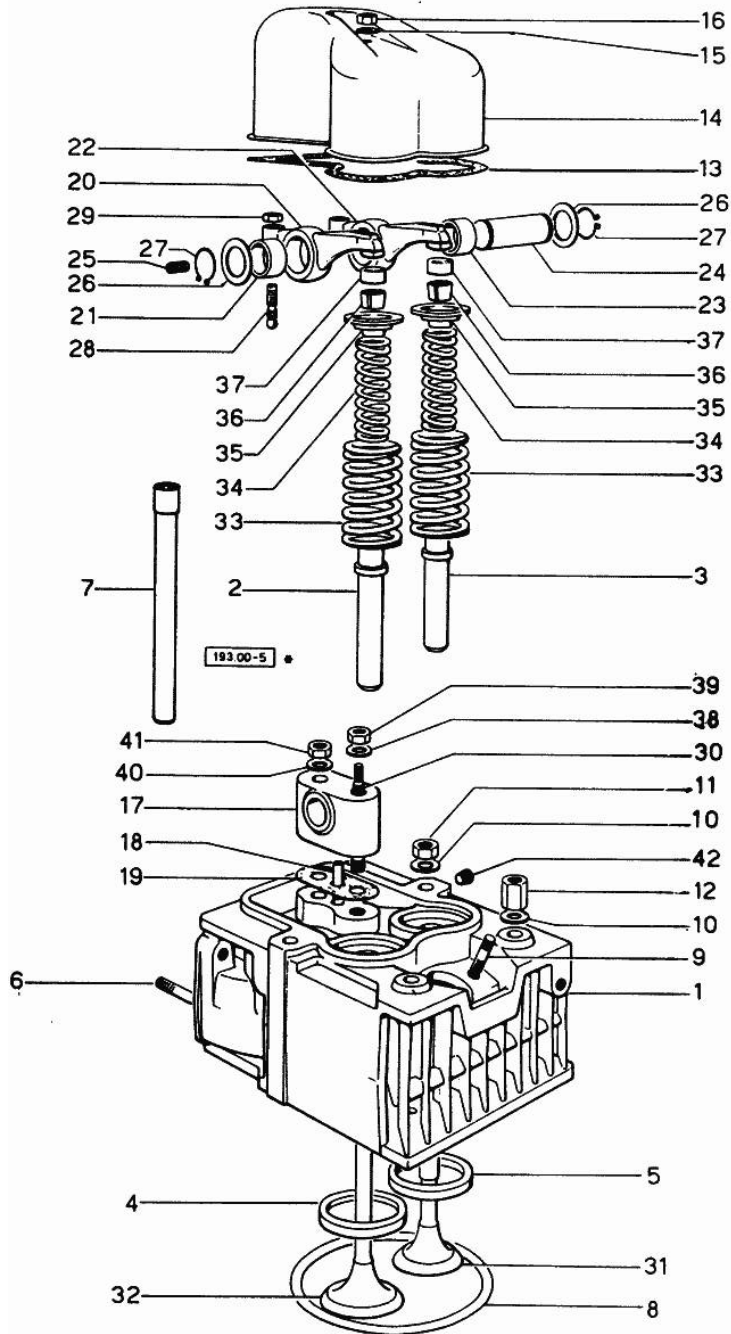


Fig.	P/n	QTY	Name
38	2.1310.006.2	3	flat washer 10.5x21
39	2.1011.421.2	3	nut m 10 p.1.25
40	2.1599.160.0	3	washer 10.5x19x4
41	2.1099.035.0	3	special nut m 10 p.1.25
42	2.3130.001.1	3	plug 1/8" gas

Section: ENGINE
LUBRICATION

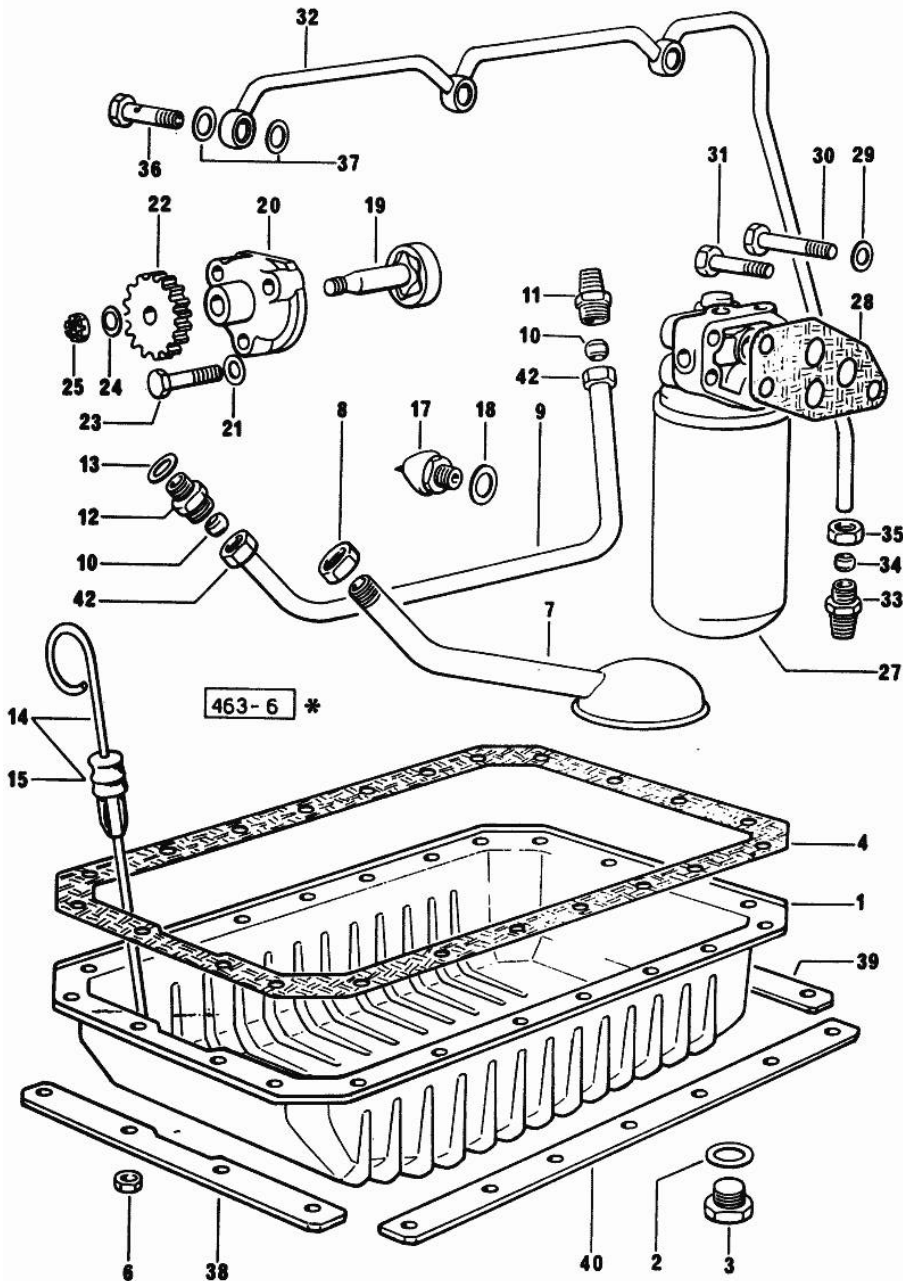


Fig.	P/n	QTY	Name
------	-----	-----	------

Notes:
[Ranger 45 Frutteto]

1	0.035.1510.2/10	1	oil sump
2	2.1560.054.0	1	gasket 21 x 26
3	2.3199.001.2	1	plug 1/2" gas
4	0.029.1512.2	1	gasket
6	2.1021.105.2	24	-
7	0.035.1531.3	1	tube
8	2.1099.026.1	1	special nut
9	0.029.1534.0	1	tube
10	2.3359.004.2	2	ring
11	2.3319.014.1	1	pipe union
12	2.3319.013.1	1	pipe union
13	2.1560.013.0	1	gasket 18.2x22
14	0.036.1513.3	1	dipstick
15	0.034.1551.0	1	gasket
17	2.7099.040.0/10	1	pressure switch
18	2.1560.008.0	1	gasket 12.2 x 18
19	0.029.1522.3/10	1	shaft
20	0.029.1520.0	1	pump casing
21	2.1470.004.2	3	lock washer 8
22	0.029.1521.0/10	1	gear
23	2.0112.215.2	3	screw m 8 p.1.25 x 40
24	2.1310.006.2	1	flat washer 10.5x21
25	2.1121.107.2	1	self-locking nut m 10 p 1.25
27	2.4419.130.0/10	1	oil filter
			☞ 01.00.6
28	0.037.1552.0/10	1	gasket
29	2.1474.010.1	3	spring washer 10
30	2.0112.320.2	2	screw m 10 p.1.5 x 55
31	2.0112.315.2	1	screw m 10 p.1.5 x 40
32	0.038.1536.3/10	1	tube
33	2.3319.002.1	1	pipe fitting
34	2.3350.002.1	1	nosepiece 6, d128
35	2.3360.002.1	1	union nut m 10
36	2.3339.001.0	3	pipe fitting m 10 p.1
37	2.1560.006.0	6	gasket 10.2 x 16
38	0.053.1550.0/10	1	small plate
39	0.053.1551.0	1	small plate
40	0.053.1551.0/10	1	-
42	2.3369.009.1	2	union nut

DETAILS OF OIL FILTER

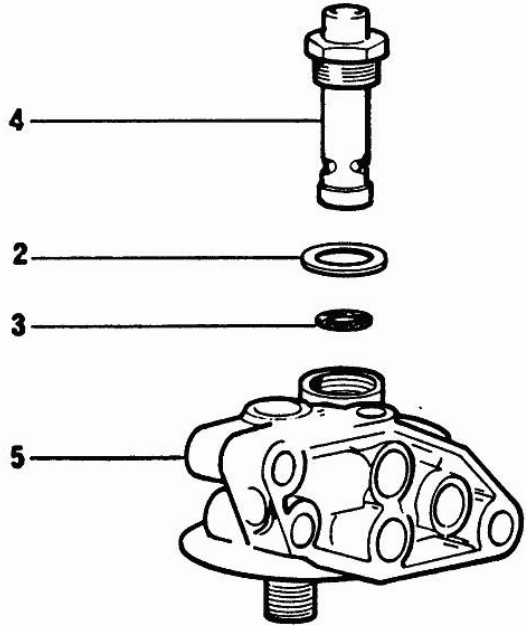
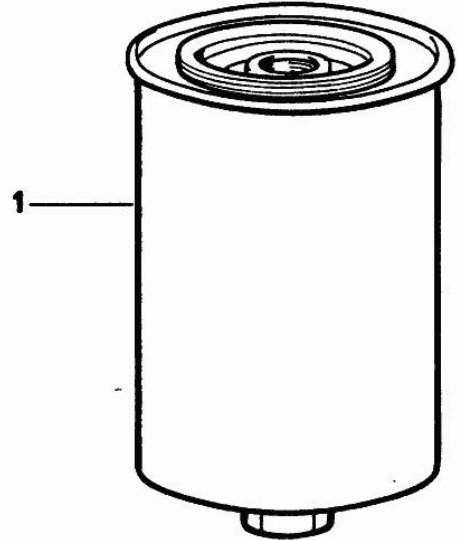


Fig.	P/n	QTY	Name
------	-----	-----	------

Notes:
[Ranger 45 Frutteto]

0	2.4419.130.0/10	1	oil filter
1	2.4419.150.1	1	oil filter element
2	2.4419.130.4	1	gasket
3	2.1530.045.0	1	oil seal 17.86x2.62
4	2.4419.130.2	1	valve
5	0.000.0000.1		cannot be supplied



2.4419.130.0/ 10
2.4419.150.0/ 10
2.4419.190.0
2.4419.180.0/10

*

Section: ENGINE

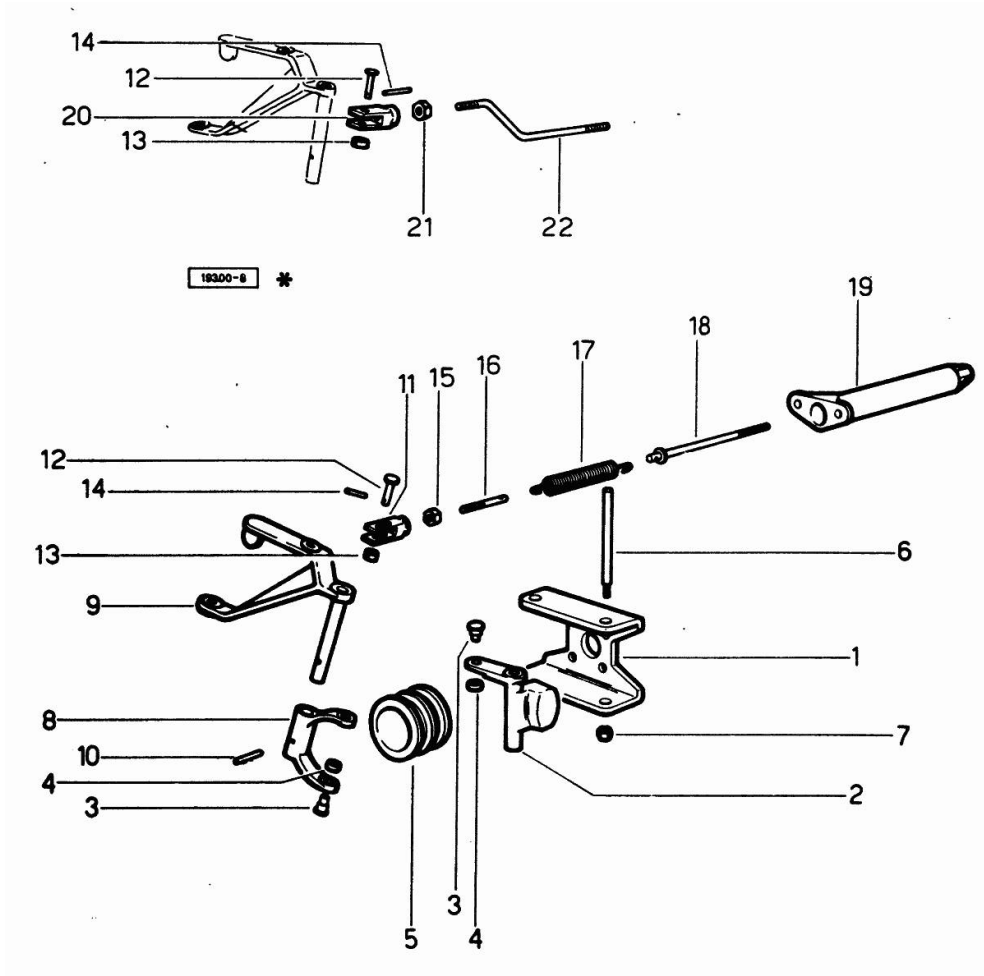
FUEL SYSTEM - CONTROLS

Fig.	P/n	QTY	Name
------	-----	-----	------

Notes:

[Ranger 45 Frutteto]

1	0.029.1615.0	1	bracket
2	0.029.1616.0	2	adjust.rocker
3	0.029.1652.0	4	pin
4	0.029.1653.0	2	roller
5	0.029.1618.0	1	sleeve
6	0.029.1617.0	2	pin
7	2.1120.005.2	2	nut m 8 p.1.25
8	0.027.1670.0	1	fork
9	0.027.1668.3	1	lever
10	2.1631.311.0	1	roll pin 3x24
11	2.3519.004.2/10	1	fork
12	2.1679.018.0	2	pin
13	2.1599.109.0	2	shoulder ring
14	2.1630.006.0	2	roll pin 2x12
15	2.1011.103.2	1	nut m 6 p.1
16	0.029.1627.0/10	1	rod
17	2.4049.054.1	1	spring
18	0.035.1626.3	1	rod
19	0.029.1624.0	1	spring holder
20	0.000.4699.0	1	fork
21	2.1011.103.2	4	nut m 6 p.1
22	0.027.1674.0	1	rod



Thank you so much for reading.
Please click the “Buy Now!”
button below to download the
complete manual.



After you pay.

You can download the most
perfect and complete manual in
the world immediately.

Our support email:

ebooklibonline@outlook.com