

Section: ENGINE
CRANKCASE

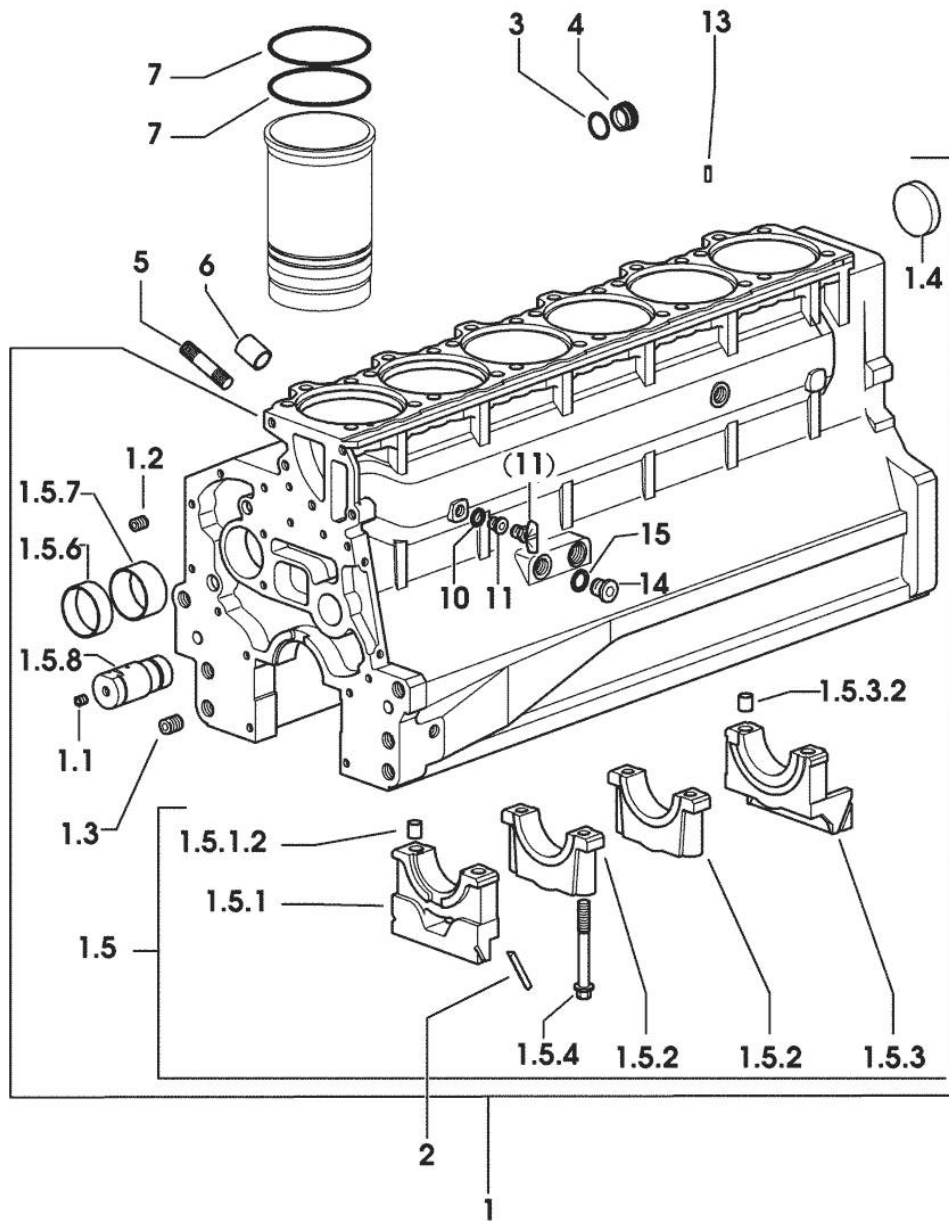


Fig.	P/n	QTY	Name
------	-----	-----	------

Notes:
 [RUBIN 120]

1	0.007.1102.6/20	1	crankcase
1.1	2.3130.001.1	14	plug 1/8" gas
1.2	2.3130.002.1	2	plug 1/4" gas
1.3	2.3130.003.1	8	plug 3/8" gas
1.4	2.3179.012.0	1	plug 60
1.5	0.000.0000.1		cannot be supplied
1.5.1	0.065.1112.7	1	support
1.5.1.2	2.1699.165.0	1	bush 12.3x15x16
1.5.2	0.065.1114.0/10	5	support
1.5.3	0.007.0848.3/10	1	support
1.5.3.2	2.1699.165.0	1	bush 12.3x15x16
1.5.4	0.065.1117.0	14	screw m 12 x 100
1.5.6	0.065.1140.0	6	special bushing 59X55X20
1.5.7	0.065.1141.0	1	special bushing 59X55X30
1.5.8	0.066.1151.0	1	pin
2	0.066.1152.0/10	4	gasket
3	2.1532.072.0	1	oil seal 26.70x1.78
4	2.3199.405.2	1	plug m 28 p.1.5
5	2.0432.003.7	18	stud bolt m 8 p.1.25 / p.1 x 20
6	2.1559.188.2	6	bush 11.4 x 14 x16
7	2.1539.193.0	12	special oil seal 107.62x2.62
10	2.1560.010.0	1	gasket 14.2 x 20
11	2.3199.292.0	1	plug 1/4" gas
13	2.1549.154.2	6	bush 4.8x5.8x16
14	2.3120.101.0	1	plug m 18 p.1.5
15	2.1560.014.0	1	washer 18.2 x 24

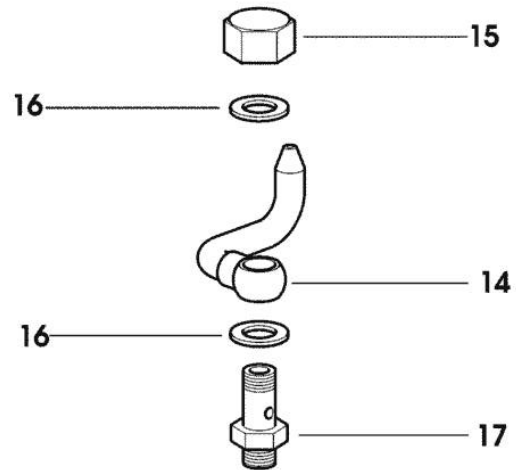
9_33711_00_0_0

PISTON COOL.NOZZLE

Fig.	P/n	QTY	Name
------	-----	-----	------

Notes:
[RUBIN 120]

14	0.086.1550.2	6	sprayer nozzle
15	2.1099.108.2	6	special nut m 10 p.1
16	2.1560.006.0	12	gasket 10.2 x 16
17	0.065.1160.3/20	6	valve



9_33715_02_0_0

Section: ENGINE
CONNECTING FLANGE

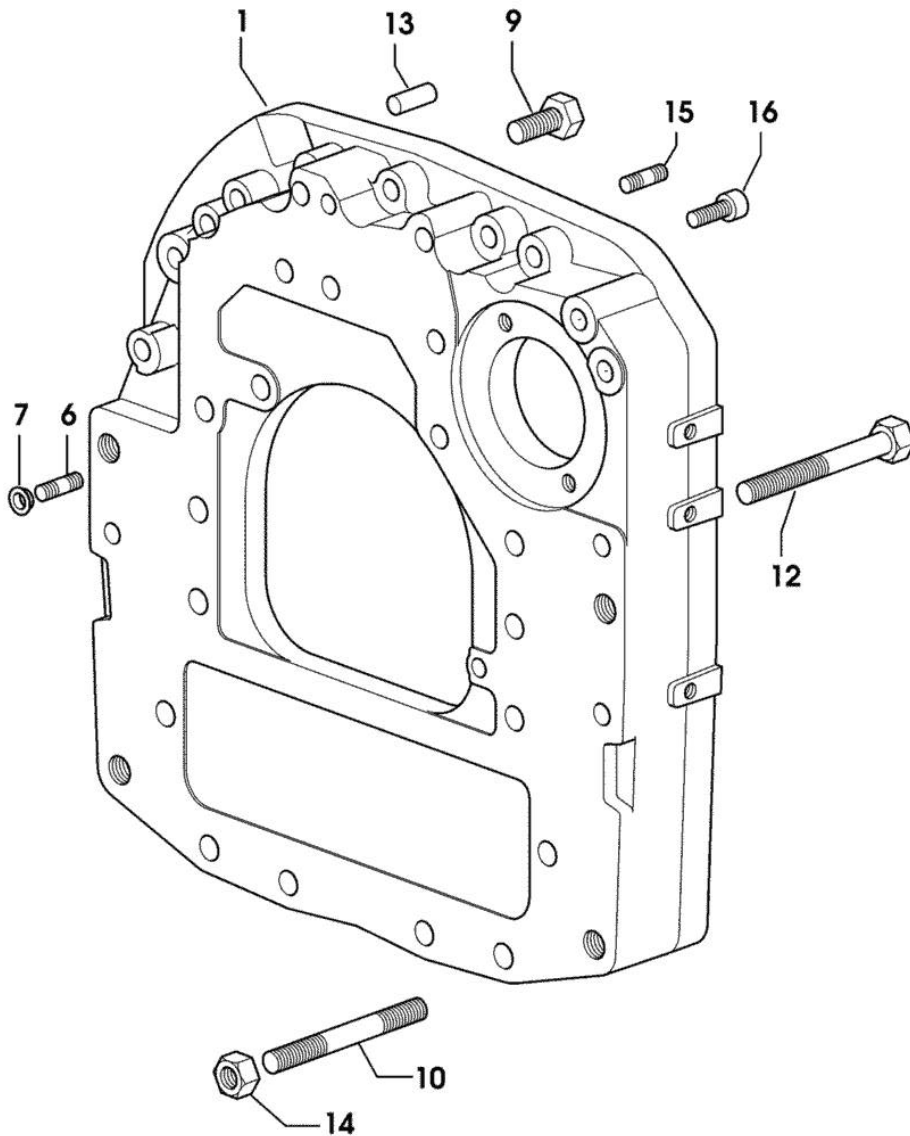


Fig.	P/n	QTY	Name
------	-----	-----	------

Notes:
 [RUBIN 120]

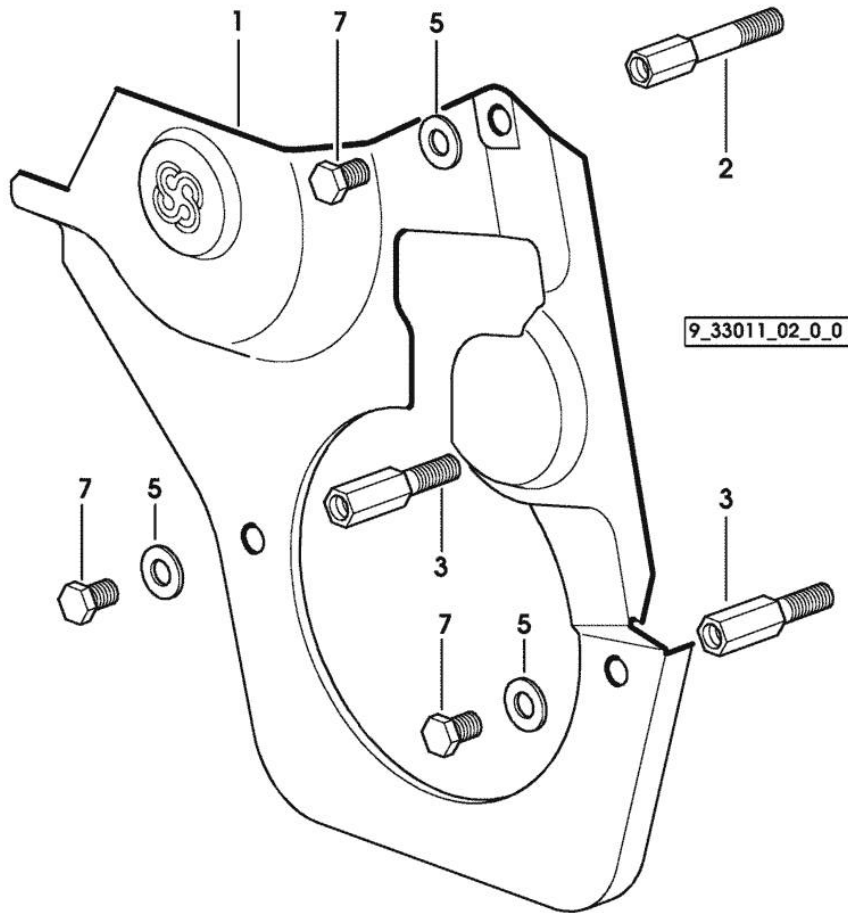
1	0.011.2000.0/20	1	flange
6	2.0439.250.7	1	stud bolt m 12 / m 10 x 30
7	0.011.9294.0/10	1	bush
9	2.0112.513.2	11	screw m 14 p.2 x 35
10	2.0432.328.7	4	stud bolt m 14 p.2-1.5x130
12	2.0112.534.2	2	screw m 14 p.2x125
13	2.1651.911.0	2	cylindrical plug
14	2.1011.108.2	4	nut m 14 p.2
15	2.0432.257.7	1	stud bolt m 12 p.1.75 - 1.25 x 30
16	2.0312.520.2	2	screw m 14 p.2x70

9_38411_01_0_0

Fig.	P/n	QTY	Name
------	-----	-----	------

Notes:
 [RUBIN 120]

1	0.007.1262.3/50	1	guard
2	0.007.1271.0/10	1	small column m 8 p.1.25 / L = mm 60
3	0.007.1272.0/10	2	small column m 8 p.1.25 / L = mm 50
5	2.1310.004.2	3	flat washer 8.4x17
7	2.0112.203.2	3	screw m 8 p.1.25 x 12



9_33611_01_0_0

RUBIN 120

Ref: 01.00.20

Section: ENGINE

TIMING CASE

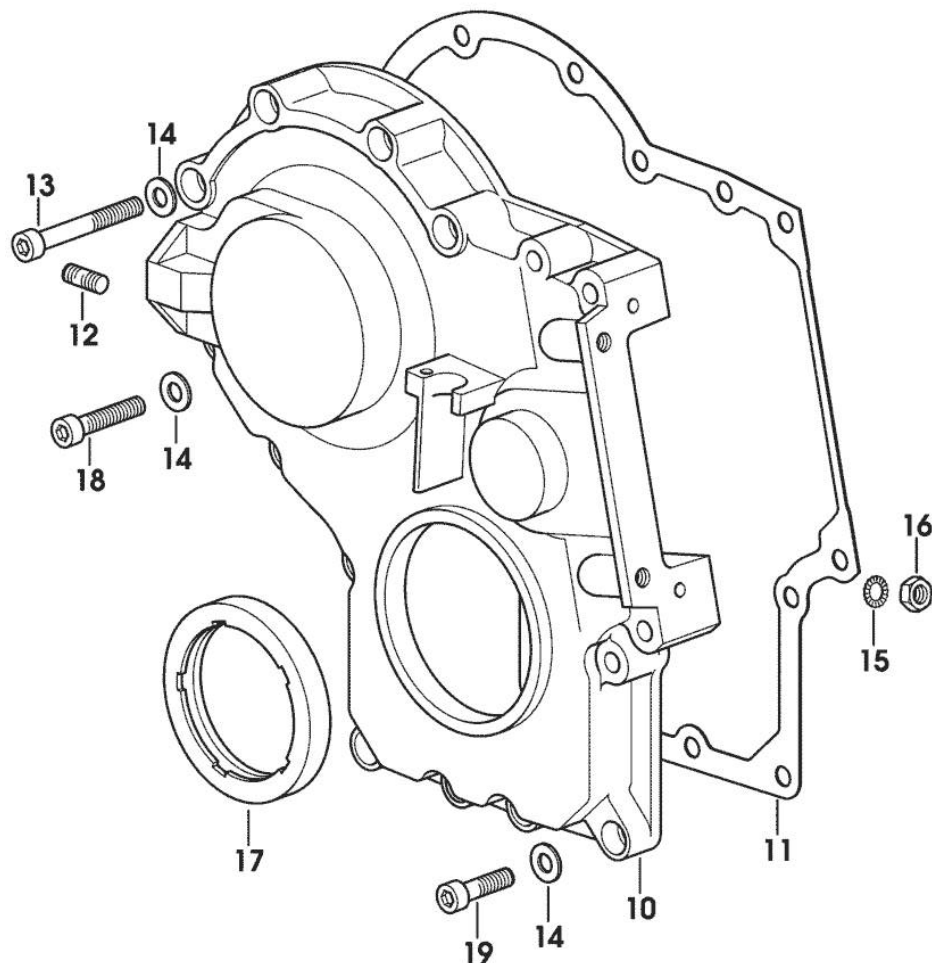


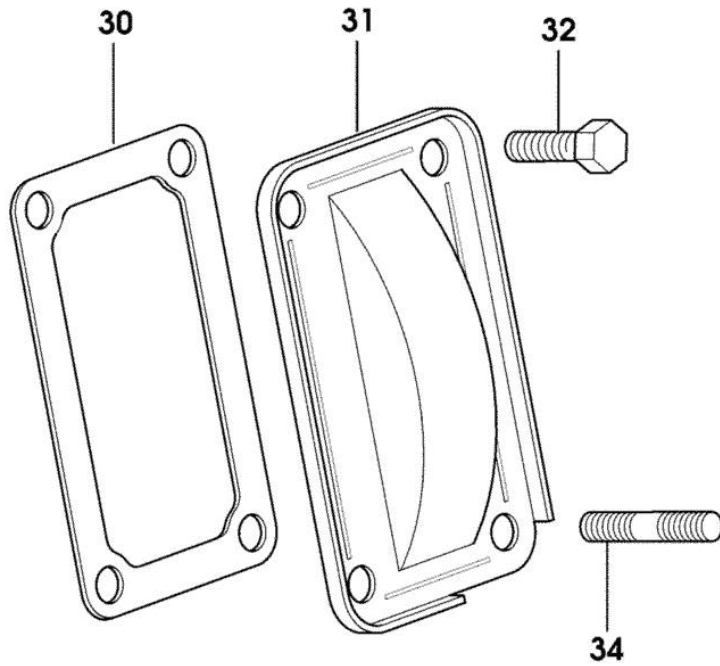
Fig.	P/n	QTY	Name
Notes:			
[RUBIN 120]			
10	0.013.4981.0	1	guard -> 1083 X RUBIN 120 -> 1197 X RUBIN 135 -> 1162 X RUBIN 150
10	0.065.1132.0/50	1	guard 1082 <- X RUBIN 120 1196 <- X RUBIN 135 1161 <- X RUBIN 150
11	0.065.1150.0/30	1	gasket
12	2.0432.003.7	2	stud bolt m 8 p.1.25 / p.1 x 20
13	2.0312.219.2	4	screw m 8 p.1.25x65
14	2.1480.014.1	15	washer 8
15	2.1470.004.2	4	lock washer 8
16	2.1011.405.2	2	nut m 8 p.1
17	2.1529.141.0	1	special oil seal
18	2.0312.214.2	3	screw m 8 p.1.25 x 40
19	2.0312.208.2	8	screw m 8 p.1.25 x 25

Section: ENGINE
CASING COVER

Fig.	P/n	QTY	Name
------	-----	-----	------

Notes:
 [RUBIN 120]

30	0.065.1152.0	1	gasket
31	0.065.1151.0	1	cover
32	2.0112.205.2	2	screw m 8 p.1.25 x 16
34	2.0432.005.7	2	stud bolt m 8 p.1.5 / p.1 x 25



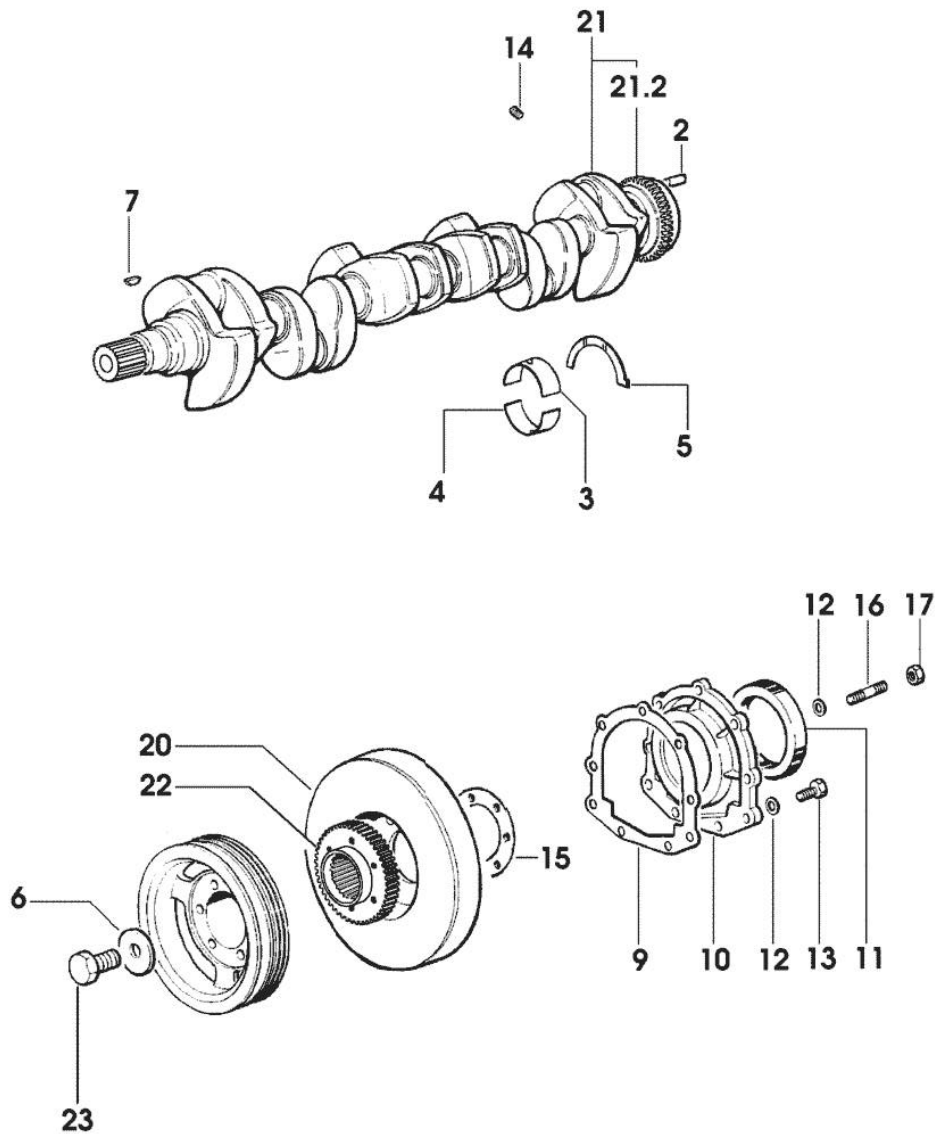
9_33011_04_0_0

Section: ENGINE
CRANKSHAFT

Fig.	P/n	QTY	Name
------	-----	-----	------

Notes:
 [RUBIN 120]

2	2.1651.915.0	1	pin 12x35
3	0.065.1215.0	7	main half bushing STANDARD
3	0.065.1215.7		main half bushing - mm 0.25
3	0.065.1215.8		main half bushing - mm 0.50
4	0.065.1216.0	7	main half bushing
4	0.065.1216.7		main half bushing - mm 0.25
4	0.065.1216.8		main half bushing - mm 0.50
5	0.065.1218.0	4	shim STANDARD
5	0.065.1218.7		shim + mm 0.10
5	0.065.1218.8		shim + mm 0.15
6	2.1599.524.7	1	washer 21x60x12
7	2.1720.006.0	1	key 4x6.5
9	0.065.1254.0/20	1	gasket
10	0.007.0851.0/10	1	cover
11	2.1529.073.0	1	special oil seal 110x130x13
12	2.1475.002.2	9	conical washer 8
13	2.0112.207.2	7	screw m 8 p 1.25 x 20
14	2.3130.001.1	6	plug 1/8" gas
15	2.1589.137.0	2	shoulder ring 71x110x1
16	2.0432.003.7	2	stud bolt m 8 p.1.25 / p.1 x 20
17	2.1011.105.2	2	nut m 8 p.1.25
20	0.009.3704.3	1	antivibration pulley
21	0.010.4320.3/20	1	crankshaft
21.2	0.007.0855.0/10	1	gear
22	0.011.2206.0/10	1	hub
23	2.0399.144.7/10	1	screw m 20 p.1.5x51



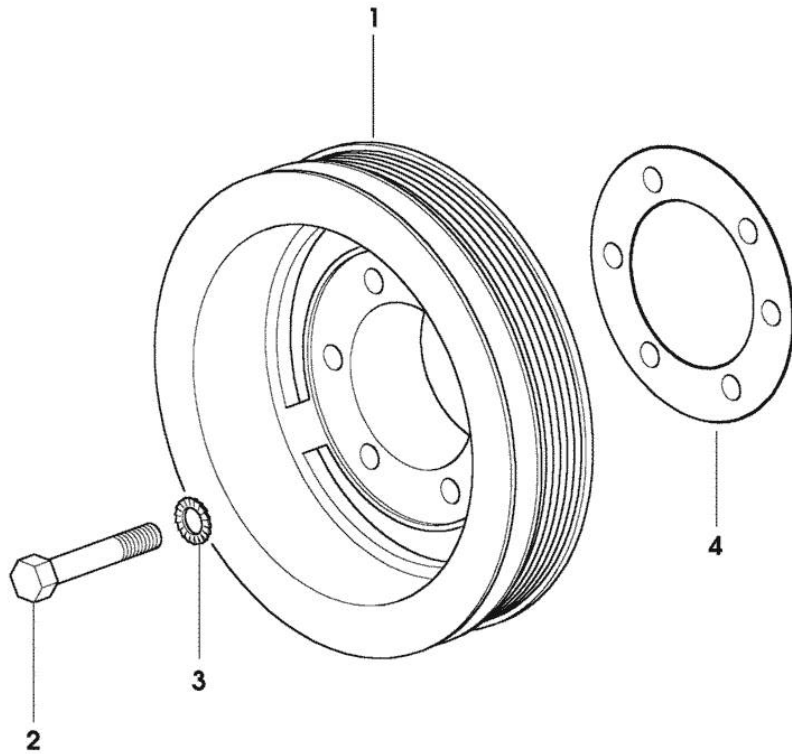
9_37912_00_0_0

CRANKSHAFT PULLEY

Fig.	P/n	QTY	Name
------	-----	-----	------

Notes:
[RUBIN 120]

1	0.010.5449.0/10	1	pulley
2	2.0112.322.2	6	screw m 10 p.1.5x65
3	2.1470.006.2	6	lock washer 10
4	2.1589.137.0	2	shoulder ring 71x110x1



9_38012_01_0_0

CYLINDER - PISTON - CONNECTING ROD

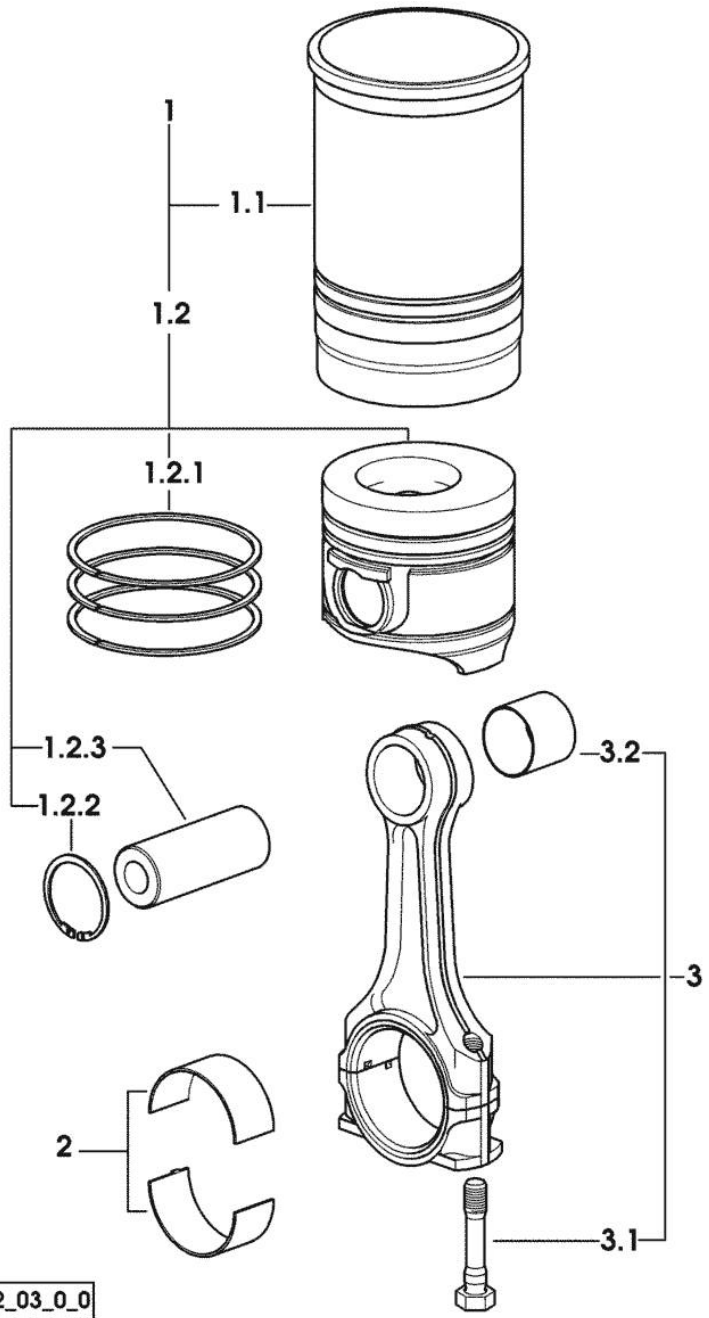


Fig.	P/n	QTY	Name
------	-----	-----	------

Notes:
[RUBIN 120]

1	0.386.0065.A	6	cyl. piston assembly "A" - CLASS A
1	0.386.0065.B	6	cyl. piston assembly "B" - CLASS B
1.1	0.011.0183.0/20	1	engine cylinder 7001 <= X RUBIN 120
1.1	0.A12.2675.0	1	engine cylinder "A" => 7002 X RUBIN 120 - CLASS A
1.1	0.B12.2675.0	1	engine cylinder "B" => 7002 X RUBIN 120 - CLASS B
1.2	0.379.0060.6	1	complete piston 7001 <= X RUBIN 120
1.2	0.379.0060.A	1	complete piston "A" => 7002 X RUBIN 120 - CLASS A
1.2	0.379.0060.B	1	complete piston "B" => 7002 X RUBIN 120 - CLASS B
1.2.1	0.086.0052.6/10	1	piston ring set
1.2.2	2.1411.014.1	2	circlip 35
1.2.3	0.078.1236.0	1	piston pin Ø 18 / Ø 35 / L = mm 86
2	0.065.1225.0	12	con.rod half bushing STANDARD - A = 28.75 -> 29.00
2	0.065.1225.7	12	con.rod half bushing - mm 0.25
2	0.065.1225.8	12	con.rod half bushing - mm 0.50
3	0.078.1220.3/30	6	engine connecting rod
3.1	2.0399.213.0	2	screw m 12 p.1.25x61.5
3.2	2.1559.114.0/10	1	special bushing

9_37912_03_0_0

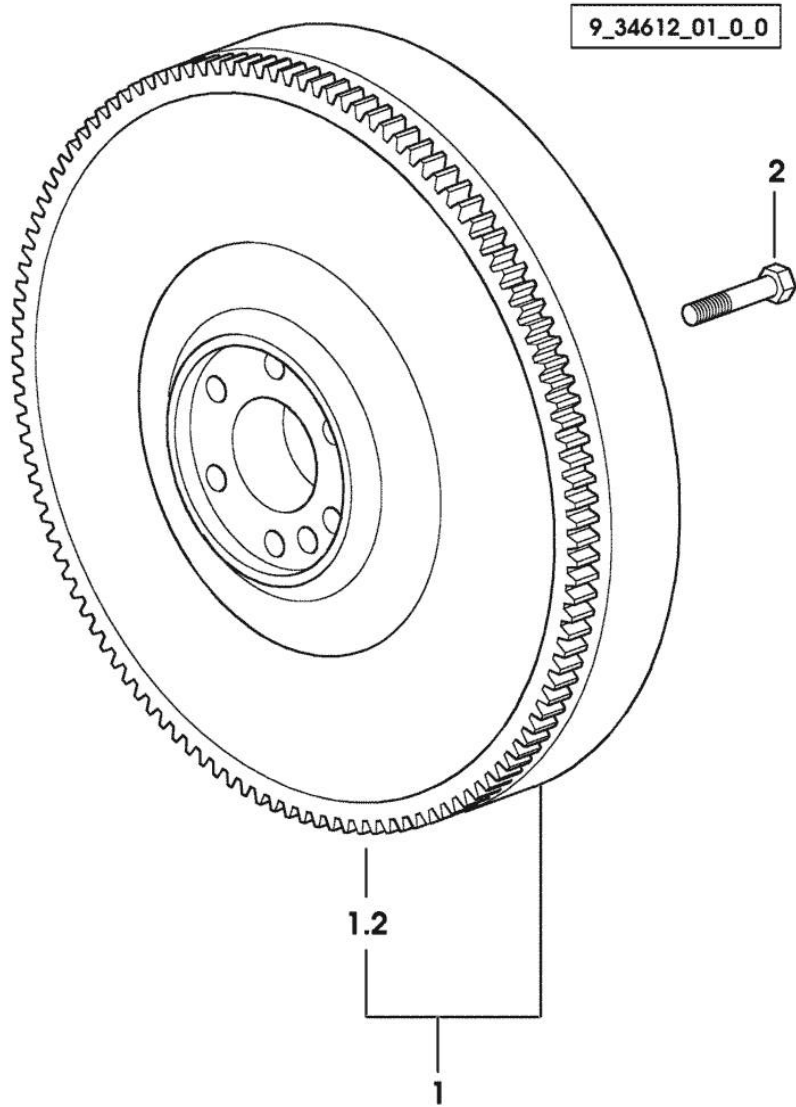
Section: ENGINE

ENGINE FLYWHEEL

Fig.	P/n	QTY	Name
------	-----	-----	------

Notes:
[RUBIN 120]

1	0.007.0655.3/20	1	flywheel
1.2	0.065.1242.0	1	crown wheel Z = 123
2	2.0119.174.0/10	6	screw m 12 p.1.25x45



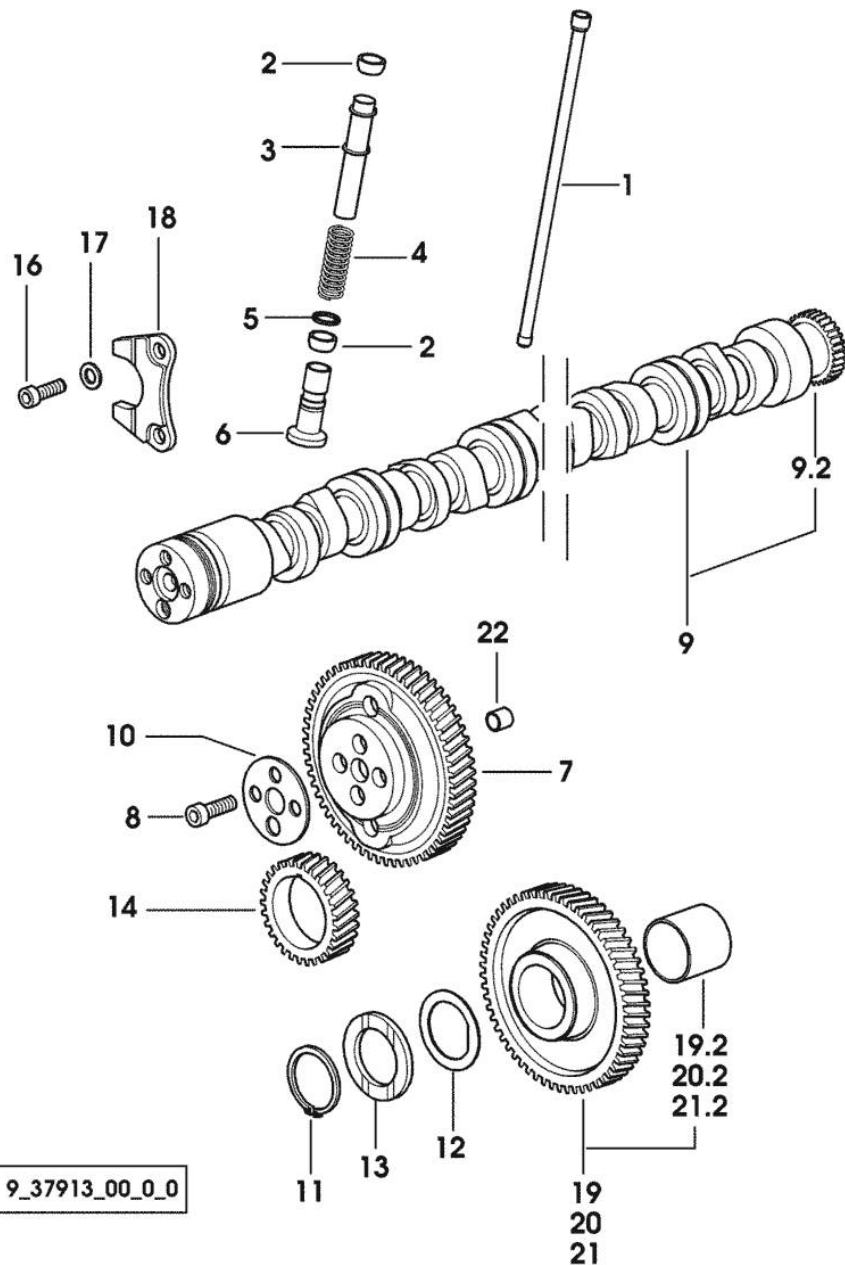
Section: ENGINE

CAMSHAFT

Fig.	P/n	QTY	Name
------	-----	-----	------

Notes:
[RUBIN 120]

1	0.065.1331.2	12	rod
2	2.1569.114.0/10	24	gasket 14x18.5x8
3	0.065.1332.0	12	sleeve
4	2.4019.300.1/10	12	spring 18.5x52x2
5	2.1599.437.0	12	shoulder ring
6	0.065.1330.0	12	tappets
7	0.065.1354.0/20	1	gear z=58
8	2.0132.207.2	4	screw m 10 p.1 x 25
9	0.010.4968.3/10	1	camshaft
9.2	0.065.1324.0/10	1	gear Z = 32
10	0.065.1350.0	1	small disc
11	2.1410.016.1	1	circlip 40
12	0.065.1352.0	1	shim
13	0.065.1351.0	2	shoulder ring
14	0.007.1188.0/30	1	gear Z = 29
16	2.0312.205.2	2	screw
17	2.1480.014.1	2	washer 8
18	0.065.1353.0	1	small plate
19	0.007.1177.3/20		gear z = 57
			- WITH RED IDENTIFICATION STAMP
19.2	2.1559.185.0/10	1	bushing
20	0.007.1178.3/20		gear z = 57
			- WITH YELLOW IDENTIFICATION STAMP
20.2	2.1559.185.0/10	1	bushing
21	0.007.1179.3/20	1	gear z = 57
			- WITH GREEN IDENTIFICATION STAMP
21.2	2.1559.185.0/10	1	bushing
22	2.1559.398.0	1	bushing 10.5x13x12
			-> (...) X RUBIN 120
			-> 1066 X RUBIN 135



Section: ENGINE
CYLINDER HEAD

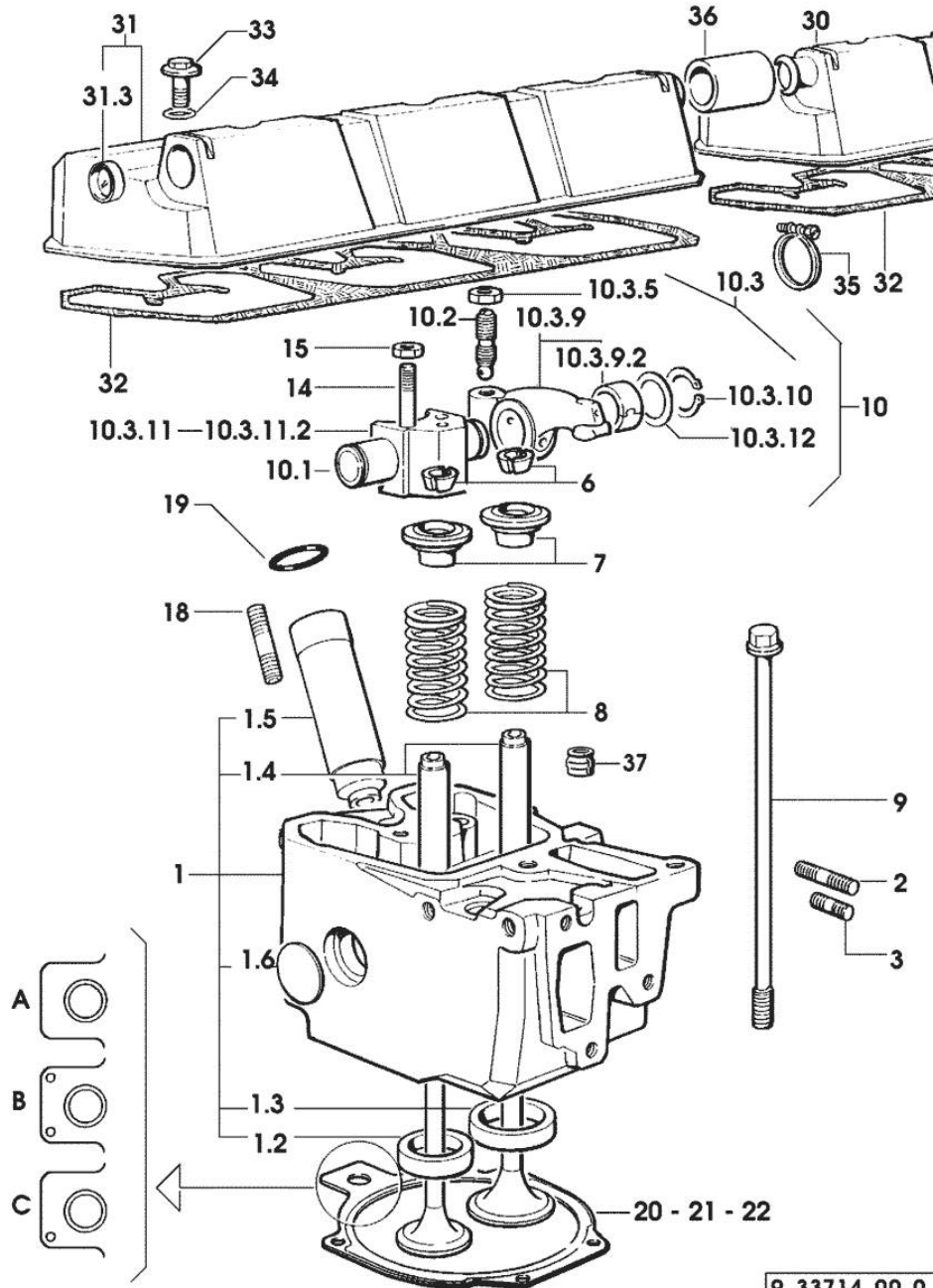


Fig.	P/n	QTY	Name
Notes: [RUBIN 120]			
1	0.012.2693.3/10	6	engine head
1.2	0.078.1426.0	1	valve seat
1.3	0.066.1427.0	1	valve seat
1.4	0.007.1779.0/10	2	valve guide
1.5	0.010.6041.0	1	bush
1.6	2.3170.012.1	2	expansion plug 30
2	2.0432.011.7	6	stud bolt m 8 p.1.25 / p.1 x 40
3	2.0432.005.7	6	stud bolt m 8 p.1.5 / p.1 x 25
6	0.074.1423.0	24	conical valve cotter
7	0.066.1425.0	12	cup
8	2.4019.287.0	12	spring
9	0.012.2673.0	24	screw m 14 p.2x141 -> 1161 X RUBIN 120
9	0.066.1443.0/10	24	screw 1160 <- X RUBIN 120 cannot be supplied
10	0.000.0000.1		cannot be supplied
10.1	0.066.1431.0	1	pin
10.2	0.021.1434.0	2	screw
10.3	0.000.0000.1		cannot be supplied
10.3.5	2.1011.405.2	2	nut m 8 p.1
10.3.9	0.066.1432.3	2	rocker arm
10.3.9.2	2.1559.021.0/40	1	bushing 15x19x22
10.3.10	2.1410.055.7	2	circlip 19
10.3.11	0.000.0000.1		cannot be supplied
10.3.11.2	0.066.1430.0/10	1	support
10.3.12	2.1599.432.0	2	shoulder ring
14	2.0432.163.7	6	stud bolt m 10 p.1.5 / p.1.25 x 45
15	2.1011.421.2	12	nut m 10 p.1.25
18	2.0432.161.7	6	stud bolt m 10 p.1.5 / p.1.25 x 40
19	2.1530.051.0	6	oil seal 20.22x3.53
20	0.078.1451.0/40		head gasket -A-
21	0.078.1452.0/30		head gasket -B-
22	0.078.1453.0/40		head gasket -C-
30	0.078.1450.3	1	cover 1193 <- X RUBIN 120
30	0.078.1450.3/10	1	cover -> 1194 X RUBIN 120
31	0.078.1440.3	1	cover 1193 <- X RUBIN 120
31	0.078.1440.3/10	1	cover -> 1194 X RUBIN 120

Section: ENGINE
CYLINDER HEAD

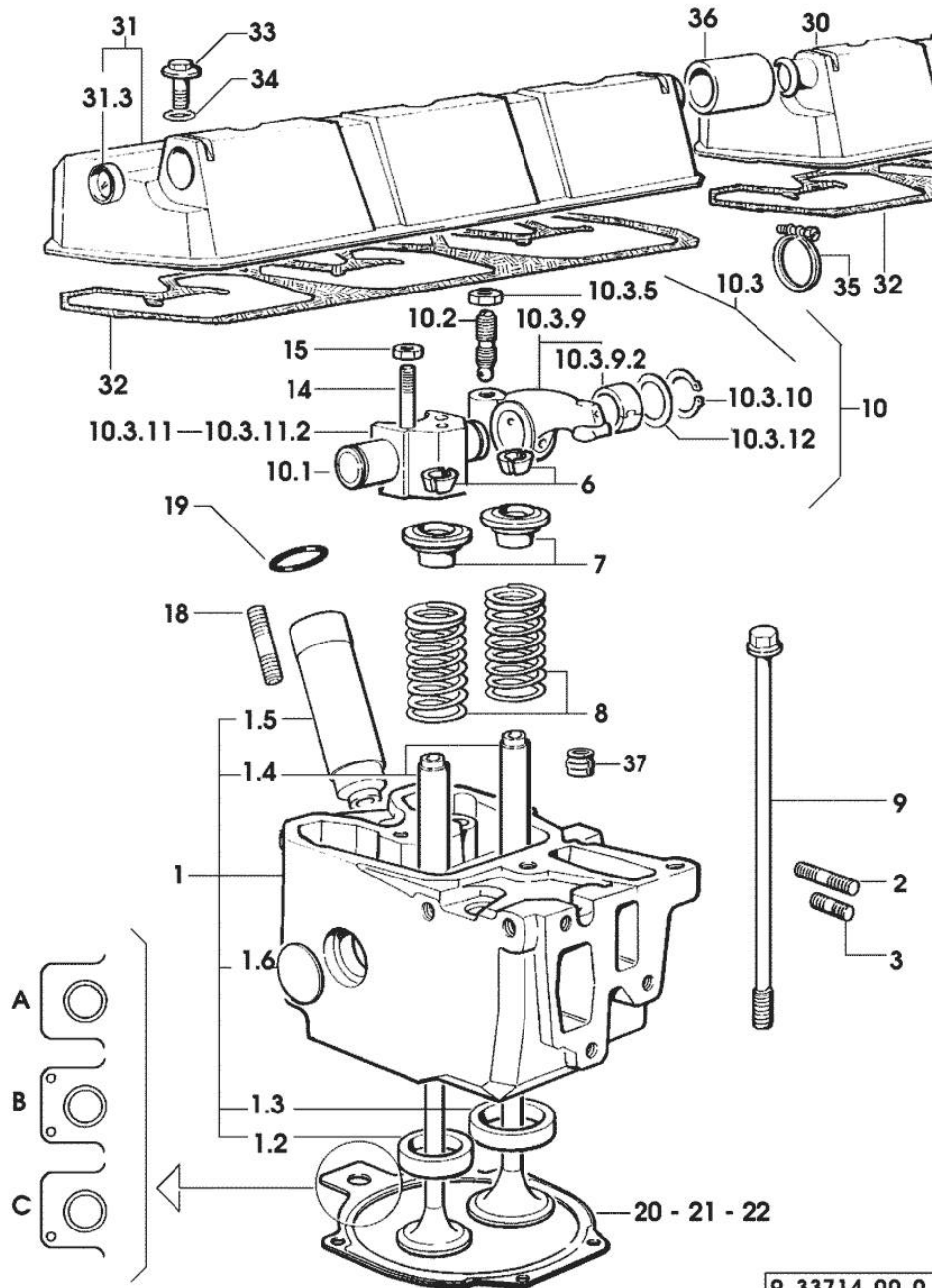


Fig.	P/n	QTY	Name
31.3	2.3171.008.4	1	plug 20
32	0.009.3877.0/10	2	tappet gasket
33	2.0399.288.2/10	6	screw m 8x36x46
34	2.1532.035.0	6	oil seal 14x1.78
34	2.1539.151.0	6	special oil seal 9.19 x 2.62 1189 <- X RUBIN 120 -> 1190 X RUBIN 120
35	2.6859.091.0	2	clamp
36	0.075.1452.0/10	1	sleeve
37	2.1519.117.0	12	special oil seal

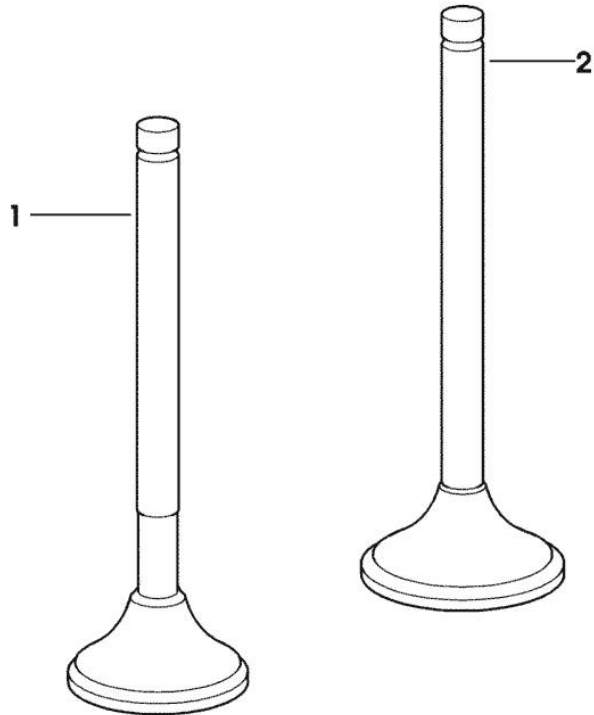
9_33714_00_0_0

INLET AND EXHAUST VALVES

Fig.	P/n	QTY	Name
------	-----	-----	------

Notes:
[RUBIN 120]

1	0.066.1421.0	6	exhaust valve
2	0.010.6016.0	6	inlet valve mm 43.63 / Ø mm 9



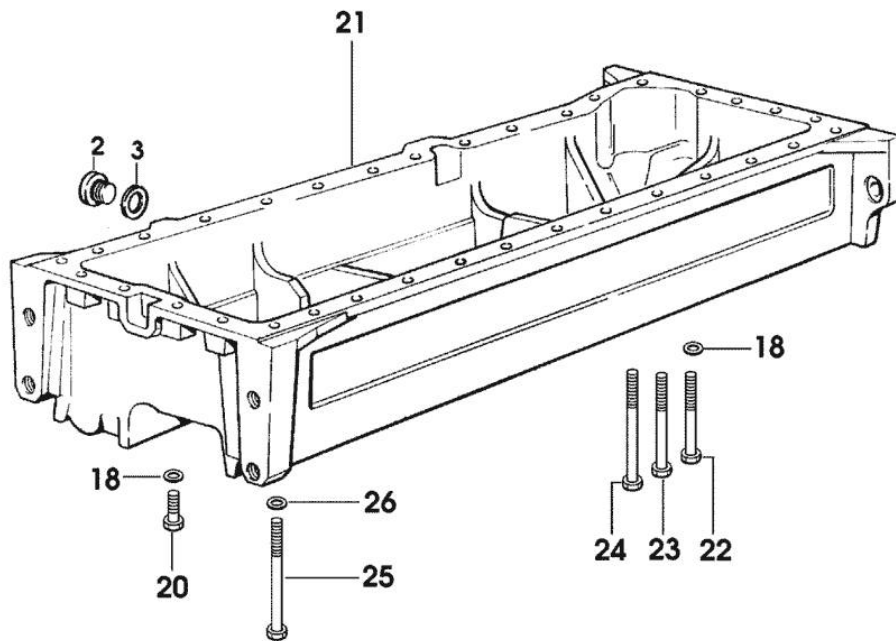
9_33614_01_0_0

OIL PAN - FOR TYPES WITHOUT SUSPENSION

Fig.	P/n	QTY	Name
------	-----	-----	------

Notes:
[RUBIN 120]

2	2.3199.001.2	2	plug 1/2" gas
3	2.1560.054.0	2	gasket 21 x 26
18	2.1470.004.2	34	lock washer 8
20	2.0112.215.2	25	screw m 8 p.1.25 x 40
21	0.010.9107.0/20	1	oil sump
22	2.0112.229.2	3	screw m 8 p.1.25 x 100
23	2.0112.235.2	2	screw m 8 p.1.25 x 130
24	2.0112.241.2	2	screw m 8 p.1.25 x 160
25	2.0112.243.2	2	screw m 8 p.1.25x170
26	2.1579.854.2	2	spacer 8.5x20x5



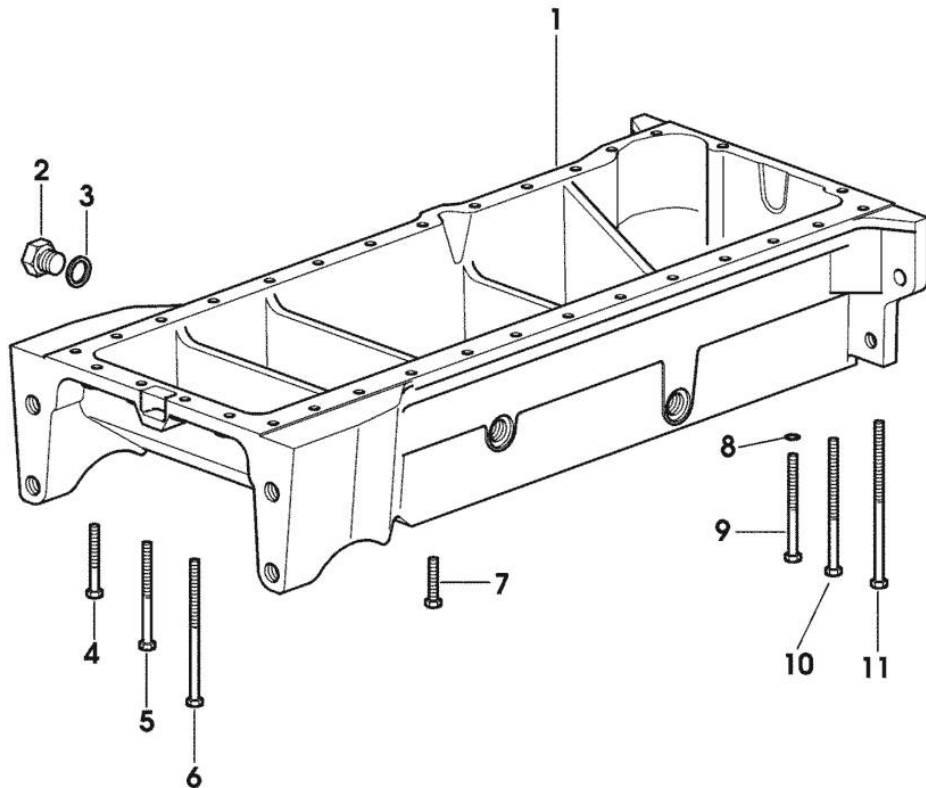
9_38415_02_0_0

OIL PAN - FOR TYPES WITH FRONT SUSPENSION

Fig.	P/n	QTY	Name
------	-----	-----	------

Notes:
[RUBIN 120]

1	0.010.9125.0/20	1	oil sump
2	2.3199.001.2	3	plug 1/2" gas
3	2.1560.054.0	3	gasket 21 x 26
4	2.0112.222.2	2	screw m 8 p.1.25x65
5	2.0112.229.2	2	screw m 8 p.1.25 x 100
6	2.0112.237.2	2	screw m 8 p.1.25x140
7	2.0112.215.2	21	screw m 8 p.1.25 x 40
8	2.1470.004.2	34	lock washer 8
9	2.0112.229.2	3	screw m 8 p.1.25 x 100
10	2.0112.235.2	2	screw m 8 p.1.25 x 130
11	2.0112.241.2	2	screw m 8 p.1.25 x 160



9_38415_03_0_0

Section: ENGINE
LUBRICATION

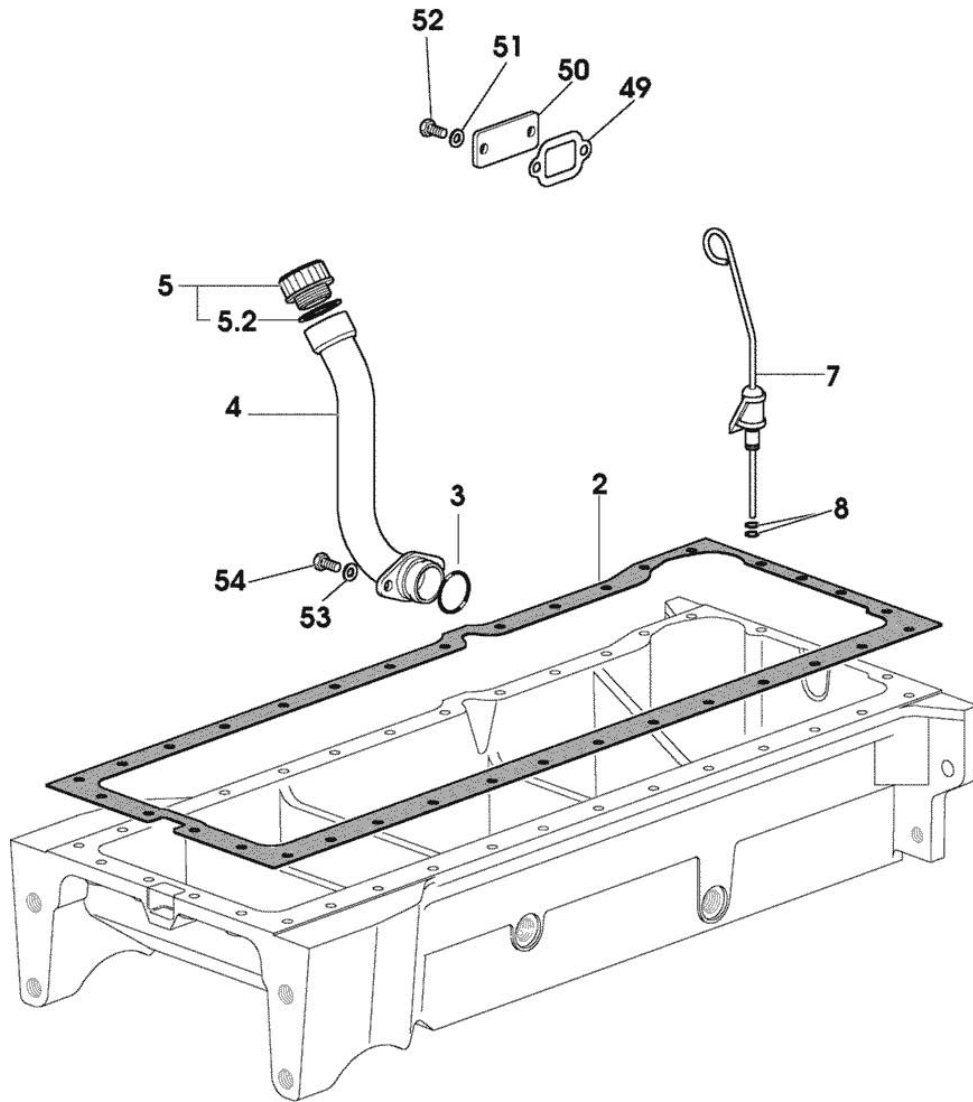


Fig.	P/n	QTY	Name
------	-----	-----	------

Notes:
[RUBIN 120]

2	0.007.0849.0/10	1	gasket
3	2.1531.091.0	1	oil seal 34.60 x 2.62
4	0.010.9099.3	1	tube
5	0.041.1135.4	1	plug 1" gas
5.2	2.1569.072.0	1	gasket 32 x 39.5 x 2
7	0.010.9103.2	1	dipstick
8	2.1539.065.0	2	special oil seal 8.73 x 1.78
49	0.010.9185.0	1	gasket
50	0.010.9104.0	1	plate
51	2.1310.004.2	2	flat washer 8.4x17
52	2.0112.205.2	2	screw m 8 p.1.25 x 16
53	2.1480.014.2	2	washer 8
54	2.0312.204.2	2	screw m 8 p.1.25 x 16

9_38415_01_0_C

40/44

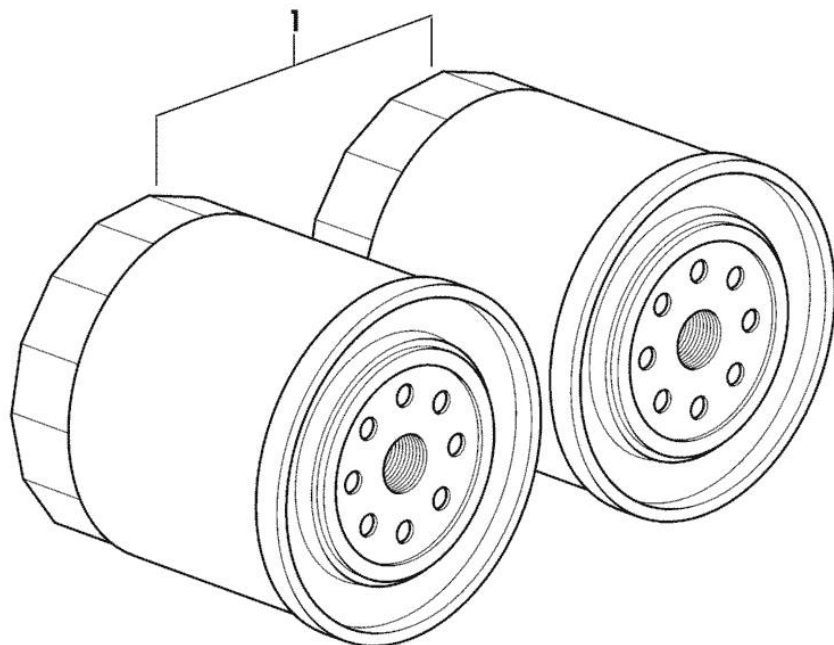
Section: ENGINE

OIL FILTERS

Fig.	P/n	QTY	Name
------	-----	-----	------

Notes:
[RUBIN 120]

1	2.4419.340.0	2	oil filter element
---	--------------	---	--------------------



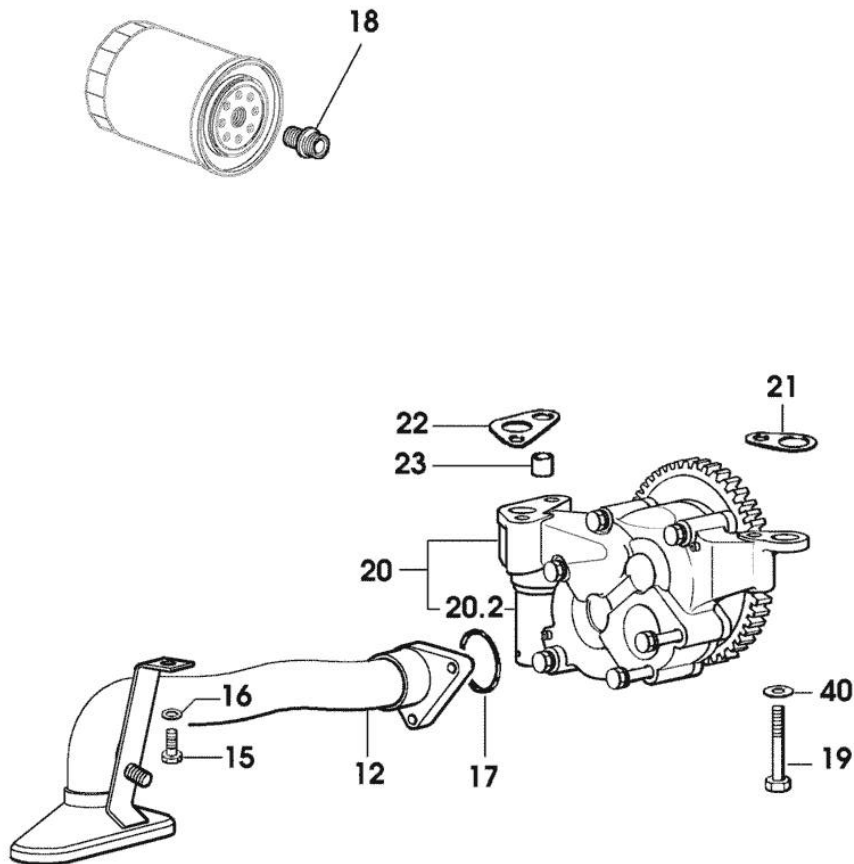
9_33815_02_0_0

Section: ENGINE
LUBRICATION

Fig.	P/n	QTY	Name
------	-----	-----	------

Notes:
 [RUBIN 120]

12	0.011.0087.4	1	tube
15	2.0112.205.2	1	screw m 8 p.1.25 x 16
16	2.1470.004.2	1	lock washer 8
17	2.1539.153.0	1	oil seal 32.99x2.6
18	2.3339.307.0	2	pipe fitting m 22 p.1.5-3/4"
19	2.0112.322.2	3	screw m 10 p.1.5x65
20	0.010.0194.4/20	1	oil pump
20.2	0.007.0866.3	1	valve
21	0.007.0972.0	5	shim
22	0.007.0973.0	5	shim
23	0.007.0867.0	1	bush
40	2.1310.006.2	3	flat washer 10.5x21



9_38415_01_0_A

Section: ENGINE
LUBRICATION

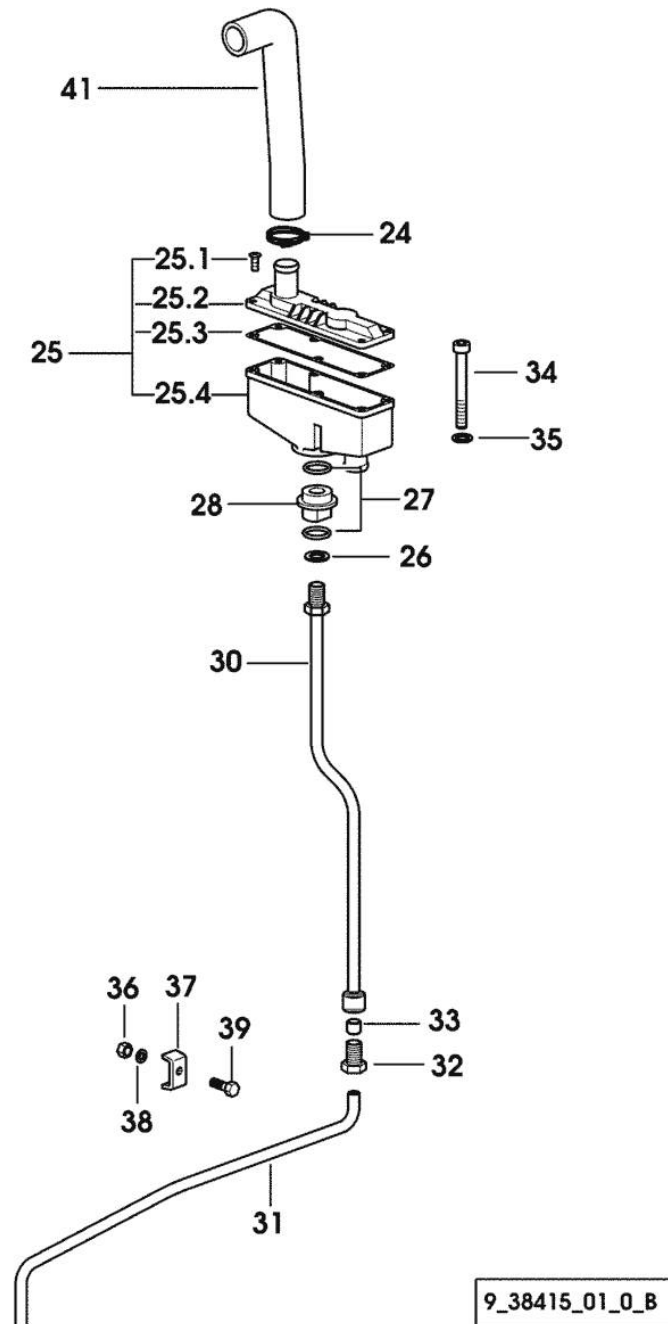


Fig.	P/n	QTY	Name
------	-----	-----	------

Notes:
[RUBIN 120]

24	2.6859.086.0	2	clamp
25	0.075.1557.4	1	sediment bowl
25.1	2.0351.203.6	4	screw 3.5x9.5
25.2	0.000.0000.1		cannot be supplied
25.3	0.075.1559.0	1	gasket
25.4	0.000.0000.1		cannot be supplied
26	2.1560.008.0	1	gasket 12.2 x 18
27	2.1539.072.0	2	special oil seal 23.52 x 1.78
28	0.075.1553.0	1	bush
30	0.007.0861.0	1	tube
31	0.007.0970.0	1	tube
32	2.3339.418.1	1	pipe fitting m 12 p.1
33	2.3350.003.1	1	nosepiece 8
34	2.0312.221.2	2	screw m 8 p.1.25x75
35	2.1480.014.1	2	washer 8
36	2.1011.103.2	1	nut m 6 p.1
37	0.002.8816.0	1	small plate
38	2.1310.002.2	1	flat washer 6.4x12.5
39	2.0112.007.2	1	screw m 6 p.1 x 20
41	0.075.1453.0/10	1	tube

9_38415_01_0_B

Thank you so much for reading.
Please click the “Buy Now!”
button below to download the
complete manual.



After you pay.

You can download the most
perfect and complete manual in
the world immediately.

Our support email:

ebooklibonline@outlook.com