

Section: ENGINE
CRANKCASE

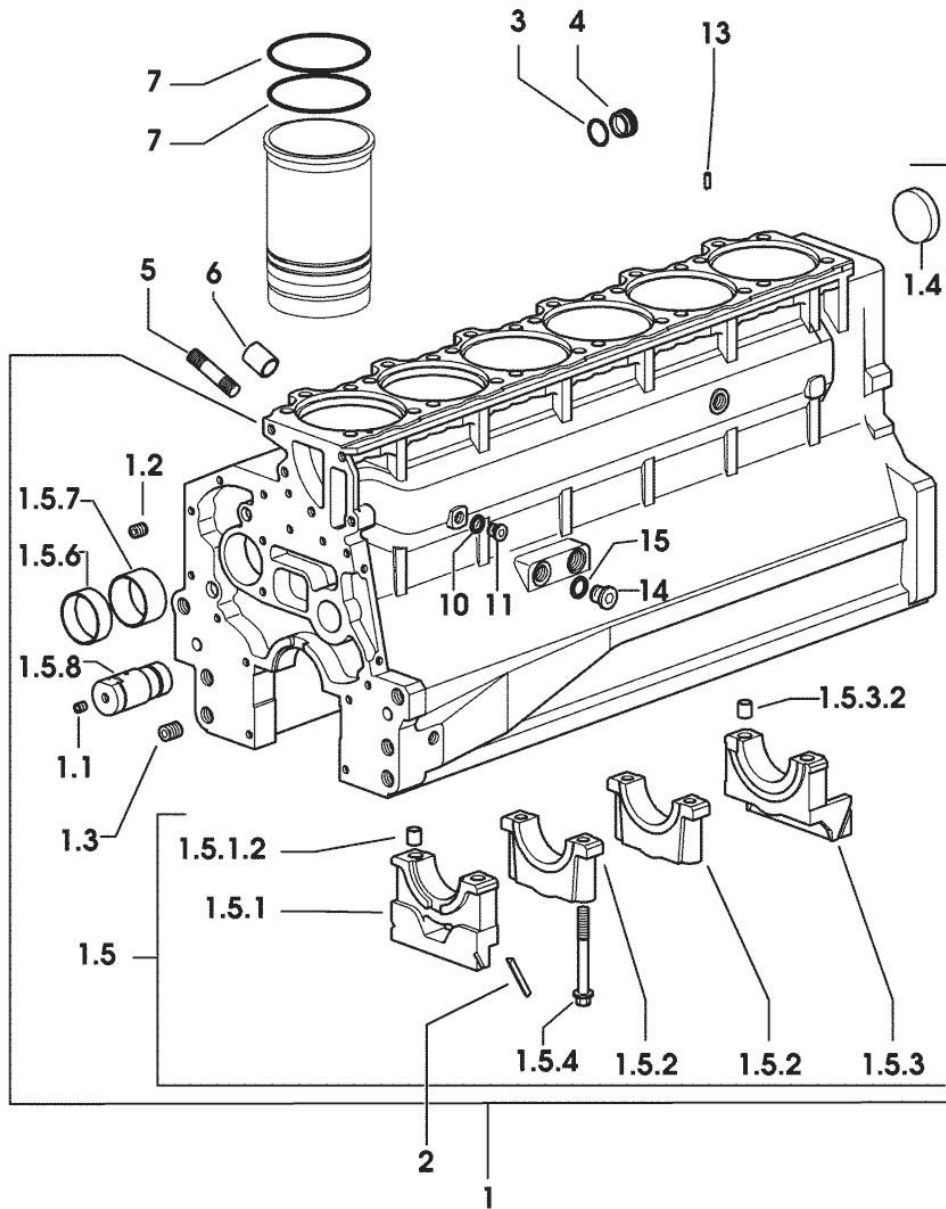


Fig.	P/n	QTY	Name
------	-----	-----	------

Notes:
 [RUBIN 160]

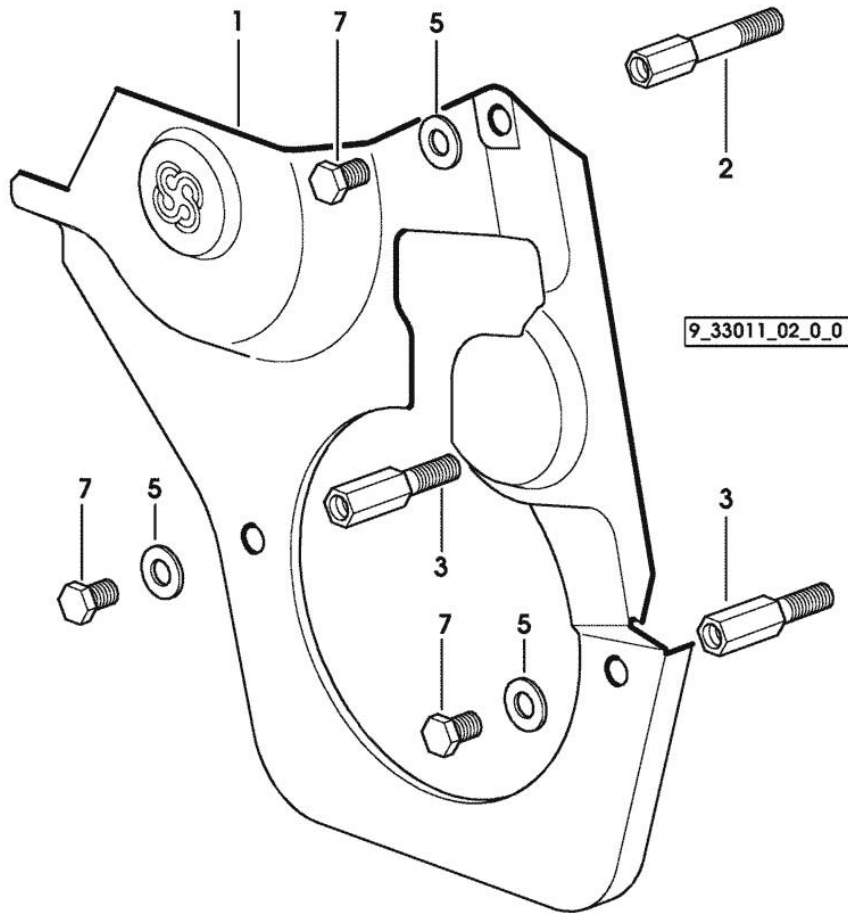
1	0.007.1102.6/20	1	crankcase
1.1	2.3130.001.1	14	plug 1/8" gas
1.2	2.3130.002.1	2	plug 1/4" gas
1.3	2.3130.003.1	8	plug 3/8" gas
1.4	2.3179.012.0	1	plug 60
1.5	0.000.0000.1		cannot be supplied
1.5.1	0.065.1112.7	1	support
1.5.1.2	2.1699.165.0	1	bush 12.3x15x16
1.5.2	0.065.1114.0/10	5	support
1.5.3	0.007.0848.3/10	1	support
1.5.3.2	2.1699.165.0	1	bush 12.3x15x16
1.5.4	0.065.1117.0	14	screw m 12 x 100
1.5.6	0.065.1140.0	6	special bushing 59X55X20
1.5.7	0.065.1141.0	1	special bushing 59X55X30
1.5.8	0.066.1151.0	1	pin
2	0.066.1152.0/10	4	gasket
3	2.1532.072.0	1	oil seal 26.70x1.78
4	2.3199.405.2	1	plug m 28 p.1.5
5	2.0432.003.7	18	stud bolt m 8 p.1.25 / p.1 x 20
6	2.1559.188.2	6	bush 11.4 x 14 x16
7	2.1539.193.0	12	special oil seal 107.62x2.62
10	2.1560.010.0	1	gasket 14.2 x 20
11	2.3199.292.0	1	plug 1/4" gas
13	2.1549.154.2	6	bush 4.8x5.8x16
14	2.3120.101.0	1	plug m 18 p.1.5
15	2.1560.014.0	1	washer 18.2 x 24

9_01311_00_0_0

Fig.	P/n	QTY	Name
------	-----	-----	------

Notes:
 [RUBIN 160]

1	0.007.1262.3/50	1	guard
2	0.007.1271.0/10	1	small column m 8 p.1.25 / L = mm 60
3	0.007.1272.0/10	2	small column m 8 p.1.25 / L = mm 50
5	2.1310.004.2	3	flat washer 8.4x17
7	2.0112.203.2	3	screw m 8 p.1.25 x 12



9_33611_01_0_0

RUBIN 160

Ref: 01.00.8

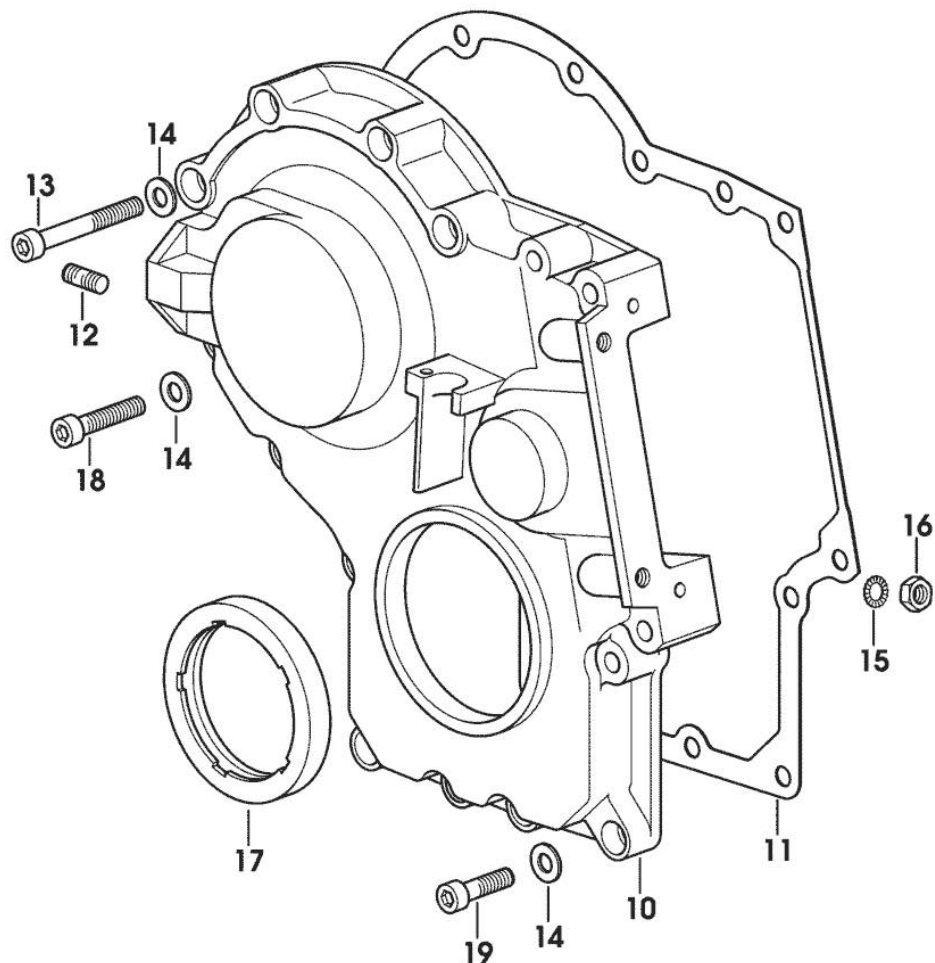
Section: ENGINE

TIMING CASE

Fig.	P/n	QTY	Name
------	-----	-----	------

Notes:
[RUBIN 160]

10	0.013.4981.0	1	guard
11	0.065.1150.0/30	1	gasket
12	2.0432.003.7	2	stud bolt m 8 p.1.25 / p.1 x 20
13	2.0312.219.2	4	screw m 8 p.1.25x65
14	2.1480.014.1	15	washer 8
15	2.1470.004.2	4	lock washer 8
16	2.1011.405.2	2	nut m 8 p.1
17	2.1529.141.0	1	special oil seal
18	2.0312.214.2	3	screw m 8 p.1.25 x 40
19	2.0312.208.2	8	screw m 8 p.1.25 x 25

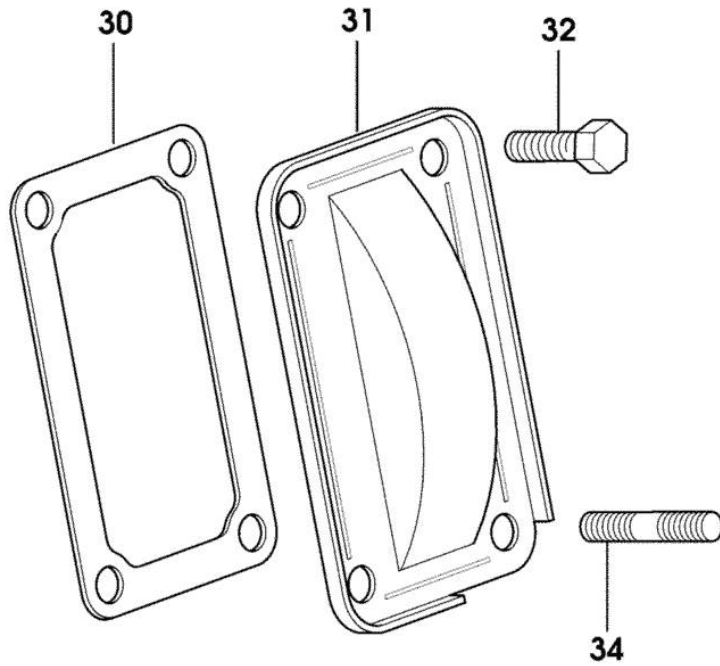


Section: ENGINE
CASING COVER

Fig.	P/n	QTY	Name
------	-----	-----	------

Notes:
 [RUBIN 160]

30	0.065.1152.0	1	gasket
31	0.065.1151.0	1	cover
32	2.0112.205.2	2	screw m 8 p.1.25 x 16
34	2.0432.005.7	2	stud bolt m 8 p.1.5 / p.1 x 25



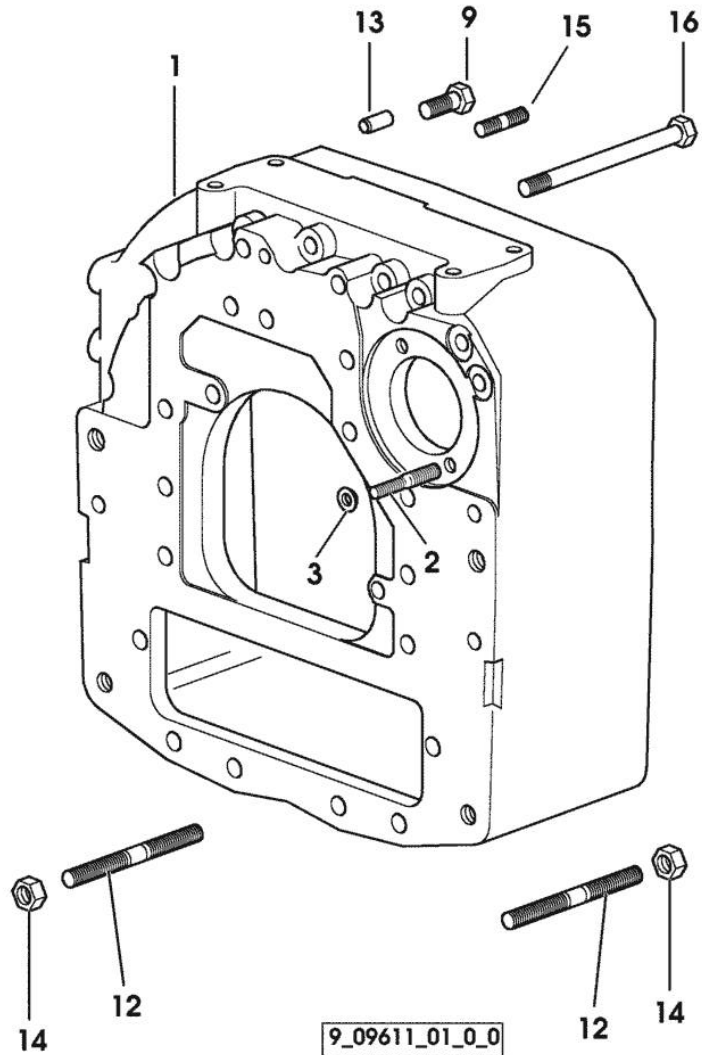
9_33011_04_0_0

CONNECTING FLANGE

Fig.	P/n	QTY	Name
------	-----	-----	------

Notes:
[RUBIN 160]

1	0.011.4451.0	1	flange
2	2.0439.250.7	1	stud bolt m 12 / m 10 x 30
3	0.011.9294.0/10	1	bush
9	2.0112.513.2	11	screw m 14 p.2 x 35
12	2.0439.240.2/10	6	stud bolt m 14x225
13	2.1651.911.0	2	cylindrical plug
14	2.1011.408.2	6	nut m 14 p.1.5
15	2.0432.257.7	1	stud bolt m 12 p.1.75 - 1.25 x 30
16	2.0399.277.2	2	screw m 14 p.2x175

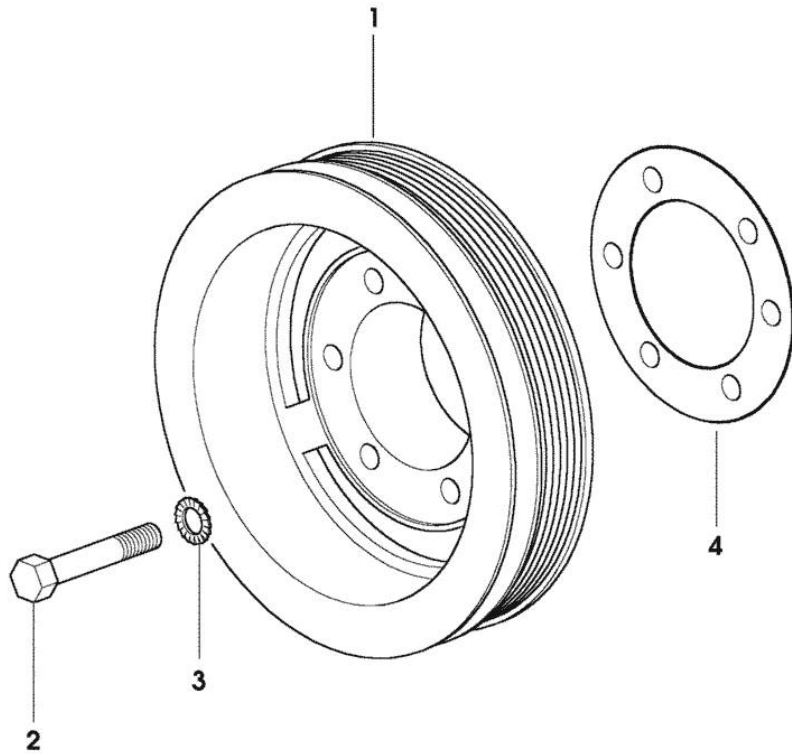


CRANKSHAFT PULLEY

Fig.	P/n	QTY	Name
------	-----	-----	------

Notes:
[RUBIN 160]

1	0.010.5449.0/10	1	pulley
2	2.0112.322.2	6	screw m 10 p.1.5x65
3	2.1470.006.2	6	lock washer 10
4	2.1589.137.0	2	shoulder ring 71x110x1



9_38012_01_0_0

Section: ENGINE

CYLINDER - PISTON - CONNECTING ROD

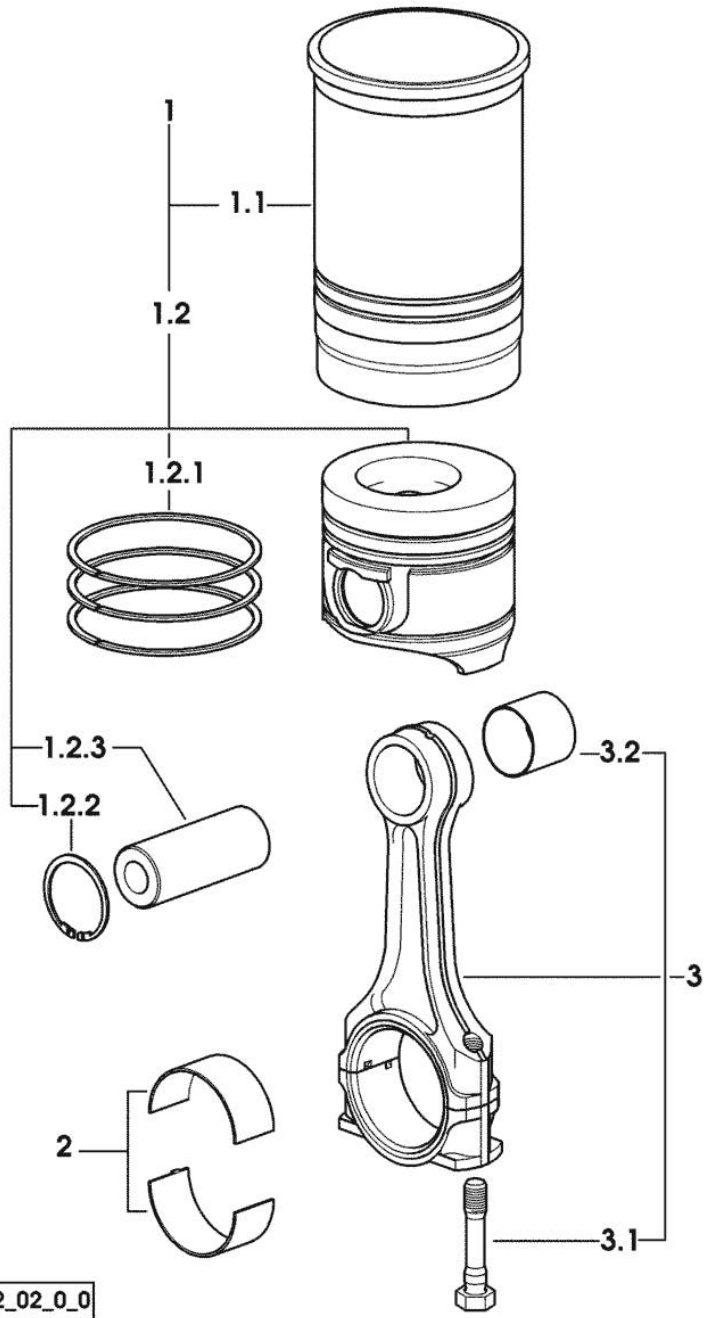


Fig.	P/n	QTY	Name
------	-----	-----	------

Notes:
[RUBIN 160]

1	0.384.0065.A	6	cyl. piston assembly "A" - CLASS A
1	0.384.0065.B	6	cyl. piston assembly "B" - CLASS B
1.1	0.A12.2675.0	1	engine cylinder "A" - CLASS A
1.1	0.B12.2675.0	1	engine cylinder "B" - CLASS B
1.2	0.383.0060.A	1	complete piston "A" - CLASS A
1.2	0.383.0060.B	1	complete piston "B" - CLASS B
1.2.1	0.338.0052.6/20	1	piston ring set
1.2.2	2.1411.014.1	2	circlip 35
1.2.3	0.078.1236.0	1	piston pin Ø 18 / Ø 35 / L = mm 86
2	0.065.1225.0	12	con.rod half bushing STANDARD - A = 28.75 -> 29.00
2	0.065.1225.7	12	con.rod half bushing - mm 0.25
2	0.065.1225.8	12	con.rod half bushing - mm 0.50
3	0.007.1395.3/20	6	engine connecting rod
3.1	2.0399.213.0	2	screw m 12 p.1.25x61.5
3.2	2.1559.255.0	1	special bushing 34.60x39.130x34.65

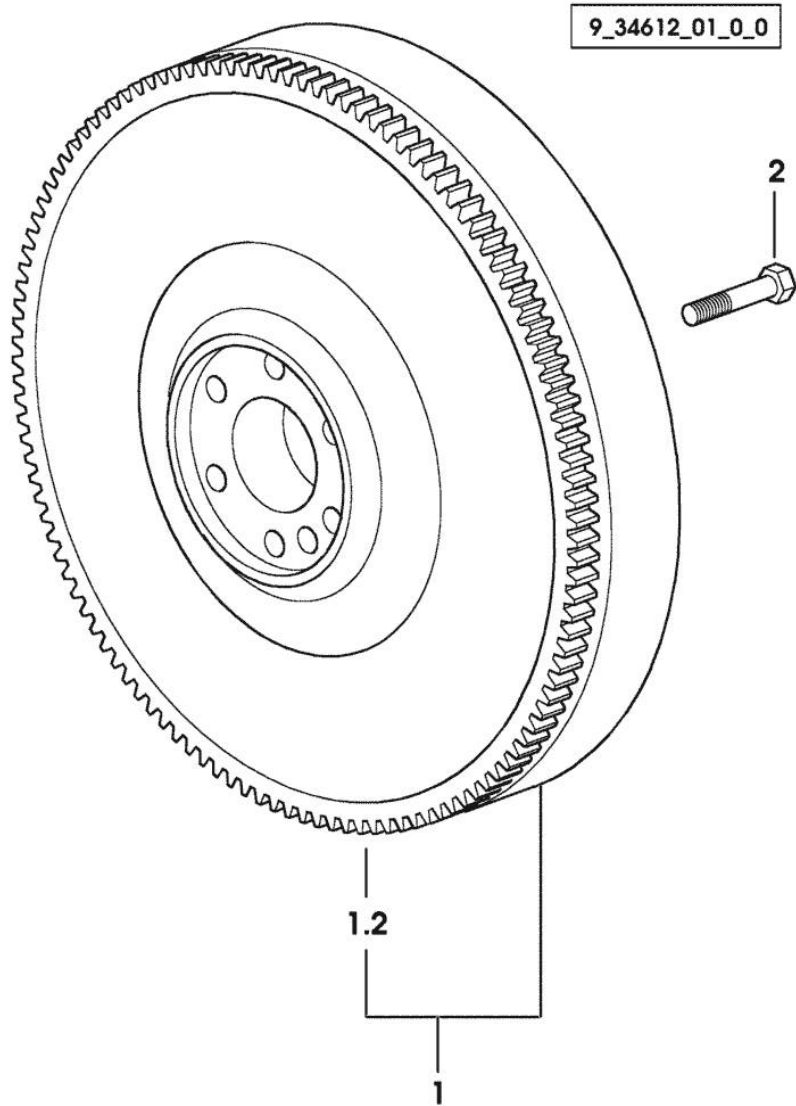
9_38312_02_0_0

ENGINE FLYWHEEL

Fig.	P/n	QTY	Name
------	-----	-----	------

Notes:
[RUBIN 160]

1	0.007.0655.3/20	1	flywheel
1.2	0.065.1242.0	1	crown wheel Z = 123
2	2.0119.174.0/10	6	screw m 12 p.1.25x45



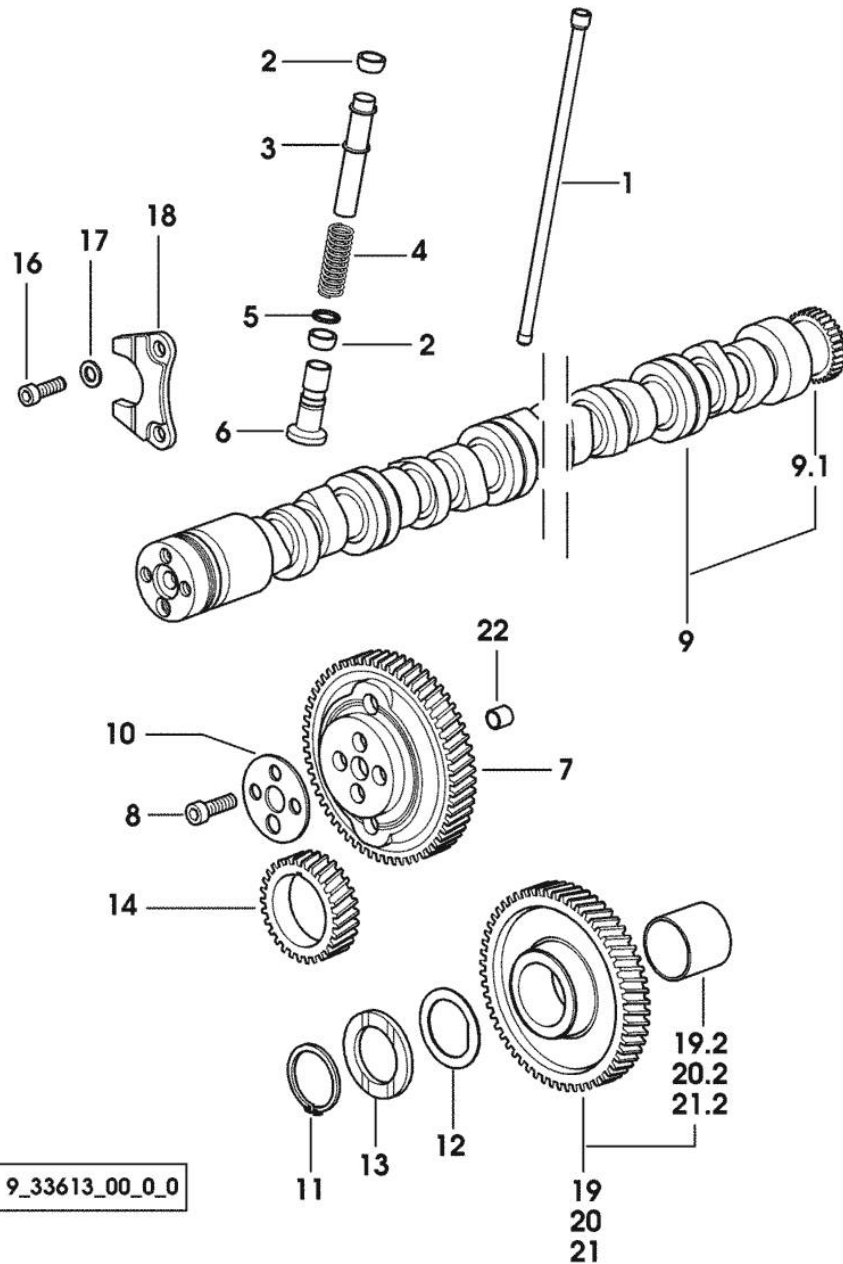
Section: ENGINE

CAMSHAFT

Fig.	P/n	QTY	Name
------	-----	-----	------

Notes:
[RUBIN 160]

1	0.065.1331.2	12	rod
2	2.1569.114.0/10	24	gasket 14x18.5x8
3	0.065.1332.0	12	sleeve
4	2.4019.300.1/10	12	spring 18.5x52x2
5	2.1599.437.0	12	shoulder ring
6	0.065.1330.0	12	tappets
7	0.065.1354.0/20	1	gear z=58
8	2.0132.207.2	4	screw m 10 p.1 x 25
9	0.075.1310.3/30	1	camshaft
9.1	0.065.1324.0/10	1	gear Z = 32
10	0.065.1350.0	1	small disc
11	2.1410.016.1	1	circlip 40
12	0.065.1352.0	1	shim
13	0.065.1351.0	2	shoulder ring
14	0.007.1188.0/30	1	gear Z = 29
16	2.0312.205.2	2	screw
17	2.1480.014.1	2	washer 8
18	0.065.1353.0	1	small plate
19	0.007.1177.3/20		gear z = 57
			- WITH RED IDENTIFICATION STAMP
19.2	2.1559.185.0/10	1	bushing
20	0.007.1178.3/20		gear z = 57
			- WITH YELLOW IDENTIFICATION STAMP
20.2	2.1559.185.0/10	1	bushing
21	0.007.1179.3/20	1	gear z = 57
			- WITH GREEN IDENTIFICATION STAMP
21.2	2.1559.185.0/10	1	bushing
22	2.1559.398.0	1	bushing 10.5x13x12



Section: ENGINE
CYLINDER HEAD

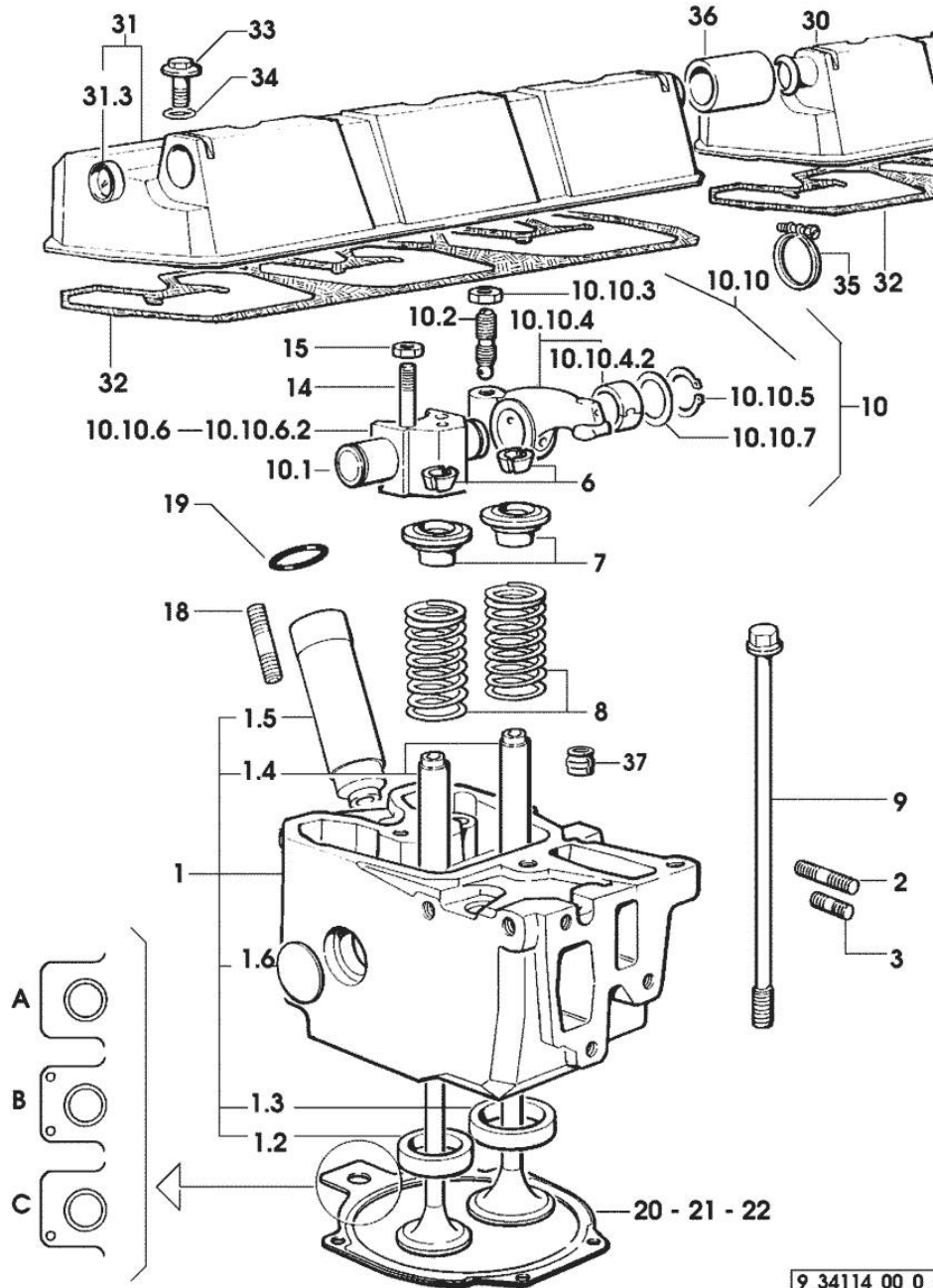


Fig.	P/n	QTY	Name
------	-----	-----	------

Notes:
[RUBIN 160]

1	0.007.1360.3/60	6	head
1.2	0.078.1426.0	1	valve seat
1.3	0.066.1427.0	1	valve seat
1.4	0.007.1779.0/10	2	valve guide
1.5	0.010.6041.0	1	bush
1.6	2.3170.012.1	2	expansion plug 30
2	2.0432.011.7	6	stud bolt m 8 p.1.25 / p.1 x 40
3	2.0432.005.7	6	stud bolt m 8 p.1.5 / p.1 x 25
6	0.074.1423.0	24	conical valve cotter
7	0.066.1425.0	12	cup
8	2.4019.287.0	12	spring
9	0.012.2673.0	24	screw m 14 p.2x141 -> 1033 X RUBIN 160 -> 1053 X RUBIN 180 => 1056 X RUBIN 200
9	0.066.1443.0/10	24	screw 1032 <- X RUBIN 160 1052 <- X RUBIN 180 1055 <= X RUBIN 200
10	0.000.0000.1		cannot be supplied -> 1074 X RUBIN 160 -> 1155 X RUBIN 180 X RUBIN 200
10.1	0.066.1431.0	1	pin
10.2	0.021.1434.0	2	screw
10.10	0.000.0000.1		cannot be supplied
10.10.3	2.1011.405.2	2	nut m 8 p.1
10.10.4	0.066.1432.3	2	rocker arm
10.10.4.2	2.1559.021.0/40	1	bushing 15x19x22
10.10.5	2.1410.055.7	2	circlip 19
10.10.6	0.000.0000.1		cannot be supplied
10.10.6.2	0.066.1430.0/10	1	support
10.10.7	2.1599.432.0	2	shoulder ring
14	2.0432.163.7	6	stud bolt m 10 p.1.5 / p.1.25 x 45
15	2.1011.421.2	12	nut m 10 p.1.25
18	2.0432.161.7	6	stud bolt m 10 p.1.5 / p.1.25 x 40
19	2.1530.051.0	6	oil seal 20.22x3.53
20	0.078.1451.0/40		head gasket -A-
21	0.078.1452.0/30		head gasket -B-
22	0.078.1453.0/40		head gasket -C-
30	0.078.1450.3	1	cover

Section: ENGINE
CYLINDER HEAD

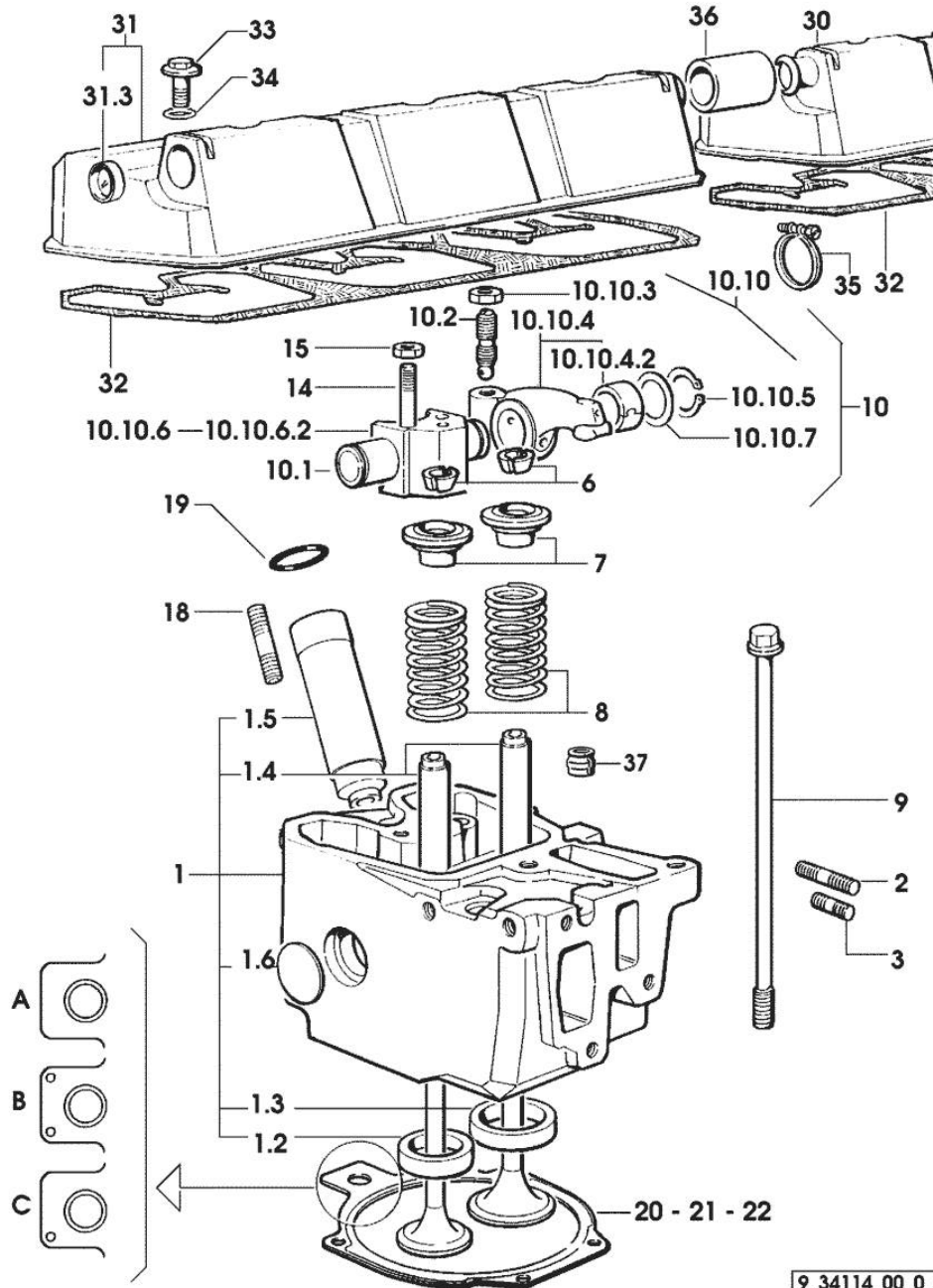


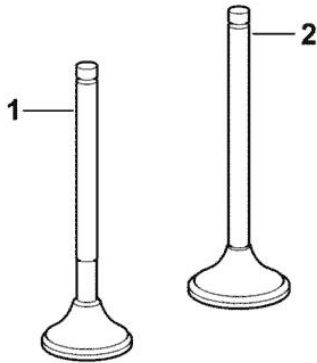
Fig.	P/n	QTY	Name
			1072 <= X RUBIN 160 1193 <= X RUBIN 180 1095 <- X RUBIN 200
30	0.078.1450.3/10	1	cover => 1073 X RUBIN 160 => 1194 X RUBIN 180 -> 1096 X RUBIN 200
31	0.078.1440.3	1	cover 1072 <= X RUBIN 160 1193 <= X RUBIN 180 1095 <- X RUBIN 200
31	0.078.1440.3/10	1	cover => 1073 X RUBIN 160 => 1194 X RUBIN 180 -> 1096 X RUBIN 200
31.3	2.3171.008.4	1	plug 20
32	0.009.3877.0/10	2	tappet gasket
33	2.0399.130.2/10	6	screw m 8x36x44 1072 <= X RUBIN 160 1193 <= X RUBIN 180 1095 <- X RUBIN 200
33	2.0399.288.2/10	6	screw m 8x36x46 => 1073 X RUBIN 160 => 1194 X RUBIN 180 -> 1096 X RUBIN 200
34	2.1532.035.0	6	oil seal 14x1.78 1072 <= X RUBIN 160 1193 <= X RUBIN 180 1095 <- X RUBIN 200
34	2.1539.151.0	6	special oil seal 9.19 x 2.62 => 1073 X RUBIN 160 => 1194 X RUBIN 180 -> 1096 X RUBIN 200
35	2.6859.091.0	2	clamp
36	0.075.1452.0/10	1	sleeve
37	2.1519.117.0	12	special oil seal

INLET AND EXHAUST VALVES

Fig.	P/n	QTY	Name
------	-----	-----	------

Notes:
[RUBIN 160]

1	0.007.1147.0/10	6	exhaust valve mm 39.1 / Ø mm 9
2	0.007.1146.0/10	6	inlet valve mm 43.63 / Ø mm 9

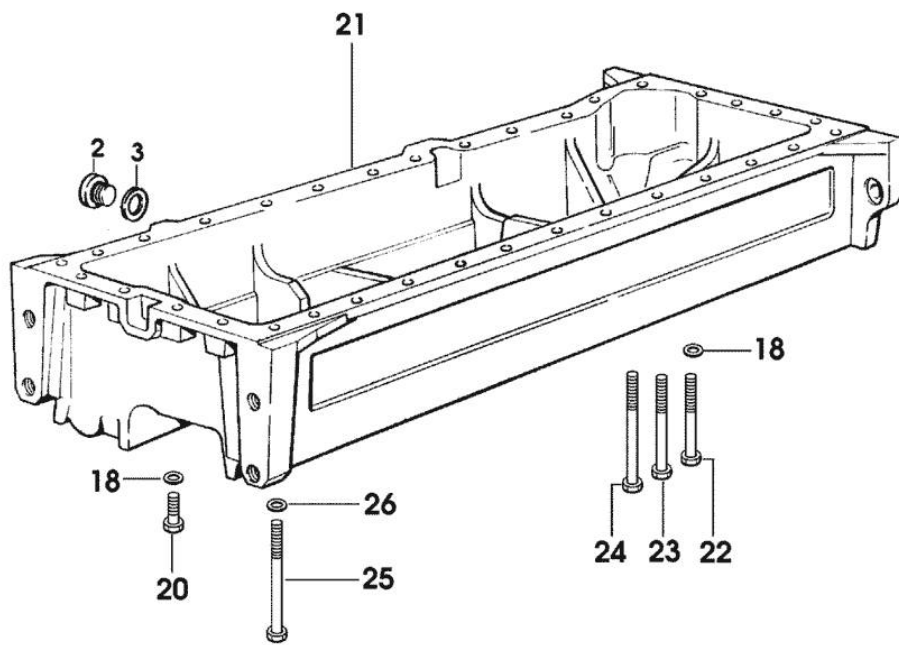


OIL PAN - FOR TYPES WITHOUT SUSPENSION

Fig.	P/n	QTY	Name
------	-----	-----	------

Notes:
[RUBIN 160]

2	2.3199.001.2	2	plug 1/2" gas
3	2.1560.054.0	2	gasket 21 x 26
18	2.1470.004.2	34	lock washer 8
20	2.0112.215.2	25	screw m 8 p.1.25 x 40
21	0.010.9107.0/20	1	oil sump
22	2.0112.229.2	3	screw m 8 p.1.25 x 100
23	2.0112.235.2	2	screw m 8 p.1.25 x 130
24	2.0112.241.2	2	screw m 8 p.1.25 x 160
25	2.0112.243.2	2	screw m 8 p.1.25x170
26	2.1579.854.2	2	spacer 8.5x20x5



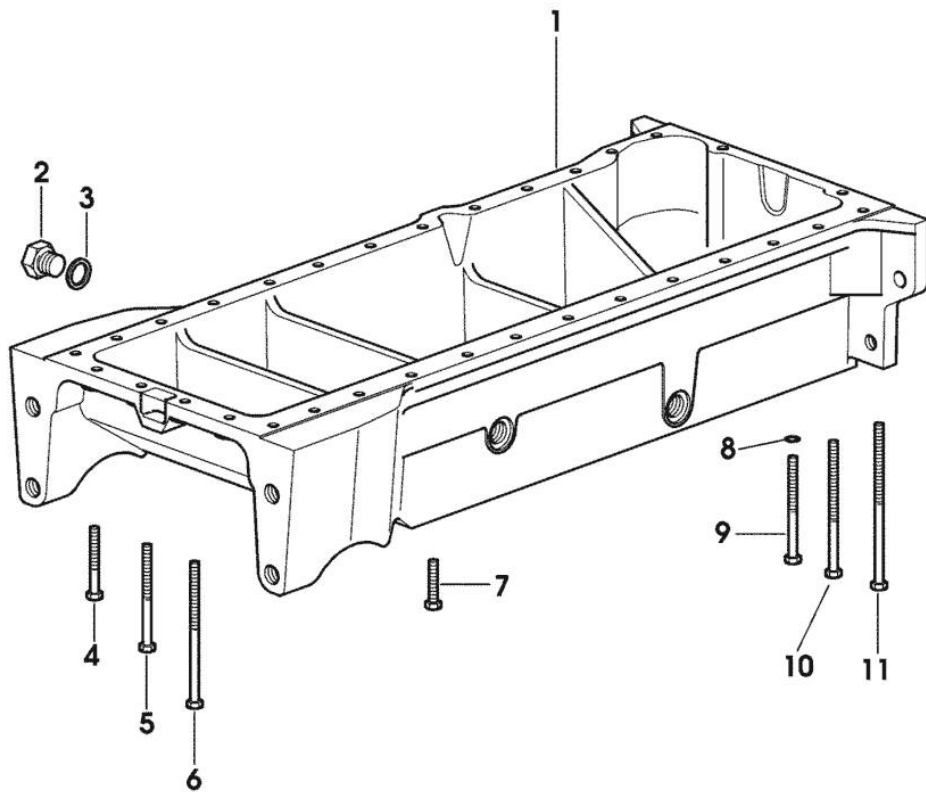
9_38415_02_0_0

OIL PAN - FOR TYPES WITH FRONT SUSPENSION

Fig.	P/n	QTY	Name
------	-----	-----	------

Notes:
[RUBIN 160]

1	0.010.9125.0/20	1	oil sump
2	2.3199.001.2	3	plug 1/2" gas
3	2.1560.054.0	3	gasket 21 x 26
4	2.0112.222.2	2	screw m 8 p.1.25x65
5	2.0112.229.2	2	screw m 8 p.1.25 x 100
6	2.0112.237.2	2	screw m 8 p.1.25x140
7	2.0112.215.2	21	screw m 8 p.1.25 x 40
8	2.1470.004.2	34	lock washer 8
9	2.0112.229.2	3	screw m 8 p.1.25 x 100
10	2.0112.235.2	2	screw m 8 p.1.25 x 130
11	2.0112.241.2	2	screw m 8 p.1.25 x 160



9_38415_03_0_0

Section: ENGINE
LUBRICATION

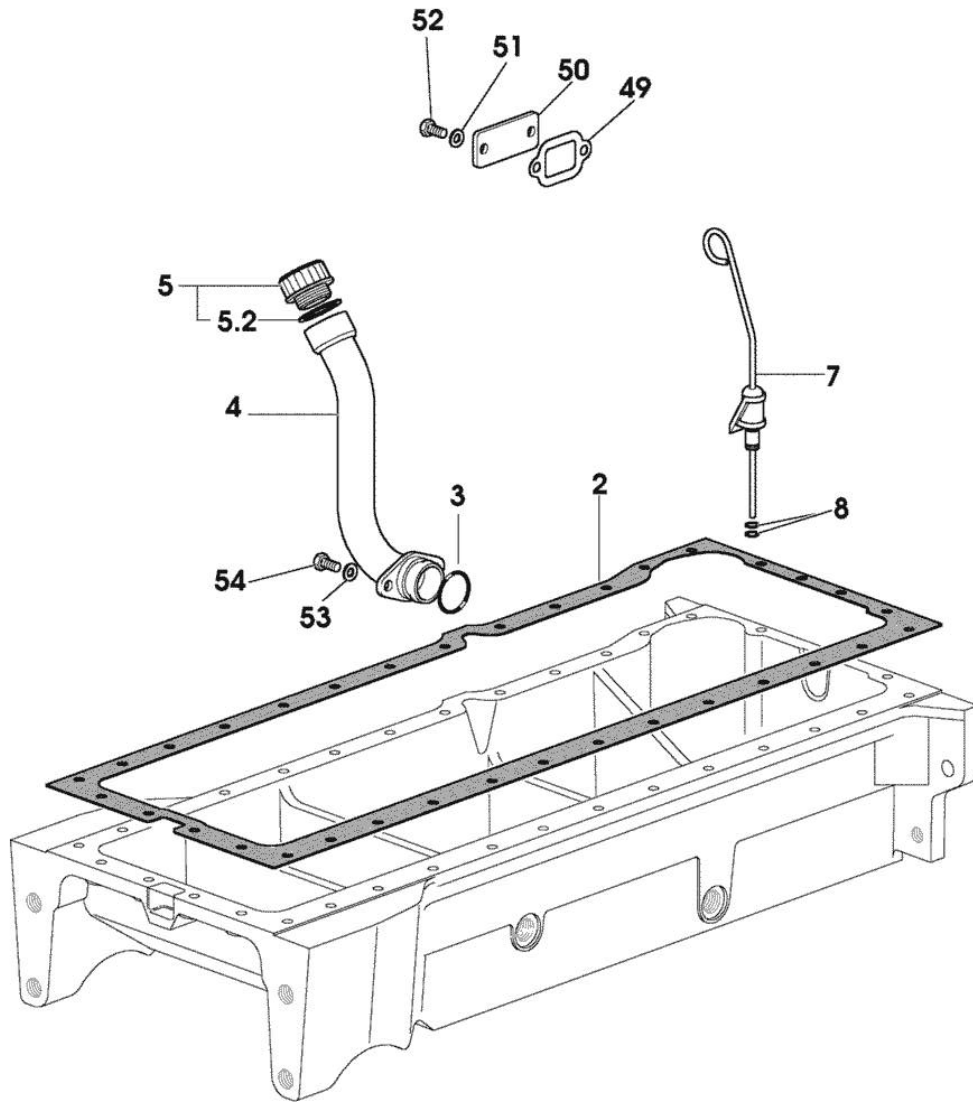


Fig.	P/n	QTY	Name
------	-----	-----	------

Notes:
[RUBIN 160]

2	0.007.0849.0/10	1	gasket
3	2.1531.091.0	1	oil seal 34.60 x 2.62
4	0.010.9099.3	1	tube
5	0.041.1135.4	1	plug 1" gas
5.2	2.1569.072.0	1	gasket 32 x 39.5 x 2
7	0.010.9103.2	1	dipstick
8	2.1539.065.0	2	special oil seal 8.73 x 1.78
49	0.010.9185.0	1	gasket
50	0.010.9104.0	1	plate
51	2.1310.004.2	2	flat washer 8.4x17
52	2.0112.205.2	2	screw m 8 p.1.25 x 16
53	2.1480.014.2	2	washer 8
54	2.0312.204.2	2	screw m 8 p.1.25 x 16

9_38415_01_0_C

40/44

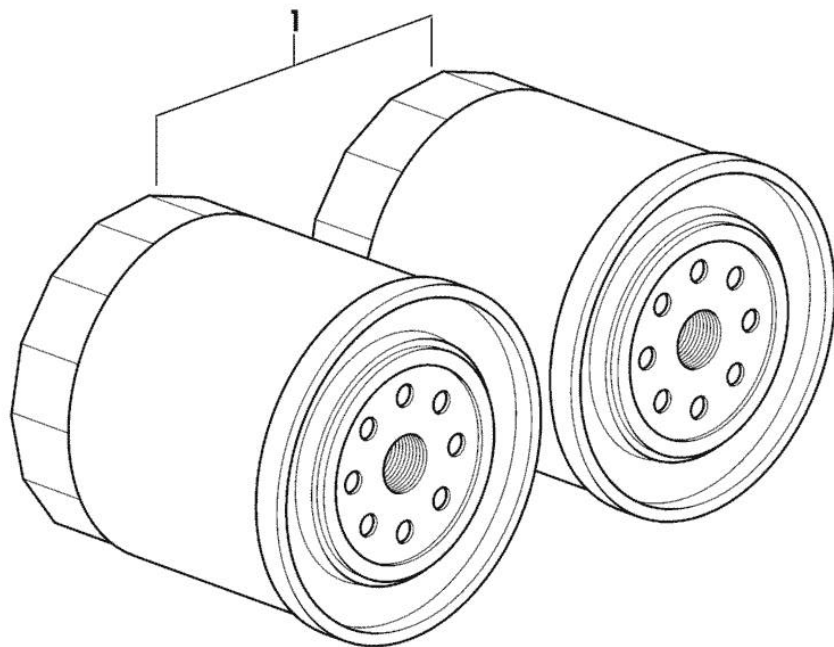
Section: ENGINE

OIL FILTERS

Fig.	P/n	QTY	Name
------	-----	-----	------

Notes:
[RUBIN 160]

1	2.4419.340.0	2	oil filter element
---	--------------	---	--------------------



9_33815_02_0_0

Section: ENGINE

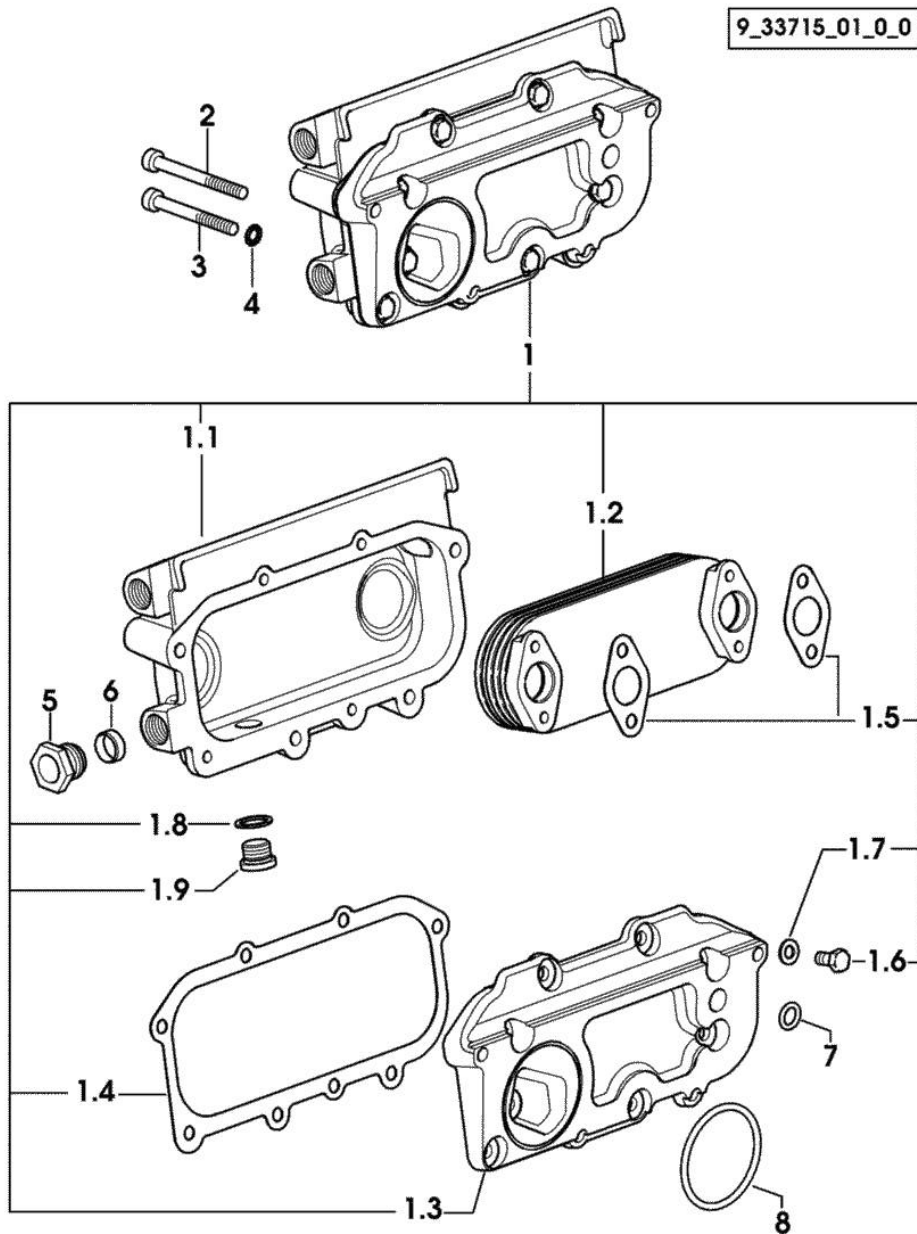
RADIATOR

9_33715_01_0_0

Fig.	P/n	QTY	Name
------	-----	-----	------

Notes:
[RUBIN 160]

1	0.000.0000.1		cannot be supplied
1.1	0.007.0703.0/10	1	box 1066 <- X RUBIN 160 1100 <= X RUBIN 180
1.1	0.007.0703.0/20	1	box -> 1067 X RUBIN 160 => 1101 X RUBIN 180 X RUBIN 200
1.2	0.007.1239.3	1	radiator
1.3	0.078.1555.0/10	1	plate
1.4	0.078.1556.0/10	1	gasket
1.5	0.078.1557.0/10	2	gasket
1.6	2.0112.205.2	8	screw m 8 p.1.25 x 16
1.7	2.1310.004.2	8	flat washer 8.4x17
1.8	2.1560.014.0	1	washer 18.2 x 24
1.9	2.3120.101.0	1	plug m 18 p.1.5
2	2.0312.222.2	2	screw m 8 p.1.25 x 80
3	2.0312.220.2	2	screw m 8 p.1.25x70
4	2.1480.014.1	4	washer 8
5	2.3249.056.2	2	pipe fitting m 28 p.2
6	2.3350.008.1	2	nosepiece 18 1066 <- X RUBIN 160 1100 <= X RUBIN 180
6	2.3350.009.1	2	nosepiece 22 -> 1067 X RUBIN 160 => 1101 X RUBIN 180 X RUBIN 200
7	2.1539.048.0	1	special oil seal 20.35x1.78
8	2.1539.050.0	1	special oil seal 69.57x1.78

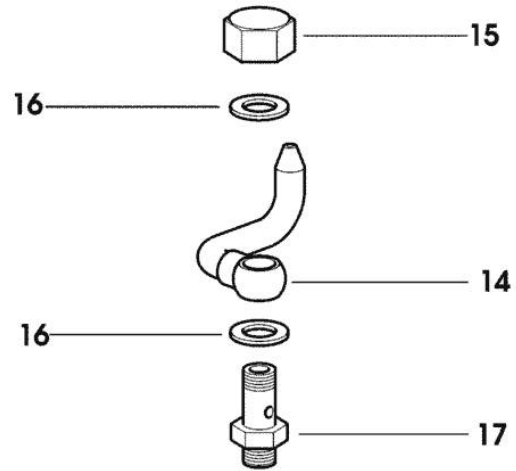


PISTON COOL.NOZZLE

Fig.	P/n	QTY	Name
------	-----	-----	------

Notes:
[RUBIN 160]

14	0.007.0638.2	6	sprayers
15	2.1099.108.2	6	special nut m 10 p.1
16	2.1560.006.0	12	gasket 10.2 x 16
17	2.3249.022.2	6	pipe fitting m 10 p.1



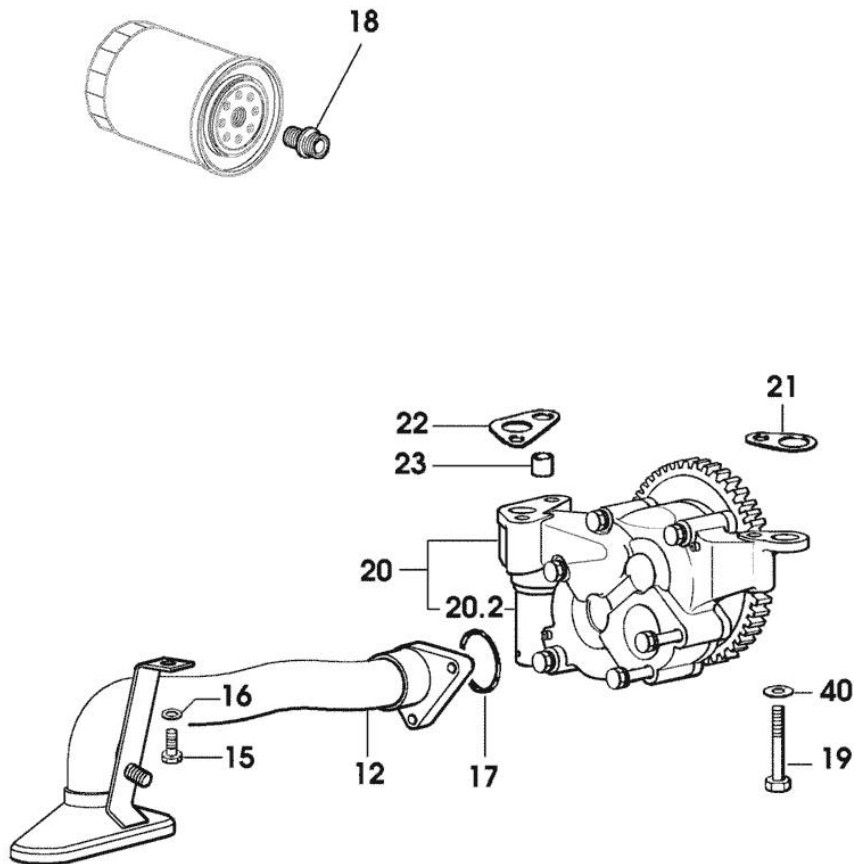
9_34015_02_0_0

Section: ENGINE
LUBRICATION

Fig.	P/n	QTY	Name
------	-----	-----	------

Notes:
 [RUBIN 160]

12	0.011.0087.4	1	tube
15	2.0112.205.2	1	screw m 8 p.1.25 x 16
16	2.1470.004.2	1	lock washer 8
17	2.1539.153.0	1	oil seal 32.99x2.6
18	2.3339.307.0	2	pipe fitting m 22 p.1.5-3/4"
19	2.0112.322.2	3	screw m 10 p.1.5x65
20	0.010.0194.4/20	1	oil pump
20.2	0.007.0866.3	1	valve
21	0.007.0972.0	5	shim
22	0.007.0973.0	5	shim
23	0.007.0867.0	1	bush
40	2.1310.006.2	3	flat washer 10.5x21



9_38415_01_0_A

Thank you so much for reading.
Please click the “Buy Now!”
button below to download the
complete manual.



After you pay.

You can download the most
perfect and complete manual in
the world immediately.

Our support email:

ebooklibonline@outlook.com