

Section: B0 - ENGINE

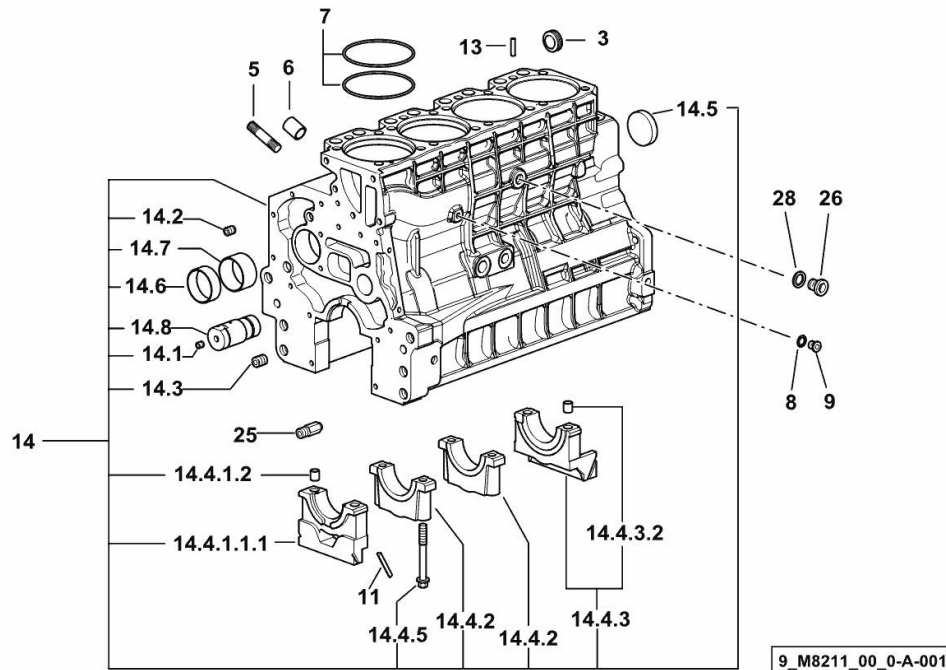
**CRANKCASE**

Fig.	P/n	QTY	Name
------	-----	-----	------

**Notes:**

[SILVER 110 ( 4 CYL. )]

3	2.3199.312.2/20	1	plug m 35x1.5x9.5
5	2.0439.273.7	8	stud bolt m 8
6	2.1559.188.2	4	bush 11.4 x 14 x16
7	2.1539.259.0	8	special oil seal 107.62x2.62
8	2.1560.010.0	1	gasket 14.2 x 20
9	2.3199.292.0	1	plug 1/4" gas
11	0.066.1152.0/10	4	gasket
13	2.1549.154.2	4	bush 4.8x5.8x16
14	0.015.2988.4/10	1	crankcase
14.1	2.3130.001.1	10	plug 1/8" gas
14.2	2.3130.002.1	2	plug 1/4" gas
14.3	2.3130.003.1	6	plug 3/8" gas
14.4.1.1.1	0.065.1112.7/10	1	support
14.4.1.2	2.1699.165.0	1	bush 12.3x15x16
14.4.2	0.065.1114.0/10	3	support
14.4.3	0.065.1116.3	1	support
14.4.3.2	2.1699.165.0	1	bush 12.3x15x16
14.4.5	0.065.1117.0	10	screw m 12 x 100
14.5	2.3179.012.0	1	plug 60
14.6	0.065.1140.0	4	special bushing 59X55X20
14.7	0.065.1141.0	1	special bushing 59X55X30
14.8	0.014.1340.0/10	1	pin mm 85
25	0.013.4946.0/10	1	sprayer nozzle
26	2.3120.101.0	1	plug m 18 p.1.5
28	2.1560.014.0	1	washer 18.2 x 24



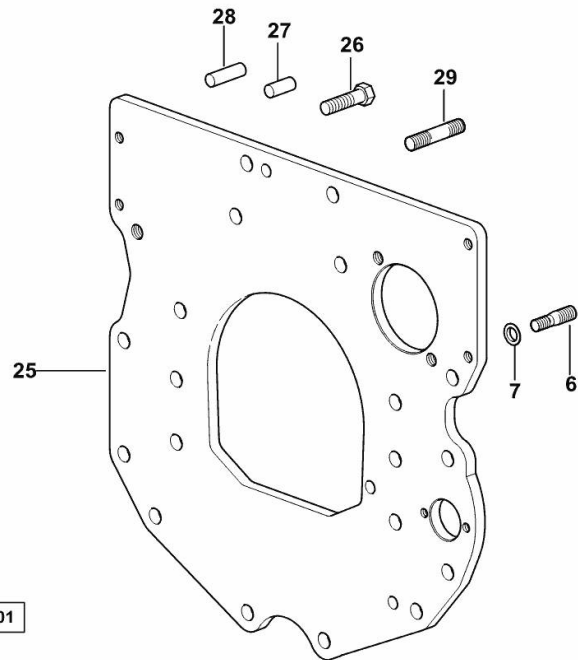
**MONOBLOC ENGINE-GEARBOX CONNECTING FLANGE**

Fig.	P/n	QTY	Name
------	-----	-----	------

**Notes:**

[SILVER 110 ( 4 CYL. )]

6	2.0439.250.7	1	stud bolt m 12 / m 10 x 30
7	0.011.9294.0/10	1	bush
25	0.007.1655.0	1	flange
26	2.0112.511.2	8	screw m 14 p.2 x 30
27	2.1651.912.0	2	cylindrical plug 12x28
28	2.1651.917.0	1	cylindrical plug 12x40
29	2.0432.257.7	1	stud bolt m 12 p.1.75 - 1.25 x 30



9\_32111\_01\_0-A-001

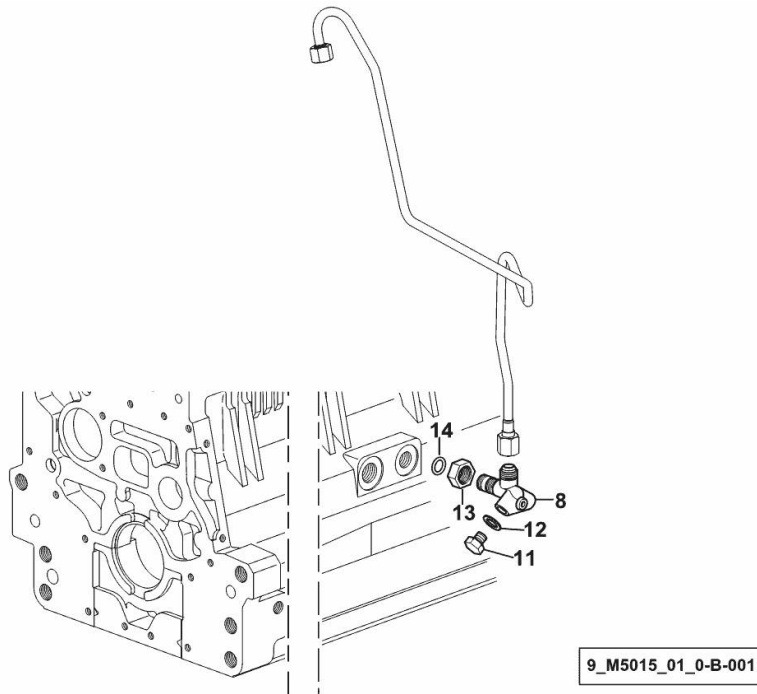
**ENGINE OIL AND TURBO PRESSURE SWITCH UNION**

Fig.	P/n	QTY	Name
------	-----	-----	------

**Notes:**

[SILVER 110 ( 4 CYL. )]

8	2.3339.673.0/10	1	pipe fitting
11	2.3110.403.1	1	plug m 14 p.1.5x12
12	2.1560.010.0	1	gasket 14.2 x 20
13	2.1019.129.2/10	1	nut m 18 p.1.5x12
14	2.1533.038.0	1	oil seal 15.45x2.62



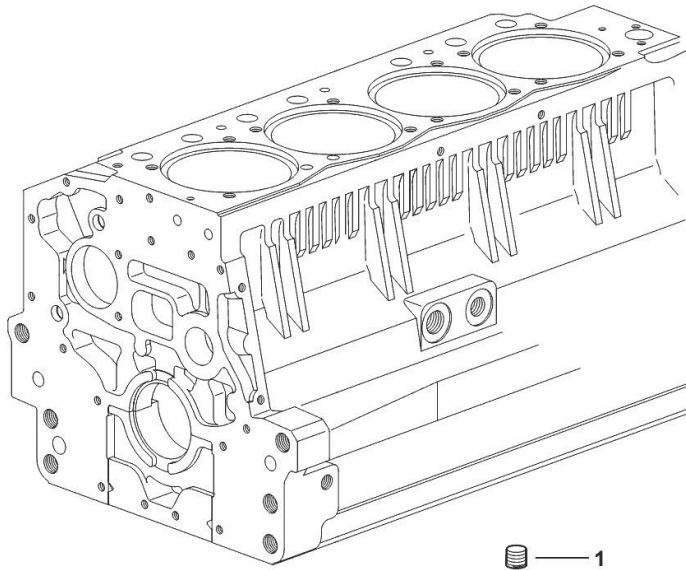
**PLUG**

Fig.	P/n	QTY	Name
------	-----	-----	------

**Notes:**

[SILVER 110 ( 4 CYL. )]

1	2.3130.003.1	1	plug 3/8" gas
---	--------------	---	---------------



1

9\_34311\_06\_0-A-001

Section: B0 - ENGINE

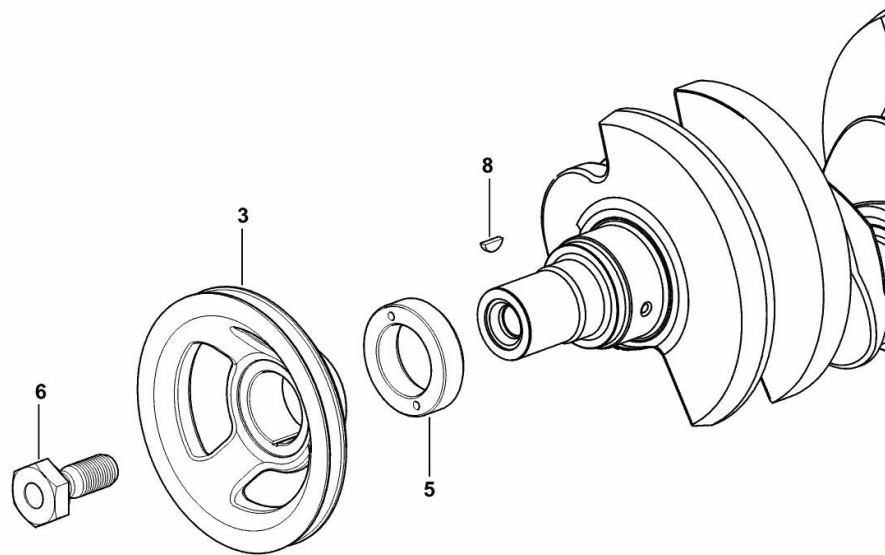
**CRANKSHAFT PULLEY**

Fig.	P/n	QTY	Name
------	-----	-----	------

**Notes:**

[SILVER 110 ( 4 CYL. )]

3	0.007.1457.0/30	1	pulley
5	0.085.1248.0/20	1	hub
6	2.0399.144.7/10	1	screw m 20 p.1.5x51
8	2.1720.006.0	1	key 4x6.5



9\_33312\_02\_0-A-001

Section: B0 - ENGINE

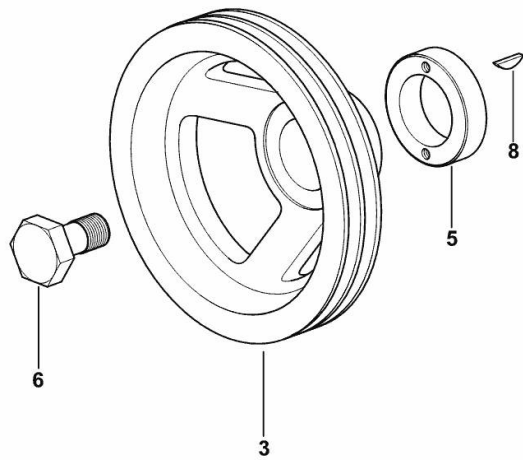
**CRANKSHAFT PULLEY**

Fig.	P/n	QTY	Name
------	-----	-----	------

**Notes:**

- FOR TRACTORS WITH AIR CONDITIONING [SILVER 110 ( 4 CYL. )]

3	0.007.1458.0/40	1	pulley
5	0.085.1248.0/20	1	hub
6	2.0399.144.7/10	1	screw m 20 p.1.5x51
8	2.1720.006.0	1	key 4x6.5



9\_34512\_06\_0-A-001

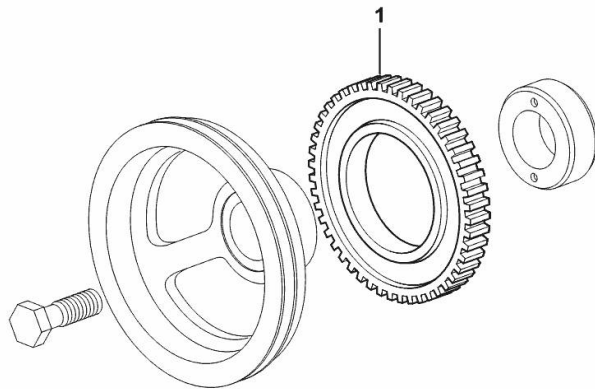
**PULSE WHEEL**

Fig.	P/n	QTY	Name
------	-----	-----	------

**Notes:**

[SILVER 110 ( 4 CYL. )]

1	0.011.3531.0	1	gear Z = 48
---	--------------	---	-------------



9\_36812\_05\_0-A-001

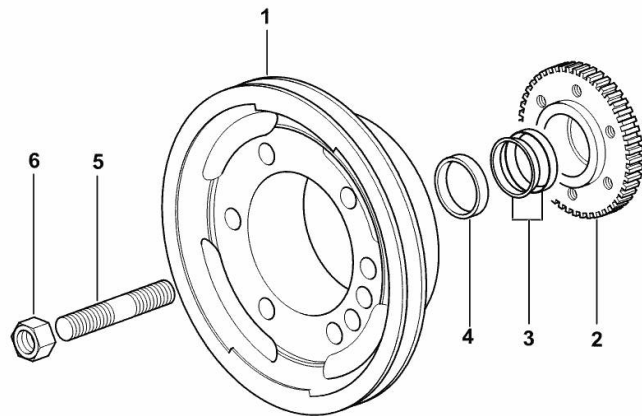
**ENGINE CRANKSHAFT PULLEY WITH RING-FEEDER RINGS**

Fig.	P/n	QTY	Name
------	-----	-----	------

**Notes:**

- FOR MODELS EQUIPPED WITH FRONT P.T.O. [SILVER 110 ( 4 CYL. )]

1	0.082.1244.0/10	1	pulley
2	0.011.3515.0/20	1	hub Z = 48
3	0.065.1256.0	2	ring 45x52
4	2.1579.865.0	1	spacer 45.2x51.8x10
5	2.0439.195.7	1	stud bolt m 20 p.1.5x80
6	2.1019.094.7	1	nut m 20 p.1.5



9\_34512\_07\_0-A-001



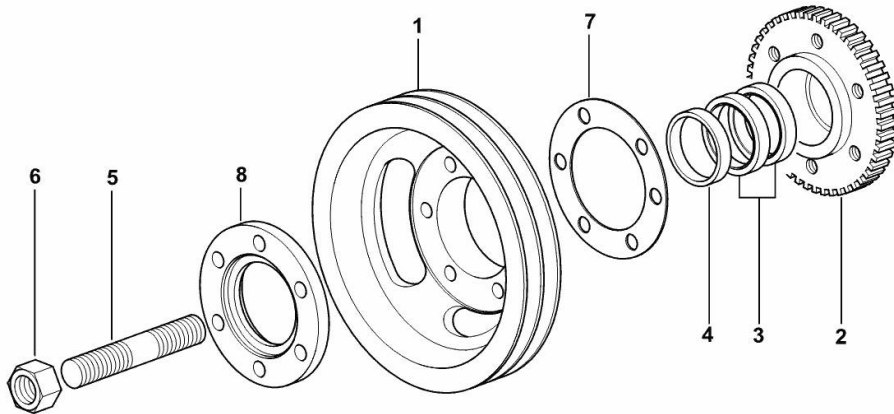
**ENGINE CRANKSHAFT PULLEY WITH RING-FEEDER RINGS**

Fig.	P/n	QTY	Name
------	-----	-----	------

**Notes:**

- FOR TYPES WITH AIR CONDITIONING AND FRONT PTO [SILVER 110 ( 4 CYL. )]

1	0.082.1250.0/10	1	pulley
2	0.011.3515.0/20	1	hub Z = 48
3	0.065.1256.0	2	ring 45x52
4	2.1579.865.0	1	spacer 45.2x51.8x10
5	2.0439.195.7	1	stud bolt m 20 p.1.5x80
6	2.1019.094.7	1	nut m 20 p.1.5
7	2.1589.137.0	3	shoulder ring 71x110x1
8	0.089.1253.0/10	1	spacer



9\_34512\_08\_0-A-001

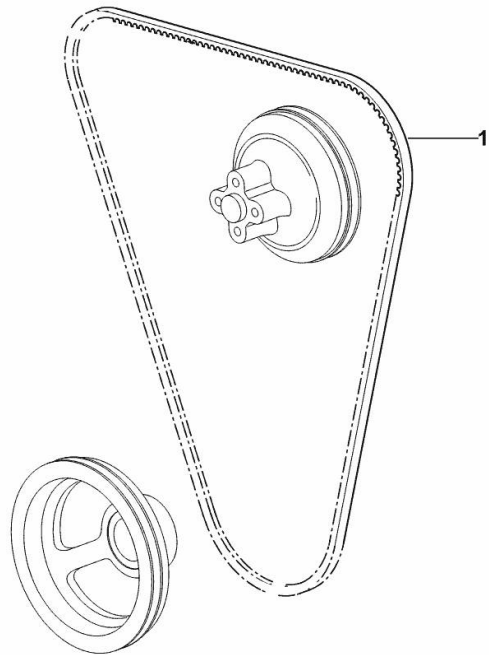
**COOLANT PUMP AND ALTERNATOR DRIVEBELT**

Fig.	P/n	QTY	Name
------	-----	-----	------

**Notes:**

- FOR TRACTORS WITHOUT AIR CONDITIONING [SILVER 110 ( 4 CYL. )]

1	2.4119.194.0	1	belt AV 10x1290 mm
---	--------------	---	--------------------



9\_M5117\_09\_0-A-001

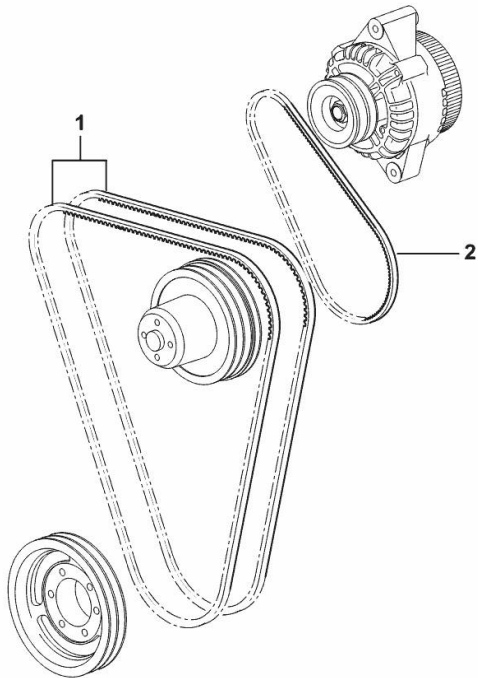
**COOLANT PUMP AND ALTERNATOR DRIVEBELT**

Fig.	P/n	QTY	Name
------	-----	-----	------

**Notes:**

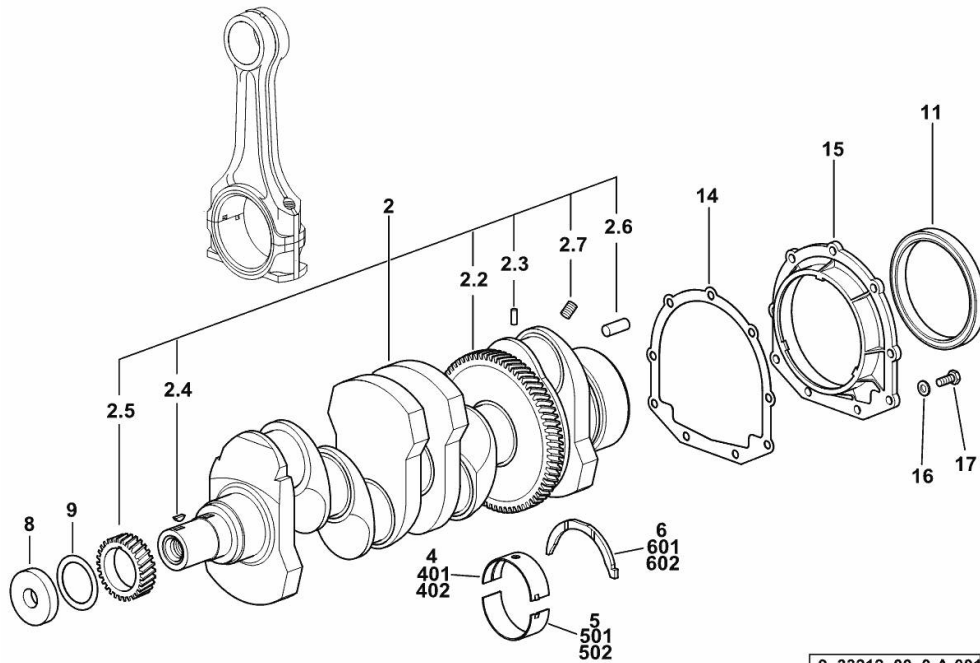
- FOR TRACTORS WITH AIR CONDITIONING [SILVER 110 ( 4 CYL. )]

1	2.4119.138.0	2	belt AV 12.7x1380 mm
2	2.4119.134.0	1	belt AV 10x794 mm



9\_34517\_11\_0-A-001

**CRANKSHAFT**



9\_33212\_00\_0-A-001

Fig.	P/n	QTY	Name
<b>Notes:</b>			
[SILVER 110 ( 4 CYL. )]			
2	0.086.1210.3/40	1	crankshaft
2.2	0.065.1211.0/10	1	crown wheel
2.3	2.1630.608.0	1	pin 6x16
2.4	2.1720.006.0	1	key 4x6.5
2.5	0.065.1323.0/30	1	gear Z = 29
2.6	2.1651.915.0	1	pin 12x35
2.7	2.3130.001.1	4	plug 1/8" gas
4	0.065.1215.0/10	5	main half bushing STANDARD
5	0.065.1216.0/10	5	main half bushing STANDARD
6	0.065.1218.0	4	shim STANDARD
8	2.1599.524.7	1	washer 21x60x12
9	2.1589.189.0	2	shoulder ring mm 1.00
11	2.1529.073.0	1	special oil seal 110x130x13
14	0.065.1254.0/20	1	gasket
15	0.007.1711.0/10	1	cover
16	2.1475.002.2	9	conical washer 8
17	2.0112.207.2	9	screw m 8 p 1.25 x 20
401	0.065.1215.7		main half bushing - mm 0.25
402	0.065.1215.8		main half bushing - mm 0.50
501	0.065.1216.7		main half bushing - mm 0.25
502	0.065.1216.8		main half bushing - mm 0.50
601	0.065.1218.7		shim + mm 0.10
602	0.065.1218.8		shim + mm 0.15

Section: B0 - ENGINE

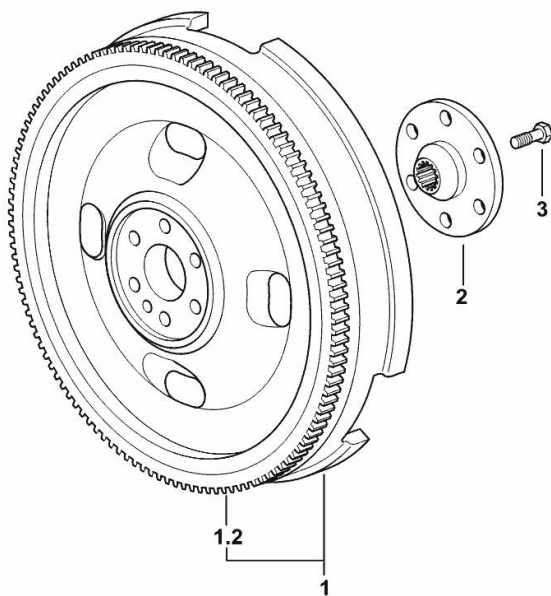
**ENGINE FLYWHEEL**

Fig.	P/n	QTY	Name
------	-----	-----	------

**Notes:**

- FOR TYPES WITHOUT HYDRAULIC SHUTTLE [SILVER 110 ( 4 CYL. )] 1945 &lt;-

1	0.007.1702.3/30	1	flywheel
1.2	0.065.1242.0	1	crown wheel Z = 123
2	0.008.5543.0	1	flange
3	2.0139.022.2	6	screw m 12 p.1.25x55



9\_32512\_03\_0-A-001

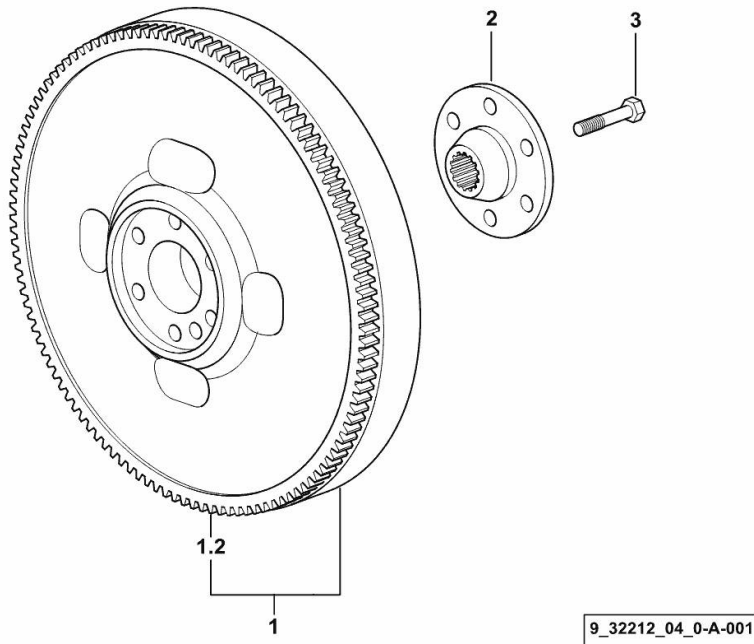
**ENGINE FLYWHEEL**

Fig.	P/n	QTY	Name
------	-----	-----	------

**Notes:**

- FOR TYPES WITHOUT HYDRAULIC SHUTTLE [SILVER 110 ( 4 CYL. )] -> 1949

1	0.012.2626.3/10	1	flywheel
1.2	0.065.1242.0	1	crown wheel Z = 123
2	0.255.2525.0/10	1	flange
3	2.0139.022.2	6	screw m 12 p.1.25x55



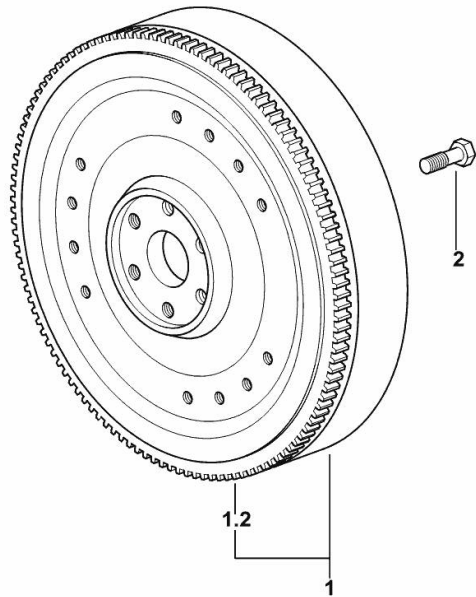
**ENGINE FLYWHEEL**

Fig.	P/n	QTY	Name
------	-----	-----	------

**Notes:**

- FOR TYPES WITH HYDRAULIC SHUTTLE [SILVER 110 ( 4 CYL. )]

1	0.010.8727.3	1	flywheel
1.2	0.065.1242.0	1	crown wheel Z = 123
2	2.0119.174.0/10	6	screw m 12 p.1.25x45



9\_32312\_03\_0-A-001

Thank you so much for reading.  
Please click the “Buy Now!”  
button below to download the  
complete manual.



After you pay.

You can download the most  
perfect and complete manual in  
the world immediately.

Our support email:

[ebooklibonline@outlook.com](mailto:ebooklibonline@outlook.com)