

## Section: ENGINE

## CRANKCASE

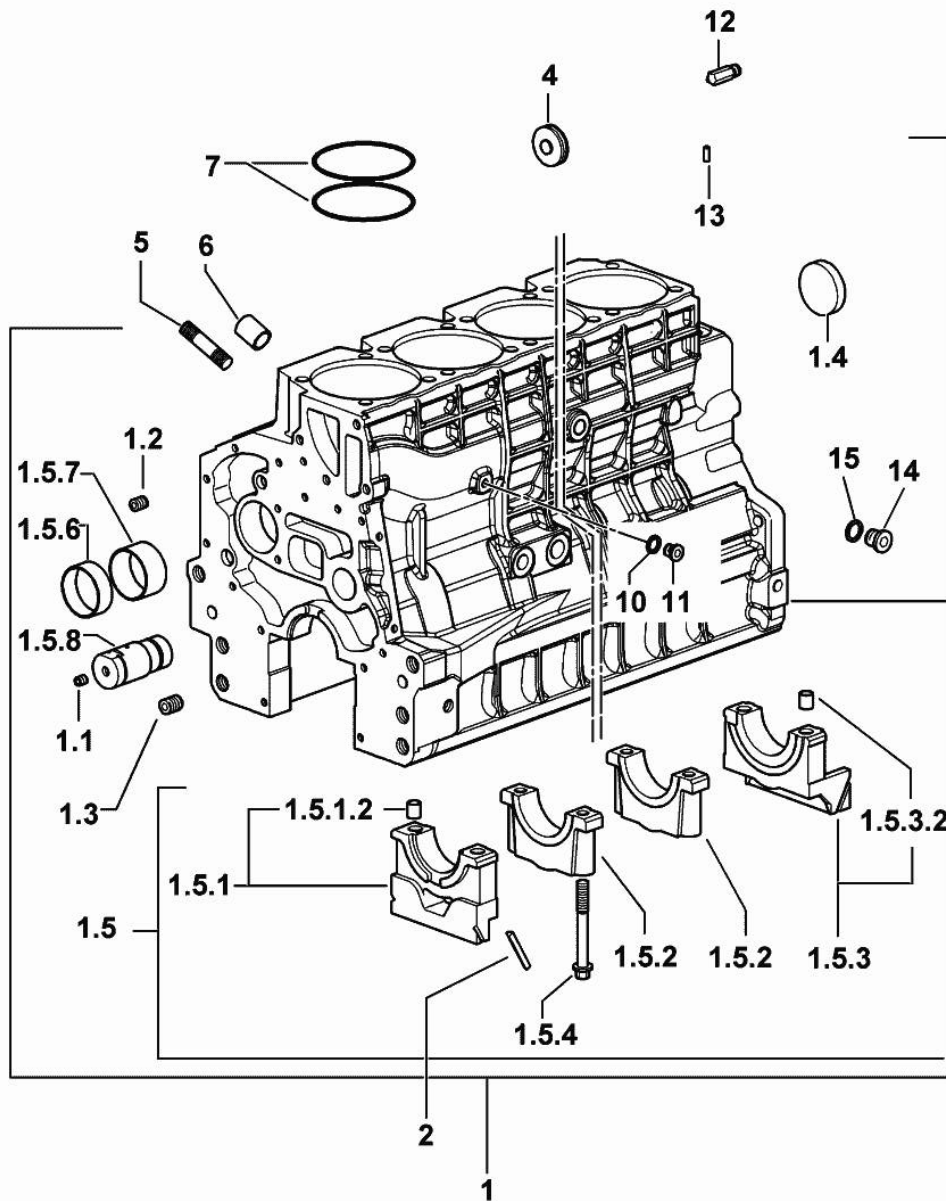


Fig.	P/n	QTY	Name
------	-----	-----	------

Notes:  
[SILVER 115]

1	0.013.0356.4/30	1	crankcase
1.1	2.3130.001.1	14	plug 1/8" gas
1.2	2.3130.002.1	2	plug 1/4" gas
1.3	2.3130.003.1	8	plug 3/8" gas
1.4	2.3179.012.0	1	plug 60
1.5	0.000.0000.1		cannot be supplied
1.5.1	0.065.1112.7	1	support
1.5.1.2	2.1699.165.0	1	bush 12.3x15x16
1.5.2	0.065.1114.0/10	5	support
1.5.3	0.007.0848.3/20	1	support
1.5.3.2	2.1699.165.0	1	bush 12.3x15x16
1.5.4	0.065.1117.0	14	screw m 12 x 100
1.5.6	0.065.1140.0	6	special bushing 59X55X20
1.5.7	0.065.1141.0	1	special bushing 59X55X30
1.5.8	0.066.1151.0	1	pin
2	0.066.1152.0/10	4	gasket
4	2.3199.312.2/10	1	plug
5	2.0439.273.7	12	stud bolt m 8
6	2.1559.188.2	6	bush 11.4 x 14 x16
7	2.1539.193.0	12	special oil seal 107.62x2.62
10	2.1560.010.0	1	gasket 14.2 x 20
11	2.3199.292.0	1	plug 1/4" gas
12	0.013.4946.0/10	1	sprayer nozzle
13	2.1549.154.2	6	bush 4.8x5.8x16
14	2.3120.101.0	1	plug m 18 p.1.5
15	2.1560.014.0	1	washer 18.2 x 24

9\_M3711\_00\_0\_0

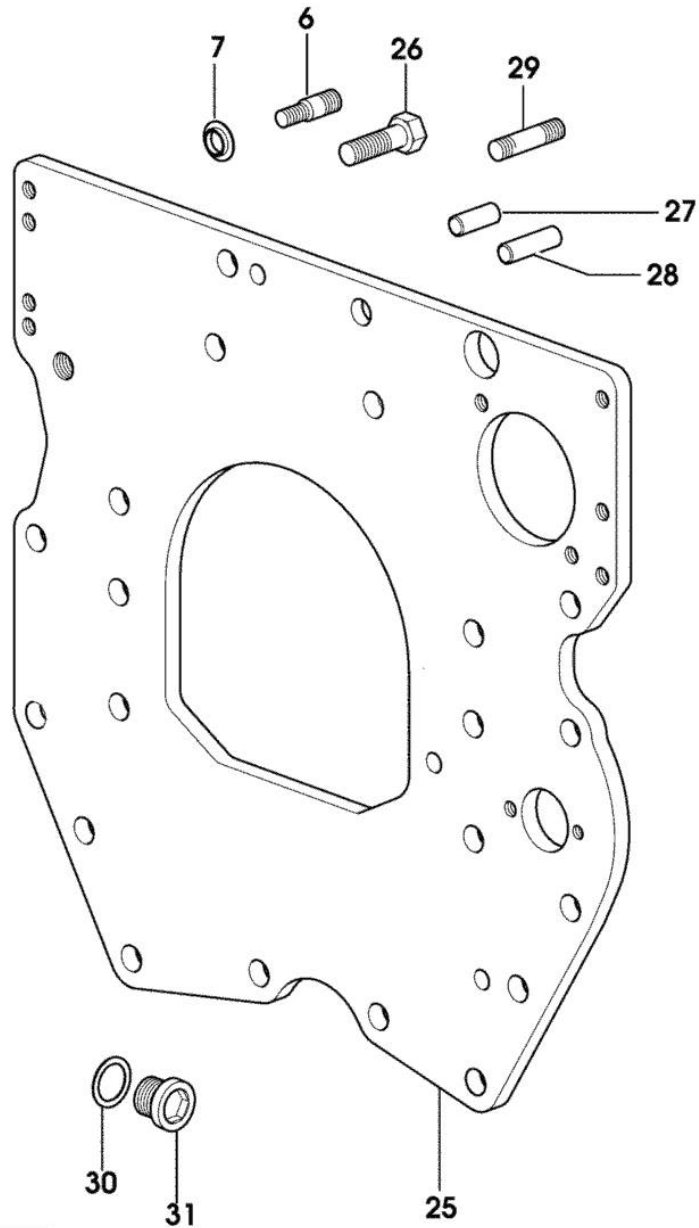
Section: ENGINE

**MONOBLOC ENGINE-GEARBOX CONNECTING FLANGE**

Fig.	P/n	QTY	Name
------	-----	-----	------

Notes:  
[SILVER 115]

6	2.0439.250.7	1	stud bolt m 12 / m 10 x 30
7	0.011.9294.0/10	1	bush
25	0.012.8866.0	1	flange
26	2.0112.511.2	8	screw m 14 p.2 x 30
27	2.1651.912.0	2	cylindrical plug 12x28
28	2.1651.917.0	1	cylindrical plug 12x40
29	2.0432.257.7	1	stud bolt m 12 p.1.75 - 1.25 x 30
30	2.1560.017.0	1	gasket 22.2 x 27
31	2.3120.002.4	1	plug m 22 x 1.5



9\_33911\_02\_0\_0

9\_M3711\_01\_0\_0

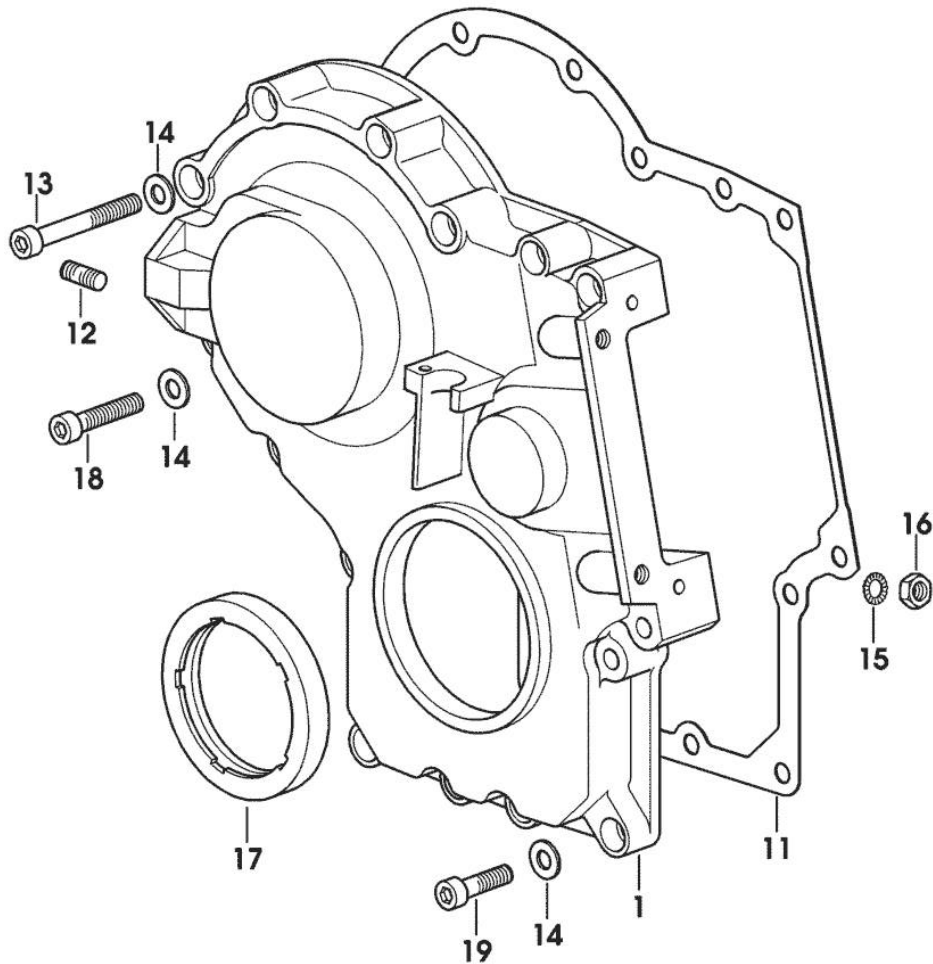
Section: ENGINE

## TIMING CASE

Fig.	P/n	QTY	Name
------	-----	-----	------

## Notes:

[SILVER 115]



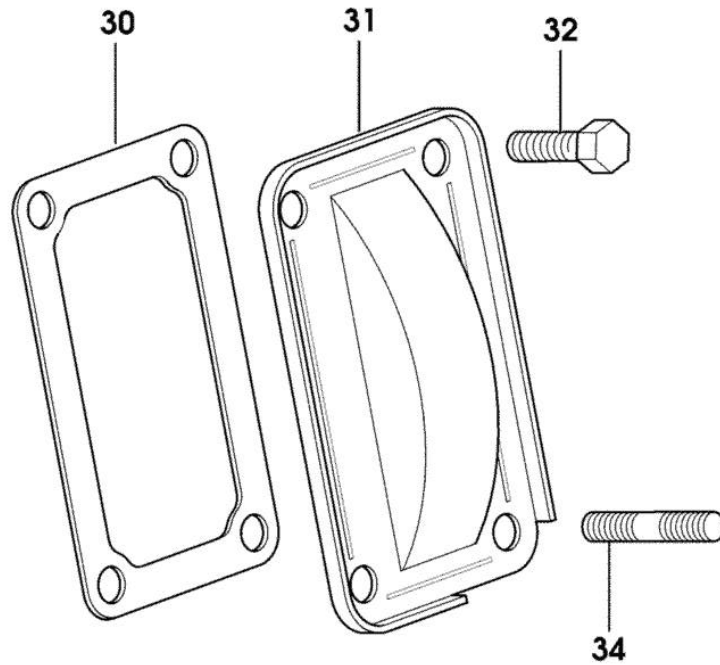
1	0.013.4981.0	1	guard
11	0.065.1150.0/30	1	gasket
12	2.0432.003.7	2	stud bolt m 8 p.1.25 / p.1 x 20
13	2.0312.219.2	4	screw m 8 p.1.25x65
14	2.1480.014.1	15	washer 8
15	2.1470.004.2	4	lock washer 8
16	2.1011.405.2	2	nut m 8 p.1
17	2.1529.167.0	1	oil seal
18	2.0312.214.2	3	screw m 8 p.1.25 x 40
19	2.0312.208.2	8	screw m 8 p.1.25 x 25

Section: ENGINE  
CASING COVER

Fig.	P/n	QTY	Name
------	-----	-----	------

Notes:  
[SILVER 115]

30	0.065.1152.0	1	gasket
31	0.065.1151.0	1	cover
32	2.0112.205.2	2	screw m 8 p.1.25 x 16
34	2.0432.005.7	2	stud bolt m 8 p.1.5 / p.1 x 25



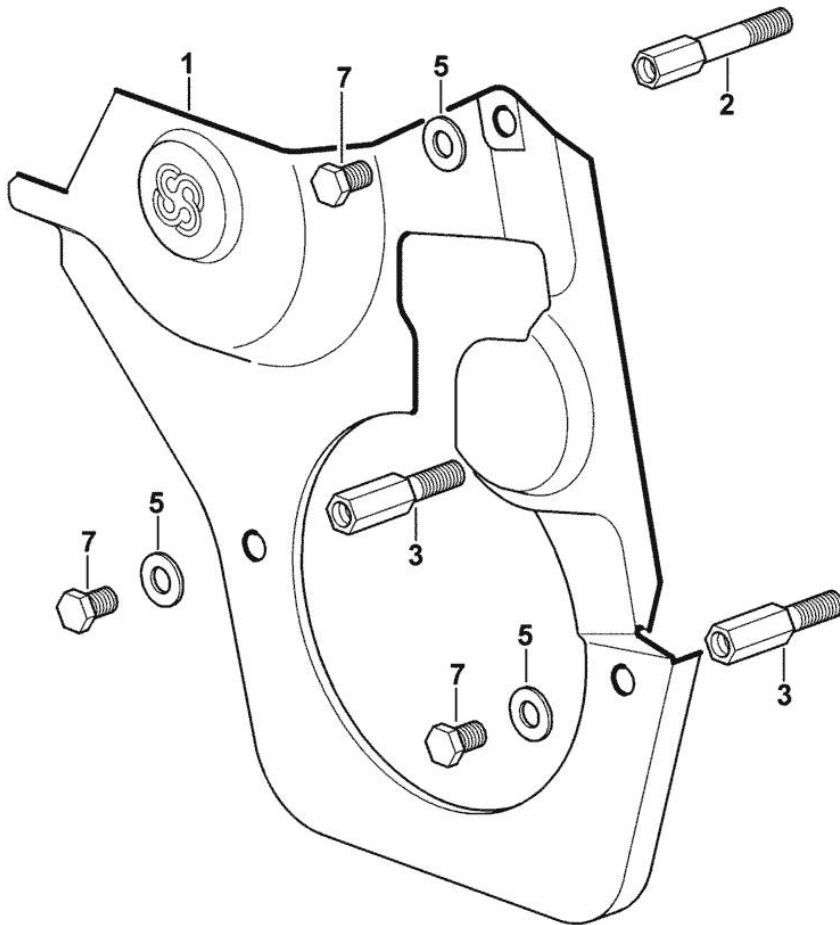
9\_33011\_04\_0\_0

Section: ENGINE  
GUARD PLATE

Fig.	P/n	QTY	Name
------	-----	-----	------

Notes:  
[SILVER 115]

1	0.007.1262.3/50	1	guard
2	0.007.1271.0/10	1	small column m 8 p.1.25 / L = mm 60
3	0.007.1272.0/10	2	small column m 8 p.1.25 / L = mm 50
5	2.1310.004.2	3	flat washer 8.4x17
7	2.0112.203.2	3	screw m 8 p.1.25 x 12

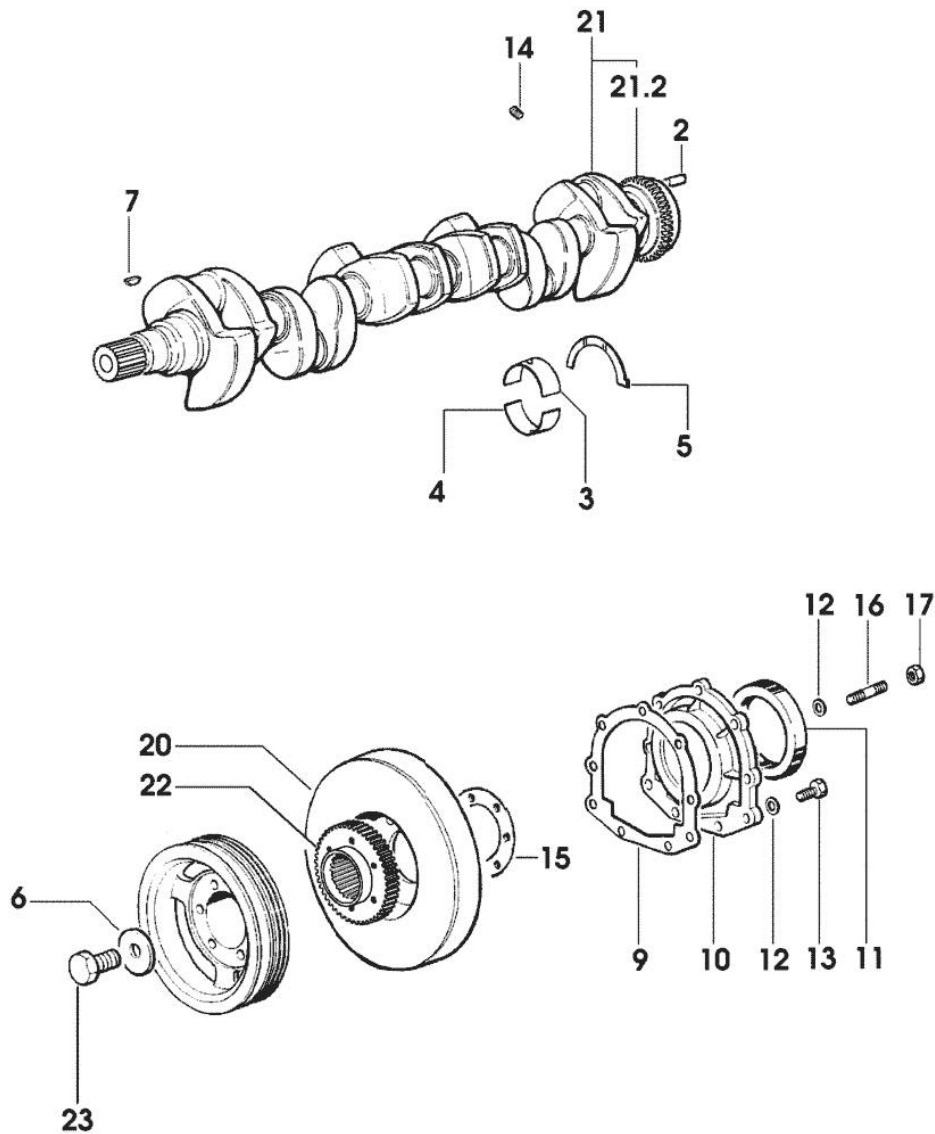


Section: ENGINE  
**CRANKSHAFT**

Fig.	P/n	QTY	Name
------	-----	-----	------

Notes:  
 [SILVER 115]

2	2.1651.915.0	1	pin 12x35
3	0.065.1215.0	7	main half bushing STANDARD
3	0.065.1215.7		main half bushing - mm 0.25
3	0.065.1215.8		main half bushing - mm 0.50
4	0.065.1216.0	7	main half bushing
4	0.065.1216.7		main half bushing - mm 0.25
4	0.065.1216.8		main half bushing - mm 0.50
5	0.065.1218.0	4	shim STANDARD
5	0.065.1218.7		shim + mm 0.10
5	0.065.1218.8		shim + mm 0.15
6	2.1599.524.7	1	washer 21x60x12
7	2.1720.006.0	1	key 4x6.5
9	0.065.1254.0/20	1	gasket
10	0.007.0851.0/10	1	cover
11	2.1529.073.0	1	special oil seal 110x130x13
12	2.1475.002.2	9	conical washer 8
13	2.0112.207.2	7	screw m 8 p 1.25 x 20
14	2.3130.001.1	6	plug 1/8" gas
15	2.1589.137.0	2	shoulder ring 71x110x1
16	2.0432.003.7	2	stud bolt m 8 p.1.25 / p.1 x 20
17	2.1011.105.2	2	nut m 8 p.1.25
20	0.009.3704.3	1	antivibration pulley
21	0.010.4320.3/20	1	crankshaft
21.2	0.007.0855.0/10	1	gear
22	0.011.2206.0/20	1	hub
23	2.0399.144.7/10	1	screw m 20 p.1.5x51



9\_37912\_00\_0\_0

Section: ENGINE

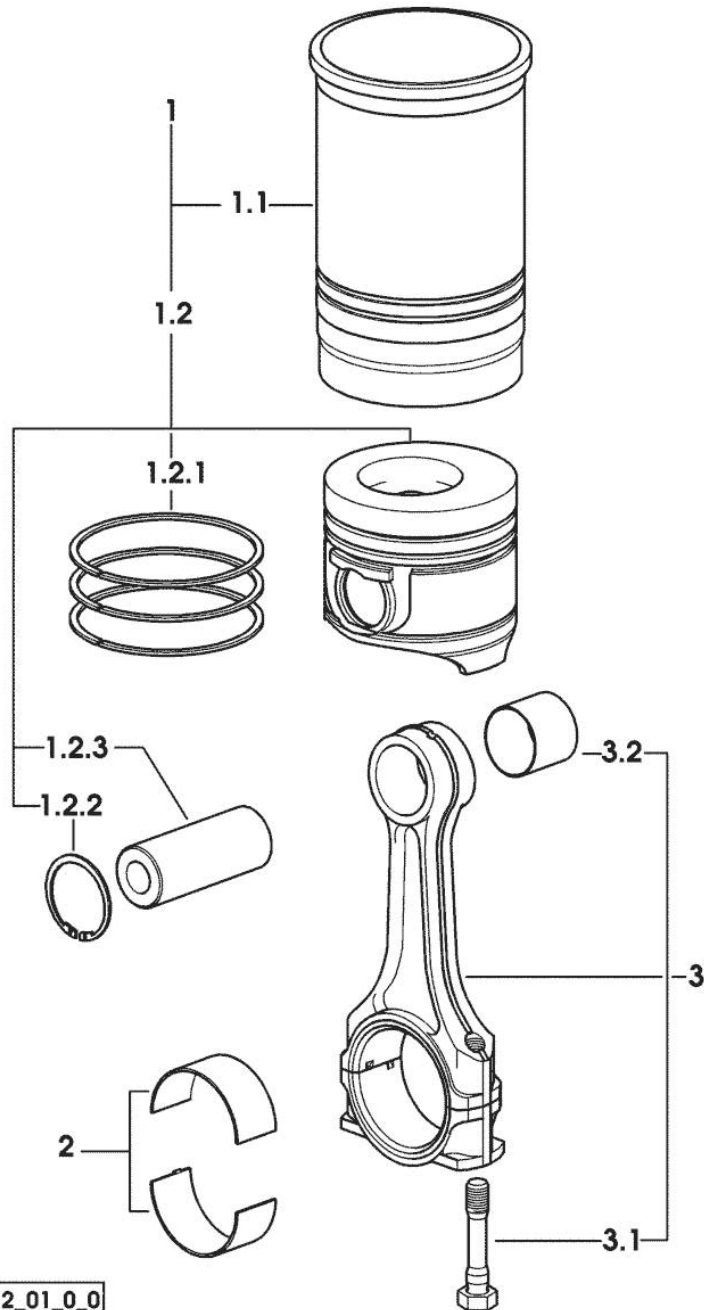
**CYLINDER - PISTON - CONNECTING ROD**

Fig.	P/n	QTY	Name
------	-----	-----	------

**Notes:**

[SILVER 115]

1	0.099.0065.A	6	cyl. piston assembly "A" - CLASS A
1	0.099.0065.B	6	cyl. piston assembly "B" - CLASS B
1.1	0.A12.2675.0	1	engine cylinder "A" - CLASS A
1.1	0.B12.2675.0	1	engine cylinder "B" - CLASS B
1.2	0.099.0060.A	1	complete piston "A" - CLASS A
1.2	0.099.0060.B	1	complete piston "B" - CLASS B
1.2.1	0.081.0090.6/10	1	piston ring set
1.2.2	2.1411.014.1	2	circlip 35
1.2.3	0.078.1236.0	1	piston pin Ø 18 / Ø 35 / L = mm 86
2	0.065.1225.0	12	con.rod half bushing STANDARD - A = 28.75 -> 29.00
2	0.065.1225.7	12	con.rod half bushing - mm 0.25
2	0.065.1225.8	12	con.rod half bushing - mm 0.50
3	0.078.1220.3/30	6	engine connecting rod
3.1	2.0399.213.0	2	screw m 12 p.1.25x61.5
3.2	2.1559.114.0/10	1	special bushing



9\_M8012\_01\_0\_0

Section: ENGINE

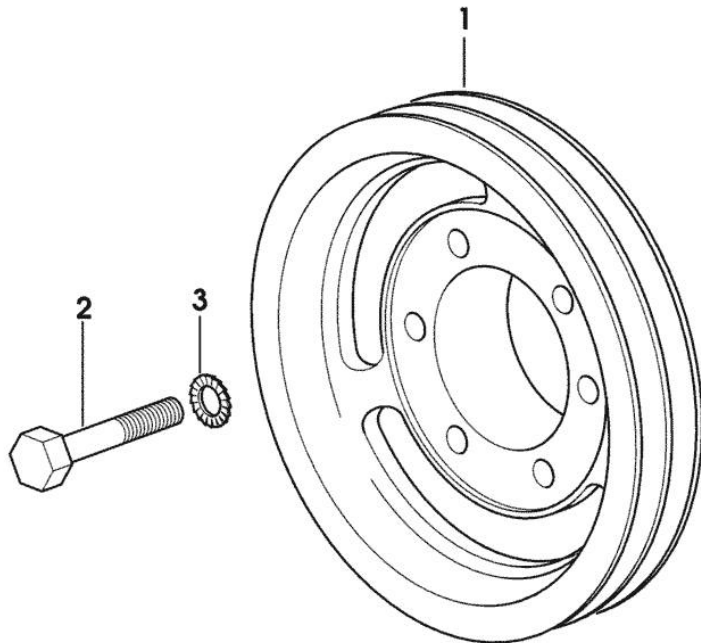
**CRANKSHAFT PULLEY**

Fig.	P/n	QTY	Name
------	-----	-----	------

**Notes:**

[SILVER 115]

1	0.007.0962.0/30	1	pulley
2	2.0112.322.2	6	screw m 10 p.1.5x65
3	2.1470.006.2	6	lock washer 10



9\_33712\_01\_0\_0



Section: ENGINE

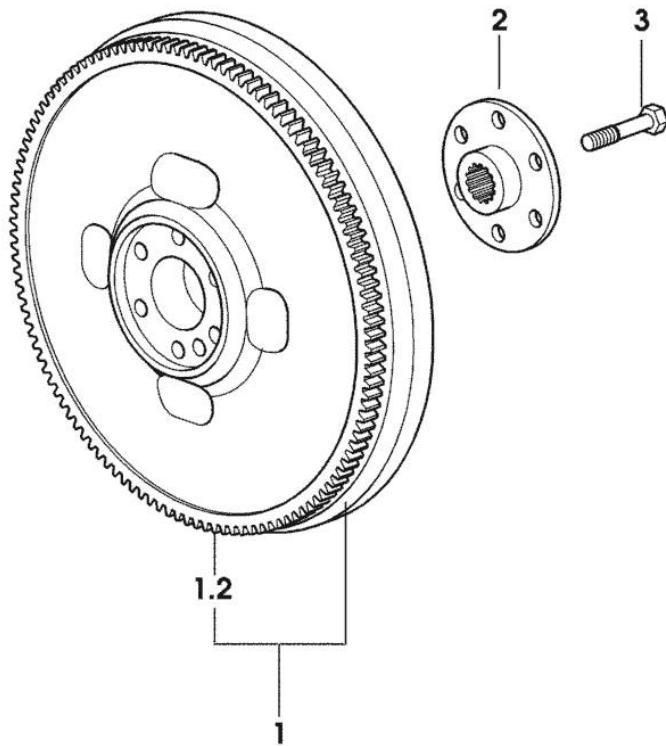
**FLYWHEEL**

Fig.	P/n	QTY	Name
------	-----	-----	------

**Notes:**

[SILVER 115]

1	0.013.2935.3	1	flywheel
1.2	0.065.1242.0	1	crown wheel Z = 123
2	0.288.3625.0	1	flange
3	2.0139.022.2	6	screw m 12 p.1.25x55



9\_33912\_01\_0\_0

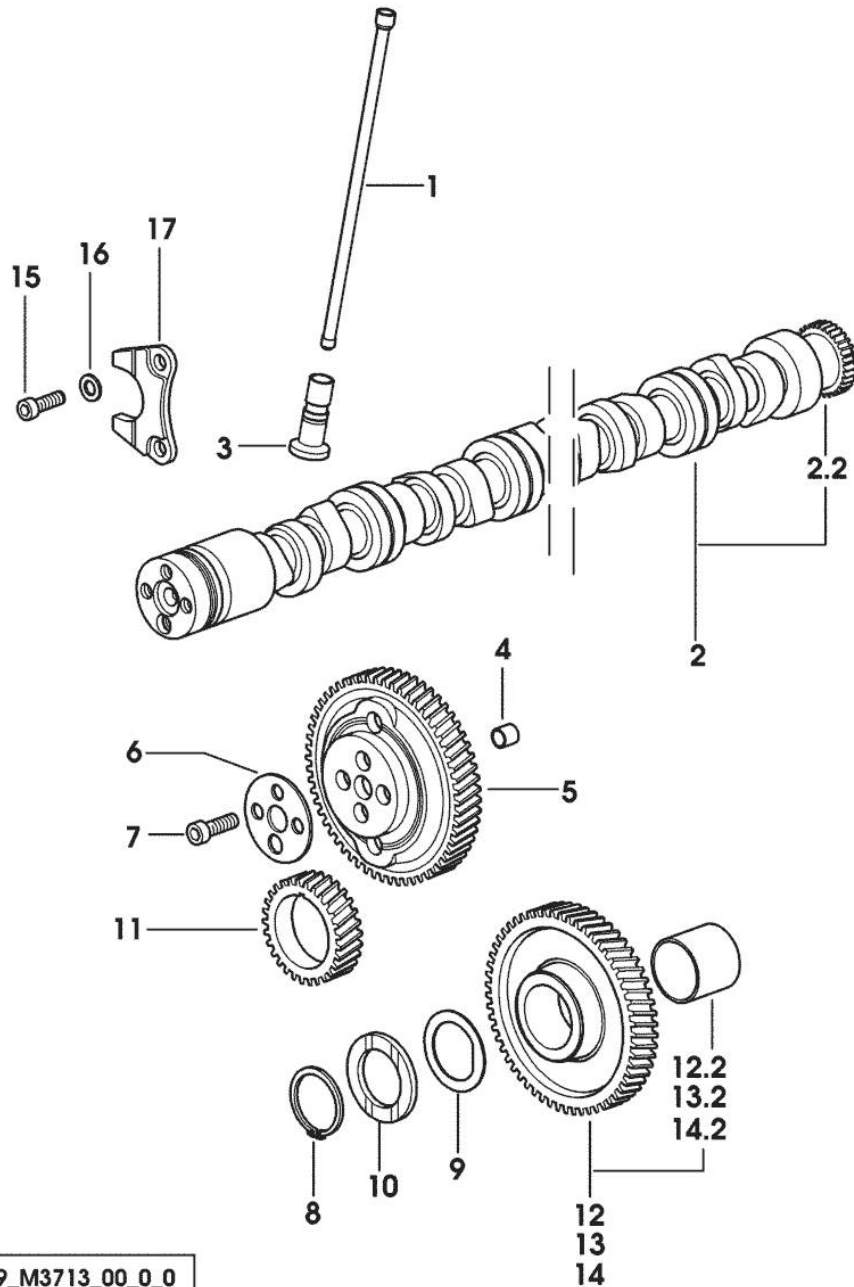
Section: ENGINE

**CAMSHAFT**

Fig.	P/n	QTY	Name
------	-----	-----	------

**Notes:**

[SILVER 115]



1	0.065.1331.2	12	rod
2	0.012.3678.3	1	camshaft
2.2	0.065.1324.0/10	1	gear Z = 32
3	0.065.1330.0	12	tappets
4	2.1559.398.0	1	bushing 10.5x13x12
5	0.013.5017.0	1	gear z=58
6	0.065.1350.0	1	small disc
7	2.0132.207.2	4	screw m 10 p.1 x 25
8	2.1410.016.1	1	circlip 40
9	0.065.1352.0	1	shim
10	0.065.1351.0	2	shoulder ring
11	0.007.1188.0/30	1	gear Z = 29
12	0.007.1177.3/20		gear z = 57
			- WITH RED IDENTIFICATION STAMP
12.2	2.1559.185.0/10	1	bushing
13	0.007.1178.3/20		gear z = 57
			- WITH YELLOW IDENTIFICATION STAMP
13.2	2.1559.185.0/10	1	bushing
14	0.007.1179.3/20		gear z = 57
			- WITH GREEN IDENTIFICATION STAMP
14.2	2.1559.185.0/10	1	bushing
15	2.0312.205.2	2	screw
16	2.1480.014.1	2	washer 8
17	0.065.1353.0	1	small plate

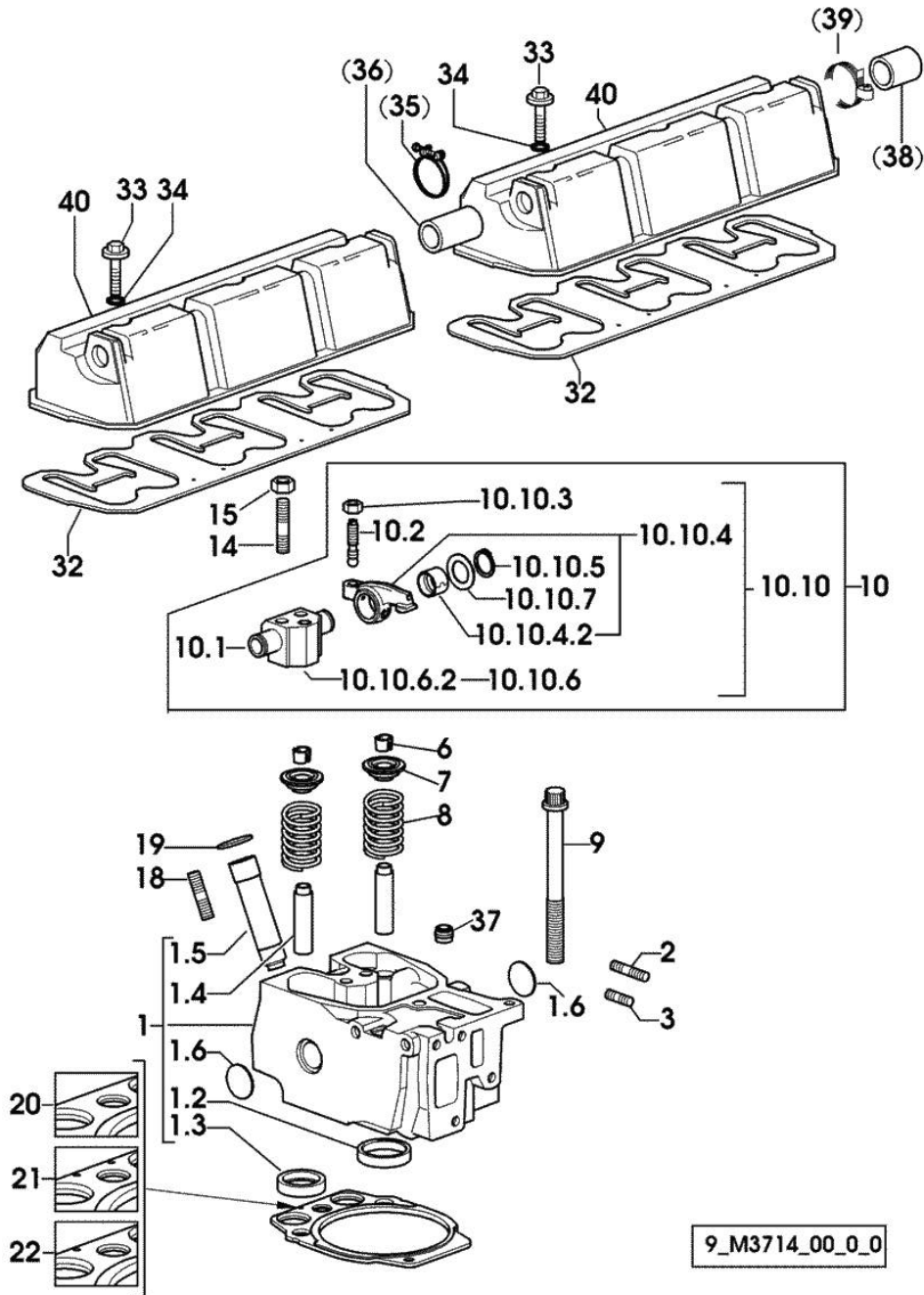
9\_M3713\_00\_0\_0

Section: ENGINE  
CYLINDER HEAD

Fig.	P/n	QTY	Name
------	-----	-----	------

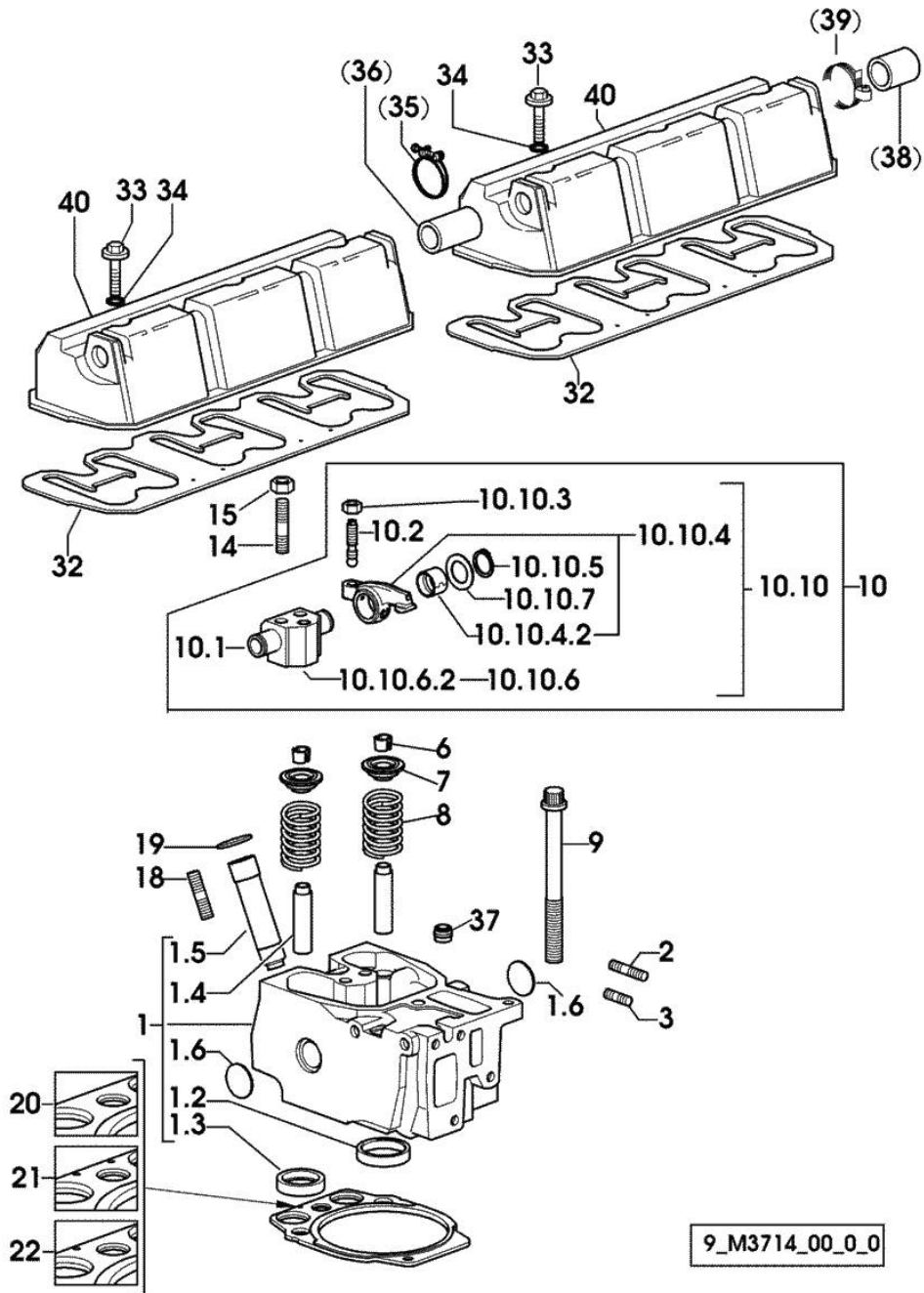
Notes:  
[SILVER 115]

1	0.013.0412.3/60	6	engine head
1.2	0.078.1426.0	1	valve seat
1.3	0.066.1427.0	1	valve seat
1.4	0.007.1779.0/20	2	valve guide
1.5	0.012.9984.0/20	1	bush
1.6	2.3170.012.1	2	expansion plug 30
2	2.0432.011.7	6	stud bolt m 8 p.1.25 / p.1 x 40
3	2.0432.005.7	6	stud bolt m 8 p.1.5 / p.1 x 25
6	0.074.1423.0	24	conical valve cotter
7	0.066.1425.0	12	cup
8	2.4019.287.0	12	spring
9	0.012.2673.0	24	screw m 14 p.2x141
10	0.000.0000.1		cannot be supplied
10.1	0.066.1431.0	1	pin
10.2	0.021.1434.0	2	screw
10.10	0.000.0000.1		cannot be supplied
10.10.3	2.1011.405.2	2	nut m 8 p.1
10.10.4	0.066.1432.3	2	rocker arm
10.10.4.2	2.1559.021.0/40	1	bushing 15x19x22
10.10.5	2.1410.055.7	2	circlip 19
10.10.6	0.000.0000.1		cannot be supplied
10.10.6.2	0.066.1430.0/10	1	support
10.10.7	2.1599.432.0	2	shoulder ring
14	2.0432.163.7	6	stud bolt m 10 p.1.5 / p.1.25 x 45
15	2.1011.421.2	12	nut m 10 p.1.25
18	2.0432.161.7	6	stud bolt m 10 p.1.5 / p.1.25 x 40
19	2.1532.507.0	6	oil seal 17x3.53
20	0.013.1887.0	4	gasket
21	0.013.1888.0	6	gasket
22	0.013.1889.0	2	gasket
32	0.009.3877.0/10	2	tappet gasket
33	2.0399.288.2/10	6	screw m 8x36x46
34	2.1539.151.0	6	special oil seal 9.19 x 2.62
35	2.6859.091.0	2	clamp
36	0.075.1452.0/10	1	sleeve
			5079 <- X SILVER 115
			5270 <- X SILVER 130
37	2.1519.117.0	12	special oil seal
38	0.010.6509.0	1	cap



Section: ENGINE  
CYLINDER HEAD

Fig.	P/n	QTY	Name
39	2.6851.003.0	1	5079 <- X SILVER 115 5270 <- X SILVER 130 clamp Ø 25/40
40	0.014.0696.0	2	5079 <- X SILVER 115 5270 <- X SILVER 130 cover



Section: ENGINE

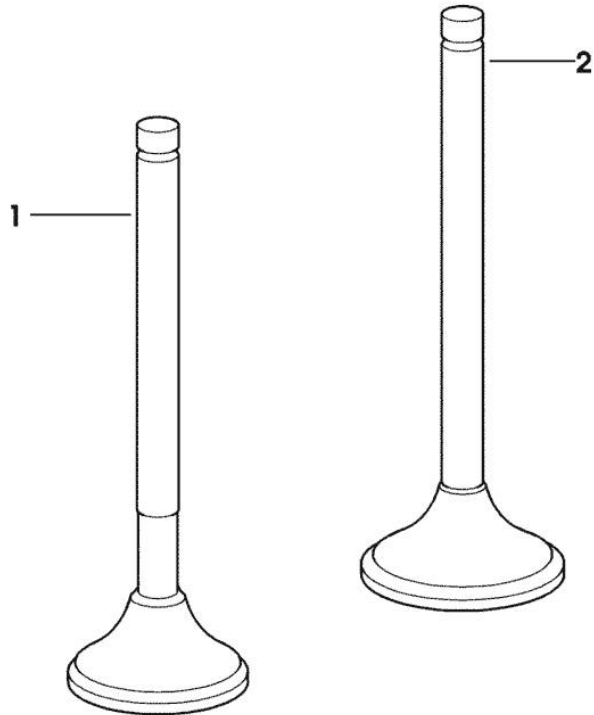
**INLET AND EXHAUST VALVES**

Fig.	P/n	QTY	Name
------	-----	-----	------

**Notes:**

[SILVER 115]

1	0.010.6022.0	6	exhaust valve mm 39.1 / Ø mm 9
2	0.010.6017.0	6	inlet valve mm 43.63 / Ø mm 9



9\_33814\_01\_0\_0

Section: ENGINE

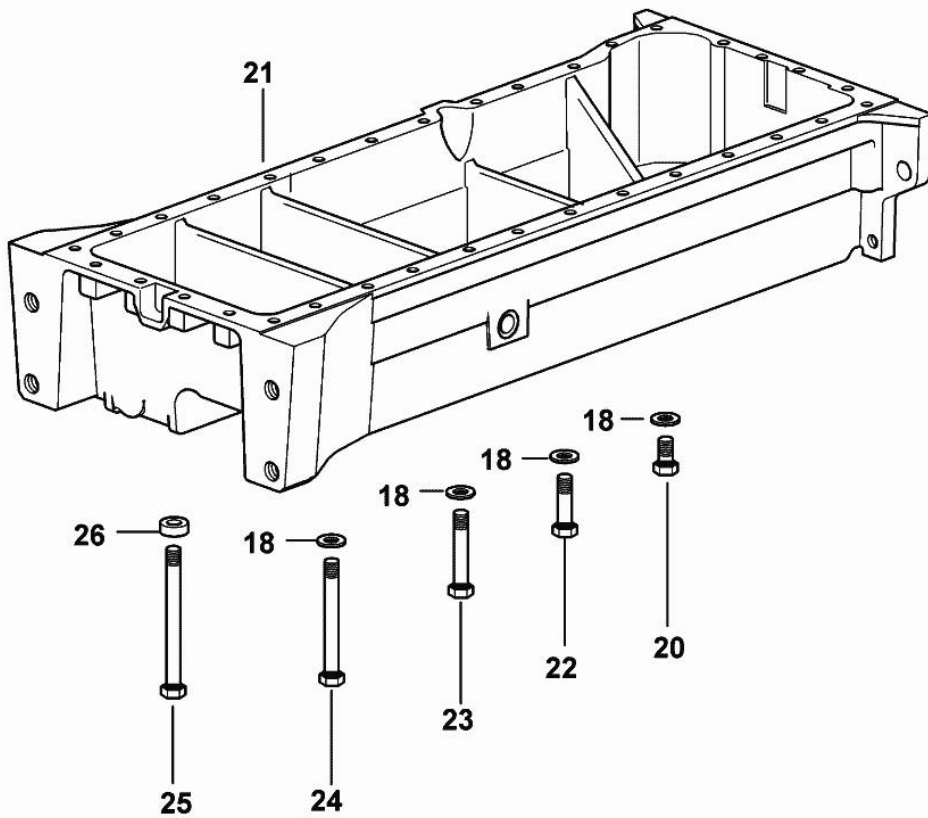
**OIL PAN**

Fig.	P/n	QTY	Name
------	-----	-----	------

**Notes:**

[SILVER 115]

18	2.1470.004.2	34	lock washer 8
20	2.0112.215.2	25	screw m 8 p.1.25 x 40
21	0.007.1311.0/10	1	oil sump
22	2.0112.229.2	3	screw m 8 p.1.25 x 100
23	2.0112.235.2	2	screw m 8 p.1.25 x 130
24	2.0112.241.2	2	screw m 8 p.1.25 x 160
25	2.0112.243.2	2	screw m 8 p.1.25x170
26	2.1579.854.2	2	spacer 8.5x20x5



9\_33615\_02\_0\_A

Section: ENGINE

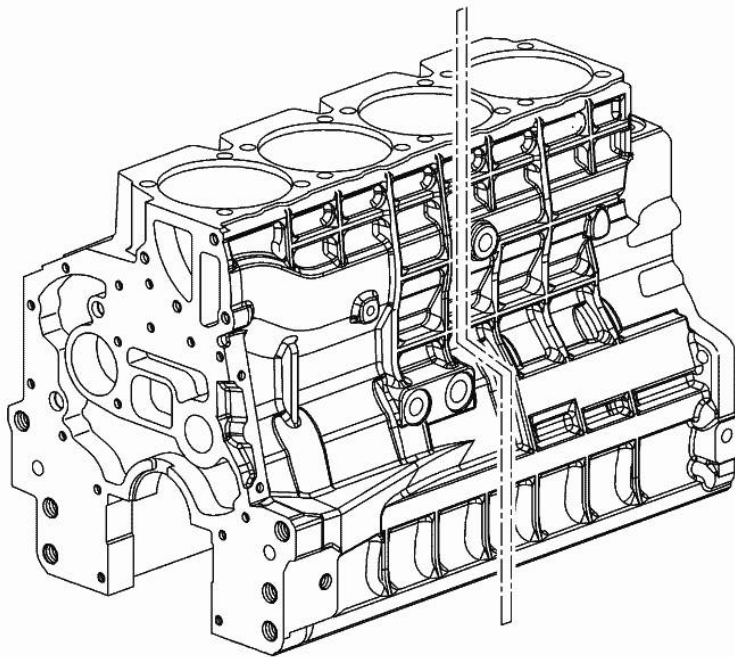
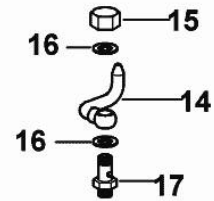
**LUBRICATION**

Fig.	P/n	QTY	Name
------	-----	-----	------

**Notes:**

[SILVER 115]

14	0.086.1550.2	6	sprayer nozzle
15	2.1099.108.2	6	special nut m 10 p.1
16	2.1560.006.0	12	gasket 10.2 x 16
17	0.065.1160.3/20	6	valve



9\_33615\_02\_0\_B

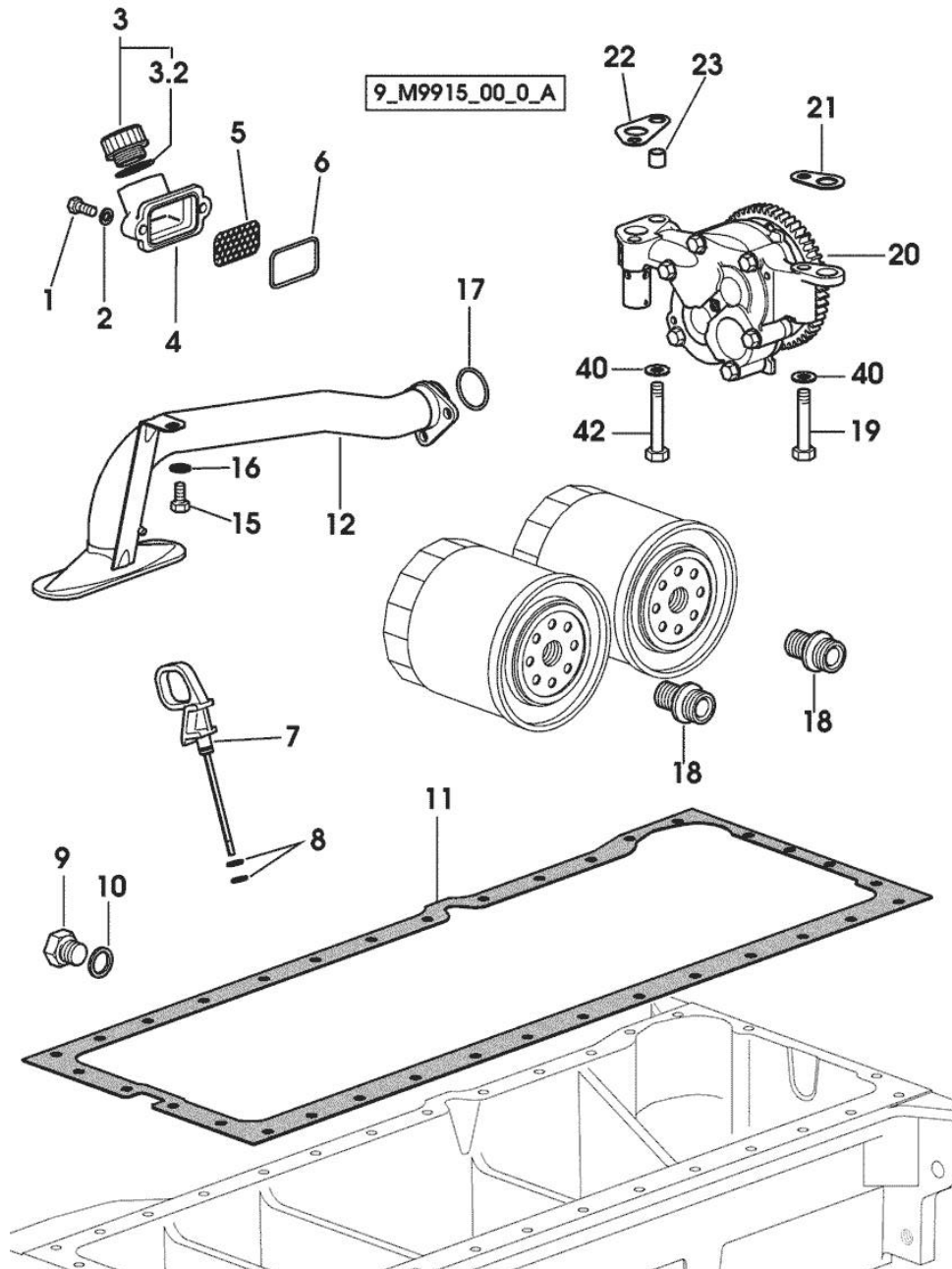
Section: ENGINE  
LUBRICATION

Fig.	P/n	QTY	Name
------	-----	-----	------

Notes:  
[SILVER 115]

1	2.0312.205.2	2	screw
2	2.1480.014.1	2	washer 8
3	0.041.1135.4	1	plug 1" gas
3.2	2.1569.072.0	1	gasket 32 x 39.5 x 2
4	0.013.0942.0/10	1	pipe union
5	0.013.1387.0	1	small mesh
6	2.1533.093.0	1	rubber ring
7	0.080.1513.2/10	1	dipstick
8	2.1539.065.0	2	special oil seal 8.73 x 1.78
9	2.3199.001.2	2	plug 1/2" gas
10	2.1560.054.0	2	gasket 21 x 26
11	0.007.0849.0/10	1	gasket
12	0.011.0087.4	1	tube
15	2.0112.205.2	1	screw m 8 p.1.25 x 16
16	2.1470.004.2	1	lock washer 8
17	2.1539.153.0	1	oil seal 32.99x2.6
18	2.3339.307.0	2	pipe fitting m 22 p.1.5-3/4"
19	2.0112.320.2	2	screw m 10 p.1.5 x 55
20	0.010.0194.4/30	1	oil pump
			COMPONENT PARTS SEE COMPONENTS LIST
			☞ 0.010.0194.4/30
21	0.007.0972.0	5	shim
22	0.007.0973.0	5	shim
23	0.007.0867.0	1	bush
40	2.1310.006.2	3	flat washer 10.5x21
42	2.0112.322.2	1	screw m 10 p.1.5x65



Section: ENGINE  
LUBRICATION

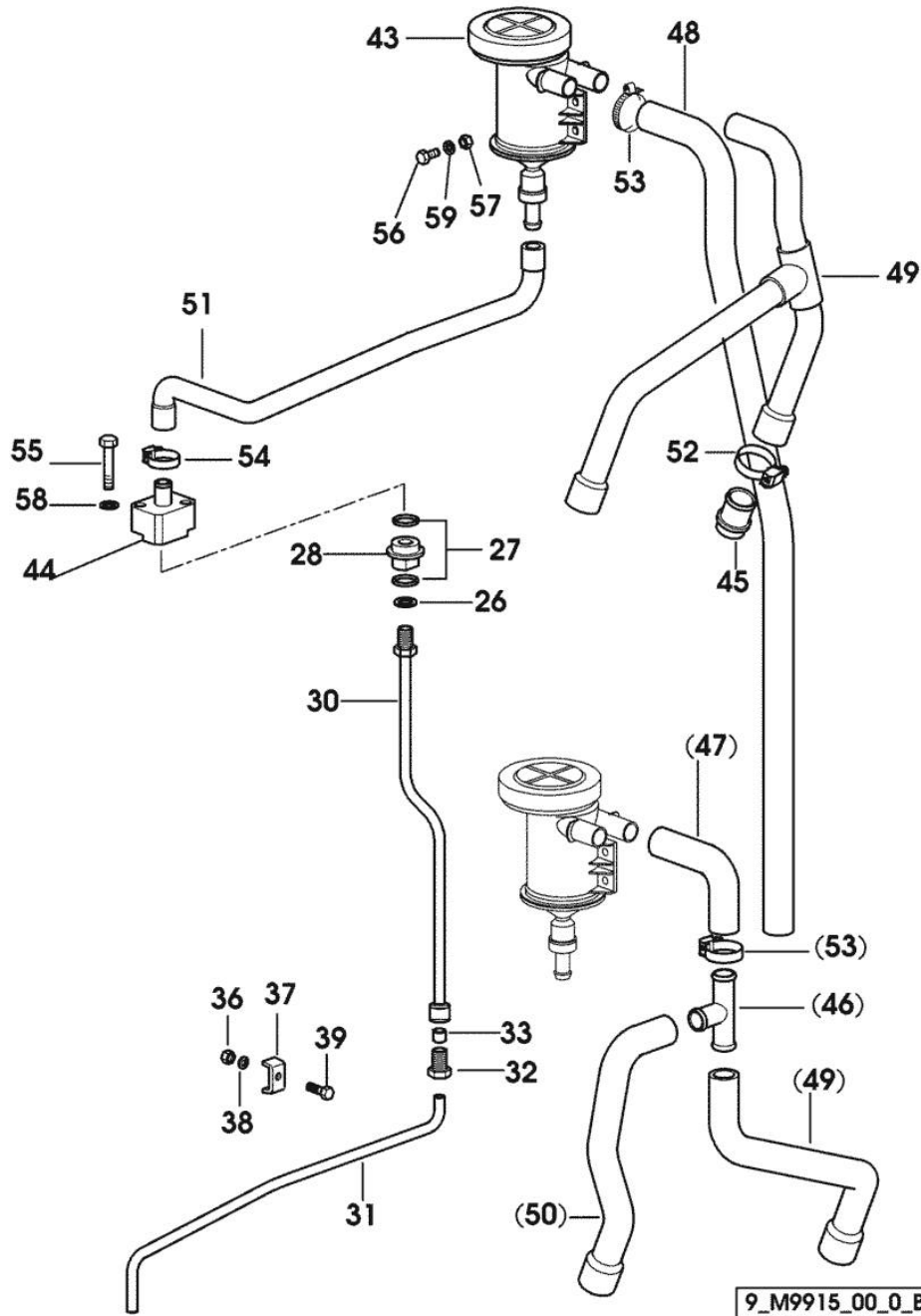


Fig.	P/n	QTY	Name
------	-----	-----	------

Notes:  
[SILVER 115]

26	2.1560.008.0	1	gasket 12.2 x 18
27	2.1539.072.0	2	special oil seal 23.52 x 1.78
28	0.075.1553.0	1	bush
30	0.007.0861.0	1	tube
31	0.007.0970.0	1	tube
32	2.3339.418.1	1	pipe fitting m 12 p.1
33	2.3350.003.1	1	nosepiece 8
36	2.1011.103.2	1	nut m 6 p.1
37	0.002.8816.0	1	small plate
38	2.1310.002.2	1	flat washer 6.4x12.5
39	2.0112.007.2	1	screw m 6 p.1 x 20
43	0.013.5023.0	1	sediment bowl
44	0.013.5294.2/20	1	flange
45	0.011.5918.0/10	2	tube
46	0.013.5012.0	1	tube
			5025 <- X SILVER 115
			5063 <- X SILVER 130
47	0.013.5279.0	1	tube
			5025 <- X SILVER 115
			5063 <- X SILVER 130
48	0.013.5295.0	1	tube
			5025 <- X SILVER 115
			5063 <- X SILVER 130
48	0.013.5295.0/10	1	tube
			-> 5026 X SILVER 115
			-> 5064 X SILVER 130
49	0.013.5289.0	1	tube
			5025 <- X SILVER 115
			5063 <- X SILVER 130
49	0.013.5837.0	1	tube
			-> 5026 X SILVER 115
			-> 5064 X SILVER 130
50	0.013.5290.0	1	tube
			5025 <- X SILVER 115
			5063 <- X SILVER 130
51	0.013.5255.0	1	tube
			5025 <- X SILVER 115
			5063 <- X SILVER 130
51	0.013.5255.0/10	1	tube
			-> 5026 - 5030 <- X SILVER 115
			-> 5064 - 5102 <- X SILVER 130

Section: ENGINE  
LUBRICATION

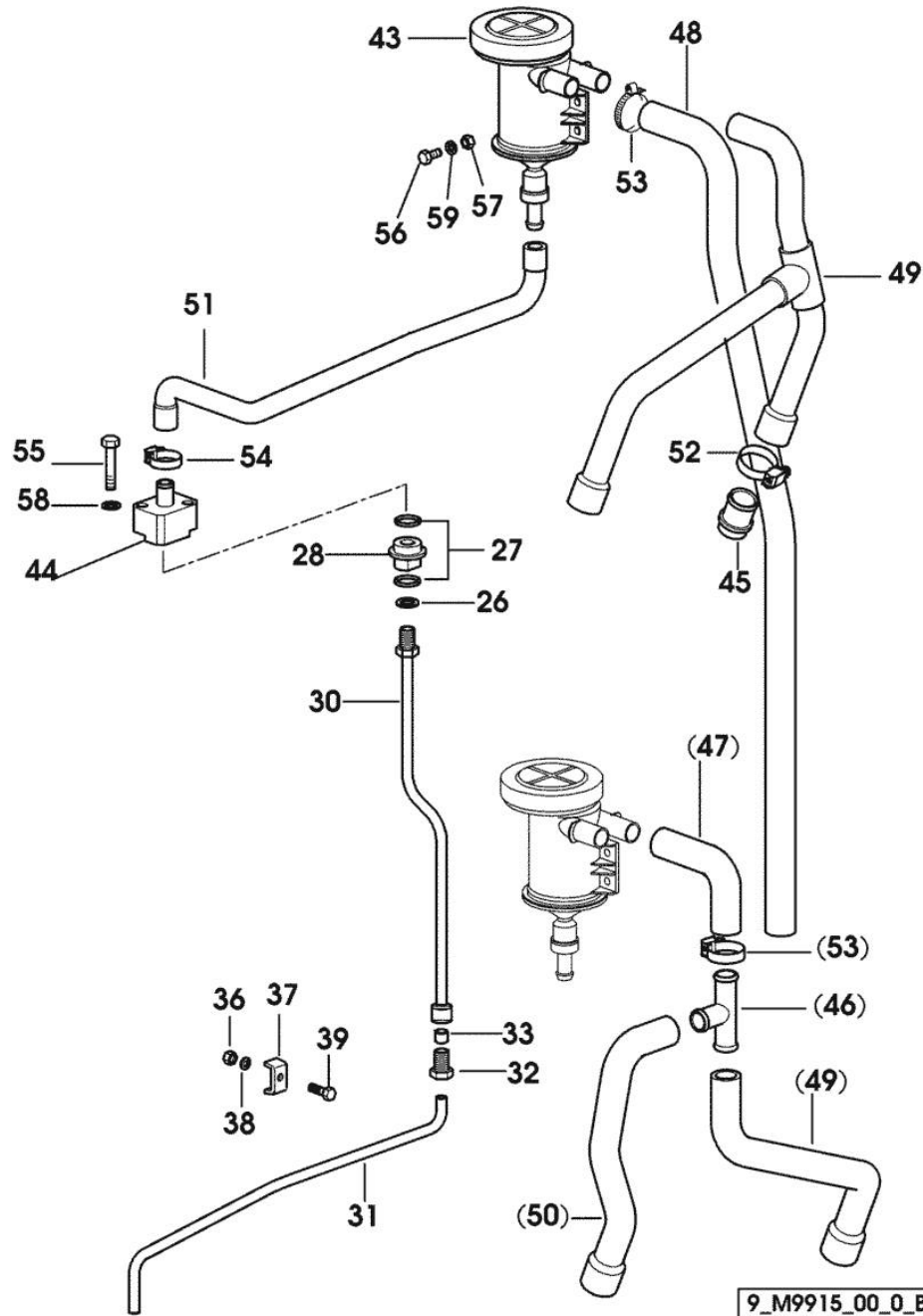


Fig.	P/n	QTY	Name
51	0.013.5255.0/30	1	tube -> 5031 X SILVER 115 -> 5103 X SILVER 130
52	2.6851.003.0	3	clamp Ø 25/40
53	2.6850.004.0	5	clamp 5025 <- X SILVER 115 5063 <- X SILVER 130
53	2.6851.002.0	2	clamp Ø 20/32 -> 5026 X SILVER 115 -> 5064 X SILVER 130
54	2.6851.001.0	2	clamp Ø 16/25
55	2.0112.215.2	2	screw m 8 p.1.25 x 40
56	2.0112.007.2	2	screw m 6 p.1 x 20
57	2.1120.103.2	2	nut m 6
58	2.1474.009.2	2	spring washer 8
59	2.1310.002.2	2	flat washer 6.4x12.5

Section: ENGINE

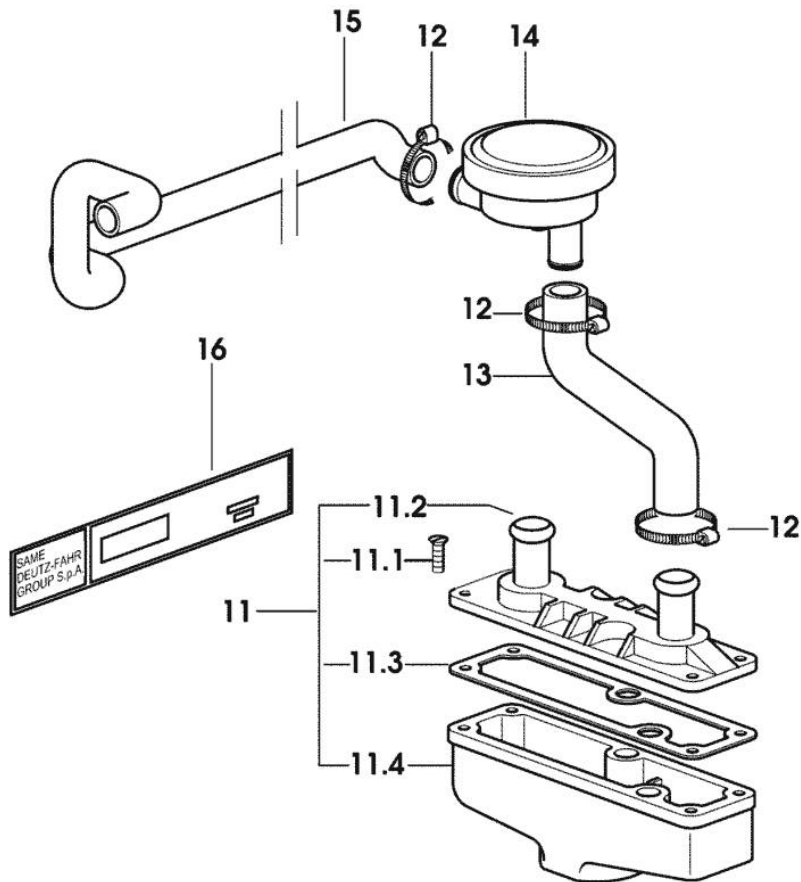
**LUBRICATION - EXPORT U.S.A.**

Fig.	P/n	QTY	Name
------	-----	-----	------

**Notes:**

5025 &lt;- X SILVER 115 5075 &lt;- X SILVER 130 [SILVER 115]

11	0.010.6512.4	1	sediment bowl
11.1	2.0351.203.6	4	screw 3.5x9.5
11.2	0.010.6513.3	1	cover
11.3	0.075.1559.0	1	gasket
11.4	0.010.6512.0	1	sediment bowl
12	2.6850.004.0	4	clamp
13	0.010.6508.0/10	1	tube
14	0.010.6507.0	1	valve
15	0.010.6511.0	1	tube
16	0.000.0000.1		cannot be supplied



9\_33915\_20\_0\_0

Section: ENGINE

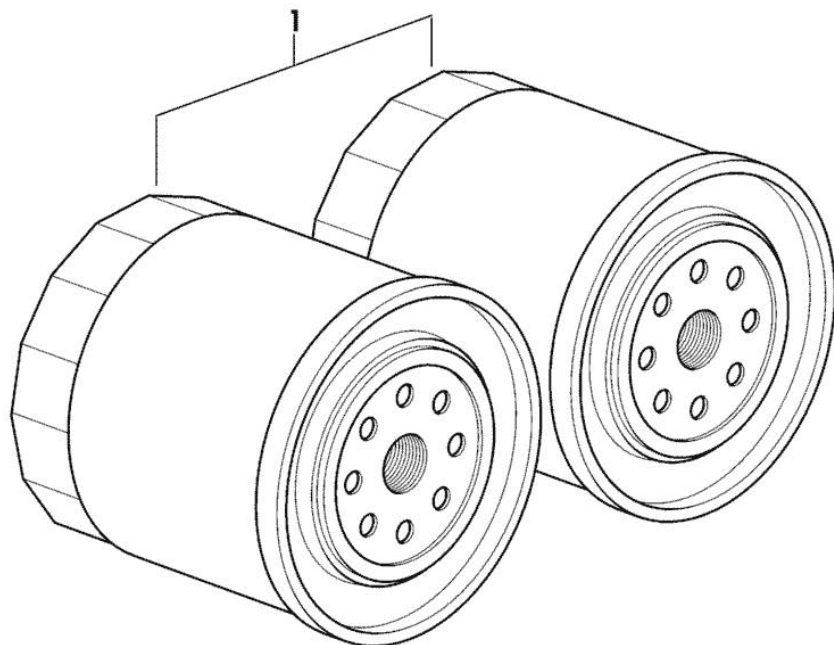
**OIL FILTERS**

Fig.	P/n	QTY	Name
------	-----	-----	------

**Notes:**

[SILVER 115]

1	2.4419.340.0	2	oil filter element
---	--------------	---	--------------------



9\_33815\_02\_0\_0

Thank you so much for reading.  
Please click the “Buy Now!”  
button below to download the  
complete manual.



After you pay.

You can download the most  
perfect and complete manual in  
the world immediately.

Our support email:

[ebooklibonline@outlook.com](mailto:ebooklibonline@outlook.com)