

Section: ENGINE
CRANKCASE

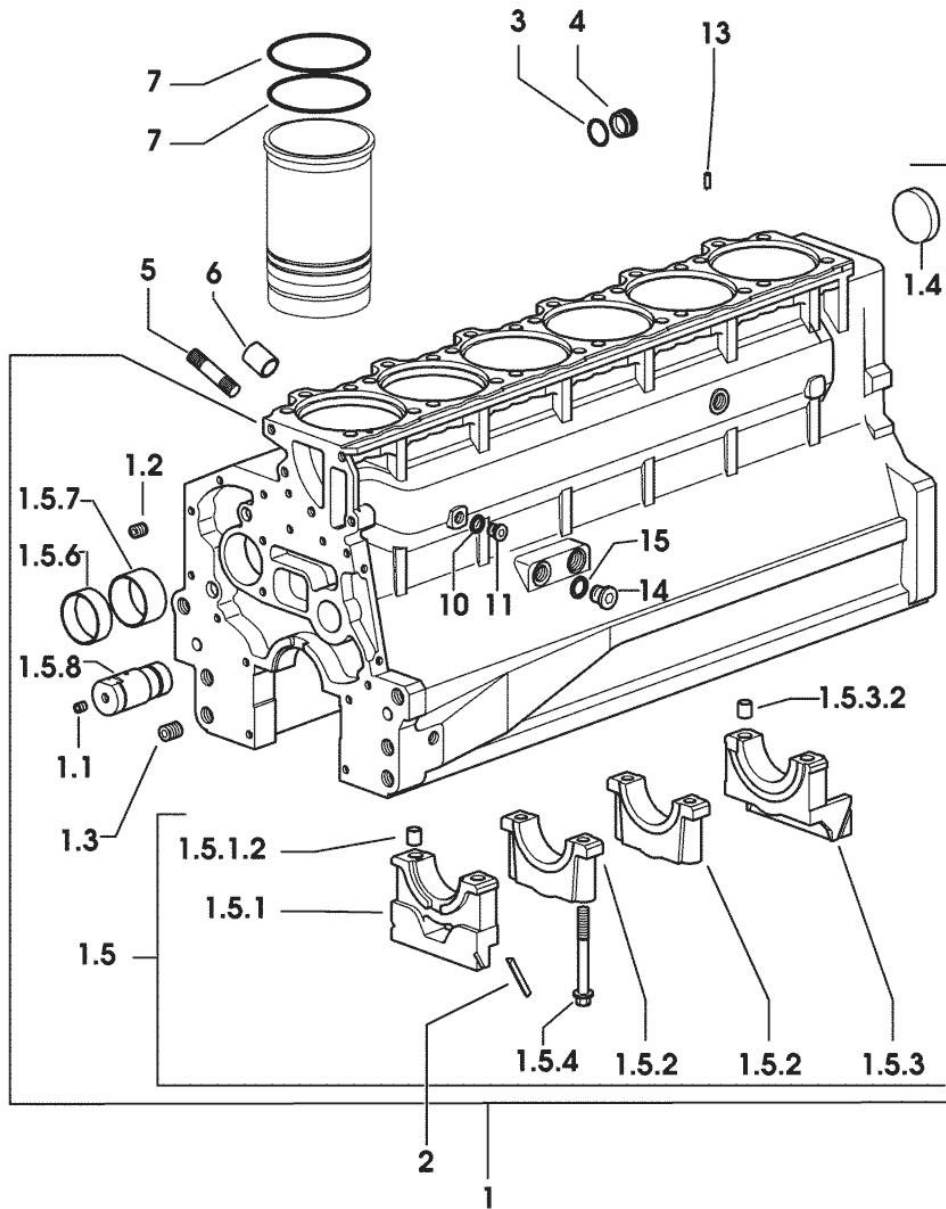


Fig.	P/n	QTY	Name
------	-----	-----	------

Notes:
 [SILVER 160]

1	0.007.1102.6/20	1	crankcase
1.1	2.3130.001.1	14	plug 1/8" gas
1.2	2.3130.002.1	2	plug 1/4" gas
1.3	2.3130.003.1	8	plug 3/8" gas
1.4	2.3179.012.0	1	plug 60
1.5	0.000.0000.1		cannot be supplied
1.5.1	0.065.1112.7	1	support
1.5.1.2	2.1699.165.0	1	bush 12.3x15x16
1.5.2	0.065.1114.0/10	5	support
1.5.3	0.007.0848.3/10	1	support
1.5.3.2	2.1699.165.0	1	bush 12.3x15x16
1.5.4	0.065.1117.0	14	screw m 12 x 100
1.5.6	0.065.1140.0	6	special bushing 59X55X20
1.5.7	0.065.1141.0	1	special bushing 59X55X30
1.5.8	0.066.1151.0	1	pin
2	0.066.1152.0/10	4	gasket
3	2.1532.072.0	1	oil seal 26.70x1.78
4	2.3199.405.2	1	plug m 28 p.1.5
5	2.0432.003.7	18	stud bolt m 8 p.1.25 / p.1 x 20
6	2.1559.188.2	6	bush 11.4 x 14 x16
7	2.1539.193.0	12	special oil seal 107.62x2.62
10	2.1560.010.0	1	gasket 14.2 x 20
11	2.3199.292.0	1	plug 1/4" gas
13	2.1549.154.2	6	bush 4.8x5.8x16
14	2.3120.101.0	1	plug m 18 p.1.5
15	2.1560.014.0	1	washer 18.2 x 24

9_01311_00_0_0

Section: ENGINE

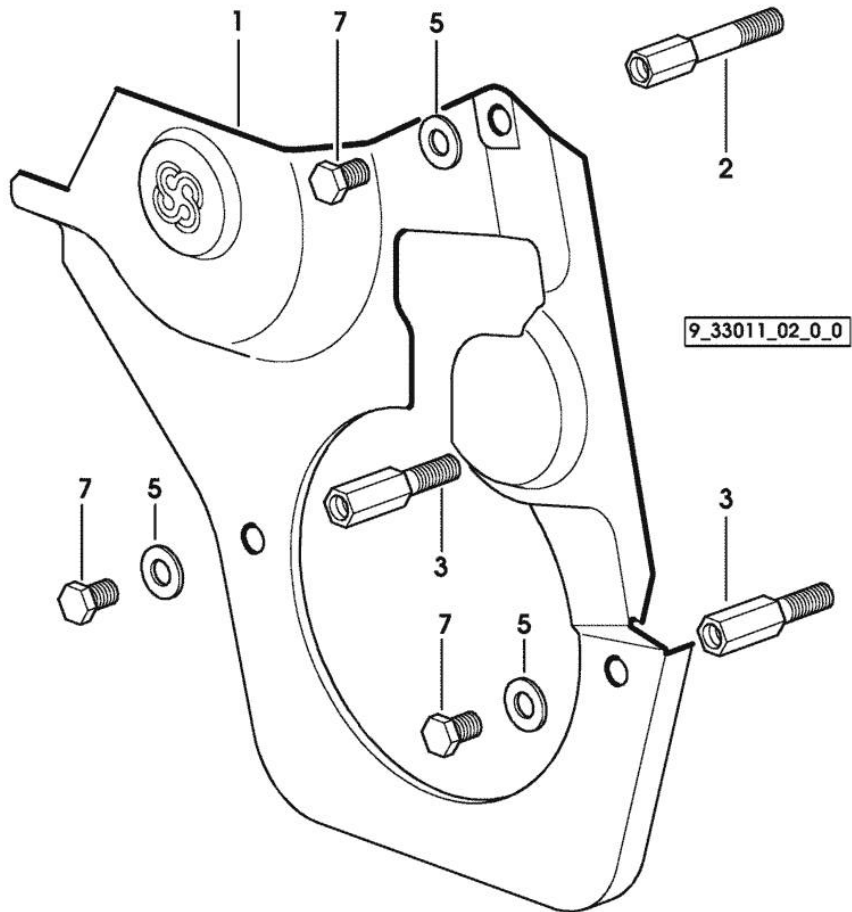
GUARD PLATE

Fig.	P/n	QTY	Name
------	-----	-----	------

Notes:

[SILVER 160]

1	0.007.1262.3/50	1	guard
2	0.007.1271.0/10	1	small column m 8 p.1.25 / L = mm 60
3	0.007.1272.0/10	2	small column m 8 p.1.25 / L = mm 50
5	2.1310.004.2	3	flat washer 8.4x17
7	2.0112.203.2	3	screw m 8 p.1.25 x 12



9_33611_01_0_0

SILVER 160

Ref: 01.00.5

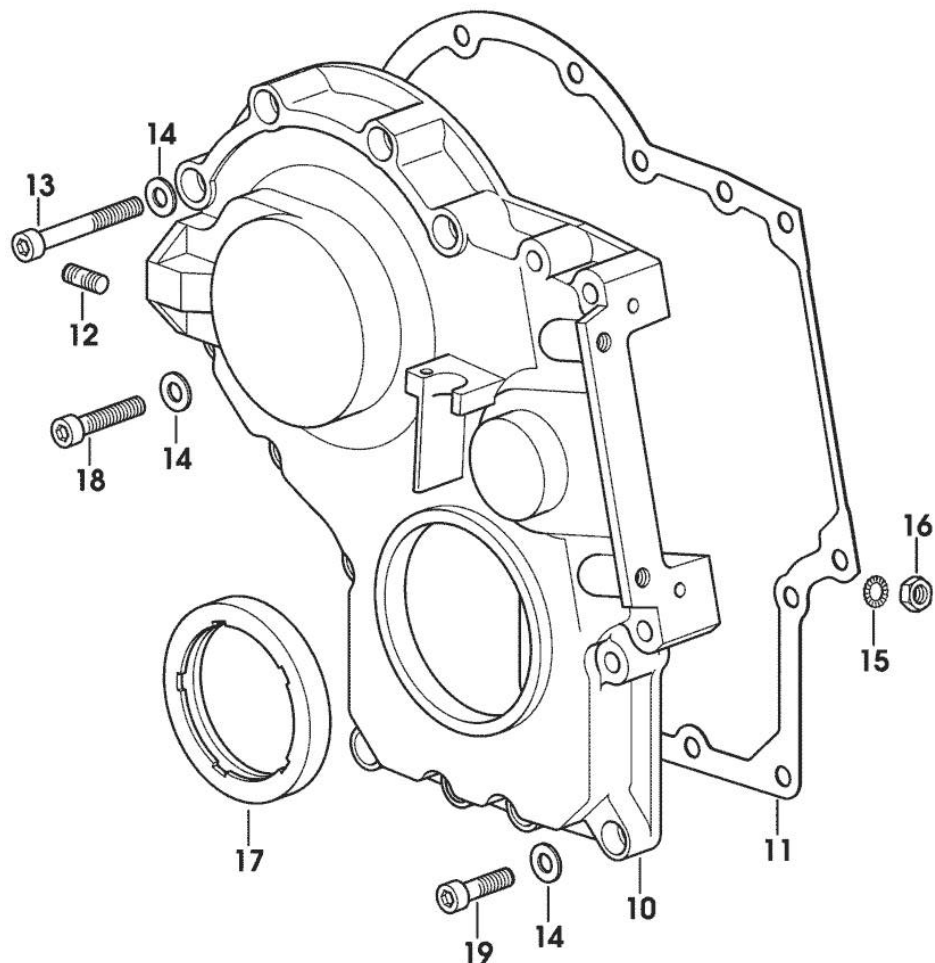
Section: ENGINE

TIMING CASE

Fig.	P/n	QTY	Name
------	-----	-----	------

Notes:
[SILVER 160]

10	0.013.4981.0	1	guard
11	0.065.1150.0/30	1	gasket
12	2.0432.003.7	2	stud bolt m 8 p.1.25 / p.1 x 20
13	2.0312.219.2	4	screw m 8 p.1.25x65
14	2.1480.014.1	15	washer 8
15	2.1470.004.2	4	lock washer 8
16	2.1011.405.2	2	nut m 8 p.1
17	2.1529.141.0	1	special oil seal
18	2.0312.214.2	3	screw m 8 p.1.25 x 40
19	2.0312.208.2	8	screw m 8 p.1.25 x 25

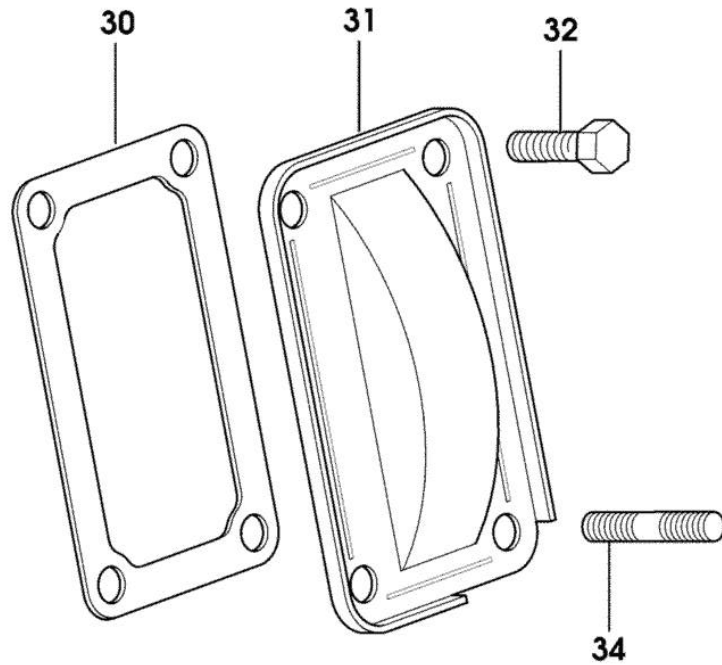


Section: ENGINE
CASING COVER

Fig.	P/n	QTY	Name
------	-----	-----	------

Notes:
[SILVER 160]

30	0.065.1152.0	1	gasket
31	0.065.1151.0	1	cover
32	2.0112.205.2	2	screw m 8 p.1.25 x 16
34	2.0432.005.7	2	stud bolt m 8 p.1.5 / p.1 x 25



9_33011_04_0_0

Section: ENGINE

CONNECTING FLANGE

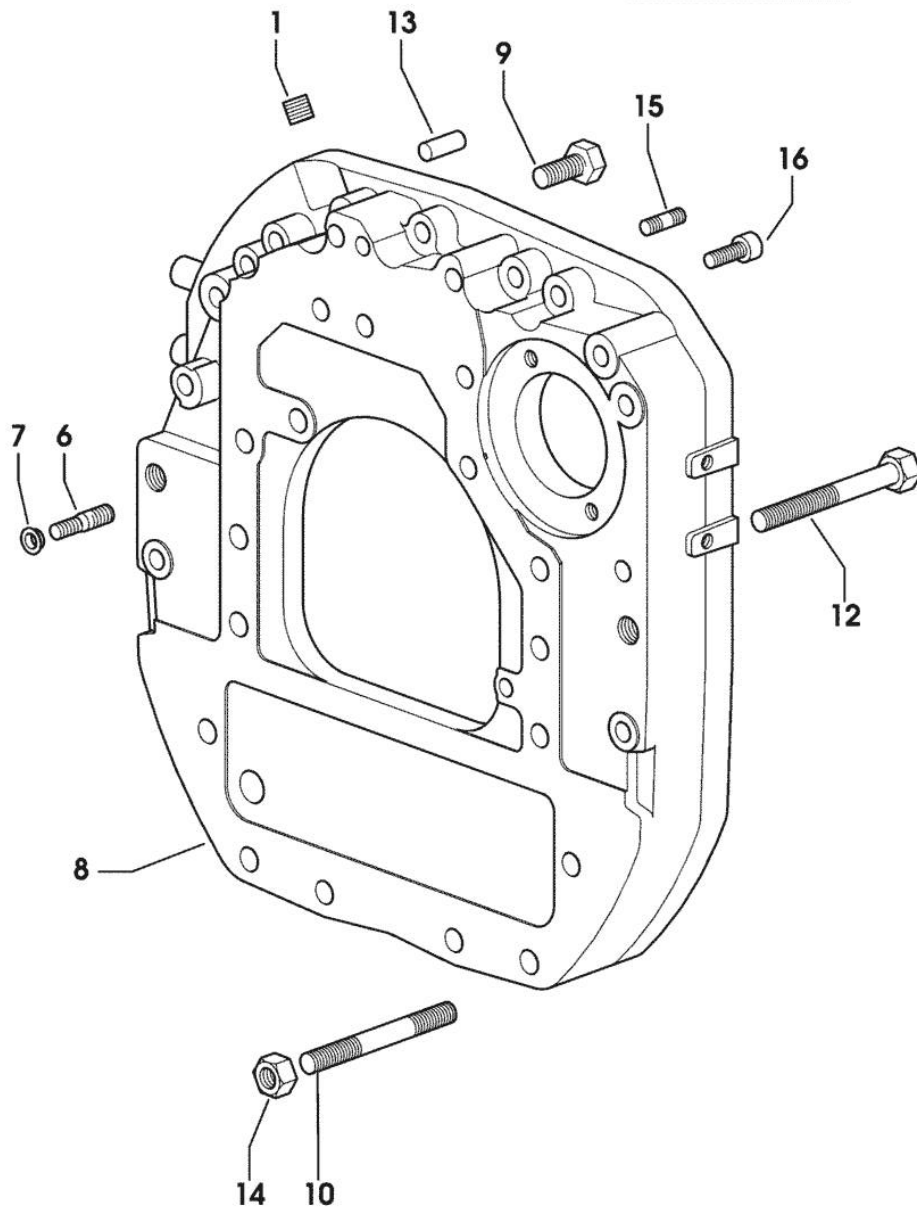
9_34611_01_0_0

Fig.	P/n	QTY	Name
------	-----	-----	------

Notes:

[SILVER 160]

1	2.3131.003.2	1	plug m 16 p.1.5
6	2.0439.250.7	1	stud bolt m 12 / m 10 x 30
7	0.011.9294.0/10	1	bush
8	0.007.0809.0/20	1	flange
9	2.0112.513.2	11	screw m 14 p.2 x 35
10	2.0432.328.7	4	stud bolt m 14 p.2-1.5x130
12	2.0112.534.2	2	screw m 14 p.2x125
13	2.1651.911.0	2	cylindrical plug
14	2.1011.108.2	4	nut m 14 p.2
15	2.0432.257.7	1	stud bolt m 12 p.1.75 - 1.25 x 30
16	2.0312.520.2	2	screw m 14 p.2x70

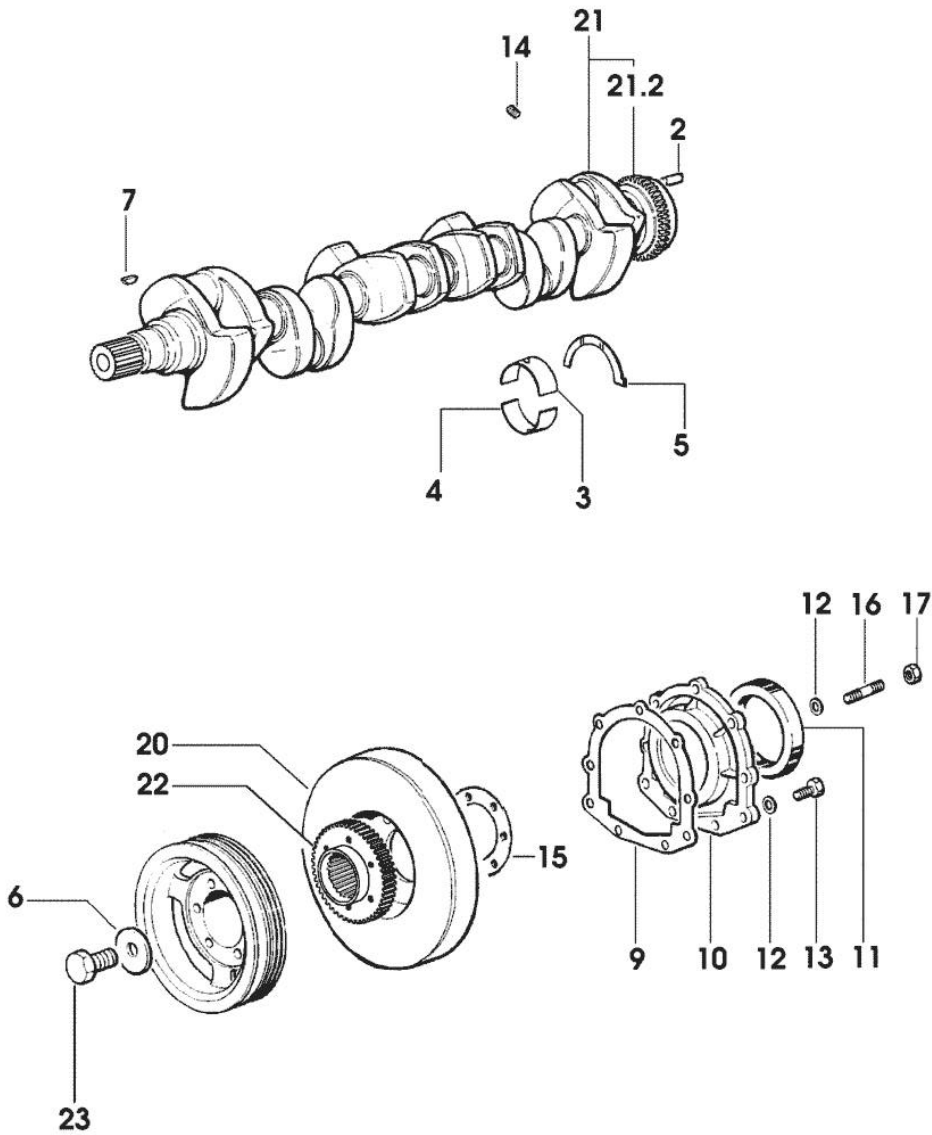


Section: ENGINE
CRANKSHAFT

Fig.	P/n	QTY	Name
------	-----	-----	------

Notes:
 [SILVER 160]

2	2.1651.915.0	1	pin 12x35
3	0.065.1215.0	7	main half bushing STANDARD
3	0.065.1215.7		main half bushing - mm 0.25
3	0.065.1215.8		main half bushing - mm 0.50
4	0.065.1216.0	7	main half bushing
4	0.065.1216.7		main half bushing - mm 0.25
4	0.065.1216.8		main half bushing - mm 0.50
5	0.065.1218.0	4	shim STANDARD
5	0.065.1218.7		shim + mm 0.10
5	0.065.1218.8		shim + mm 0.15
6	2.1599.524.7	1	washer 21x60x12
7	2.1720.006.0	1	key 4x6.5
9	0.065.1254.0/20	1	gasket
10	0.007.0851.0/10	1	cover
11	2.1529.073.0	1	special oil seal 110x130x13
12	2.1475.002.2	9	conical washer 8
13	2.0112.207.2	7	screw m 8 p 1.25 x 20
14	2.3130.001.1	6	plug 1/8" gas
15	2.1589.137.0	2	shoulder ring 71x110x1
16	2.0432.003.7	2	stud bolt m 8 p.1.25 / p.1 x 20
17	2.1011.105.2	2	nut m 8 p.1.25
20	0.009.3704.3	1	antivibration pulley
21	0.010.4320.3/20	1	crankshaft
21.2	0.007.0855.0/10	1	gear
22	0.011.2206.0/10	1	hub
23	2.0399.144.7/10	1	screw m 20 p.1.5x51



9_37912_00_0_0

Section: ENGINE

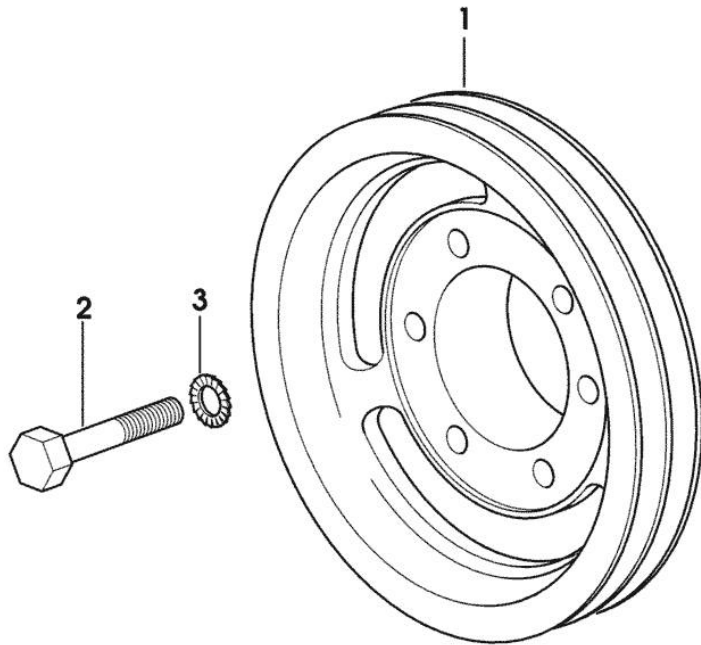
CRANKSHAFT PULLEY

Fig.	P/n	QTY	Name
------	-----	-----	------

Notes:

[SILVER 160]

1	0.007.0962.0/30	1	pulley
2	2.0112.322.2	6	screw m 10 p.1.5x65
3	2.1470.006.2	6	lock washer 10



9_33712_01_0_0

CYLINDER - PISTON - CONNECTING ROD

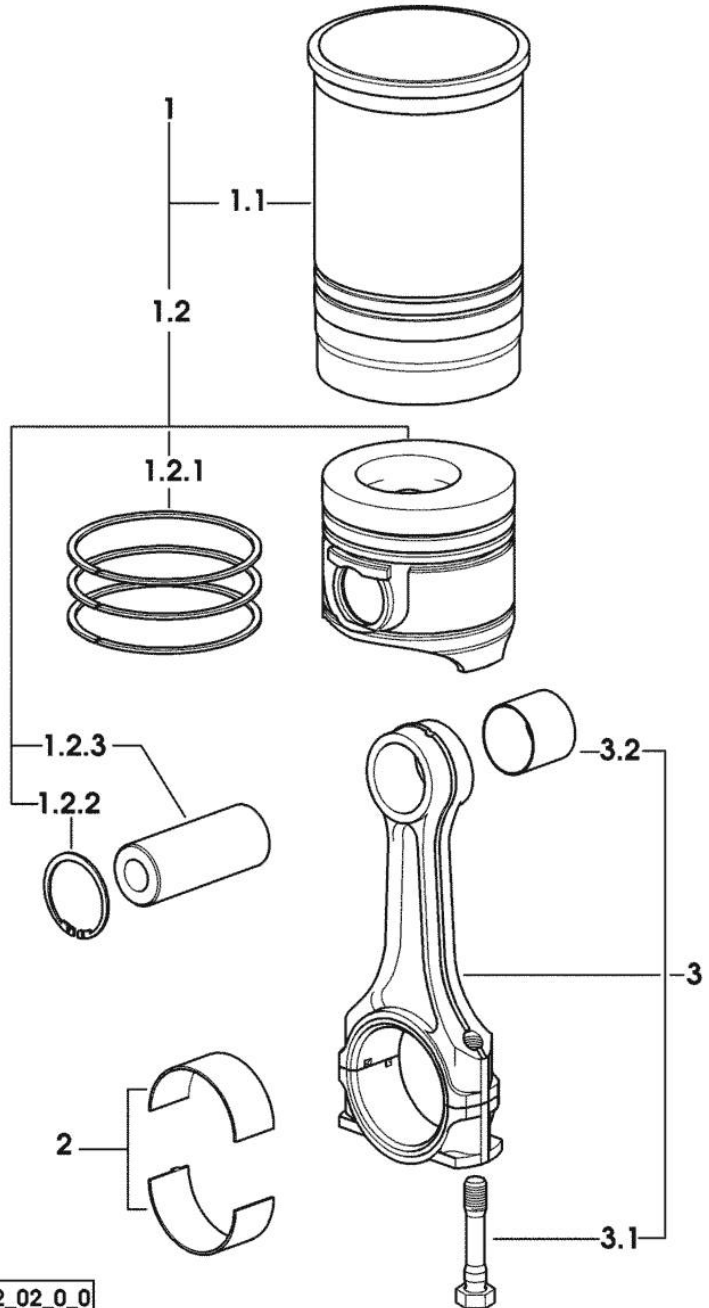


Fig.	P/n	QTY	Name
------	-----	-----	------

Notes:
[SILVER 160]

1	0.384.0065.A	6	cyl. piston assembly "A" - CLASS A
1	0.384.0065.B	6	cyl. piston assembly "B" - CLASS B
1.1	0.A12.2675.0	1	engine cylinder "A" - CLASS A
1.1	0.B12.2675.0	1	engine cylinder "B" - CLASS B
1.2	0.383.0060.A	1	complete piston "A" - CLASS A
1.2	0.383.0060.B	1	complete piston "B" - CLASS B
1.2.1	0.338.0052.6/20	1	piston ring set
1.2.2	2.1411.014.1	2	circlip 35
1.2.3	0.078.1236.0	1	piston pin Ø 18 / Ø 35 / L = mm 86
2	0.065.1225.0	12	con.rod half bushing STANDARD - A = 28.75 -> 29.00
2	0.065.1225.7	12	con.rod half bushing - mm 0.25
2	0.065.1225.8	12	con.rod half bushing - mm 0.50
3	0.078.1220.3/30	6	engine connecting rod
3.1	2.0399.213.0	2	screw m 12 p.1.25x61.5
3.2	2.1559.114.0/10	1	special bushing

9_38312_02_0_0

Section: ENGINE

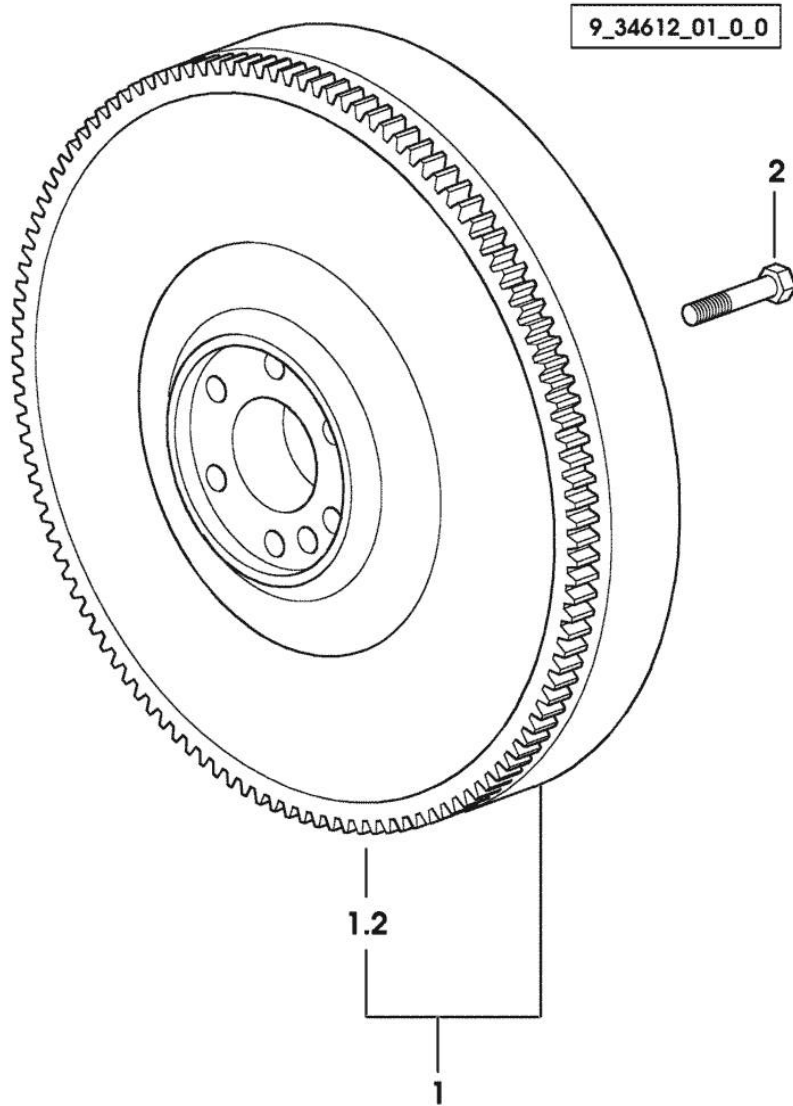
ENGINE FLYWHEEL

Fig.	P/n	QTY	Name
------	-----	-----	------

Notes:

[SILVER 160]

1	0.007.0655.3/20	1	flywheel
1.2	0.065.1242.0	1	crown wheel Z = 123
2	2.0119.174.0/10	6	screw m 12 p.1.25x45



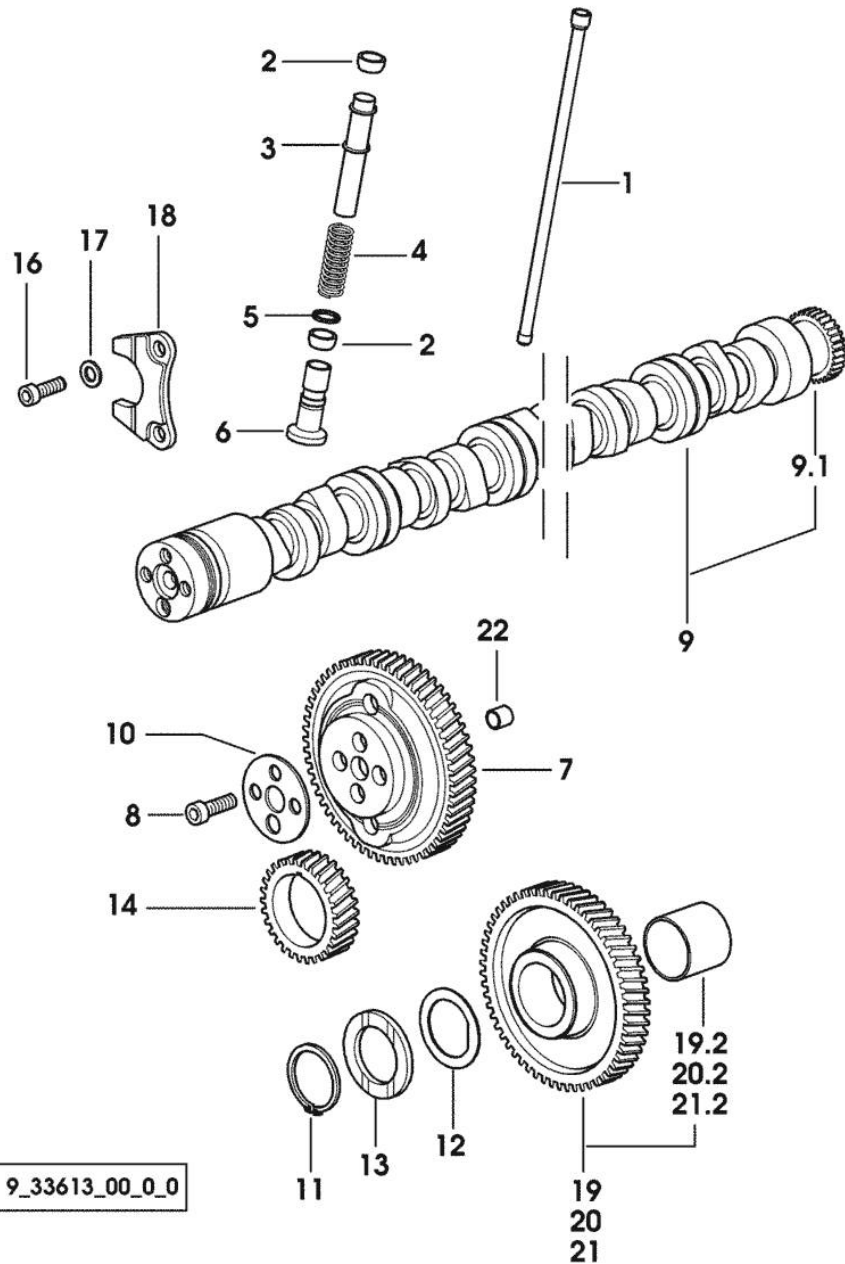
Section: ENGINE

CAMSHAFT

Fig.	P/n	QTY	Name
------	-----	-----	------

Notes:
[SILVER 160]

1	0.065.1331.2	12	rod
2	2.1569.114.0/10	24	gasket 14x18.5x8
3	0.065.1332.0	12	sleeve
4	2.4019.300.1/10	12	spring 18.5x52x2
5	2.1599.437.0	12	shoulder ring
6	0.065.1330.0	12	tappets
7	0.065.1354.0/20	1	gear z=58
8	2.0132.207.2	4	screw m 10 p.1 x 25
9	0.075.1310.3/30	1	camshaft
9.1	0.065.1324.0/10	1	gear Z = 32
10	0.065.1350.0	1	small disc
11	2.1410.016.1	1	circlip 40
12	0.065.1352.0	1	shim
13	0.065.1351.0	2	shoulder ring
14	0.007.1188.0/30	1	gear Z = 29
16	2.0312.205.2	2	screw
17	2.1480.014.1	2	washer 8
18	0.065.1353.0	1	small plate
19	0.007.1177.3/20		gear z = 57
			- WITH RED IDENTIFICATION STAMP
19.2	2.1559.185.0/10	1	bushing
20	0.007.1178.3/20		gear z = 57
			- WITH YELLOW IDENTIFICATION STAMP
20.2	2.1559.185.0/10	1	bushing
21	0.007.1179.3/20	1	gear z = 57
			- WITH GREEN IDENTIFICATION STAMP
21.2	2.1559.185.0/10	1	bushing
22	2.1559.398.0	1	bushing 10.5x13x12



Section: ENGINE
CYLINDER HEAD

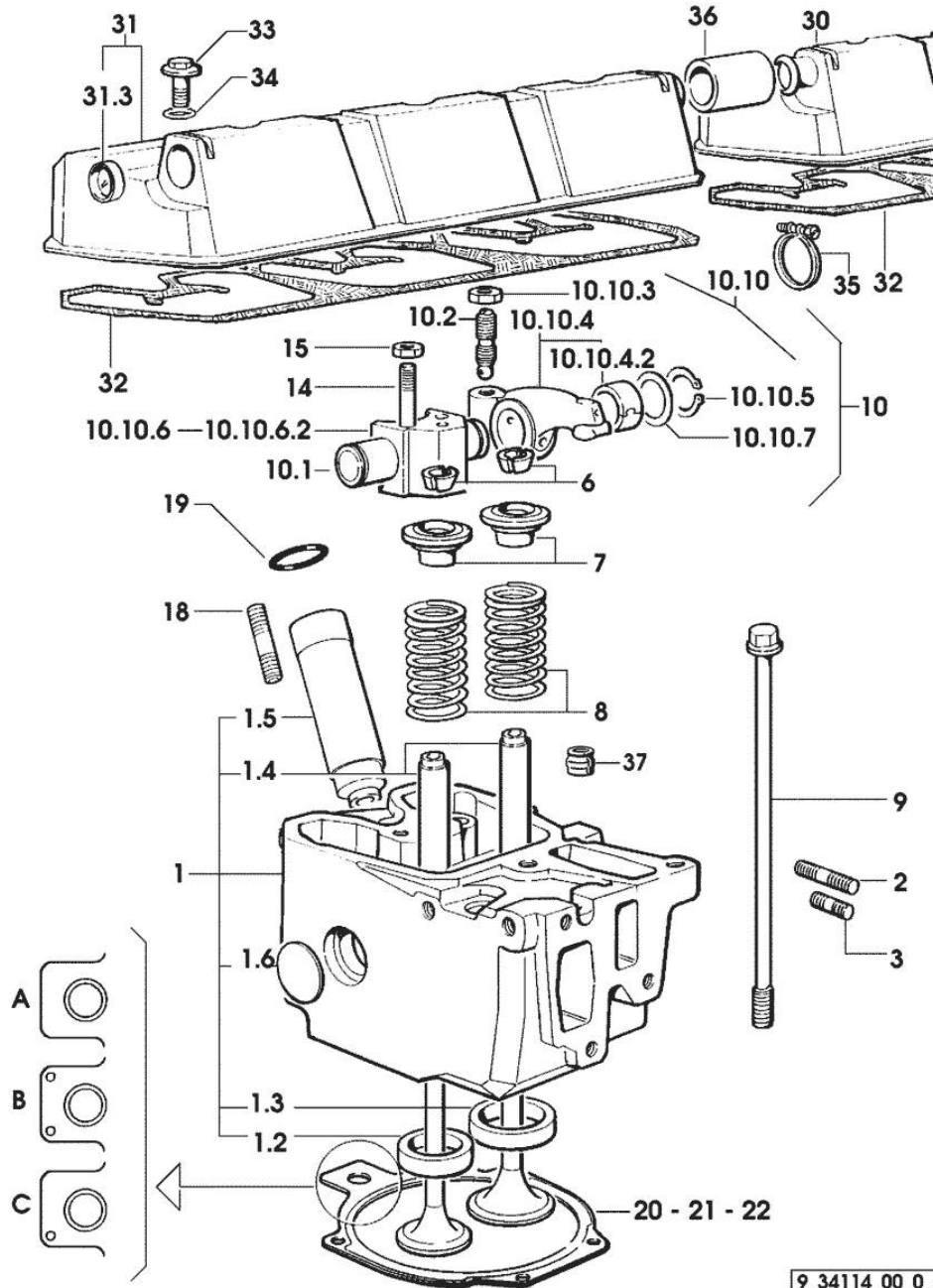


Fig.	P/n	QTY	Name
Notes: [SILVER 160]			
1	0.007.1360.3/60	6	head
1.2	0.078.1426.0	1	valve seat
1.3	0.066.1427.0	1	valve seat
1.4	0.007.1779.0/10	2	valve guide
1.5	0.010.6041.0	1	bush
1.6	2.3170.012.1	2	expansion plug 30
2	2.0432.011.7	6	stud bolt m 8 p.1.25 / p.1 x 40
3	2.0432.005.7	6	stud bolt m 8 p.1.5 / p.1 x 25
6	0.074.1423.0	24	conical valve cotter
7	0.066.1425.0	12	cup
8	2.4019.287.0	12	spring
9	0.012.2673.0	24	screw m 14 p.2x141
10	0.000.0000.1		cannot be supplied
10.1	0.066.1431.0	1	pin
10.2	0.021.1434.0	2	screw
10.10	0.000.0000.1		cannot be supplied
10.10.3	2.1011.405.2	2	nut m 8 p.1
10.10.4	0.066.1432.3	2	rocker arm
10.10.4.2	2.1559.021.0/40	1	bushing 15x19x22
10.10.5	2.1410.055.7	2	circlip 19
10.10.6	0.000.0000.1		cannot be supplied
10.10.6.2	0.066.1430.0/10	1	support
10.10.7	2.1599.432.0	2	shoulder ring
14	2.0432.163.7	6	stud bolt m 10 p.1.5 / p.1.25 x 45
15	2.1011.421.2	12	nut m 10 p.1.25
18	2.0432.161.7	6	stud bolt m 10 p.1.5 / p.1.25 x 40
19	2.1530.051.0	6	oil seal 20.22x3.53
20	0.078.1451.0/40		head gasket -A-
21	0.078.1452.0/30		head gasket -B-
22	0.078.1453.0/40		head gasket -C-
30	0.078.1450.3	1	cover 3541 <- X SILVER 160 1545 <- X SILVER 180
30	0.078.1450.3/10	1	cover -> 3542 X SILVER 160 -> 1546 X SILVER 180
31	0.078.1440.3	1	cover 3541 <- X SILVER 160 1545 <- X SILVER 180
31	0.078.1440.3/10	1	cover -> 3542 X SILVER 160

Section: ENGINE
CYLINDER HEAD

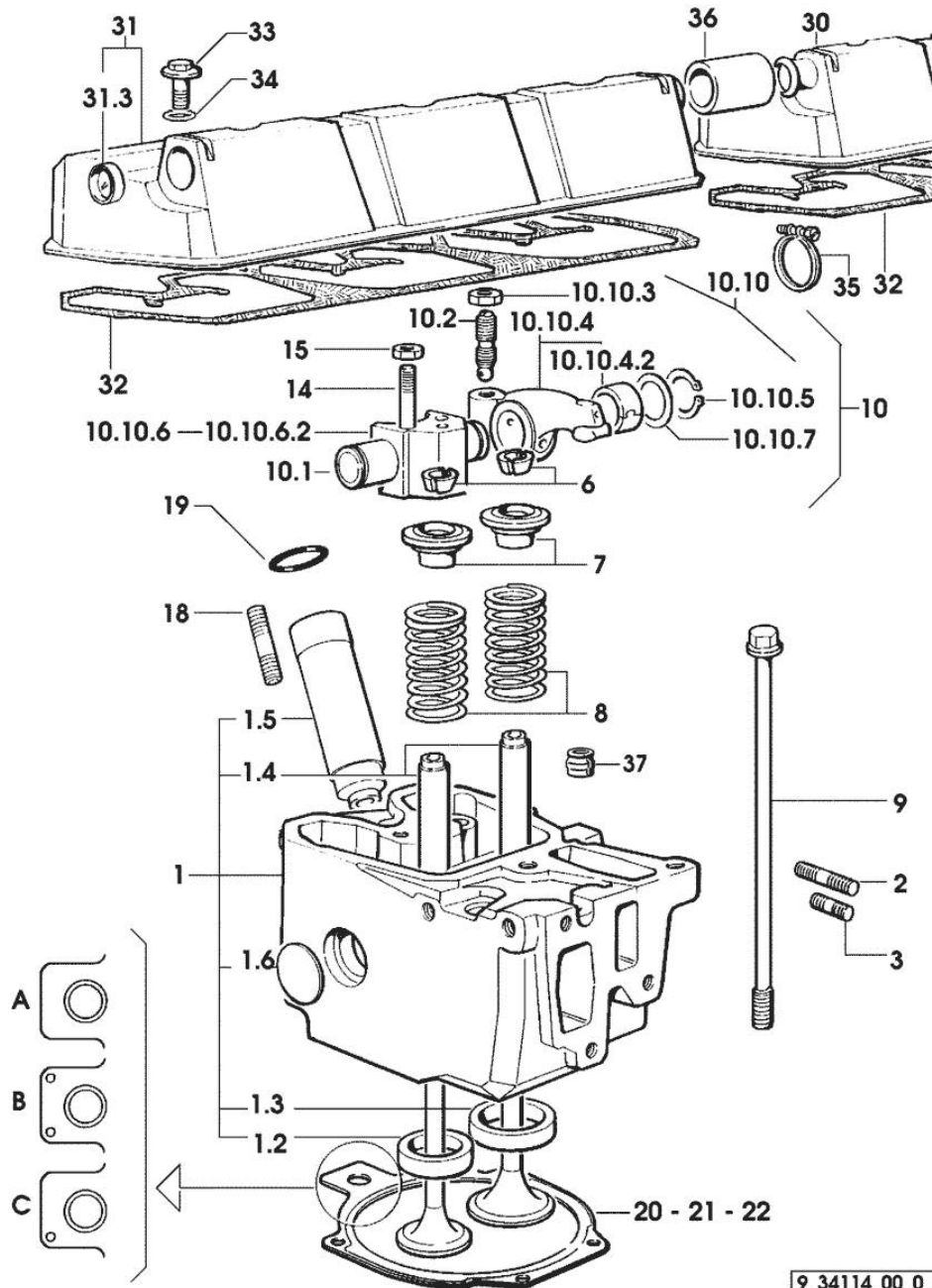


Fig.	P/n	QTY	Name
			-> 1546 X SILVER 180
31.3	2.3171.008.4	1	plug 20
32	0.009.3877.0/10	2	tappet gasket
33	2.0399.130.2/10	6	screw m 8x36x44
			3541 <- X SILVER 160
			1545 <- X SILVER 180
33	2.0399.288.2/10	6	screw m 8x36x46
			-> 3542 X SILVER 160
			-> 1546 X SILVER 180
34	2.1532.035.0	6	oil seal 14x1.78
			3541 <- X SILVER 160
			1545 <- X SILVER 180
34	2.1539.151.0	6	special oil seal 9.19 x 2.62
			-> 3542 X SILVER 160
			-> 1546 X SILVER 180
35	2.6859.091.0	2	clamp
36	0.075.1452.0/10	1	sleeve
37	2.1519.117.0	12	special oil seal

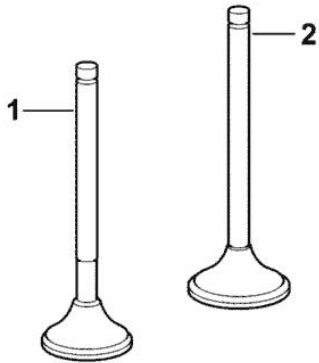
INLET AND EXHAUST VALVES

Fig.	P/n	QTY	Name
------	-----	-----	------

Notes:

[SILVER 160]

1	0.007.1147.0/10	6	exhaust valve mm 39.1 / Ø mm 9
2	0.007.1146.0/10	6	inlet valve mm 43.63 / Ø mm 9

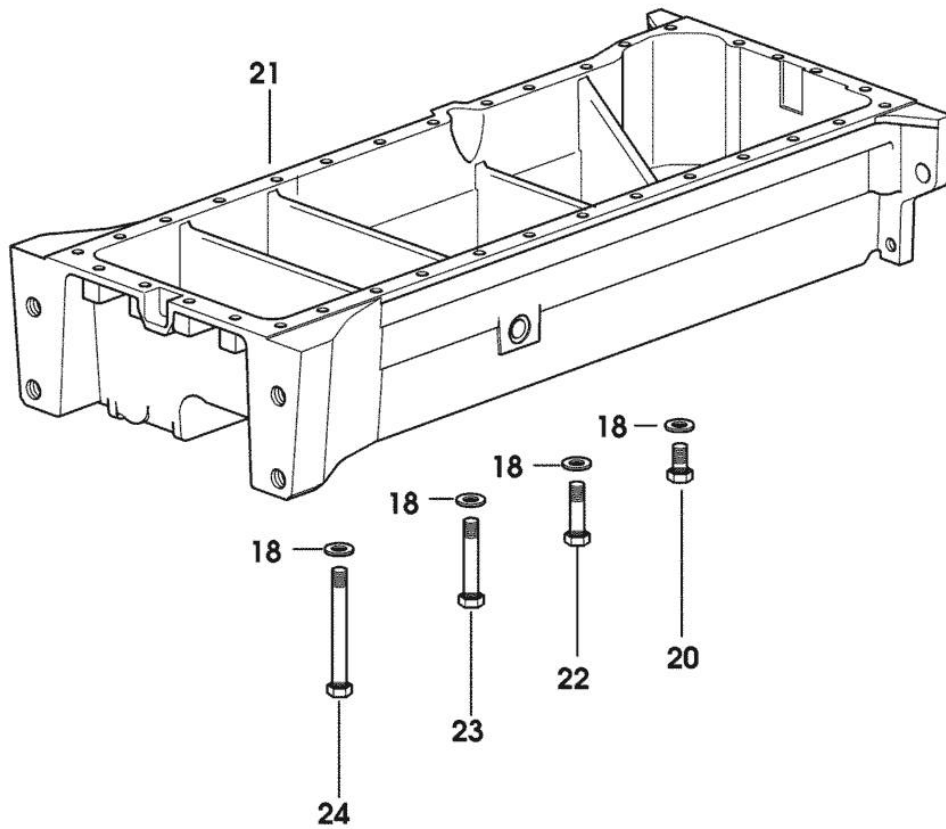
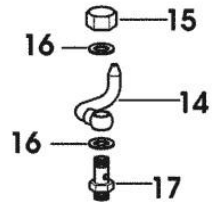


OIL PAN

Fig.	P/n	QTY	Name
------	-----	-----	------

Notes:
[SILVER 160]

14	0.007.0638.2	6	sprayers
15	2.1099.108.2	6	special nut m 10 p.1
16	2.1560.006.0	12	gasket 10.2 x 16
17	2.3249.022.2	6	pipe fitting m 10 p.1
18	2.1470.004.2	34	lock washer 8
20	2.0112.215.2	25	screw m 8 p.1.25 x 40
21	0.007.1311.0/10	1	oil sump
22	2.0112.229.2	3	screw m 8 p.1.25 x 100
23	2.0112.235.2	2	screw m 8 p.1.25 x 130
24	2.0112.241.2	4	screw m 8 p.1.25 x 160



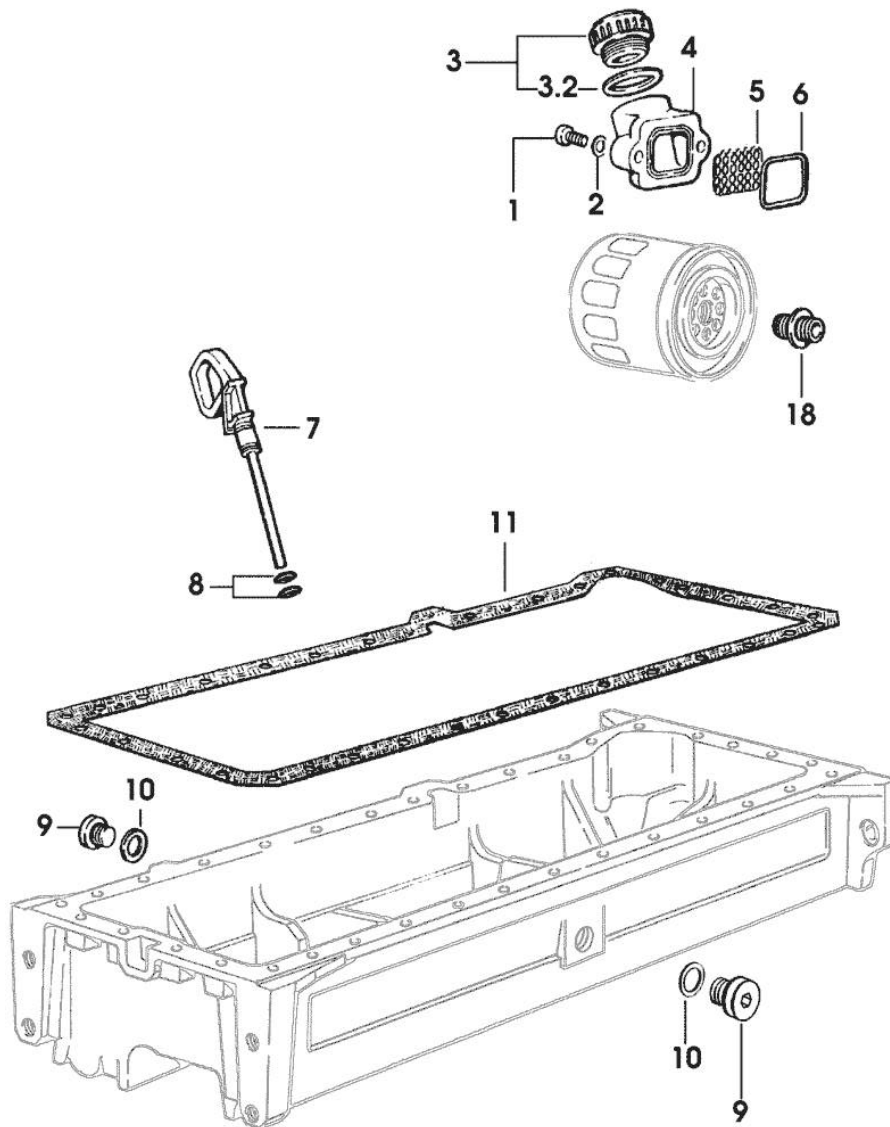
9_34015_01_0_0

Section: ENGINE
LUBRICATION

Fig.	P/n	QTY	Name
------	-----	-----	------

Notes:
[SILVER 160]

1	2.0312.205.2	2	screw
2	2.1480.014.1	2	washer 8
3	0.041.1135.4	1	plug 1" gas
3.2	2.1569.072.0	1	gasket 32 x 39.5 x 2
4	0.065.1565.0/10	1	pipe union
5	0.065.1567.0/10	1	filter
6	2.1539.042.0	1	special oil seal 47.35x1.78
7	0.080.1513.2/10	1	dipstick
8	2.1539.065.0	2	special oil seal 8.73 x 1.78
9	2.3199.001.2	2	plug 1/2" gas
10	2.1560.054.0	2	gasket 21 x 26
11	0.007.0849.0/10	1	gasket
18	2.3339.307.0	2	pipe fitting m 22 p.1.5-3/4"



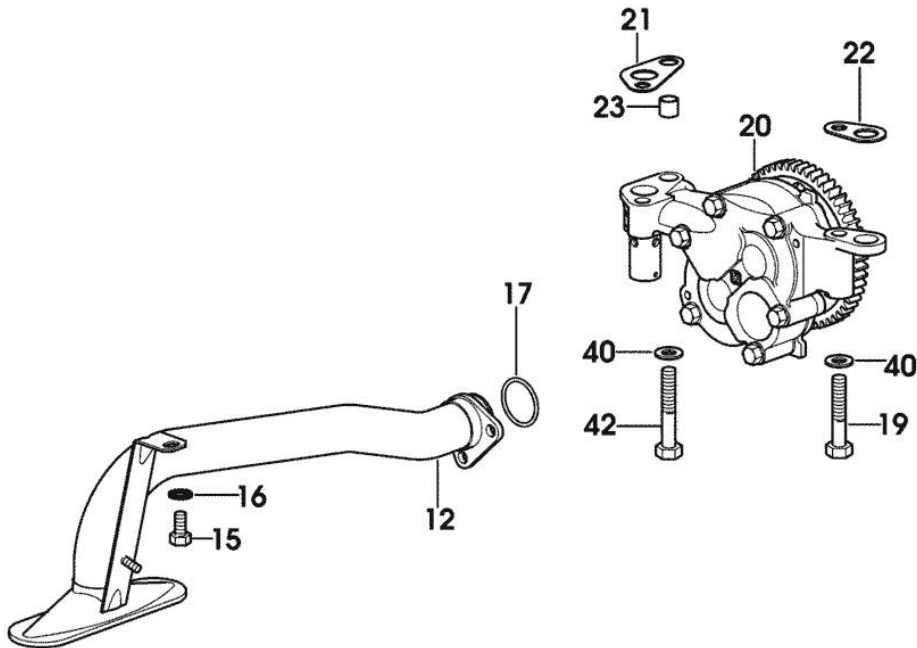
9_33615_10_0_A

OIL PUMP

Fig.	P/n	QTY	Name
------	-----	-----	------

Notes:
[SILVER 160]

12	0.011.0087.4	1	tube
15	2.0112.205.2	1	screw m 8 p.1.25 x 16
16	2.1470.004.2	1	lock washer 8
17	2.1539.153.0	1	oil seal 32.99x2.6
19	2.0112.320.2	2	screw m 10 p.1.5 x 55
20	0.010.0194.4/30	1	oil pump
COMPONENT PARTS SEE COMPONENTS LIST			
☞ 0.010.0194.4/30			
21	0.007.0972.0	5	shim
22	0.007.0973.0	5	shim
23	0.007.0867.0	1	bush
40	2.1310.006.2	3	flat washer 10.5x21
42	2.0112.322.2	1	screw m 10 p.1.5x65



9_33615_10_0_B

Section: ENGINE

RADIATOR

9_33715_01_0_0

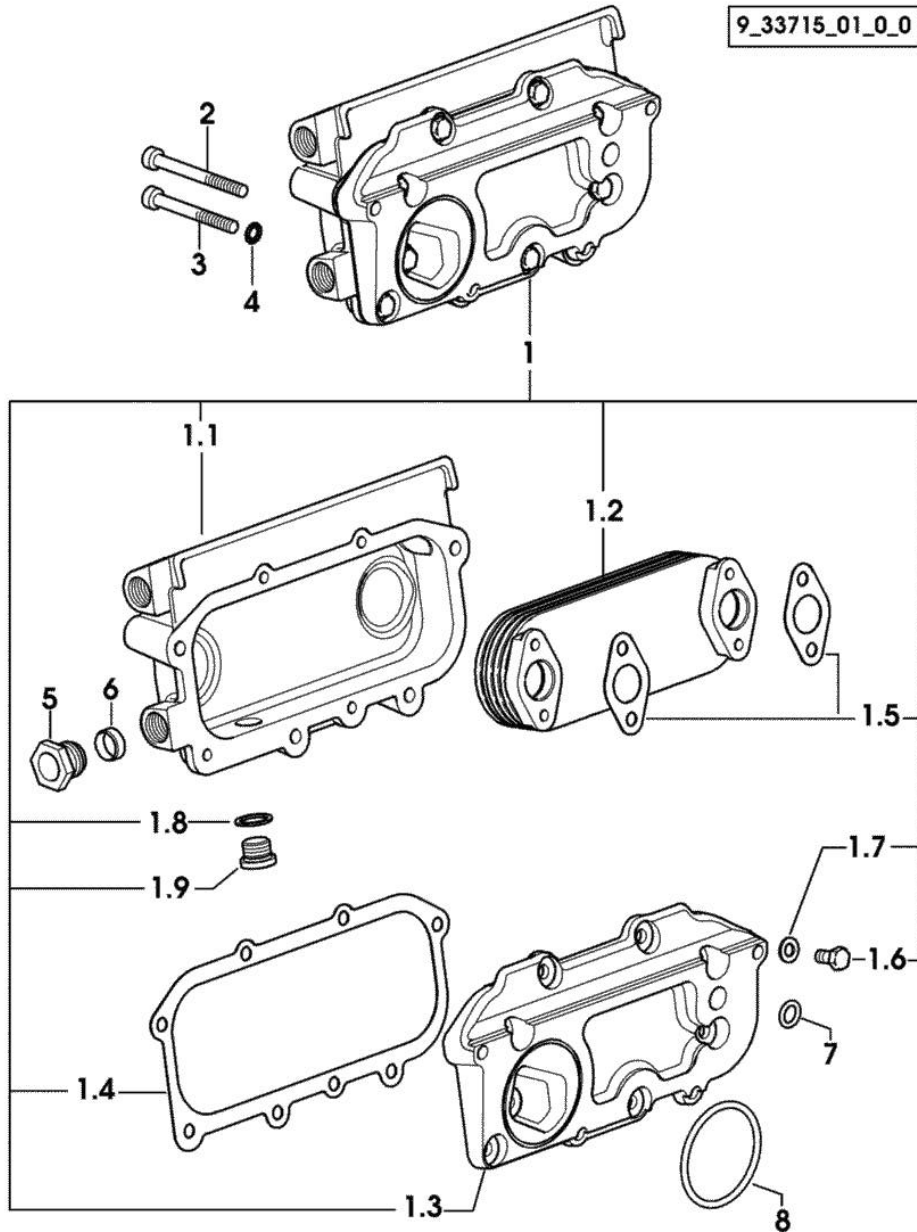


Fig.	P/n	QTY	Name
------	-----	-----	------

Notes:
[SILVER 160]

1	0.000.0000.1		cannot be supplied
1.1	0.007.0703.0/10	1	box 3534 <- X SILVER 160 1539 <- X SILVER 180
1.1	0.007.0703.0/20	1	box -> 3535 X SILVER 160 -> 1540 X SILVER 180
1.2	0.007.1239.3	1	radiator
1.3	0.078.1555.0/10	1	plate
1.4	0.078.1556.0/10	1	gasket
1.5	0.078.1557.0/10	2	gasket
1.6	2.0112.205.2	8	screw m 8 p.1.25 x 16
1.7	2.1310.004.2	8	flat washer 8.4x17
1.8	2.1560.014.0	1	washer 18.2 x 24
1.9	2.3120.101.0	1	plug m 18 p.1.5
2	2.0312.222.2	2	screw m 8 p.1.25 x 80
3	2.0312.220.2	2	screw m 8 p.1.25x70
4	2.1480.014.1	4	washer 8
5	2.3249.056.2	2	pipe fitting m 28 p.2
6	2.3350.008.1	2	nosepiece 18 3534 <- X SILVER 160 1539 <- X SILVER 180
6	2.3350.009.1	2	nosepiece 22 -> 3535 X SILVER 160 -> 1540 X SILVER 180
7	2.1539.048.0	1	special oil seal 20.35x1.78
8	2.1539.050.0	1	special oil seal 69.57x1.78

Section: ENGINE
LUBRICATION

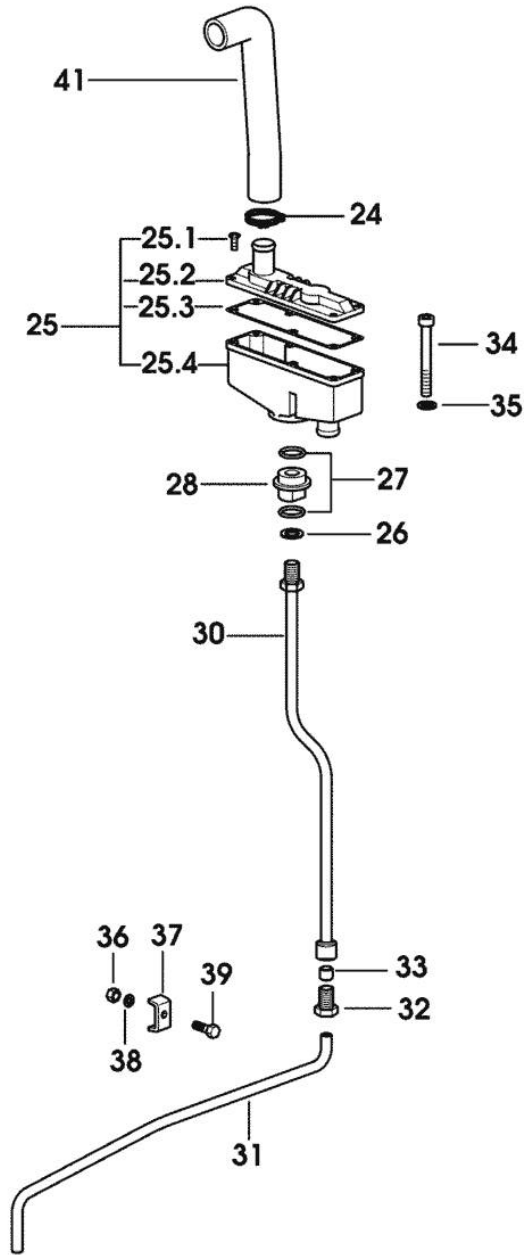


Fig.	P/n	QTY	Name
------	-----	-----	------

Notes:
[SILVER 160]

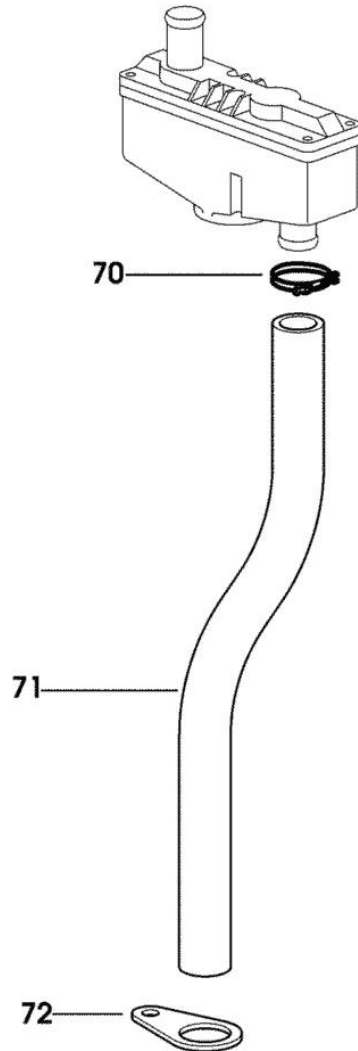
24	2.6859.086.0	2	clamp
25	0.075.1557.4	1	sediment bowl
25.1	2.0351.203.6	4	screw 3.5x9.5
25.2	0.000.0000.1		cannot be supplied
25.3	0.075.1559.0	1	gasket
25.4	0.000.0000.1		cannot be supplied
26	2.1560.008.0	1	gasket 12.2 x 18
27	2.1539.072.0	2	special oil seal 23.52 x 1.78
28	0.075.1553.0	1	bush
30	0.007.0861.0	1	tube
31	0.007.0970.0	1	tube
32	2.3339.418.1	1	pipe fitting m 12 p.1
33	2.3350.003.1	1	nosepiece 8
34	2.0312.221.2	2	screw m 8 p.1.25x75
35	2.1480.014.1	2	washer 8
36	2.1011.103.2	1	nut m 6 p.1
37	0.002.8816.0	1	small plate
38	2.1310.002.2	1	flat washer 6.4x12.5
39	2.0112.007.2	1	screw m 6 p.1 x 20
41	0.075.1453.0/10	1	tube

Section: ENGINE
LUBRICATION

Fig.	P/n	QTY	Name
------	-----	-----	------

Notes:
[SILVER 160]

70	2.6859.086.0	1	clamp
71	0.075.1554.0	1	tube
72	0.075.1151.0	1	bracket



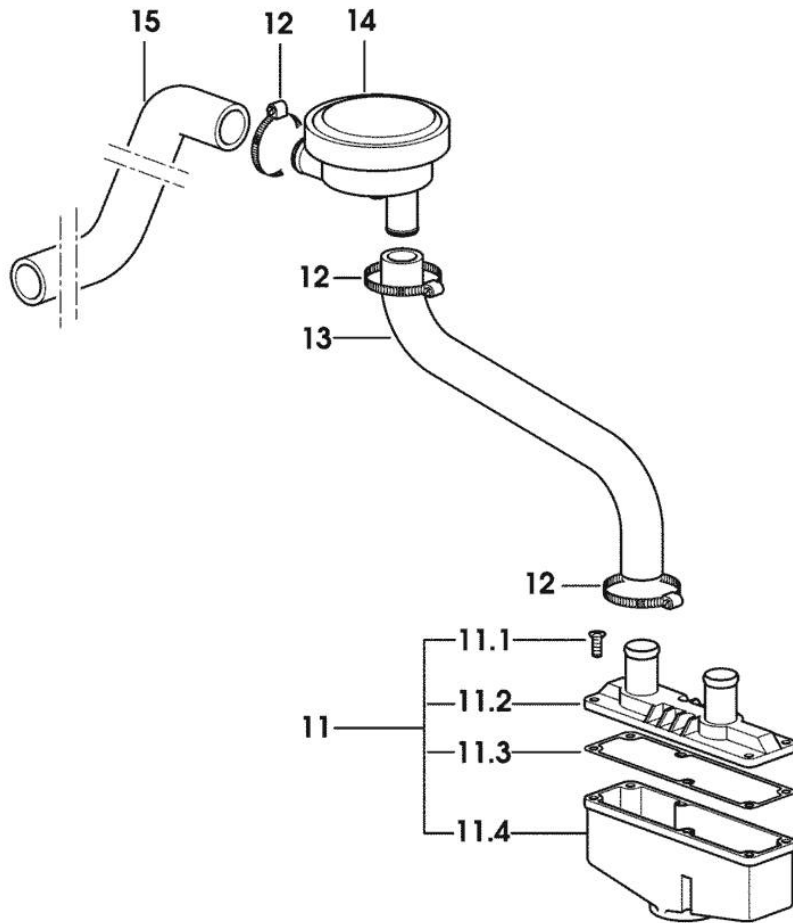
9_34619_00_0_A

LUBRICATION EXPORT U.S.A.

Fig.	P/n	QTY	Name
------	-----	-----	------

Notes:
[SILVER 160]

11	0.010.6512.4	1	sediment bowl
11.1	2.0351.203.6	4	screw 3.5x9.5
11.2	0.010.6513.3	1	cover
11.3	0.075.1559.0	1	gasket
11.4	0.010.6512.0	1	sediment bowl
12	2.6850.004.0	4	clamp
13	0.011.1209.0	1	tube
14	0.010.6507.0	1	valve
15	0.011.1208.0	1	tube



9_34115_20_0_0

Thank you so much for reading.
Please click the “Buy Now!”
button below to download the
complete manual.



After you pay.

You can download the most
perfect and complete manual in
the world immediately.

Our support email:

ebooklibonline@outlook.com