

Section: ENGINE
CRANKCASE

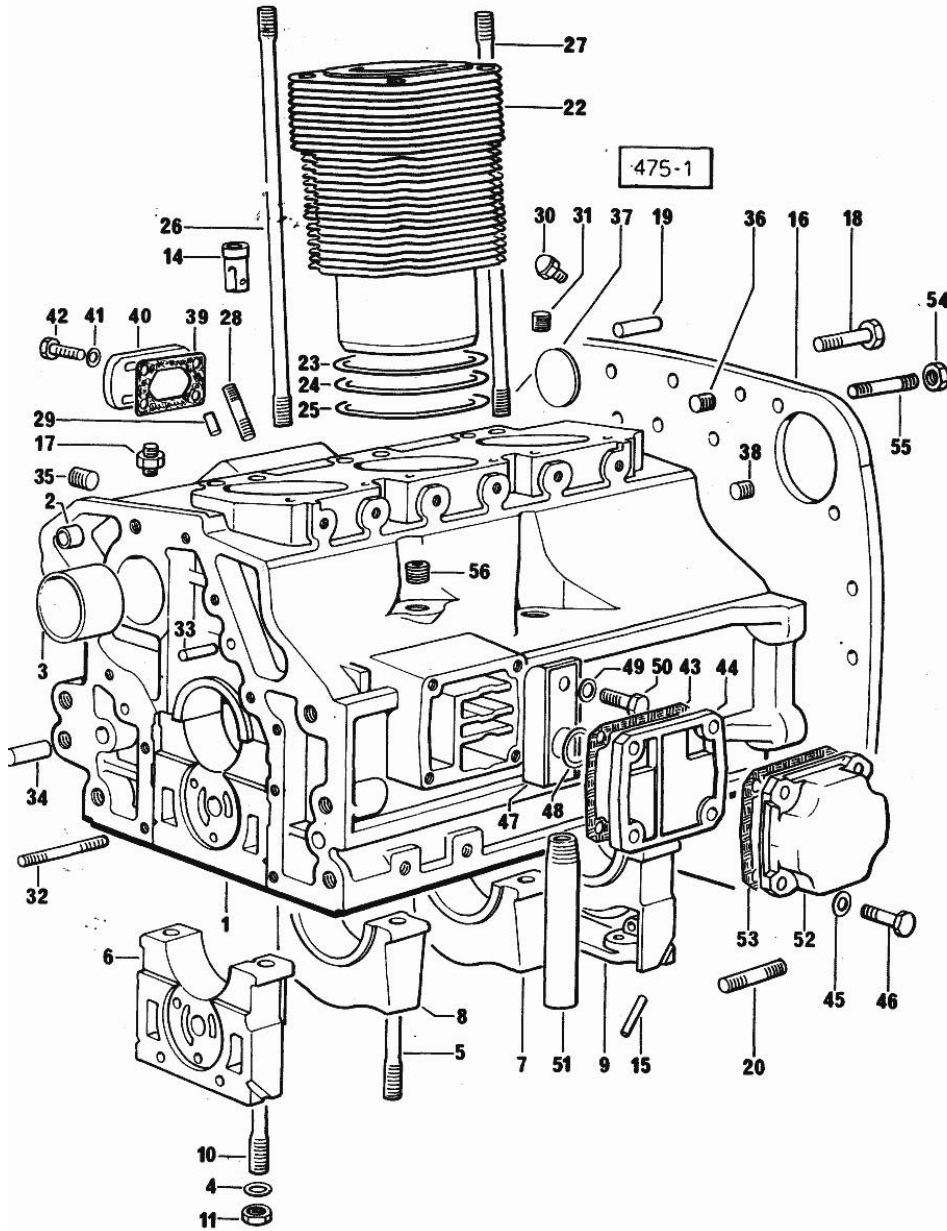


Fig.	P/n	QTY	Name
------	-----	-----	------

Notes:
 [SOLAR 55 C]

0	0.068.0050.6	1	gasket set FOR ENGINE ASSEMBLY
1	0.054.1110.4/40	1	crankcase
2	2.1559.111.0/10	2	special bushing 11.5x14.1x10
3	0.037.1155.0	1	bushing
4	2.1599.144.7	8	shoulder ring 12.5x23x4
5	0.029.1117.0	4	stud bolt
6	0.054.1112.0	1	support
7	0.037.1114.0	1	support
8	0.029.1113.0	1	support
9	0.029.1116.0	1	support
10	0.021.1157.0	4	stud bolt
11	2.1019.026.7	8	special nut m 12 p.1.5
14	0.044.1156.0	8	special bushing
15	0.029.1154.0	4	gasket
16	0.054.1130.0/10	1	flange
17	0.054.1152.0	1	pipe fitting
18	2.0112.511.1	11	screw m 14 p.2 x 30
19	2.1652.911.0	2	cylindrical plug 12x25
20	2.0432.155.7	2	stud bolt m 10 p.1.5 / p. 1.25 x 25
22	0.063.1120.0	3	engine cylinder
23	2.1589.052.0	7	shoulder ring 115x123x0.2
24	2.1589.051.0	3	shoulder ring 116x123x0.1
25	2.1569.076.0	3	gasket 116x123x0.5
26	0.041.1123.0/10	3	stud bolt
27	0.039.1122.0	12	stud bolt m 12 p.1.5x310
28	2.0432.003.7	4	stud bolt m 8 p.1.25 / p.1 x 20
29	2.1652.306.0	1	cylindrical plug 4x14
30	0.071.1151.3	3	valve
31	2.3130.001.1	2	plug 1/8" gas
32	2.0432.025.7	2	stud bolt m 8 p.1.25 - 1.00 x 100
33	2.1653.711.0	1	pin
34	2.1699.114.0	1	pin 8x55
35	2.3139.001.1	3	plug
36	2.3130.002.1	1	plug 1/4" gas
37	2.3170.022.1	1	expansion plug 60
38	2.3130.003.1	2	plug 3/8" gas
39	0.044.1151.0	1	gasket
40	0.044.1164.2/10	1	small cover
41	2.1310.004.2	4	flat washer 8.4x17
42	2.0112.204.2	4	screw m 8 p.1.25x14

Section: ENGINE
CRANKCASE

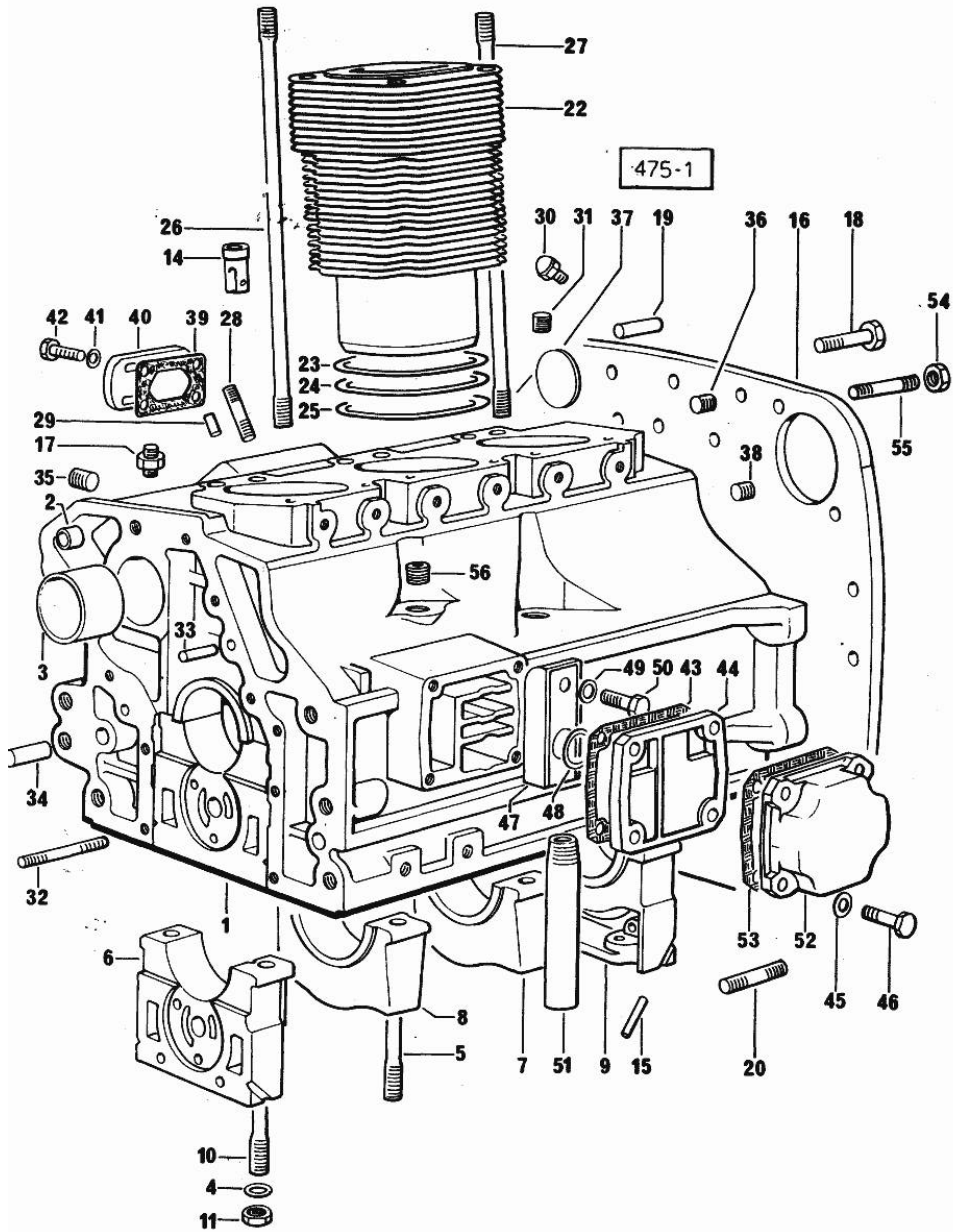


Fig.	P/n	QTY	Name
43	0.044.1153.0/10	1	gasket
44	0.071.1153.0	1	small cover
45	2.1474.009.1	4	spring washer 8
46	2.0112.211.2	4	screw m 8 p.1.25 x 30
47	0.071.1155.2	1	small guard
48	0.076.1156.0	1	-
49	2.1474.009.1	1	spring washer 8
50	2.0312.206.2	1	screw m 8 p 1.25 x 20
51	0.044.1152.0/10	1	tube
52	0.071.1154.0	1	small cover
53	0.044.1153.0	1	gasket
54	2.1011.207.1	2	nut m 12 p.1.5
55	2.0432.257.7	2	stud bolt m 12 p.1.75 - 1.25 x 30
56	2.3139.006.1	2	plug

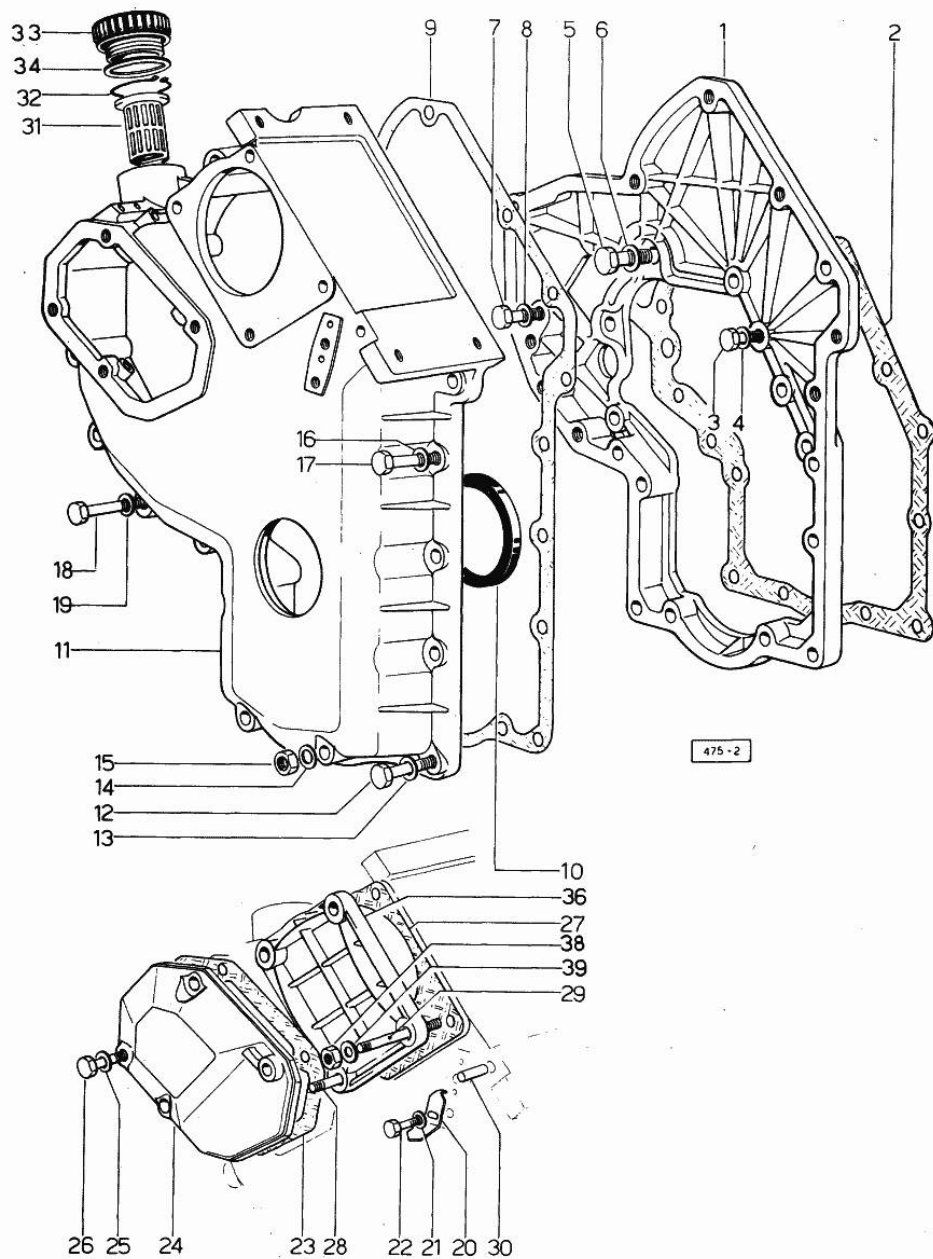
Section: ENGINE

TIMING CASE

Fig.	P/n	QTY	Name
------	-----	-----	------

Notes:
[SOLAR 55 C]

1	0.048.1131.0	1	flange
2	0.041.1153.0	1	gasket
3	2.0112.209.2	2	screw m 8 p 1.25 x 25
4	2.1474.009.1	5	spring washer 8
5	2.0119.034.1	1	screw m 14 p.2x20
6	2.1560.010.0	1	gasket 14.2 x 20
7	2.0112.207.2	1	screw m 8 p 1.25 x 20
8	2.1474.009.1	1	spring washer 8
9	0.041.1152.0	1	gasket
10	2.1519.010.0	1	special oil seal 58x80x10
11	0.048.1132.0/40	1	guard
12	2.0112.217.2	5	screw m 8 p.1.25 x 45
13	2.1474.009.1	5	spring washer 8
14	2.1560.003.0	2	copper gasket 8.2 x 12
15	2.1011.405.2	2	nut m 8 p.1
16	2.1474.009.1	2	spring washer 8
17	2.0112.211.2	5	screw m 8 p.1.25 x 30
18	2.0112.222.2	4	screw m 8 p.1.25x65
19	2.1474.009.1	4	spring washer 8
20	0.041.1158.0	1	index
21	2.1310.004.2	1	flat washer 8.4x17
22	2.0112.204.2	1	screw m 8 p.1.25x14
23	0.048.1151.0/10	1	gasket
24	0.048.1150.0/20	1	cover
25	2.1560.006.0	4	gasket 10.2 x 16
26	2.0112.315.2	4	screw m 10 p.1.5 x 40
27	0.041.1154.0	1	gasket
28	2.0432.015.7	1	stud bolt m 8 p.1.25-1x50
29	2.0432.028.7	3	stud bolt m 8 p.1.25-1x130
30	2.1653.717.0	1	pin 8 x 40
31	0.041.1159.0/10	1	filter
32	2.1411.012.1	1	circlip 30
33	0.041.1135.4	1	plug 1" gas
34	2.1569.072.0	1	gasket 32 x 39.5 x 2
36	0.037.1151.0/10	1	cover
38	2.1011.505.2	4	nut m 8 p.1
39	2.1310.004.2	4	flat washer 8.4x17



Section: ENGINE
CRANKSHAFT

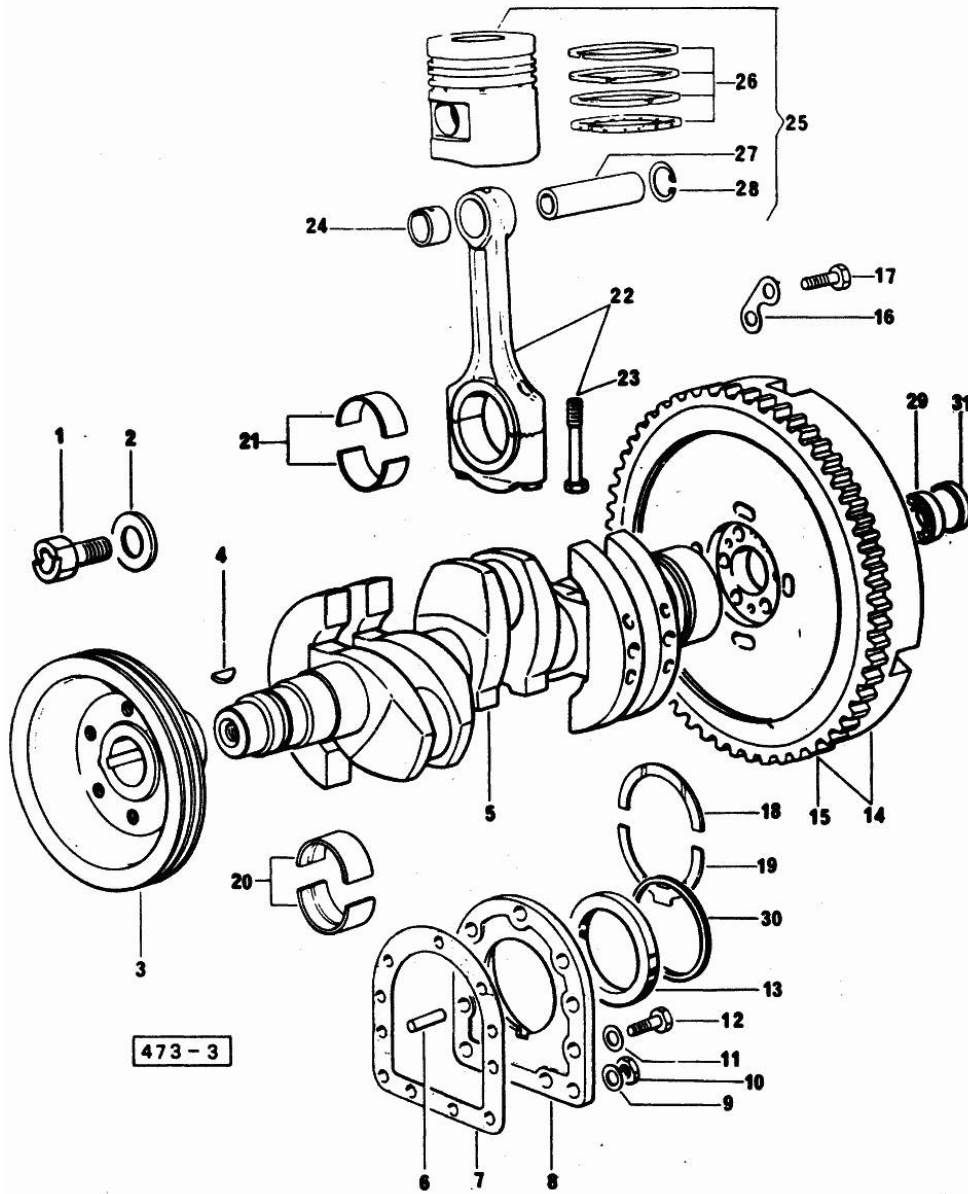


Fig.	P/n	QTY	Name
------	-----	-----	------

Notes:
 [SOLAR 55 C]

1	2.0129.032.2	1	screw m 24 p.2x45
2	0.001.6020.0	1	shoulder
3	0.062.1250.0	1	pulley
4	2.1799.026.0	1	key 10x10
5	0.053.1210.4/10	1	crankshaft
6	2.1652.915.0	2	cylindrical plug 12x35
7	0.029.1250.0/10	1	gasket
8	0.045.1240.0	1	flange
9	2.1560.006.0	2	gasket 10.2 x 16
10	2.1011.421.2	2	nut m 10 p.1.25
11	2.1474.010.1	9	spring washer 10
12	2.0112.309.2	9	screw m 10 p.1.5 x 25
13	2.1529.045.0	1	oil seal
14	0.035.1264.3/10	1	flywheel
14	0.316.1241.3/20	1	flywheel FOR SIMPLE CLUTCH
14	0.316.1250.3/10	1	flywheel FOR DUAL CLUTCH
14	0.316.1250.3/10	1	flywheel FOR OVER CENTRE CLUTCH
15	0.038.1242.0	1	crown wheel Z = 120, mm 15
16	2.1379.006.0	3	lock-tab 15x15x36,5
17	2.0122.517.7	6	screw m 14 p.1.5x45
17	2.0122.525.7	1	none
18	0.001.4544.0		shoulder ring + mm 0.05
18	0.001.4545.0		shoulder ring + mm 0.10
18	0.001.4546.0		shoulder ring + mm 0.15
18	0.042.1218.0	2	shoulder ring STANDARD
19	0.001.4547.0		shoulder ring + mm 0.05
19	0.001.4548.0		shoulder ring + mm 0.10
19	0.001.4549.0		shoulder ring + mm 0.15
19	0.042.1219.0	2	shoulder ring STANDARD
20	0.073.1215.0	8	main half bushing STANDARD
20	0.073.1215.7		main half bushing - mm 0.25
20	0.073.1215.8		main half bushing - mm 0.50
20	0.073.1215.9		main half bushing - mm 0.75
21	0.062.1225.0	6	con.rod half bushing STANDARD
21	0.062.1225.7		con.rod half bushing - mm 0.25
21	0.062.1225.8		con.rod half bushing - mm 0.50
21	0.062.1225.9		con.rod half bushing - mm 0.75
22	0.052.1220.3/10	3	engine connecting rod
23	0.039.1250.0	6	screw m 14 p.1.5x63

Section: ENGINE
CRANKSHAFT

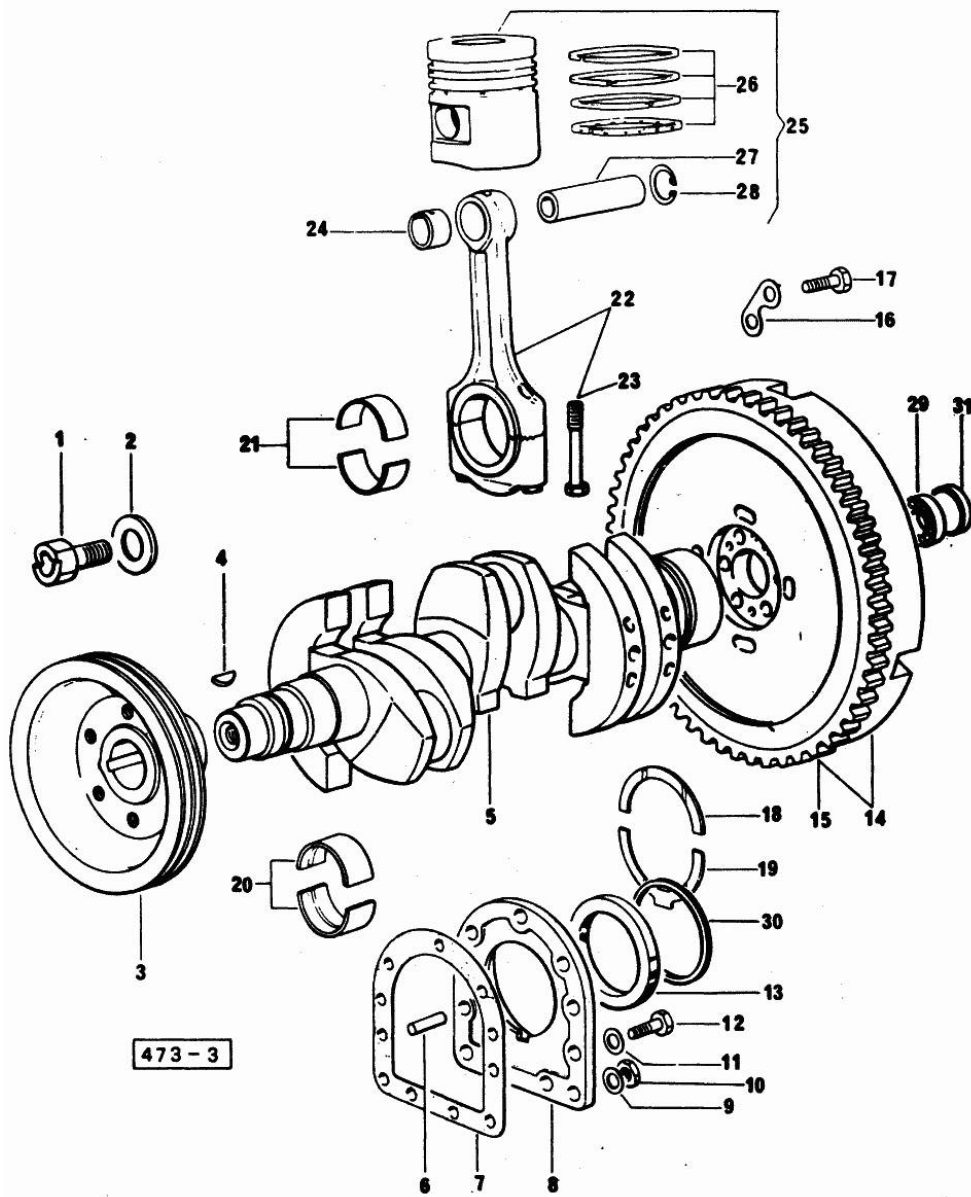


Fig.	P/n	QTY	Name
24	0.002.4168.0	3	bearing
25	0.072.0060.6/10	3	-
25	0.072.0061.6		complete piston + mm 0.50
25	0.072.0062.6		complete piston + mm 1.0
26	0.072.0052.6	3	piston ring set STANDARD
26	0.072.0053.6		piston ring set + mm 0.50
26	0.072.0054.6		piston ring set + mm 1.0
27	0.002.4167.0	3	piston pin
28	2.1411.014.1	6	circlip 35
29	2.2061.005.0	1	ball bearing iso 17 bc 03
30	2.1599.404.0	1	shoulder ring
31	2.1579.616.0	1	spacer

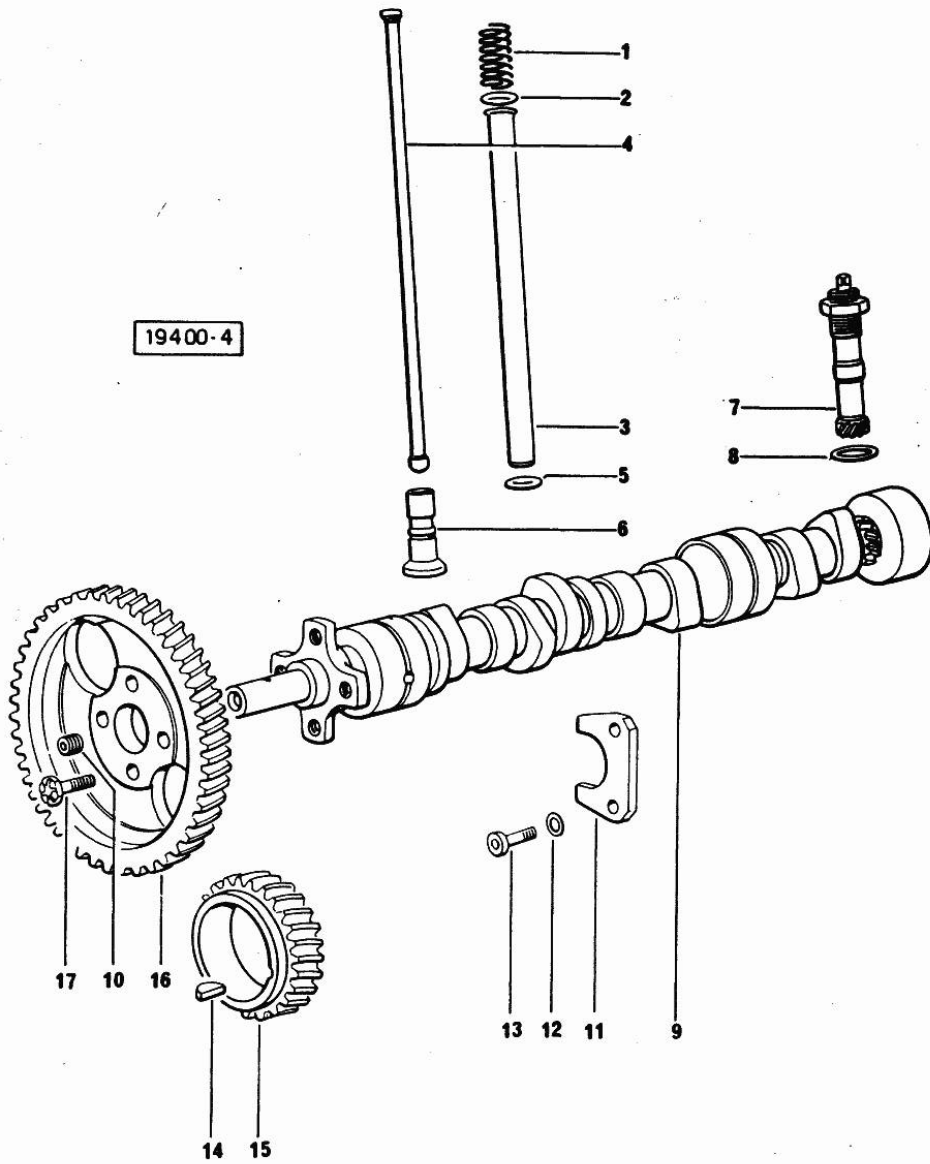
Section: ENGINE

CAMSHAFT

Fig.	P/n	QTY	Name
------	-----	-----	------

Notes:
[SOLAR 55 C]

1	2.4019.162.1/20	6	spring 17.2x46x1.8
2	2.1539.022.0	6	special oil seal 12.37x2.62
3	0.041.1332.0	6	sleeve
4	0.041.1331.3	6	rod
5	2.1539.020.0	6	special oil seal 13.95x2.62
6	0.052.1330.0/20	6	tappets
7	0.041.1355.3	1	transmission
8	2.1560.013.0	1	gasket 18.2x22
9	0.054.1310.0/20	1	camshaft
10	2.3130.001.1	1	plug 1/8" gas
11	0.027.1314.0	1	flange
12	2.1470.004.2	2	lock washer 8
13	2.0112.207.2	2	screw m 8 p 1.25 x 20
14	2.1720.010.0	1	key 5x9
15	0.040.1320.0	1	gear z = 33
16	0.062.1321.0	1	gear z=66
17	2.0139.005.1	4	screw m 10 p.1 x 25



Section: ENGINE
CYLINDER HEAD

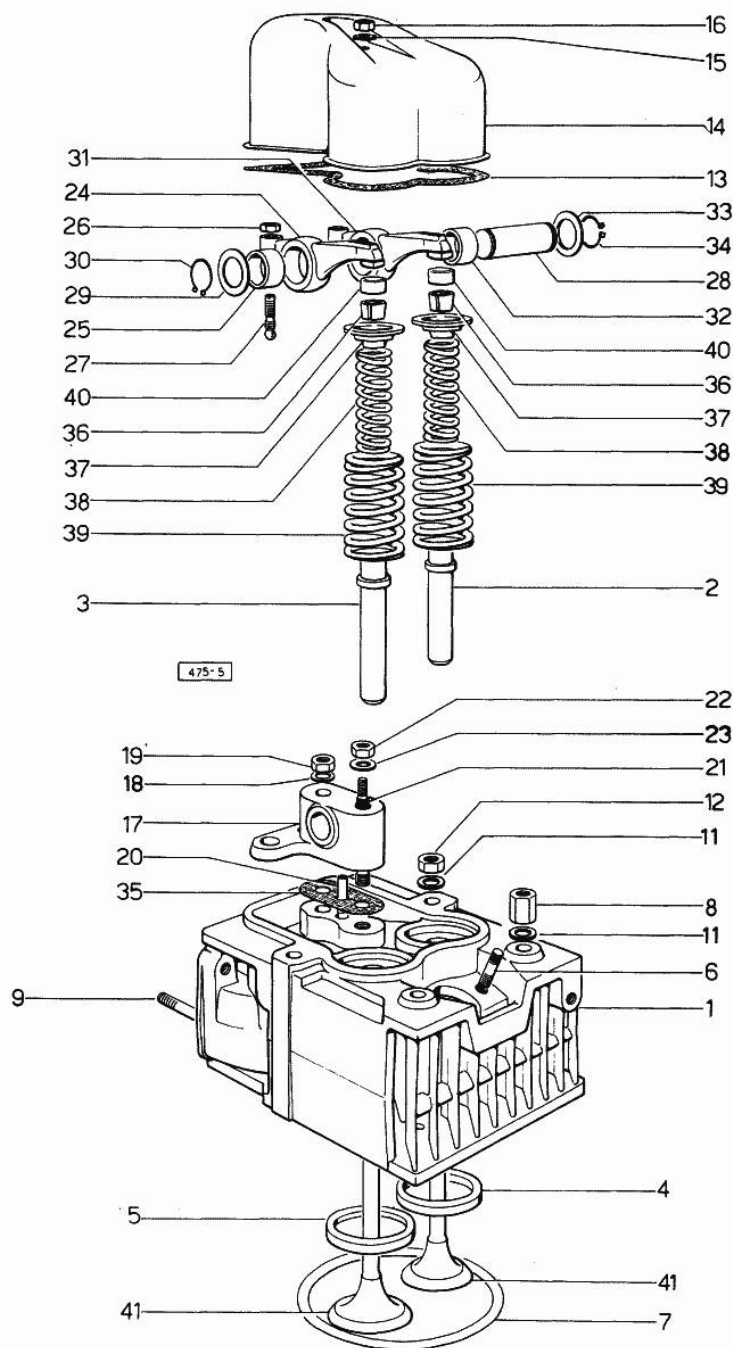


Fig.	P/n	QTY	Name
Notes: [SOLAR 55 C]			
0	0.073.0057.6	1	gasket set FOR GRINDING VALVES OF ONE CYLINDER AND PISTON RING RENEWAL
1	0.063.1410.3	3	engine head
2	0.062.1417.0/10	3	valve guide
3	0.062.1416.0/10	3	valve guide
4	0.062.1450.0/10	3	valve seat
5	0.063.1426.0	3	valve seat
6	2.0439.087.1/20	6	stud bolt m 8 p.1.25 / p.1 x 40
7	2.1569.077.0/10	3	gasket
8	2.1019.037.0	3	special nut m 12 p.1.5
9	2.0432.007.7	3	stud bolt m 8 p.1.25 / p.1 x 30
11	2.1599.406.0	12	shoulder ring
12	2.1019.025.0	9	special nut m 12 p.1.5
13	0.029.1450.0	3	gasket
14	0.039.1440.0	3	cap
15	2.1560.004.0	3	copper gasket 8.2 x 14
16	2.1099.056.2	3	special nut m 8 p.1 x 8
17	0.041.1430.0	3	support
18	2.1599.160.0	3	washer 10.5x19x4
19	2.1099.035.0	3	special nut m 10 p.1.25
20	0.029.1452.0	3	tube
21	0.039.1451.0	3	stud bolt
22	2.1011.421.2	3	nut m 10 p.1.25
23	2.1310.006.2	3	flat washer 10.5x21
24	002.5937.3/30	3	rocker arm
25	2.1559.021.0/40	3	bushing 15x19x22
26	2.1011.405.2	6	nut m 8 p.1
27	0.021.1434.0	6	screw
28	0.041.1431.0	3	pin
29	2.1599.019.0	3	shoulder ring 19.5x31x2
30	2.1410.055.1	3	circlip 19
31	0.002.5936.3/40	3	rocker arm
32	2.1559.021.0/40	3	bushing 15x19x22
33	2.1599.019.0	3	shoulder ring 19.5x31x2
34	2.1410.055.1	3	circlip 19
35	0.034.1450.0	3	tappet gasket
36	0.062.1423.0/10	6	conical valve cotter
37	0.062.1425.0	6	cup
38	2.4019.194.0	6	spring 22.70x50.7x2.1
39	2.4019.193.0	6	spring 36.15x55.2x3.2

Section: ENGINE
CYLINDER HEAD

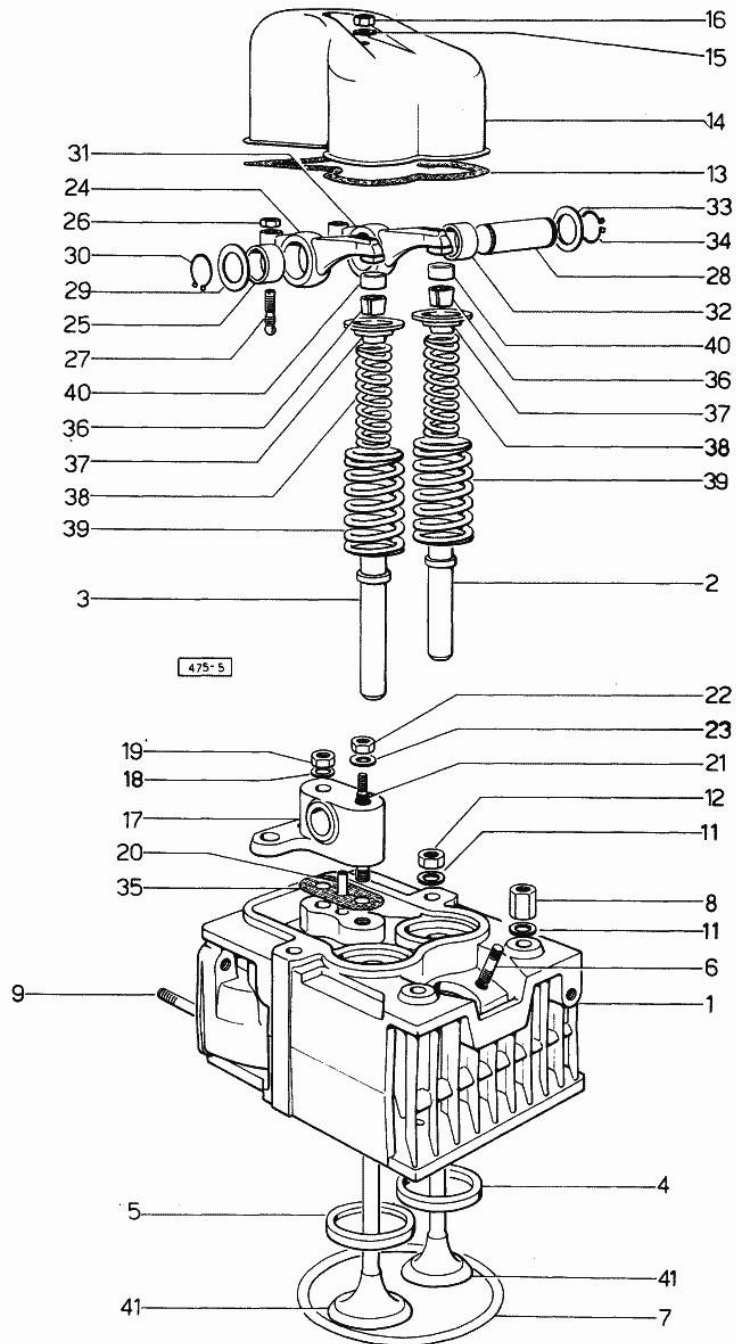


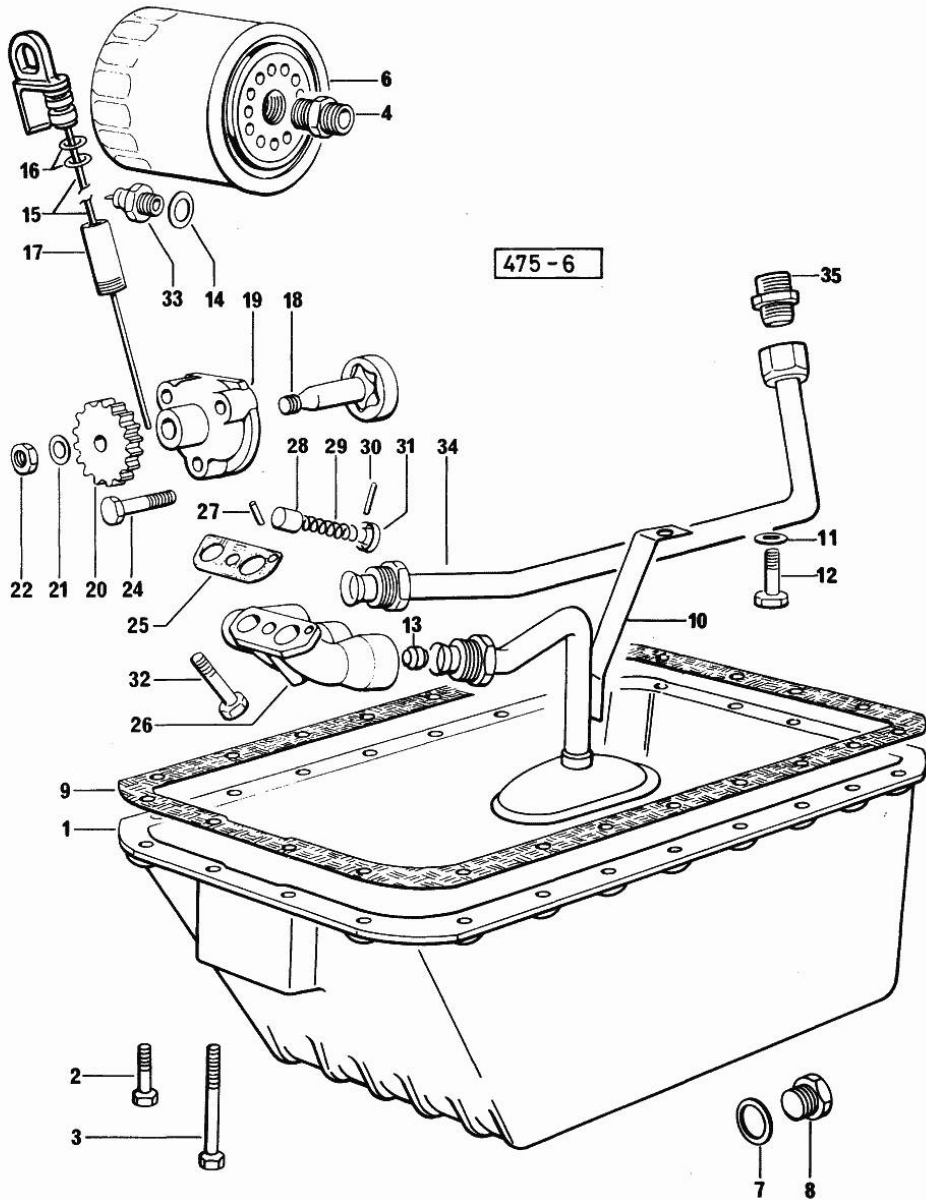
Fig.	P/n	QTY	Name
40	0.062.1452.0	6	small cover
41	0.071.1420.2	6	exhaust valve Ø mm 8

Section: ENGINE
LUBRICATION

Fig.	P/n	QTY	Name
------	-----	-----	------

Notes:
[SOLAR 55 C]

1	0.038.1556.0	1	oil sump
2	2.0112.209.2	22	screw m 8 p 1.25 x 25
3	2.0112.222.2	2	screw m 8 p.1.25x65
4	2.3339.094.1/10	1	pipe fitting m 20 p.1.5-3/4 gas
6	0.053.1552.0	1	oil filter element
7	2.1560.054.0	1	gasket 21 x 26
8	2.3199.001.2	1	plug 1/2" gas
9	0.038.1555.0	1	gasket
10	0.054.1563.3	1	tube
11	2.1310.004.2	1	flat washer 8.4x17
12	2.0112.204.2	1	screw m 8 p.1.25x14
13	2.3359.016.1	2	nosepiece
14	2.1560.008.0	1	gasket 12.2 x 18
15	0.068.1513.2	1	dipstick
16	2.1539.065.0	2	special oil seal 8.73 x 1.78
17	0.044.1555.0	1	spacer
18	0.054.1524.3/10	1	rotor
19	0.054.1520.0	1	pump casing
20	0.054.1521.0	1	gear
21	2.1310.006.2	1	flat washer 10.5x21
22	2.1121.107.2	1	self-locking nut m 10 p 1.25
24	2.0112.215.2	3	screw m 8 p.1.25 x 40
25	0.054.1550.0	1	gasket
26	0.054.1530.0/20	1	tip
27	2.1651.305.2	1	cylindrical plug 4 x 12
28	0.052.1571.0	1	small piston
29	2.4019.270.1	1	spring 9.7x54x2
30	2.1630.213.0	1	roll pin 3x32
31	0.054.1558.0/10	1	stop
32	2.0132.213.2	1	screw
33	2.7099.040.0/10	1	pressure switch
34	0.053.1543.2	1	tube
35	2.3339.159.1/10	1	pipe fitting



Section: ENGINE

FUEL SUPPLY SYSTEM

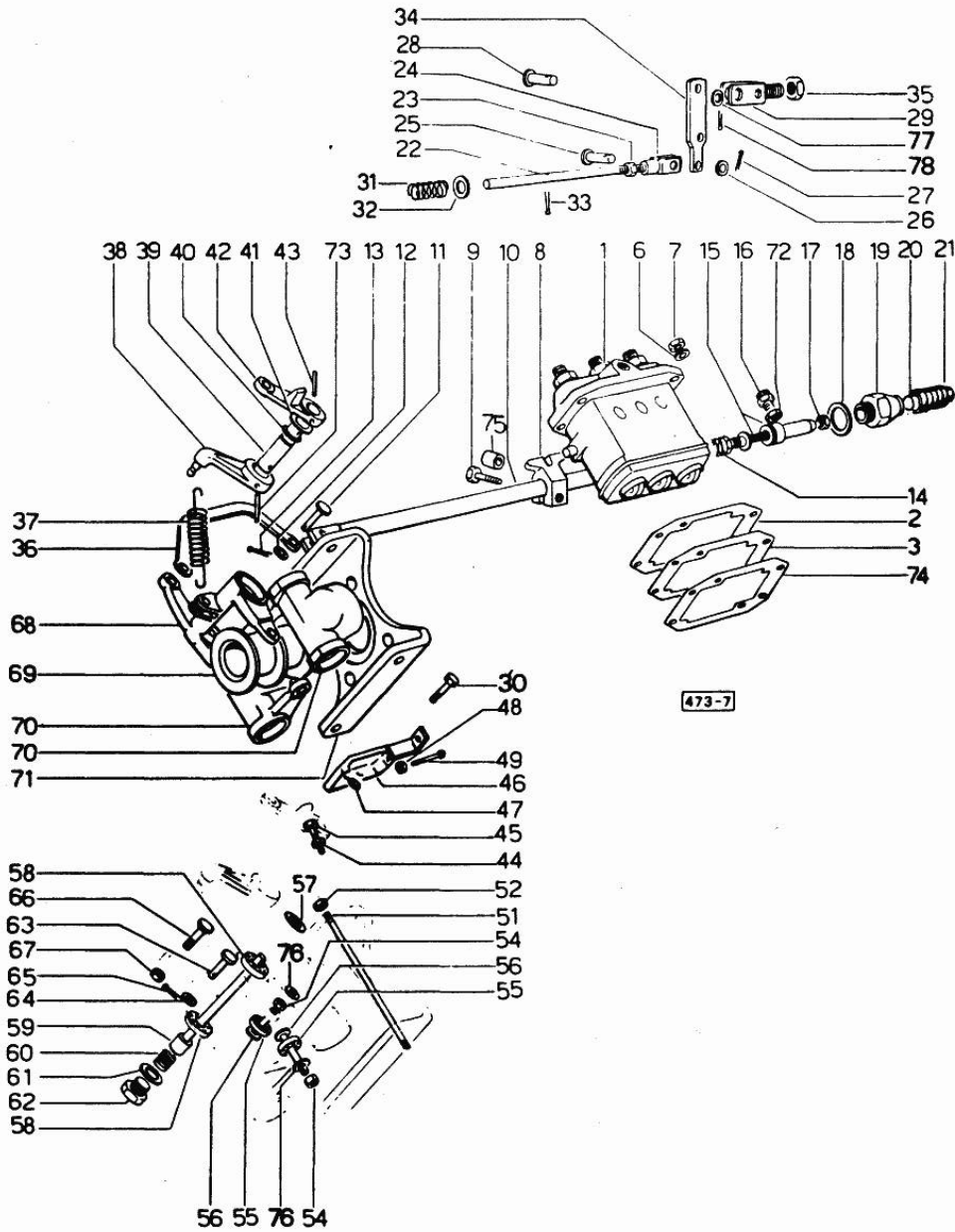


Fig.	P/n	QTY	Name
------	-----	-----	------

Notes:
[SOLAR 55 C]

1	2.4639.140.0	1	injector pump
2	0.041.1658.0	1	shim mm 0.20
2	0.041.1659.0	1	shim mm 0.1
3	0.041.1694.0	1	gasket mm 0.1
3	0.041.1695.0	1	gasket mm 0.20
6	2.1311.006.2	4	flat washer 8
7	2.1099.056.2	4	special nut m 8 p.1 x 8
8	0.046.1652.0	1	bracket
9	2.0112.013.2	1	screw m 6 p.1 x 35
10	0.044.1613.2	1	rod
11	2.1679.065.2	1	pin 6x18x15
12	2.1311.004.1	1	flat washer 6
13	2.1690.206.0	1	split pin
14	2.4019.178.1/10	1	spring 14.6x34x0.8
15	0.062.1652.6	1	adapter
16	0.044.1669.3/20	1	adapter
17	2.1011.505.2	1	nut m 8 p.1
18	2.1560.019.0	1	copper gasket 24.3x30
19	0.041.1666.0/40	1	plug
20	2.1530.015.0	1	oil seal 8.30x2.40
21	0.000.5617.0	1	guard
22	0.054.1675.0/10	1	ferrule
23	2.1011.103.2	1	nut m 6 p.1
24	0.054.1653.0/10	1	fork
25	2.1670.002.2	1	pin 5x14x12
26	2.1310.001.2	1	flat washer 5.3 x 10
27	2.1690.104.2	1	split pin 1.6x10
28	2.1670.303.2	1	pin 8x18x15
29	0.054.1676.0	1	support
30	2.0112.004.2	2	screw m 6 p.1 x 14
31	2.4019.232.1	1	spring
32	2.1310.004.2	1	flat washer 8.4x17
33	2.1690.206.2	1	split pin A2x15
34	0.054.1681.0/20	1	lever
35	2.1011.505.2	1	nut m 8 p.1
36	0.074.1622.0	1	rod
37	2.4049.095.1/10	1	spring
38	0.042.1621.0	1	lever
39	0.041.1655.0/10	1	pin
40	2.1530.016.0	1	oil seal 8.73 x 1.78
41	2.1599.141.0	1	shoulder ring 12.5x19x1.5

FUEL SUPPLY SYSTEM

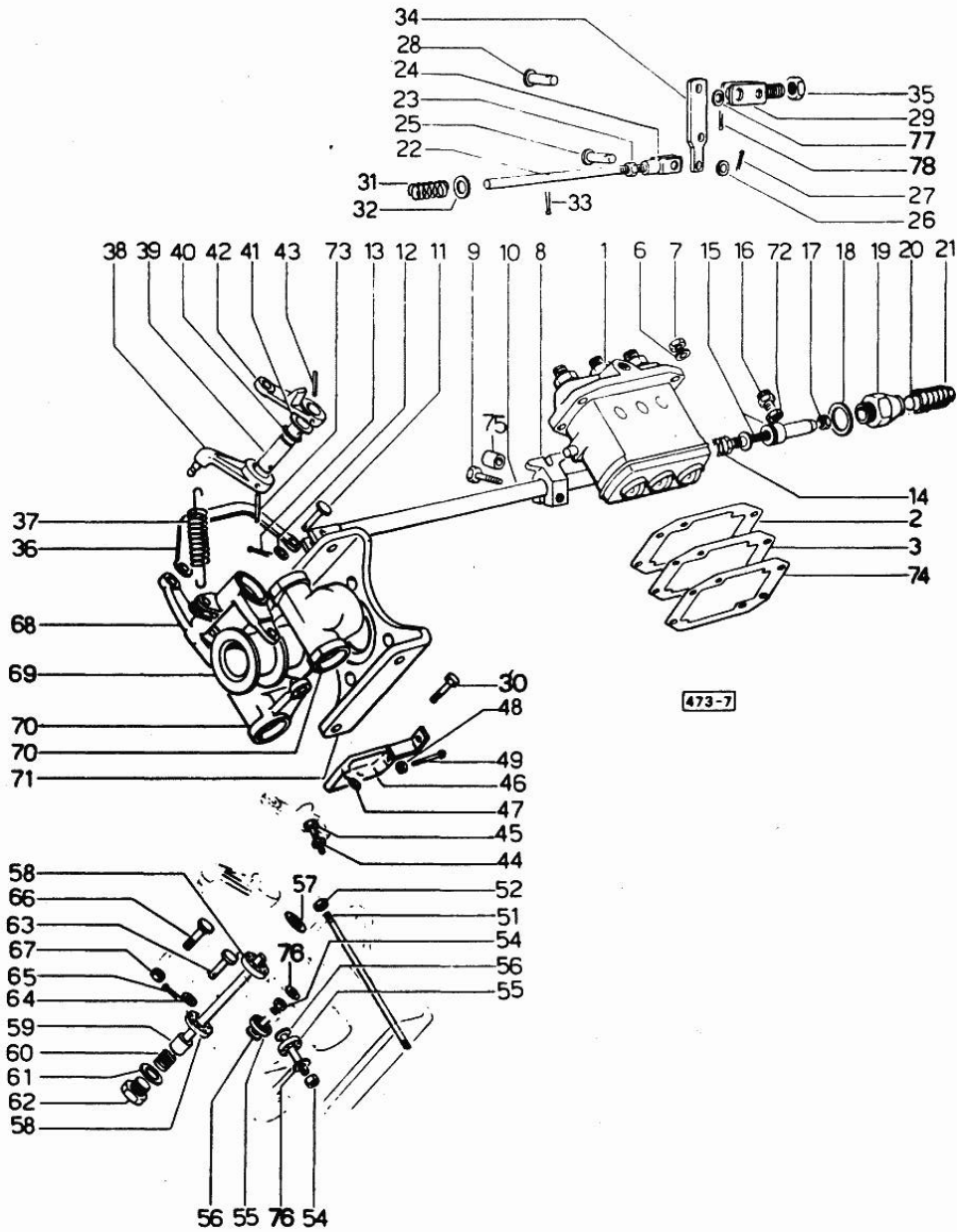


Fig.	P/n	QTY	Name
42	0.041.1621.0	1	lever
43	2.1630.410.0	1	roll pin 4 x 20
44	2.1011.103.2	1	nut m 6 p.1
45	2.0112.009.2	1	screw m 6 p.1 x 25
46	0.052.1661.2/20	1	small cover
47	2.1310.002.2	2	flat washer 6.4x12.5
48	2.1011.102.2	1	nut m 5 p.0.7
49	2.0220.317.1	1	screw
51	0.062.1617.0/10	2	pin
52	2.1120.305.2	2	self-locking nut m 8 p.1 x 8
54	2.1019.007.1	4	special nut m 6 p.1
55	0.062.1653.0	4	roller
56	0.054.1654.0/10	4	pin
57	2.1599.248.1	1	shim 7x11x1
58	2.2999.158.0	2	special bearing
59	0.041.1620.0	1	pin
60	2.4019.283.1	1	spring
61	2.1560.008.0	1	gasket 12.2 x 18
62	2.3110.002.1	1	plug 1/4" gas
63	2.1670.005.2	1	pin 5x22x20
64	2.1310.001.2	1	flat washer 5.3 x 10
65	2.1690.104.0	1	split pin a.1 5x10
66	0.074.1655.0	1	pin
67	2.1011.103.2	1	nut m 6 p.1
68	0.062.1619.0	1	lever
69	0.071.1618.0	1	sleeve
70	0.062.1616.0	2	adjust.rocker
71	0.062.1615.0	1	bracket
72	2.1099.066.1	1	special nut
73	2.1630.511.0	1	roll pin 5x24
74	0.044.1672.0	1	shim mm 0.50
75	2.1579.455.1	1	spacer 6.2x12x14
76	2.1480.012.1	4	washer 6, d128
77	2.1310.004.2	1	flat washer 8.4x17
78	2.1690.206.2	1	split pin A2x15

Thank you so much for reading.
Please click the “Buy Now!”
button below to download the
complete manual.



After you pay.

You can download the most
perfect and complete manual in
the world immediately.

Our support email:

ebooklibonline@outlook.com