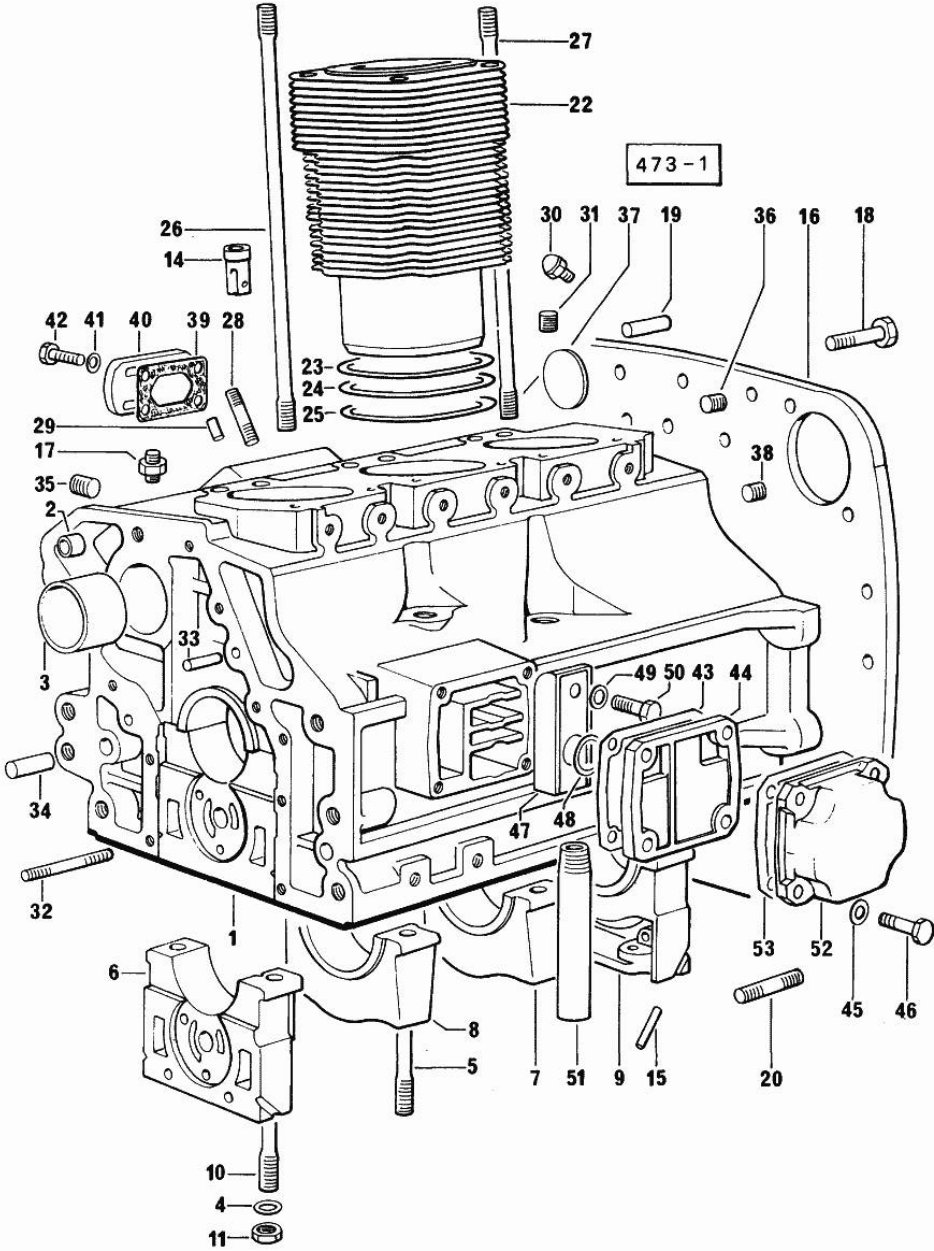


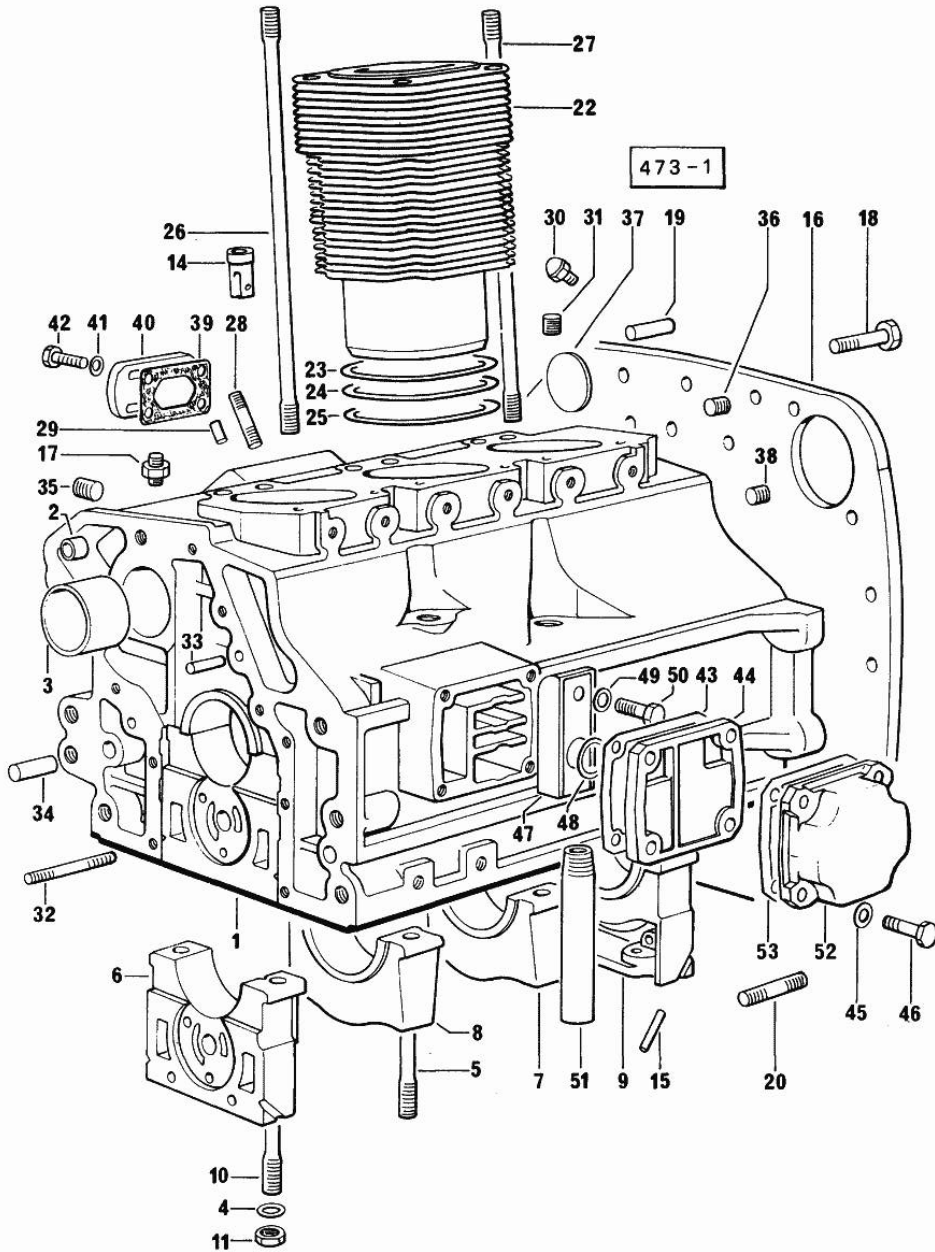
Section: ENGINE
CRANKCASE

Fig.	P/n	QTY	Name
Notes: [SOLAR 60 C]			
0	0.054.0050.6	1	gasket set FOR ENGINE ASSEMBLY
1	0.054.1110.4/40	1	crankcase
2	2.1559.111.0/10	2	special bushing 11.5x14.1x10
3	0.037.1155.0	1	bushing
4	2.1599.144.7	8	shoulder ring 12.5x23x4
5	0.029.1117.0	4	stud bolt
6	0.054.1112.0	1	support
7	0.037.1114.0	1	support
8	0.029.1113.0	1	support
9	0.029.1116.0	1	support
10	0.021.1157.0	4	stud bolt
11	2.1019.026.7	8	special nut m 12 p.1.5
14	0.044.1156.0	6	special bushing
15	0.029.1154.0	4	gasket
16	0.054.1130.0/10	1	flange
17	0.054.1152.0	1	pipe fitting
18	2.0112.511.1	11	screw m 14 p.2 x 30
19	2.1652.911.0	2	cylindrical plug 12x25
20	2.0432.153.7	2	stud bolt m 10 p.1.5 / p.1.25 x 20
22	0.044.1120.0/10	3	engine cylinder
23	2.1589.052.0	7	shoulder ring 115x123x0.2
24	2.1589.051.0	3	shoulder ring 116x123x0.1
25	2.1569.076.0	3	gasket 116x123x0.5
26	0.041.1123.0/10	3	stud bolt
27	0.039.1122.0	12	stud bolt m 12 p.1.5x310
28	2.0432.003.7	4	stud bolt m 8 p.1.25 / p.1 x 20
29	2.1652.306.0	1	cylindrical plug 4x14
30	0.071.1151.3	3	valve
31	2.3130.001.1	2	plug 1/8" gas
32	2.0432.025.7	2	stud bolt m 8 p.1.25 - 1.00 x 100
33	2.1653.711.0	1	pin
34	2.1699.114.0	1	pin 8x55
35	2.3139.001.1	3	plug
36	2.3130.002.1	1	plug 1/4" gas
37	2.3170.022.1	1	expansion plug 60
38	2.3130.003.1	2	plug 3/8" gas
39	0.044.1151.0	1	gasket
40	0.044.1164.2/10	1	small cover
41	2.1310.004.2	4	flat washer 8.4x17
42	2.0112.204.2	4	screw m 8 p.1.25x14



Section: ENGINE
CRANKCASE

Fig.	P/n	QTY	Name
43	0.044.1153.0/10	1	gasket
44	0.071.1153.0	1	small cover
45	2.1474.009.1	4	spring washer 8
46	2.0112.211.2	4	screw m 8 p.1.25 x 30
47	0.071.1155.2	1	small guard
48	0.076.1156.0	1	-
49	2.1474.009.1	1	spring washer 8
50	2.0312.206.2	1	screw m 8 p 1.25 x 20
51	0.044.1152.0/10	1	tube
52	0.071.1154.0	1	small cover
53	0.044.1153.0/10	1	gasket



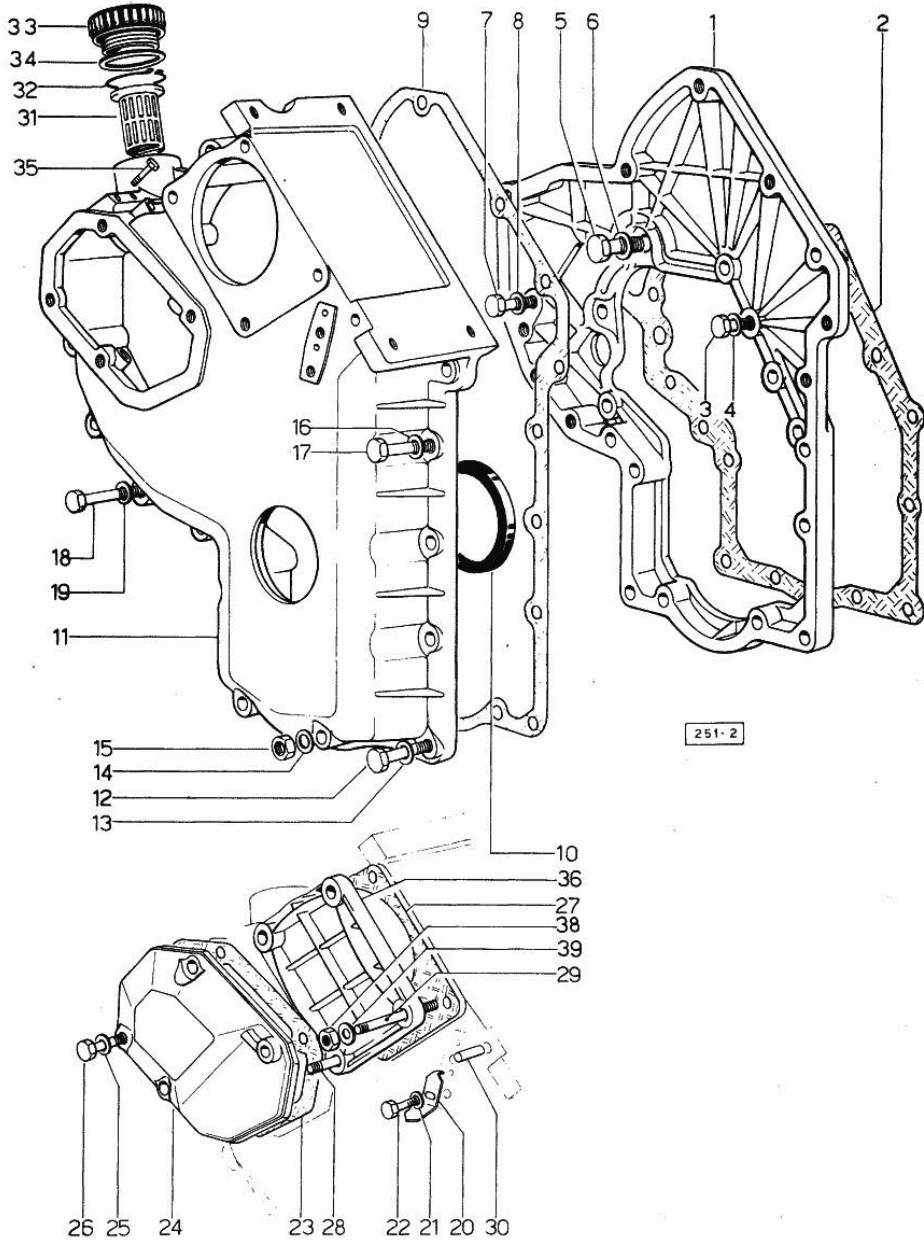
Section: ENGINE

TIMING CASE

Fig.	P/n	QTY	Name
------	-----	-----	------

Notes:
[SOLAR 60 C]

1	0.048.1131.0	1	flange
2	0.041.1153.0	1	gasket
3	2.0112.209.2	2	screw m 8 p 1.25 x 25
4	2.1474.009.1	5	spring washer 8
5	2.0119.034.1	1	screw m 14 p.2x20
6	2.1560.010.0	1	gasket 14.2 x 20
7	2.0112.207.2	1	screw m 8 p 1.25 x 20
8	2.1474.009.1	1	spring washer 8
9	0.041.1152.0	1	gasket
10	2.1519.010.0	1	special oil seal 58x80x10
11	0.048.1132.0/40	1	guard
12	2.0112.217.2	5	screw m 8 p.1.25 x 45
13	2.1474.009.1	5	spring washer 8
14	2.1560.003.0	2	copper gasket 8.2 x 12
15	2.1011.405.2	2	nut m 8 p.1
16	2.1474.009.1	2	spring washer 8
17	2.0112.211.2	5	screw m 8 p.1.25 x 30
18	2.0112.222.2	4	screw m 8 p.1.25x65
19	2.1474.009.1	4	spring washer 8
20	0.041.1158.0	1	index
21	2.1310.004.2	1	flat washer 8.4x17
22	2.0112.204.2	1	screw m 8 p.1.25x14
23	0.048.1151.0/10	1	gasket
24	0.048.1150.0/20	1	cover
25	2.1560.006.0	4	gasket 10.2 x 16
26	2.0112.315.2	4	screw m 10 p.1.5 x 40
27	0.041.1154.0	1	gasket
28	2.0432.015.7	1	stud bolt m 8 p.1.25-1x50
29	2.0432.028.7	3	stud bolt m 8 p.1.25-1x130
30	2.1653.717.0	1	pin 8 x 40
31	0.041.1159.0/10	1	filter
32	2.1411.012.1	1	circlip 30
33	0.041.1135.4	1	plug 1" gas
34	2.1569.072.0	1	gasket 32 x 39.5 x 2
35	2.0119.081.2	2	screw
36	0.037.1151.0/10	1	cover
38	2.1011.505.2	4	nut m 8 p.1
39	2.1310.004.2	4	flat washer 8.4x17

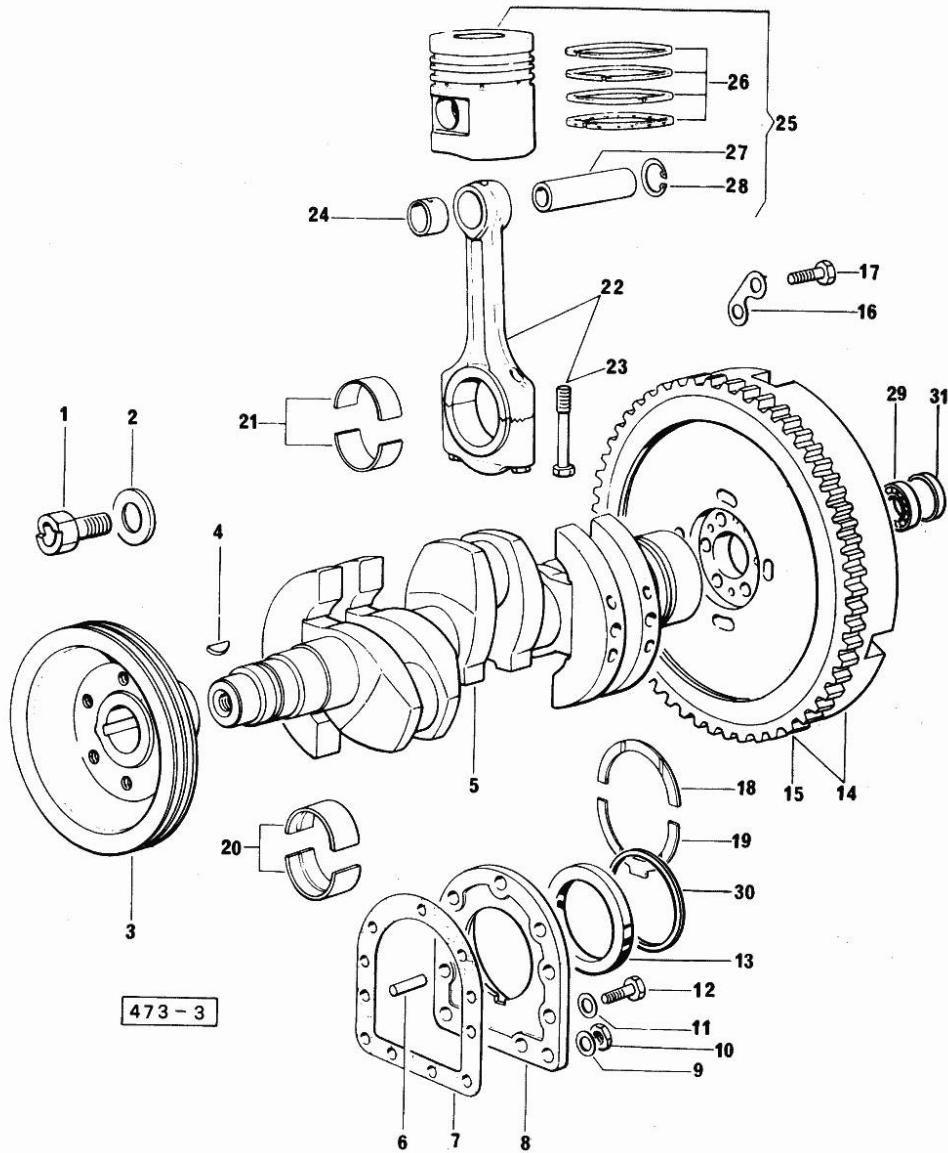


Section: ENGINE
CRANKSHAFT

Fig.	P/n	QTY	Name
------	-----	-----	------

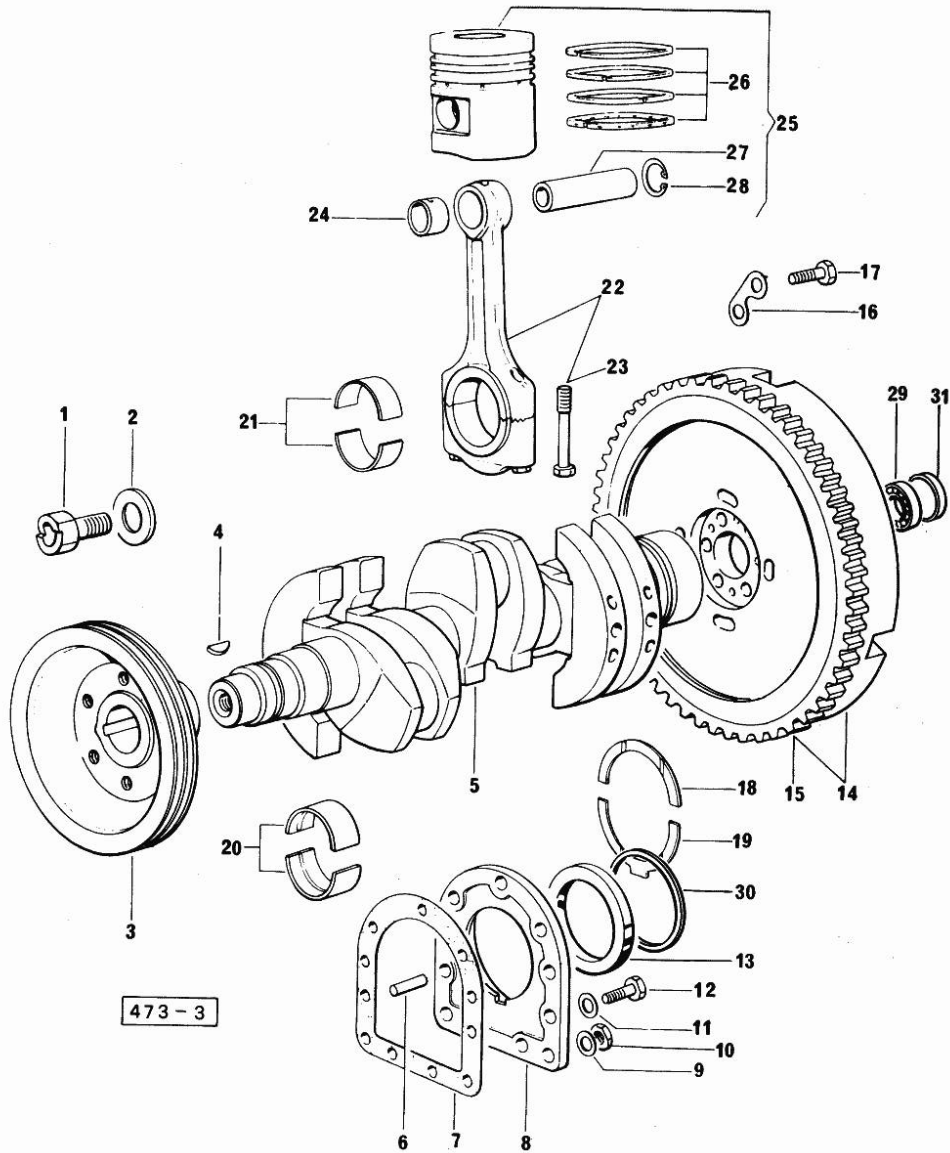
Notes:
 [SOLAR 60 C]

1	2.0129.032.2	1	screw m 24 p.2x45
2	0.001.6020.0	1	shoulder
3	0.062.1250.0	1	pulley
4	2.1799.026.0	1	key 10x10
5	0.053.1210.4/10	1	crankshaft
6	2.1652.915.0	2	cylindrical plug 12x35
7	0.029.1250.0/10	1	gasket
8	0.045.1240.0	1	flange
9	2.1560.006.0	2	gasket 10.2 x 16
10	2.1011.421.2	2	nut m 10 p.1.25
11	2.1474.010.1	9	spring washer 10
12	2.0112.309.2	9	screw m 10 p.1.5 x 25
13	2.1529.045.0	1	oil seal
14	0.316.1241.3/20	1	flywheel
15	0.038.1242.0	1	crown wheel Z = 120, mm 15
16	2.1379.006.0	3	lock-tab 15x15x36,5
17	2.0122.517.7	6	screw m 14 p.1.5x45
18	0.001.4544.0		shoulder ring + mm 0.05
18	0.001.4545.0		shoulder ring + mm 0.10
18	0.001.4546.0		shoulder ring + mm 0.15
18	0.042.1218.0	2	shoulder ring STANDARD
19	0.001.4547.0		shoulder ring + mm 0.05
19	0.001.4548.0		shoulder ring + mm 0.10
19	0.001.4549.0		shoulder ring + mm 0.15
19	0.042.1219.0	2	shoulder ring STANDARD
20	0.073.1215.0	8	main half bushing STANDARD
20	0.073.1215.7		main half bushing - mm 0.25
20	0.073.1215.8		main half bushing - mm 0.50
20	0.073.1215.9		main half bushing - mm 0.75
21	0.062.1225.0	6	con.rod half bushing STANDARD
21	0.062.1225.7		con.rod half bushing - mm 0.25
21	0.062.1225.8		con.rod half bushing - mm 0.50
21	0.062.1225.9		con.rod half bushing - mm 0.75
22	0.052.1220.3/10	3	engine connecting rod
23	0.039.1250.0	6	screw m 14 p.1.5x63
24	0.002.4168.0	3	bearing
25	0.054.0060.6/10	3	complete piston STANDARD
25	0.054.0061.6/10		complete piston + mm 0.50
25	0.054.0062.6/10		complete piston + mm 1.0
26	0.073.0052.6	3	piston ring set
26	0.073.0053.6		piston ring set + mm 0.5



CRANKSHAFT

Fig.	P/n	QTY	Name
26	0.073.0054.6		piston ring set + mm 1.0
27	0.002.4167.0	3	piston pin
28	2.1411.014.1	6	circlip 35
29	2.2061.005.0	1	ball bearing iso 17 bc 03
30	2.1599.404.0	1	shoulder ring
31	2.1579.616.0	1	spacer



Section: ENGINE
CAMSHAFT

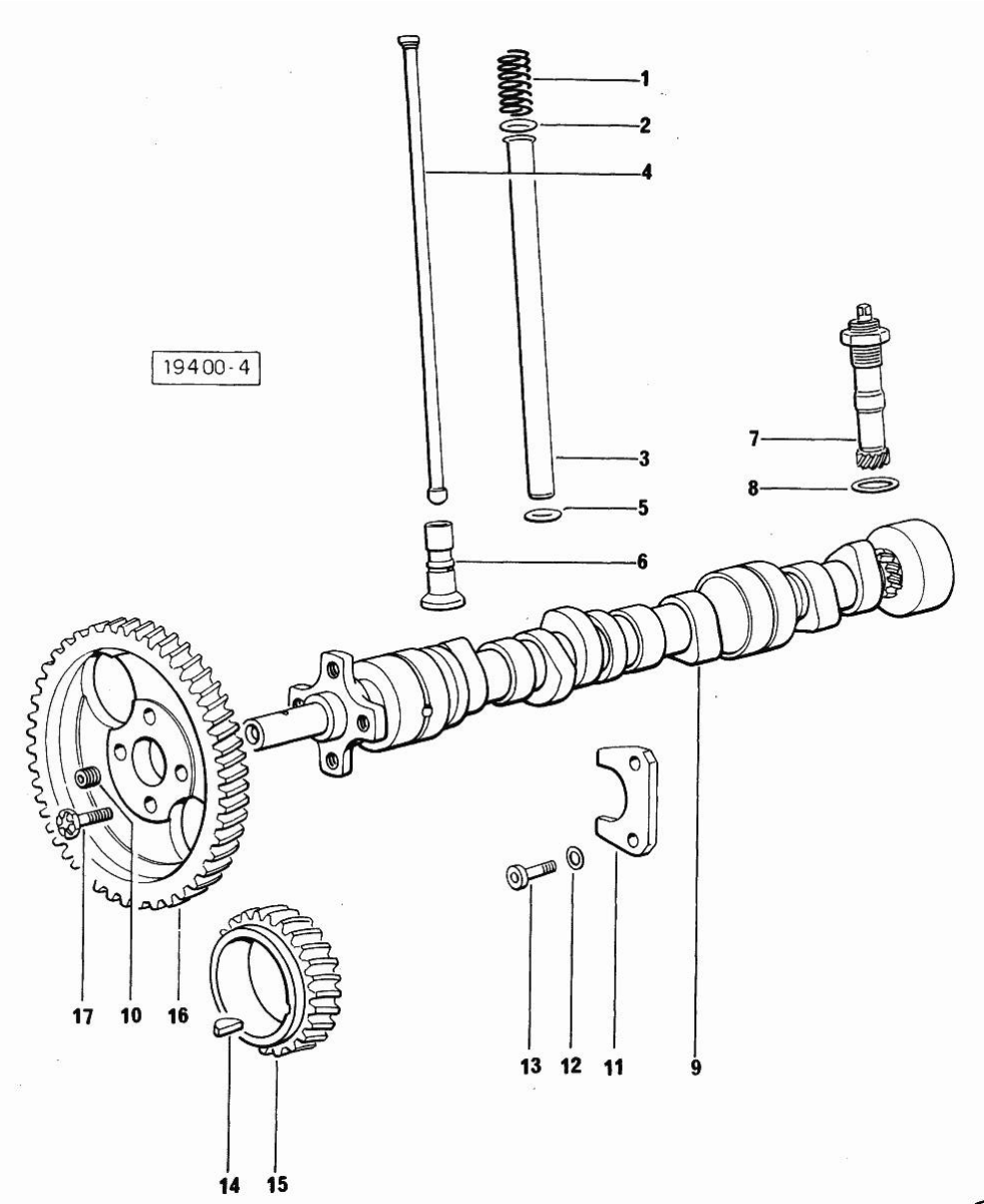


Fig.	P/n	QTY	Name
Notes:			
[SOLAR 60 C]			
1	2.4019.162.1/20	6	spring 17.2x46x1.8
2	2.1539.022.0	6	special oil seal 12.37x2.62
3	0.041.1332.0	6	sleeve
4	0.041.1331.3	6	rod
5	2.1539.020.0	6	special oil seal 13.95x2.62
6	0.052.1330.0/20	6	tappets
7	0.041.1355.3	1	transmission
8	2.1560.013.0	1	gasket 18.2x22
9	0.054.1310.0/20	1	camshaft
10	2.3130.001.1	1	plug 1/8" gas
11	0.027.1314.0	1	flange
12	2.1470.004.2	2	lock washer 8
13	2.0112.207.2	2	screw m 8 p 1.25 x 20
14	2.1720.010.0	1	key 5x9
15	0.040.1320.0	1	gear z = 33
16	0.062.1321.0	1	gear z=66
17	2.0139.005.1	4	screw m 10 p.1 x 25

Section: ENGINE
CYLINDER HEAD

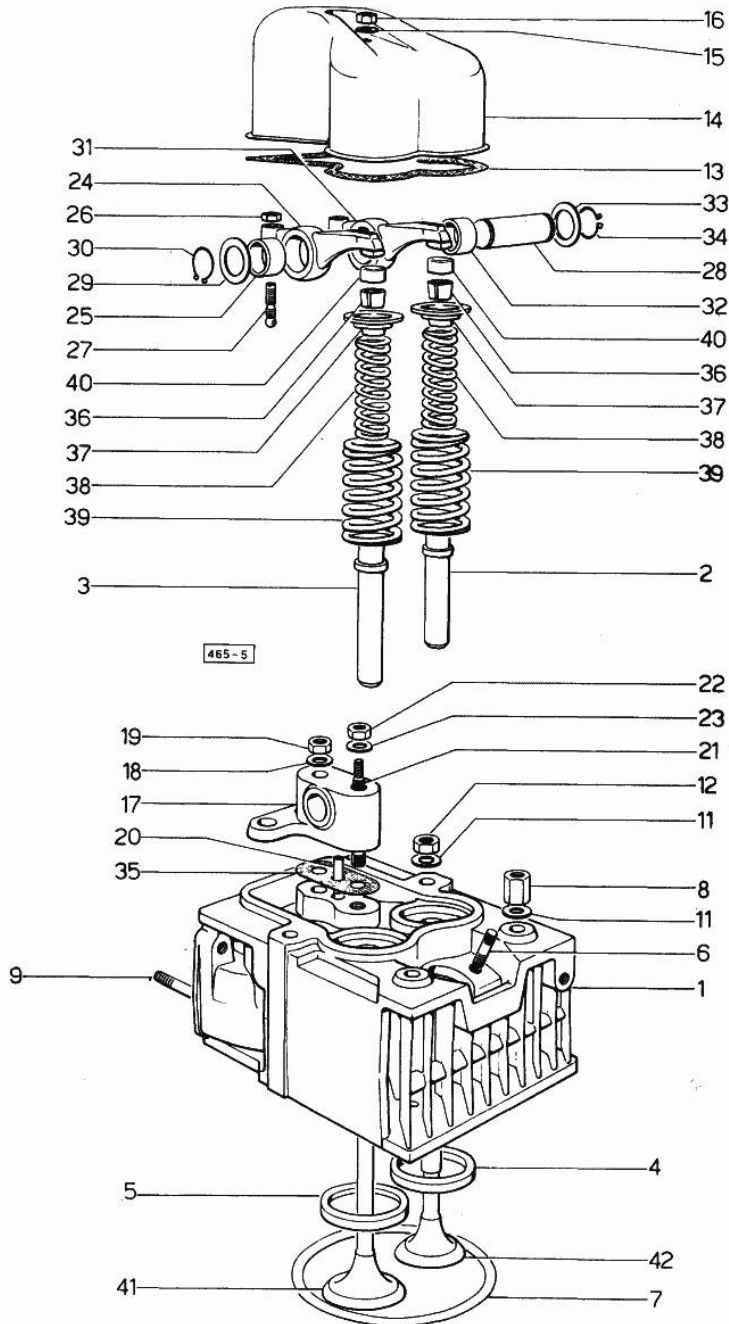


Fig.	P/n	QTY	Name
Notes: [SOLAR 60 C]			
0	0.073.0057.6	1	gasket set FOR GRINDING VALVES OF ONE CYLINDER AND PISTON RING RENEWAL
1	0.062.1410.3/10	3	engine head
2	0.062.1417.0/10	3	valve guide
3	0.062.1416.0/10	3	valve guide
4	0.062.1450.0/10	3	valve seat
5	0.062.1451.0/10	3	valve seat
6	2.0439.087.1/20	6	stud bolt m 8 p.1.25 / p.1 x 40
7	2.1569.078.0/10	3	gasket 106x118x0.5
8	2.1019.037.0	5	special nut m 12 p.1.5
9	2.0432.005.7	6	stud bolt m 8 p.1.5 / p.1 x 25
9	2.0432.007.7	1	stud bolt m 8 p.1.25 / p.1 x 30
9	2.0432.009.7	1	stud bolt m 8 p.1.25 / p.1 x 35
11	2.1599.406.0	12	shoulder ring
12	2.1019.025.0	7	special nut m 12 p.1.5
13	0.029.1450.0	3	gasket
14	0.039.1440.0	3	cap
15	2.1560.004.0	3	copper gasket 8.2 x 14
16	2.1099.056.2	3	special nut m 8 p.1 x 8
17	0.041.1430.0	3	support
18	2.1599.160.0	3	washer 10.5x19x4
19	2.1099.035.0	3	special nut m 10 p.1.25
20	0.029.1452.0	3	tube
21	0.039.1451.0	3	stud bolt
22	2.1011.421.2	3	nut m 10 p.1.25
23	2.1310.006.2	3	flat washer 10.5x21
24	002.5937.3/30	3	rocker arm
25	2.1559.021.0/40	3	bushing 15x19x22
26	2.1011.405.2	6	nut m 8 p.1
27	0.021.1434.0	6	screw
28	0.041.1431.0	3	pin
29	2.1599.019.0	3	shoulder ring 19.5x31x2
30	2.1410.055.1	3	circlip 19
31	0.002.5936.3/40	3	rocker arm
32	2.1559.021.0/40	3	bushing 15x19x22
33	2.1599.019.0	3	shoulder ring 19.5x31x2
34	2.1410.055.1	3	circlip 19
35	0.034.1450.0	3	tappet gasket
36	0.062.1423.0/10	6	conical valve cotter
37	0.062.1425.0	6	cup

Section: ENGINE
CYLINDER HEAD

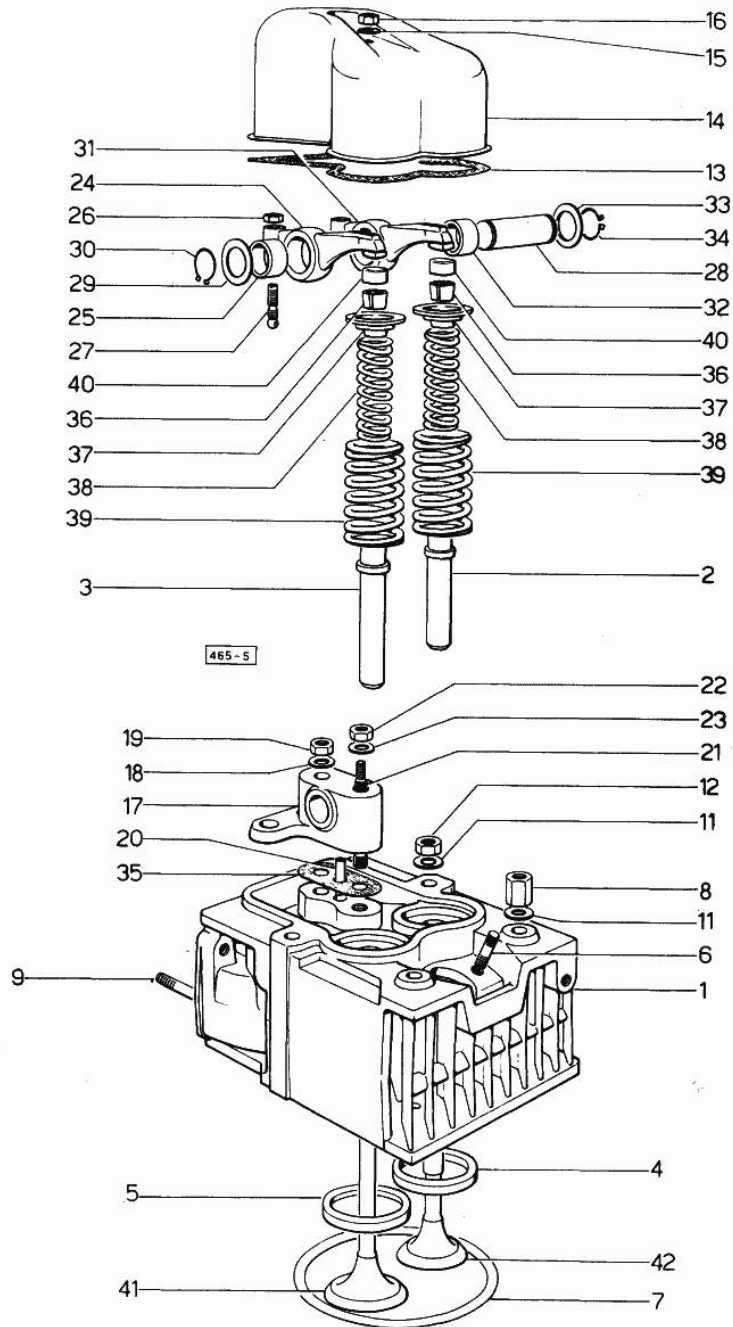


Fig.	P/n	QTY	Name
38	2.4019.194.0	6	spring 22.70x50.7x2.1
39	2.4019.193.0	6	spring 36.15x55.2x3.2
40	0.062.1452.0	6	small cover
41	0.042.1420.2	3	inlet valve Ø mm 8
42	0.071.1420.2	3	exhaust valve Ø mm 8

Section: ENGINE
LUBRICATION

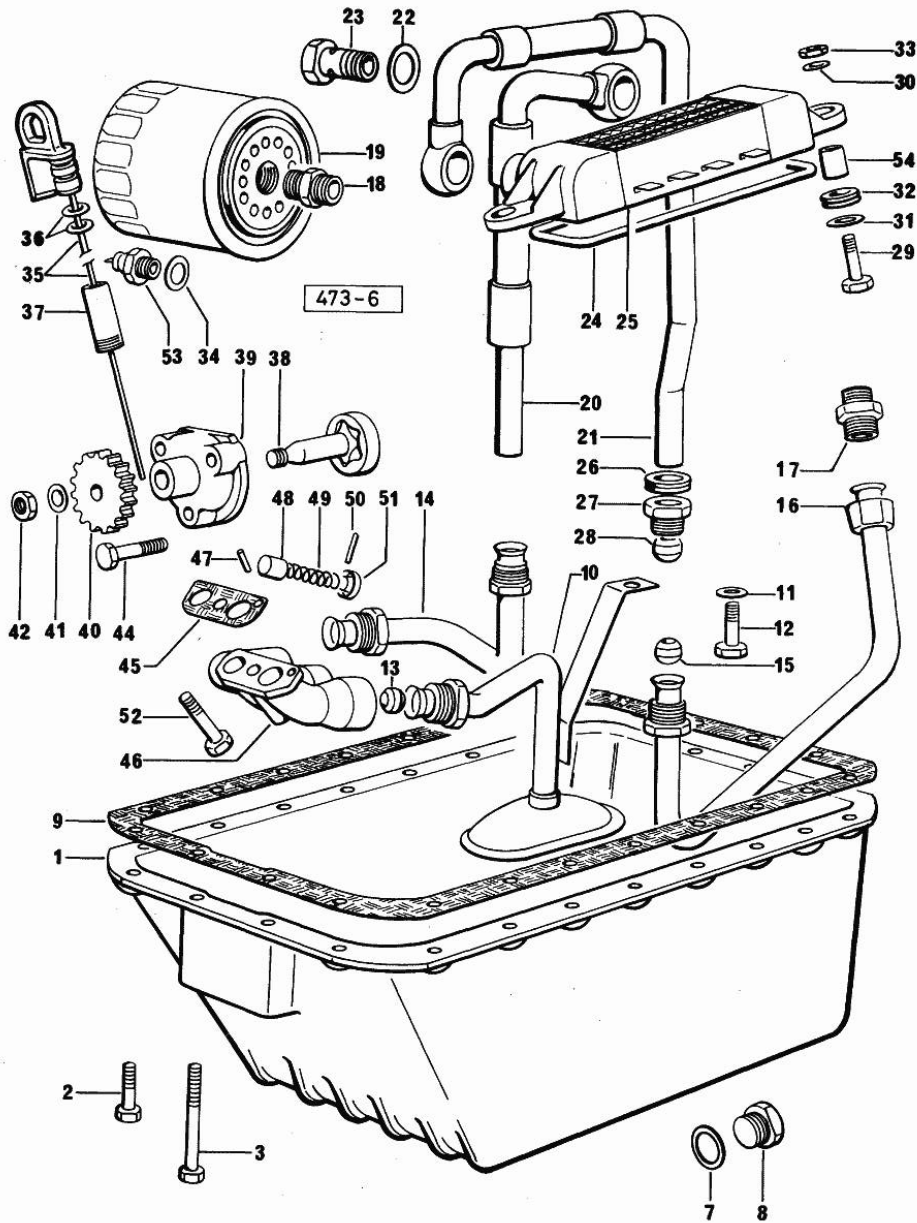


Fig.	P/n	QTY	Name
------	-----	-----	------

Notes:
[SOLAR 60 C]

1	0.038.1556.0	1	oil sump
2	2.0112.209.2	22	screw m 8 p 1.25 x 25
3	2.0112.222.2	2	screw m 8 p.1.25x65
7	2.1560.054.0	1	gasket 21 x 26
8	2.3199.001.2	1	plug 1/2" gas
9	0.038.1555.0	1	gasket
10	0.054.1563.0	1	-
11	2.1310.004.2	1	flat washer 8.4x17
12	2.0112.204.2	1	screw m 8 p.1.25x14
13	2.3359.016.1	2	nosepiece
14	0.054.1542.2/10	1	tube
15	2.3359.015.1	2	nosepiece
16	0.044.1543.2/30	1	tube
17	2.3339.159.1/10	1	pipe fitting
18	2.3339.094.1/10	1	pipe fitting m 20 p.1.5-3/4 gas
19	0.044.1567.0	1	oil filter element
20	0.054.1551.2/10	1	tube
21	0.054.1552.2/20	1	tube
22	2.1560.018.0	4	gasket 22.2 x 29
23	2.3339.107.1	2	pipe union m 22
24	0.054.1541.0	1	gasket
25	0.054.1540.2/10	1	oil cooler
26	2.6560.013.0	1	wire guide 18x1.5
26	2.6560.022.0	1	wire guide 28x1.5
27	2.3339.167.2	2	pipe fitting
28	2.3359.012.0	2	nosepiece 10x16.8
29	2.0112.211.2	2	screw m 8 p.1.25 x 30
30	2.1310.004.2	2	flat washer 8.4x17
31	2.1599.006.0	4	shoulder ring 8.4x25x2
32	0.021.1560.0	4	rubber plug
33	2.1011.105.2	2	nut m 8 p.1.25
34	2.1560.008.0	1	gasket 12.2 x 18
35	0.068.1513.2	1	dipstick
36	2.1539.065.0	2	special oil seal 8.73 x 1.78
37	0.044.1555.0	1	spacer
38	0.054.1524.3/10	1	rotor
39	0.054.1520.0	1	pump casing
40	0.054.1521.0	1	gear
41	2.1310.006.2	1	flat washer 10.5x21
42	2.1121.107.2	1	self-locking nut m 10 p 1.25
44	2.0112.215.2	3	screw m 8 p.1.25 x 40

Section: ENGINE
LUBRICATION

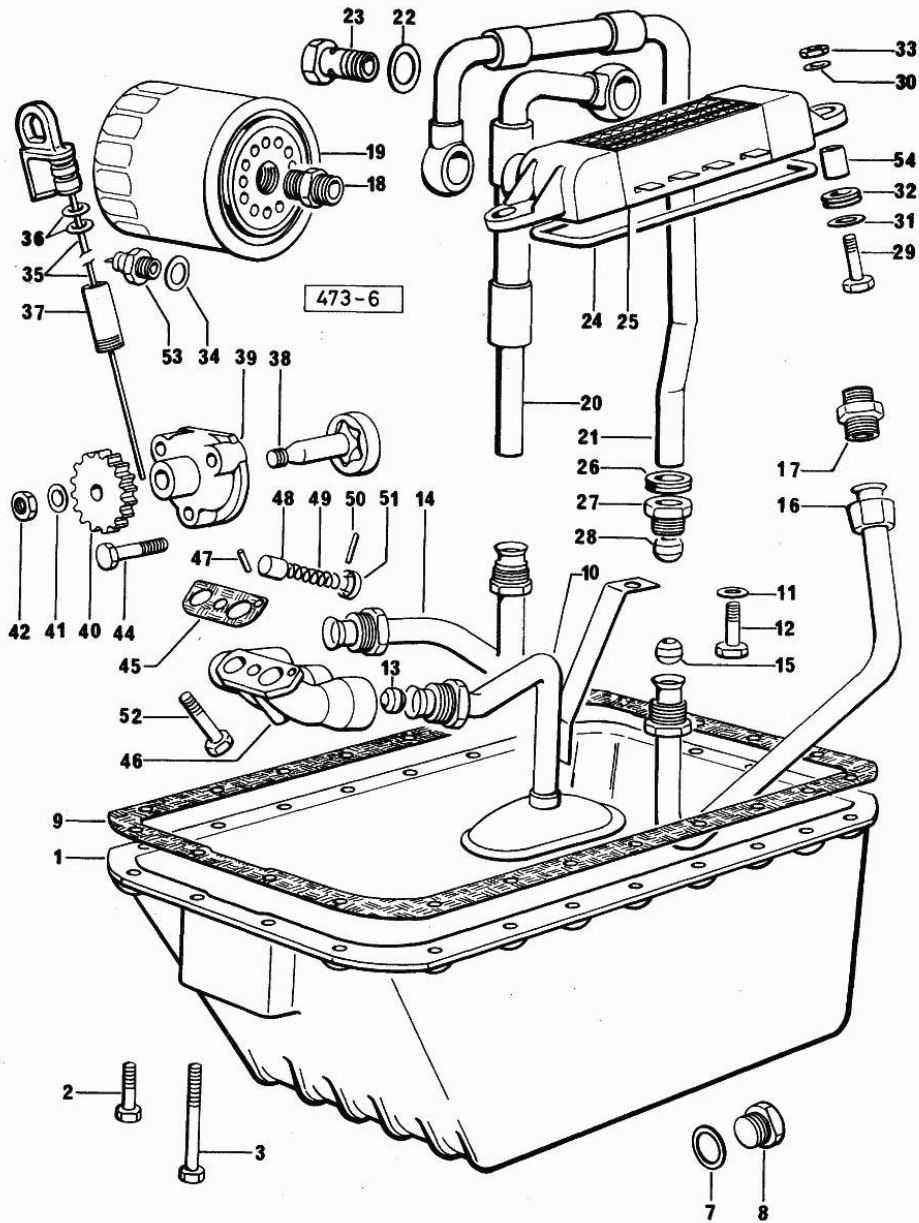


Fig.	P/n	QTY	Name
45	0.054.1550.0	1	gasket
46	0.054.1530.0/20	1	tip
47	2.1651.305.2	1	cylindrical plug 4 x 12
48	0.052.1571.0	1	small piston
49	2.4019.270.1	1	spring 9.7x54x2
50	2.1630.213.0	1	roll pin 3x32
51	0.054.1558.0/10	1	stop
52	2.0132.213.2	1	screw
53	2.7099.040.0/10	1	pressure switch
54	0.427.6352.0	2	bushing 10x12x13

Thank you so much for reading.
Please click the “Buy Now!”
button below to download the
complete manual.



After you pay.

You can download the most
perfect and complete manual in
the world immediately.

Our support email:

ebooklibonline@outlook.com