

CRANKCASE

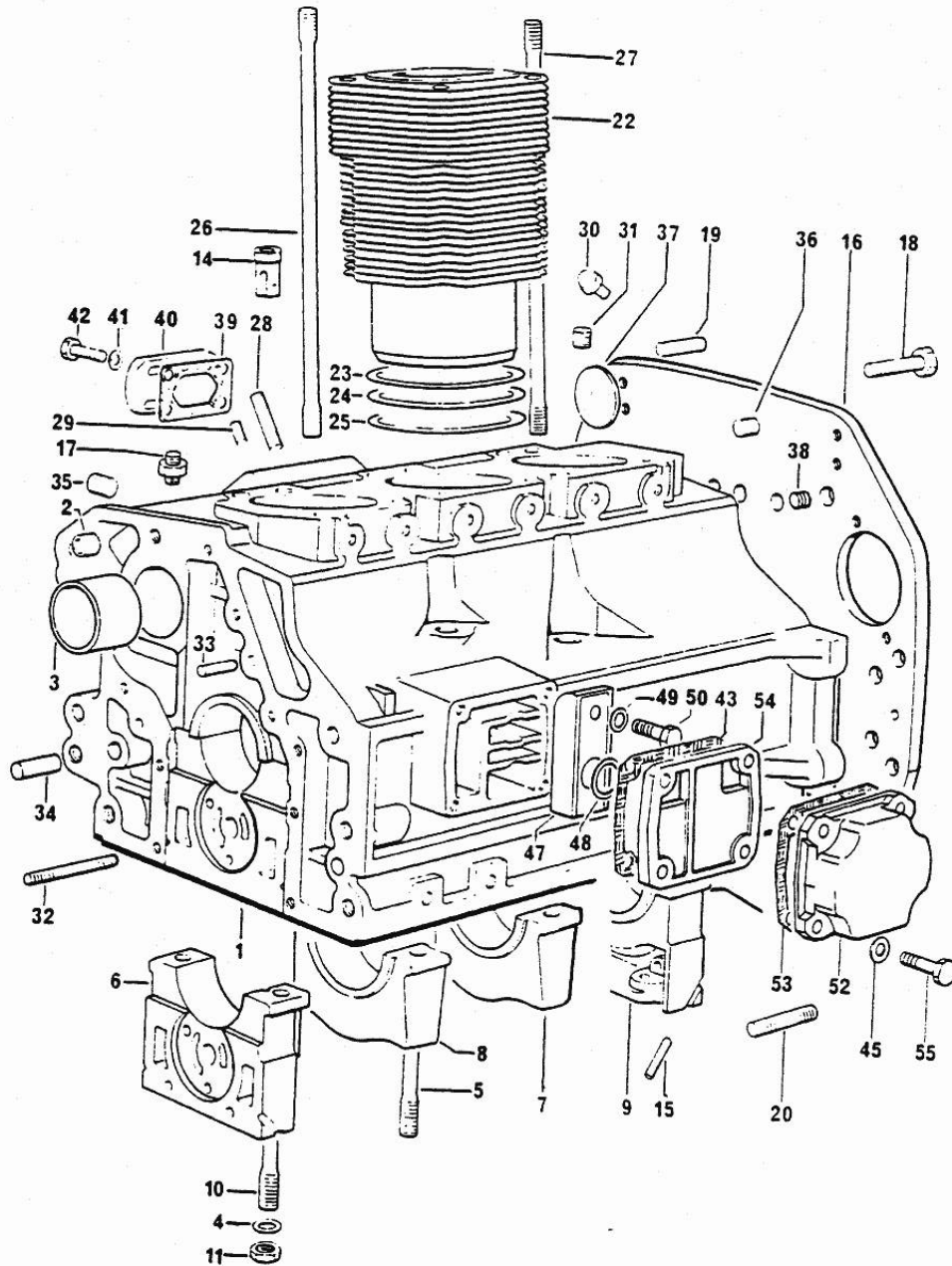


Fig.	P/n	QTY	Name
------	-----	-----	------

Notes:
[SOLAR 60 COMPACT HD]

0	0.054.0050.6	1	gasket set FOR ENGINE ASSEMBLY
1	0.054.1110.4/40	1	crankcase
2	2.1559.111.0/10	2	special bushing 11.5x14.1x10
3	0.037.1155.0	1	bushing
4	2.1599.144.7	8	shoulder ring 12.5x23x4
5	0.029.1117.0	4	stud bolt
6	0.054.1112.0	1	support
7	0.037.1114.0	1	support
8	0.029.1113.0	1	support
9	0.029.1116.0	1	support
10	0.021.1157.0	4	stud bolt
11	2.1019.026.7	8	special nut m 12 p.1.5
14	0.044.1156.0	6	special bushing
15	0.029.1154.0/10	4	gasket
16	0.054.1130.0/10	1	flange
17	0.054.1152.0	1	pipe fitting
18	2.0112.511.1	11	screw m 14 p.2 x 30
19	2.1652.911.0	2	cylindrical plug 12x25
20	2.0432.153.7	2	stud bolt m 10 p.1.5 / p.1.25 x 20
22	0.044.1120.0/10	37	engine cylinder
23	2.1589.052.0	3	shoulder ring 115x123x0.2
24	2.1589.051.0	3	shoulder ring 116x123x0.1
25	2.1569.076.0	3	gasket 116x123x0.5
26	0.041.1123.0/10	12	stud bolt
27	0.039.1122.0	4	stud bolt m 12 p.1.5x310
28	2.0432.003.7	1	stud bolt m 8 p.1.25 / p.1 x 20
29	2.1652.306.0	3	cylindrical plug 4x14
30	0.071.1151.3	2	valve
31	2.3130.001.1	2	plug 1/8" gas
32	2.0432.025.7	1	stud bolt m 8 p.1.25 - 1.00 x 100
33	2.1652.711.0	1	cylindrical plug 8x25
34	2.1699.114.0	3	pin 8x55
35	2.3139.001.1	1	plug
36	2.3130.002.1	1	plug 1/4" gas
37	2.3170.022.1	2	expansion plug 60
38	2.3130.003.1	1	plug 3/8" gas
39	0.044.1151.0	1	gasket
40	0.044.1164.2/10	4	small cover
41	2.1310.004.2	2	flat washer 8.4x17
42	2.0112.204.2	1	screw m 8 p.1.25x14

CRANKCASE

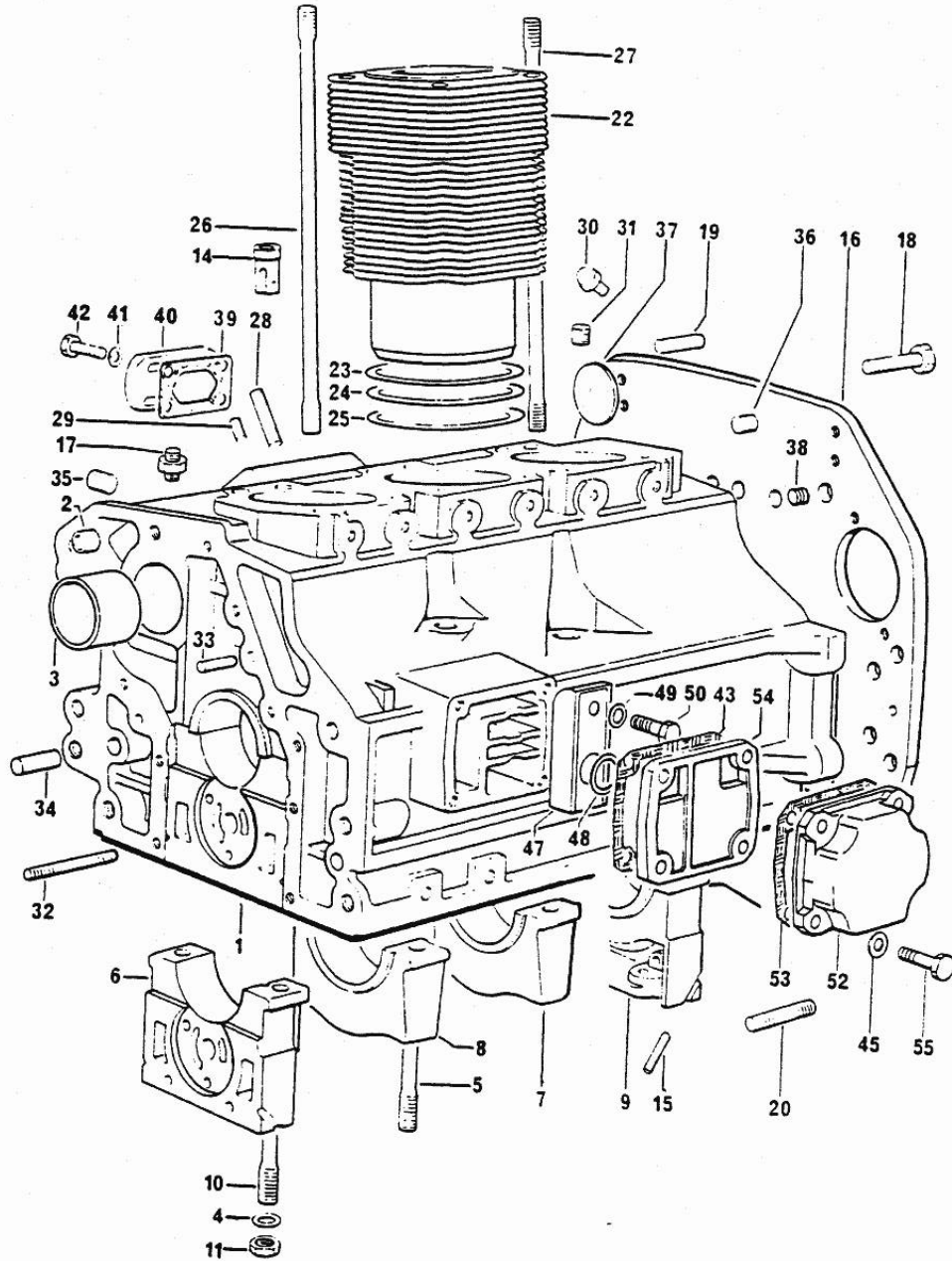


Fig.	P/n	QTY	Name
43	0.044.1153.0/10	4	gasket
45	2.1474.009.2	1	spring washer 8
47	0.071.1155.2	1	small guard
48	0.071.1156.0	1	special oil seal
49	2.1474.009.2	1	spring washer 8
50	2.0312.206.2	1	screw m 8 p 1.25 x 20
52	0.071.1154.0	1	small cover
53	0.044.1153.0/10	1	gasket
54	0.071.1153.0	1	small cover
55	2.0112.211.2	4	screw m 8 p.1.25 x 30

Section: ENGINE
TIMING CASE

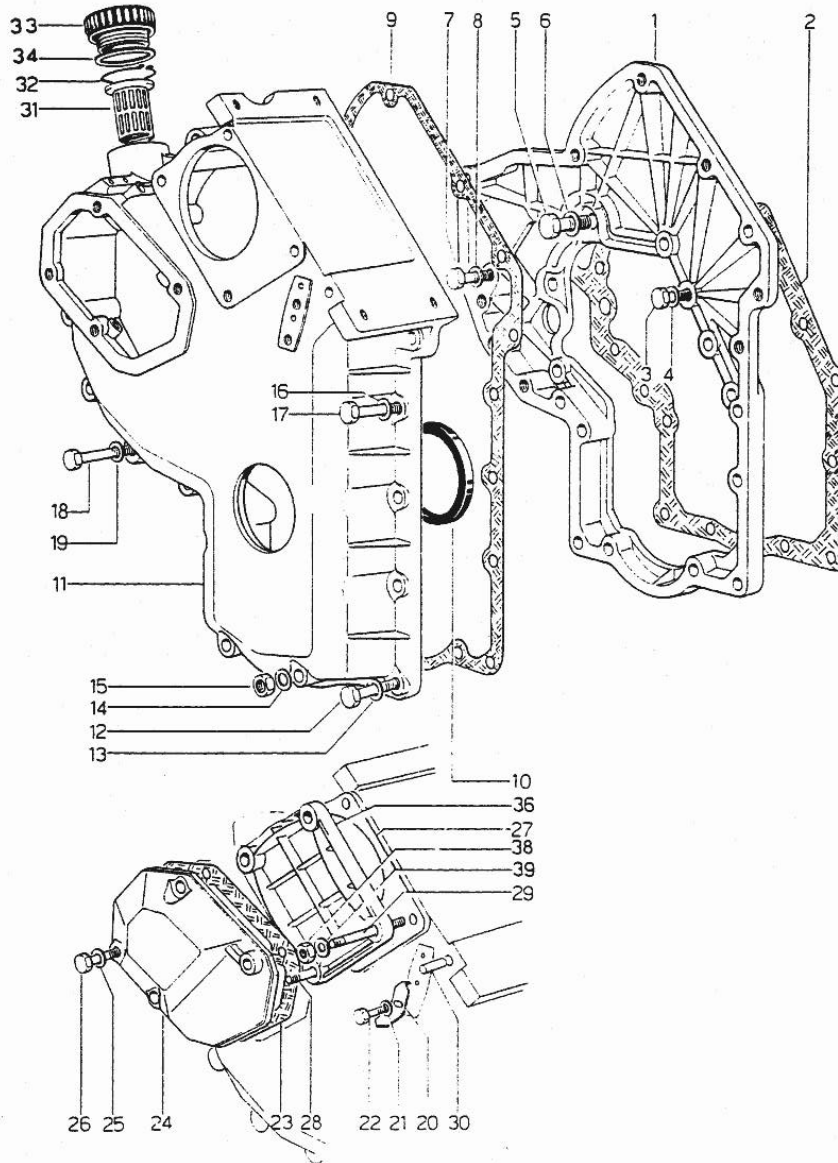


Fig.	P/n	QTY	Name
------	-----	-----	------

Notes:
[SOLAR 60 COMPACT HD]

1	0.048.1131.0	1	flange
2	0.041.1153.0	1	gasket
3	2.0112.209.2	2	screw m 8 p 1.25 x 25
3	2.0112.211.2	3	screw m 8 p.1.25 x 30
4	2.1474.009.2	5	spring washer 8
5	2.0119.034.1	1	screw m 14 p.2x20
6	2.1560.010.0	1	gasket 14.2 x 20
7	2.0112.207.2	1	screw m 8 p 1.25 x 20
8	2.1474.009.2	1	spring washer 8
9	0.041.1152.0	1	gasket
10	2.1519.010.0	1	special oil seal 58x80x10
11	0.048.1132.0/40	1	guard
12	2.0112.217.2	5	screw m 8 p.1.25 x 45
13	2.1474.009.2	5	spring washer 8
14	2.1560.003.0	2	copper gasket 8.2 x 12
15	2.1011.405.2	1	nut m 8 p.1
16	2.1474.009.2	2	spring washer 8
17	2.0112.211.2	2	screw m 8 p.1.25 x 30
18	2.0112.222.2	4	screw m 8 p.1.25x65
19	2.1474.009.2	4	spring washer 8
20	0.041.1158.0	1	index
21	2.1310.004.2	1	flat washer 8.4x17
22	2.0112.204.2	3	screw m 8 p.1.25x14
23	0.048.1151.0/10	1	gasket
24	0.048.1150.0/20	1	cover
25	2.1560.006.0	4	gasket 10.2 x 16
26	2.0112.315.2	4	screw m 10 p.1.5 x 40
27	0.041.1154.0	2	gasket
28	2.0432.015.7	1	stud bolt m 8 p.1.25-1x50
29	2.0432.028.7	3	stud bolt m 8 p.1.25-1x130
30	2.1653.717.0	1	pin 8 x 40
31	0.041.1159.0/10	1	filter
32	2.1411.012.1	1	circlip 30
33	0.041.1135.4	1	plug 1" gas
34	2.1569.072.0	1	gasket 32 x 39.5 x 2
36	0.037.1151.0/10	1	cover
38	2.1011.505.2	4	nut m 8 p.1
39	2.1310.004.2	4	flat washer 8.4x17

Section: ENGINE

CRANKSHAFT

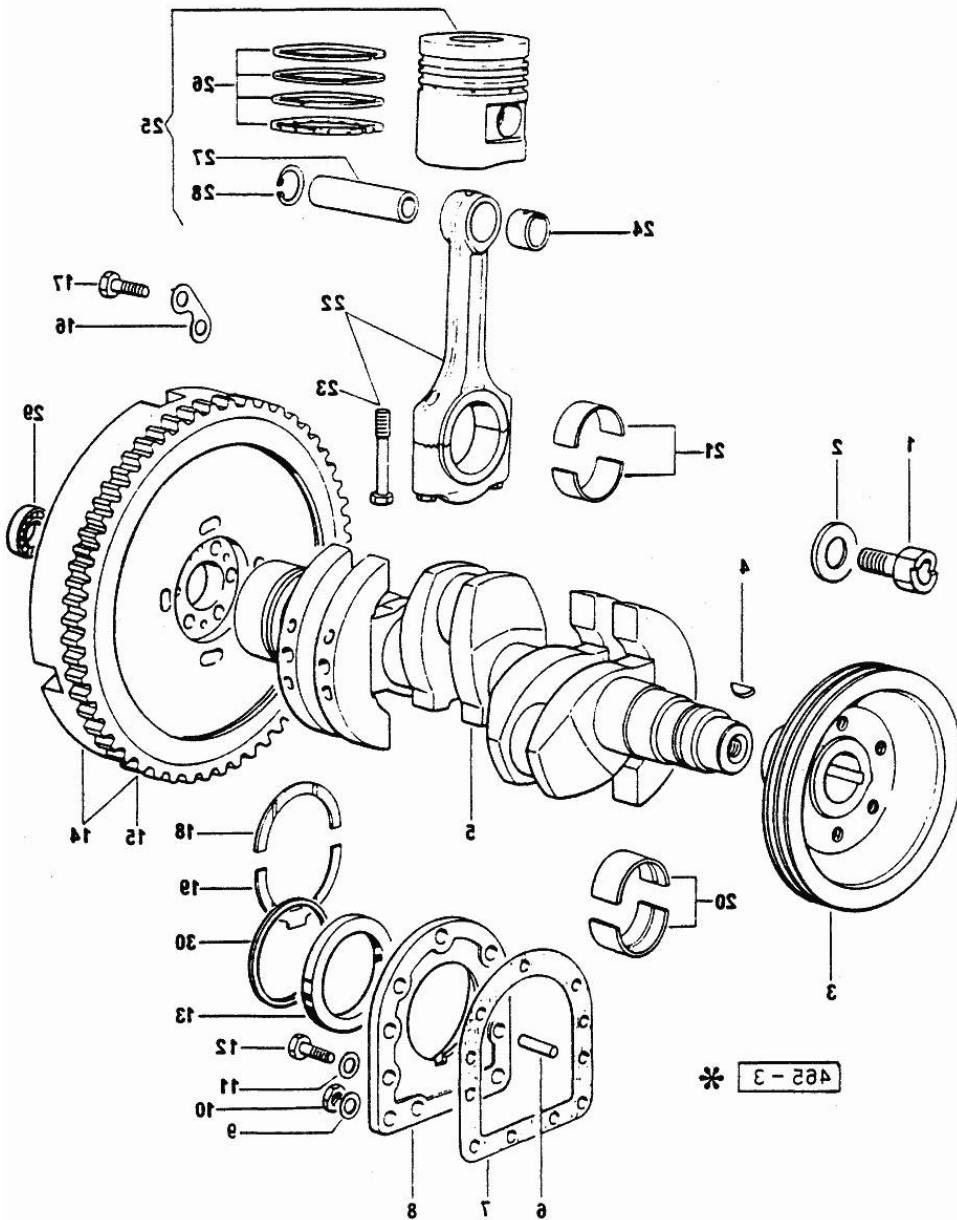


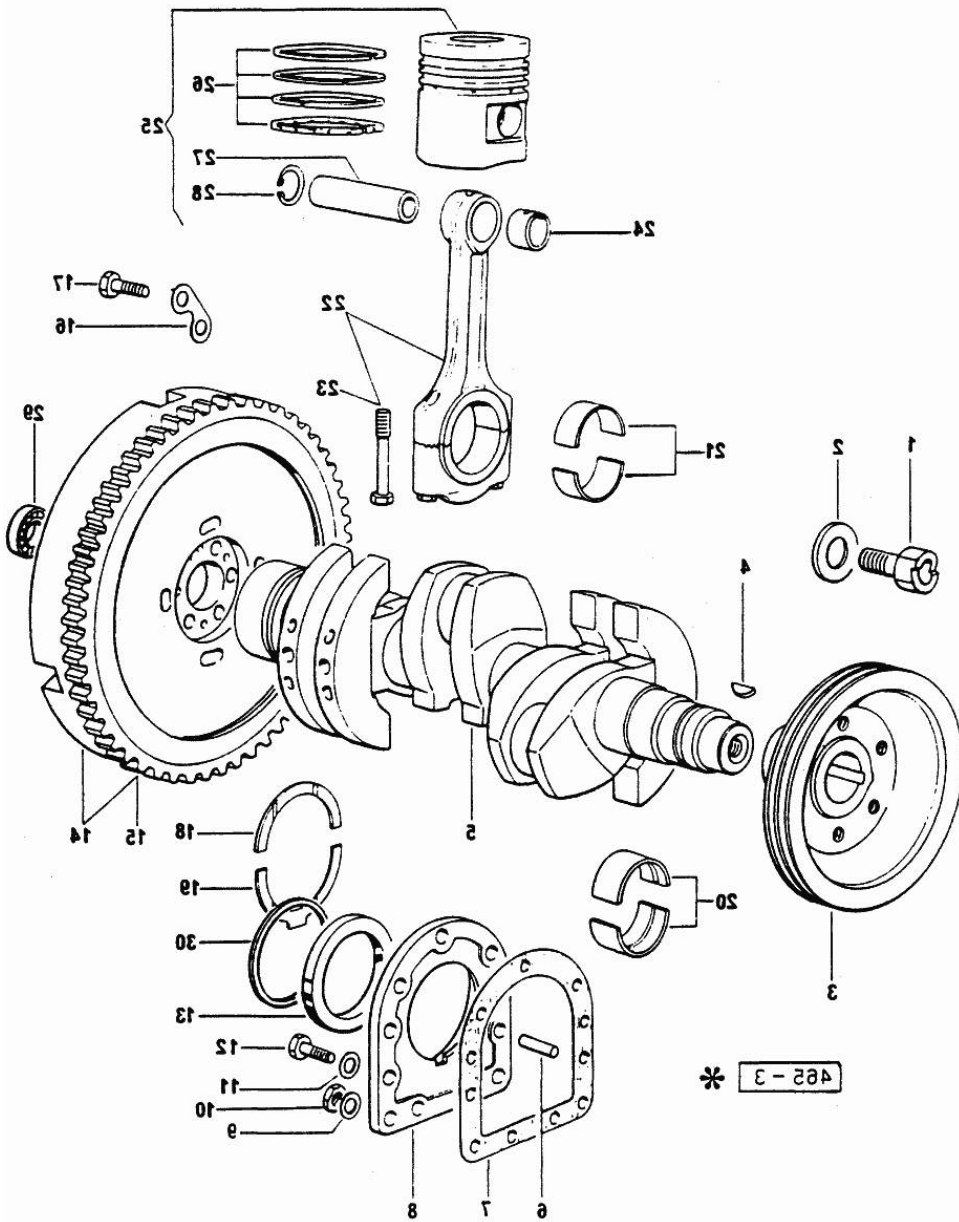
Fig.	P/n	QTY	Name
------	-----	-----	------

Notes:
[SOLAR 60 COMPACT HD]

1	2.0129.032.2	1	screw m 24 p.2x45
2	0.001.6020.0	1	shoulder
3	0.062.1250.0	1	pulley
4	2.1799.026.0	1	key 10x10
5	0.053.1210.4/10	1	crankshaft
6	2.1652.915.0	2	cylindrical plug 12x35
7	0.029.1250.0/10	1	gasket
8	0.045.1240.0	1	flange
9	2.1560.006.0	2	gasket 10.2 x 16
10	2.1011.421.2	2	nut m 10 p.1.25
11	2.1474.010.2	9	washer 10
12	2.0112.309.2	9	screw m 10 p.1.5 x 25
13	2.1529.045.0	1	oil seal
14	0.316.1241.3/20	1	flywheel
15	0.038.1242.0	1	crown wheel Z = 120, mm 15
16	2.1379.006.0	3	lock-tab 15x15x36,5
17	2.0122.517.7	6	screw m 14 p.1.5x45
18	0.001.4544.0		shoulder ring + mm 0.05
18	0.001.4545.0		shoulder ring + mm 0.10
18	0.001.4546.0		shoulder ring + mm 0.15
18	0.042.1218.0	2	shoulder ring STANDARD
19	0.001.4547.0		shoulder ring + mm 0.05
19	0.001.4548.0		shoulder ring + mm 0.10
19	0.001.4549.0		shoulder ring + mm 0.15
19	0.042.1219.0	2	shoulder ring STANDARD
20	0.073.1215.0	8	main half bushing STANDARD
20	0.073.1215.7		main half bushing - mm 0.25
20	0.073.1215.8		main half bushing - mm 0.50
20	0.073.1215.9		main half bushing - mm 0.75
21	0.039.0068.0		con.rod half bushing - mm 1.016
21	0.062.1225.0	6	con.rod half bushing STANDARD
21	0.062.1225.7		con.rod half bushing - mm 0.25
21	0.062.1225.8		con.rod half bushing - mm 0.50
21	0.062.1225.9		con.rod half bushing - mm 0.75
22	0.039.1220.3/30	3	engine connecting rod
23	0.039.1250.0	2	screw m 14 p.1.5x63
24	2.1559.114.0/10	1	special bushing
25	0.054.0060.6/10	3	complete piston STANDARD
25	0.054.0061.6/10		complete piston + mm 0.50
25	0.054.0062.6/10		complete piston + mm 1.0
26	0.073.0052.6	3	piston ring set

CRANKSHAFT

Fig.	P/n	QTY	Name
26	0.073.0053.6		piston ring set + mm 0.5
26	0.073.0054.6		piston ring set + mm 1.0
27	0.002.4167.0	3	piston pin
28	2.1411.014.1	6	circlip 35
29	2.2061.005.0	1	ball bearing iso 17 bc 03
30	2.1599.404.0	1	shoulder ring

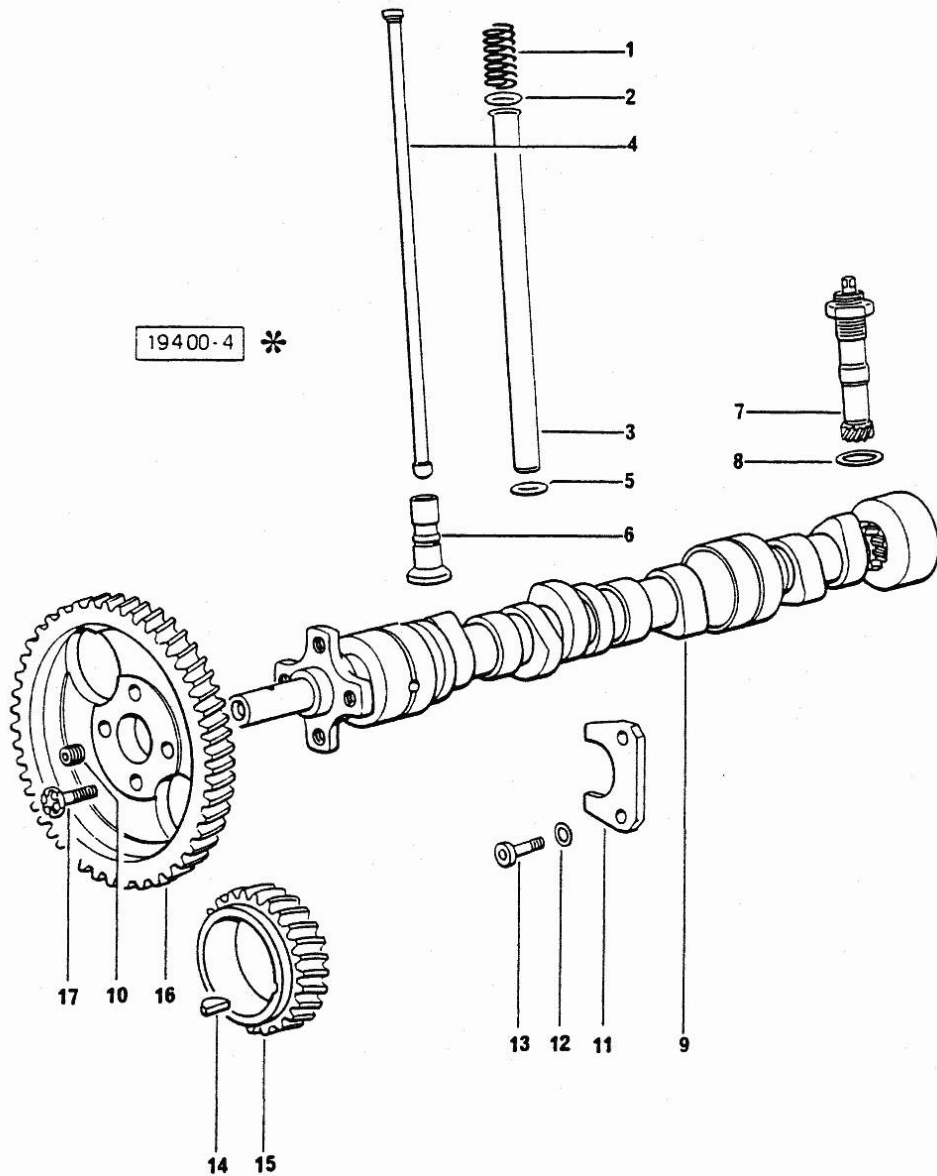


CAMSHAFT

Fig.	P/n	QTY	Name
------	-----	-----	------

Notes:
[SOLAR 60 COMPACT HD]

1	2.4019.162.1/20	14	spring 17.2x46x1.8
2	2.1539.022.0	6	special oil seal 12.37x2.62
3	0.041.1332.0	6	sleeve
4	0.041.1331.3	6	rod
5	2.1539.020.0	6	special oil seal 13.95x2.62
6	0.052.1330.0/20	6	tappets
7	0.041.1355.3	1	transmission
8	2.1560.013.0	1	gasket 18.2x22
9	0.054.1310.0/20	1	camshaft
10	2.3130.001.1	1	plug 1/8" gas
11	0.027.1314.0/10	1	plate
12	2.1470.004.2	2	lock washer 8
13	2.0112.207.2	2	screw m 8 p 1.25 x 20
14	2.1720.010.0	1	key 5x9
15	0.040.1320.0	1	gear z = 33
16	0.062.1321.0	1	gear z=66
17	2.0139.005.1	4	screw m 10 p.1 x 25



Section: ENGINE
CYLINDER HEAD

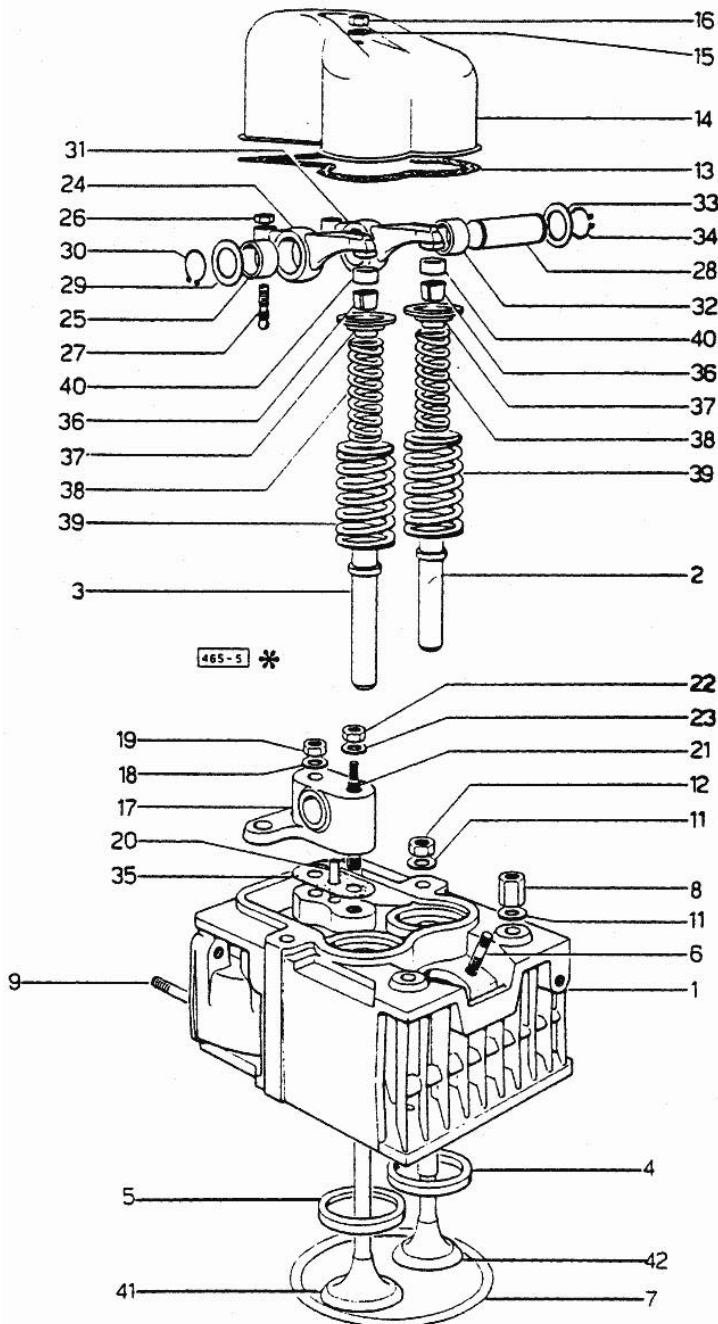


Fig.	P/n	QTY	Name
------	-----	-----	------

Notes:
[SOLAR 60 COMPACT HD]

0	0.073.0057.6	1	gasket set FOR GRINDING VALVES OF ONE CYLINDER AND PISTON RING RENEWAL
1	0.062.1410.3/10	3	engine head
2	0.062.1417.0/10	3	valve guide
3	0.062.1416.0/10	3	valve guide
4	0.062.1450.0/10	3	valve seat
5	0.062.1451.0/10	3	valve seat
6	2.0439.087.1/20	6	stud bolt m 8 p.1.25 / p.1 x 40
7	2.1569.078.0/10	3	gasket 106x118x0.5
8	2.1019.037.0	5	special nut m 12 p.1.5
9	2.0432.005.7	6	stud bolt m 8 p.1.5 / p.1 x 25
9	2.0432.007.7	3	stud bolt m 8 p.1.25 / p.1 x 30
9	2.0432.009.7	1	stud bolt m 8 p.1.25 / p.1 x 35
11	2.1599.144.7	12	shoulder ring 12.5x23x4
12	2.1019.025.0	7	special nut m 12 p.1.5
13	0.029.1450.0/10	3	gasket
14	0.039.1440.0	3	cap
15	2.1560.004.0	3	copper gasket 8.2 x 14
16	2.1099.056.2	3	special nut m 8 p.1 x 8
17	0.041.1430.0	3	support
18	2.1599.160.0	3	washer 10.5x19x4
19	2.1099.035.0	3	special nut m 10 p.1.25
20	0.029.1452.0	6	tube
21	0.039.1451.0	3	stud bolt
22	2.1011.421.2	3	nut m 10 p.1.25
23	2.1310.006.2	3	flat washer 10.5x21
24	0.002.4003.0	3	rocker arm
25	2.1559.021.0/40	3	bushing 15x19x22
26	2.1011.405.2	6	nut m 8 p.1
27	0.021.1434.0	6	screw
28	0.041.1431.0	3	pin
29	2.1599.019.0	3	shoulder ring 19.5x31x2
30	2.1410.055.1	3	circlip 19
31	0.002.4004.0/20	3	rocker arm
32	2.1559.021.0/40	3	bushing 15x19x22
33	2.1599.019.0	3	shoulder ring 19.5x31x2
34	2.1410.055.1	3	circlip 19
35	0.034.1450.0	3	tappet gasket
36	0.062.1423.0/10	6	conical valve cotter cup
37	0.062.1425.0	6	cup

Section: ENGINE
CYLINDER HEAD

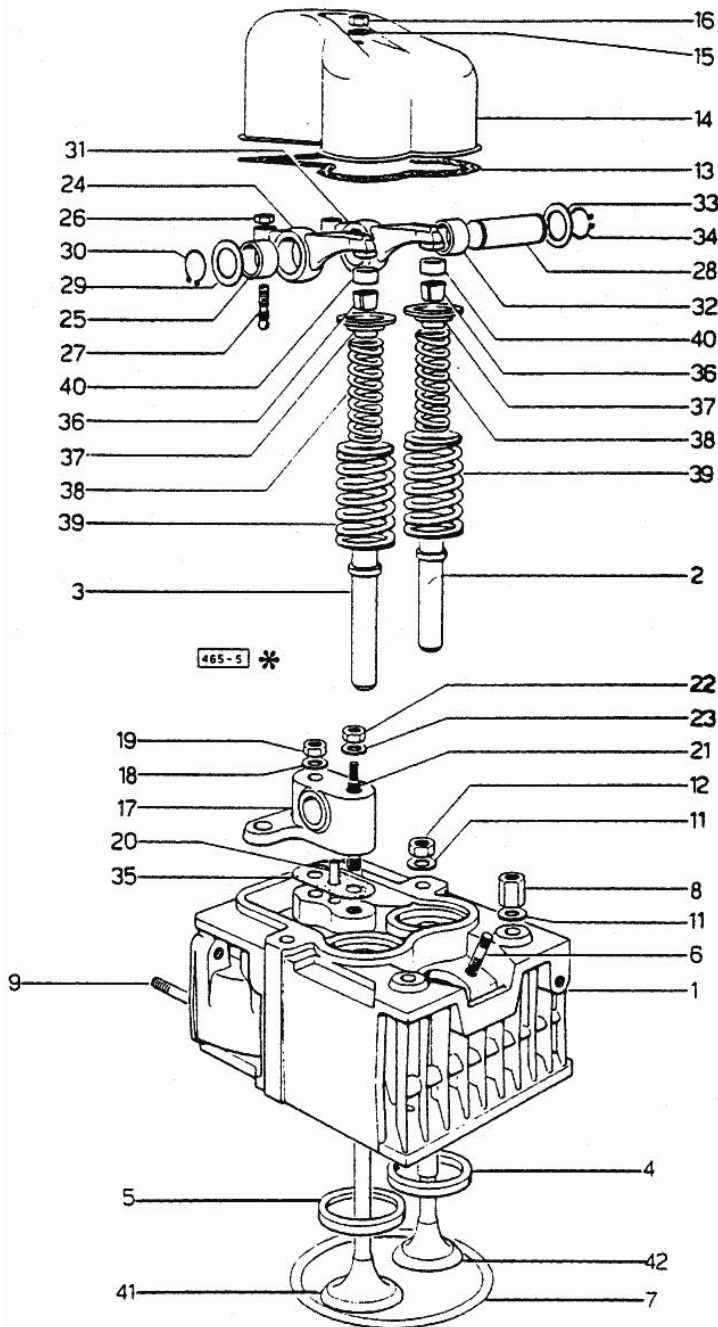


Fig.	P/n	QTY	Name
38	2.4019.194.0	6	spring 22.70x50.7x2.1
39	2.4019.193.0	6	spring 36.15x55.2x3.2
40	0.062.1452.0	6	small cover
41	0.042.1420.2	3	inlet valve Ø mm 8
42	0.071.1420.2	3	exhaust valve Ø mm 8

Section: ENGINE
LUBRICATION

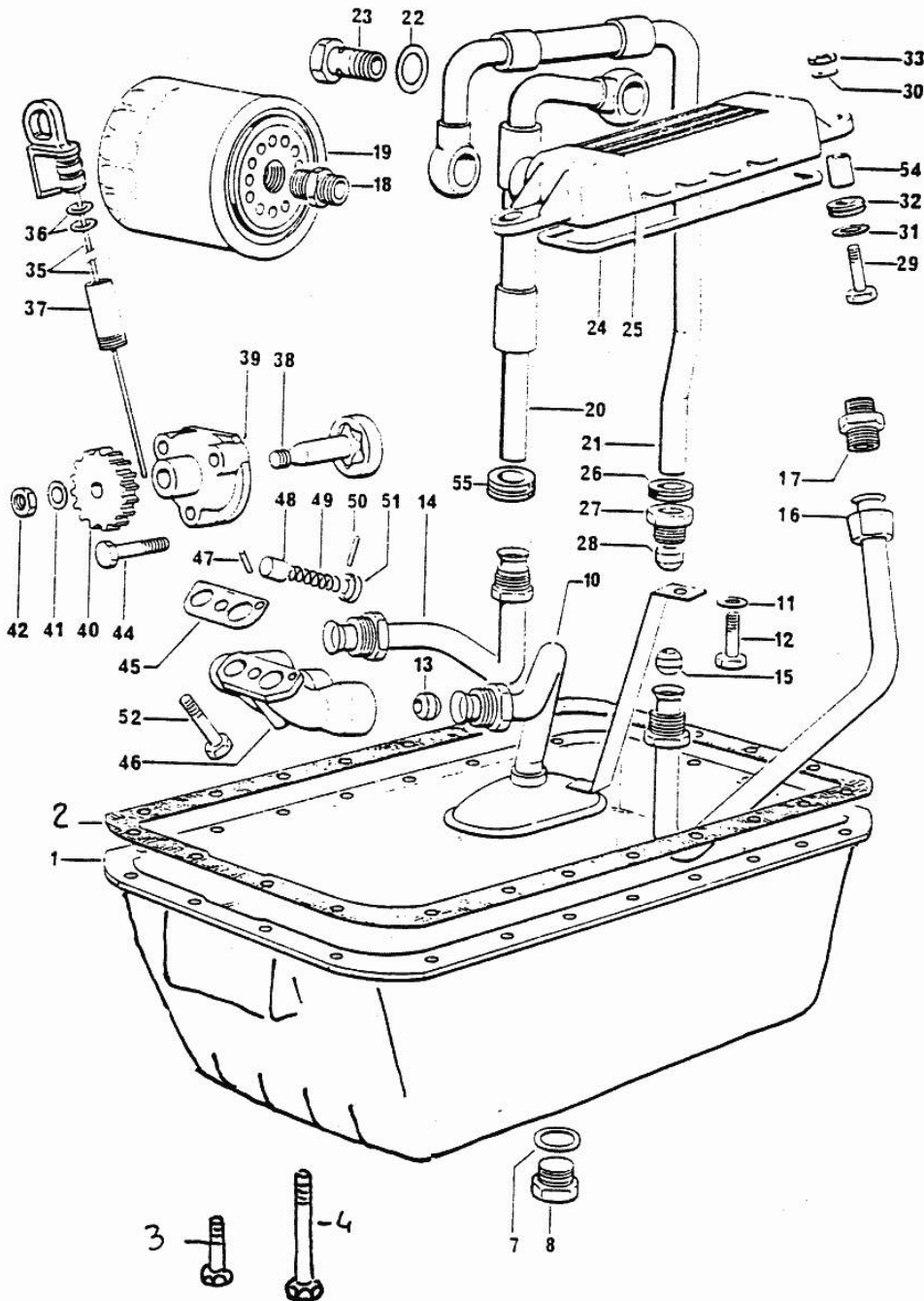


Fig.	P/n	QTY	Name
------	-----	-----	------

Notes:
[SOLAR 60 COMPACT HD]

1	0.038.1556.0	1	oil sump
2	0.038.1555.0	1	gasket
3	2.0112.222.2	2	screw m 8 p.1.25x65
4	2.0112.209.2	22	screw m 8 p 1.25 x 25
7	2.1560.054.0	1	gasket 21 x 26
8	2.3199.001.2	1	plug 1/2" gas
10	0.054.1563.3	1	tube
11	2.1310.004.2	1	flat washer 8.4x17
12	2.0112.204.2	1	screw m 8 p.1.25x14
13	2.3359.016.1	2	nosepiece
14	0.054.1542.2/10	1	tube
15	2.3359.015.1	2	nosepiece
16	0.044.1543.2/30	1	tube
17	2.3339.159.1/10	1	pipe fitting
18	2.3339.094.1/10	1	pipe fitting m 20 p.1.5-3/4 gas
19	0.053.1552.0	1	oil filter element
20	0.054.1551.2/10	1	tube
21	0.054.1552.2/20	1	tube
22	2.1560.018.0	4	gasket 22.2 x 29
23	2.3339.107.1	2	pipe union m 22
24	0.054.1541.0	1	gasket
25	0.054.1540.2/10	1	oil cooler
26	2.6560.013.0	1	wire guide 18x1.5
27	2.3339.167.2	2	pipe fitting
28	2.3359.012.0	2	nosepiece 10x16.8
29	2.0112.211.2	2	screw m 8 p.1.25 x 30
30	2.1310.004.2	2	flat washer 8.4x17
31	2.1312.004.2	4	washer 8x24x2
32	0.021.1560.0	4	rubber plug
33	2.1011.105.2	2	nut m 8 p.1.25
35	0.068.1513.2	1	dipstick
36	2.1539.065.0	2	special oil seal 8.73 x 1.78
37	0.044.1555.0	1	spacer
38	0.054.1524.3/10	1	rotor
39	0.054.1520.0	1	pump casing
40	0.054.1521.0	1	gear
41	2.1310.006.2	1	flat washer 10.5x21
42	2.1121.107.2	1	self-locking nut m 10 p 1.25
44	2.0112.215.2	3	screw m 8 p.1.25 x 40
45	0.054.1550.0	1	gasket
46	0.054.1530.0/20	1	tip

Section: ENGINE
LUBRICATION

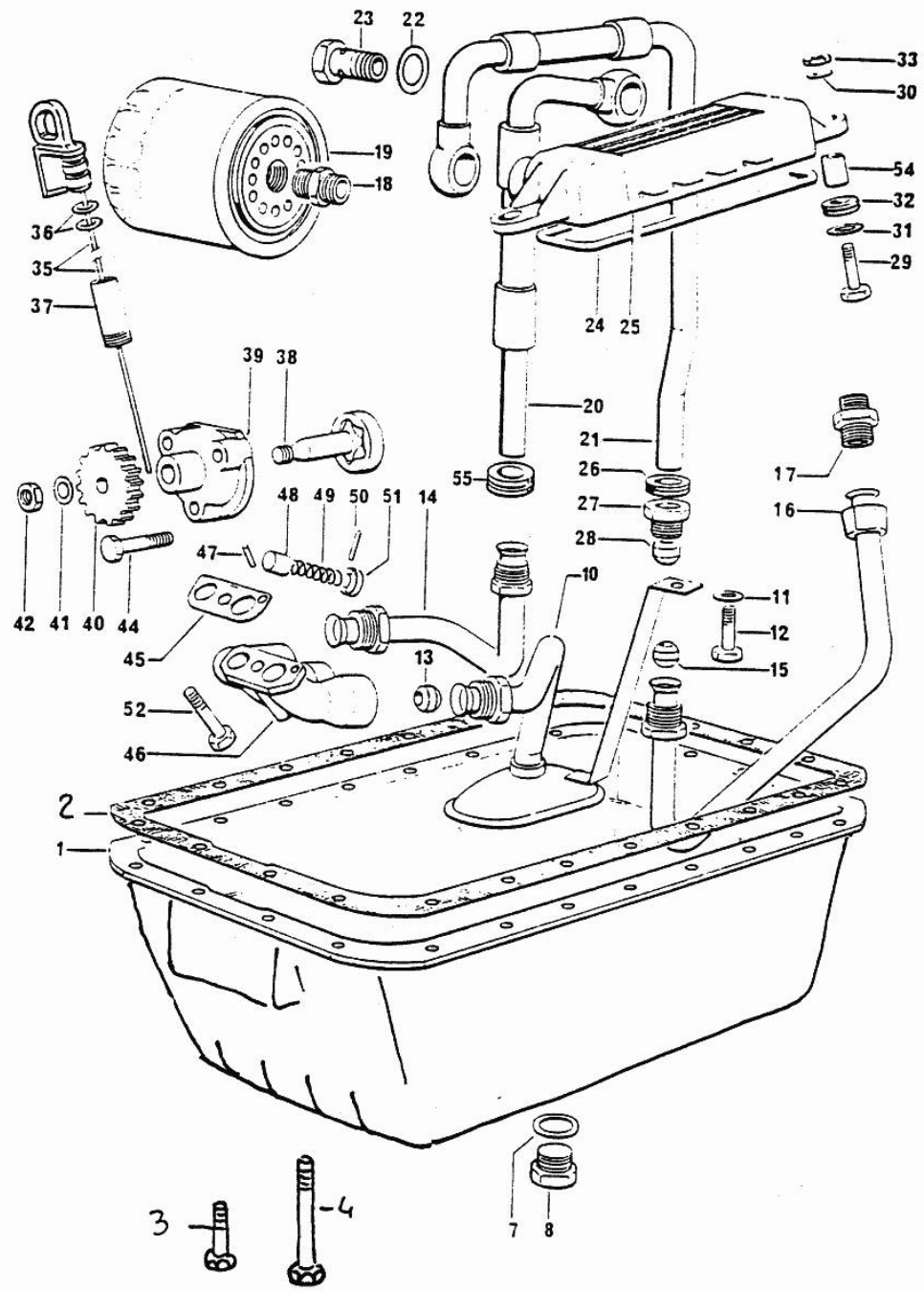


Fig.	P/n	QTY	Name
47	2.1651.305.0	1	pin 4 x 12
48	0.052.1571.0	1	small piston
49	2.4019.270.1	1	spring 9.7x54x2
50	2.1630.213.0	1	roll pin 3x32
51	0.054.1558.0/20	1	stop
52	2.0132.213.2	1	screw
54	0.427.6352.0	2	bushing 10x12x13
55	2.6560.022.0	1	wire guide 28x1.5

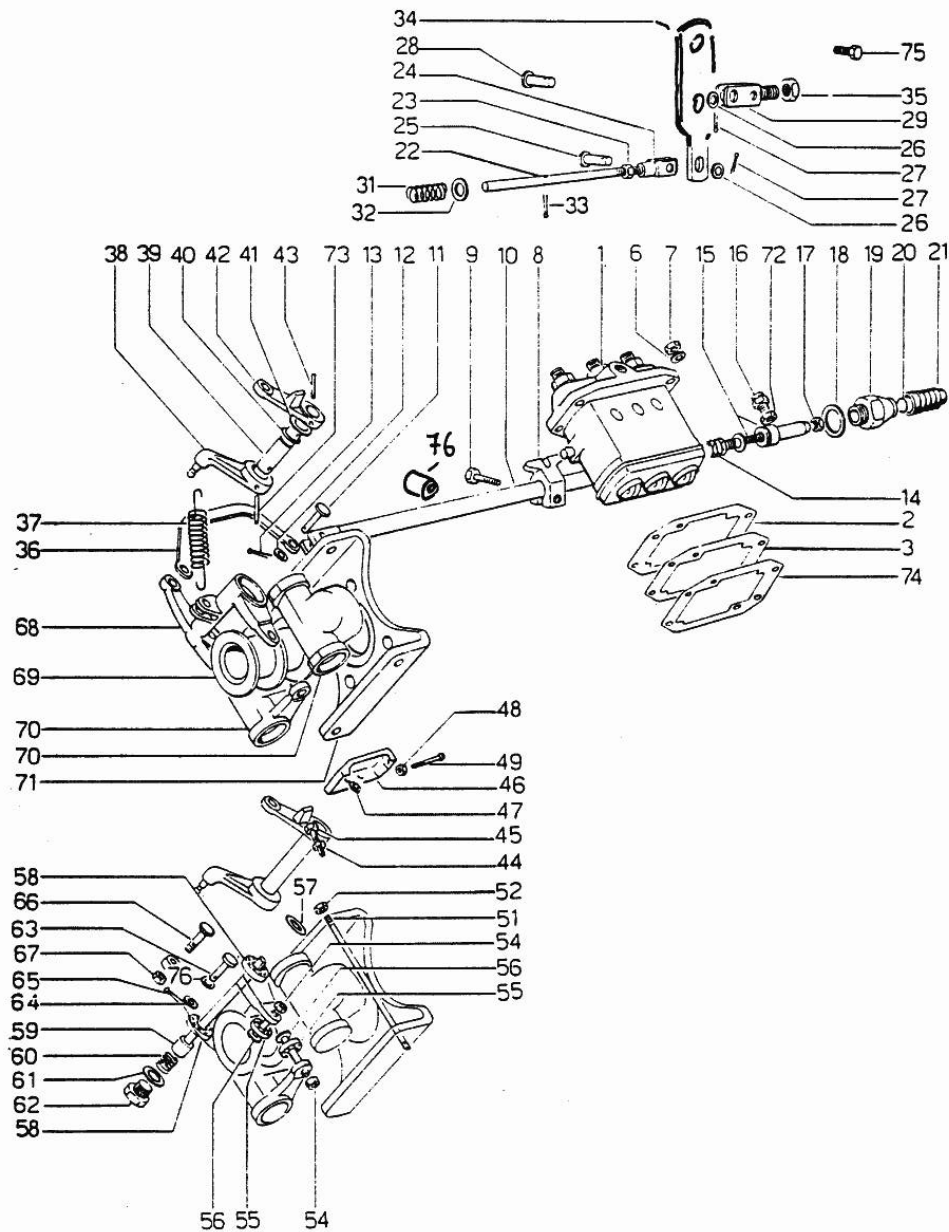
Section: ENGINE

FUEL SUPPLY SYSTEM

Fig.	P/n	QTY	Name
------	-----	-----	------

Notes:
[SOLAR 60 COMPACT HD]

1	2.4639.060.0/10	1	injector pump ☞ 2.4639.060.0/10 ☞ 01.00.19
2	0.041.1658.0	1	shim mm 0.20
2	0.041.1659.0	1	shim mm 0.1
3	0.041.1694.0	1	gasket mm 0.1
3	0.041.1695.0	1	gasket mm 0.20
6	2.1311.006.2	4	flat washer 8
7	2.1099.056.2	4	special nut m 8 p.1 x 8
8	0.046.1652.0	1	bracket
9	2.0112.013.2	1	screw m 6 p.1 x 35
10	0.044.1613.2	1	rod
11	2.1679.065.2	1	pin 6x18x15
12	2.1311.004.2	1	flat washer 6, d128
13	2.1690.206.2	1	split pin A2x15
14	2.4019.178.1/10	1	spring 14.6x34x0.8
15	0.062.1652.6	1	adapter
16	0.044.1669.3/20	1	adapter
17	2.1011.505.2	1	nut m 8 p.1
18	2.1560.019.0	1	copper gasket 24.3x30
19	0.041.1666.0/40	1	plug
20	2.1530.015.0	1	oil seal 8.30x2.40
21	0.000.5617.0	1	guard
22	0.054.1675.0/10	1	ferrule
23	2.1011.103.2	1	nut m 6 p.1
24	0.054.1653.0/10	1	fork
25	2.1670.002.2	1	pin 5x14x12
26	2.1310.002.2	2	flat washer 6.4x12.5
27	2.1690.206.2	1	split pin A2x15
28	2.1670.303.2	1	pin 8x18x15
29	0.054.1676.0	1	support
31	2.4019.232.1	1	spring
32	2.1310.004.2	1	flat washer 8.4x17
33	2.1690.206.2	1	split pin A2x15
34	0.068.1650.0	1	lever
35	2.1011.506.2	1	nut m 10 p.1
36	0.074.1622.0	1	rod
37	2.4049.095.1/10	1	spring
38	0.042.1621.0	1	lever
39	0.041.1655.0/10	1	pin
40	2.1530.016.0	1	oil seal 8.73 x 1.78



Thank you so much for reading.
Please click the “Buy Now!”
button below to download the
complete manual.



After you pay.

You can download the most
perfect and complete manual in
the world immediately.

Our support email:

ebooklibonline@outlook.com