

Section: ENGINE

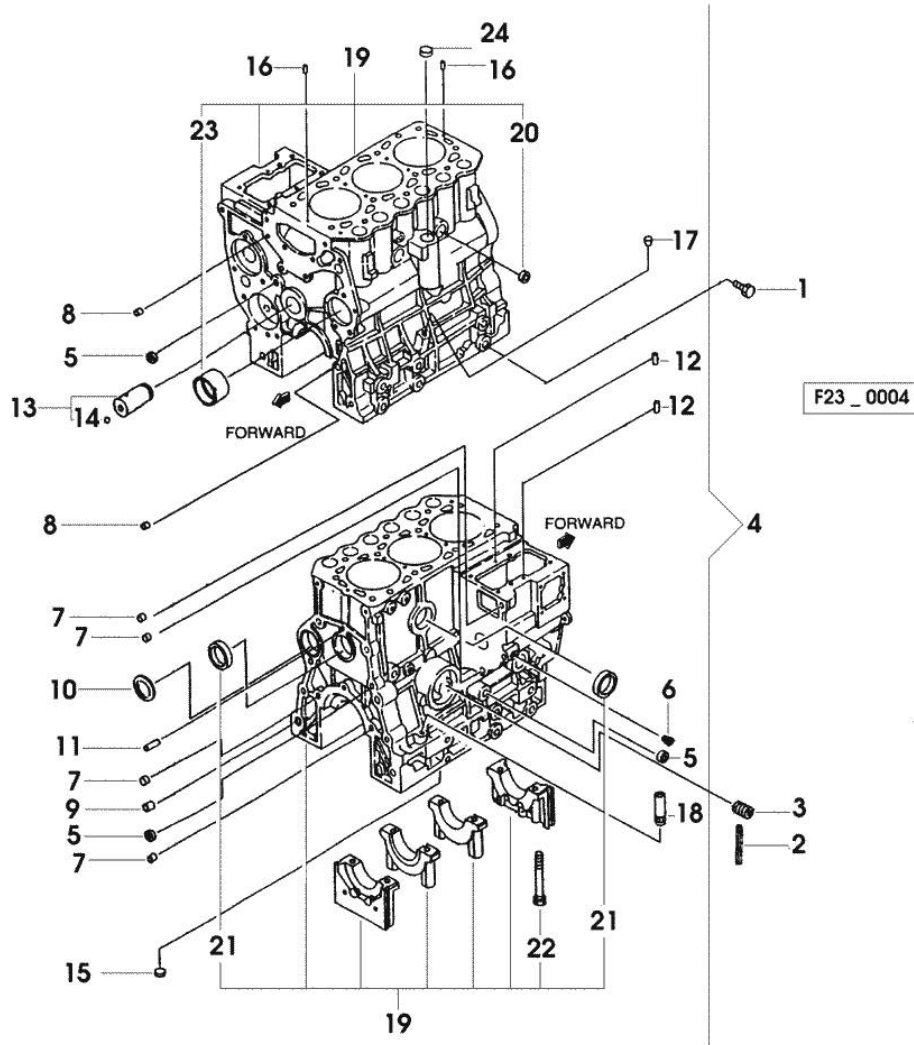
CRANKCASE

Fig.	P/n	QTY	Name
------	-----	-----	------

Notes:

[SOLARIS 25 ->5001]

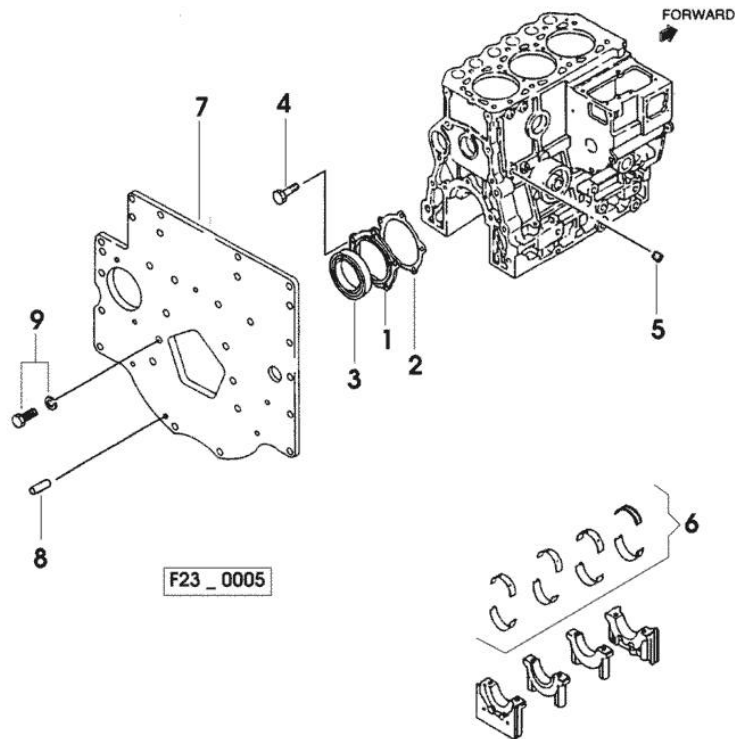
1	0.010.2648.1	4	screw
2	0.010.2651.2	4	gasket
3	0.010.2650.2	1	pipe fitting
4	0.010.2652.0	1	crankcase
5	0.010.2649.1	3	special bushing
6	0.009.4545.1	1	plug
7	0.009.4524.2	4	special bushing
8	0.009.4525.1	2	special bushing
9	0.009.4525.2	1	special bushing
10	0.009.4524.1	1	expansion plug
11	0.009.4524.0	1	pin
12	0.009.4523.0	2	pin
13	0.010.2650.0	1	pin
14	0.010.2650.1	1	ball
15	0.010.2649.0	1	plug
16	0.010.2651.0	2	pin
17	0.010.2651.1	1	plug
18	0.009.4523.2	1	guide
19	0.000.0000.1		cannot be supplied
20	0.010.2652.1	2	special bushing
21	0.010.2652.2	2	special bushing
22	0.010.2653.0	8	screw
23	0.010.2653.1	1	special bushing
24	0.010.2648.2	1	plug



Section: ENGINE
CRANKCASE

Fig.	P/n	QTY	Name
------	-----	-----	------

Notes:
 [SOLARIS 25 ->5001]



1	0.010.2654.2	1	flange
2	0.010.2655.0	1	gasket
3	0.010.2655.1	1	special oil seal
4	0.010.2655.2	5	screw
5	0.009.4530.0	1	plug
6	0.009.4754.0	1	main half bushing STANDARD
6	0.009.4754.1	1	main half bushing - mm 0.25
6	0.009.4754.2	1	main half bushing - mm 0.50
6	0.009.4754.3	1	main half bushing - mm 0.75
7	0.010.2656.0	1	flange
8	0.009.4532.2	1	pin
9	0.010.2656.1	6	screw

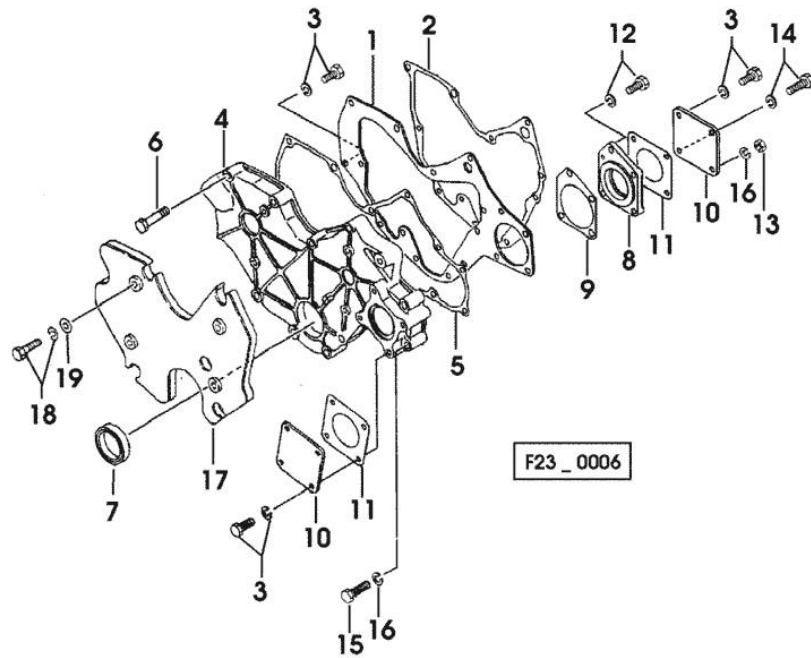
Section: ENGINE

TIMING CASE

Fig.	P/n	QTY	Name
------	-----	-----	------

Notes:

[SOLARIS 25 ->5001]



1	0.010.2658.0	1	plate
2	0.010.2658.1	1	gasket
3	0.010.2639.1	10	screw
4	0.010.2658.2	1	flange
5	0.010.2659.0	1	gasket
6	0.010.2659.1	8	screw
7	0.010.2659.2	1	special oil seal
8	0.010.2660.0	1	flange
9	0.010.2660.1	1	gasket
10	0.009.4756.0	2	cover
11	0.010.2660.2	2	gasket
12	0.010.2661.0	1	screw
13	0.010.2661.1	2	nut
14	0.010.2661.2	1	screw
15	0.010.2662.0	2	screw
16	0.009.4539.2	2	spring washer
17	0.010.2662.1	1	cover
18	0.010.2662.2	4	screw
19	0.010.2663.0	4	washer

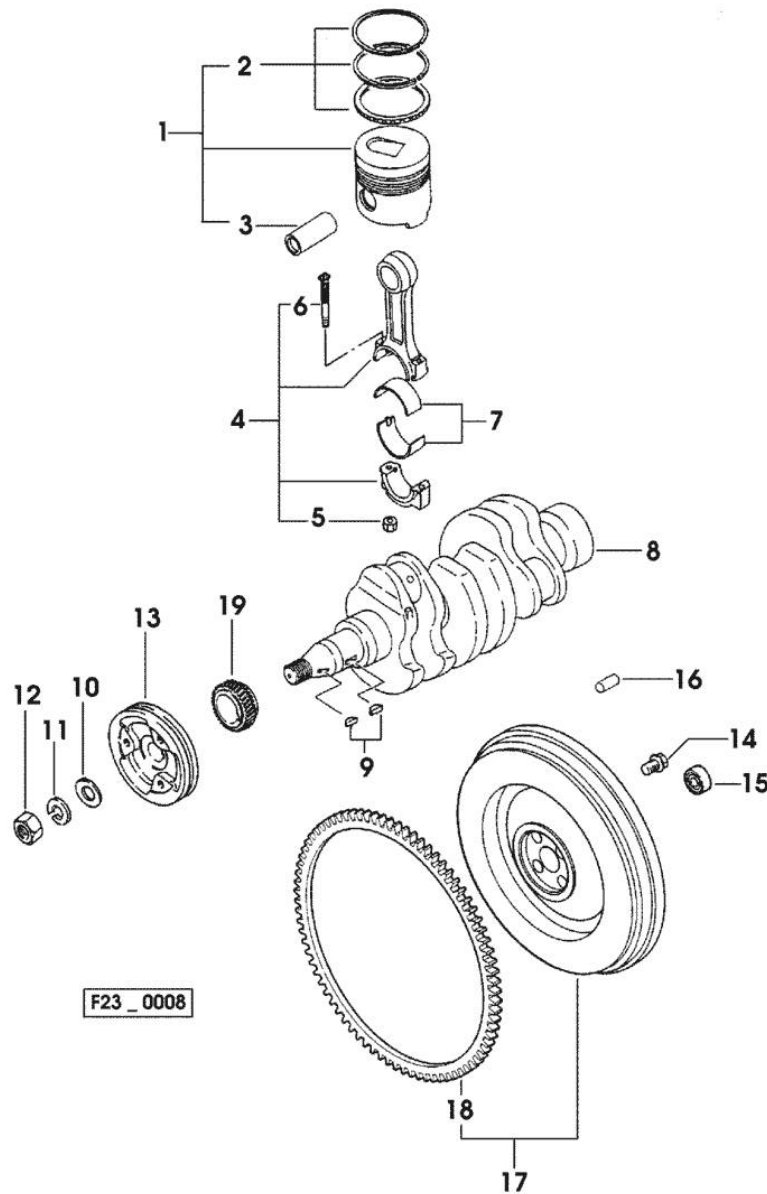
Section: ENGINE

CRANKSHAFT

Fig.	P/n	QTY	Name
------	-----	-----	------

Notes:

[SOLARIS 25 ->5001]



1	0.007.0060.6	3	complete piston STANDARD
1	0.007.0061.6	3	complete piston + mm 0.25
1	0.007.0062.6	3	complete piston + mm 0.50
2	0.008.0052.6	3	piston ring set STANDARD
2	0.008.0053.6	3	piston ring set + mm 0.25
2	0.008.0054.6	3	piston ring set + mm 0.50
3	0.010.2668.0	3	piston pin
4	0.010.2668.1	3	engine connecting rod
5	0.009.4783.0	6	nut
6	0.010.2668.2	6	screw
7	0.009.4782.1	3	con.rod half bushing STANDARD
7	0.010.2669.0	3	con.rod half bushing - mm 0.25
7	0.010.2669.1	3	con.rod half bushing - mm 0.50
7	0.010.2669.2	3	con.rod half bushing - mm 0.75
8	0.010.2670.0	1	crankshaft
9	0.009.4555.1	2	key
10	0.009.4554.2	1	flat washer
11	0.009.4555.0	1	spring washer
12	0.009.4554.1	1	nut
13	0.010.2670.1	1	pulley
14	0.009.4557.0	4	screw
15	0.009.4556.1	1	special bearing
16	0.009.4556.2	3	pin
17	0.010.2670.2	1	flywheel
18	0.010.2671.0	1	crown wheel Z=110
19	0.010.2671.1	1	gear

Section: ENGINE

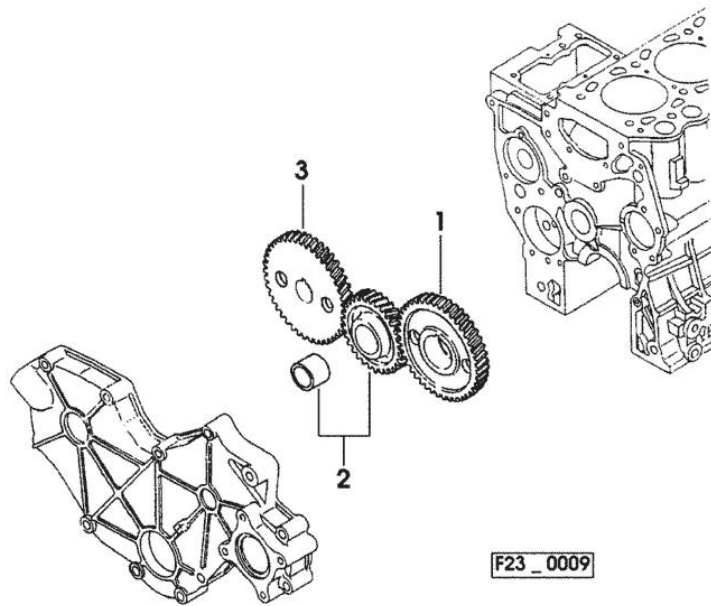
CAMSHAFT

Fig.	P/n	QTY	Name
------	-----	-----	------

Notes:

[SOLARIS 25 ->5001]

1	0.010.2674.1	1	gear Z = 56
2	0.010.2674.2	1	gear Z = 56
2	0.010.2675.0	1	gear Z = 56 - EXPORT U.S.A.
3	0.010.2675.1	1	gear Z = 39



Section: ENGINE

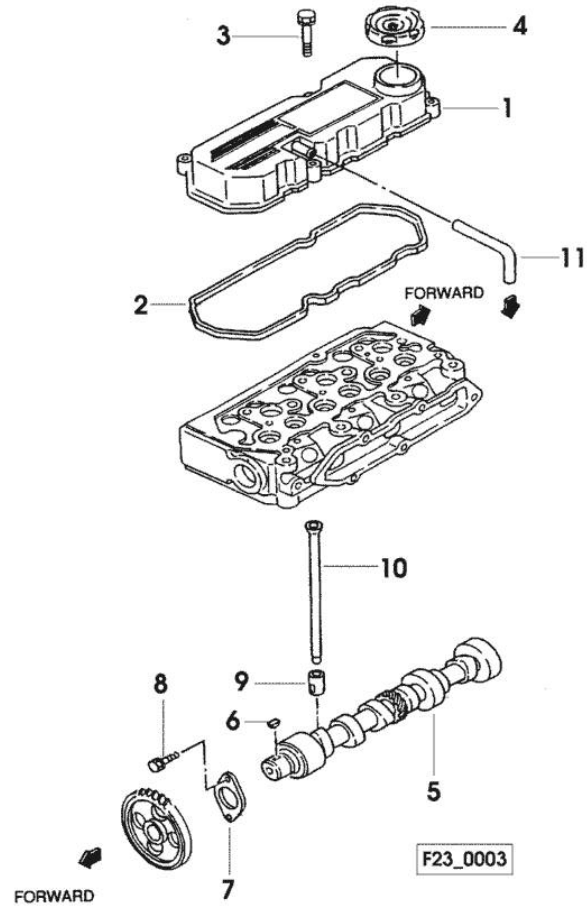
CAMSHAFT

Fig.	P/n	QTY	Name
------	-----	-----	------

Notes:

[SOLARIS 25 ->5001]

1	0.010.2644.2	1	cover
2	0.010.2645.1	1	gasket
3	0.010.2645.2	4	screw
4	0.009.4548.0	1	plug
5	0.010.2646.0	1	camshaft
6	0.009.4555.1	1	key
7	0.010.2646.1	1	small plate
8	0.010.2639.1	2	screw
9	0.009.4562.2	6	tappets
10	0.010.2646.2	6	rod
11	0.010.2647.0	1	tube

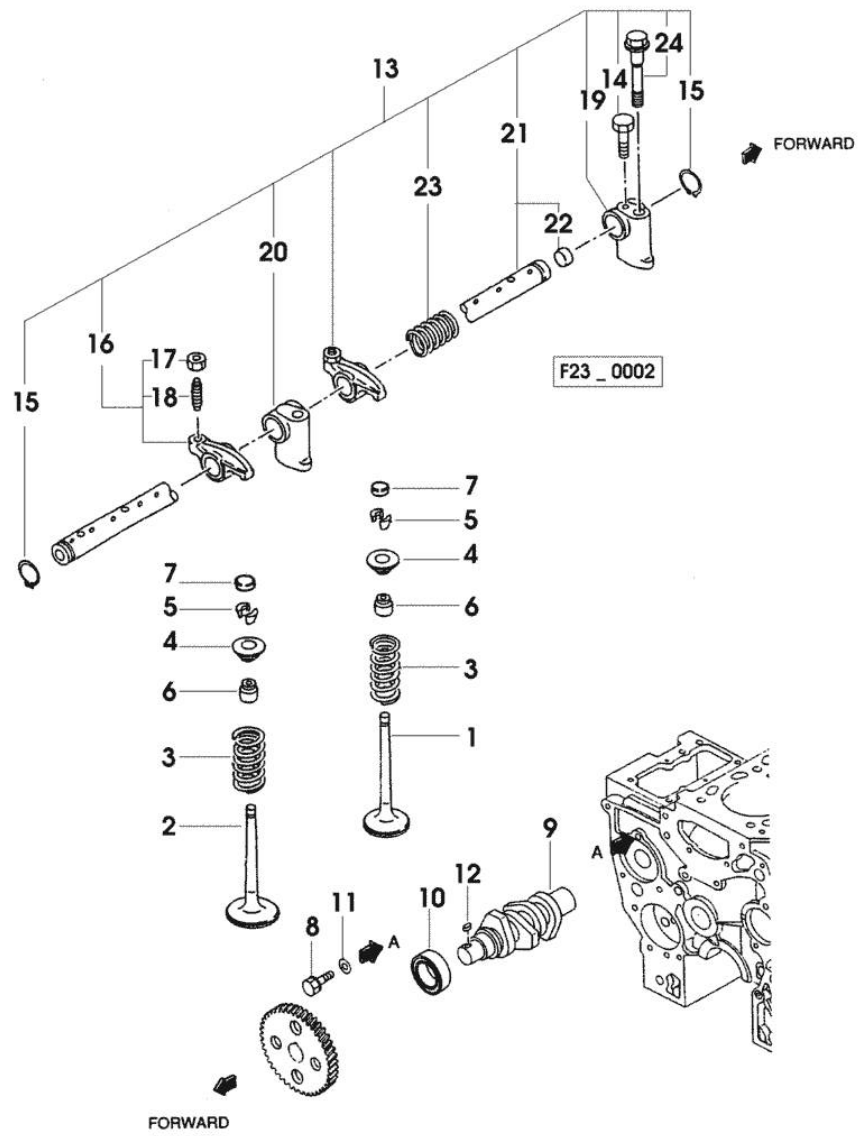


Section: ENGINE
CYLINDER HEAD

Fig.	P/n	QTY	Name
------	-----	-----	------

Notes:
[SOLARIS 25 ->5001]

1	0.010.2637.2	3	inlet valve Ø mm 6.5
2	0.010.2638.0	3	exhaust valve Ø mm 6.5
3	0.010.2638.1	6	spring
4	0.010.2638.2	6	cup
5	0.009.4561.2	12	stop
6	0.009.4562.0	6	gasket
7	0.010.2639.0	6	cap
8	0.010.2639.1	1	screw
9	0.010.2639.2	1	camshaft
10	0.009.4567.0	1	special bearing
11	0.009.4566.0	1	washer
12	0.009.4567.2	1	stick
13	0.010.2640.0	1	shaft
14	0.010.2640.1	1	screw
15	0.009.4559.0	2	ring
16	0.010.2640.2	6	rocker arm
17	0.010.2641.0	6	nut
18	0.010.2641.2	6	screw
19	0.010.2642.0	1	support
20	0.010.2642.1	2	support
21	0.010.2642.2	1	shaft
22	0.010.2643.0	2	plug
23	0.010.2643.1	2	spring
24	0.010.2643.2	3	screw

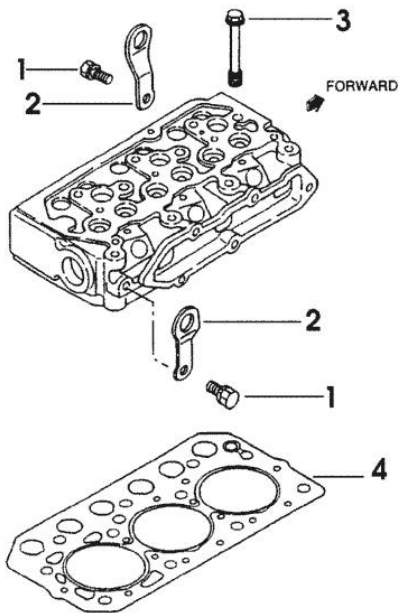
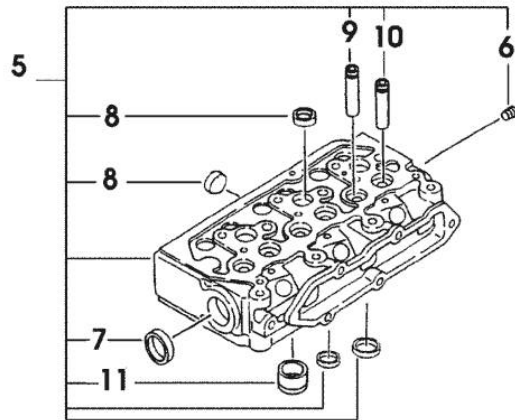


Section: ENGINE
CYLINDER HEAD

Fig.	P/n	QTY	Name
------	-----	-----	------

Notes:
 [SOLARIS 25 ->5001]

1	0.010.2633.0	2	screw
2	0.009.4541.2	2	bracket
3	0.010.2633.1	11	screw
4	0.010.2633.2	1	gasket
5	0.010.2634.0	1	engine head
6	0.009.4545.1	1	plug
7	0.010.2634.1	1	plug
8	0.009.4527.0	5	plug
9	0.010.2634.2	3	valve guide
10	0.010.2635.0	3	valve guide
11	0.010.2635.1	3	special bushing



F23_0001

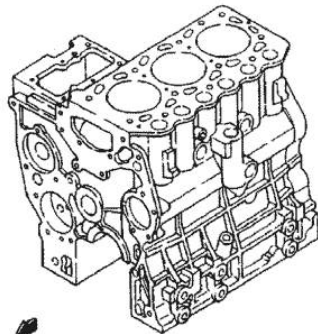
OIL PAN

Fig.	P/n	QTY	Name
------	-----	-----	------

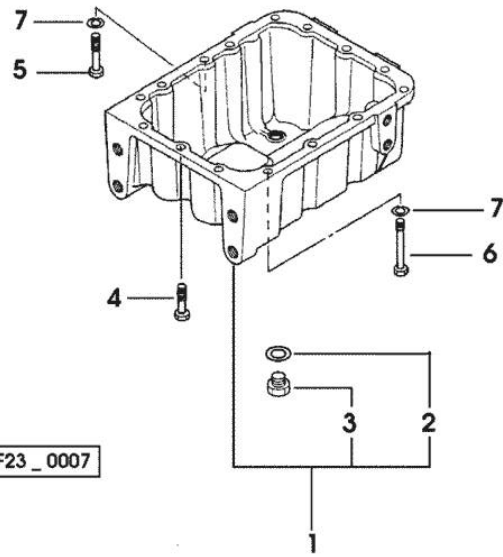
Notes:

[SOLARIS 25 ->5001]

1	0.010.2663.1	1	oil sump
2	0.010.2663.2	1	gasket
3	0.010.2664.0	1	plug
4	0.010.2664.1	10	screw
5	0.010.2664.2	1	screw
6	0.010.2665.0	4	screw
7	0.010.2665.1	5	washer



FORWARD

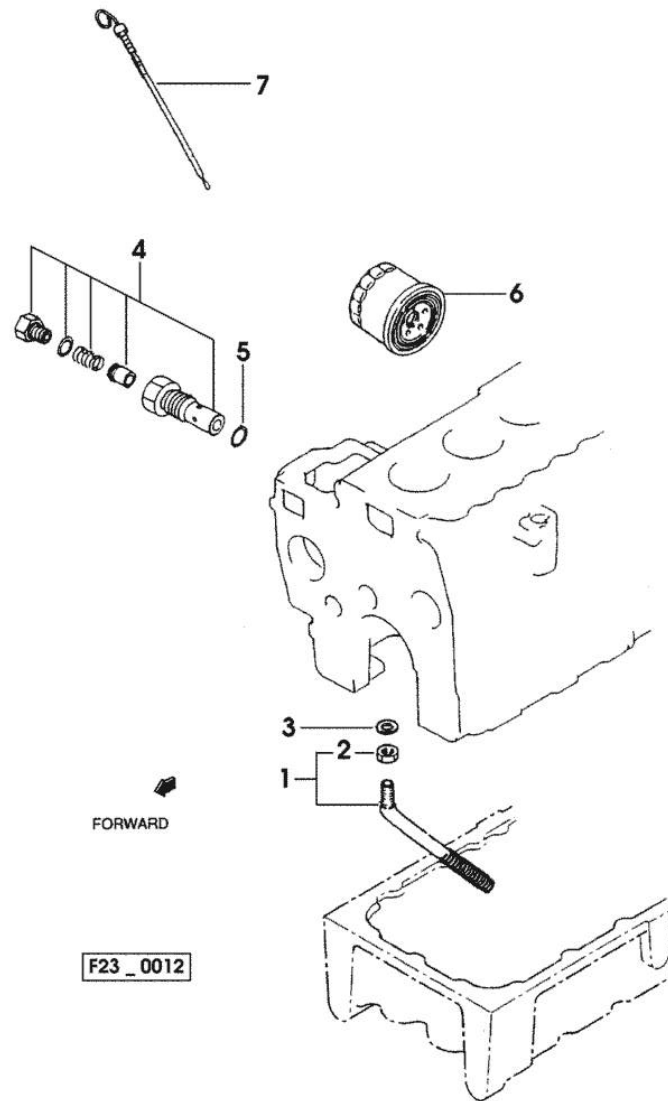


Section: ENGINE
LUBRICATION

Fig.	P/n	QTY	Name
------	-----	-----	------

Notes:
 [SOLARIS 25 ->5001]

1	0.010.2685.2	1	tube
2	0.009.4634.0	1	self-locking nut
3	0.009.4634.1	1	gasket
4	0.010.2686.0	1	valve
5	0.010.2686.1	1	gasket
6	0.009.4794.1	1	oil filter element - X 25HP - 35HP
6	0.010.2687.0	1	oil filter element - X 45HP
7	0.010.2687.1	1	dipstick



Section: ENGINE

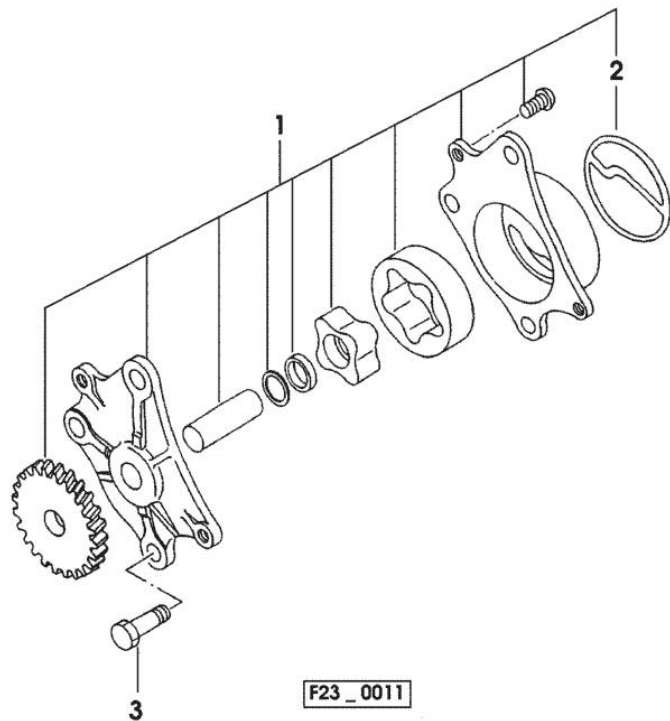
LUBRICATION

Fig.	P/n	QTY	Name
------	-----	-----	------

Notes:

[SOLARIS 25 ->5001]

1	0.010.2684.2	1	oil pump
2	0.010.2685.0	1	gasket
3	0.010.2685.1	3	screw



Section: ENGINE

FUEL SUPPLY SYSTEM

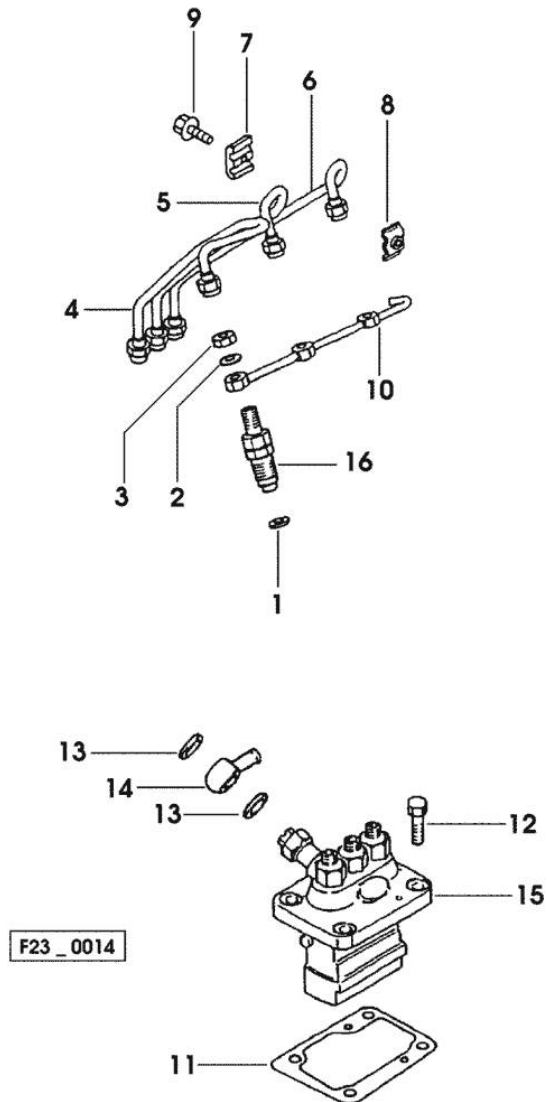


Fig.	P/n	QTY	Name
------	-----	-----	------

Notes:
[SOLARIS 25 ->5001]

1	0.010.2699.1	3	gasket
2	0.010.2699.2	3	gasket
3	0.010.2700.0	3	nut
4	0.010.2700.1	1	tube
5	0.010.2700.2	1	tube
6	0.010.2701.0	1	tube
7	0.009.4570.2	2	clamp
8	0.009.4571.0	2	clamp
9	0.010.2701.1	2	screw
10	0.010.2701.2	1	tube
11	0.009.4763.0		shim mm 0.20
11	0.009.4763.1		shim mm 0.3
11	0.009.4763.2		shim mm 0.4
11	0.009.4764.0		shim mm 0.50
11	0.009.4764.1		shim mm 0.6
11	0.009.4764.2		shim mm 0.7
11	0.009.4765.0		shim mm 0.8
11	0.009.4765.1		shim mm 0.9
11	0.009.4765.2		shim mm 1.0
12	0.010.2655.2	4	screw
13	0.009.4762.1	2	gasket
14	0.009.4774.1	1	pipe fitting
15	0.010.2702.0		injector pump F 25
16	0.010.2702.1		injector assembly F 23

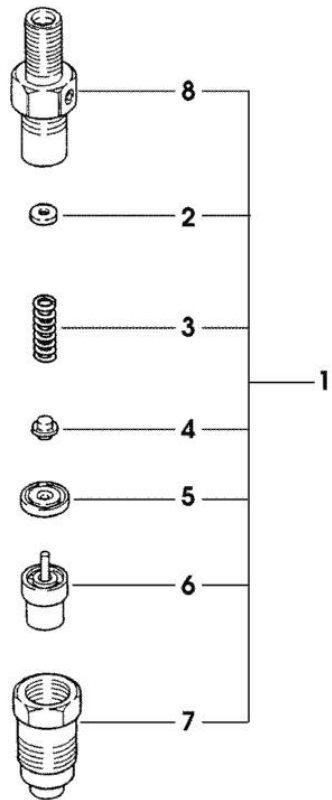
INJECTOR NOZZLE HOLDER COMPONENTS

Fig.	P/n	QTY	Name
------	-----	-----	------

Notes:

[SOLARIS 25 ->5001]

1	0.010.2702.1	3	injector assembly
2	0.010.2706.2		shim mm 1.25
2	0.010.2707.0		shim mm 1.3
2	0.010.2707.1		shim mm 1.35
2	0.010.2707.2		shim mm 1.4
2	0.010.2708.0		shim mm 1.45
2	0.010.2708.1		shim mm 1.5
2	0.010.2708.2		shim mm 1.55
2	0.010.2709.0		shim mm 1.6
2	0.010.2709.1		shim mm 1.65
2	0.010.2709.2		shim mm 1.7
3	0.010.2710.0	3	spring
4	0.010.2710.1	3	cap-washer
5	0.010.2710.2	3	cap-washer
6	0.010.2711.0	3	nozzle
7	0.010.2711.1	3	nut
8	0.010.2711.2	3	body



F23_0015

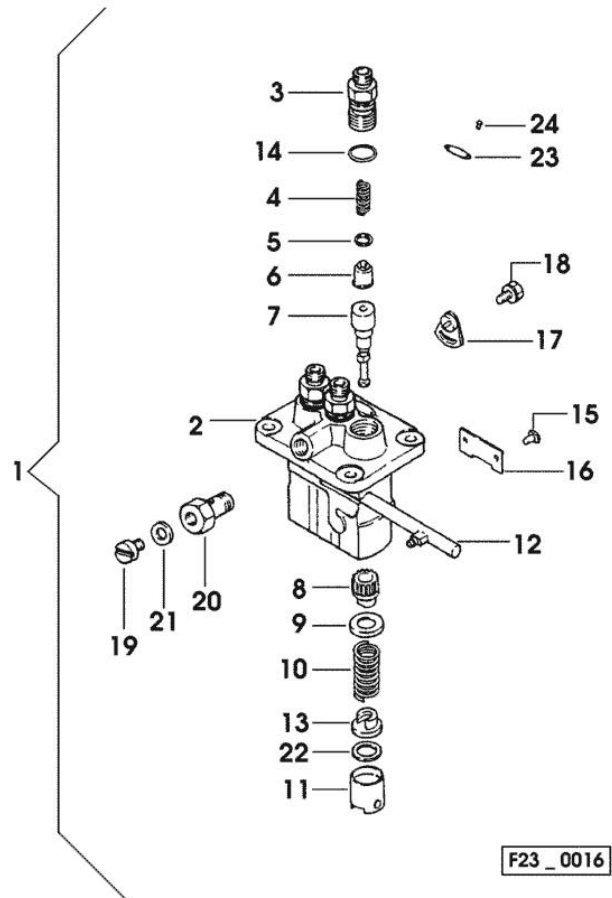
Section: ENGINE

INJECTION PUMP PARTS

Fig.	P/n	QTY	Name
------	-----	-----	------

Notes:

[SOLARIS 25 ->5001]



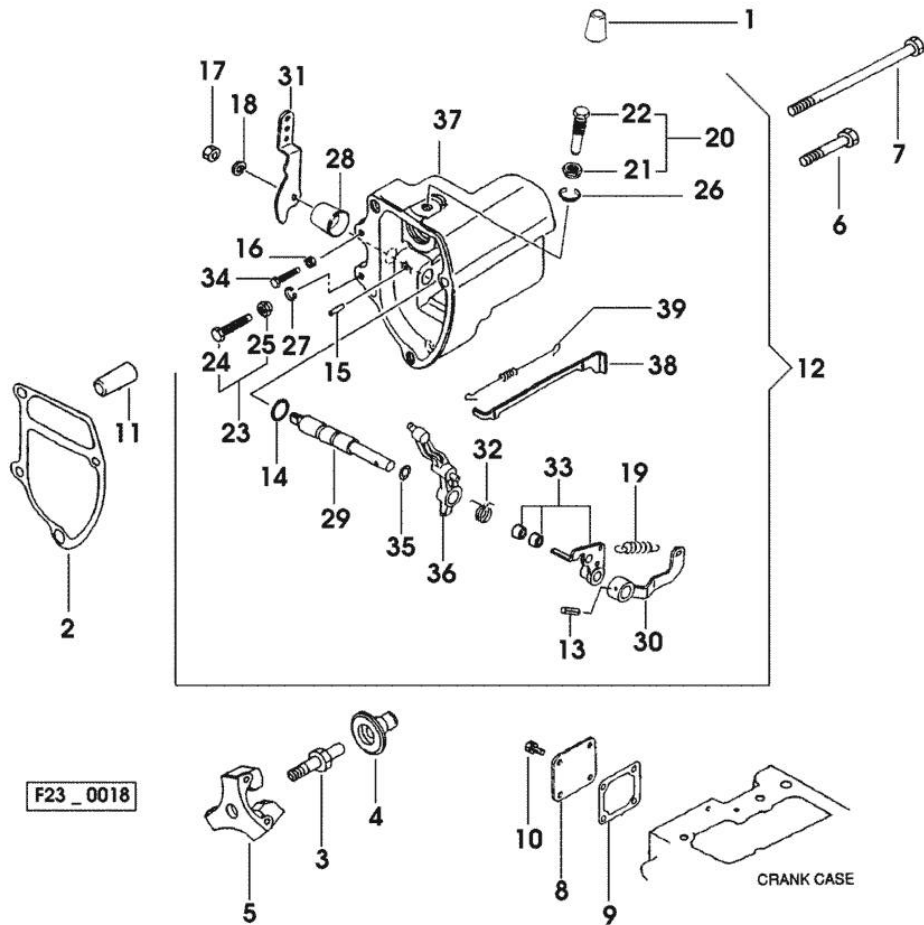
1	0.010.2702.0	1	injector pump
2	0.000.0000.1		cannot be supplied
3	0.010.2712.0	3	pipe fitting
4	0.010.2712.1	3	spring
5	0.009.4581.2	3	gasket
6	0.010.2712.2	3	valve
7	0.010.2713.0	3	pumping element
8	0.009.4582.2	3	sleeve
9	0.009.4583.0	3	valve seat
10	0.010.2713.1	3	spring
11	0.009.4583.2	3	tappets
12	0.009.4767.1	1	ratchet
13	0.009.4584.1	3	valve seat
14	0.009.4584.2	3	ring
15	0.009.4585.0	3	pin
16	0.009.4767.2	1	small plate
17	0.009.4585.2	2	small plate
18	0.009.4586.0	2	screw
19	0.010.2713.2	1	screw
20	0.009.4768.0	1	pipe fitting
21	0.010.2714.0	1	washer
22	0.000.0000.1		cannot be supplied
23	0.010.2714.1	1	plate
24	0.009.4599.2	2	rivet

Section: ENGINE
CONTROLLER

Fig.	P/n	QTY	Name
------	-----	-----	------

Notes:
 - EXPORT U.S.A. [SOLARIS 25 ->5001]

1	0.010.2752.0	1	cap
2	0.010.2716.1	1	gasket
3	0.010.2716.2	1	pin
4	0.010.2717.0	1	mass
5	0.010.2717.1	1	support
6	0.010.2659.1	3	screw
7	0.010.2718.1	1	screw
8	0.010.2718.2	1	cover
9	0.009.4620.0	1	gasket
10	0.010.2682.1	4	screw
11	0.010.2728.0	1	cap
12	0.010.2728.1	1	regulator - X 25HP
12	0.010.2728.2	1	regulator - X 35HP
12	0.010.2729.0	1	regulator - X 45HP
13	0.010.2719.1	1	pin
14	0.010.2719.2	1	special oil seal
15	0.009.4622.0	1	pin
16	0.009.4624.0	1	nut
17	0.009.4624.1	1	self-locking nut
18	0.009.4539.2	1	spring washer
19	0.010.2720.1	1	spring - X 25HP
19	0.010.2727.0	1	spring - X 35HP
19	0.010.2727.1	1	spring - X 45HP
20	0.010.2720.2	1	screw
21	0.010.2721.0	1	nut
22	0.010.2721.1	1	screw
23	0.010.2729.1	1	bolt with nut
24	0.010.2729.2	1	screw
25	0.010.2730.0	1	nut
26	0.010.2730.1	1	ring
27	0.010.2730.2	1	ring
28	0.010.2721.2	1	cover
29	0.010.2722.0	1	shaft
30	0.010.2722.1	1	lever
31	0.010.2722.2	1	lever



Thank you so much for reading.
Please click the “Buy Now!”
button below to download the
complete manual.



After you pay.

You can download the most
perfect and complete manual in
the world immediately.

Our support email:

ebooklibonline@outlook.com