

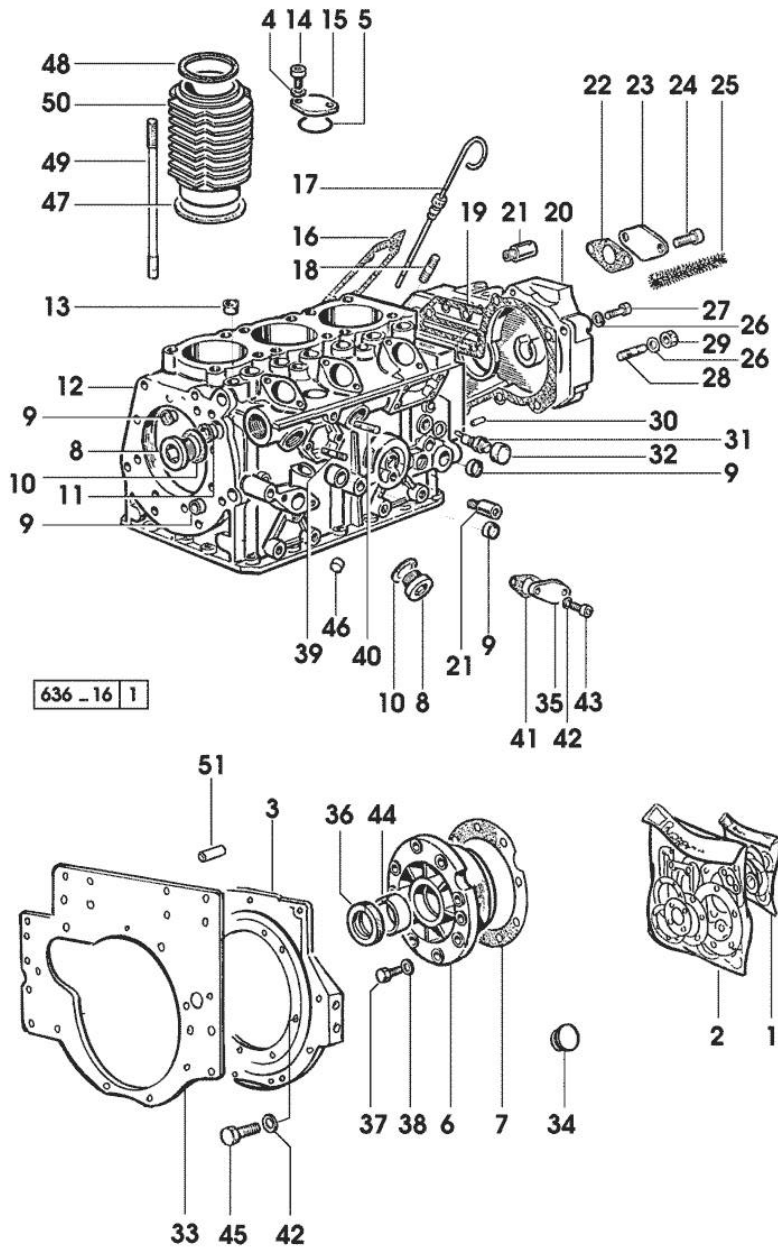
Section: ENGINE

CRANKCASE

Fig.	P/n	QTY	Name
------	-----	-----	------

Notes:
[SOLARIS 35 WIND]

1	0.308.0057.6	1	gasket set FOR VALVE GRINDING AND PISTON RING RENEWAL (3 CYLINDERS)
2	0.308.0050.6	1	gasket set - FOR ENGINE MOUNTING
3	0.008.7965.0/40	1	flange * (...) <- - N.2 - 2.1651.707.0
4	2.1310.002.2	1	flat washer 6.4x12.5
5	2.1531.088.0	1	oil seal 33.05x1.78
6	0.009.5050.0	1	support
7	0.009.5023.1	1	gasket mm 0.50
8	0.009.5052.0	3	plug m.30x1.5
9	0.009.5074.2	4	expansion plug 16
10	2.1560.023.0	3	copper gasket 30.3 x 36
11	0.009.5074.0	2	expansion plug 25
12	0.007.1653.0/30	1	crankcase * (...) <- - N.2 - 2.1651.707.0
13	0.009.5075.0	3	expansion plug 8
14	2.0312.102.2	2	screw m 6 p.1 x 12
15	0.009.5019.1	1	flange
16	0.009.5025.2	2	gasket
17	0.009.5005.0	1	dipstick
18	2.0422.202.1	6	stud bolt m 8 x 18
19	0.009.5024.1	1	gasket
20	0.009.6110.0	1	guard
21	0.009.5055.1	2	valve
22	0.009.5020.2	1	gasket
23	0.009.5010.0	1	small cover
24	2.0312.003.1	2	screw m 5 p.0.8 x 14
25	0.009.5038.0	1	guard
26	2.1481.007.1	9	washer 8
27	2.0312.214.1	6	screw m 8 p.1.25 x 40
28	0.009.5083.0	1	stud bolt m 8x38
29	0.009.5017.1	1	special nut m 8
30	0.009.5072.0	1	cylindrical plug 8x16
31	0.009.5044.0	1	register
32	0.009.5051.1	1	cap nut
33	0.008.7964.0/10	1	plate
34	0.009.5073.1	1	plug 24



Section: ENGINE

CRANKCASE

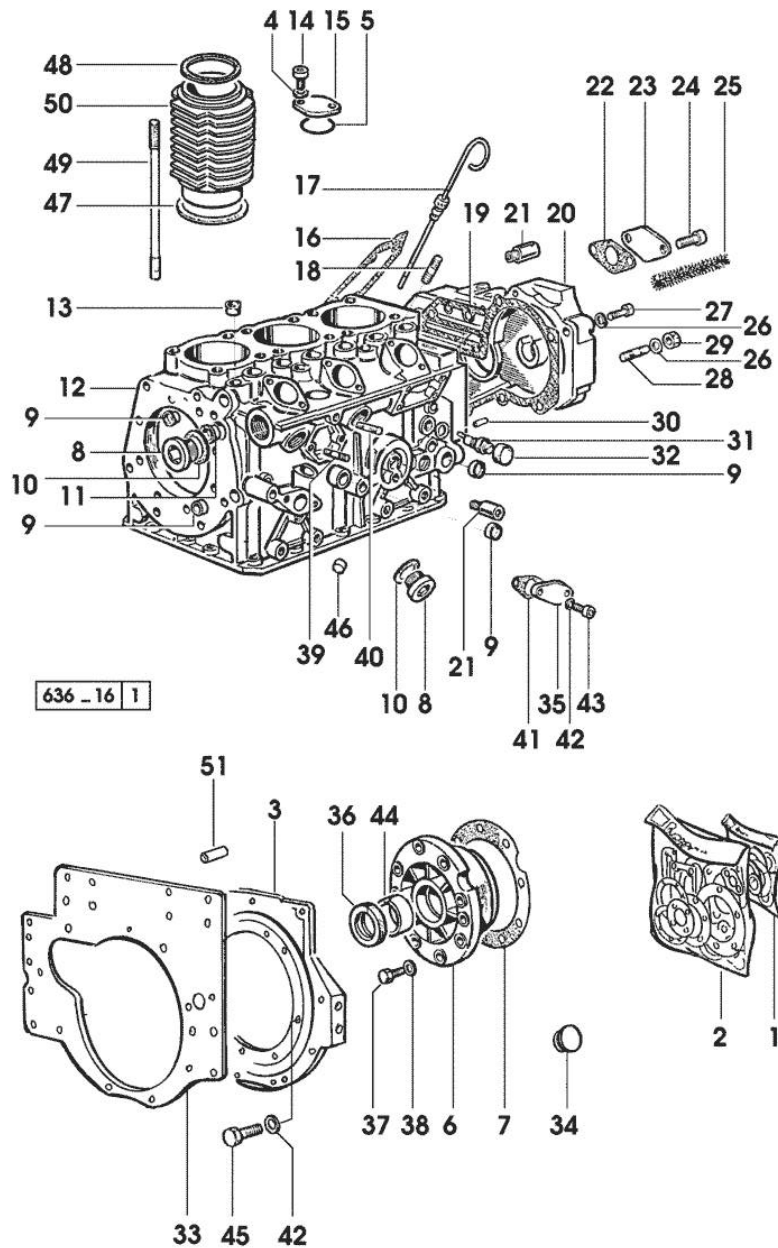
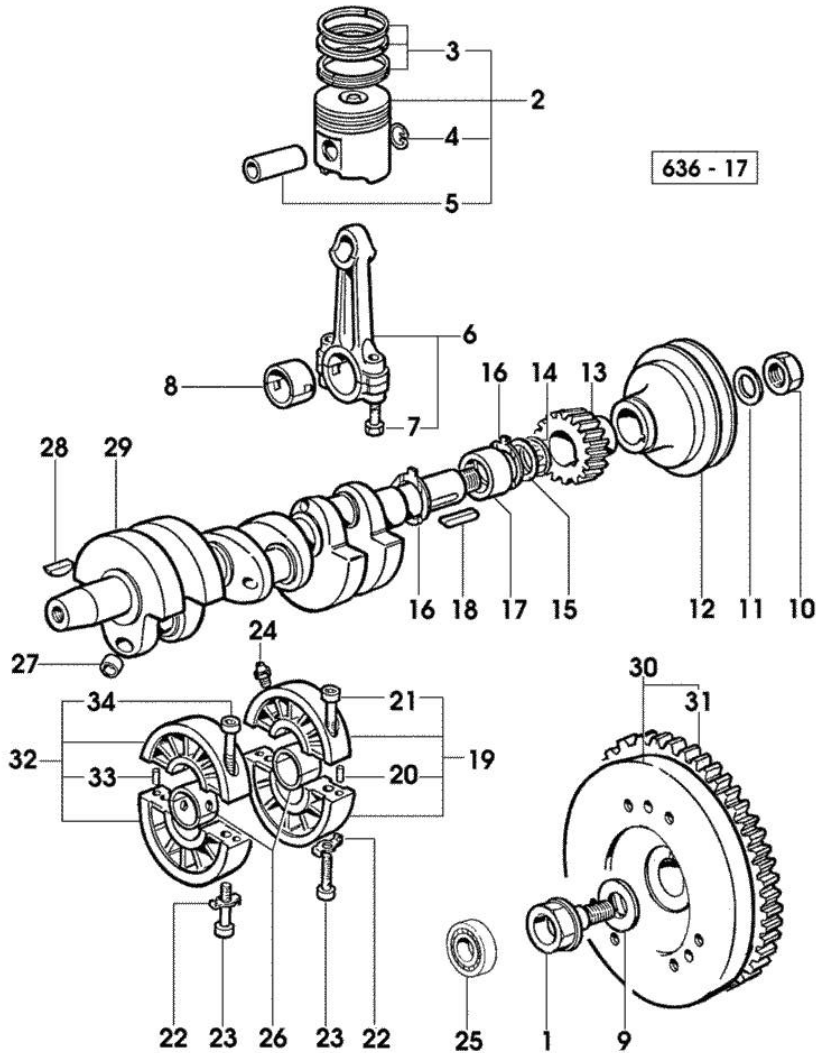


Fig.	P/n	QTY	Name
35	0.009.5010.2	1	cover
36	0.009.5058.0	2	special oil seal 50x65x8
37	2.0112.211.2	8	screw m 8 p.1.25 x 30
38	0.009.5071.2	6	flat washer 8.4x14x1.6
39	2.0422.203.7	3	stud bolt m 8 p.1.25 x 20
40	0.009.5082.0	1	stud bolt m 8 x 15
41	0.009.5020.0	1	gasket
42	2.1475.003.2	7	washer 10
43	2.0312.104.1	2	screw m 6 p.1 x 16
44	0.009.5014.0	2	main half bushing STANDARD
44	0.009.5014.1	2	main half bushing - mm 0.25
44	0.009.5014.2	2	main half bushing - mm 0.50
45	2.0112.310.2	7	screw m 10 p.1.5x28
46	0.009.5073.2	1	expansion plug 12
47	0.009.5026.0	4	gasket mm 0.1
47	0.009.5026.1	3	gasket mm 0.20
47	0.009.5026.2	3	gasket mm 0.3
48	0.009.5023.0	3	head gasket
49	0.009.5037.1	12	stud bolt
50	0.007.1771.0	3	engine cylinder
51	2.1651.707.0	2	pin
			-> (...)

Section: ENGINE
CRANKSHAFT

Fig.	P/n	QTY	Name
------	-----	-----	------

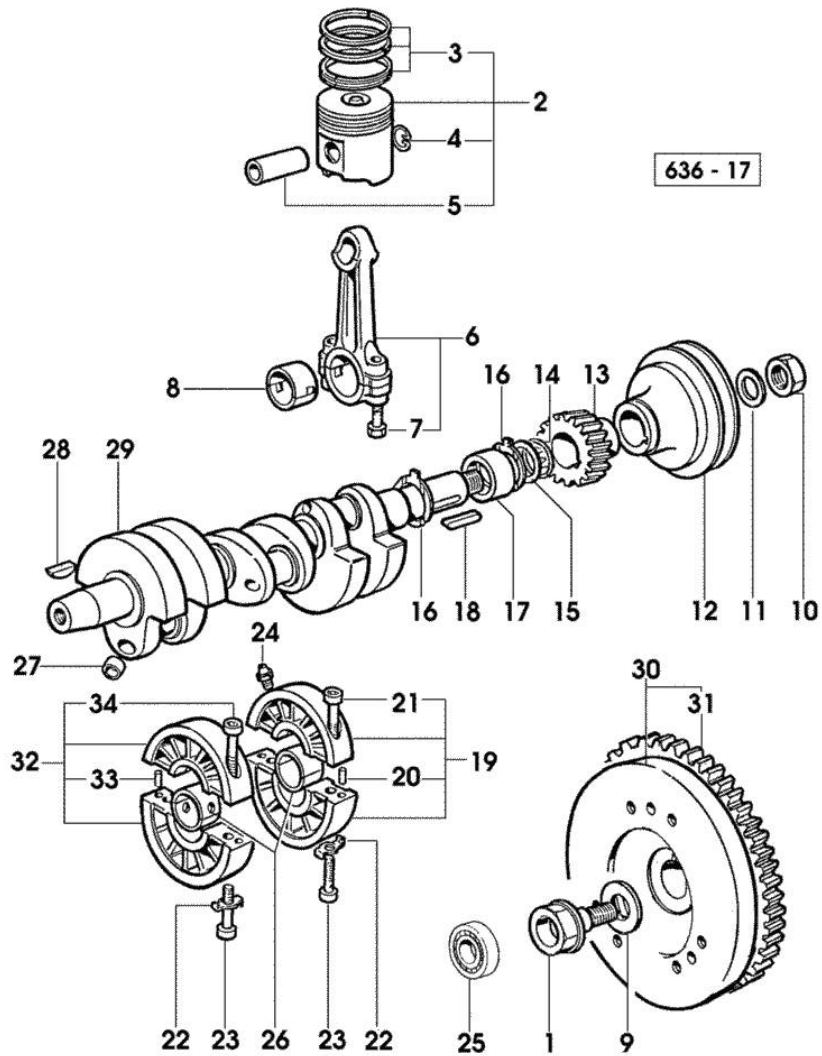
Notes:
 [SOLARIS 35 WIND]



1	0.009.5007.0	1	bolt
2	0.308.0060.6	3	complete piston STANDARD
3	0.308.0052.6	3	piston ring set
4	0.009.5002.1	6	circlip
5	0.009.5049.0	3	piston pin 22x64
6	0.009.5006.4	3	engine connecting rod
7	0.009.5006.0	6	screw
8	0.009.5006.1	3	con.rod half bushing STANDARD
8	0.009.5006.2	3	con.rod half bushing - mm 0.25
8	0.009.5006.3	3	con.rod half bushing - mm 0.50
9	0.009.5035.0	1	lock-tab
10	0.009.5001.2	1	special nut 27x1.5 h12
11	0.009.5069.2	1	flat washer 28x50 mm 4
12	0.009.6109.0	1	pulley
13	0.009.6219.0	1	gear
14	0.009.5066.2	1	special oil seal 37.47x3.00
15	0.009.5046.2	2	shim mm 0.1
16	0.009.5003.2	2	shoulder ring
17	0.009.5014.0	2	main half bushing STANDARD
17	0.009.5014.1	2	main half bushing - mm 0.25
17	0.009.5014.2	2	main half bushing - mm 0.50
18	0.009.5065.1	1	key 6x6x45
19	0.009.5050.1	1	support l.d.
20	2.1652.505.0	2	pin 6x12
21	2.0312.215.1	2	screw m 8 p.1.25 x 45
22	0.009.5072.2	4	washer 8.4
23	2.0112.219.2	4	screw m 8 p.1.25x55
24	0.009.5055.2	4	sprayers
25	2.2041.006.0	1	ball bearing 15x35x11
26	0.009.5013.0	2	main half bushing STANDARD
26	0.009.5013.1	2	main half bushing - mm 0.25
26	0.009.5013.2	2	main half bushing - mm 0.50
27	0.009.5073.0	6	expansion plug 10
28	0.009.5065.2	1	key 6x6x25
29	0.009.5061.0	1	crankshaft
30	0.008.7973.3/20	1	flywheel
			-> 1627
30	0.008.7998.3	1	flywheel
			1626 <-
31	0.008.7993.0	1	crown wheel
32	0.009.5050.2	1	support l.v.

Section: ENGINE
CRANKSHAFT

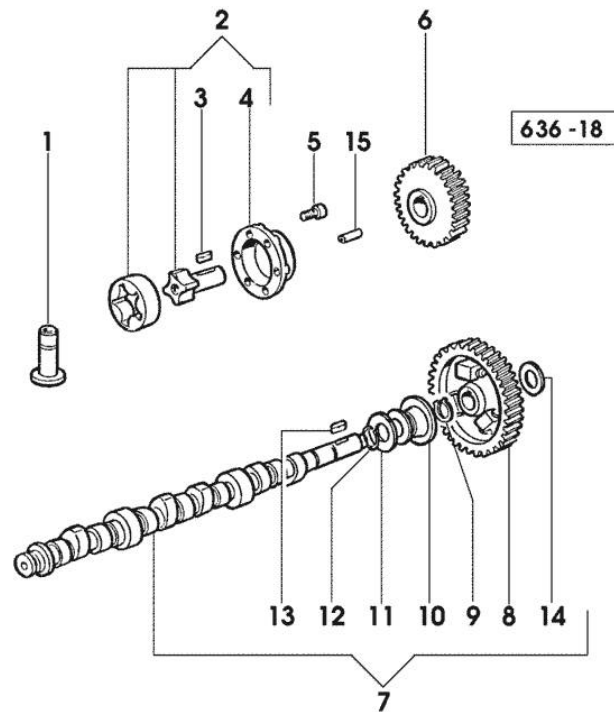
Fig.	P/n	QTY	Name
33	2.1652.505.0	2	pin 6x12
34	2.0312.215.2	2	screw



CAMSHAFT

Fig.	P/n	QTY	Name
------	-----	-----	------

Notes:
[SOLARIS 35 WIND]



1	0.009.5039.0	6	tappets
2	0.009.5060.0	1	oil pump
3	0.009.5065.0	1	key 6x6x15
4	0.009.5011.2	1	pump casing
5	2.0312.110.1	6	old part number m 6 p.1x30
6	0.009.6221.0	1	gear
7	0.009.5059.0	1	camshaft
8	0.009.6220.0	1	gear
9	0.009.5000.1	1	circlip 18
10	0.009.5036.2	1	cap-washer
11	0.009.5046.1	1	shim
12	0.009.5002.2	1	circlip
13	0.009.5066.0	1	key 4x4x12
14	0.009.5046.0	1	shim mm 0.20
15	0.009.5072.1	1	roll pin 8.5x12

Section: ENGINE
CYLINDER HEAD

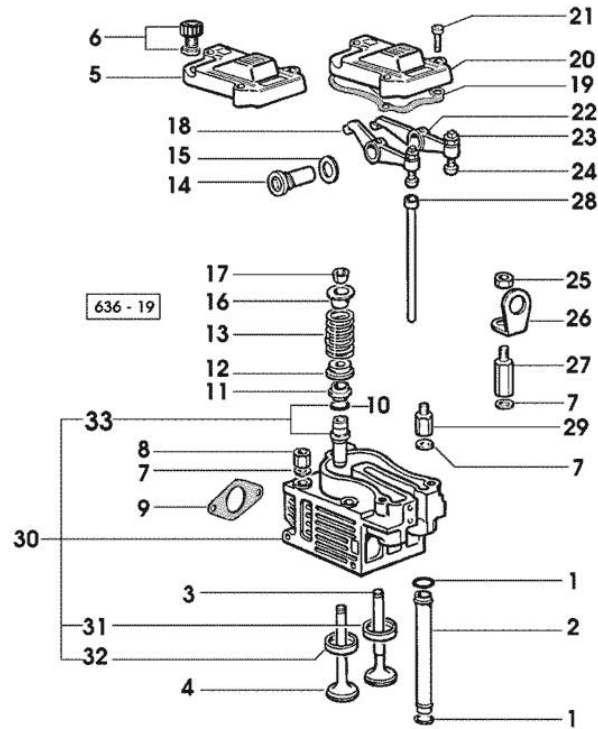


Fig.	P/n	QTY	Name
------	-----	-----	------

Notes:
[SOLARIS 35 WIND]

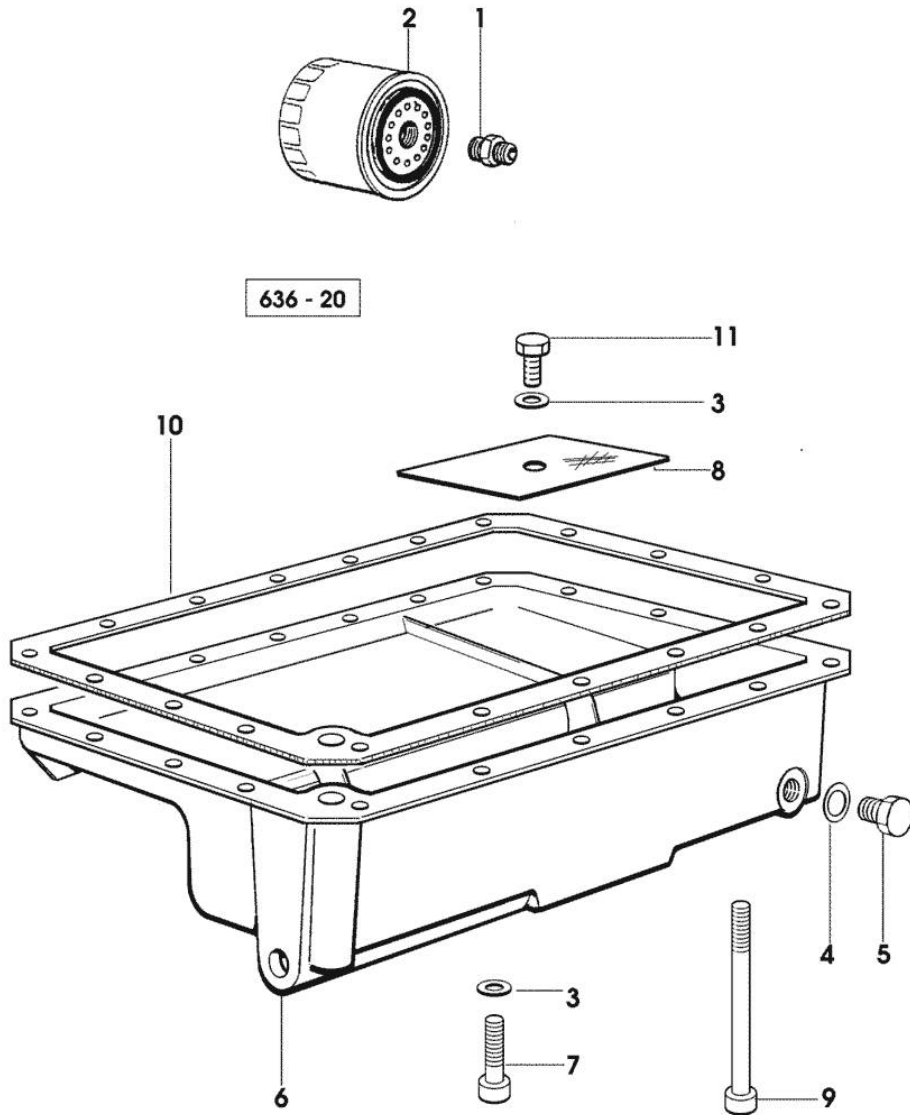
1	2.1531.040.0	12	oil seal 15.88x2.62
2	0.009.5054.1	6	sleeve
3	0.009.5056.0	3	inlet valve Ø mm 7
4	0.009.5056.1	3	exhaust valve Ø mm 7
5	0.009.5011.0	1	cover
6	0.009.5051.2	1	plug
7	0.009.5071.0	14	flat washer 9.5x17x4
8	0.009.5016.0	5	nut
9	0.009.5020.1	2	gasket
10	0.009.5002.0	6	ring
11	0.009.5025.0	6	gasket
12	0.009.5036.0	6	cap-washer
13	0.009.5030.0	6	spring
14	0.009.5034.1	6	pin
15	2.1560.014.0	6	washer 18.2 x 24
16	0.009.5036.1	6	cap-washer
17	0.009.5048.0	12	conical valve cotter
18	0.009.5005.2	3	rocker arm
19	0.009.5025.1	4	gasket
20	0.009.5011.1	2	cover
21	2.0312.107.1	9	screw m 6 p.1x22
22	0.009.5005.1	3	rocker arm
23	0.009.5017.0	6	nut
24	0.009.5044.1	6	register
25	2.1011.005.2	2	nut m 8 p.1.25
26	0.009.5019.2	2	hook
27	0.009.5016.2	3	special nut
28	0.009.5004.2	6	rod
29	0.009.5016.1	3	special nut
30	0.009.5084.4	3	engine head
31	0.009.5003.0	3	valve seat STANDARD
31	0.009.5003.1	3	valve seat + mm 0.5
32	0.009.5004.0	3	valve seat STANDARD
32	0.009.5004.1	3	valve seat + mm 0.5
33	0.009.5027.0	6	valve guide STANDARD
33	0.009.5027.1	6	valve guide + mm 0.5

Section: ENGINE
LUBRICATION

Fig.	P/n	QTY	Name
------	-----	-----	------

Notes:
 [SOLARIS 35 WIND]

1	0.009.5041.0	1	pipe fitting
2	0.009.5008.0	1	oil filter element
3	2.1310.002.2	18	flat washer 6.4x12.5
4	2.1560.010.0	1	gasket 14.2 x 20
5	0.009.5075.1	1	plug m 14 p.1.5x15
6	0.008.7962.0	1	oil sump
7	2.0312.110.1	18	old part number m 6 p.1x30
8	0.009.6233.0	1	net mesh
9	2.0312.127.1	1	screw m 6 p.1x110
10	0.009.5023.2	1	gasket
11	2.0112.002.2	1	screw m 6 p.1 x 10



Section: ENGINE

FUEL SUPPLY SYSTEM

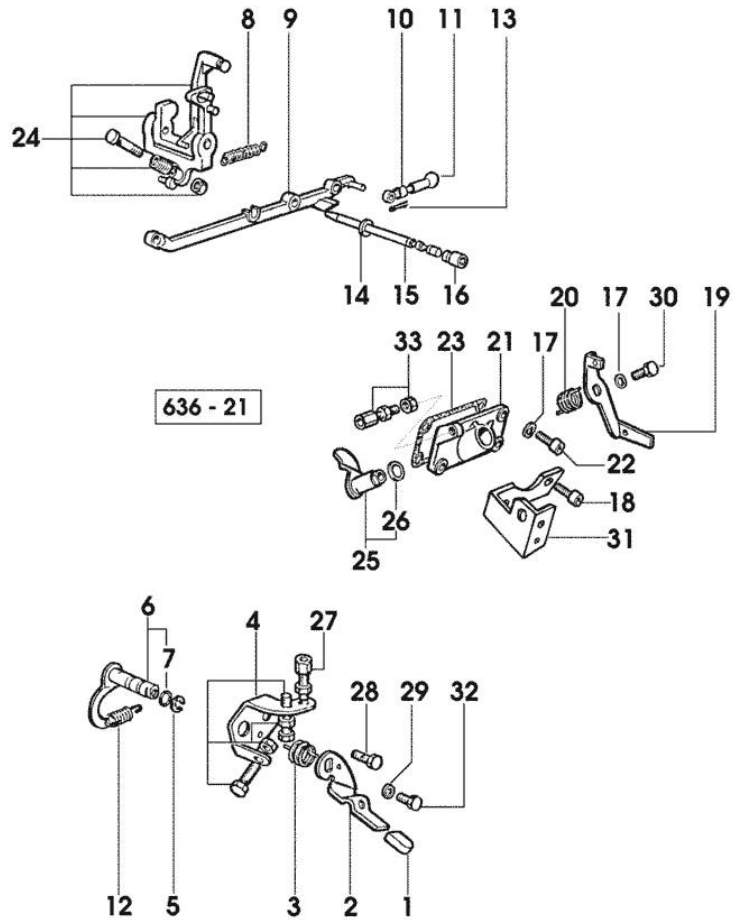


Fig.	P/n	QTY	Name
------	-----	-----	------

Notes:
[SOLARIS 35 WIND]

1	0.009.5007.1	2	cap
2	0.009.5029.0	1	lever
3	0.009.5030.2	1	spring
4	0.009.5035.2	1	small plate
5	0.009.5000.0	1	circlip 8
6	0.009.5028.2	1	lever
7	2.1531.016.0	1	ring 8.74 x 1.78
8	0.009.5031.0	1	spring
9	0.009.5052.2	1	rod
10	0.009.5043.2	1	register
11	0.009.5048.2	1	joint
12	0.009.5031.1	1	spring
13	0.009.5031.2	4	spring
14	2.1560.006.0	1	gasket 10.2 x 16
15	0.009.5034.0	1	pin
16	0.009.5057.1	1	screw
17	2.1310.002.2	5	flat washer 6.4x12.5
18	2.0312.108.1	2	screw m 6 p.1 x 25
19	0.009.5029.1	1	lever
20	0.009.5030.1	1	spring
21	0.009.5010.1	1	cover
22	2.0312.106.1	2	old part number m 6 p.1 x 20
23	0.009.5024.0	1	gasket
24	0.009.5029.2	1	lever
25	0.009.5028.1	1	lever
26	2.1531.016.0	1	ring 8.74 x 1.78
27	0.009.5043.1	1	lever mm 20
28	0.009.5075.2	1	screw m 8 x 12
29	0.009.5070.0	1	flat washer 6.6x18x2
30	2.0112.005.2	2	screw m 6 p.1 x 16
31	0.009.6205.3/10	1	bracket
32	2.0112.005.2	1	screw m 6 p.1 x 16
33	0.009.5043.0	1	register

FUEL SUPPLY SYSTEM

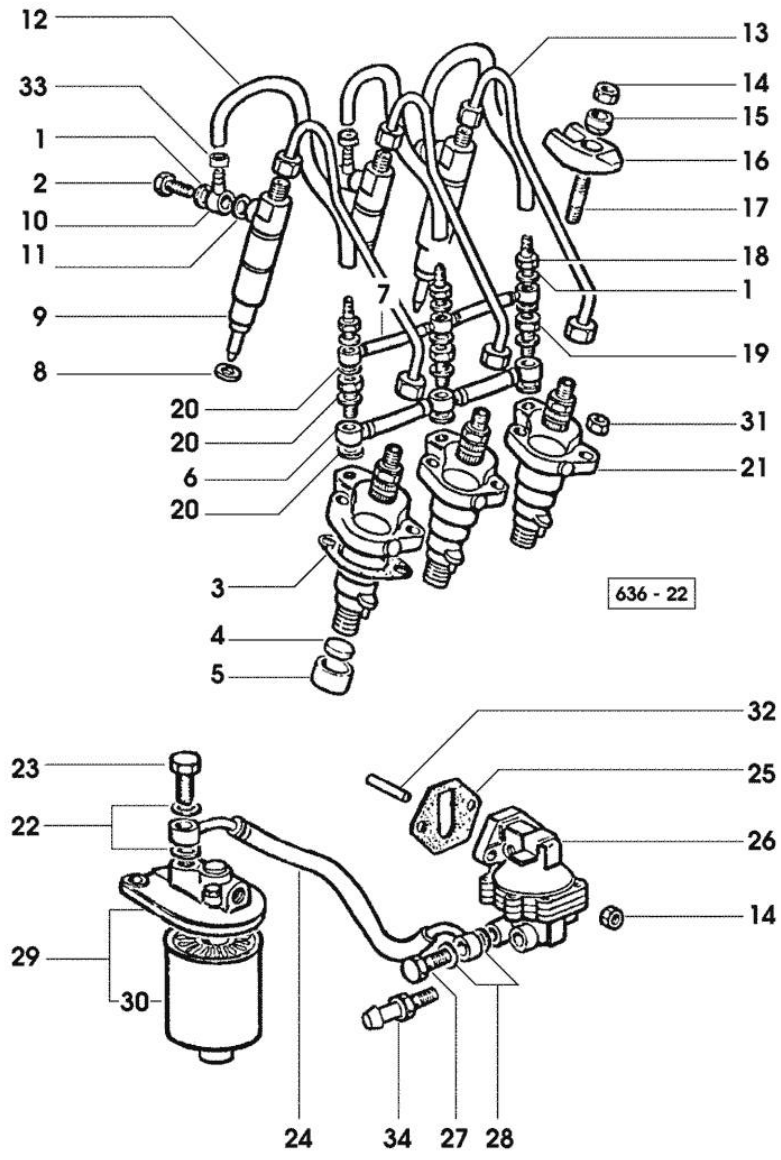


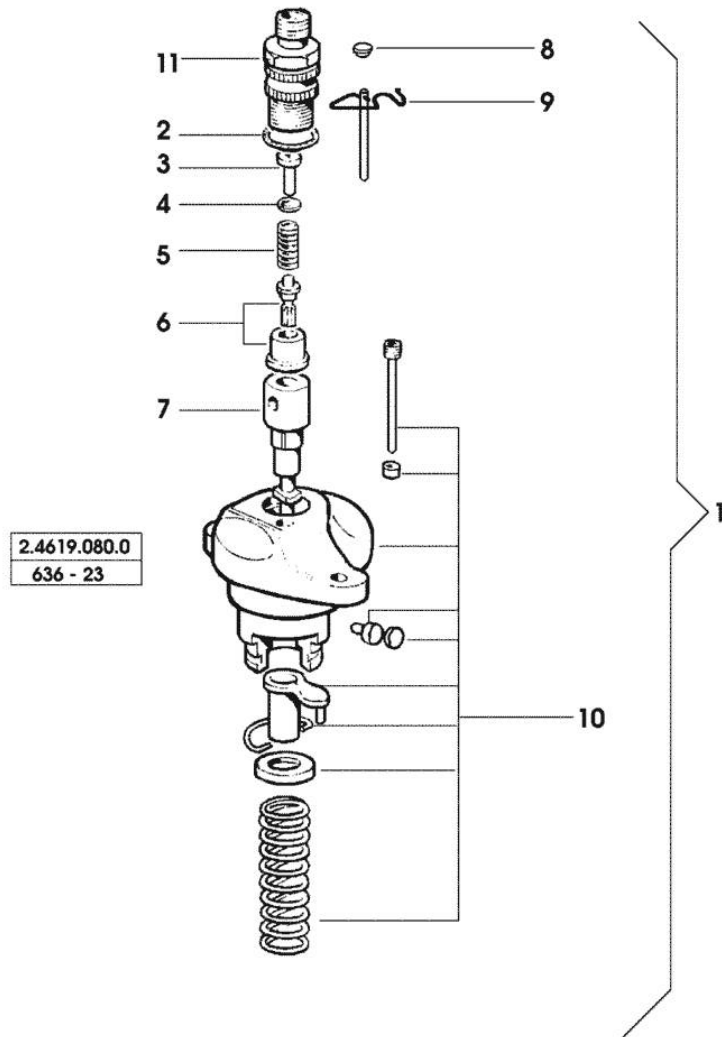
Fig.	P/n	QTY	Name
Notes:			
[SOLARIS 35 WIND]			
1	2.1560.003.0	6	copper gasket 8.2 x 12
2	0.009.5040.2	3	pipe fitting
3	0.009.5021.0	3	gasket mm 0.3
3	0.009.5021.1	3	gasket mm 0.20
3	0.009.5021.2	3	gasket mm 0.1
4	0.009.5033.2	3	pad
5	0.009.5038.2	3	tappets
6	0.009.5053.2	1	tube
7	0.009.5054.0	1	tube
8	0.009.5067.1	3	gasket 7.25x21x1
8	0.009.5068.0	3	gasket 7.25x21x0.5
9	2.4719.290.0	3	injector assembly ☞ 01.00.162
10	0.009.5032.0	3	eyelet
11	0.009.5067.2	3	gasket 6.2x10x2.5
12	0.009.5053.0	3	tube
13	0.009.5054.2	3	tube
14	2.1011.005.2	3	nut m 8 p.1.25
15	0.009.5070.2	3	conical washer 8.4x15x7.5
16	0.009.5049.1	3	bracket
17	0.009.5082.2	3	stud bolt m 8x32
18	0.009.5041.1	3	pipe fitting
19	0.009.5040.1	3	pipe fitting
20	2.1560.008.0	9	gasket 12.2 x 18
21	2.4619.080.0	3	injector pump ☞ 01.00.157
22	2.1560.010.0	4	gasket 14.2 x 20
23	0.009.5039.1	2	pipe fitting 14x1.5x27
24	0.009.5053.1	1	tube
25	0.009.5022.0	2	gasket mm 0.20
25	0.009.5022.1	1	gasket mm 1.0
26	0.009.5064.0	1	feed pump
27	0.009.5039.2	1	pipe fitting 10x1x23
28	2.1560.006.0	2	gasket 10.2 x 16
29	0.009.5019.0	1	fuel filter
30	0.009.5008.1	1	fuel filter element
31	0.009.5001.1	6	self-locking nut
32	0.009.5038.1	1	cap
33	0.009.5080.1	6	clamp
34	0.009.5077.0	1	pipe fitting

INJECTION PUMP PARTS

Fig.	P/n	QTY	Name
------	-----	-----	------

Notes:
[SOLARIS 35 WIND]

1	2.4619.080.0	1	injector pump
2	0.009.5077.2	1	special oil seal 15.60
3	0.009.5080.0	1	filler
4	0.009.5078.0	1	washer
5	0.009.5079.2	1	spring
6	0.009.5076.0	1	valve
7	0.009.5081.1	1	pumping element
8	0.009.5076.1	1	rivet 5x10
9	0.009.5078.1	1	spring
10	0.000.0000.1		cannot be supplied
11	0.009.5076.2	1	pipe fitting



INJECTOR NOZZLE HOLDER COMPONENTS

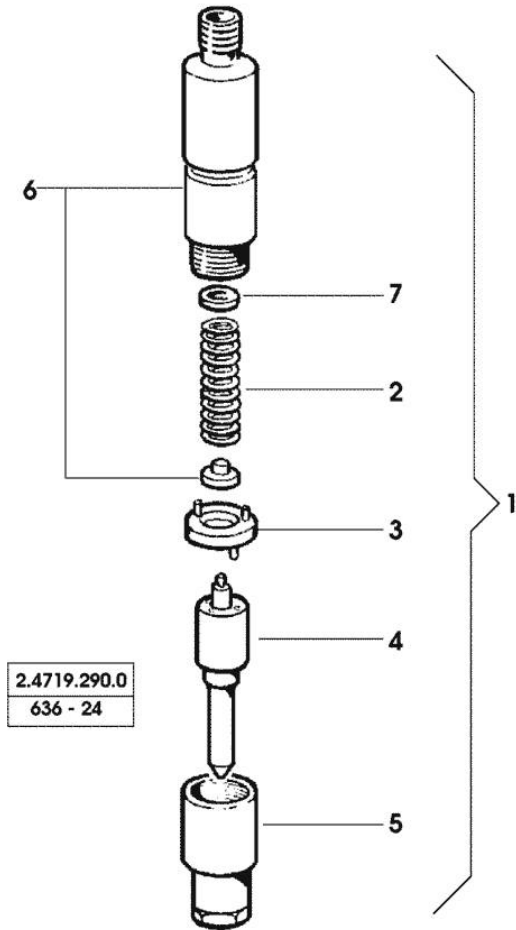
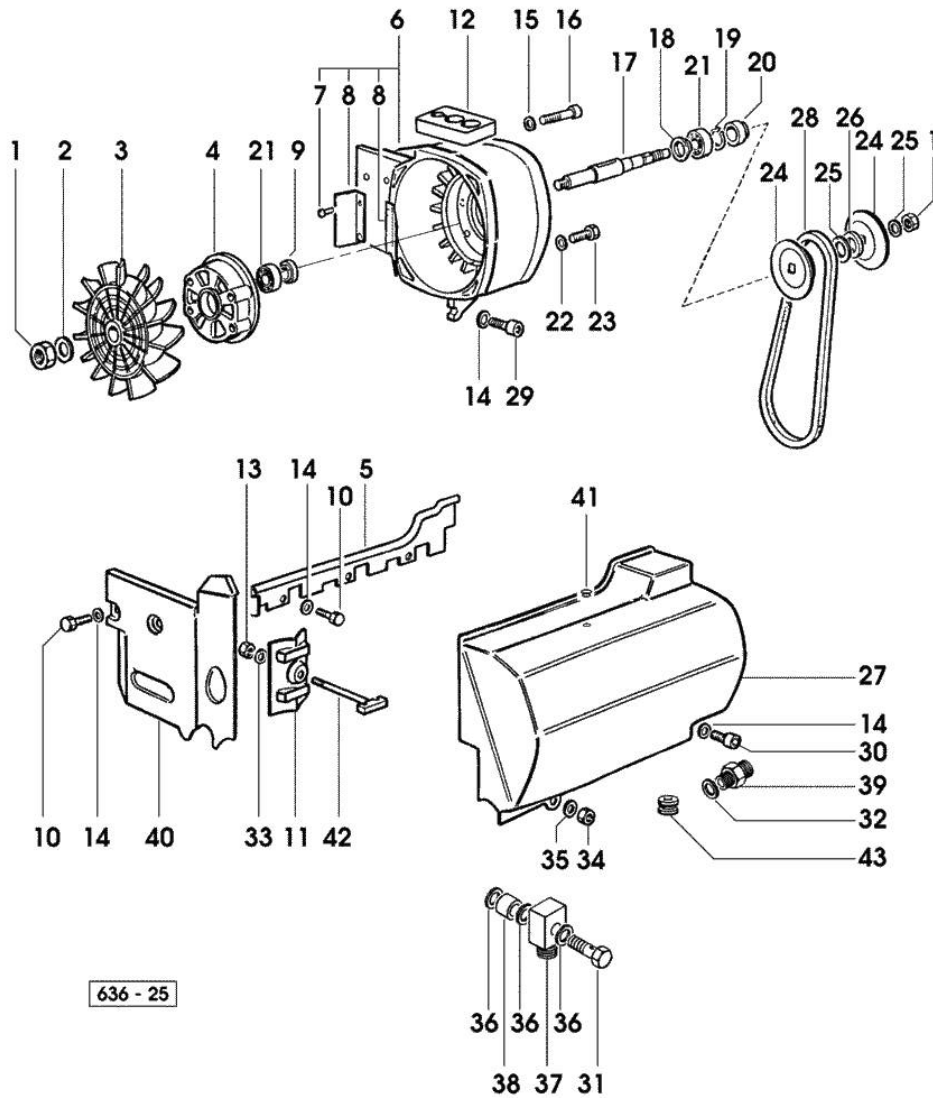


Fig.	P/n	QTY	Name
------	-----	-----	------

Notes:
[SOLARIS 35 WIND]

1	2.4719.290.0	1	injector assembly
2	0.009.5079.1	1	spring
3	0.009.5079.0	1	spacer
4	0.009.5081.0	1	nozzle
5	0.009.5080.2	1	nozzle holder
6	0.000.0000.1		cannot be supplied
7	0.009.5077.1	1	shim mm 0.1
7	0.009.5078.2	1	shim mm 1.0

COOLING

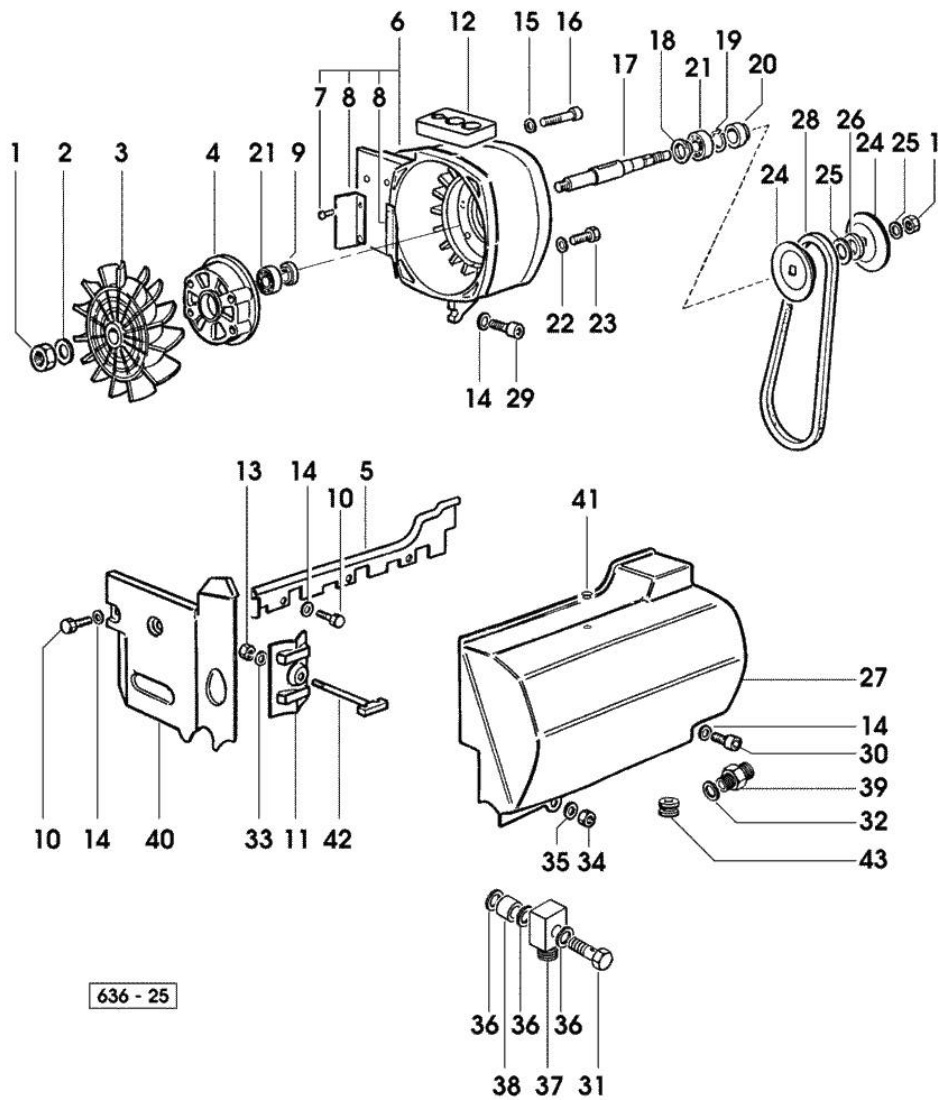


Notes:
[SOLARIS 35 WIND]

Fig.	P/n	QTY	Name
1	2.1011.108.6	2	nut m 14 p.2
2	2.1310.009.2	1	flat washer 15x20
3	0.009.5057.0	1	fan
4	0.009.5051.0	1	support
5	0.009.5033.0	1	division
6	0.009.5042.0	1	ventilator body
7	0.009.5067.0	4	rivet
8	0.009.5033.1	2	division
9	0.009.5018.0	1	spacer
10	2.0112.205.2	5	screw m 8 p.1.25 x 16
11	0.009.5032.2	2	division
12	0.009.5052.1	1	block
13	0.009.5001.0	2	self-locking nut m 4
14	2.1310.004.2	22	flat washer 8.4x17
15	0.009.5070.1	3	flat washer 6.5x16x1.5
16	2.0112.024.2	3	screw m 6 p.1x65
17	0.009.5034.2	1	pin
18	0.009.5042.1	1	spacer
19	0.009.5000.2	1	circlip 42
20	0.009.5018.1	1	spacer
21	2.2061.004.0	2	ball bearing 15x42x13
22	2.1310.002.2	1	flat washer 6.4x12.5
23	2.0312.122.2	1	screw m 6 p.1x80
24	0.009.5048.1	2	half pulley
25	0.009.5047.1	2	shim mm 2.5
26	0.009.5047.0	3	shim mm 1.0
27	0.009.5012.0	1	duct
28	0.009.5008.2	1	belt
29	2.0312.208.1	1	screw m 8 p.1.25 x 25
30	2.0312.210.1	1	old part number m 8 p.1.25 x 30
31	2.3339.654.2	1	pipe fitting 3/8
32	2.1560.053.0	2	gasket 17 x 21
33	2.1310.028.2	2	flat washer
34	2.1011.005.2	1	nut m 8 p.1.25
35	0.009.5069.1	1	flat washer 8.5x18x4
36	2.1560.053.0	3	gasket 17 x 21
37	0.009.6340.0	1	pipe fitting
38	2.1579.171.1	2	spacer 17x27x7
39	2.3261.109.2	1	pipe fitting 9/16" - 18 J
40	0.009.5032.1	1	division
41	0.009.5074.1	4	plug 12

COOLING

Fig.	P/n	QTY	Name
42	0.009.5052.3	2	rod
43	0.009.5037.2	2	wire guide



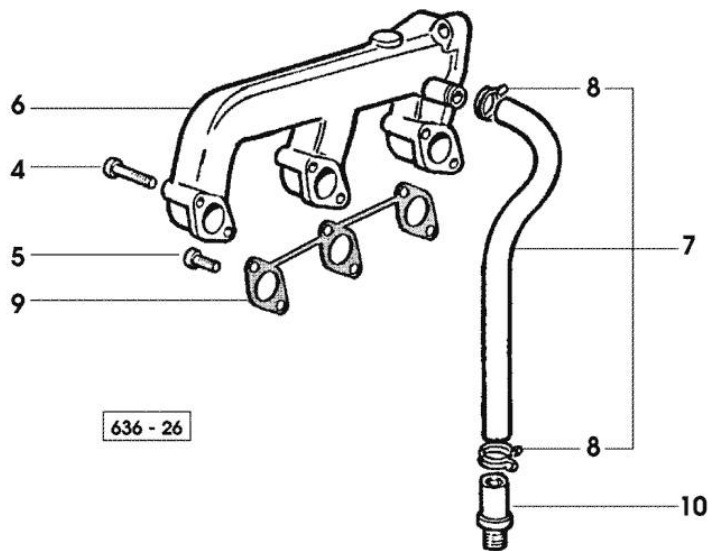
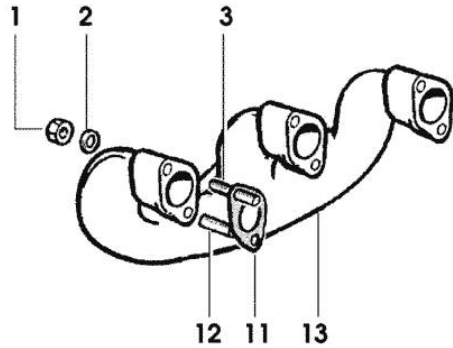
Section: ENGINE

INTAKE AND EXHAUST

Fig.	P/n	QTY	Name
------	-----	-----	------

Notes:
[SOLARIS 35 WIND]

1	0.009.5017.1	6	special nut m 8
2	0.009.5068.1	6	spring washer 8
3	2.0422.218.2	3	stud bolt m 8 x 65
4	2.0312.219.1	3	screw m 8 p.1.25x65
5	2.0312.210.1	6	old part number m 8 p.1.25 x 30
6	0.009.5009.0	1	intake manifold
7	0.009.5055.0	1	tube
8	0.009.5063.2	2	clamp
9	0.009.5028.0	1	gasket
10	0.009.5041.2	1	pipe fitting
11	0.009.5024.2	3	gasket
12	0.009.5082.1	3	stud bolt m.8x27
13	0.009.5009.1	1	exhaust manifold

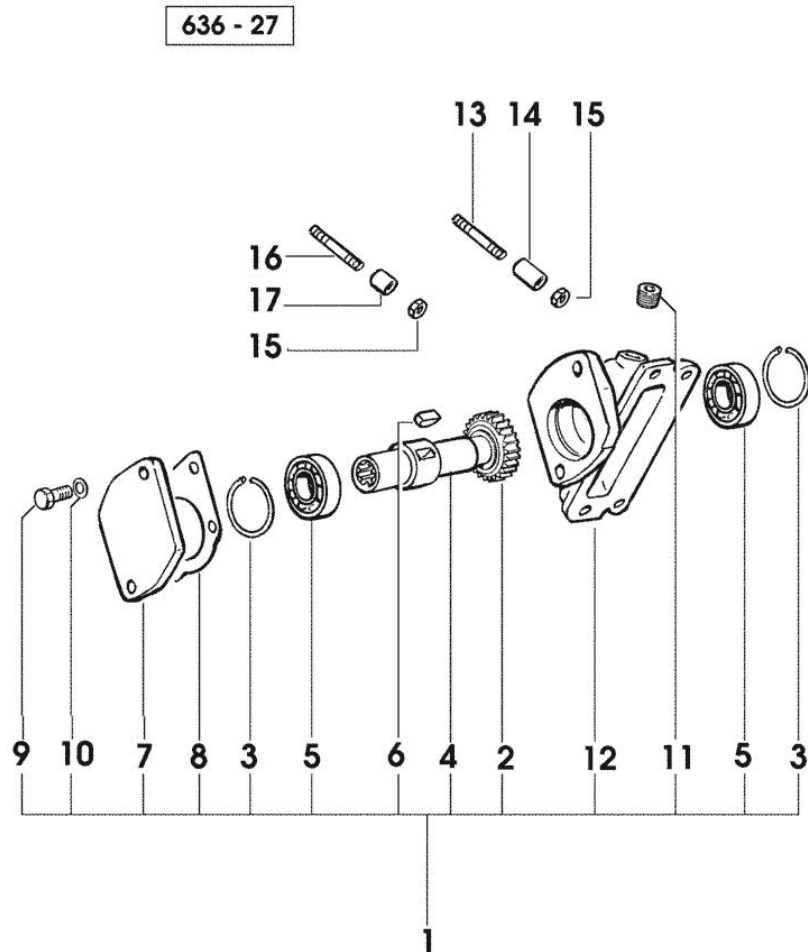


HYDRAULIC PUMP POWER TAKEOFF

Fig.	P/n	QTY	Name
------	-----	-----	------

Notes:
[SOLARIS 35 WIND]

1	0.009.6138.4/30	1	support
2	0.009.6106.0/10	1	gear
3	2.1411.019.1	2	circlip 47
4	0.008.7996.0	1	sleeve
5	2.2030.006.0	2	ball bearing 25 x 47 x 12
6	2.1720.006.0	1	key 4x6.5
7	0.007.1806.0	1	plate
8	0.9104.250.0/10	1	gasket
9	2.0112.307.2	2	screw m 10 p.1.5 x 20
10	2.1310.006.2	2	flat washer 10.5x21
11	2.3131.003.4	1	plug m 16 p.1.5
12	0.008.7966.0	1	support
13	2.0422.218.2	5	stud bolt m 8 x 65
14	0.009.5018.2	2	spacer 8.5x14x40
15	2.1011.005.2	4	nut m 8 p.1.25
16	0.009.5083.0	2	stud bolt m 8x38
17	2.1579.171.2	2	spacer 17x27x7



Thank you so much for reading.
Please click the “Buy Now!”
button below to download the
complete manual.



After you pay.

You can download the most
perfect and complete manual in
the world immediately.

Our support email:

ebooklibonline@outlook.com