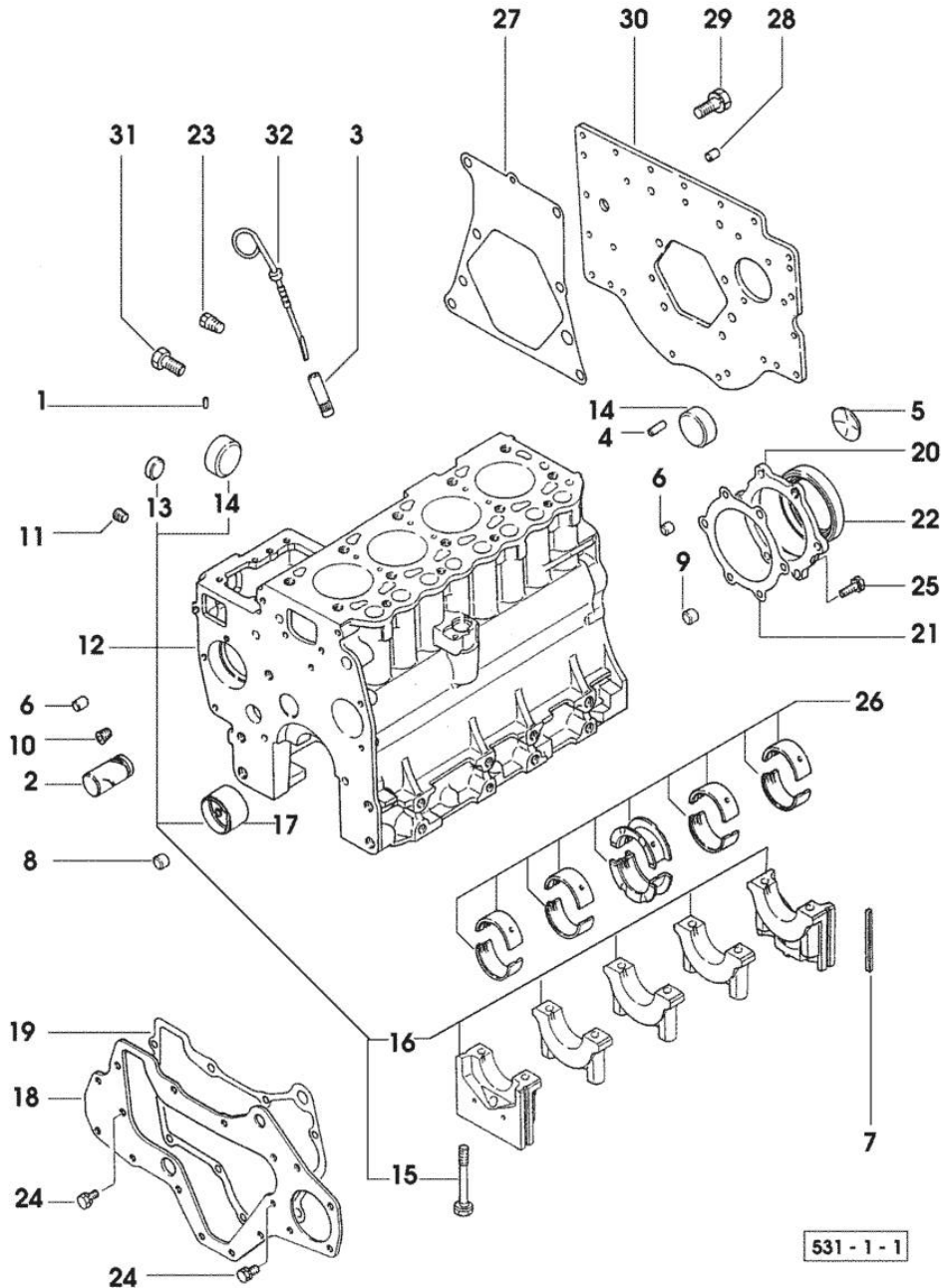


Section: ENGINE

**CRANKCASE**



| Fig. | P/n | QTY | Name |
|------|-----|-----|------|
|------|-----|-----|------|

Notes:  
[SOLARIS 35]

|    |                 |    |                             |
|----|-----------------|----|-----------------------------|
| 1  | 0.009.4523.0    | 2  | pin                         |
| 2  | 0.009.4523.1    | 1  | shaft                       |
| 3  | 0.009.4523.2    | 1  | guide                       |
| 4  | 0.009.4524.0    | 1  | pin                         |
| 5  | 0.009.4524.1    | 1  | expansion plug              |
| 6  | 0.009.4524.2    | 2  | special bushing             |
| 7  | 0.009.4525.0    | 4  | gasket                      |
| 8  | 0.009.4525.1    | 2  | special bushing             |
| 9  | 0.009.4525.2    | 1  | special bushing             |
| 10 | 0.009.4526.0    | 1  | plug                        |
| 11 | 0.009.4526.1    | 2  | plug                        |
| 12 | 0.009.4526.4    | 1  | crankcase<br>- X 35HP       |
| 12 | 0.009.4778.4    | 1  | crankcase<br>- X 42HP       |
| 13 | 0.009.4527.0    | 2  | plug                        |
| 14 | 0.009.4527.1    | 3  | plug                        |
| 15 | 0.009.4527.2    | 10 | screw                       |
| 16 | 0.000.0000.1    |    | cannot be supplied          |
| 17 | 0.009.4528.0    | 1  | special bushing             |
| 18 | 0.009.4528.1    | 1  | plate                       |
| 19 | 0.009.4528.2    | 1  | gasket                      |
| 20 | 0.009.4529.0    | 1  | flange                      |
| 21 | 0.009.4529.1    | 1  | gasket                      |
| 22 | 0.009.4529.2    | 1  | special oil seal            |
| 23 | 0.009.4530.0    | 1  | plug                        |
| 24 | 0.009.4530.1    | 3  | screw                       |
| 25 | 0.009.4530.2    | 6  | screw                       |
| 26 | 0.009.4531.0    | 1  | main half bushing STANDARD  |
| 26 | 0.009.4531.1    | 1  | main half bushing - mm 0.25 |
| 26 | 0.009.4531.2    | 1  | main half bushing - mm 0.50 |
| 26 | 0.009.4532.0    | 1  | main half bushing - mm 0.75 |
| 27 | 0.009.4532.1    | 1  | gasket                      |
| 28 | 0.009.4532.2    | 1  | pin                         |
| 29 | 0.009.4533.0    | 6  | screw                       |
| 30 | 0.008.6506.0/40 | 1  | plate                       |
| 31 | 0.009.4533.1    | 4  | screw                       |
| 32 | 0.009.4533.2    | 1  | level indicator             |

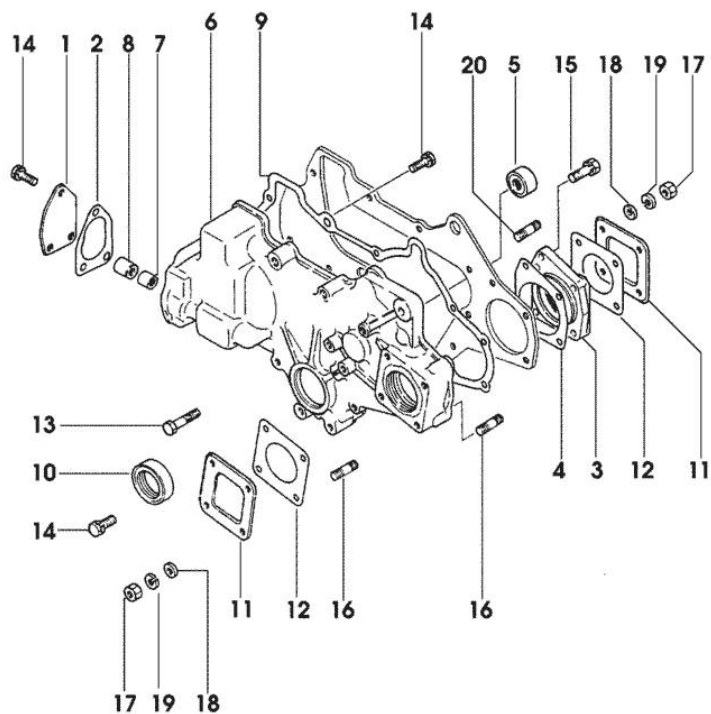
Section: ENGINE

**TIMING CASE**

| Fig. | P/n | QTY | Name |
|------|-----|-----|------|
|------|-----|-----|------|

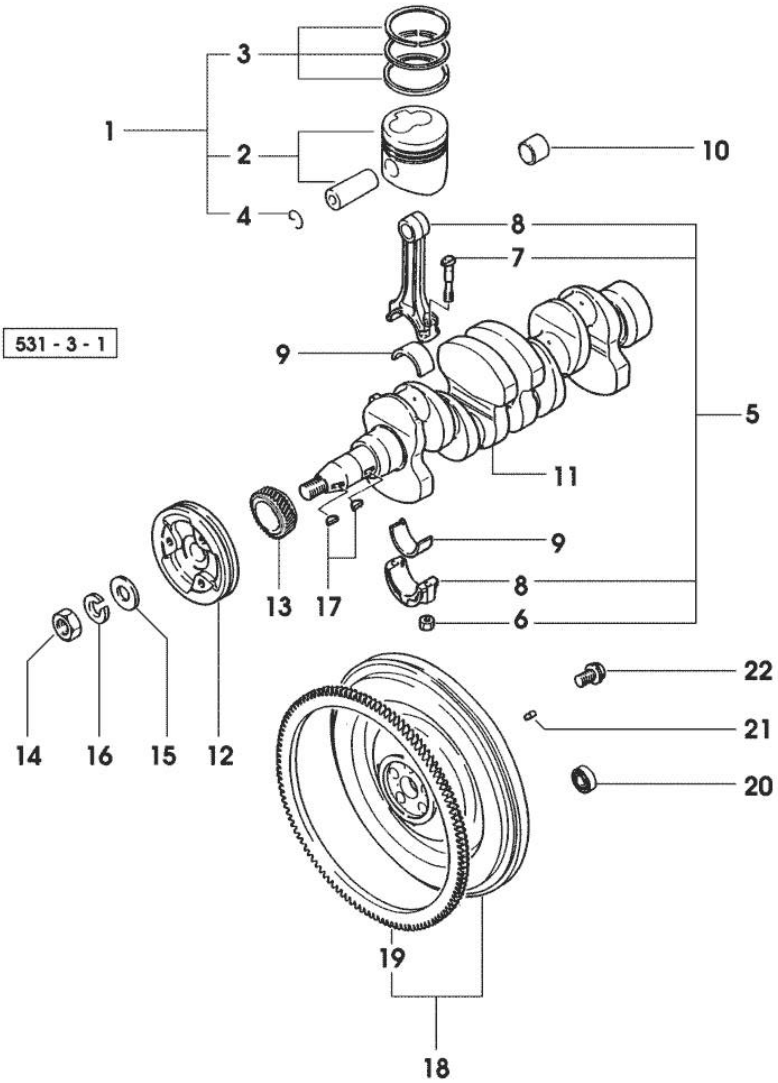
Notes:  
[SOLARIS 35]

|    |              |   |                 |
|----|--------------|---|-----------------|
| 1  | 0.009.4534.0 | 1 | cover           |
| 2  | 0.009.4534.1 | 1 | gasket          |
| 3  | 0.009.4534.2 | 1 | flange          |
| 4  | 0.009.4535.0 | 1 | gasket          |
| 5  | 0.009.4535.1 | 1 | plug            |
| 6  | 0.009.4535.2 | 1 | distr. box      |
| 7  | 0.009.4536.0 | 1 | special bearing |
| 8  | 0.009.4536.1 | 1 | special bearing |
| 9  | 0.009.4536.2 | 1 | gasket          |
| 10 | 0.009.4537.0 | 1 | gasket          |
| 11 | 0.009.4537.1 | 2 | cover           |
| 12 | 0.009.4537.2 | 2 | gasket          |
| 13 | 0.009.4538.0 | 8 | screw           |
| 14 | 0.009.4530.1 | 5 | screw           |
| 15 | 0.009.4538.1 | 1 | screw           |
| 16 | 0.009.4538.2 | 5 | stud bolt       |
| 17 | 0.009.4539.0 | 8 | nut             |
| 18 | 0.009.4539.1 | 8 | flat washer     |
| 19 | 0.009.4539.2 | 8 | spring washer   |
| 20 | 0.009.4540.0 | 3 | stud bolt       |



531 - 2 - 1

Section: ENGINE  
CRANKSHAFT



| Fig.          | P/n          | QTY | Name                           |
|---------------|--------------|-----|--------------------------------|
| <b>Notes:</b> |              |     |                                |
| [SOLARIS 35]  |              |     |                                |
| 1             | 0.361.0060.6 | 4   | complete piston STANDARD       |
| 1             | 0.361.0061.6 | 4   | complete piston + mm 0.25      |
| 1             | 0.361.0062.6 | 4   | complete piston + mm 0.50      |
| 2             | 0.000.0000.1 |     | cannot be supplied             |
| 3             | 0.361.0052.6 | 4   | piston ring set STANDARD       |
| 3             | 0.361.0053.6 | 4   | piston ring set + mm 0.25      |
| 3             | 0.361.0054.6 | 4   | piston ring set + mm 0.50      |
| 4             | 0.009.4550.1 | 8   | circlip                        |
| 5             | 0.009.4550.4 | 4   | engine connecting rod          |
| 6             | 0.009.4551.0 | 8   | nut                            |
| 7             | 0.009.4551.1 | 8   | screw                          |
| 8             | 0.000.0000.1 |     | cannot be supplied             |
| 9             | 0.009.4551.2 | 4   | con.rod half bushing STANDARD  |
| 9             | 0.009.4552.0 | 4   | con.rod half bushing - mm 0.25 |
| 9             | 0.009.4552.1 | 4   | con.rod half bushing - mm 0.50 |
| 9             | 0.009.4552.2 | 4   | con.rod half bushing - mm 0.75 |
| 10            | 0.009.4553.0 | 4   | special bushing                |
| 11            | 0.009.4553.1 | 1   | crankshaft                     |
| 12            | 0.009.4553.2 | 1   | pulley                         |
| 13            | 0.009.4554.0 | 1   | gear                           |
| 14            | 0.009.4554.1 | 1   | nut                            |
| 15            | 0.009.4554.2 | 1   | flat washer                    |
| 16            | 0.009.4555.0 | 1   | spring washer                  |
| 17            | 0.009.4555.1 | 2   | key                            |
| 18            | 0.009.4555.4 | 1   | flywheel                       |
| 19            | 0.009.4556.0 | 1   | crown wheel                    |
| 20            | 0.009.4556.1 | 1   | special bearing                |
| 21            | 0.009.4556.2 | 3   | pin                            |
| 22            | 0.009.4557.0 | 5   | screw                          |

## Section: ENGINE

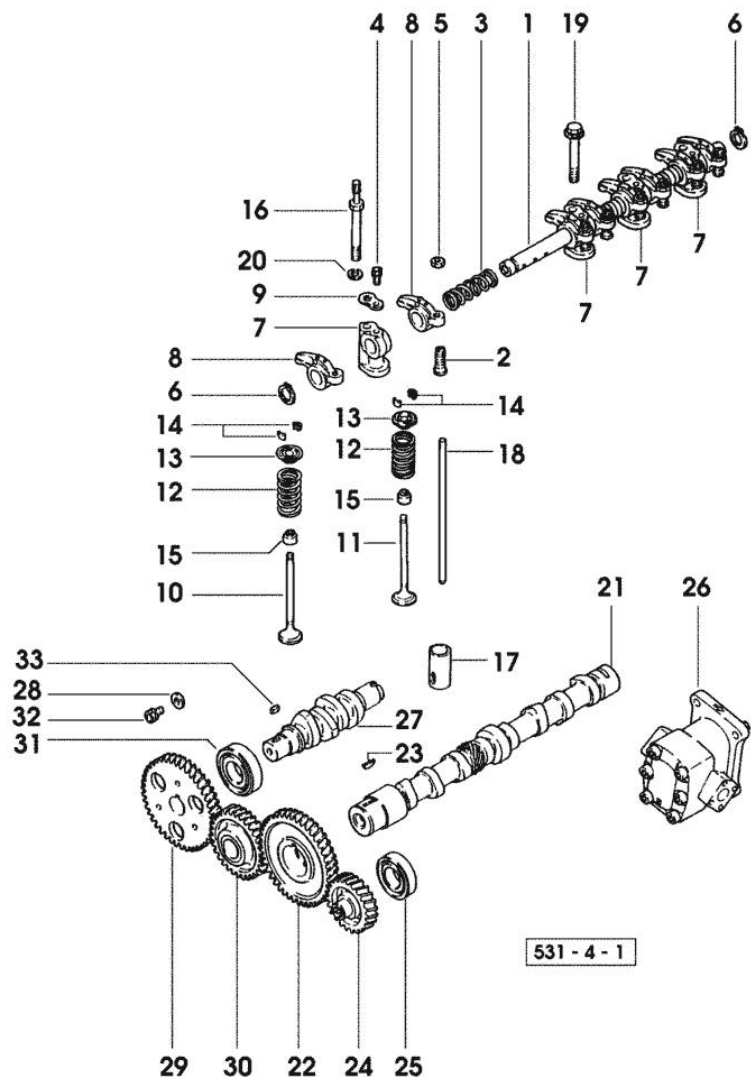
## CAMSHAFT

| Fig. | P/n | QTY | Name |
|------|-----|-----|------|
|------|-----|-----|------|

## Notes:

[SOLARIS 35]

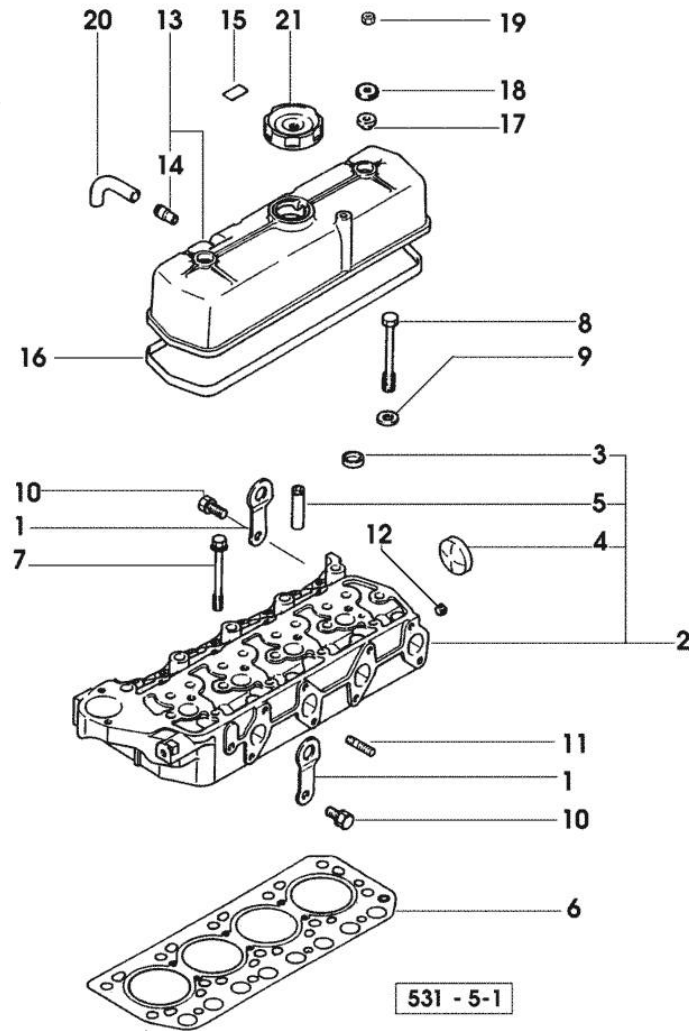
|    |              |    |                        |
|----|--------------|----|------------------------|
| 1  | 0.009.4557.1 | 1  | shaft                  |
| 2  | 0.009.4557.2 | 8  | screw                  |
| 3  | 0.009.4558.0 | 3  | spring                 |
| 4  | 0.009.4558.1 | 2  | screw                  |
| 5  | 0.009.4558.2 | 8  | self-locking nut       |
| 6  | 0.009.4559.0 | 2  | ring                   |
| 7  | 0.009.4559.1 | 4  | support                |
| 8  | 0.009.4559.2 | 8  | rocker arm             |
| 9  | 0.009.4560.0 | 2  | washer                 |
| 10 | 0.009.4560.1 | 4  | inlet valve Ø mm 6.5   |
| 11 | 0.009.4560.2 | 4  | exhaust valve Ø mm 6.5 |
| 12 | 0.009.4561.0 | 8  | spring                 |
| 13 | 0.009.4561.1 | 8  | cup                    |
| 14 | 0.009.4561.2 | 16 | stop                   |
| 15 | 0.009.4562.0 | 8  | gasket                 |
| 16 | 0.009.4562.1 | 2  | screw                  |
| 17 | 0.009.4562.2 | 8  | tappets                |
| 18 | 0.009.4563.0 | 8  | rod                    |
| 19 | 0.009.4563.1 | 2  | screw                  |
| 20 | 0.009.4563.2 | 2  | washer                 |
| 21 | 0.009.4564.0 | 1  | camshaft               |
| 22 | 0.009.4564.1 | 1  | gear                   |
| 23 | 0.009.4555.1 | 1  | key                    |
| 24 | 0.009.4564.2 | 1  | gear                   |
| 25 | 0.009.4565.0 | 2  | special bearing        |
| 26 | 0.008.6956.4 | 1  | oil pump<br>- X 35HP   |
| 26 | 0.009.4784.0 | 1  | oil pump<br>- X 42HP   |
| 27 | 0.009.4565.2 | 1  | injection pump shaft   |
| 28 | 0.009.4566.0 | 1  | washer                 |
| 29 | 0.009.4566.1 | 1  | gear                   |
| 30 | 0.009.4566.2 | 1  | gear                   |
| 31 | 0.009.4567.0 | 1  | special bearing        |
| 32 | 0.009.4567.1 | 1  | screw                  |
| 33 | 0.009.4567.2 | 1  | stick                  |



Section: ENGINE  
CYLINDER HEAD

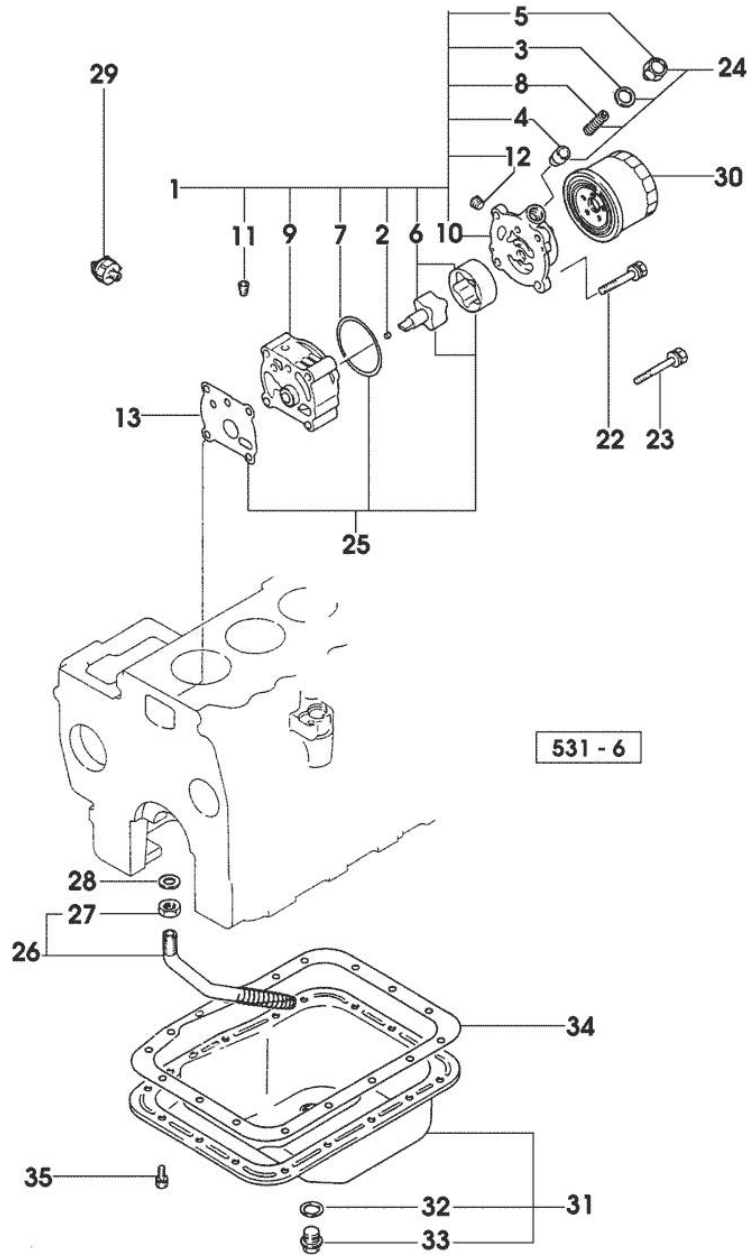
| Fig. | P/n | QTY | Name |
|------|-----|-----|------|
|------|-----|-----|------|

Notes:  
[SOLARIS 35]



|    |              |    |                     |
|----|--------------|----|---------------------|
| 1  | 0.009.4541.2 | 2  | bracket             |
| 2  | 0.009.4542.4 | 1  | engine head         |
| 3  | 0.009.4527.0 | 4  | plug                |
| 4  | 0.009.4527.1 | 1  | plug                |
| 5  | 0.009.4542.1 | 8  | valve guide         |
| 6  | 0.009.4542.2 |    | head gasket mm 1.53 |
| 6  | 0.009.4543.0 |    | head gasket mm 1.40 |
| 6  | 0.009.4543.1 |    | head gasket mm 1.60 |
| 7  | 0.009.4543.2 | 4  | screw               |
| 8  | 0.009.4544.0 | 10 | screw               |
| 9  | 0.009.4544.1 | 10 | washer              |
| 10 | 0.009.4544.2 | 2  | screw               |
| 11 | 0.009.4545.0 | 1  | stud bolt           |
| 12 | 0.009.4545.1 | 1  | plug                |
| 13 | 0.009.4545.4 | 1  | complete cover      |
| 14 | 0.009.4546.0 | 1  | tube                |
| 15 | 0.009.4546.1 | 1  | plate               |
| 16 | 0.009.4546.2 | 1  | gasket              |
| 17 | 0.009.4547.0 | 2  | gasket              |
| 18 | 0.009.4547.1 | 2  | washer              |
| 19 | 0.009.4539.0 | 2  | nut                 |
| 20 | 0.009.4547.2 | 1  | tube                |
| 21 | 0.009.4548.0 | 1  | plug                |

Section: ENGINE  
**LUBRICATION**



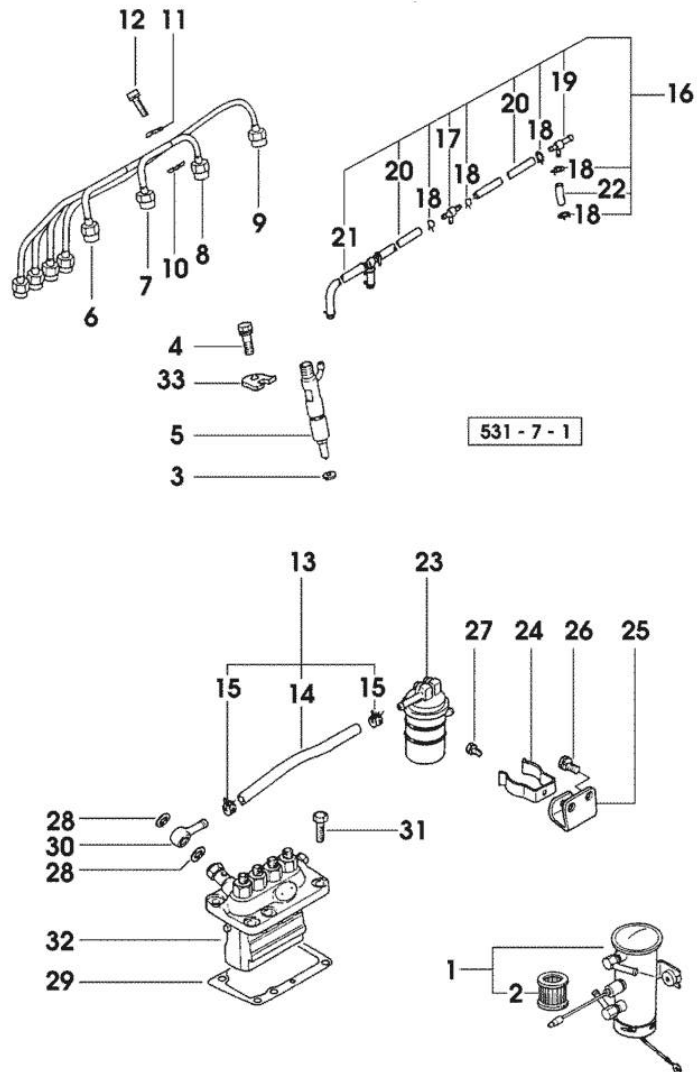
| Fig. | P/n | QTY | Name |
|------|-----|-----|------|
|------|-----|-----|------|

Notes:  
 [SOLARIS 35]

|    |              |    |                            |
|----|--------------|----|----------------------------|
| 1  | 0.009.4626.4 | 1  | oil pump                   |
| 2  | 0.009.4626.0 | 2  | pin                        |
| 3  | 0.009.4540.1 | 1  | gasket                     |
| 4  | 0.009.4626.1 | 1  | pin seat                   |
| 5  | 0.009.4627.0 | 1  | plug                       |
| 6  | 0.009.4627.3 | 1  | impeller                   |
| 7  | 0.009.4760.1 | 1  | special oil seal           |
| 8  | 0.009.4628.0 | 1  | spring                     |
| 9  | 0.000.0000.1 |    | cannot be supplied         |
| 10 | 0.009.4628.2 | 1  | cover                      |
| 11 | 0.009.4545.1 | 1  | plug                       |
| 12 | 0.009.4526.0 | 1  | plug                       |
| 13 | 0.009.4629.1 | 1  | gasket                     |
| 22 | 0.009.4632.1 | 3  | screw                      |
| 23 | 0.009.4632.2 | 1  | screw                      |
| 24 | 0.009.4633.6 | 1  | valve                      |
| 25 | 0.009.4633.4 | 1  | oil pump                   |
| 26 | 0.009.4633.3 | 1  | level indicator            |
| 27 | 0.009.4634.0 | 1  | self-locking nut           |
| 28 | 0.009.4634.1 | 1  | gasket                     |
| 29 | 0.009.4634.2 | 1  | switch                     |
| 30 | 0.009.4794.1 | 1  | oil filter element         |
| 31 | 0.009.4540.4 | 1  | oil sump<br>- X 35HP       |
| 31 | 0.009.4760.2 | 1  | oil sump<br>- X 25HP       |
| 32 | 0.009.4540.1 | 1  | gasket                     |
| 33 | 0.009.4541.0 | 1  | plug                       |
| 34 | 0.009.4541.1 | 1  | gasket Ø mm 38<br>- X 35HP |
| 34 | 0.009.4761.0 | 1  | gasket<br>- X 25HP         |
| 35 | 0.009.4530.1 | 15 | screw<br>- X 25HP          |

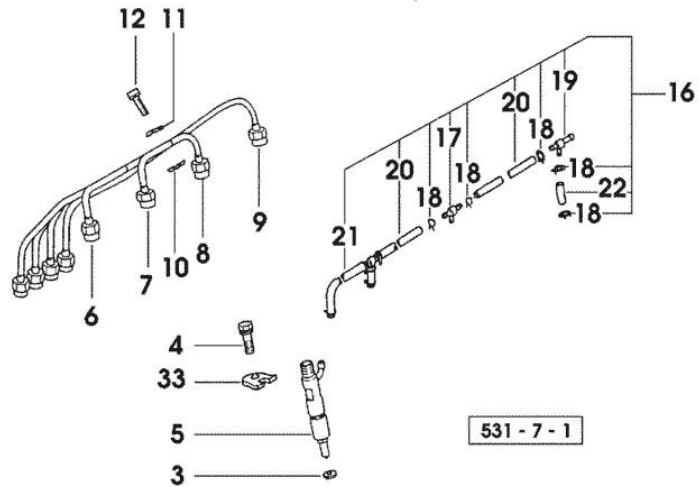
Section: ENGINE

**FUEL SUPPLY SYSTEM**

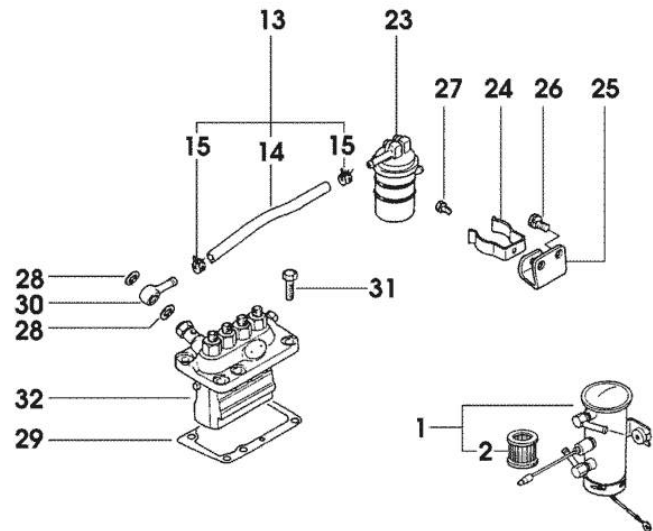


| Fig.          | P/n          | QTY | Name                            |
|---------------|--------------|-----|---------------------------------|
| <b>Notes:</b> |              |     |                                 |
| [SOLARIS 35]  |              |     |                                 |
| 1             | 0.008.6957.4 | 1   | feed pump<br>☞ 0.008.6957.4     |
| 2             | 0.009.4683.0 | 1   | fuel filter element             |
| 3             | 0.009.4568.1 | 4   | gasket                          |
| 4             | 0.009.4568.2 | 4   | screw                           |
| 5             | 0.009.4569.4 | 4   | injector assembly<br>☞ 01.00.83 |
| 6             | 0.009.4569.1 | 1   | tube                            |
| 7             | 0.009.4569.2 | 1   | tube                            |
| 8             | 0.009.4570.0 | 1   | tube                            |
| 9             | 0.009.4570.1 | 1   | tube                            |
| 10            | 0.009.4570.2 | 3   | clamp                           |
| 11            | 0.009.4571.0 | 3   | clamp                           |
| 12            | 0.009.4571.1 | 3   | screw                           |
| 13            | 0.009.4571.4 | 1   | tube<br>- X 35HP                |
| 13            | 0.009.4785.4 | 1   | tube<br>- X 42HP                |
| 14            | 0.009.4572.0 | 1   | tube<br>- X 35HP                |
| 14            | 0.009.4785.0 | 1   | tube<br>- X 42HP                |
| 15            | 0.009.4572.1 | 2   | clamp                           |
| 16            | 0.009.4572.4 | 1   | tube                            |
| 17            | 0.009.4573.0 | 2   | joint                           |
| 18            | 0.009.4573.1 | 8   | clamp                           |
| 19            | 0.009.4573.2 | 1   | joint                           |
| 20            | 0.009.4574.0 | 2   | rubber tube                     |
| 21            | 0.009.4574.1 | 1   | rubber tube                     |
| 22            | 0.009.4574.2 | 3   | rubber tube                     |
| 23            | 0.009.4575.0 | 1   | fuel filter element<br>- X 35HP |
| 23            | 0.009.4784.1 | 1   | fuel filter element<br>- X 42HP |
| 24            | 0.009.4575.1 | 1   | clamp                           |
| 25            | 0.009.4575.2 | 1   | support                         |
| 26            | 0.009.4530.1 | 2   | screw                           |
| 27            | 0.009.4576.0 | 1   | screw                           |
| 28            | 0.009.4576.1 | 2   | gasket                          |
| 29            | 0.009.4576.2 | 1   | shim mm 0.20                    |
| 29            | 0.009.4577.0 | 1   | shim mm 0.3                     |

**FUEL SUPPLY SYSTEM**



| Fig. | P/n          | QTY | Name                                    |
|------|--------------|-----|---|
| 29   | 0.009.4577.1 | 1   | shim mm 0.4                             |
| 29   | 0.009.4577.2 | 1   | shim mm 0.50                            |
| 29   | 0.009.4578.0 | 1   | shim mm 0.6                             |
| 29   | 0.009.4578.1 | 1   | shim mm 0.7                             |
| 29   | 0.009.4578.2 | 1   | shim mm 0.8                             |
| 29   | 0.009.4579.0 | 1   | shim mm 0.9                             |
| 29   | 0.009.4579.1 | 1   | shim mm 1.0                             |
| 30   | 0.009.4579.2 | 1   | pipe fitting                            |
| 31   | 0.009.4580.0 | 6   | screw                                   |
| 32   | 0.009.4580.4 | 1   | injector pump<br>- X 35HP<br>☞ 01.00.68 |
| 32   | 0.009.4784.4 | 1   | injector pump<br>- X 42HP<br>☞ 01.00.75 |
| 33   | 0.009.4568.0 | 4   | support                                 |



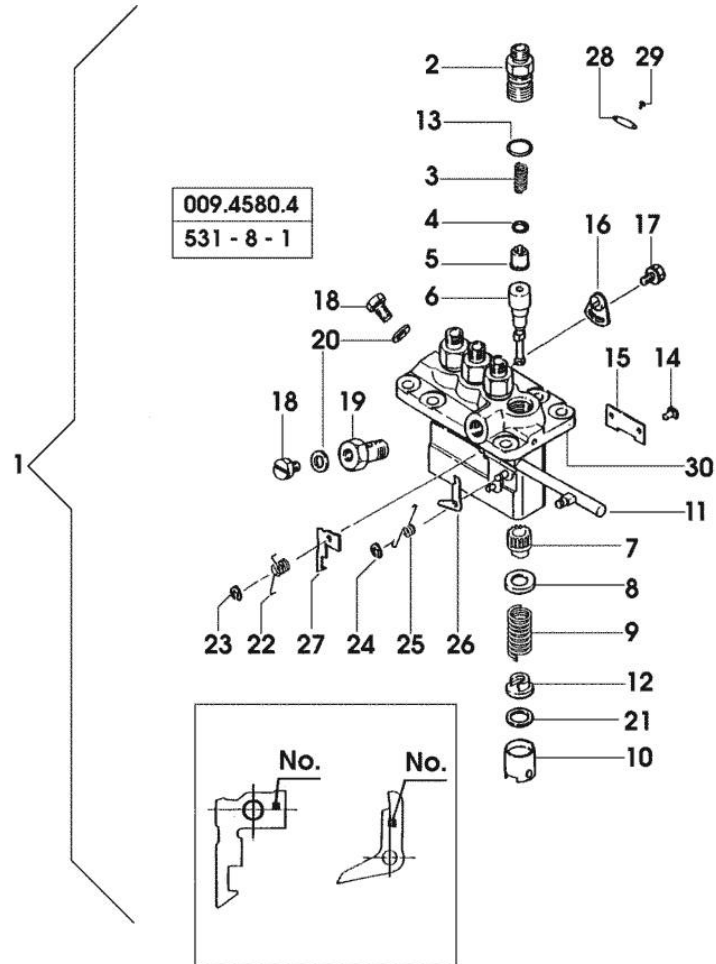


Section: ENGINE

**INJECTION PUMP PARTS**

| Fig. | P/n | QTY | Name |
|------|-----|-----|------|
|------|-----|-----|------|

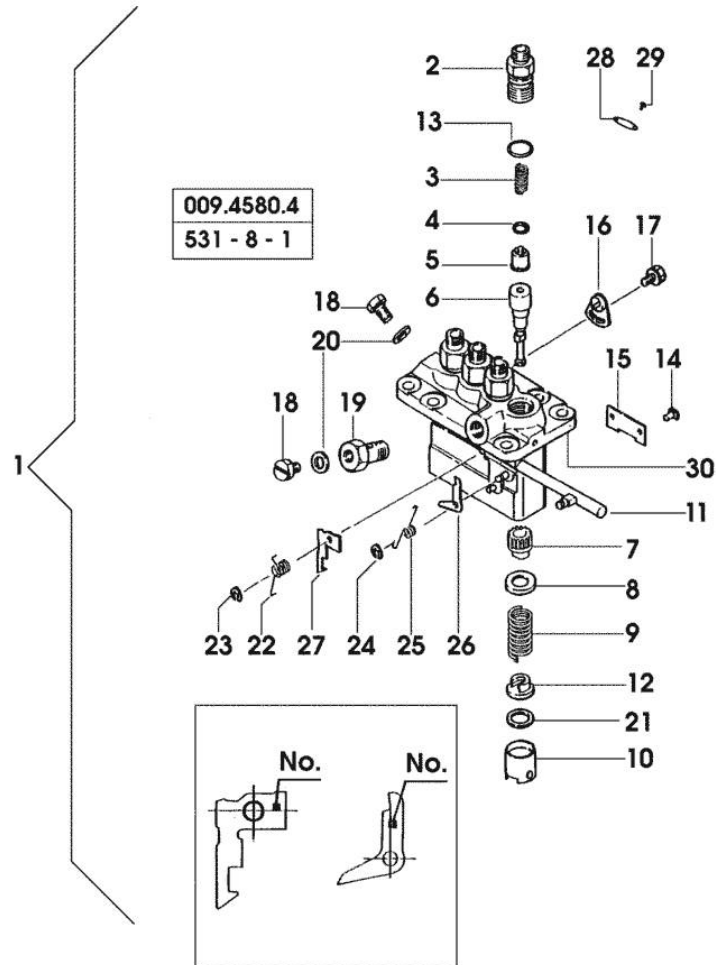
Notes:  
[SOLARIS 35]



|    |              |   |                 |
|----|--------------|---|-----------------|
| 1  | 0.009.4580.4 | 1 | injector pump   |
| 2  | 0.009.4581.0 | 4 | pipe fitting    |
| 3  | 0.009.4581.1 | 4 | spring          |
| 4  | 0.009.4581.2 | 4 | gasket          |
| 5  | 0.009.4582.0 | 4 | valve           |
| 6  | 0.009.4582.1 | 4 | pumping element |
| 7  | 0.009.4582.2 | 4 | sleeve          |
| 8  | 0.009.4583.0 | 4 | valve seat      |
| 9  | 0.009.4583.1 | 4 | spring          |
| 10 | 0.009.4583.2 | 4 | tappets         |
| 11 | 0.009.4584.0 | 1 | ratchet         |
| 12 | 0.009.4584.1 | 4 | valve seat      |
| 13 | 0.009.4584.2 | 4 | ring            |
| 14 | 0.009.4585.0 | 4 | pin             |
| 15 | 0.009.4585.1 | 2 | small plate     |
| 16 | 0.009.4585.2 | 3 | small plate     |
| 17 | 0.009.4586.0 | 3 | screw           |
| 18 | 0.009.4586.1 | 2 | screw           |
| 19 | 0.009.4586.2 | 1 | pipe fitting    |
| 20 | 0.009.4587.0 | 2 | washer          |
| 21 | 0.009.4587.1 | 4 | shim mm 0.60    |
| 21 | 0.009.4587.2 | 4 | shim mm 0.20    |
| 21 | 0.009.4588.0 | 4 | shim mm 0.30    |
| 21 | 0.009.4588.1 | 4 | shim mm 0.40    |
| 21 | 0.009.4588.2 | 4 | shim mm 0.5     |
| 21 | 0.009.4589.0 | 4 | shim mm 0.25    |
| 21 | 0.009.4589.1 | 4 | shim mm 0.35    |
| 21 | 0.009.4589.2 | 4 | shim mm 0.45    |
| 21 | 0.009.4590.0 | 4 | shim mm 0.55    |
| 21 | 0.009.4590.1 | 4 | shim mm 0.65    |
| 22 | 0.009.4590.2 | 1 | spring          |
| 23 | 0.009.4591.0 | 1 | ring            |
| 24 | 0.009.4591.1 | 1 | ring            |
| 25 | 0.009.4591.2 | 1 | spring          |
| 26 | 0.009.4592.0 | 1 | plate 6, d128   |
| 26 | 0.009.4592.1 | 1 | plate 7         |
| 26 | 0.009.4592.2 | 1 | plate 8         |
| 26 | 0.009.4593.0 | 1 | plate 9         |
| 26 | 0.009.4593.1 | 1 | plate 10        |
| 26 | 0.009.4593.2 | 1 | plate 11        |
| 26 | 0.009.4594.0 | 1 | plate 12        |

Section: ENGINE

**INJECTION PUMP PARTS**



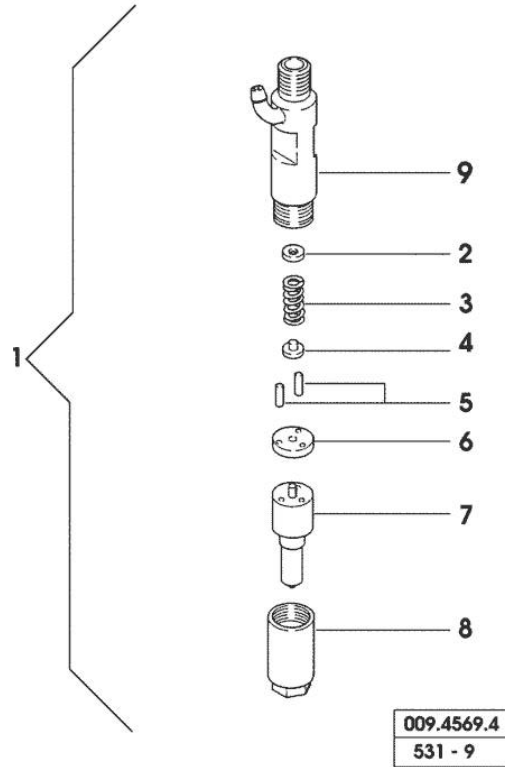
| Fig. | P/n          | QTY | Name               |
|------|--------------|-----|--------------------|
| 27   | 0.009.4594.1 | 1   | plate 66           |
| 27   | 0.009.4594.2 | 1   | plate 67           |
| 27   | 0.009.4595.0 | 1   | plate 68           |
| 27   | 0.009.4595.1 | 1   | plate 69           |
| 27   | 0.009.4595.2 | 1   | plate 70           |
| 27   | 0.009.4596.0 | 1   | plate 71           |
| 27   | 0.009.4596.1 | 1   | plate 72           |
| 27   | 0.009.4596.2 | 1   | plate 73           |
| 27   | 0.009.4597.0 | 1   | plate 74           |
| 27   | 0.009.4597.1 | 1   | plate 75           |
| 27   | 0.009.4597.2 | 1   | plate 76           |
| 27   | 0.009.4598.0 | 1   | plate 77           |
| 27   | 0.009.4598.1 | 1   | plate 78           |
| 27   | 0.009.4598.2 | 1   | plate 79           |
| 27   | 0.009.4599.0 | 1   | plate 80           |
| 28   | 0.009.4599.1 | 1   | plate              |
| 29   | 0.009.4599.2 | 2   | rivet              |
| 30   | 0.000.0000.1 |     | cannot be supplied |

**INJECTOR NOZZLE HOLDER COMPONENTS**

| Fig. | P/n | QTY | Name |
|------|-----|-----|------|
|------|-----|-----|------|

**Notes:**

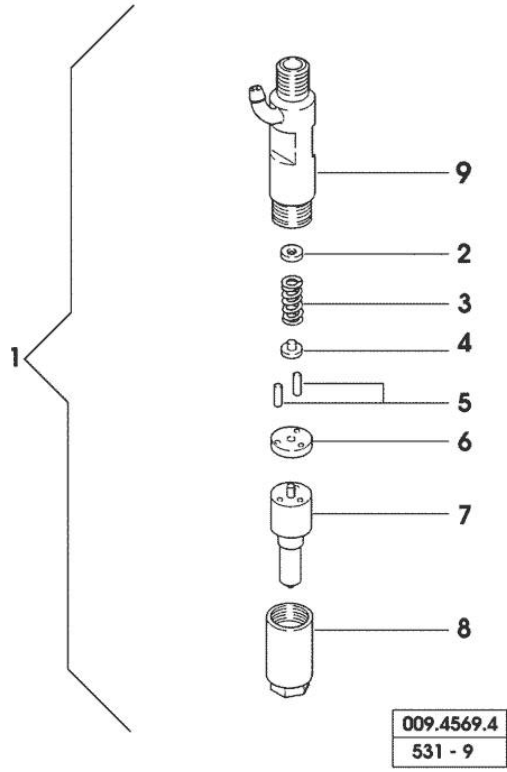
[SOLARIS 35]



|   |              |   |                   |
|---|--------------|---|-------------------|
| 1 | 0.009.4569.4 | 1 | injector assembly |
| 2 | 0.009.4600.1 |   | washer mm 1.00    |
| 2 | 0.009.4600.2 |   | washer mm 1.05    |
| 2 | 0.009.4601.0 |   | washer mm 1.10    |
| 2 | 0.009.4601.1 |   | washer mm 1.15    |
| 2 | 0.009.4601.2 |   | washer mm 1.20    |
| 2 | 0.009.4602.0 |   | washer mm 1.25    |
| 2 | 0.009.4602.1 |   | washer mm 1.30    |
| 2 | 0.009.4602.2 |   | washer mm 1.35    |
| 2 | 0.009.4603.0 |   | washer mm 1.40    |
| 2 | 0.009.4603.1 |   | washer mm 1.45    |
| 2 | 0.009.4603.2 |   | washer mm 1.50    |
| 2 | 0.009.4604.0 |   | washer mm 1.55    |
| 2 | 0.009.4604.1 |   | washer mm 1.60    |
| 2 | 0.009.4604.2 |   | washer mm 1.65    |
| 2 | 0.009.4605.0 |   | washer mm 1.70    |
| 2 | 0.009.4605.1 |   | washer mm 1.75    |
| 2 | 0.009.4605.2 |   | washer mm 1.80    |
| 2 | 0.009.4606.0 |   | washer mm 1.85    |
| 2 | 0.009.4606.1 |   | washer mm 1.90    |
| 2 | 0.009.4606.2 |   | washer mm 1.95    |
| 2 | 0.009.4607.0 |   | washer mm 2.00    |
| 2 | 0.009.4607.1 |   | washer mm 2.05    |
| 2 | 0.009.4607.2 |   | washer mm 2.10    |
| 2 | 0.009.4608.0 |   | washer mm 2.15    |
| 2 | 0.009.4608.1 |   | washer mm 1.275   |
| 2 | 0.009.4608.2 |   | washer mm 1.325   |
| 2 | 0.009.4609.0 |   | washer mm 1.375   |
| 2 | 0.009.4609.1 |   | washer mm 1.425   |
| 2 | 0.009.4609.2 |   | washer mm 1.475   |
| 2 | 0.009.4610.0 |   | washer mm 1.525   |
| 2 | 0.009.4610.1 |   | washer mm 1.575   |
| 2 | 0.009.4610.2 |   | washer mm 1.625   |
| 2 | 0.009.4611.0 |   | washer mm 1.675   |
| 2 | 0.009.4611.1 |   | washer mm 1.725   |
| 2 | 0.009.4611.2 |   | washer mm 1.775   |
| 2 | 0.009.4612.0 |   | washer mm 0.95    |
| 3 | 0.009.4612.1 | 1 | spring            |
| 4 | 0.009.4612.2 | 1 | pin               |
| 5 | 0.009.4613.0 | 2 | pin               |
| 6 | 0.009.4613.1 | 1 | gasket            |

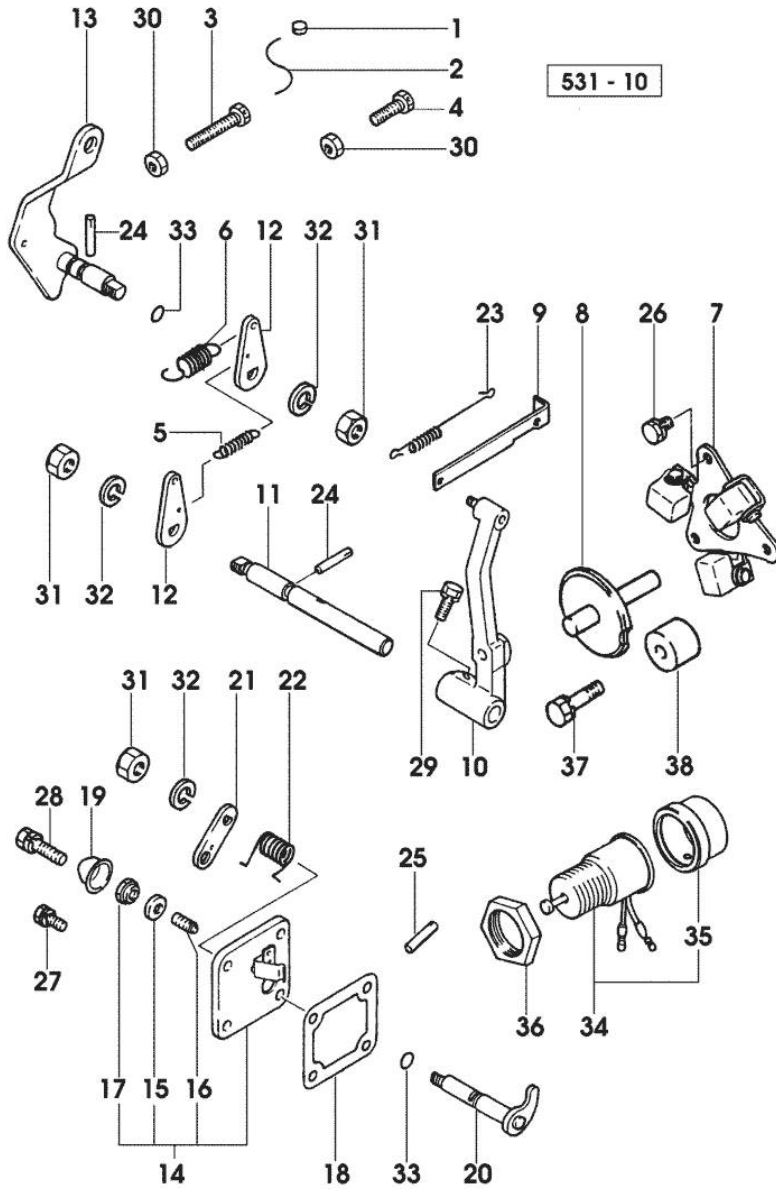
**INJECTOR NOZZLE HOLDER COMPONENTS**

| Fig. | P/n          | QTY | Name               |
|------|--------------|-----|--------------------|
| 7    | 0.009.4613.2 | 1   | nozzle             |
| 8    | 0.009.4614.0 | 1   | nut                |
| 9    | 0.000.0000.1 |     | cannot be supplied |



Section: ENGINE

**GOVERNOR PARTS**



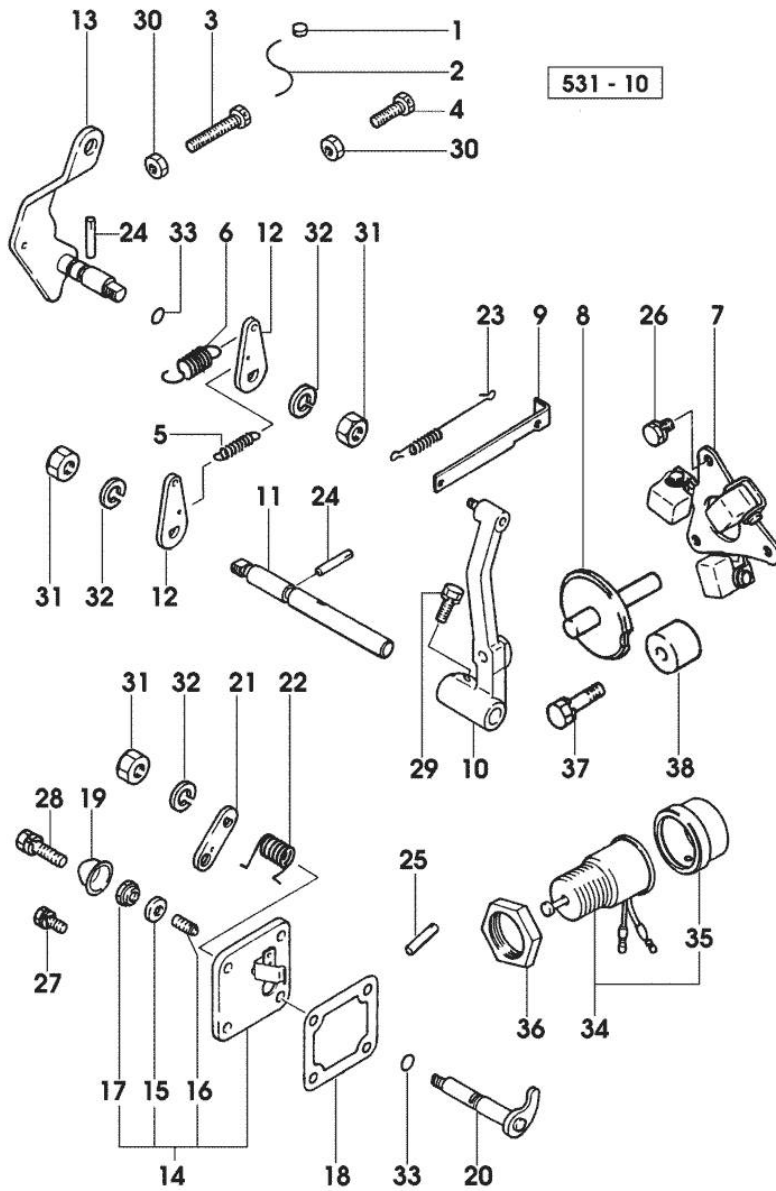
| Fig. | P/n | QTY | Name |
|------|-----|-----|------|
|------|-----|-----|------|

Notes:  
[SOLARIS 35]

|    |              |   |                                       |
|----|--------------|---|---------------------------------------|
| 1  | 0.009.4614.1 | 1 | needle                                |
| 2  | 0.009.4614.2 | 1 | steel wire                            |
| 3  | 0.009.4615.0 | 1 | screw                                 |
| 4  | 0.009.4615.1 | 1 | screw                                 |
| 5  | 0.009.4615.2 | 1 | spring                                |
| 5  | 0.009.4787.2 | 1 | spring<br>- X 25HP - 35HP<br>- X 42HP |
| 6  | 0.009.4616.0 | 1 | spring                                |
| 7  | 0.009.4616.1 | 1 | counterweight                         |
| 8  | 0.009.4616.2 | 1 | shaft                                 |
| 8  | 0.009.4788.0 | 1 | shaft<br>- X 25HP - 35HP<br>- X 42HP  |
| 9  | 0.009.4617.0 | 1 | rod                                   |
| 10 | 0.009.4617.1 | 1 | lever                                 |
| 11 | 0.009.4617.2 | 1 | shaft                                 |
| 12 | 0.009.4618.0 | 2 | lever                                 |
| 13 | 0.009.4618.1 | 1 | lever<br>- X 25HP - 35HP              |
| 13 | 0.009.4788.1 | 1 | lever<br>- X 42HP                     |
| 14 | 0.009.4618.4 | 1 | rod                                   |
| 15 | 0.009.4619.0 | 1 | gasket                                |
| 16 | 0.009.4619.1 | 1 | screw                                 |
| 17 | 0.009.4619.2 | 1 | nut                                   |
| 18 | 0.009.4620.0 | 1 | gasket                                |
| 19 | 0.009.4620.1 | 1 | cover                                 |
| 20 | 0.009.4620.2 | 1 | lever                                 |
| 21 | 0.009.4621.0 | 1 | lever                                 |
| 22 | 0.009.4621.1 | 1 | spring                                |
| 23 | 0.009.4621.2 | 1 | spring                                |
| 24 | 0.009.4622.0 | 2 | pin                                   |
| 25 | 0.009.4622.1 | 1 | pin                                   |
| 26 | 0.009.4622.2 | 3 | screw<br>- X 25HP - 35HP              |
| 27 | 0.009.4623.0 | 3 | screw                                 |
| 28 | 0.009.4623.1 | 1 | screw                                 |
| 29 | 0.009.4623.2 | 1 | screw                                 |
| 30 | 0.009.4624.0 | 2 | nut                                   |
| 31 | 0.009.4624.1 | 3 | self-locking nut                      |

Section: ENGINE

**GOVERNOR PARTS**



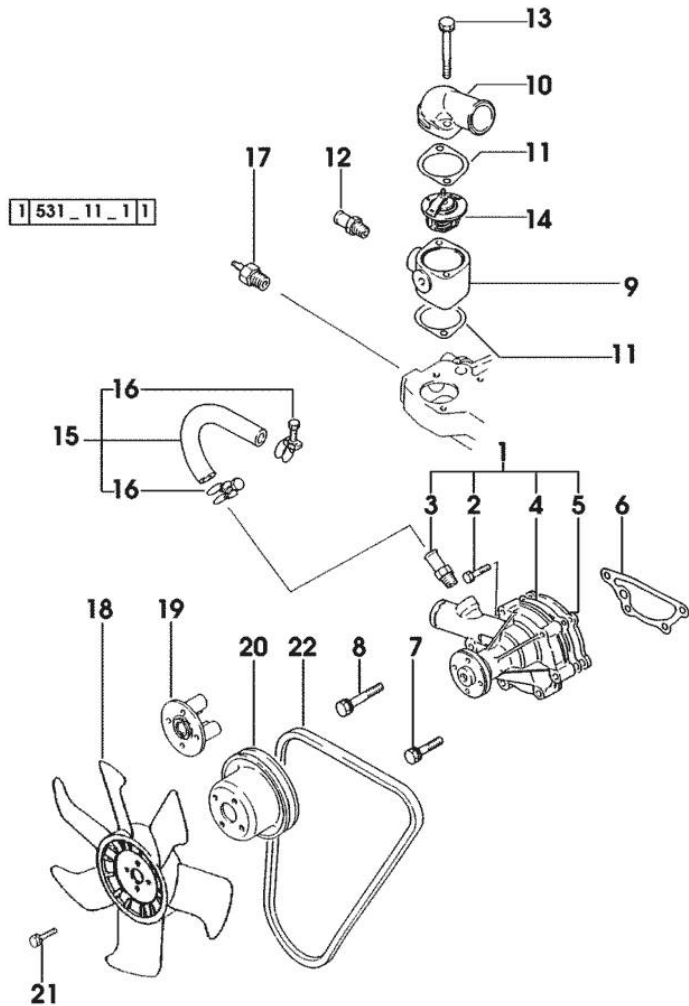
| Fig. | P/n          | QTY | Name               |
|------|--------------|-----|--------------------|
| 32   | 0.009.4539.2 | 3   | spring washer      |
| 33   | 0.009.4624.2 | 2   | ring               |
| 34   | 0.009.4771.4 | 1   | solenoid valve     |
| 35   | 0.009.4771.0 | 1   | plug               |
| 36   | 0.009.4625.1 | 1   | nut                |
| 37   | 0.009.4787.0 | 1   | screw              |
| 38   | 0.009.4787.1 | 1   | spacer<br>- X 42HP |

**COOLING**

| Fig. | P/n | QTY | Name |
|------|-----|-----|------|
|------|-----|-----|------|

**Notes:**

[SOLARIS 35]



|    |              |   |               |
|----|--------------|---|---------------|
| 1  | 0.009.4635.4 | 1 | water pump    |
| 2  | 0.009.4635.2 | 2 | screw         |
| 3  | 0.009.4636.0 | 1 | pipe fitting  |
| 4  | 0.009.4636.1 | 1 | gasket        |
| 5  | 0.009.4636.2 | 1 | plate         |
| 6  | 0.009.4637.0 | 1 | gasket        |
| 7  | 0.009.4637.1 | 3 | screw         |
| 8  | 0.009.4637.2 | 1 | screw         |
| 9  | 0.009.4638.0 | 1 | valve body    |
| 10 | 0.009.4638.1 | 1 | pipe fitting  |
| 11 | 0.009.4638.2 | 2 | gasket        |
| 12 | 0.009.4636.0 | 1 | pipe fitting  |
| 13 | 0.009.4639.0 | 2 | screw         |
| 14 | 0.009.4639.1 | 1 | thermostat    |
| 15 | 0.009.4639.4 | 1 | flexible hose |
| 16 | 0.009.4640.0 | 2 | clamp         |
| 17 | 0.009.4640.1 | 1 | thermostat    |
| 18 | 0.009.4772.2 | 1 | fan           |
| 19 | 0.009.4641.0 | 1 | spacer        |
| 20 | 0.009.4641.1 | 1 | pulley        |
| 21 | 0.009.4641.2 | 4 | screw         |
| 22 | 0.009.4642.0 | 1 | belt          |

Thank you so much for reading.  
Please click the “Buy Now!”  
button below to download the  
complete manual.



After you pay.

You can download the most  
perfect and complete manual in  
the world immediately.

Our support email:

[ebooklibonline@outlook.com](mailto:ebooklibonline@outlook.com)