

Section: ENGINE

CRANKCASE

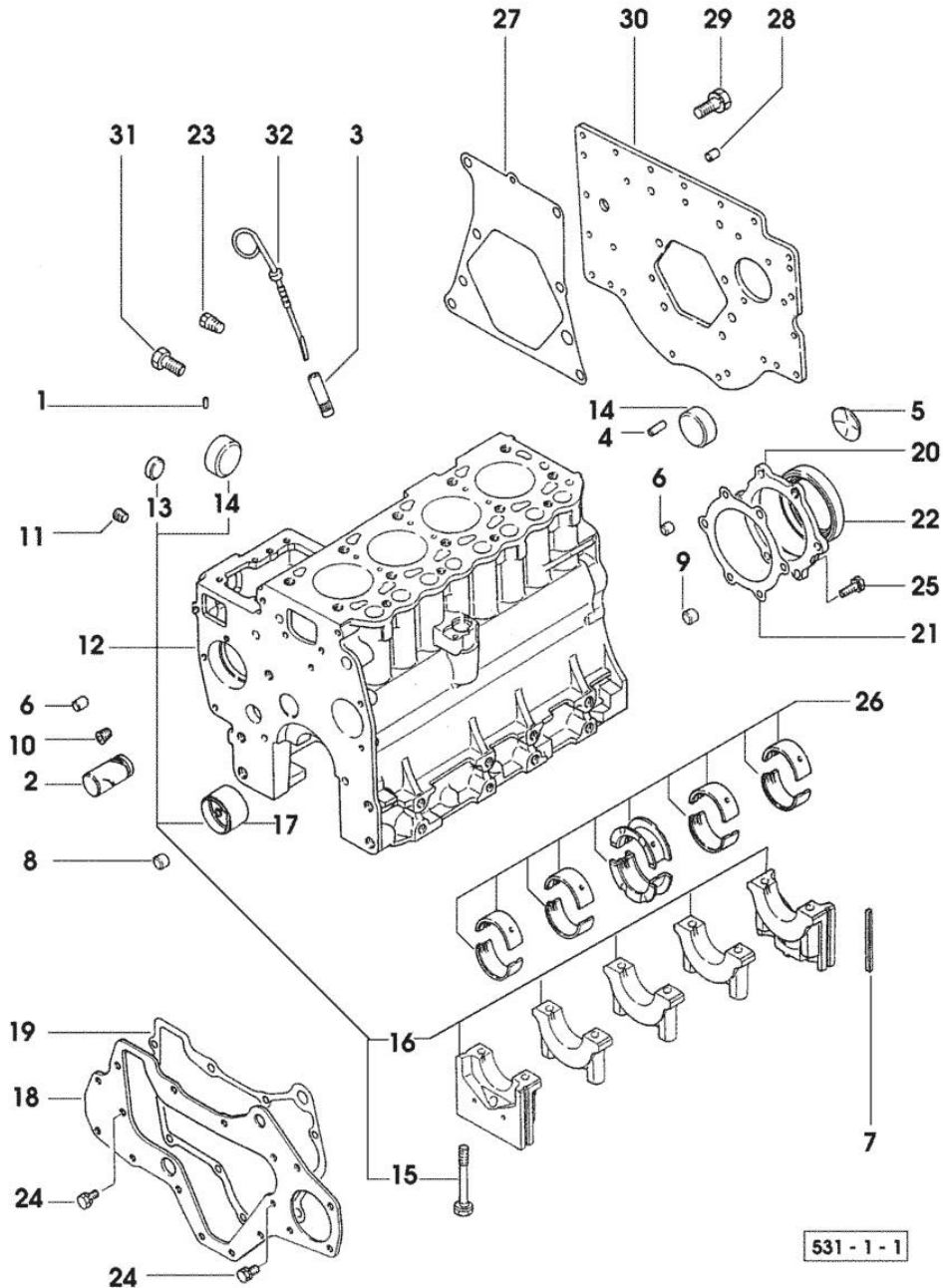


Fig.	P/n	QTY	Name
------	-----	-----	------

Notes:
[SOLARIS 45]

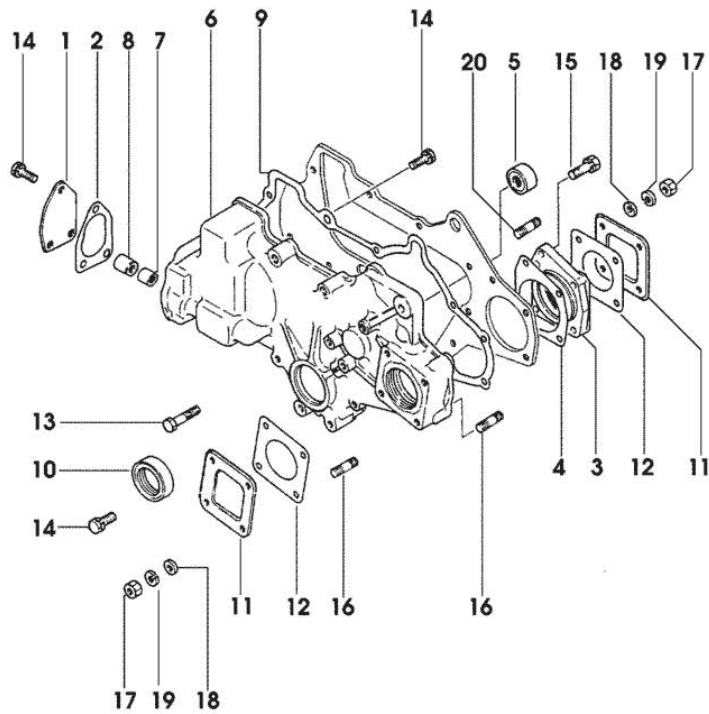
1	0.009.4523.0	2	pin
2	0.009.4523.1	1	shaft
3	0.009.4523.2	1	guide
4	0.009.4524.0	1	pin
5	0.009.4524.1	1	expansion plug
6	0.009.4524.2	2	special bushing
7	0.009.4525.0	4	gasket
8	0.009.4525.1	2	special bushing
9	0.009.4525.2	1	special bushing
10	0.009.4526.0	1	plug
11	0.009.4526.1	2	plug
12	0.009.4526.4	1	crankcase - X 35HP
12	0.009.4778.4	1	crankcase - X 42HP
13	0.009.4527.0	2	plug
14	0.009.4527.1	3	plug
15	0.009.4527.2	10	screw
16	0.000.0000.1		cannot be supplied
17	0.009.4528.0	1	special bushing
18	0.009.4528.1	1	plate
19	0.009.4528.2	1	gasket
20	0.009.4529.0	1	flange
21	0.009.4529.1	1	gasket
22	0.009.4529.2	1	special oil seal
23	0.009.4530.0	1	plug
24	0.009.4530.1	3	screw
25	0.009.4530.2	6	screw
26	0.009.4531.0	1	main half bushing STANDARD
26	0.009.4531.1	1	main half bushing - mm 0.25
26	0.009.4531.2	1	main half bushing - mm 0.50
26	0.009.4532.0	1	main half bushing - mm 0.75
27	0.009.4532.1	1	gasket
28	0.009.4532.2	1	pin
29	0.009.4533.0	6	screw
30	0.008.6506.0/40	1	plate
31	0.009.4533.1	4	screw
32	0.009.4533.2	1	level indicator

Section: ENGINE
TIMING CASE

Fig.	P/n	QTY	Name
------	-----	-----	------

Notes:
[SOLARIS 45]

1	0.009.4534.0	1	cover
2	0.009.4534.1	1	gasket
3	0.009.4534.2	1	flange
4	0.009.4535.0	1	gasket
5	0.009.4535.1	1	plug
6	0.009.4535.2	1	distr. box
7	0.009.4536.0	1	special bearing
8	0.009.4536.1	1	special bearing
9	0.009.4536.2	1	gasket
10	0.009.4537.0	1	gasket
11	0.009.4537.1	2	cover
12	0.009.4537.2	2	gasket
13	0.009.4538.0	8	screw
14	0.009.4530.1	5	screw
15	0.009.4538.1	1	screw
16	0.009.4538.2	5	stud bolt
17	0.009.4539.0	8	nut
18	0.009.4539.1	8	flat washer
19	0.009.4539.2	8	spring washer
20	0.009.4540.0	3	stud bolt



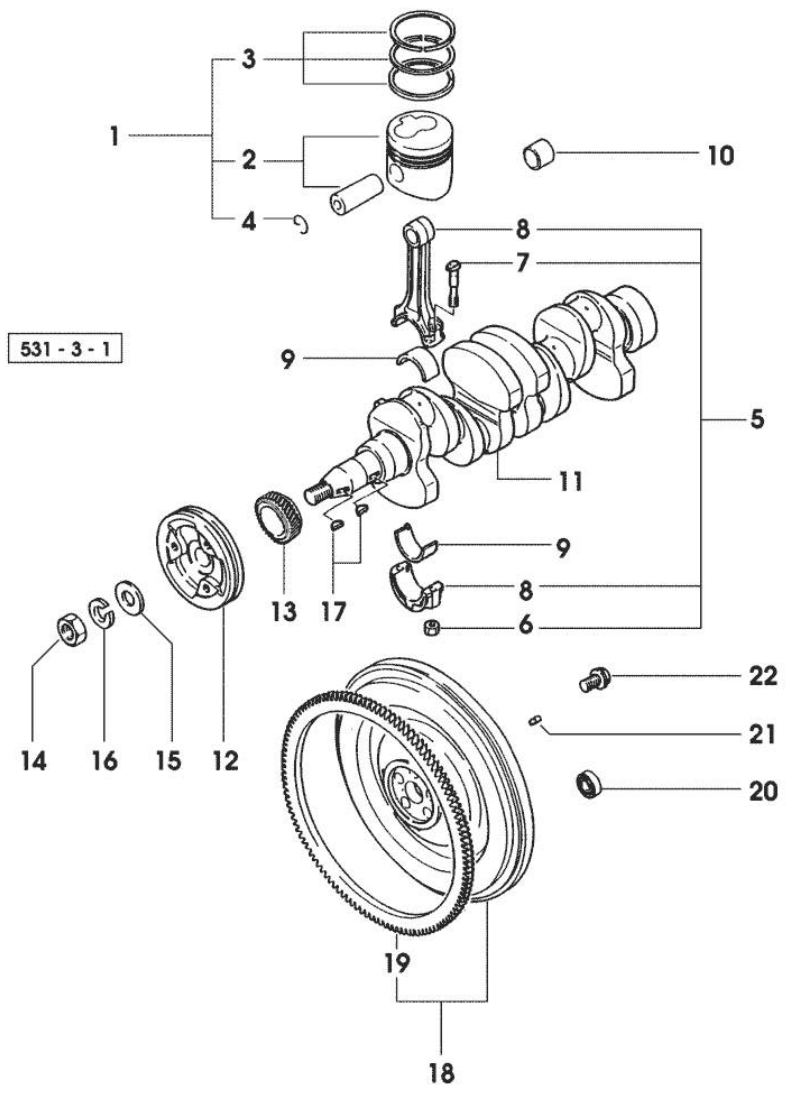
531 - 2 - 1

Section: ENGINE
CRANKSHAFT

Fig.	P/n	QTY	Name
------	-----	-----	------

Notes:
 [SOLARIS 45]

1	0.367.0060.6	4	complete piston STANDARD
1	0.367.0061.6	4	complete piston + mm 0.25
1	0.367.0062.6	4	complete piston + mm 0.50
2	0.000.0000.1		cannot be supplied
3	0.367.0052.6	4	piston ring set STANDARD
3	0.367.0053.6	4	piston ring set + mm 0.25
3	0.367.0054.6	4	piston ring set + mm 0.50
4	0.009.4782.0	8	circlip
5	0.009.4783.4	4	engine connecting rod
6	0.009.4783.0	8	nut
7	0.009.4783.1	8	screw
8	0.000.0000.1		cannot be supplied
9	0.009.4782.1	4	con.rod half bushing STANDARD
10	0.009.4553.0	4	special bushing
11	0.009.4782.2	1	crankshaft
12	0.009.4553.2	1	pulley
13	0.009.4554.0	1	gear
14	0.009.4554.1	1	nut
15	0.009.4554.2	1	flat washer
16	0.009.4555.0	1	spring washer
17	0.009.4555.1	2	key
18	0.009.4844.4	1	flywheel
19	0.009.4556.0	1	crown wheel
20	0.009.4556.1	1	special bearing
21	0.009.4556.2	3	pin
22	0.009.4557.0	5	screw



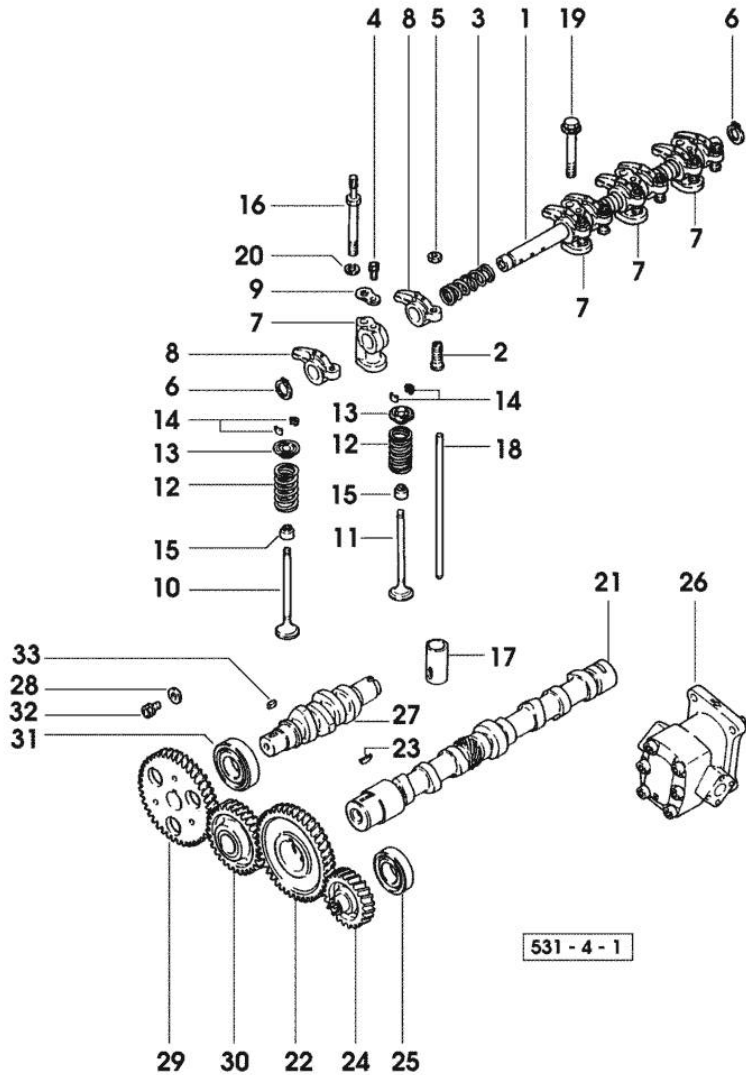
Section: ENGINE

CAMSHAFT

Fig.	P/n	QTY	Name
------	-----	-----	------

Notes:
[SOLARIS 45]

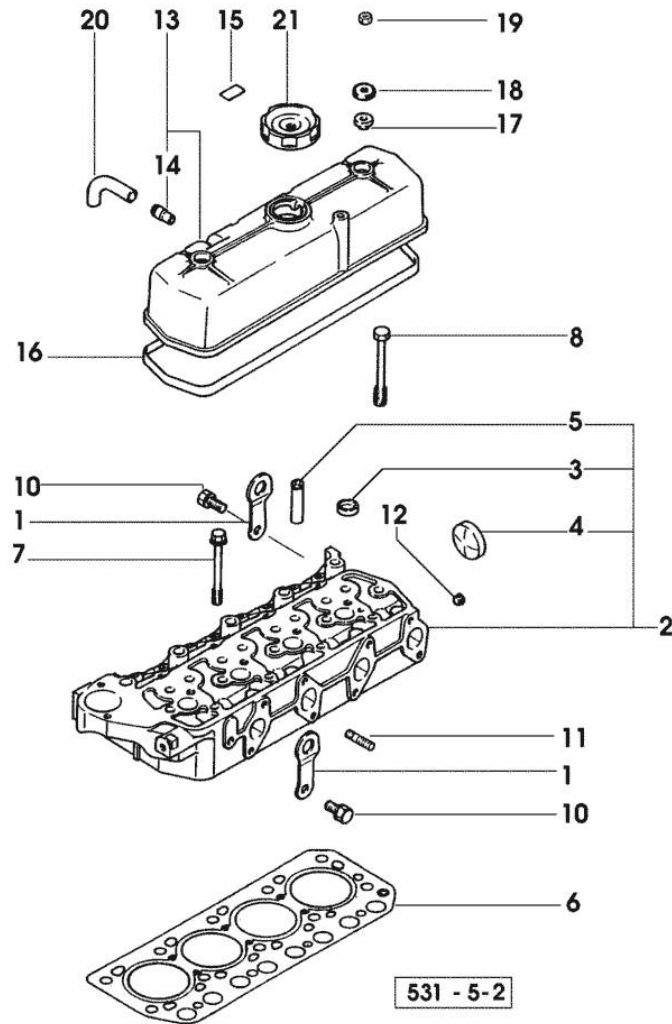
1	0.009.4557.1	1	shaft
2	0.009.4557.2	8	screw
3	0.009.4558.0	3	spring
4	0.009.4558.1	2	screw
5	0.009.4558.2	8	self-locking nut
6	0.009.4559.0	2	ring
7	0.009.4559.1	4	support
8	0.009.4559.2	8	rocker arm
9	0.009.4560.0	2	washer
10	0.009.4560.1	4	inlet valve Ø mm 6.5
11	0.009.4560.2	4	exhaust valve Ø mm 6.5
12	0.009.4561.0	8	spring
13	0.009.4561.1	8	cup
14	0.009.4561.2	16	stop
15	0.009.4562.0	8	gasket
16	0.009.4562.1	2	screw
17	0.009.4562.2	8	tappets
18	0.009.4563.0	8	rod
19	0.009.4563.1	2	screw
20	0.009.4563.2	2	washer
21	0.009.4564.0	1	camshaft
22	0.009.4564.1	1	gear
23	0.009.4555.1	1	key
24	0.009.4564.2	1	gear
25	0.009.4565.0	2	special bearing
26	0.008.6956.4	1	oil pump - X 35HP
26	0.009.4784.0	1	oil pump - X 42HP
27	0.009.4565.2	1	injection pump shaft
28	0.009.4566.0	1	washer
29	0.009.4566.1	1	gear
30	0.009.4566.2	1	gear
31	0.009.4567.0	1	special bearing
32	0.009.4567.1	1	screw
33	0.009.4567.2	1	stick



Section: ENGINE
CYLINDER HEAD

Fig.	P/n	QTY	Name
------	-----	-----	------

Notes:
 [SOLARIS 45]



1	0.009.4541.2	2	bracket
2	0.009.4779.4	1	engine head
3	0.009.4527.0	4	plug
4	0.009.4527.1	1	plug
5	0.009.4779.0	8	valve guide
6	0.009.4780.0		gasket mm 1.40
6	0.009.4780.1		gasket mm 1.53
6	0.009.4780.2		gasket mm 1.60
7	0.009.4543.2	4	screw
8	0.009.4759.1	10	screw
10	0.009.4544.2	2	screw
11	0.009.4545.0	1	stud bolt
12	0.009.4545.1	1	plug
13	0.009.4545.4	1	complete cover
14	0.009.4546.0	1	tube
15	0.009.4546.1	1	plate
16	0.009.4546.2	1	gasket
17	0.009.4547.0	2	gasket
18	0.009.4547.1	2	washer
19	0.009.4539.0	2	nut
20	0.009.4781.2	1	tube
21	0.009.4548.0	1	plug

Section: ENGINE
LUBRICATION

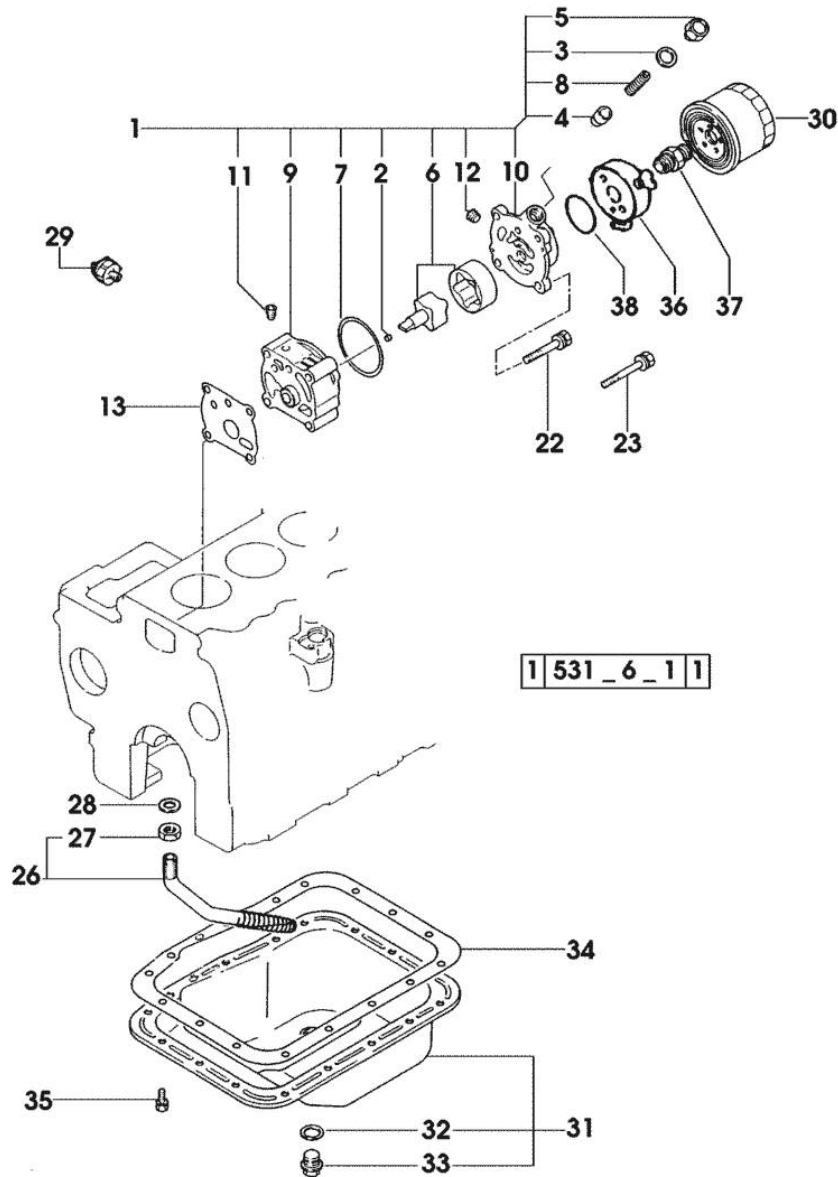


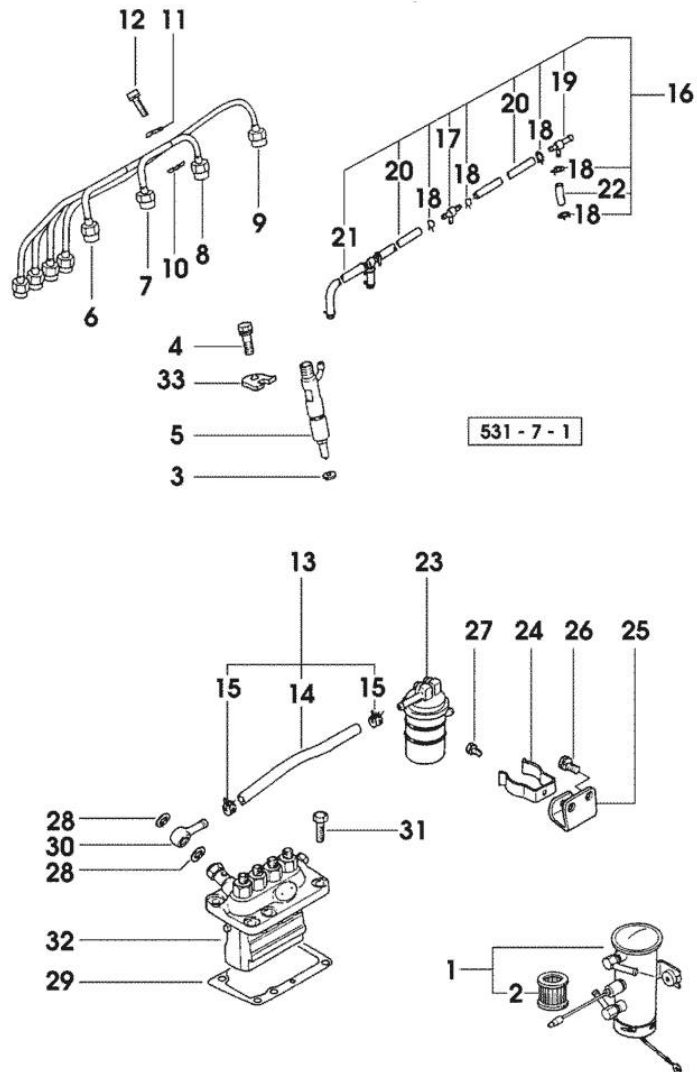
Fig.	P/n	QTY	Name
------	-----	-----	------

Notes:
[SOLARIS 45]

1	0.009.4792.4	1	oil pump
2	0.009.4792.1	2	pin
3	0.009.4540.1	1	gasket
4	0.009.4626.1	1	pin seat
5	0.009.4627.0	1	plug
6	0.009.4793.0	1	impeller
7	0.009.4760.1	1	special oil seal
8	0.009.4628.0	1	spring
9	0.000.0000.1		cannot be supplied
10	0.009.4793.1	1	cover
11	0.009.4545.1	1	plug
12	0.009.4792.0	1	plug
13	0.009.4629.1	1	gasket
22	0.009.4793.2	3	screw
23	0.009.4794.0	1	screw
26	0.009.4633.3	1	level indicator
27	0.009.4634.0	1	self-locking nut
28	0.009.4634.1	1	gasket
29	0.009.4634.2	1	switch
30	0.009.4794.1	1	oil filter element
31	0.009.4791.4	1	oil sump
32	0.009.4540.1	1	gasket
33	0.009.4541.0	1	plug
34	0.009.4541.1	1	gasket Ø mm 38
35	0.009.4530.1	17	screw
36	0.010.2201.0	1	oil cooler
37	0.010.2202.0	1	pipe fitting
38	0.010.2203.0	1	special oil seal

Section: ENGINE

FUEL SUPPLY SYSTEM



Notes:
[SOLARIS 45]

Fig.	P/n	QTY	Name
1	0.008.6957.4	1	feed pump ☞ 0.008.6957.4
2	0.009.4683.0	1	fuel filter element
3	0.009.4568.1	4	gasket
4	0.009.4568.2	4	screw
5	0.009.4569.4	4	injector assembly ☞ 01.00.83
6	0.009.4569.1	1	tube
7	0.009.4569.2	1	tube
8	0.009.4570.0	1	tube
9	0.009.4570.1	1	tube
10	0.009.4570.2	3	clamp
11	0.009.4571.0	3	clamp
12	0.009.4571.1	3	screw
13	0.009.4571.4	1	tube - X 35HP
13	0.009.4785.4	1	tube - X 42HP
14	0.009.4572.0	1	tube - X 35HP
14	0.009.4785.0	1	tube - X 42HP
15	0.009.4572.1	2	clamp
16	0.009.4572.4	1	tube
17	0.009.4573.0	2	joint
18	0.009.4573.1	8	clamp
19	0.009.4573.2	1	joint
20	0.009.4574.0	2	rubber tube
21	0.009.4574.1	1	rubber tube
22	0.009.4574.2	3	rubber tube
23	0.009.4575.0	1	fuel filter element - X 35HP
23	0.009.4784.1	1	fuel filter element - X 42HP
24	0.009.4575.1	1	clamp
25	0.009.4575.2	1	support
26	0.009.4530.1	2	screw
27	0.009.4576.0	1	screw
28	0.009.4576.1	2	gasket
29	0.009.4576.2	1	shim mm 0.20
29	0.009.4577.0	1	shim mm 0.3

FUEL SUPPLY SYSTEM

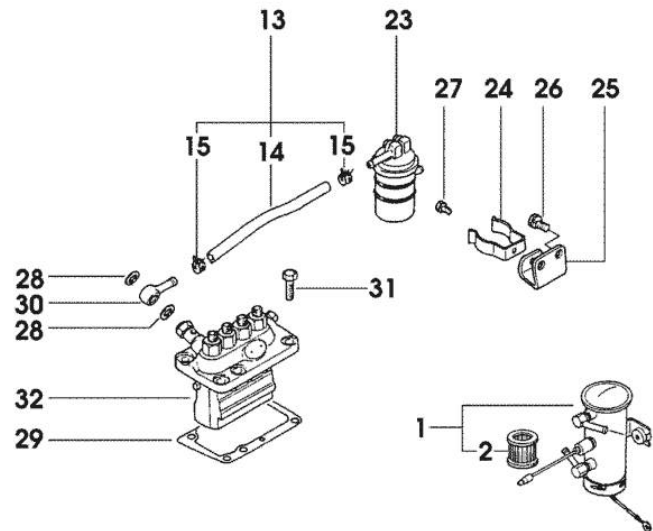
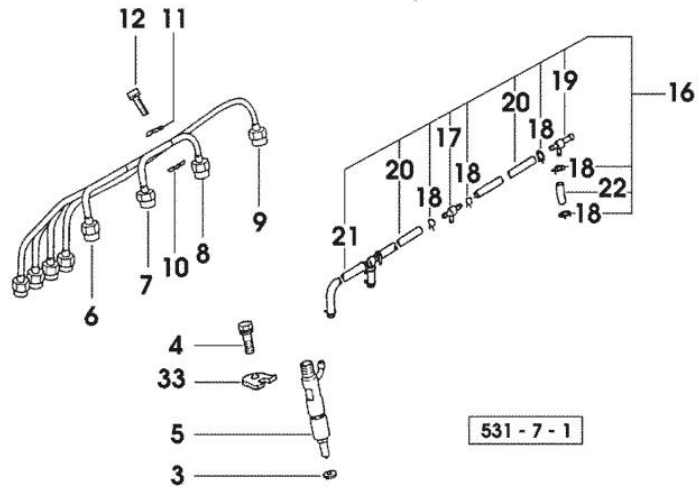


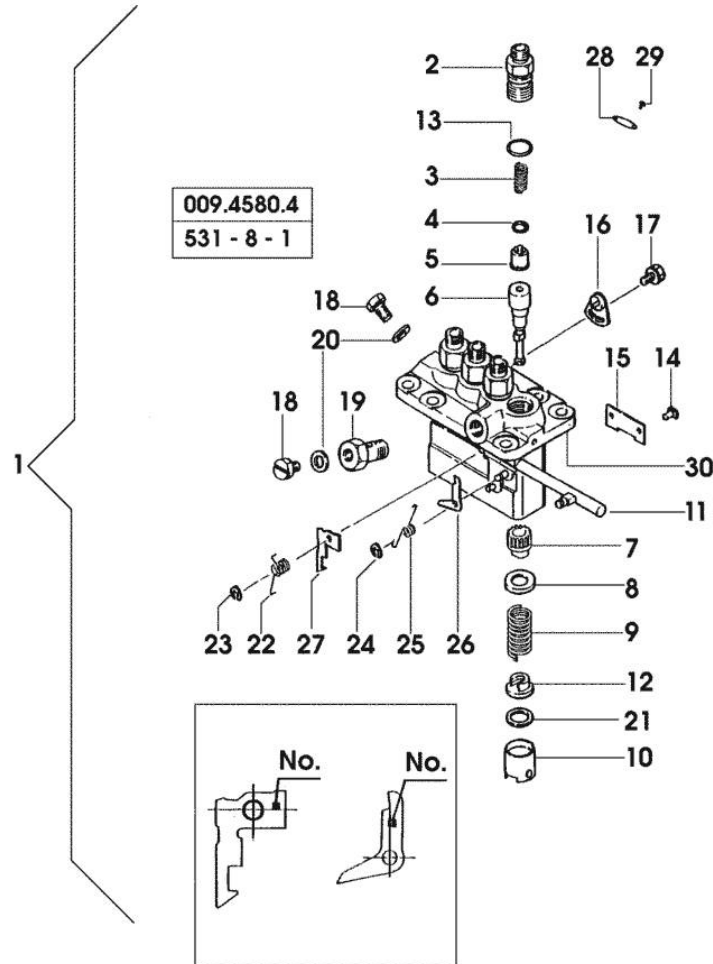
Fig.	P/n	QTY	Name
29	0.009.4577.1	1	shim mm 0.4
29	0.009.4577.2	1	shim mm 0.50
29	0.009.4578.0	1	shim mm 0.6
29	0.009.4578.1	1	shim mm 0.7
29	0.009.4578.2	1	shim mm 0.8
29	0.009.4579.0	1	shim mm 0.9
29	0.009.4579.1	1	shim mm 1.0
30	0.009.4579.2	1	pipe fitting
31	0.009.4580.0	6	screw
32	0.009.4580.4	1	injector pump - X 35HP ☞ 01.00.68
32	0.009.4784.4	1	injector pump - X 42HP ☞ 01.00.75
33	0.009.4568.0	4	support

Section: ENGINE

INJECTION PUMP PARTS

Fig.	P/n	QTY	Name
------	-----	-----	------

Notes:
[SOLARIS 45]



1	0.009.4784.4	1	injector pump
2	0.009.4581.0	4	pipe fitting
3	0.009.4581.1	4	spring
4	0.009.4581.2	4	gasket
5	0.009.4582.0	4	valve
6	0.009.4582.1	4	pumping element
7	0.009.4582.2	4	sleeve
8	0.009.4583.0	4	valve seat
9	0.009.4583.1	4	spring
10	0.009.4583.2	4	tappets
11	0.009.4584.0	1	ratchet
12	0.009.4584.1	4	valve seat
13	0.009.4584.2	4	ring
14	0.009.4585.0	4	pin
15	0.009.4585.1	2	small plate
16	0.009.4585.2	3	small plate
17	0.009.4586.0	3	screw
18	0.009.4586.1	2	screw
19	0.009.4586.2	1	pipe fitting
20	0.009.4587.0	2	washer
21	0.009.4587.1	4	shim mm 0.60
21	0.009.4587.2	4	shim mm 0.20
21	0.009.4588.0	4	shim mm 0.30
21	0.009.4588.1	4	shim mm 0.40
21	0.009.4588.2	4	shim mm 0.5
21	0.009.4589.0	4	shim mm 0.25
21	0.009.4589.1	4	shim mm 0.35
21	0.009.4589.2	4	shim mm 0.45
21	0.009.4590.0	4	shim mm 0.55
21	0.009.4590.1	4	shim mm 0.65
22	0.009.4590.2	1	spring
23	0.009.4591.0	1	ring
24	0.009.4591.1	1	ring
25	0.009.4591.2	1	spring
26	0.009.4592.0	1	plate 6, d128
26	0.009.4592.1	1	plate 7
26	0.009.4592.2	1	plate 8
26	0.009.4593.0	1	plate 9
26	0.009.4593.1	1	plate 10
26	0.009.4593.2	1	plate 11
26	0.009.4594.0	1	plate 12

Section: ENGINE

INJECTION PUMP PARTS

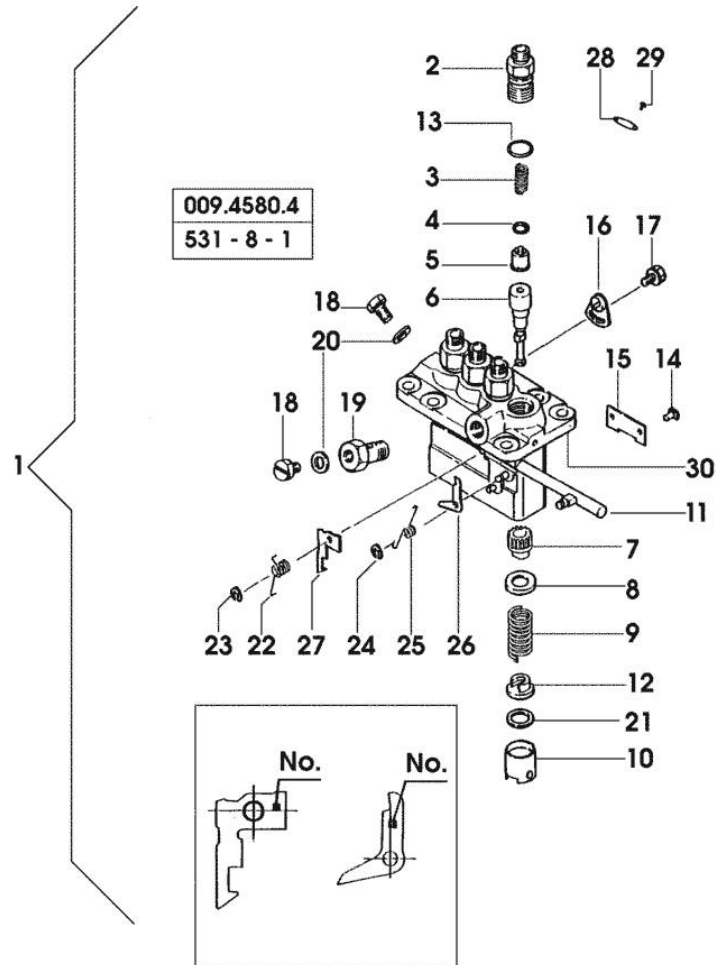


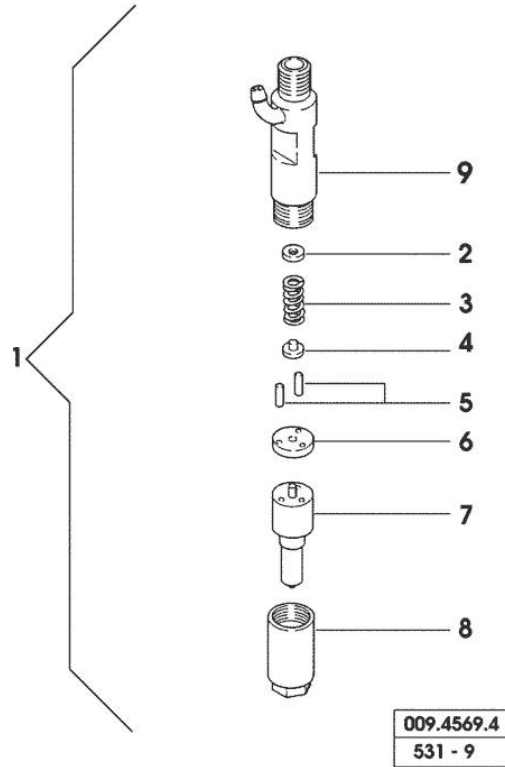
Fig.	P/n	QTY	Name
27	0.009.4594.1	1	plate 66
27	0.009.4594.2	1	plate 67
27	0.009.4595.0	1	plate 68
27	0.009.4595.1	1	plate 69
27	0.009.4595.2	1	plate 70
27	0.009.4596.0	1	plate 71
27	0.009.4596.1	1	plate 72
27	0.009.4596.2	1	plate 73
27	0.009.4768.2	1	plate 62
27	0.009.4769.0	1	plate 63
27	0.009.4769.1	1	plate 64
27	0.009.4769.2	1	plate 65
27	0.009.4786.0	1	plate 59
27	0.009.4786.1	1	plate 60
27	0.009.4786.2	1	plate 61
28	0.009.4785.1	1	plate
29	0.009.4599.2	2	rivet
30	0.000.0000.1		cannot be supplied

INJECTOR NOZZLE HOLDER COMPONENTS

Fig.	P/n	QTY	Name
------	-----	-----	------

Notes:

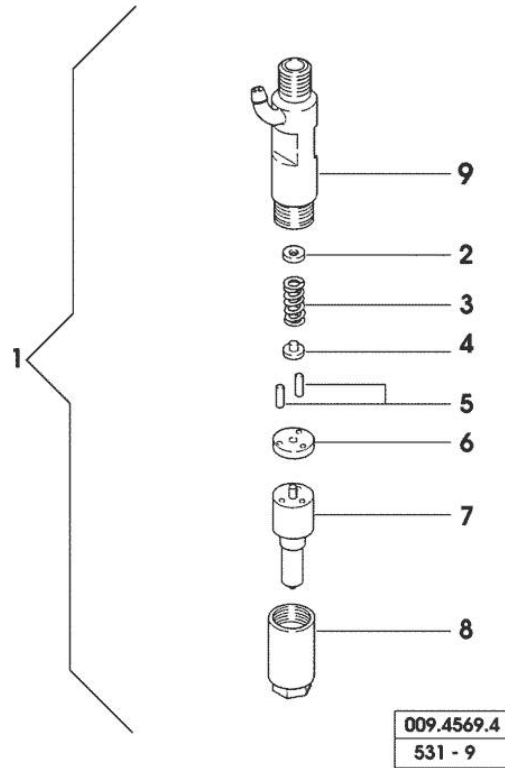
[SOLARIS 45]



1	0.009.4569.4	1	injector assembly
2	0.009.4600.1		washer mm 1.00
2	0.009.4600.2		washer mm 1.05
2	0.009.4601.0		washer mm 1.10
2	0.009.4601.1		washer mm 1.15
2	0.009.4601.2		washer mm 1.20
2	0.009.4602.0		washer mm 1.25
2	0.009.4602.1		washer mm 1.30
2	0.009.4602.2		washer mm 1.35
2	0.009.4603.0		washer mm 1.40
2	0.009.4603.1		washer mm 1.45
2	0.009.4603.2		washer mm 1.50
2	0.009.4604.0		washer mm 1.55
2	0.009.4604.1		washer mm 1.60
2	0.009.4604.2		washer mm 1.65
2	0.009.4605.0		washer mm 1.70
2	0.009.4605.1		washer mm 1.75
2	0.009.4605.2		washer mm 1.80
2	0.009.4606.0		washer mm 1.85
2	0.009.4606.1		washer mm 1.90
2	0.009.4606.2		washer mm 1.95
2	0.009.4607.0		washer mm 2.00
2	0.009.4607.1		washer mm 2.05
2	0.009.4607.2		washer mm 2.10
2	0.009.4608.0		washer mm 2.15
2	0.009.4608.1		washer mm 1.275
2	0.009.4608.2		washer mm 1.325
2	0.009.4609.0		washer mm 1.375
2	0.009.4609.1		washer mm 1.425
2	0.009.4609.2		washer mm 1.475
2	0.009.4610.0		washer mm 1.525
2	0.009.4610.1		washer mm 1.575
2	0.009.4610.2		washer mm 1.625
2	0.009.4611.0		washer mm 1.675
2	0.009.4611.1		washer mm 1.725
2	0.009.4611.2		washer mm 1.775
2	0.009.4612.0		washer mm 0.95
3	0.009.4612.1	1	spring
4	0.009.4612.2	1	pin
5	0.009.4613.0	2	pin
6	0.009.4613.1	1	gasket

INJECTOR NOZZLE HOLDER COMPONENTS

Fig.	P/n	QTY	Name
7	0.009.4613.2	1	nozzle
8	0.009.4614.0	1	nut
9	0.000.0000.1		cannot be supplied



Section: ENGINE

GOVERNOR PARTS

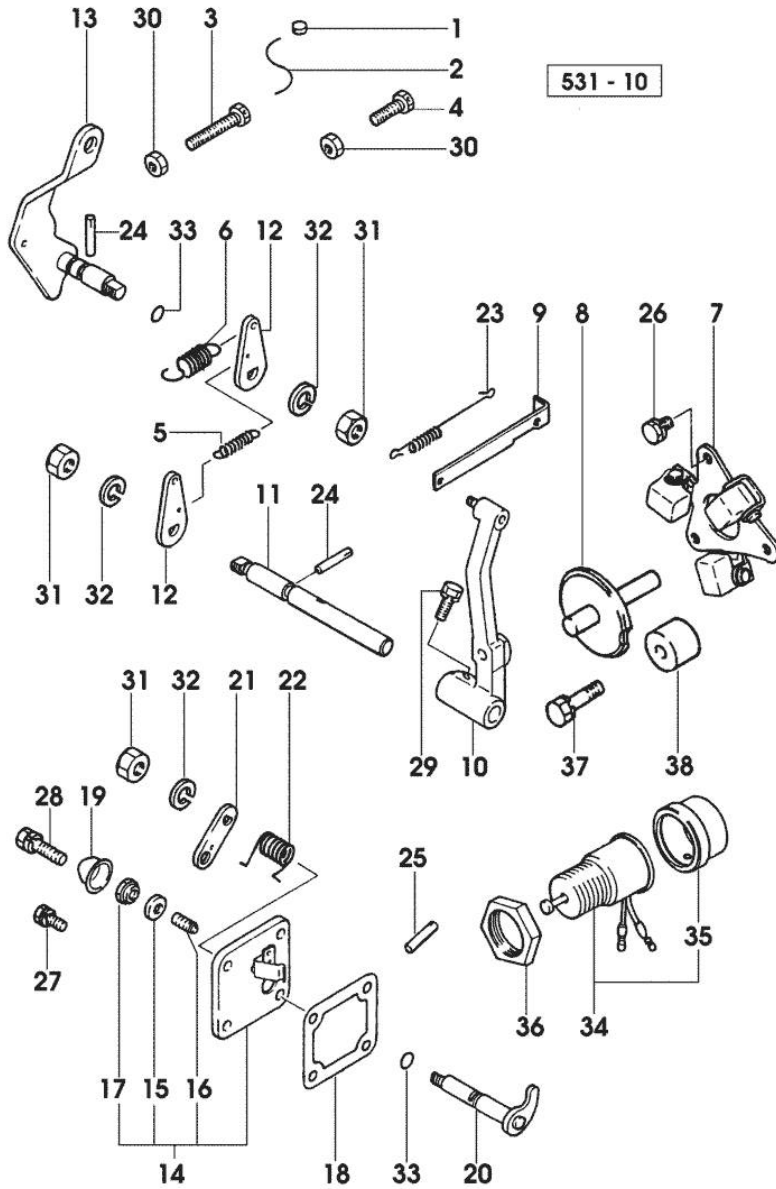


Fig.	P/n	QTY	Name
------	-----	-----	------

Notes:
[SOLARIS 45]

1	0.009.4614.1	1	needle
2	0.009.4614.2	1	steel wire
3	0.009.4615.0	1	screw
4	0.009.4615.1	1	screw
5	0.009.4615.2	1	spring
5	0.009.4787.2	1	spring - X 25HP - 35HP - X 42HP
6	0.009.4616.0	1	spring
7	0.009.4616.1	1	counterweight
8	0.009.4616.2	1	shaft
8	0.009.4788.0	1	shaft - X 25HP - 35HP - X 42HP
9	0.009.4617.0	1	rod
10	0.009.4617.1	1	lever
11	0.009.4617.2	1	shaft
12	0.009.4618.0	2	lever
13	0.009.4618.1	1	lever - X 25HP - 35HP
13	0.009.4788.1	1	lever - X 42HP
14	0.009.4618.4	1	rod
15	0.009.4619.0	1	gasket
16	0.009.4619.1	1	screw
17	0.009.4619.2	1	nut
18	0.009.4620.0	1	gasket
19	0.009.4620.1	1	cover
20	0.009.4620.2	1	lever
21	0.009.4621.0	1	lever
22	0.009.4621.1	1	spring
23	0.009.4621.2	1	spring
24	0.009.4622.0	2	pin
25	0.009.4622.1	1	pin
26	0.009.4622.2	3	screw - X 25HP - 35HP
27	0.009.4623.0	3	screw
28	0.009.4623.1	1	screw
29	0.009.4623.2	1	screw
30	0.009.4624.0	2	nut
31	0.009.4624.1	3	self-locking nut

GOVERNOR PARTS

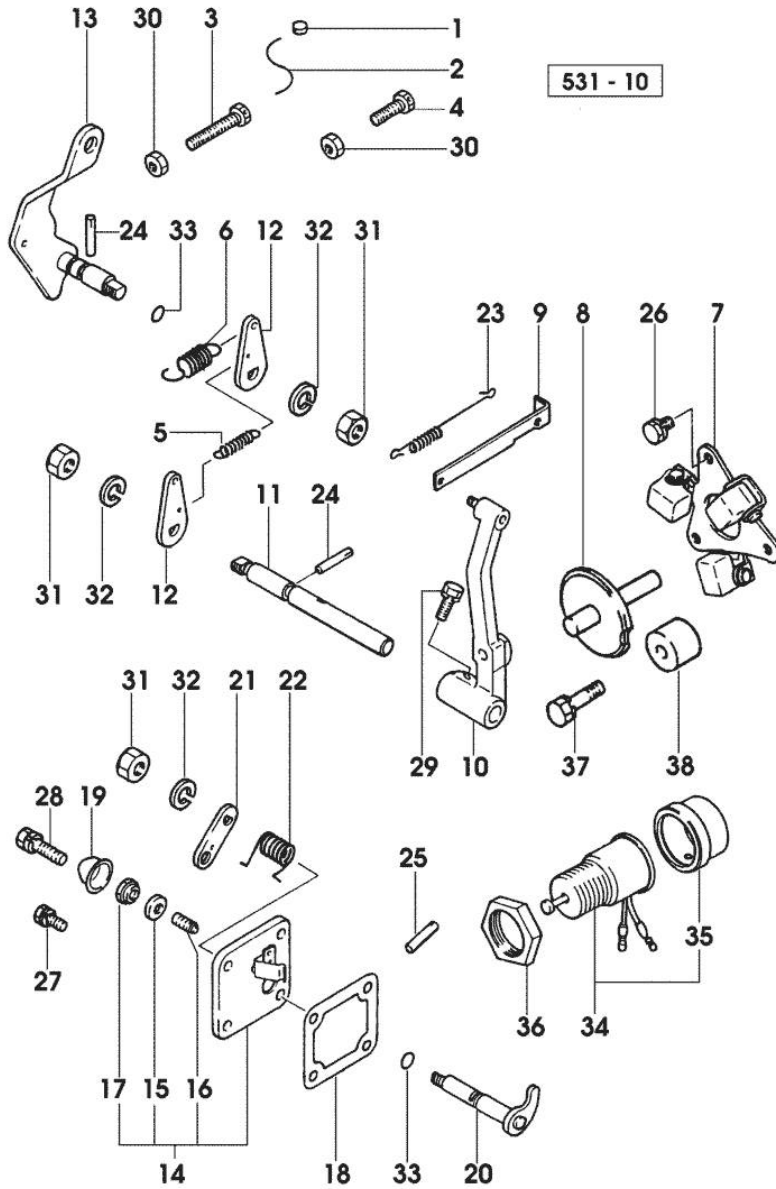


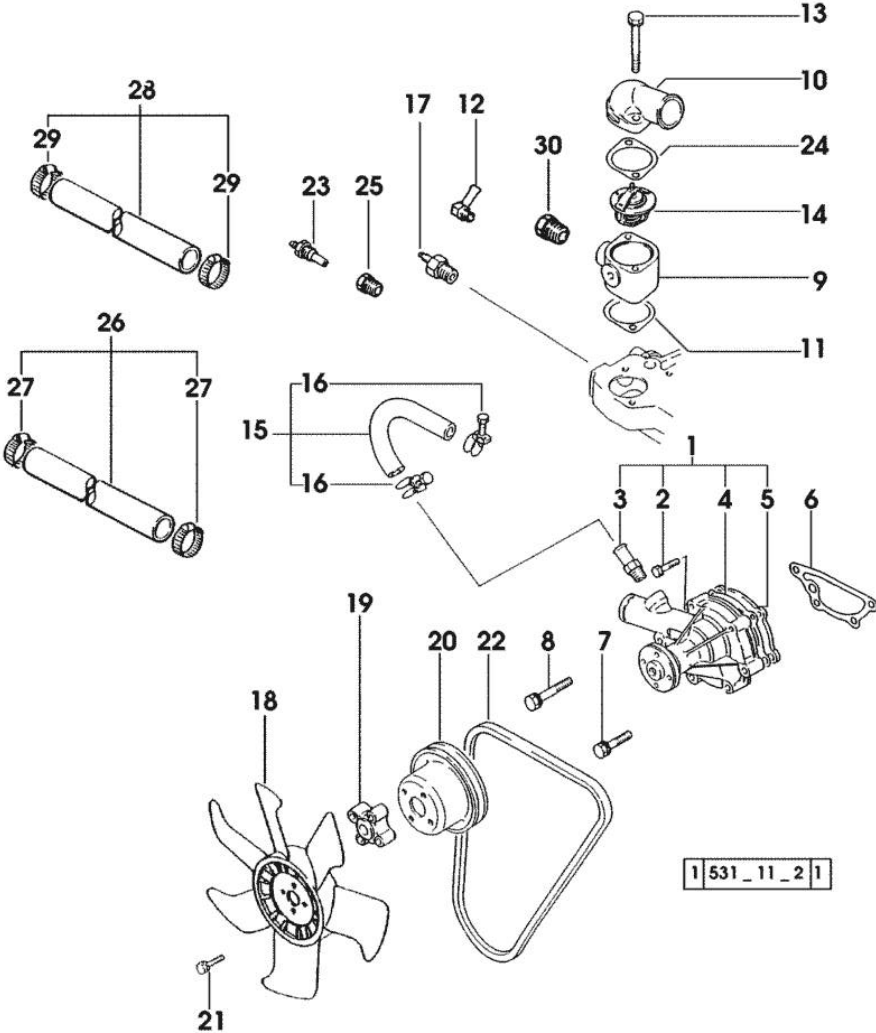
Fig.	P/n	QTY	Name
32	0.009.4539.2	3	spring washer
33	0.009.4624.2	2	ring
34	0.009.4771.4	1	solenoid valve
35	0.009.4771.0	1	plug
36	0.009.4625.1	1	nut
37	0.009.4787.0	1	screw
38	0.009.4787.1	1	spacer - X 42HP

Section: ENGINE
COOLING

Fig.	P/n	QTY	Name
------	-----	-----	------

Notes:
[SOLARIS 45]

1	0.009.4789.4	1	water pump
2	0.009.4635.2	2	screw
3	0.009.4789.0	1	pipe fitting
4	0.009.4636.1	1	gasket
5	0.009.4636.2	1	plate
6	0.009.4637.0	1	gasket
7	0.009.4637.1	3	screw
8	0.009.4637.2	1	screw
9	0.009.4772.0	1	valve body
10	0.009.4638.1	1	pipe fitting
11	0.009.4638.2	2	gasket
12	0.009.4788.2	1	pipe fitting
13	0.009.4639.0	2	screw
14	0.009.4639.1	1	thermostat
15	0.009.4639.4	1	flexible hose
16	0.009.4640.0	2	clamp
17	0.009.4640.1	1	thermostat
18	0.009.4772.2	1	fan
19	0.009.4773.0	1	spacer
20	0.009.4790.0	1	pulley
21	0.009.4773.1	4	screw
22	0.009.4790.1	1	belt
23	0.009.4774.0	1	switch
24	0.009.4664.2	1	gasket
25	0.009.4772.1	1	pipe fitting
26	0.010.2204.0	1	tube
27	0.010.2206.0	2	clamp
28	0.010.2205.0	1	tube
29	0.010.2206.0	2	clamp
30	0.010.2207.0	1	plug



Thank you so much for reading.
Please click the “Buy Now!”
button below to download the
complete manual.



After you pay.

You can download the most
perfect and complete manual in
the world immediately.

Our support email:

ebooklibonline@outlook.com