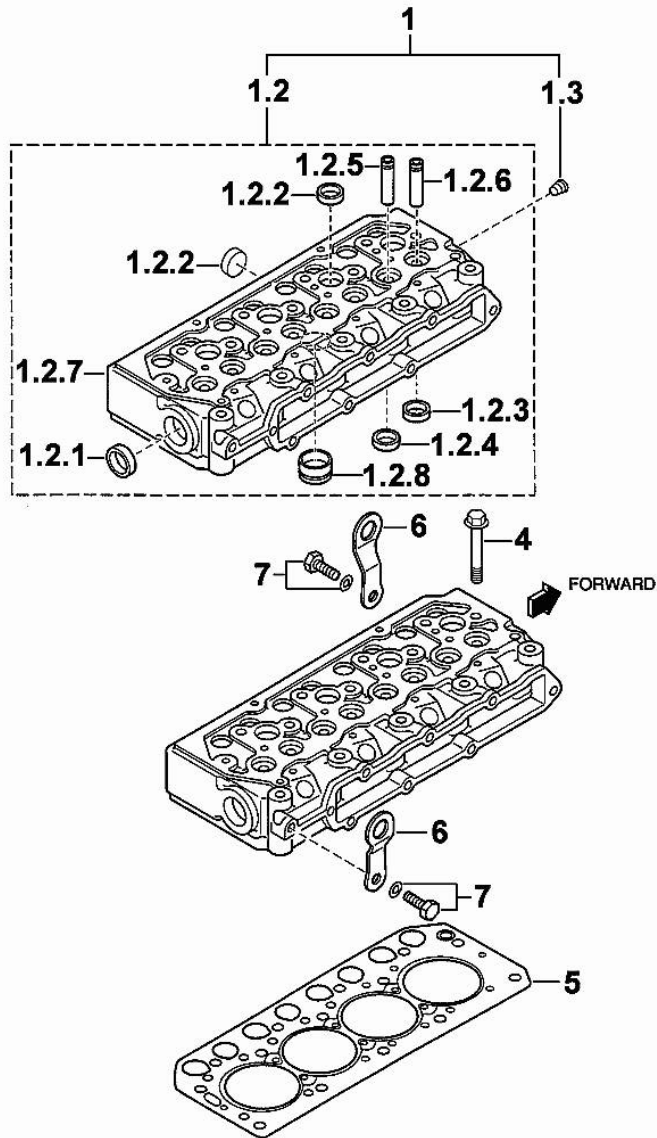


Section: B0 - ENGINE

CYLINDER HEAD



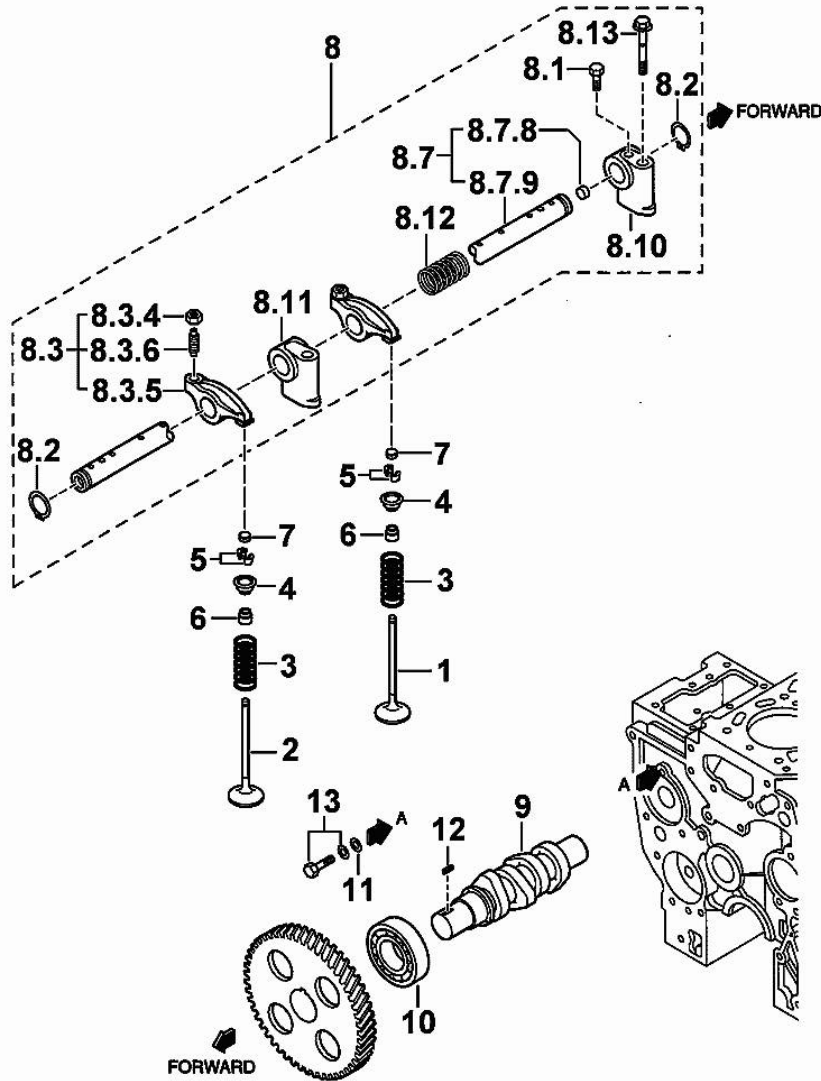
| Fig. | P/n | QTY | Name |
|-------|--------------|-----|--------------------|
| 1 | 0.010.3986.1 | 1 | engine head |
| 1.2 | 0.000.0000.1 | | cannot be supplied |
| 1.2.1 | 0.010.2634.1 | 1 | plug |
| 1.2.2 | 0.009.4527.0 | 7 | plug |
| 1.2.3 | 0.000.0000.1 | | cannot be supplied |
| 1.2.4 | 0.000.0000.1 | | cannot be supplied |
| 1.2.5 | 0.010.2634.2 | 4 | valve guide |
| 1.2.6 | 0.010.2635.0 | 4 | valve guide |
| 1.2.7 | 0.000.0000.1 | | cannot be supplied |
| 1.2.8 | 0.010.2636.2 | 4 | special bushing |
| 1.3 | 0.009.4545.1 | 1 | plug |
| 4 | 0.010.2633.1 | 14 | screw |
| 5 | 0.010.2635.2 | 1 | gasket |
| 6 | 0.009.4541.2 | 2 | bracket |
| 7 | 0.010.2633.0 | 2 | screw |

MIT_H36_003-A-001

01011-001E 47CV

CYLINDER HEAD

| Fig. | P/n | QTY | Name |
|-------|--------------|-----|------------------------|
| 1 | 0.010.2637.2 | 4 | inlet valve Ø mm 6.5 |
| 2 | 0.010.2638.0 | 4 | exhaust valve Ø mm 6.5 |
| 3 | 0.010.2638.1 | 8 | spring |
| 4 | 0.000.0000.1 | 8 | cannot be supplied |
| 5 | 0.009.4561.2 | 16 | stop |
| 6 | 0.009.4562.0 | 8 | gasket |
| 7 | 0.010.2639.0 | 8 | cap |
| 8 | 0.000.0000.1 | 1 | cannot be supplied |
| 8.1 | 0.010.2640.1 | 1 | screw |
| 8.2 | 0.009.4559.0 | 2 | ring |
| 8.3 | 0.010.3949.0 | 8 | rocker arm |
| 8.3.4 | 0.010.2641.0 | 8 | nut |
| 8.3.5 | 0.000.0000.1 | | cannot be supplied |
| 8.3.6 | 0.010.3949.1 | 8 | register |
| 8.7 | 0.010.2644.1 | 1 | shaft |
| 8.7.8 | 0.010.2643.0 | 2 | plug |
| 8.7.9 | 0.000.0000.1 | | cannot be supplied |
| 8.10 | 0.010.2642.0 | 1 | support |
| 8.11 | 0.010.2642.1 | 3 | support |
| 8.12 | 0.010.2643.1 | 3 | spring |
| 8.13 | 0.010.2643.2 | 4 | screw |
| 9 | 0.010.2644.0 | 1 | camshaft |
| 10 | 0.009.4567.0 | 1 | special bearing |
| 11 | 0.009.4566.0 | 1 | washer |
| 12 | 0.009.4567.2 | 1 | stick |
| 13 | 0.010.2639.1 | 1 | screw |



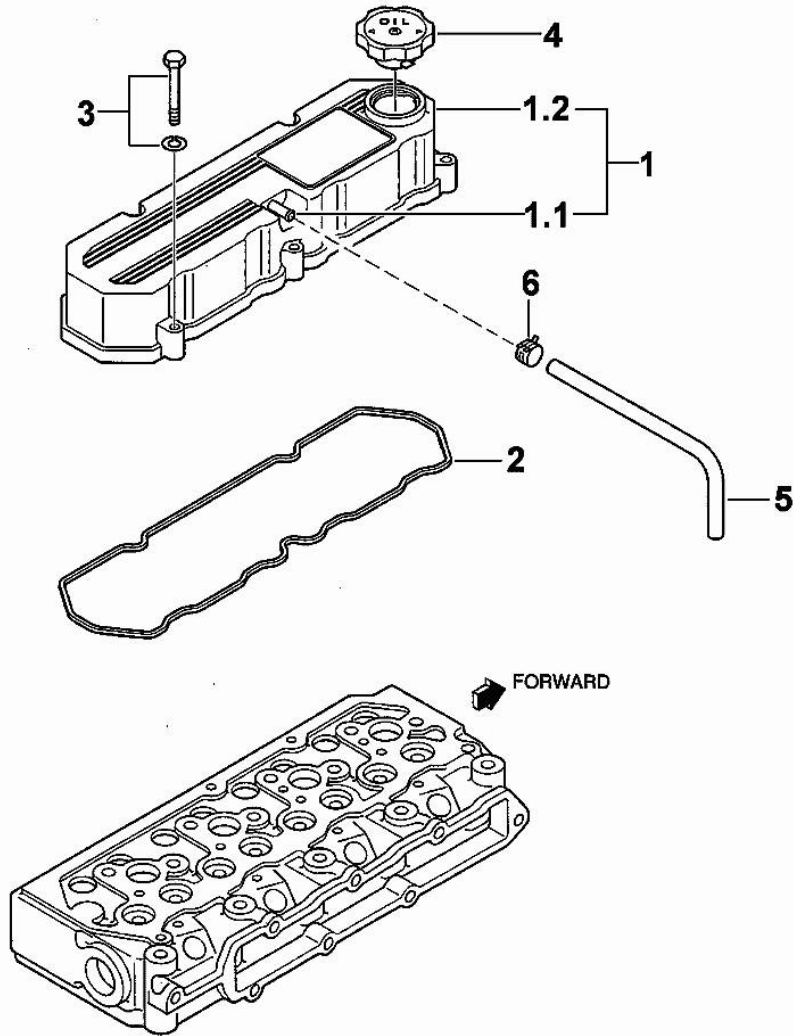
MIT_H36_004-A-001

01021-013E

Section: B0 - ENGINE

CYLINDER HEAD

| Fig. | P/n | QTY | Name |
|------|--------------|-----|--------------------|
| 1 | 0.010.2647.1 | 1 | cover |
| 1.1 | 0.000.0000.1 | | cannot be supplied |
| 1.2 | 0.000.0000.1 | | cannot be supplied |
| 2 | 0.010.2647.2 | 1 | gasket |
| 3 | 0.010.2645.2 | 5 | screw |
| 4 | 0.009.4548.0 | 1 | plug |
| 5 | 0.009.4781.2 | 1 | tube |
| 6 | 0.010.2206.0 | 1 | clamp |

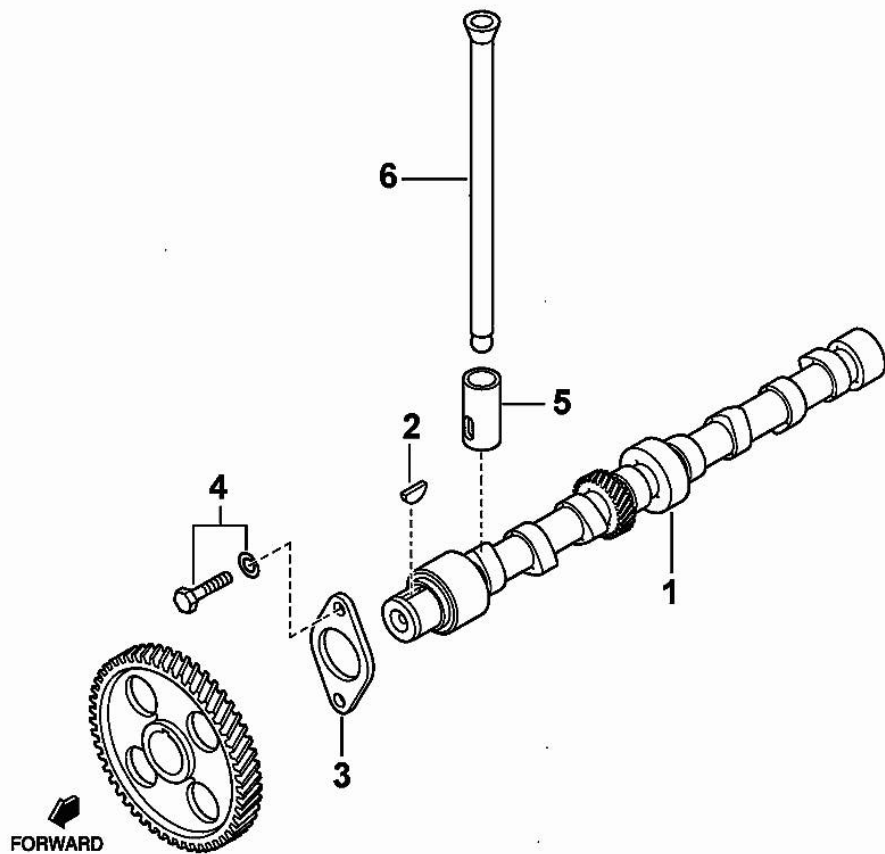


MIT_H36_006-A-001

01031-015E

CAMSHAFT

| Fig. | P/n | QTY | Name |
|------|--------------|-----|-------------|
| 1 | 0.010.3949.2 | 1 | camshaft |
| 2 | 0.009.4555.1 | 1 | key |
| 3 | 0.010.3950.0 | 1 | small plate |
| 4 | 0.010.2639.1 | 2 | screw |
| 5 | 0.010.3950.1 | 8 | tappets |
| 6 | 0.010.2646.2 | 8 | rod |

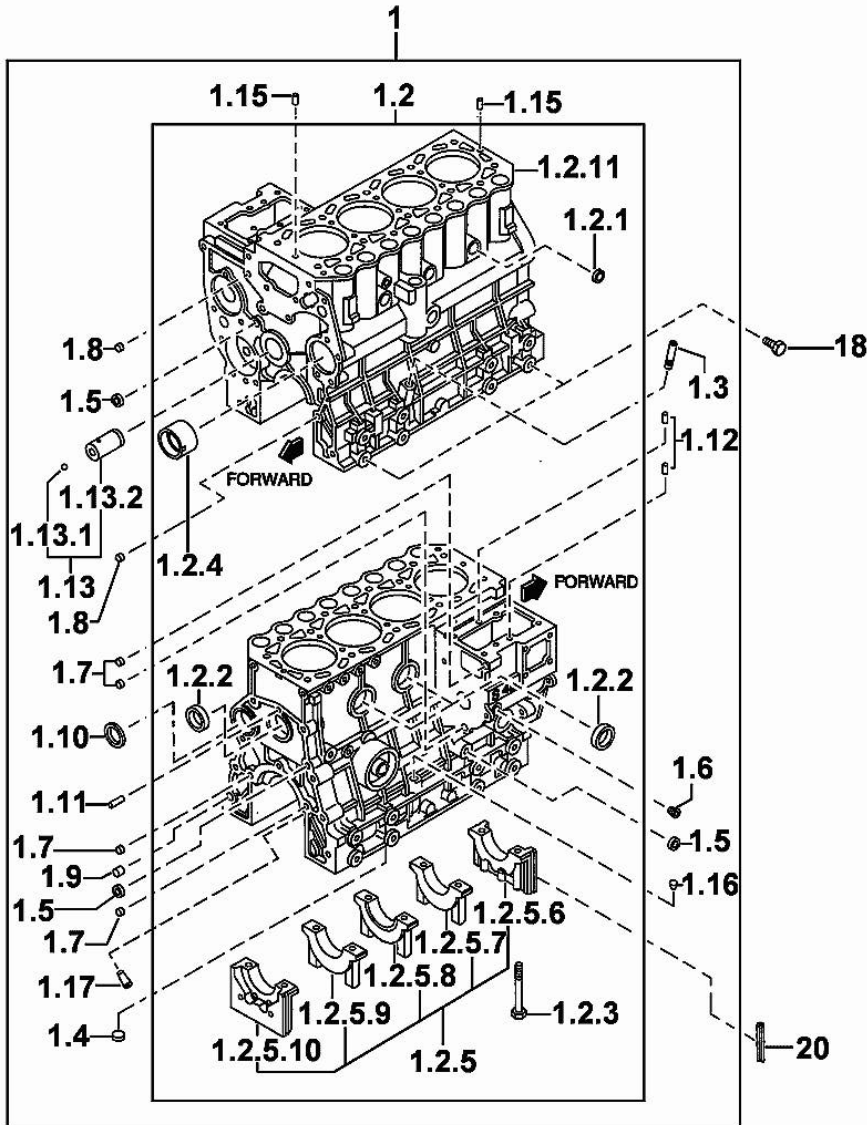


01031-016E

MIT_H36_007-A-001

CRANKCASE

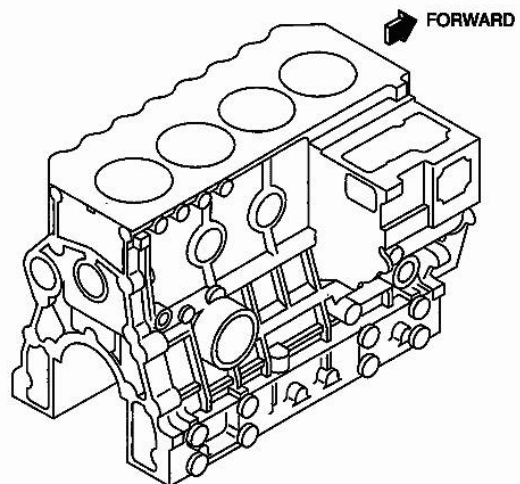
| Fig. | P/n | QTY | Name |
|----------|--------------|-----|--------------------|
| 1 | 0.010.3986.2 | 1 | crankcase |
| 1.2 | 0.000.0000.1 | | cannot be supplied |
| 1.2.1 | 0.010.2652.1 | 3 | special bushing |
| 1.2.2 | 0.010.2652.2 | 3 | special bushing |
| 1.2.3 | 0.010.2653.0 | 10 | screw |
| 1.2.4 | 0.010.2653.1 | 1 | special bushing |
| 1.2.5 | 0.000.0000.1 | | cannot be supplied |
| 1.2.5.6 | 0.000.0000.1 | | cannot be supplied |
| 1.2.5.7 | 0.000.0000.1 | | cannot be supplied |
| 1.2.5.8 | 0.000.0000.1 | | cannot be supplied |
| 1.2.5.9 | 0.000.0000.1 | | cannot be supplied |
| 1.2.5.10 | 0.000.0000.1 | | cannot be supplied |
| 1.2.11 | 0.000.0000.1 | | cannot be supplied |
| 1.3 | 0.009.4523.2 | 1 | guide |
| 1.4 | 0.010.2649.0 | 1 | plug |
| 1.5 | 0.010.2649.1 | 3 | special bushing |
| 1.6 | 0.009.4545.1 | 1 | plug |
| 1.7 | 0.009.4524.2 | 4 | special bushing |
| 1.8 | 0.009.4525.1 | 2 | special bushing |
| 1.9 | 0.009.4525.2 | 1 | special bushing |
| 1.10 | 0.009.4524.1 | 1 | expansion plug |
| 1.11 | 0.010.3951.0 | 1 | pin |
| 1.12 | 0.009.4523.0 | 2 | pin |
| 1.13 | 0.010.2650.0 | 1 | pin |
| 1.13.1 | 0.010.2650.1 | 1 | ball |
| 1.13.2 | 0.000.0000.1 | | cannot be supplied |
| 1.15 | 0.010.2651.0 | 2 | pin |
| 1.16 | 0.010.2651.1 | 1 | plug |
| 1.17 | 0.010.3961.2 | 4 | sprayers |
| 18 | 0.010.2648.1 | 4 | screw |
| 20 | 0.010.2651.2 | 4 | gasket |



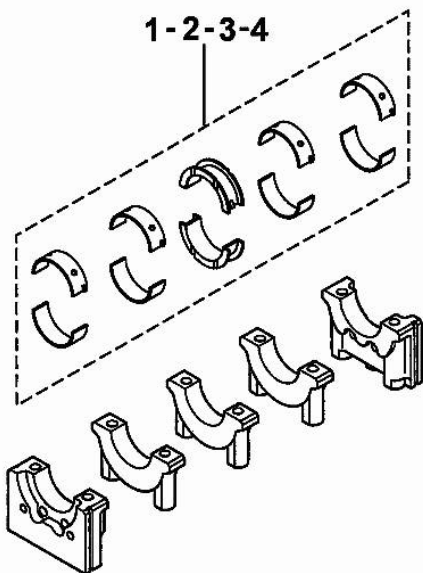
MIT_H36_010-A-001

01041-019E 47CV

MAIN BEARINGS

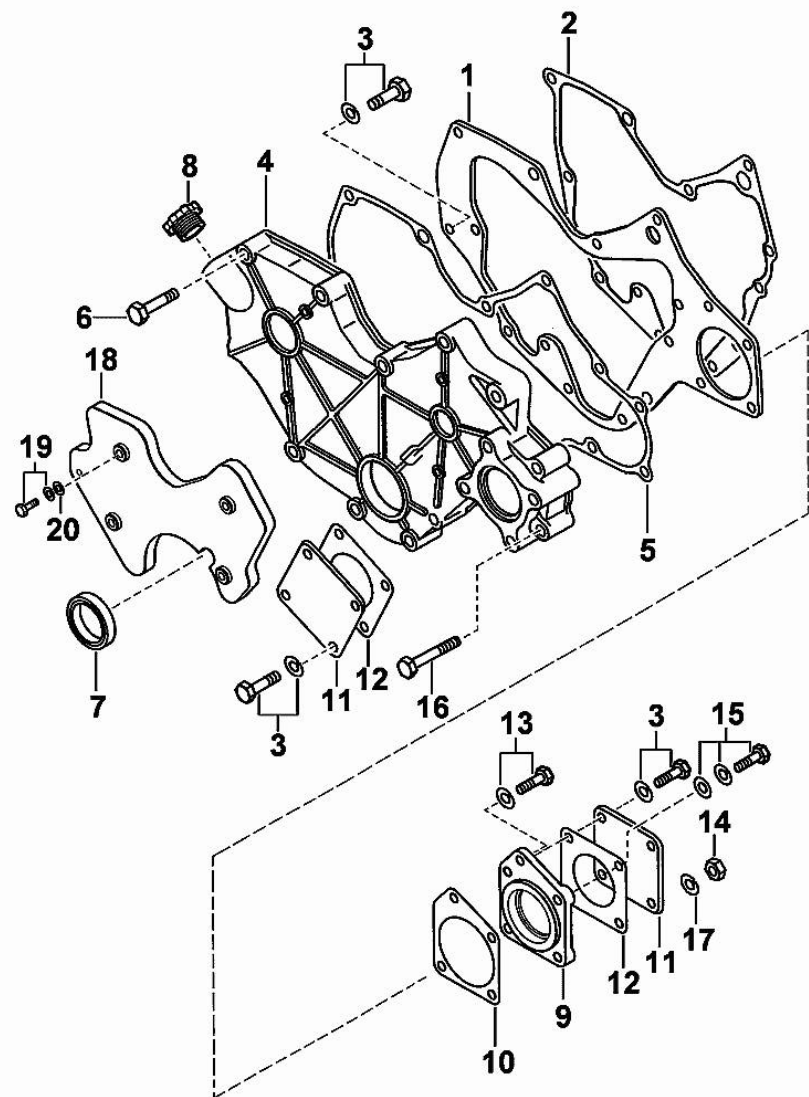


| Fig. | P/n | QTY | Name |
|------|--------------|-----|-----------------------------|
| 1 | 0.010.2656.2 | 1 | main half bushing STANDARD |
| 2 | 0.010.2657.0 | 1 | main half bushing - mm 0.25 |
| 3 | 0.010.2657.1 | 1 | main half bushing - mm 0.50 |
| 4 | 0.010.2657.2 | 1 | main half bushing - mm 0.75 |



MIT_H36_012-A-001

0104B1-001E

TIMING CASE

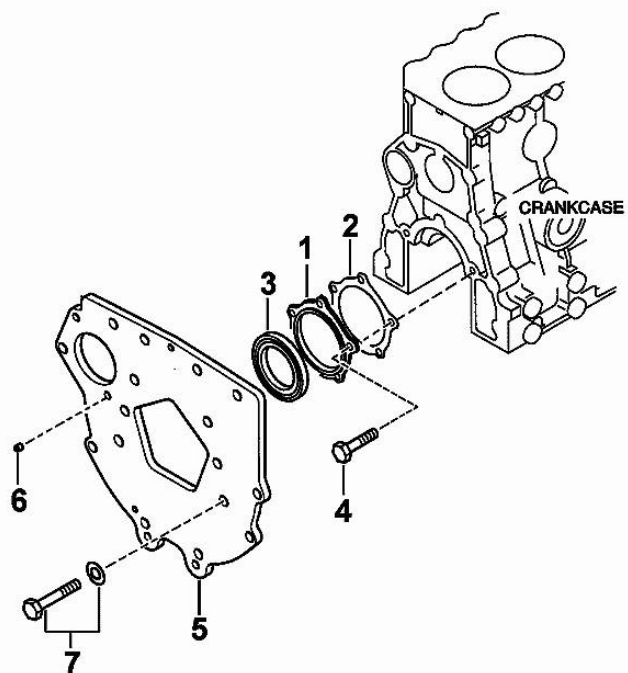
| Fig. | P/n | QTY | Name |
|------|--------------|-----|---------------|
| 1 | 0.010.2658.0 | 1 | plate |
| 2 | 0.010.2658.1 | 1 | gasket |
| 3 | 0.010.2639.1 | 10 | screw |
| 4 | 0.010.3951.1 | 1 | flange |
| 5 | 0.010.2659.0 | 1 | gasket |
| 6 | 0.010.2659.1 | 8 | screw |
| 7 | 0.009.4537.0 | 1 | gasket |
| 8 | 0.010.3951.2 | 1 | plug |
| 9 | 0.010.2660.0 | 1 | flange |
| 10 | 0.010.2660.1 | 1 | gasket |
| 11 | 0.009.4756.0 | 2 | cover |
| 12 | 0.010.3952.0 | 2 | gasket |
| 13 | 0.010.2661.0 | 1 | screw |
| 14 | 0.010.2661.1 | 2 | nut |
| 15 | 0.010.3952.1 | 1 | screw |
| 16 | 0.010.3952.2 | 2 | screw |
| 17 | 0.009.4539.2 | 2 | spring washer |
| 18 | 0.010.3953.0 | 1 | cover |
| 19 | 0.010.2662.2 | 4 | screw |
| 20 | 0.010.2663.0 | 4 | washer |

MIT_H36_013-A-001

01051-018

FLYWHEEL HOUSING

| Fig. | P/n | QTY | Name |
|------|--------------|-----|------------------|
| 1 | 0.010.2654.2 | 1 | flange |
| 2 | 0.010.2655.0 | 1 | gasket |
| 3 | 0.010.2655.1 | 1 | special oil seal |
| 4 | 0.010.2655.2 | 5 | screw |
| 5 | 0.010.3953.1 | 1 | flange |
| 6 | 0.009.4532.2 | 1 | pin |
| 7 | 0.010.3953.2 | 10 | screw |

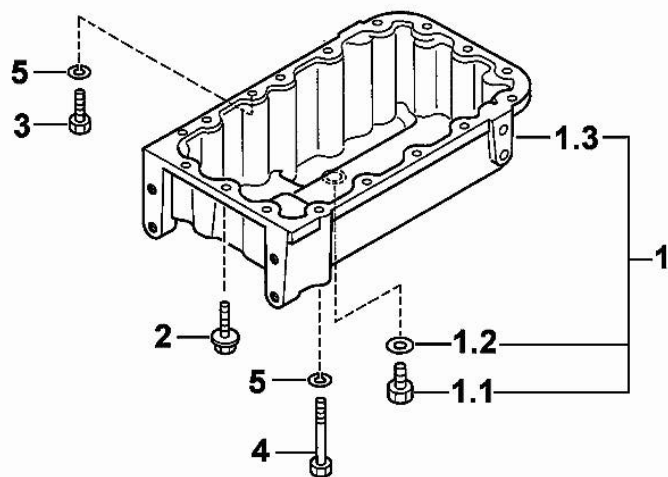
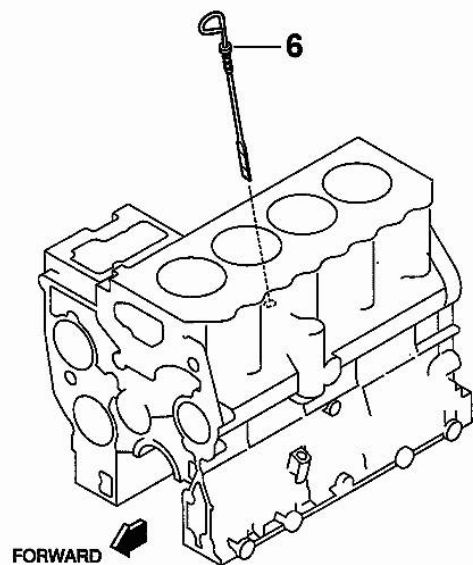


MIT_H36_014-A-001

01061-019E

OIL PAN

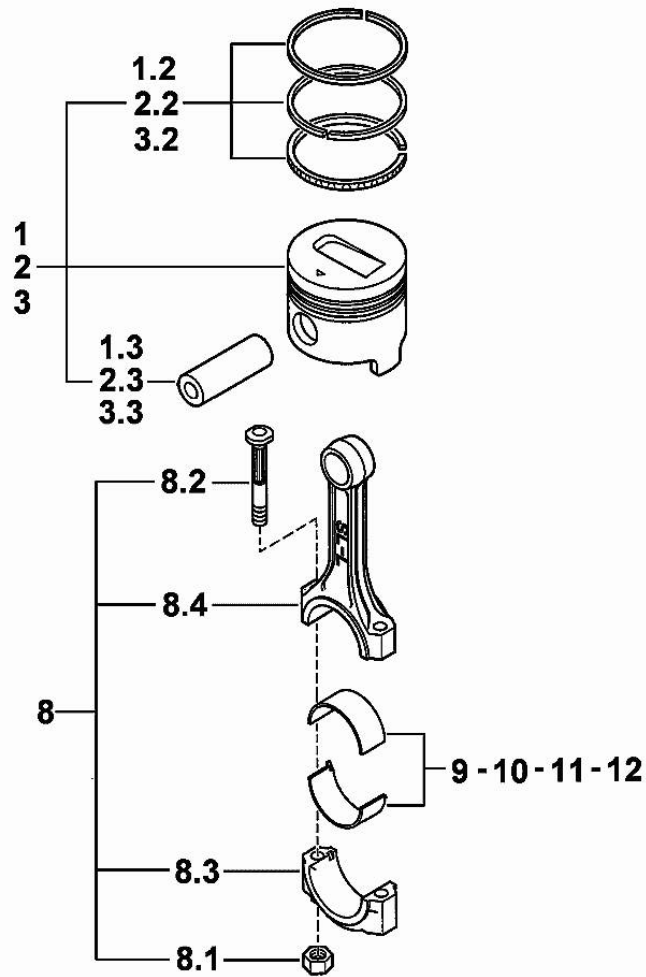
| Fig. | P/n | QTY | Name |
|------|--------------|-----|--------------------|
| 1 | 0.010.3954.0 | 1 | oil sump |
| 1.1 | 0.010.2664.0 | 1 | plug |
| 1.2 | 0.010.2663.2 | 1 | gasket |
| 1.3 | 0.000.0000.1 | | cannot be supplied |
| 2 | 0.010.3954.1 | 12 | screw |
| 3 | 0.010.2664.2 | 1 | screw |
| 4 | 0.010.2665.0 | 4 | screw |
| 5 | 0.010.2665.1 | 5 | washer |
| 6 | 0.010.2687.1 | 1 | dipstick |



MIT_H36_015-A-001

01071-038E

PISTON - CONNECTING ROD



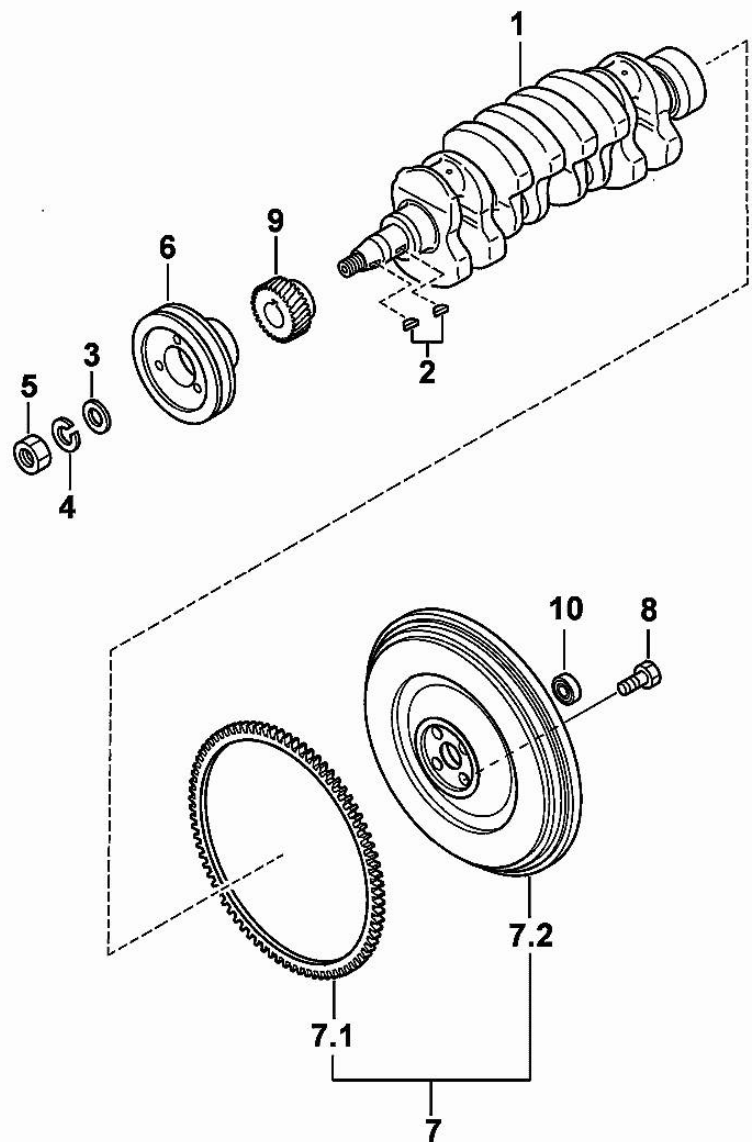
| Fig. | P/n | QTY | Name |
|------|--------------|-----|--------------------------------|
| 1 | 0.M88.0060.6 | 4 | complete piston STANDARD |
| 1.2 | 0.008.0052.6 | 4 | piston ring set STANDARD |
| 1.3 | 0.010.2668.0 | 4 | piston pin |
| 2 | 0.M88.0061.6 | 4 | complete piston + mm 0.25 |
| 2.2 | 0.008.0053.6 | 4 | piston ring set + mm 0.25 |
| 2.3 | 0.010.2668.0 | 4 | piston pin |
| 3 | 0.M88.0062.6 | 4 | complete piston + mm 0.50 |
| 3.2 | 0.008.0054.6 | 4 | piston ring set + mm 0.50 |
| 3.3 | 0.010.2668.0 | 4 | piston pin |
| 8 | 0.010.3988.0 | 4 | engine connecting rod |
| 8.1 | 0.009.4783.0 | 8 | nut |
| 8.2 | 0.010.2668.2 | 8 | screw |
| 8.3 | 0.000.0000.1 | | cannot be supplied |
| 8.4 | 0.000.0000.1 | | cannot be supplied |
| 9 | 0.009.4782.1 | 4 | con.rod half bushing STANDARD |
| 10 | 0.010.2669.0 | 4 | con.rod half bushing - mm 0.25 |
| 11 | 0.010.2669.1 | 4 | con.rod half bushing - mm 0.50 |
| 12 | 0.010.2669.2 | 4 | con.rod half bushing - mm 0.75 |

MIT_H36_018-A-001

0108A1-002 47CV

CRANKSHAFT - FLYWHEEL

| Fig. | P/n | QTY | Name |
|------|--------------|-----|--------------------|
| 1 | 0.010.3988.1 | 1 | crankshaft |
| 2 | 0.009.4555.1 | 2 | key |
| 3 | 0.009.4554.2 | 1 | flat washer |
| 4 | 0.009.4555.0 | 1 | spring washer |
| 5 | 0.009.4554.1 | 1 | nut |
| 6 | 0.010.2672.2 | 1 | pulley |
| 7 | 0.010.3954.2 | 1 | flywheel |
| 7.1 | 0.010.2671.0 | 1 | crown wheel Z=110 |
| 7.2 | 0.000.0000.1 | | cannot be supplied |
| 8 | 0.009.4557.0 | 4 | screw |
| 9 | 0.010.3955.0 | 1 | gear Z = 28 |
| 10 | 0.009.4556.1 | 1 | special bearing |

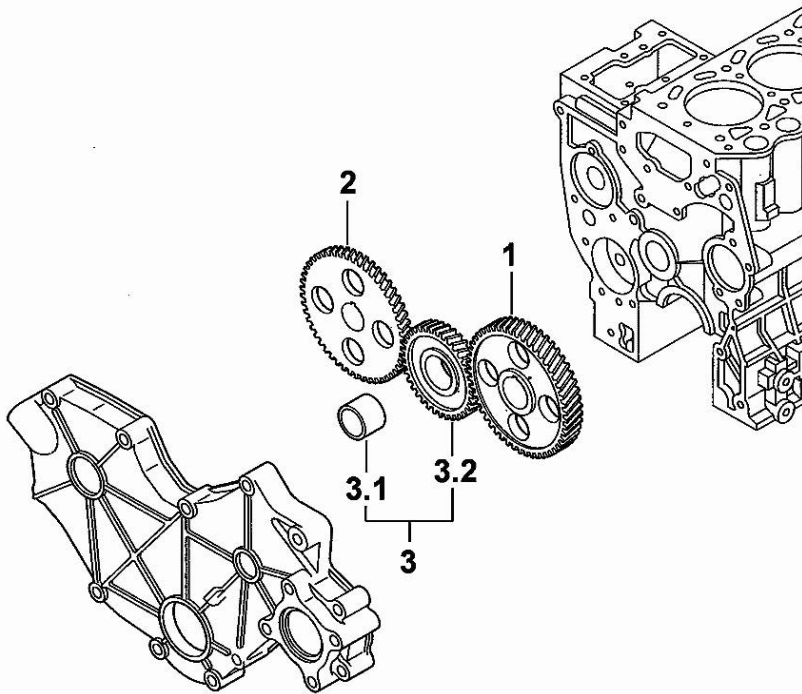


MIT_H36_020-A-001

0108B1-021 47CV

CAMSHAFT

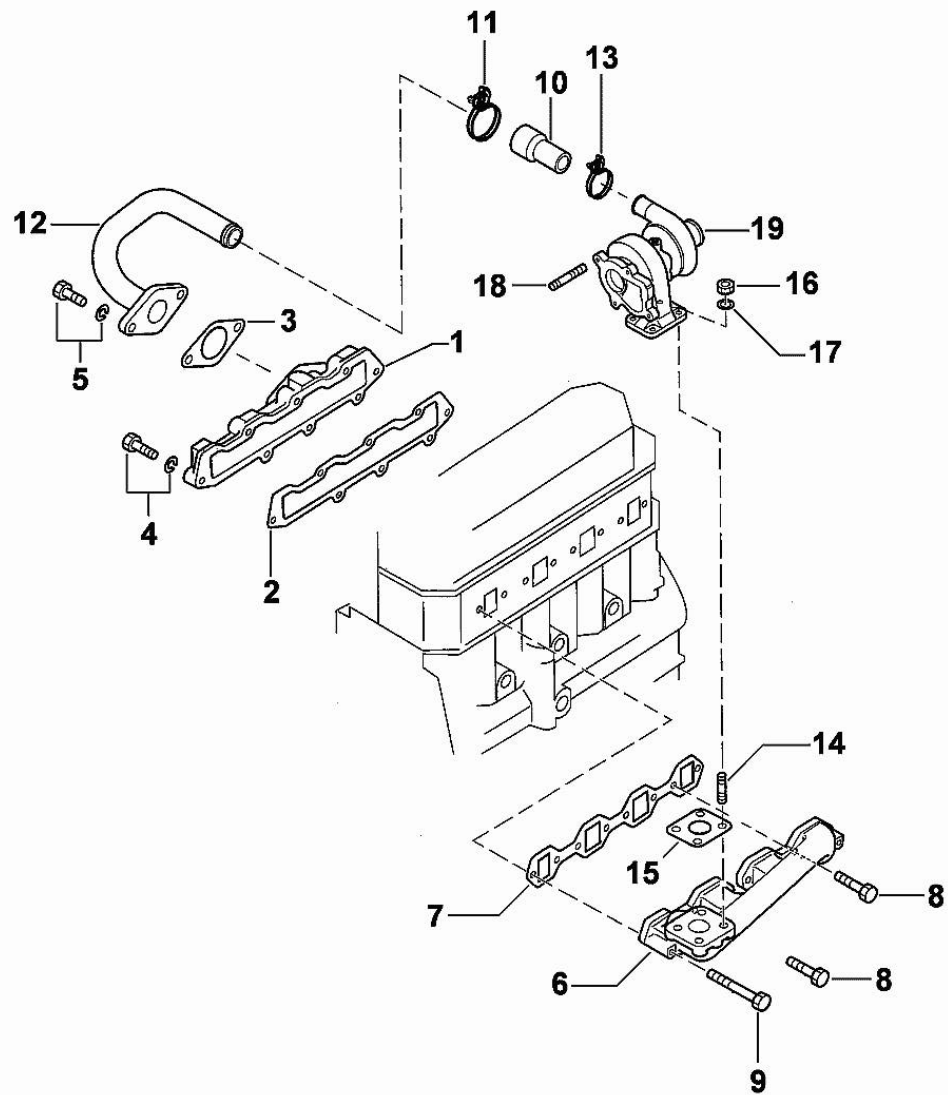
| Fig. | P/n | QTY | Name |
|------|--------------|-----|--------------------|
| 1 | 0.010.3955.1 | 1 | gear z=56 |
| 2 | 0.010.3955.2 | 1 | gear z=56 |
| 3 | 0.010.3956.0 | 1 | gear z=39 |
| 3.1 | 0.000.0000.1 | | cannot be supplied |
| 3.2 | 0.000.0000.1 | | cannot be supplied |



MIT_H36_021-A-001

01091-020E

INTAKE AND EXHAUST



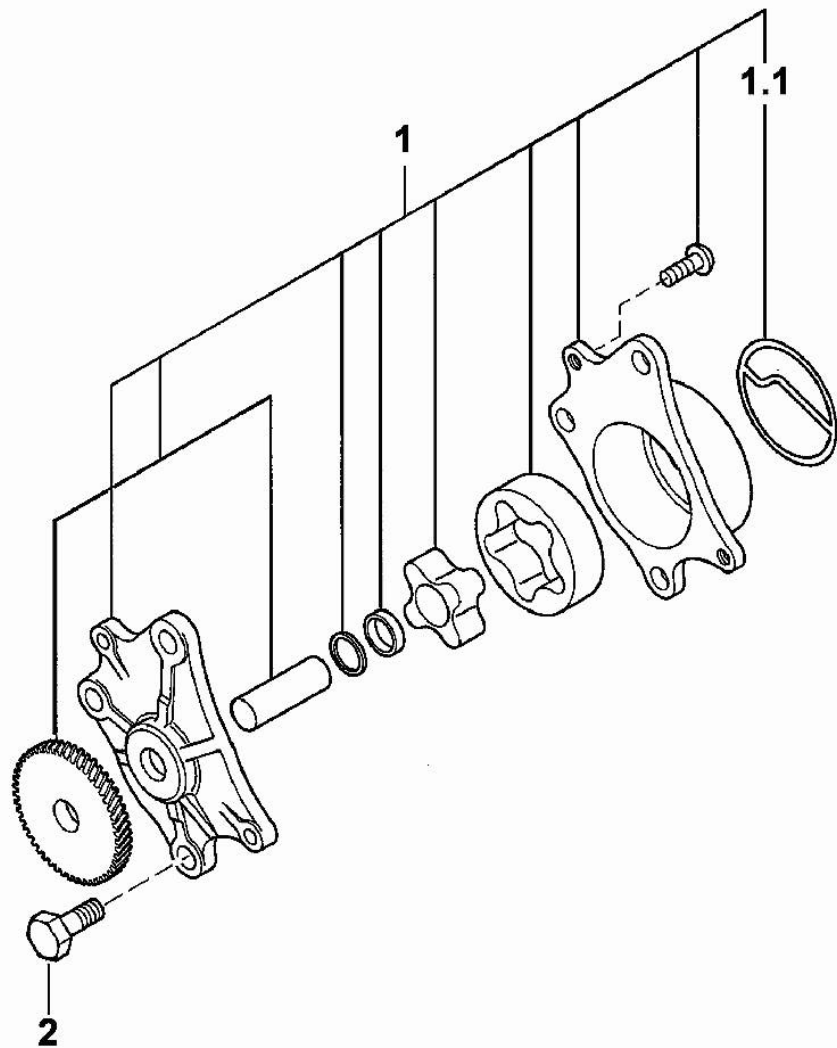
| Fig. | P/n | QTY | Name |
|------|--------------|-----|------------------|
| 1 | 0.010.3975.0 | 1 | cover |
| 2 | 0.010.3975.1 | 1 | gasket |
| 3 | 0.010.2676.2 | 1 | gasket |
| 4 | 0.010.2677.0 | 8 | screw |
| 5 | 0.010.2677.1 | 2 | screw |
| 6 | 0.010.3975.2 | 1 | exhaust manifold |
| 7 | 0.010.2680.1 | 1 | gasket |
| 8 | 0.010.3956.2 | 6 | screw |
| 9 | 0.010.3957.0 | 2 | screw |
| 10 | 0.010.3976.0 | 1 | sleeve |
| 11 | 0.010.3993.0 | 1 | clamp |
| 12 | 0.010.3973.1 | 1 | tube |
| 13 | 0.010.3976.1 | 1 | clamp |
| 14 | 0.009.4796.1 | 4 | stud bolt |
| 15 | 0.010.3976.2 | 1 | gasket |
| 16 | 0.009.4799.2 | 4 | nut |
| 17 | 0.009.4842.0 | 4 | flat washer |
| 18 | 0.009.4842.1 | 4 | stud bolt |
| 19 | 0.010.3977.0 | | turbo charger |

MIT_H36_024-A-001

02011-034E

OIL PUMP

| Fig. | P/n | QTY | Name |
|------|--------------|-----|----------|
| 1 | 0.010.2684.2 | 1 | oil pump |
| 1.1 | 0.010.2685.0 | 1 | gasket |
| 2 | 0.010.2685.1 | 3 | screw |

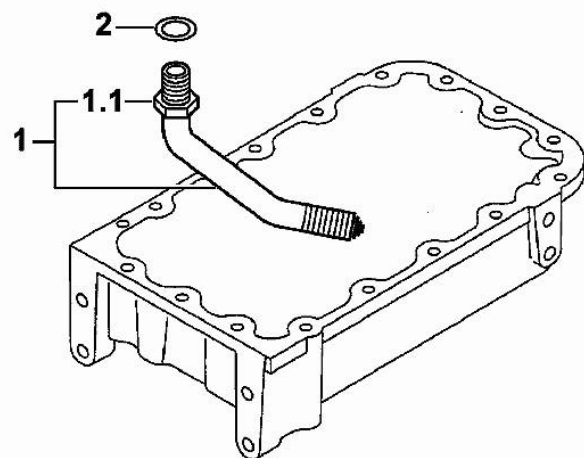
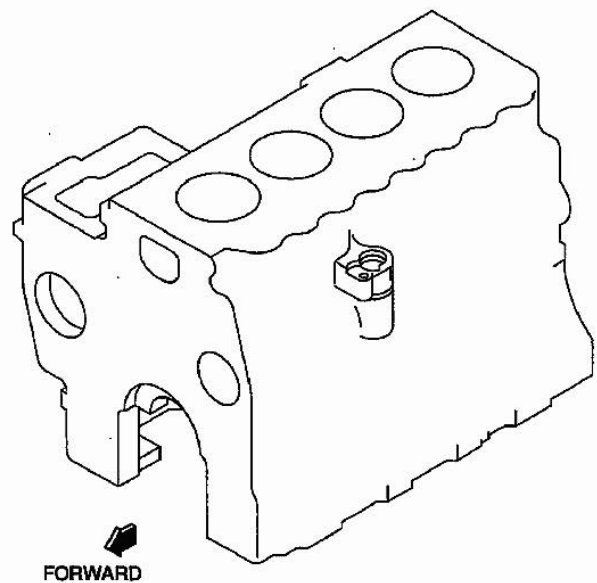


03011-001E

MIT_H36_025-A-001

LUBRICATION

| Fig. | P/n | QTY | Name |
|------|--------------|-----|------------------|
| 1 | 0.010.2685.2 | 1 | tube |
| 1.1 | 0.009.4634.0 | 1 | self-locking nut |
| 2 | 0.009.4634.1 | 1 | gasket |

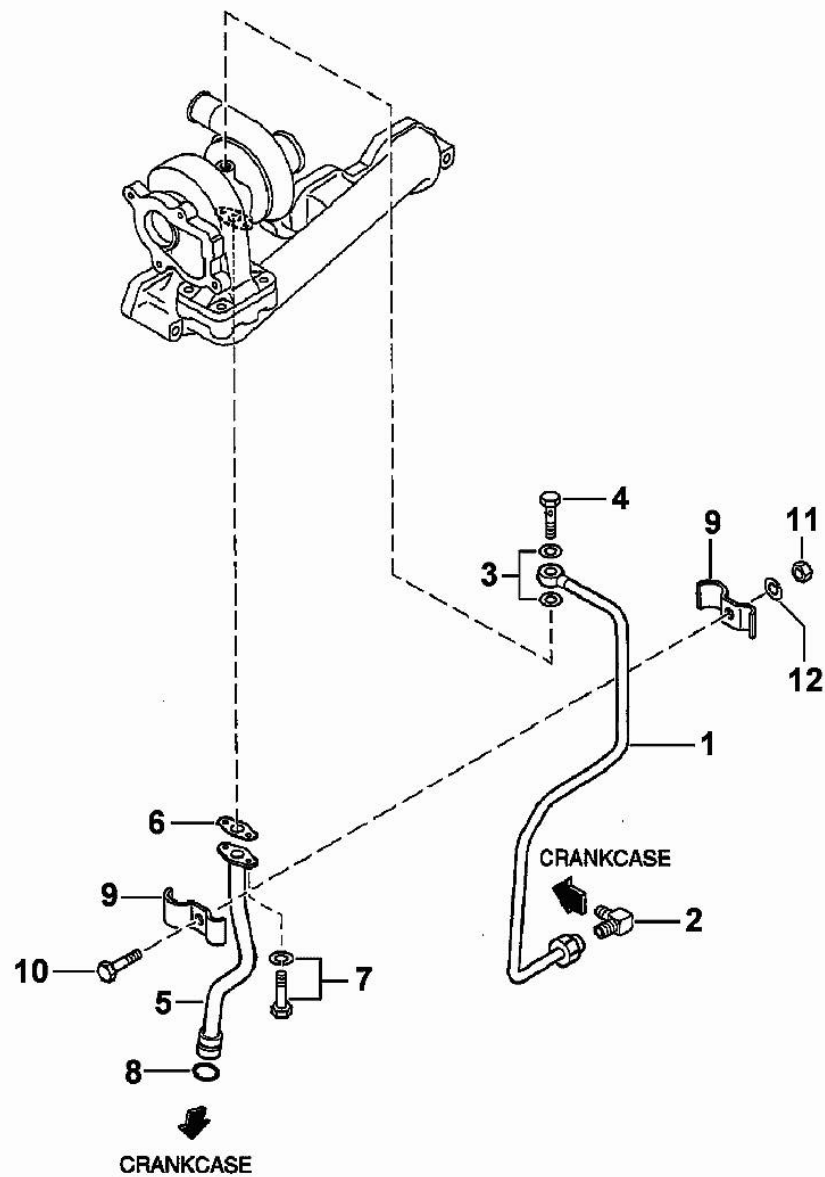


MIT_H36_026-A-001

03031-008E

OIL PIPES FOR TURBOCHARGER

| Fig. | P/n | QTY | Name |
|------|--------------|-----|--------------|
| 1 | 0.010.3988.2 | 1 | tube |
| 2 | 0.010.2681.2 | 1 | pipe fitting |
| 3 | 0.009.4843.1 | 2 | gasket |
| 4 | 0.009.4843.0 | 1 | pipe union |
| 5 | 0.010.3989.0 | 1 | tube |
| 6 | 0.010.2224.0 | 1 | gasket |
| 7 | 0.010.2682.1 | 2 | screw |
| 8 | 0.009.4630.2 | 1 | ring |
| 9 | 0.010.2683.2 | 2 | bracket |
| 10 | 0.010.2684.0 | 1 | screw |
| 11 | 0.009.4624.0 | 1 | nut |
| 12 | 0.010.2684.1 | 1 | washer |

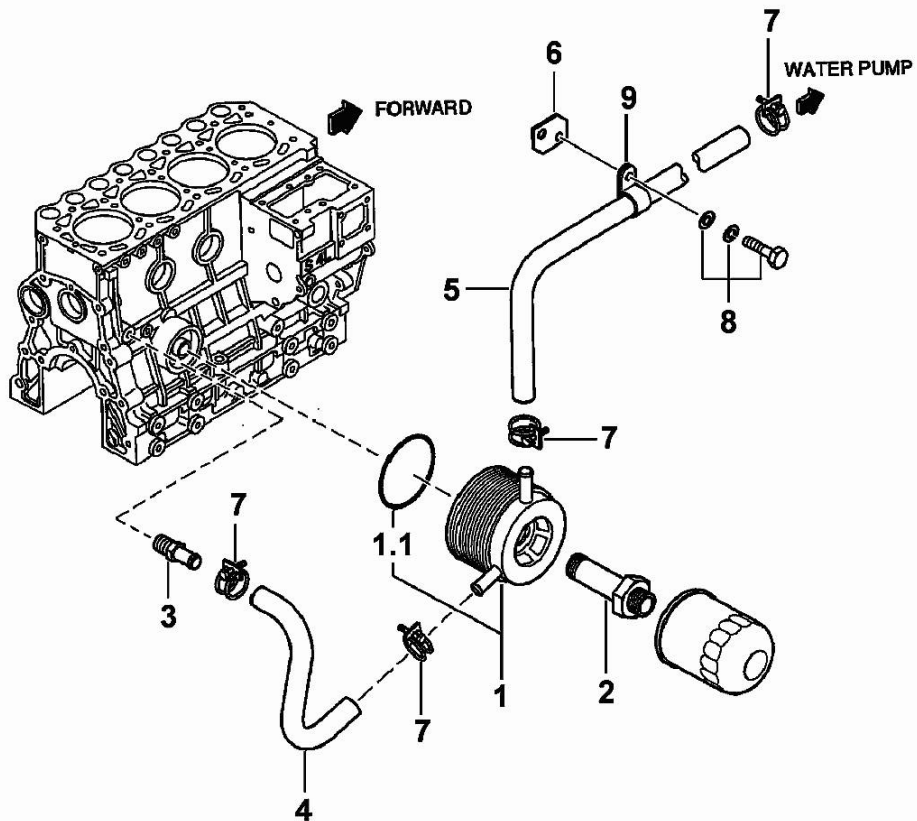


02041-002E 47CV

MIT_H36_028-A-001

LUBRIC. OIL COOLER

| Fig. | P/n | QTY | Name |
|------|--------------|-----|------------------|
| 1 | 0.010.2690.1 | 1 | oil cooler |
| 1.1 | 0.010.2690.2 | 1 | special oil seal |
| 2 | 0.010.2688.0 | 1 | pipe fitting |
| 3 | 0.010.2688.1 | 1 | pipe fitting |
| 4 | 0.010.2688.2 | 1 | tube |
| 5 | 0.010.2689.0 | 1 | tube |
| 6 | 0.010.3965.0 | 1 | small plate |
| 7 | 0.010.2689.2 | 4 | clamp |
| 8 | 0.010.2690.0 | 1 | screw |
| 9 | 0.010.2687.2 | 1 | clamp |

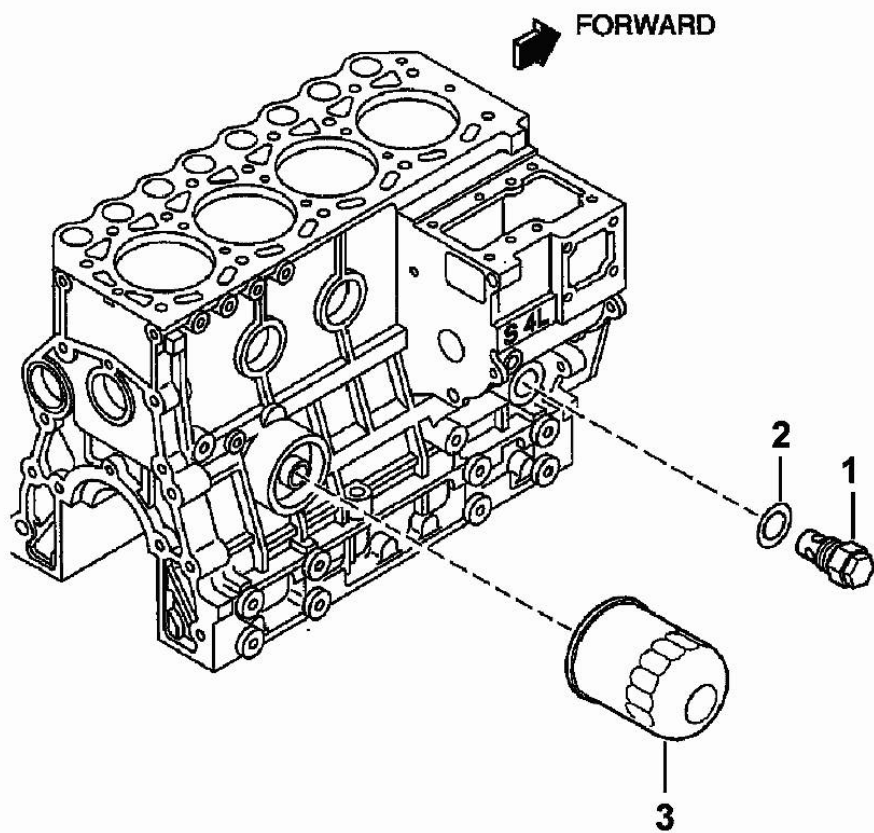


MIT_H36_030-A-001

03041-001E 47CV

LUBRIC. OIL FILTER

| Fig. | P/n | QTY | Name |
|------|--------------|-----|--------------------|
| 1 | 0.010.3957.1 | 1 | valve |
| 2 | 0.010.3957.2 | 1 | gasket |
| 3 | 0.009.4794.1 | 1 | oil filter element |

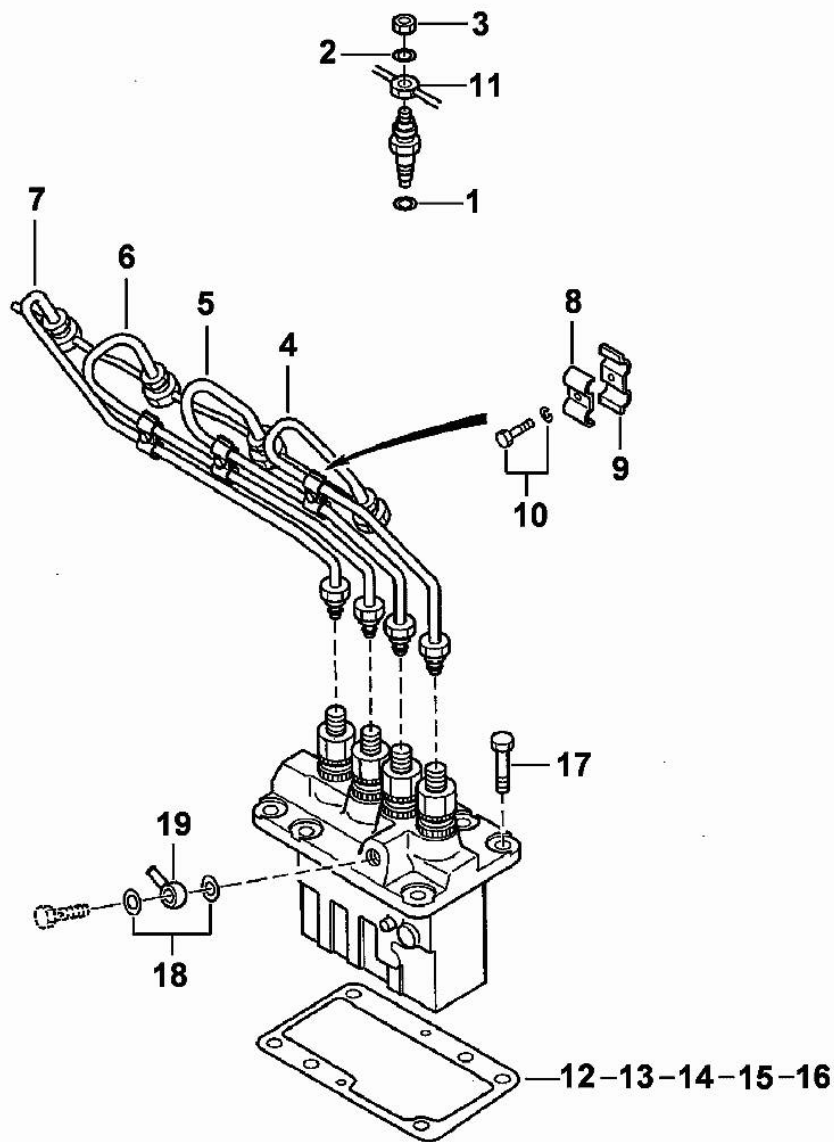


MIT_H36_032-A-001

03041-002E

FUEL SUPPLY SYSTEM

| Fig. | P/n | QTY | Name |
|------|--------------|-----|--------------|
| 1 | 0.010.2699.1 | 4 | gasket |
| 2 | 0.010.2699.2 | 4 | gasket |
| 3 | 0.010.2700.0 | 4 | nut |
| 4 | 0.010.2700.1 | 1 | tube |
| 5 | 0.010.2700.2 | 1 | tube |
| 6 | 0.010.2701.0 | 1 | tube |
| 7 | 0.010.2704.0 | 1 | tube |
| 8 | 0.009.4570.2 | 3 | clamp |
| 9 | 0.009.4571.0 | 3 | clamp |
| 10 | 0.010.2701.1 | 3 | screw |
| 11 | 0.010.2703.1 | 1 | tube |
| 12 | 0.009.4578.1 | | shim mm 0.7 |
| 13 | 0.009.4578.2 | | shim mm 0.8 |
| 14 | 0.009.4579.0 | | shim mm 0.9 |
| 15 | 0.009.4579.1 | | shim mm 1.0 |
| 16 | 0.009.4576.2 | | shim mm 0.20 |
| 17 | 0.010.3959.2 | 6 | screw |
| 18 | 0.009.4576.1 | 2 | gasket |
| 19 | 0.010.2704.2 | 1 | pipe fitting |



MIT_H36_035-A-001

05011-053E

Thank you so much for reading.
Please click the “Buy Now!”
button below to download the
complete manual.



After you pay.

You can download the most
perfect and complete manual in
the world immediately.

Our support email:

ebooklibonline@outlook.com