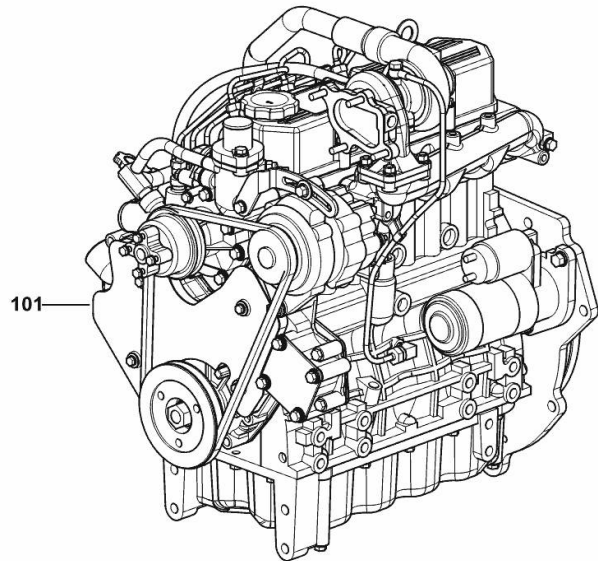


ENGINE

Fig.	P/n	QTY	Name
------	-----	-----	------

Notes:

[SOLARIS 55 ->ZKDS2401V0MS20001] [SOLARIS 55 ->ZKDS2402V0MS20001]



W9_A5681_02_0-B-001

101	6.N8800.01.0	1	new engine <=50 kw
			☞ 6.N8800.01.0
			☞ 6.N8800.01.0
			☞ 6.N8800.01.0
			☞ 6.N8800.01.0
			☞ 6.N8800.01.0
			☞ 6.N8800.01.0
			☞ 6.N8800.01.0
			☞ 6.N8800.01.0
			☞ 6.N8800.01.0
			☞ 6.N8800.01.0
			☞ 6.N8800.01.0
			☞ 6.N8800.01.0
			☞ 6.N8800.01.0
			☞ 6.N8800.01.0
			☞ 6.N8800.01.0
			☞ 6.N8800.01.0
			☞ 6.N8800.01.0
			☞ 6.N8800.01.0
			☞ 6.N8800.01.0
			☞ 6.N8800.01.0
			☞ 6.N8800.01.0
			☞ 6.N8800.01.0
			☞ 6.N8800.01.0
			☞ 6.N8800.01.0
			☞ 6.N8800.01.0
			☞ 6.N8800.01.0
			☞ 6.N8800.01.0
			☞ 6.N8800.01.0
			☞ 6.N8800.01.0
			☞ 6.N8800.01.0
			☞ 6.N8800.01.0
			☞ 6.N8800.01.0
			☞ 6.N8800.01.0
			☞ 6.N8800.01.0
			☞ 6.N8800.01.0
			☞ 6.N8800.01.0
			☞ 6.N8800.01.0
			☞ 6.N8800.01.0
			☞ 6.N8800.01.0
			☞ 6.N8800.01.0
			☞ 6.N8800.01.0
			☞ 6.N8800.01.0
			☞ 6.N8800.01.0
			☞ 6.N8800.01.0
			☞ 6.N8800.01.0
			☞ 6.N8800.01.0
			☞ 6.N8800.01.0
			☞ 6.N8800.01.0

Section: B0 - ENGINE
CYLINDER HEAD

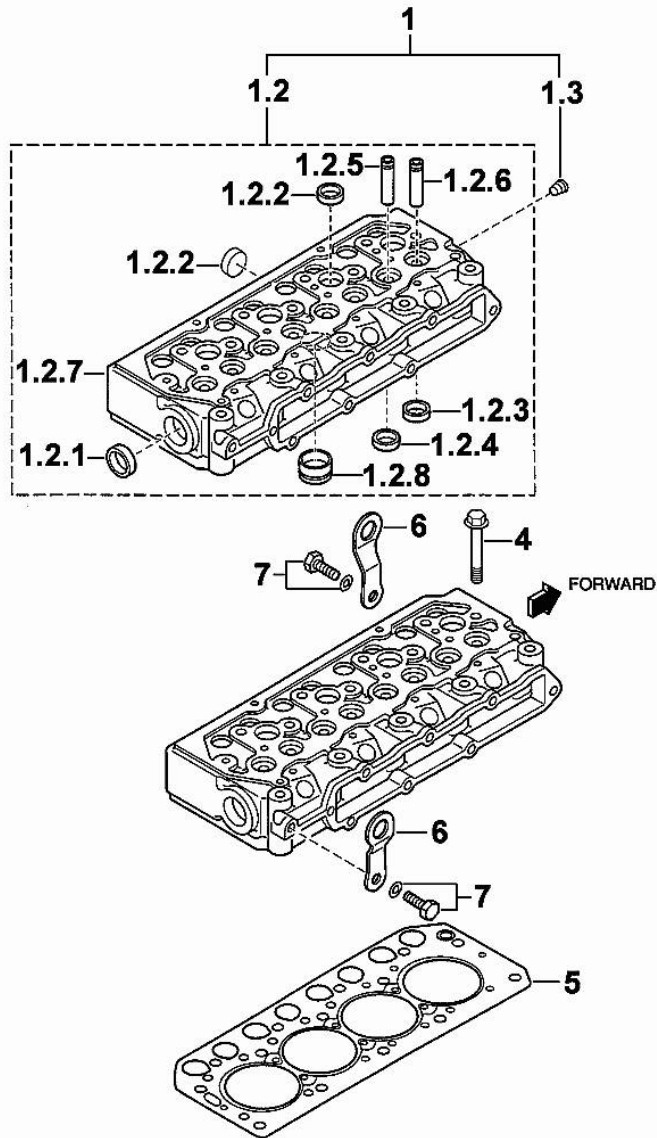


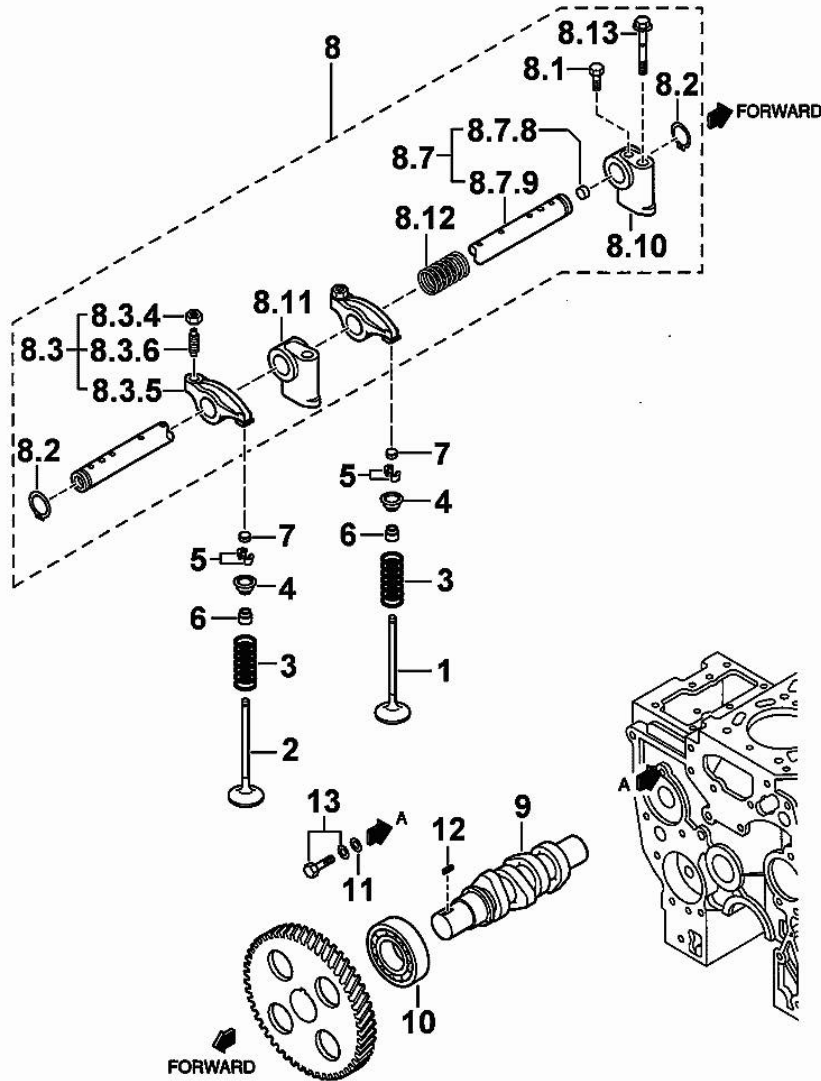
Fig.	P/n	QTY	Name
1	0.010.3986.1	1	engine head
1.2	0.000.0000.1		cannot be supplied
1.2.1	0.010.2634.1	1	plug
1.2.2	0.009.4527.0	7	plug
1.2.3	0.000.0000.1		cannot be supplied
1.2.4	0.000.0000.1		cannot be supplied
1.2.5	0.010.2634.2	4	valve guide
1.2.6	0.010.2635.0	4	valve guide
1.2.7	0.000.0000.1		cannot be supplied
1.2.8	0.010.2636.2	4	special bushing
1.3	0.009.4545.1	1	plug
4	0.010.2633.1	14	screw
5	0.010.2635.2	1	gasket
6	0.009.4541.2	2	bracket
7	0.010.2633.0	2	screw

MIT_H36_003-A-001

01011-001E 47CV

CYLINDER HEAD

Fig.	P/n	QTY	Name
1	0.010.2637.2	4	inlet valve Ø mm 6.5
2	0.010.2638.0	4	exhaust valve Ø mm 6.5
3	0.010.2638.1	8	spring
4	0.000.0000.1	8	cannot be supplied
5	0.009.4561.2	16	stop
6	0.009.4562.0	8	gasket
7	0.010.2639.0	8	cap
8	0.000.0000.1	1	cannot be supplied
8.1	0.010.2640.1	1	screw
8.2	0.009.4559.0	2	ring
8.3	0.010.3949.0	8	rocker arm
8.3.4	0.010.2641.0	8	nut
8.3.5	0.000.0000.1		cannot be supplied
8.3.6	0.010.3949.1	8	register
8.7	0.010.2644.1	1	shaft
8.7.8	0.010.2643.0	2	plug
8.7.9	0.000.0000.1		cannot be supplied
8.10	0.010.2642.0	1	support
8.11	0.010.2642.1	3	support
8.12	0.010.2643.1	3	spring
8.13	0.010.2643.2	4	screw
9	0.010.2644.0	1	camshaft
10	0.009.4567.0	1	special bearing
11	0.009.4566.0	1	washer
12	0.009.4567.2	1	stick
13	0.010.2639.1	1	screw



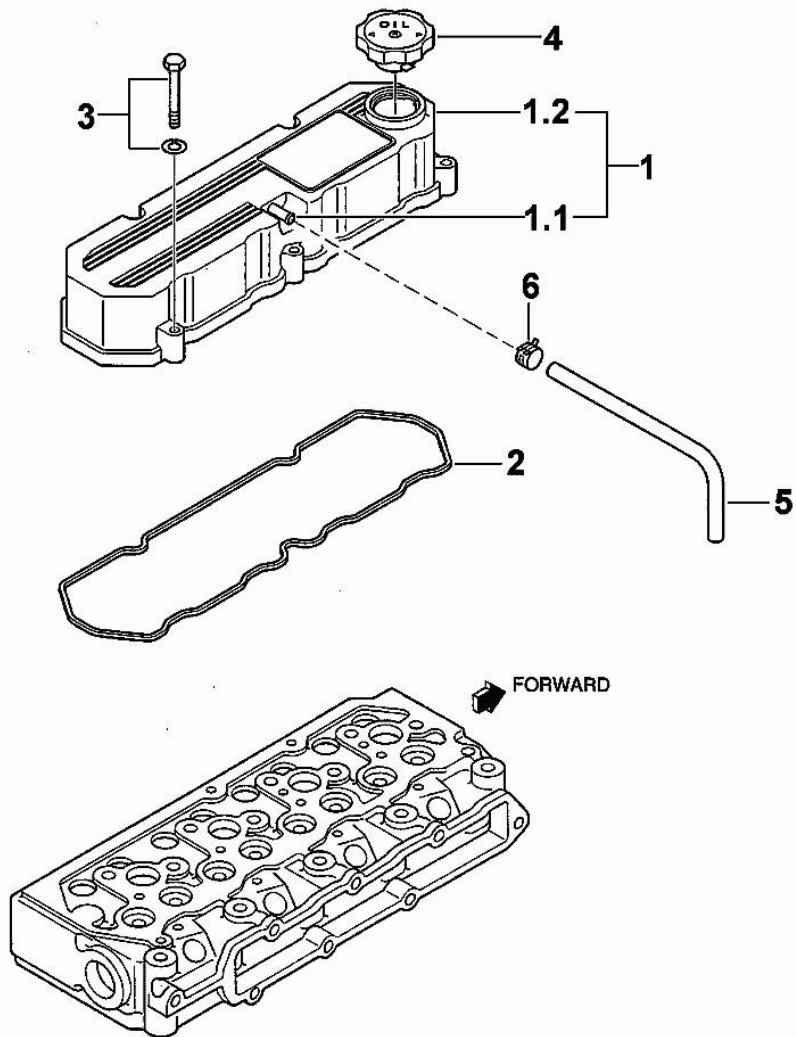
MIT_H36_004-A-001

01021-013E

Section: B0 - ENGINE

CYLINDER HEAD

Fig.	P/n	QTY	Name
1	0.010.2647.1	1	cover
1.1	0.000.0000.1		cannot be supplied
1.2	0.000.0000.1		cannot be supplied
2	0.010.2647.2	1	gasket
3	0.010.2645.2	5	screw
4	0.009.4548.0	1	plug
5	0.009.4781.2	1	tube
6	0.010.2206.0	1	clamp

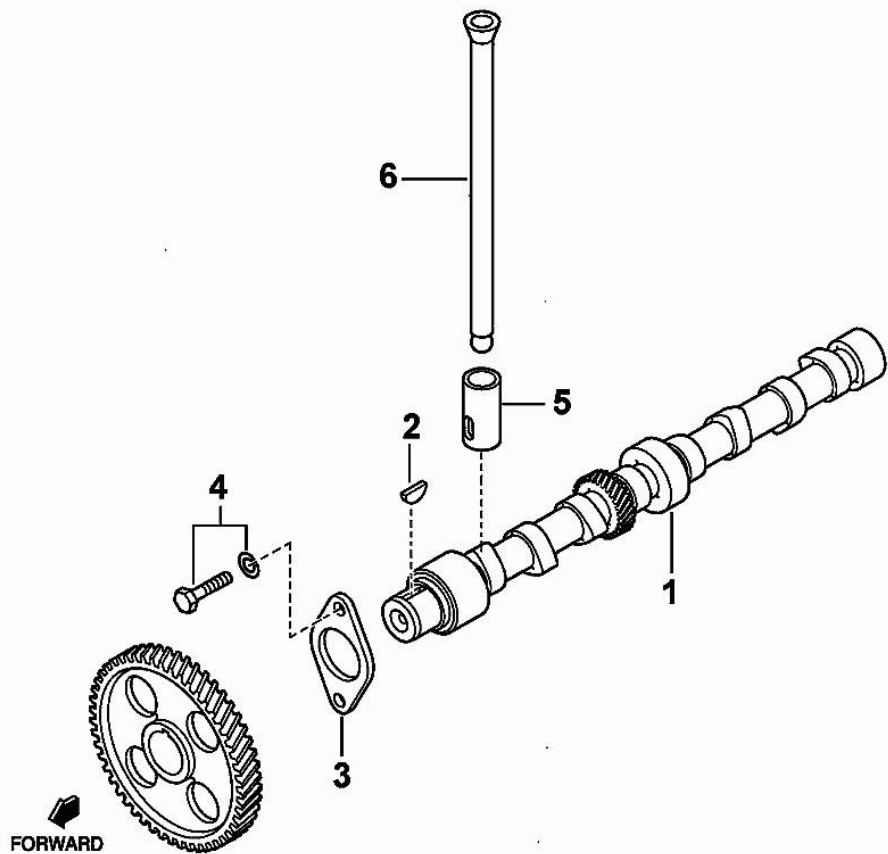


MIT_H36_006-A-001

01031-015E

CAMSHAFT

Fig.	P/n	QTY	Name
1	0.010.3949.2	1	camshaft
2	0.009.4555.1	1	key
3	0.010.3950.0	1	small plate
4	0.010.2639.1	2	screw
5	0.010.3950.1	8	tappets
6	0.010.2646.2	8	rod

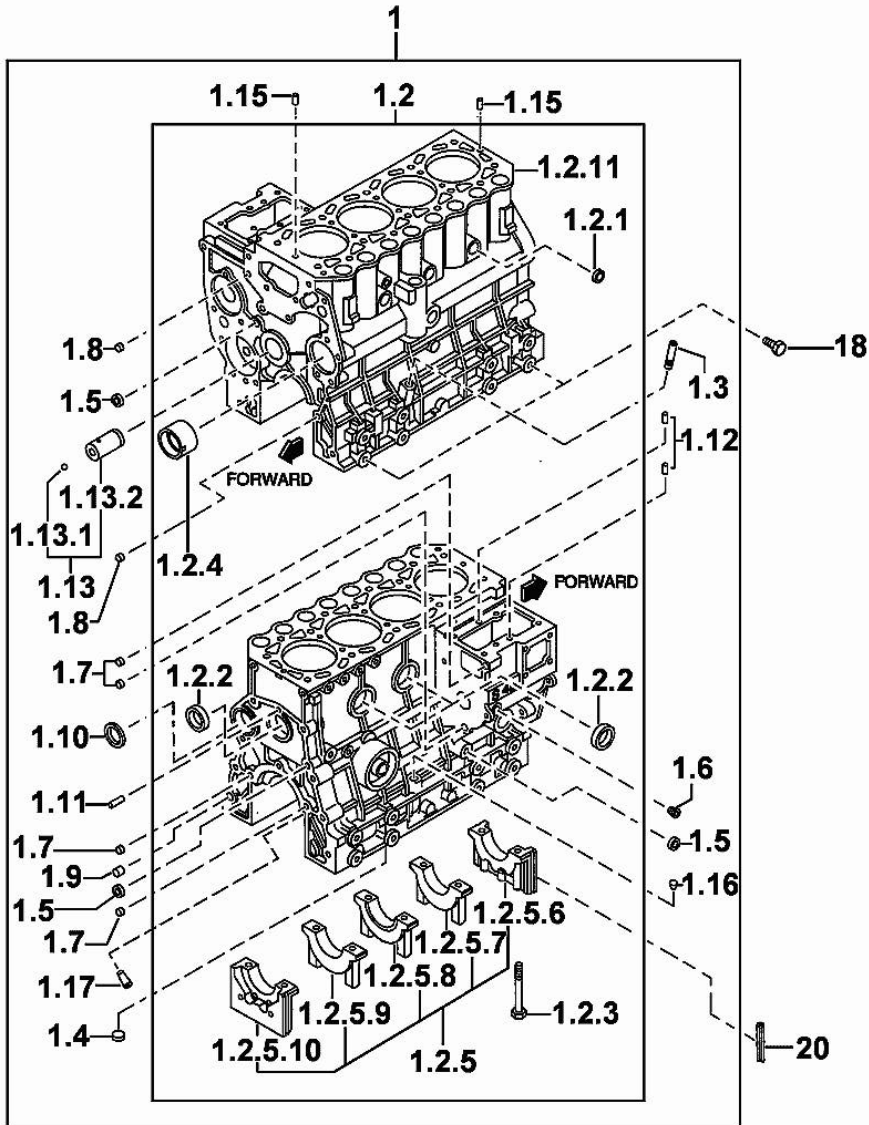


01031-016E

MIT_H36_007-A-001

CRANKCASE

Fig.	P/n	QTY	Name
1	0.010.3986.2	1	crankcase
1.2	0.000.0000.1		cannot be supplied
1.2.1	0.010.2652.1	3	special bushing
1.2.2	0.010.2652.2	3	special bushing
1.2.3	0.010.2653.0	10	screw
1.2.4	0.010.2653.1	1	special bushing
1.2.5	0.000.0000.1		cannot be supplied
1.2.5.6	0.000.0000.1		cannot be supplied
1.2.5.7	0.000.0000.1		cannot be supplied
1.2.5.8	0.000.0000.1		cannot be supplied
1.2.5.9	0.000.0000.1		cannot be supplied
1.2.5.10	0.000.0000.1		cannot be supplied
1.2.11	0.000.0000.1		cannot be supplied
1.3	0.009.4523.2	1	guide
1.4	0.010.2649.0	1	plug
1.5	0.010.2649.1	3	special bushing
1.6	0.009.4545.1	1	plug
1.7	0.009.4524.2	4	special bushing
1.8	0.009.4525.1	2	special bushing
1.9	0.009.4525.2	1	special bushing
1.10	0.009.4524.1	1	expansion plug
1.11	0.010.3951.0	1	pin
1.12	0.009.4523.0	2	pin
1.13	0.010.2650.0	1	pin
1.13.1	0.010.2650.1	1	ball
1.13.2	0.000.0000.1		cannot be supplied
1.15	0.010.2651.0	2	pin
1.16	0.010.2651.1	1	plug
1.17	0.010.3961.2	4	sprayers
18	0.010.2648.1	4	screw
20	0.010.2651.2	4	gasket

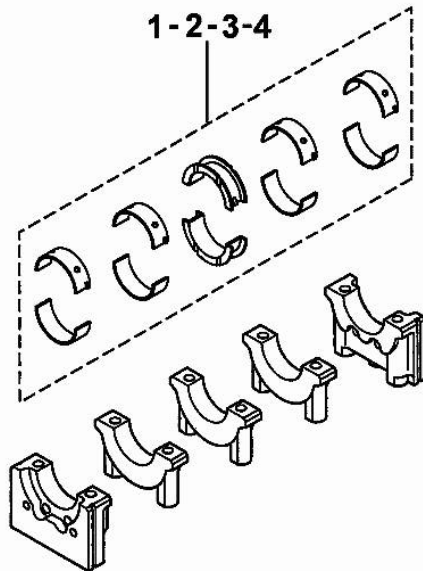
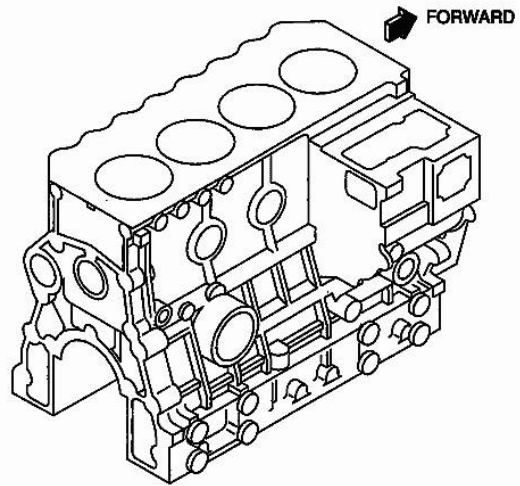


MIT_H36_010-A-001

01041-019E 47CV

MAIN BEARINGS

Fig.	P/n	QTY	Name
1	0.010.2656.2	1	main half bushing STANDARD
2	0.010.2657.0	1	main half bushing - mm 0.25
3	0.010.2657.1	1	main half bushing - mm 0.50
4	0.010.2657.2	1	main half bushing - mm 0.75



MIT_H36_012-A-001

0104B1-001E

TIMING CASE

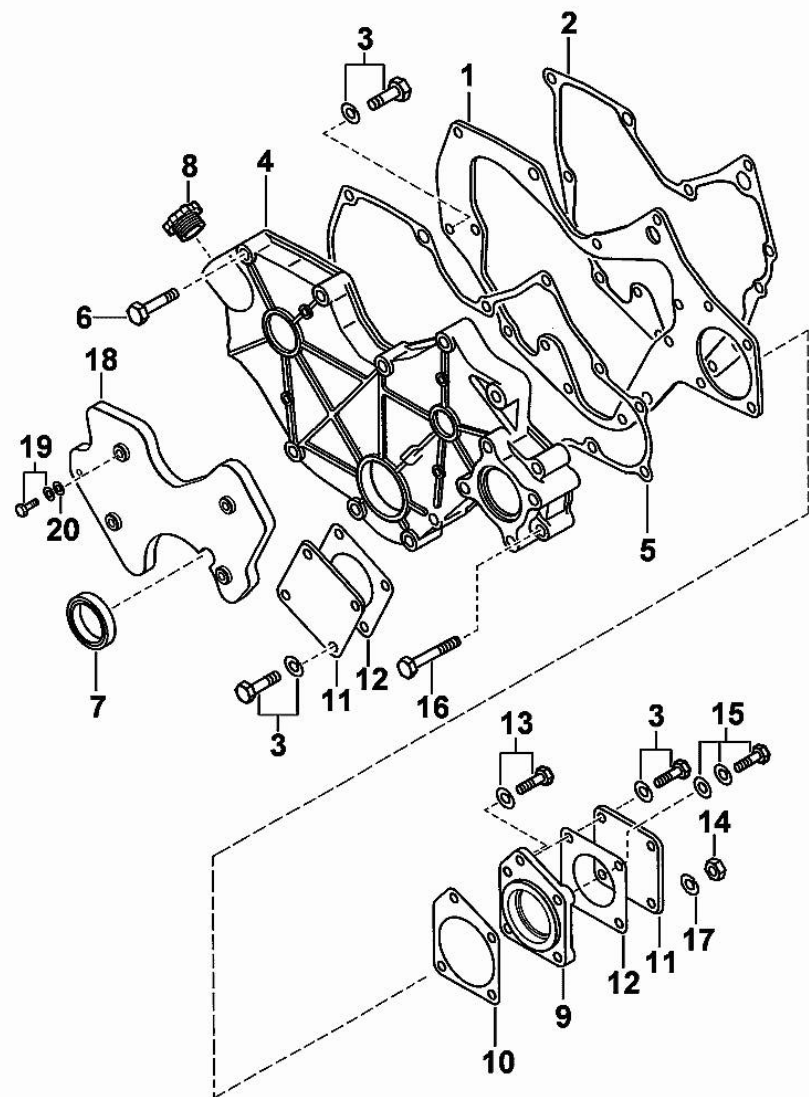


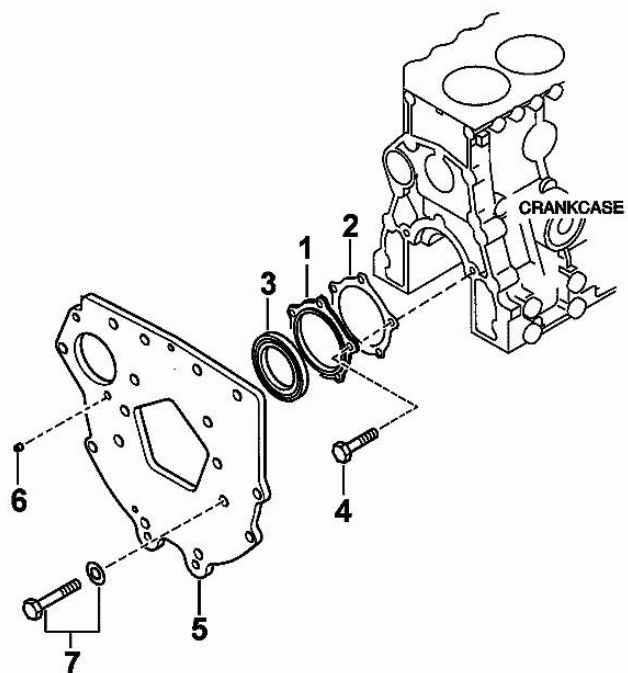
Fig.	P/n	QTY	Name
1	0.010.2658.0	1	plate
2	0.010.2658.1	1	gasket
3	0.010.2639.1	10	screw
4	0.010.3951.1	1	flange
5	0.010.2659.0	1	gasket
6	0.010.2659.1	8	screw
7	0.009.4537.0	1	gasket
8	0.010.3951.2	1	plug
9	0.010.2660.0	1	flange
10	0.010.2660.1	1	gasket
11	0.009.4756.0	2	cover
12	0.010.3952.0	2	gasket
13	0.010.2661.0	1	screw
14	0.010.2661.1	2	nut
15	0.010.3952.1	1	screw
16	0.010.3952.2	2	screw
17	0.009.4539.2	2	spring washer
18	0.010.3953.0	1	cover
19	0.010.2662.2	4	screw
20	0.010.2663.0	4	washer

MIT_H36_013-A-001

01051-018

FLYWHEEL HOUSING

Fig.	P/n	QTY	Name
1	0.010.2654.2	1	flange
2	0.010.2655.0	1	gasket
3	0.010.2655.1	1	special oil seal
4	0.010.2655.2	5	screw
5	0.010.3953.1	1	flange
6	0.009.4532.2	1	pin
7	0.010.3953.2	10	screw

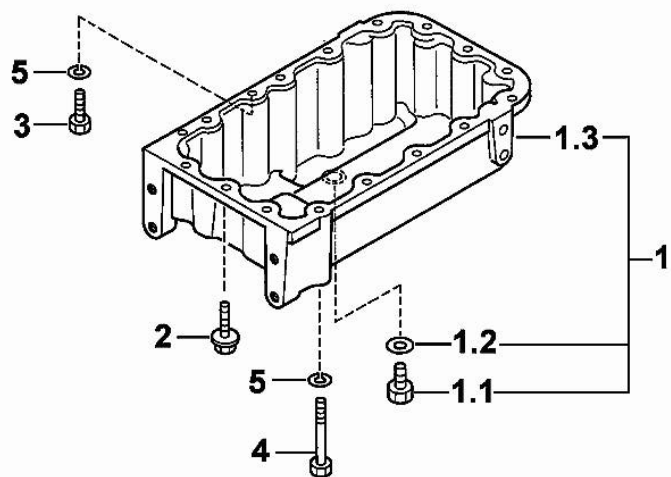
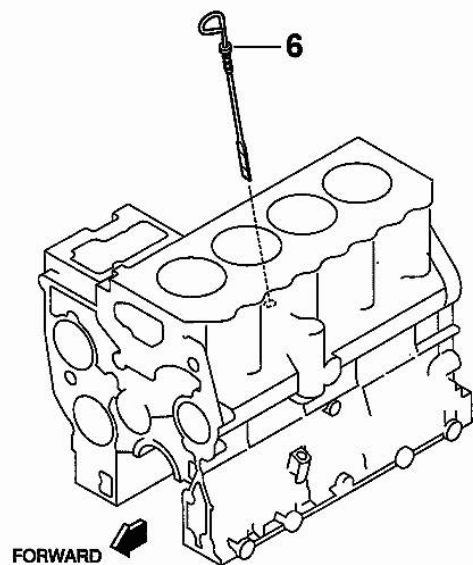


MIT_H36_014-A-001

01061-019E

OIL PAN

Fig.	P/n	QTY	Name
1	0.010.3954.0	1	oil sump
1.1	0.010.2664.0	1	plug
1.2	0.010.2663.2	1	gasket
1.3	0.000.0000.1		cannot be supplied
2	0.010.3954.1	12	screw
3	0.010.2664.2	1	screw
4	0.010.2665.0	4	screw
5	0.010.2665.1	5	washer
6	0.010.2687.1	1	dipstick



MIT_H36_015-A-001

01071-038E

PISTON - CONNECTING ROD

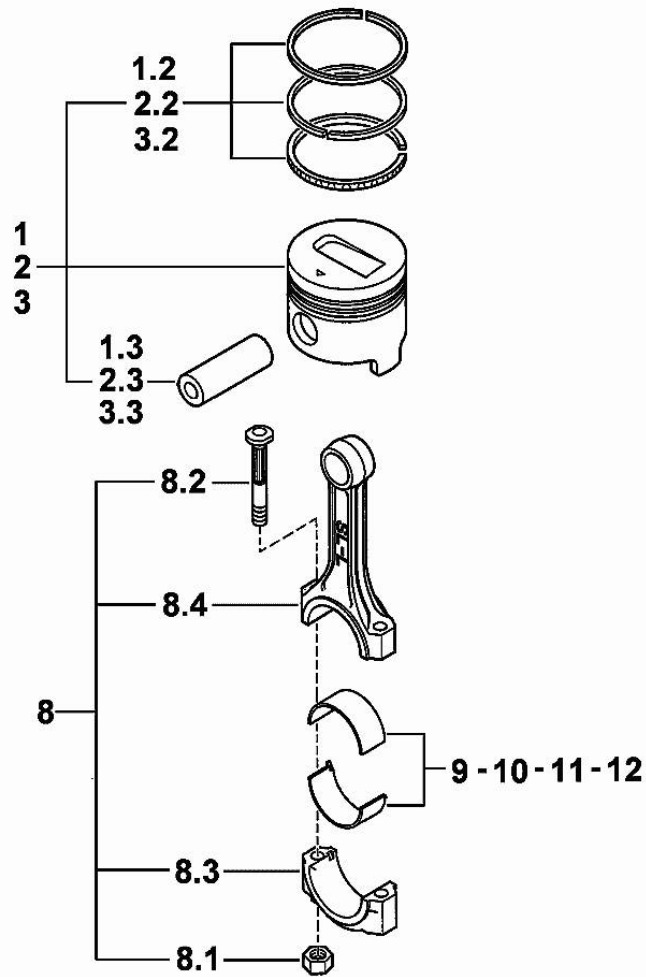


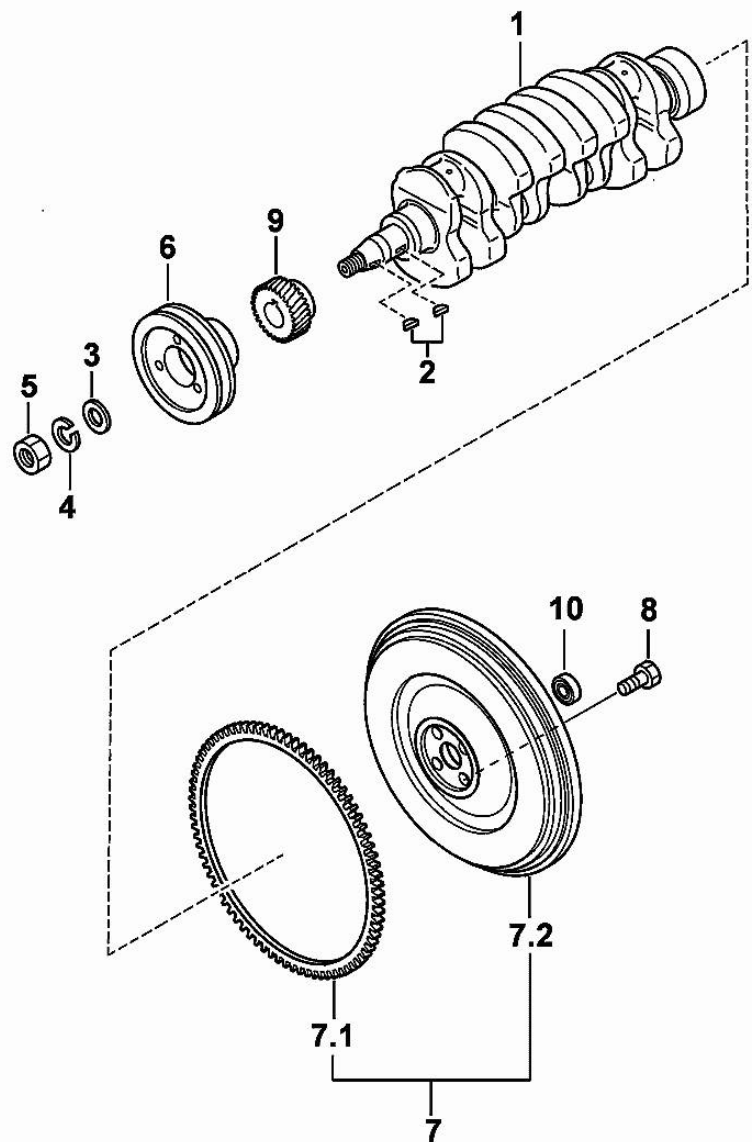
Fig.	P/n	QTY	Name
1	0.M88.0060.6	4	complete piston STANDARD
1.2	0.008.0052.6	4	piston ring set STANDARD
1.3	0.010.2668.0	4	piston pin
2	0.M88.0061.6	4	complete piston + mm 0.25
2.2	0.008.0053.6	4	piston ring set + mm 0.25
2.3	0.010.2668.0	4	piston pin
3	0.M88.0062.6	4	complete piston + mm 0.50
3.2	0.008.0054.6	4	piston ring set + mm 0.50
3.3	0.010.2668.0	4	piston pin
8	0.010.3988.0	4	engine connecting rod
8.1	0.009.4783.0	8	nut
8.2	0.010.2668.2	8	screw
8.3	0.000.0000.1		cannot be supplied
8.4	0.000.0000.1		cannot be supplied
9	0.009.4782.1	4	con.rod half bushing STANDARD
10	0.010.2669.0	4	con.rod half bushing - mm 0.25
11	0.010.2669.1	4	con.rod half bushing - mm 0.50
12	0.010.2669.2	4	con.rod half bushing - mm 0.75

MIT_H36_018-A-001

0108A1-002 47CV

CRANKSHAFT - FLYWHEEL

Fig.	P/n	QTY	Name
1	0.010.3988.1	1	crankshaft
2	0.009.4555.1	2	key
3	0.009.4554.2	1	flat washer
4	0.009.4555.0	1	spring washer
5	0.009.4554.1	1	nut
6	0.010.2672.2	1	pulley
7	0.010.3954.2	1	flywheel
7.1	0.010.2671.0	1	crown wheel Z=110
7.2	0.000.0000.1		cannot be supplied
8	0.009.4557.0	4	screw
9	0.010.3955.0	1	gear Z = 28
10	0.009.4556.1	1	special bearing

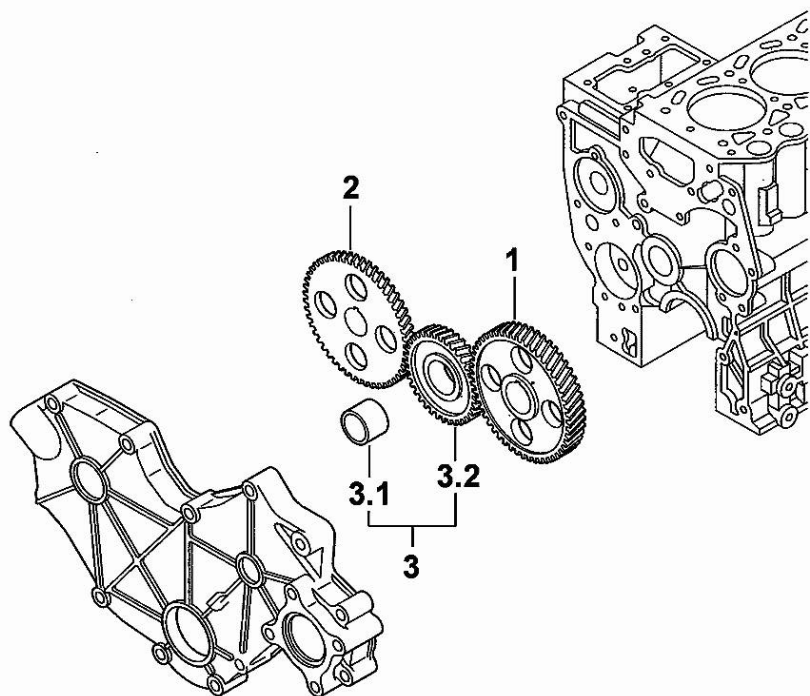


MIT_H36_020-A-001

0108B1-021 47CV

CAMSHAFT

Fig.	P/n	QTY	Name
1	0.010.3955.1	1	gear z=56
2	0.010.3955.2	1	gear z=56
3	0.010.3956.0	1	gear z=39
3.1	0.000.0000.1		cannot be supplied
3.2	0.000.0000.1		cannot be supplied



MIT_H36_021-A-001

01091-020E

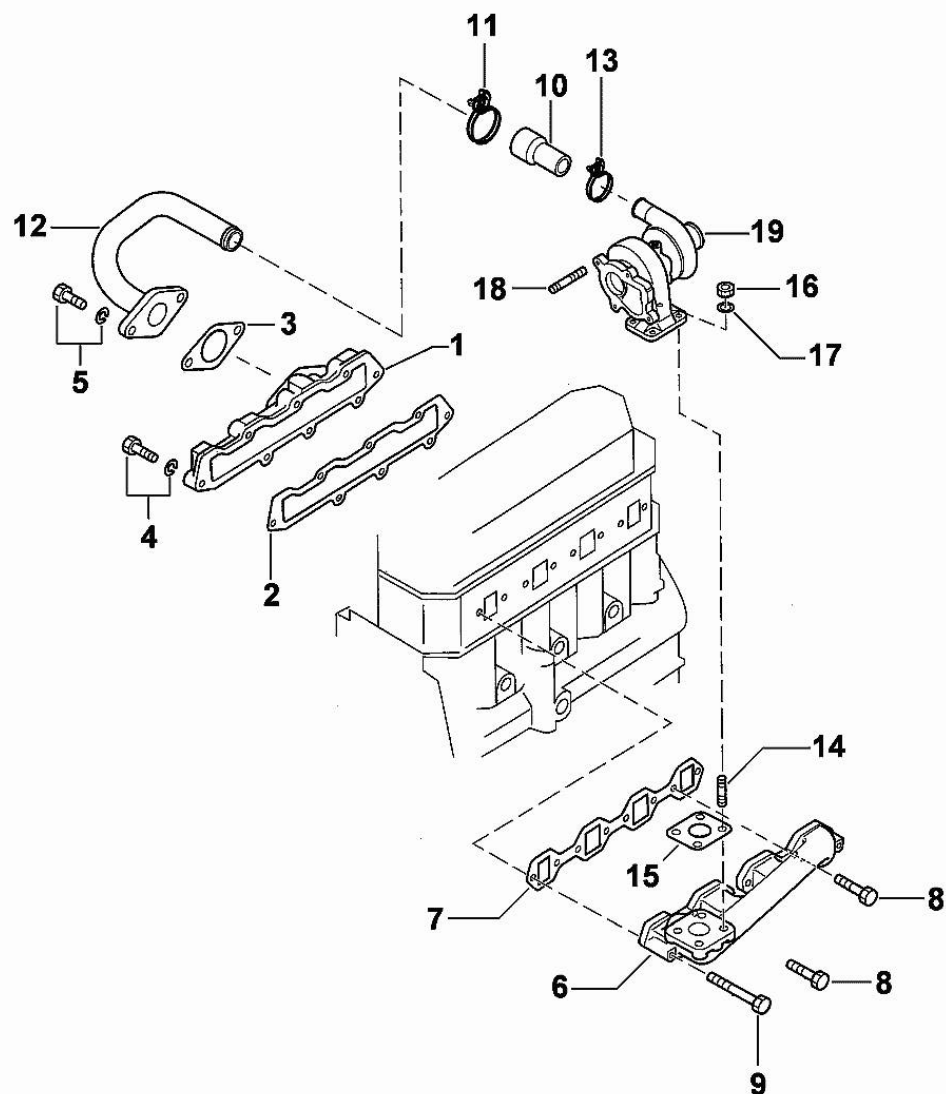
INTAKE AND EXHAUST

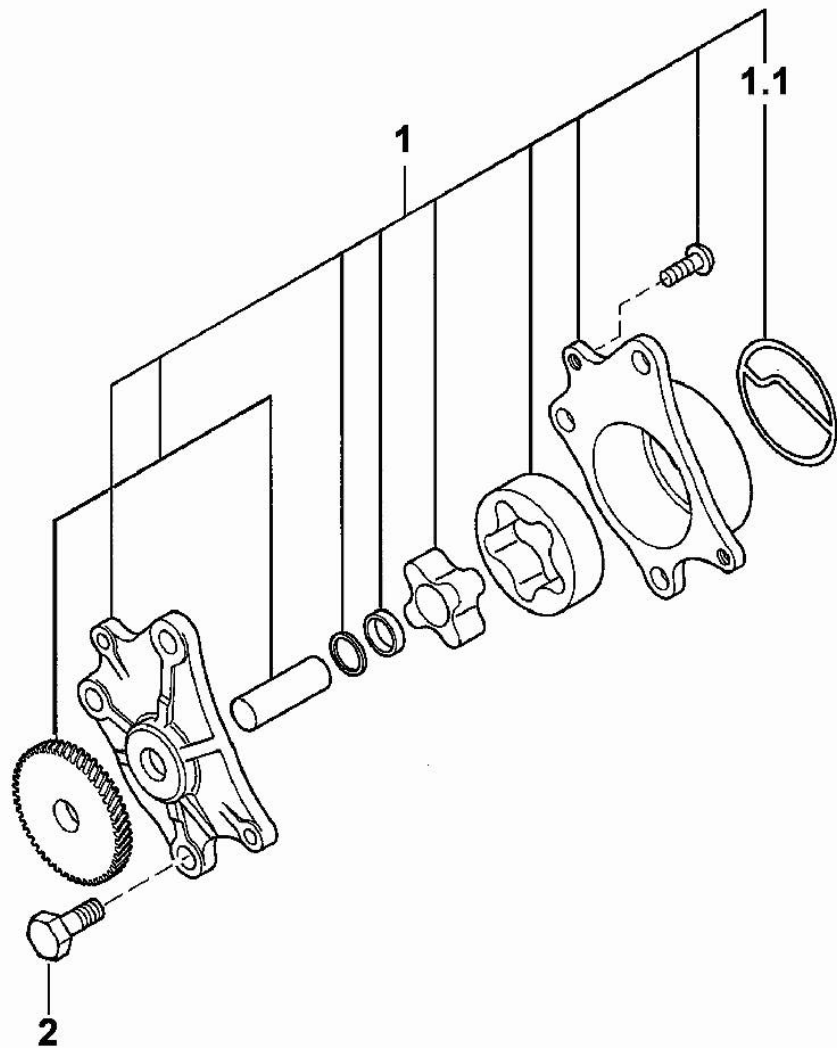
Fig.	P/n	QTY	Name
1	0.010.3975.0	1	cover
2	0.010.3975.1	1	gasket
3	0.010.2676.2	1	gasket
4	0.010.2677.0	8	screw
5	0.010.2677.1	2	screw
6	0.010.3975.2	1	exhaust manifold
7	0.010.2680.1	1	gasket
8	0.010.3956.2	6	screw
9	0.010.3957.0	2	screw
10	0.010.3976.0	1	sleeve
11	0.010.3993.0	1	clamp
12	0.010.3973.1	1	tube
13	0.010.3976.1	1	clamp
14	0.009.4796.1	4	stud bolt
15	0.010.3976.2	1	gasket
16	0.009.4799.2	4	nut
17	0.009.4842.0	4	flat washer
18	0.009.4842.1	4	stud bolt
19	0.010.3977.0		turbo charger

MIT_H36_024-A-001

02011-034E

OIL PUMP

Fig.	P/n	QTY	Name
1	0.010.2684.2	1	oil pump
1.1	0.010.2685.0	1	gasket
2	0.010.2685.1	3	screw



03011-001E

MIT_H36_025-A-001

Thank you so much for reading.
Please click the “Buy Now!”
button below to download the
complete manual.



After you pay.

You can download the most
perfect and complete manual in
the world immediately.

Our support email:

ebooklibonline@outlook.com