

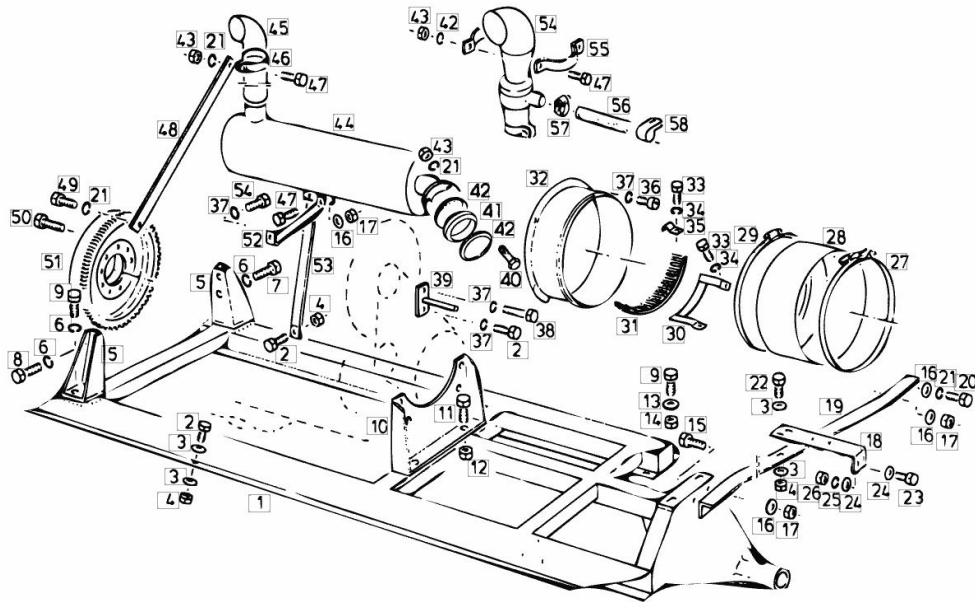
Section: ENGINE

ENGINE ASSEMBLY PARTS

Fig.	P/n	QTY	Name
------	-----	-----	------

Notes:

- 4919 / TYP 4040 103 KW / 140 PS + 4920 / TYP 4040 110 KW / 150 PS TYP 4045 118 KW / 160 PS
 ----- [STARLINER 4040]

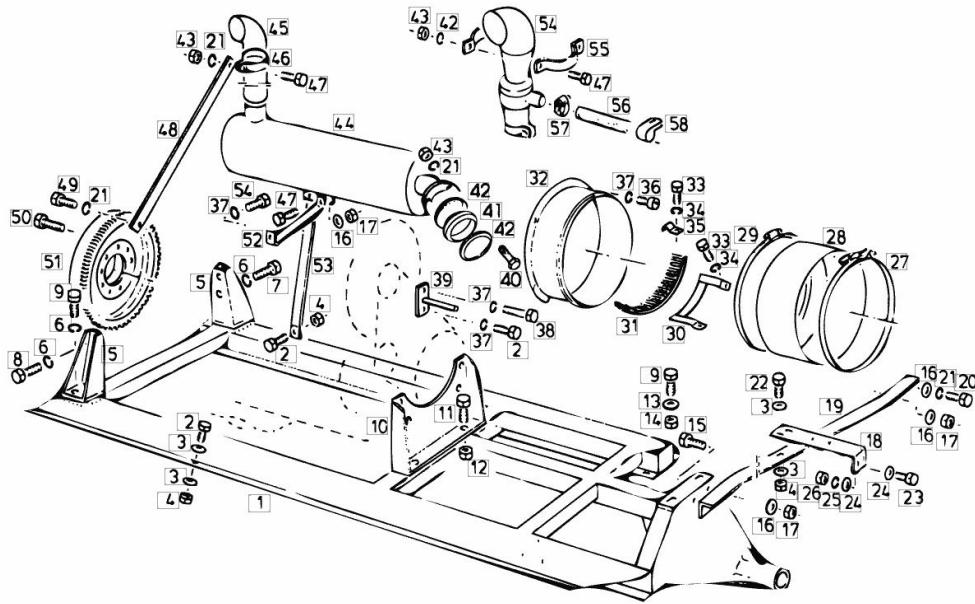


1	06513657	1	chassis frame
2	01112322	4	screw m 8 p.1.25 x 20
3	01107163		washer 9, d126
4	01104944	5	nut m 8, d985
5	06254961	2	bracket
6	01102801	8	washer 12
7	01112554	1	screw m 12 x 45
8	01112547	3	screw m 12 x 40, d933
9	01112529	8	screw m 12 x 30, d933
10	06288037	1	console
11	01112661	2	screw
12	01127856	2	nut m 16, d985
13	06214206		washer 13.2
14	06209769	8	nut m 12, d985
15	01112429	2	screw m 10 x 30, d933
16	01107165		washer 10.5
17	06209768	5	nut m 10, d985
18	16007751	1	square
19	16007711	1	square
20	01112439	1	screw m 10 x 35, d933
21	01102800		washer 10.2
22	01112333	2	screw m 8 x 25, d933
23	01112264	2	screw m 6 x 20, d933
24	06214189	2	washer 6.4
25	01102797	2	washer 6, d128
26	01112813	2	nut m 6
27	01141628	1	fascia 325 d
28	06513719	1	screw
29	06216476	1	bracket 310-330/12
30	06513222	1	support
31	06260362	1	bushing
32	06513681	1	ring G 30-35
33	01112240	5	screw m 6 x 12
34	01102797	5	washer 6, d128
35	01115942	3	clamp 7
36	01126918	4	screw m 8 p.1.25 x 20
37	01102799	14	washer 8, d128
38	01111186	1	screw m 8 x 75
39	06513291	1	pin

Section: ENGINE

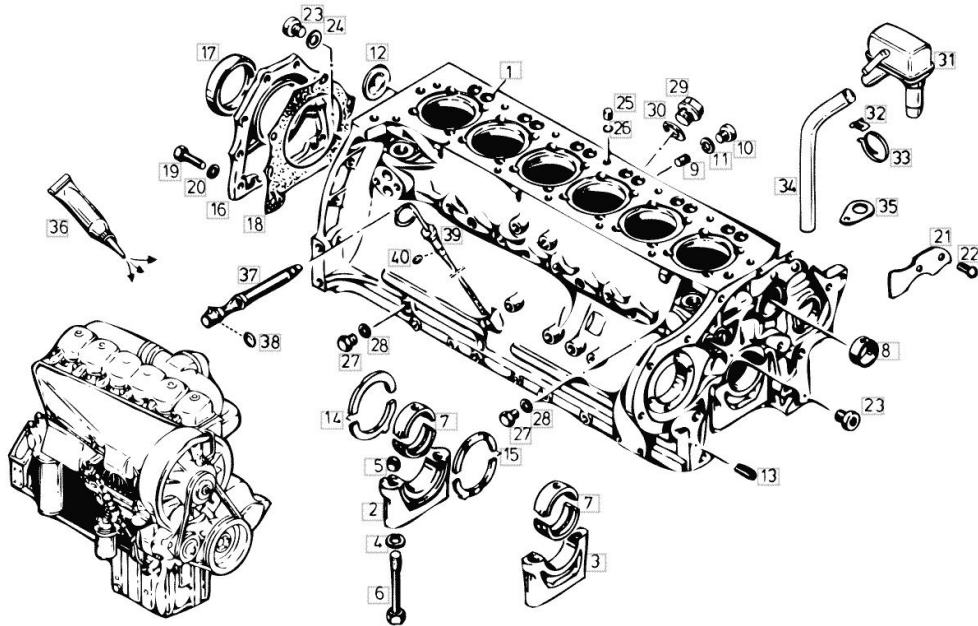
ENGINE ASSEMBLY PARTS

Fig.	P/n	QTY	Name
40	01112447	4	screw m 10 x 40
41	02420249	1	gasket
42	04183515	2	gasket
43	01102659	4	nut m 10, d934 - 4919 / TYP 4040 103 KW / 140 PS + 4920 / TYP 4040 110 KW / 150 PS TYP 4045 118 KW / 160 PS
44	16033944	1	silencer
45	06547029	1	exhaust pipe
46	01120895	2	fascia Ø 75
47	01112418	4	screw m 10 x 25, d933
48	06547104	1	carrier TYP 4040
48.1	06547028	1	carrier TYP 4045
49	01112407	1	screw m 10 x 20, d933
50	01104847	10	screw TYP 4040
50.1	01104935	10	screw TYP 4045
51	06254978	1	flywheel TYP 4040 / B A08
51.1	02240193	1	flywheel TYP 4045 / B A08
52	06538649	1	brace
53	06283961	1	brace
54	06513395	1	tube W
55	06279395	2	fascia W
56	06530905	1	tube W / 2500 MM
57	01173968	2	clamp Ø 25/40 W
58	04336881	4	clamp Ø 38 W



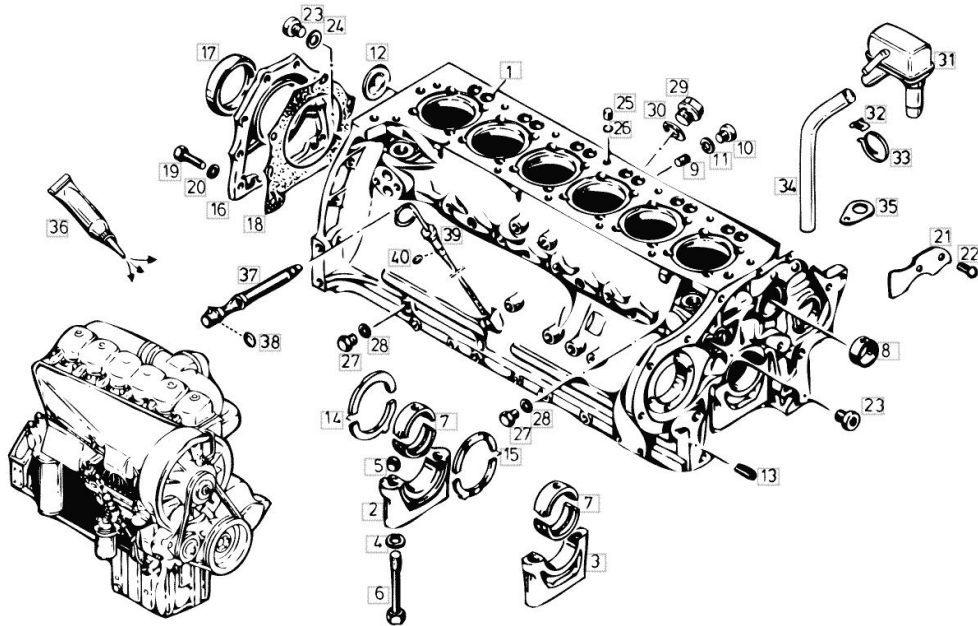
Section: ENGINE
ENGINE BEARING

Fig.	P/n	QTY	Name
Notes: [STARLINER 4040]			
1	04156259	1	crankcase G 2-6,8-13,21-30
2	02138188	1	cover
3	02138189	6	cover
4	01216107	14	washer 15x23x1,5
5	03362279	14	bushing
6	02233313	14	screw
7	02235185	7	bearing D 75,00 MM
7.1	02235189		bearing D 74,75 MM
7.2	02235192		bearing D 74,50 MM
7.3	02235194		bearing D 74,25 MM
7.4	02235196		bearing D 74,00 MM
7.5	02235198		bearing D 73,75 MM
7.6	02235200		bearing D 73,50 MM
7.7	02235240		bearing D 74,75/79,50 MM
8	02139737	1	bushing
9	01215235	7	plug
10	01110422	7	screw
11	01118673	7	oil seal
12	01216240	1	disc
13	01167266	2	bush
14	02230196	1	shim 3,00 MM
14.1	02230197		shim 3,25 MM
14.2	02230198		shim 3,50 MM
14.3	02230199		shim 3,75 MM
14.4	02230200		shim 4,00 MM
15	02230201	1	shim 3,00 MM



Section: ENGINE
ENGINE BEARING

Fig.	P/n	QTY	Name
15.1	02230202		shim 3,25 MM
15.2	02230203		shim 3,50 MM
15.3	02230204		shim 3,75 MM
15.4	02230205		shim 4,00 MM
16	02234870	1	cover
17	04230392	1	special oil seal
18	03362337	1	gasket
19	01112322	8	screw m 8 p.1.25 x 20
20	01107101	8	washer 8.4
21	02231082	1	plate
22	01115333	2	self tapping screw
23	01214987	2	screw
24	01118727	2	oil seal
25	01170580	5	plug
26	01167010	5	washer
27	01118997	5	screw cm10x1
28	01118659	5	oil seal
29	01118986	1	plug am26x1,5 d7604
30	01118760	1	gasket 26x31
31	02139682	1	box
32	01166343	1	clamp
33	01166345	1	band
34	01400708	1	flexible hose 19x27x450 - 5322
34.1	16022140	1	tube + 5323
35	02138266	1	fan
36	01016120		compound 1 kg
36.1	01001202		gasket
37	04231147	6	injector assembly
38	01173838	6	oil seal
39	01176369	1	dipstick G 39,40
40	01174311	1	oil seal

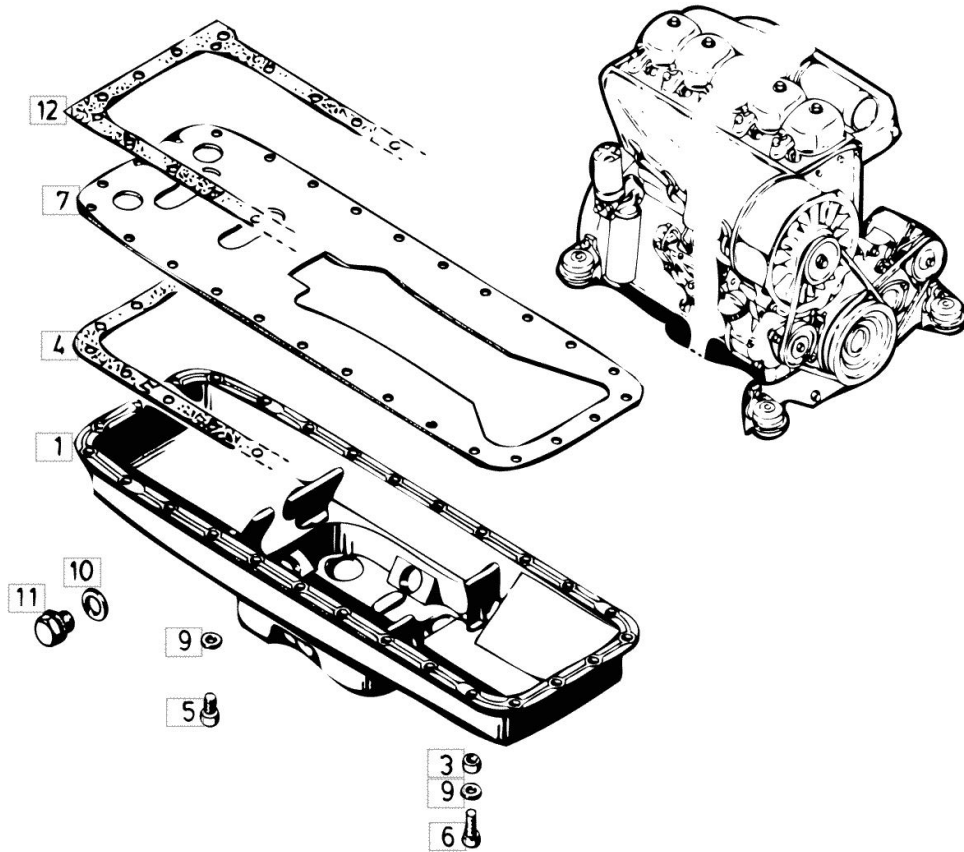


Section: ENGINE
ENGINE OIL PAN

Fig.	P/n	QTY	Name
------	-----	-----	------

Notes:
 [STARLINER 4040]

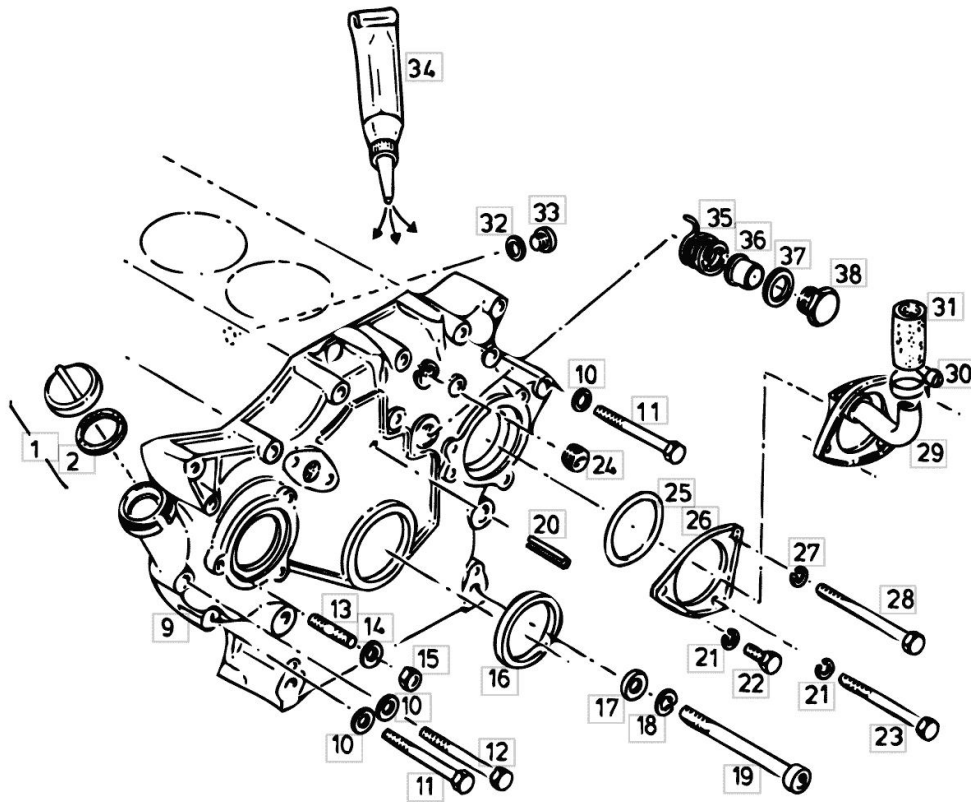
1	02234521	1	oil sump
3	01216151	1	bushing
4	04157240	1	gasket
5	01102193	26	screw m 8 x 16
6	01110577	1	screw m 8 x 25
7	04161492	1	division
9	01107548	27	washer 8.4
10	01118783	1	oil seal
11	01118989	1	plug
12	03362581	1	gasket



Section: ENGINE
ENGINE FRONT COVER

Fig.	P/n	QTY	Name
------	-----	-----	------

Notes:
 [STARLINER 4040]



1	01236291	1	plug
2	01216293	1	oil seal
9	04153259	1	cover
10	01107101	5	washer 8.4
11	01111179	3	screw m 8 x 70, d931
12	01127046	1	screw m 8 x 60
13	01174191	1	screw m 8 x 25
13.1	01174192	1	screw
14	01216108	2	washer
15	01112824	2	nut m 8, d934
16	04154144	1	special oil seal
17	01107556	16	washer
18	01127679	4	spring washer
19	01102281	4	screw m14x100 d912
20	01115460	1	pin
21	01102799	2	washer 8, d128
22	01112295	1	screw m 8 x 10
23	01122399	1	screw
24	01165788	1	plug m 18 x 1,5
25	01166111	1	oil seal
26	NE		plate
27	01102800	1	washer 10.2
28	01111336	1	screw m 10 x 75
29	02233056	1	cover B A25
30	01173962	2	clamp Ø 20/32 B A25
31	01175630	1	sleeve 22x29x71 B A25
32	01118673	1	oil seal
33	01110422	1	screw
34	01016120		compound 1 kg
35	02237638	1	spring B A12
36	02135019	1	tube B A12
37	01118750	1	oil seal B A12
38	04230057	1	screw B A12

Section: ENGINE

ENGINE COVER WITH IDLER PULLEY

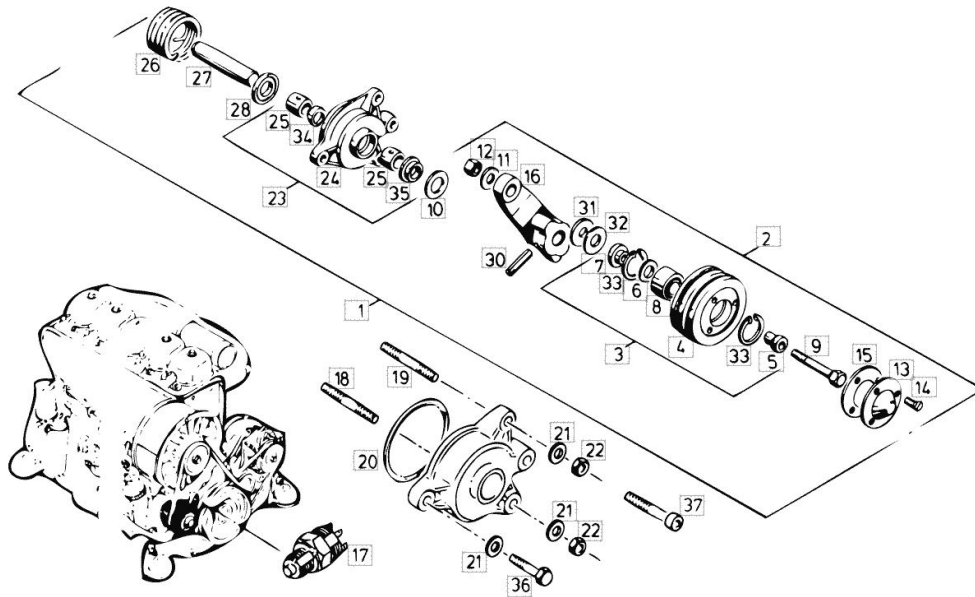


Fig.	P/n	QTY	Name
------	-----	-----	------

Notes:

[STARLINER 4040]

1	04152514	1	tensioner
2	04152524	1	pulley
3	02237959	1	pulley
4	02237846	1	pulley
5	02237849	1	bush
6	02237850	1	washer
7	02237848	1	ring
8	01171646	1	ball bearing
9	01111317	1	screw m 10x60 d931
10	04150578	1	shim
11	01107105	1	washer 10.5
12	01102659	1	nut m 10, d934
13	02237847	1	cover
14	01136951	3	screw
15	02136434	1	gasket
16	04152532	1	lever
17	04191001	1	push-button B A06
18	01174192	1	screw
19	01174191	1	screw m 8 x 25
20	01166111	1	oil seal
21	01216108	3	washer
22	01112824	2	nut m 8, d934
23	04153128	1	cover
24	04153130	1	cover
25	02238022	2	bushing
26	02238021	1	spring
27	02238081	1	shaft
28	02238083	1	washer
30	01115474	1	pin
31	01216123	3	washer
32	01216095	2	washer
33	01107818	2	ring
34	02238084	1	bushing
35	04158766	1	oil seal
36	01174194	1	screw
37	NE		plate

Section: ENGINE

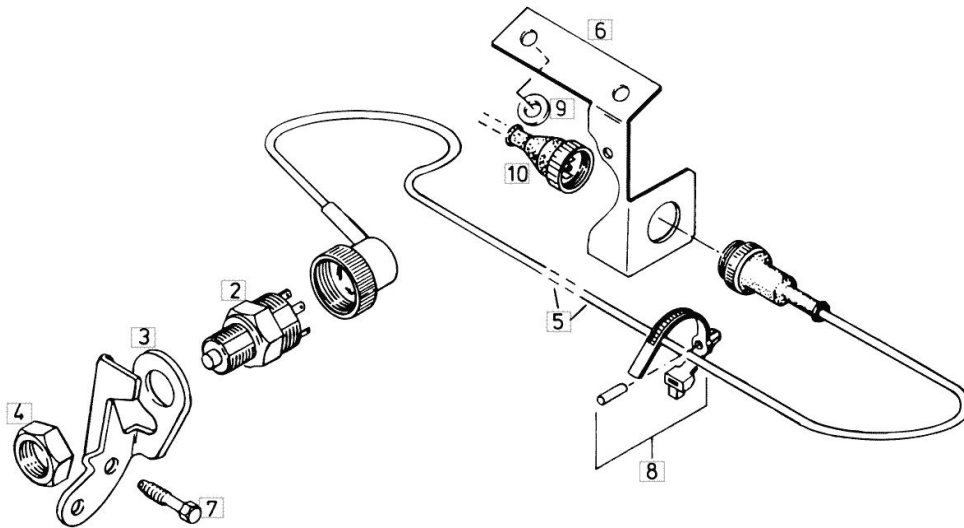
ENGINE STOP-SWITCH MOUNTING

Fig.	P/n	QTY	Name
------	-----	-----	------

Notes:

[STARLINER 4040]

2	04191001	1	push-button
3	02245062	1	console
4	01101294	1	nut
5	02248490	1	tube B H07
6	04154610	1	console
7	01171763	1	screw m 8 p.1.25 x 20
8	01172979	1	band
9	03382693	1	washer
10	02245054	1	socket B H07



Section: ENGINE

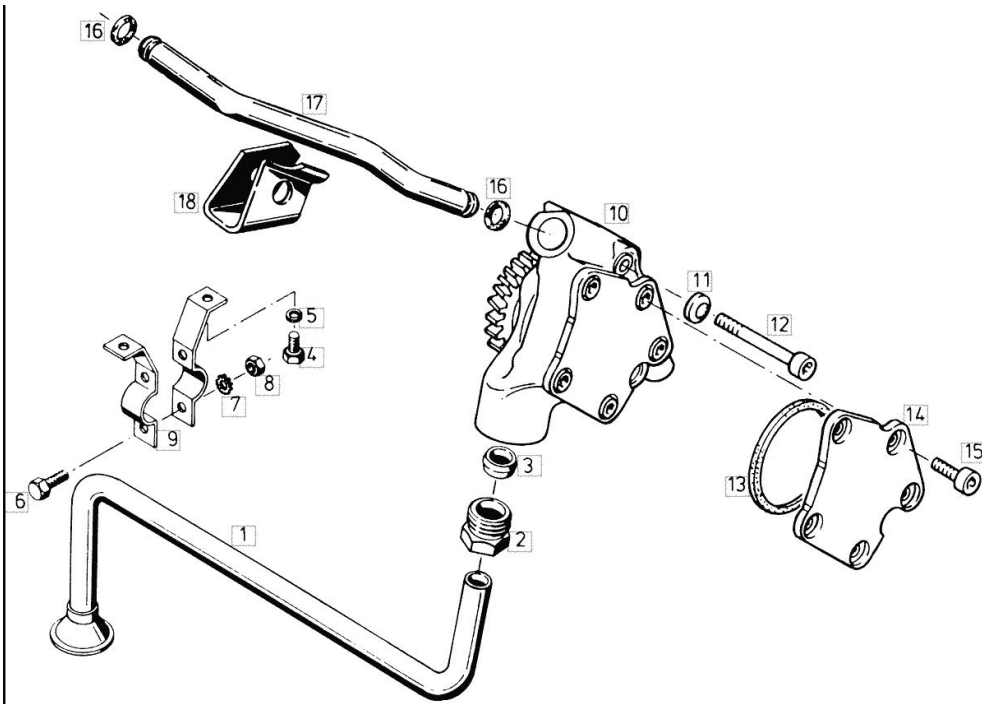
ENGINE OIL PUMP

Fig.	P/n	QTY	Name
------	-----	-----	------

Notes:

[STARLINER 4040]

1	02240926	1	primer
2	01213241	1	screw
3	01213240	1	ring
4	01112297	2	screw m8x12 d933
5	01102799	2	washer 8, d128
6	01103316	2	screw m 6 p.1.0 x 16
7	01117861	2	washer
8	01112813	2	nut m 6
9	02136648	2	fascia
10	04230787	1	hydraulic pump G 10, 13-15
11	01169689	2	washer
12	01110606	2	screw
13	02137612	1	oil seal
14	02237234	1	cover
15	02237346	1	screw
16	01174605	2	oil seal
17	02239983	1	tube
18	02138201	1	spring



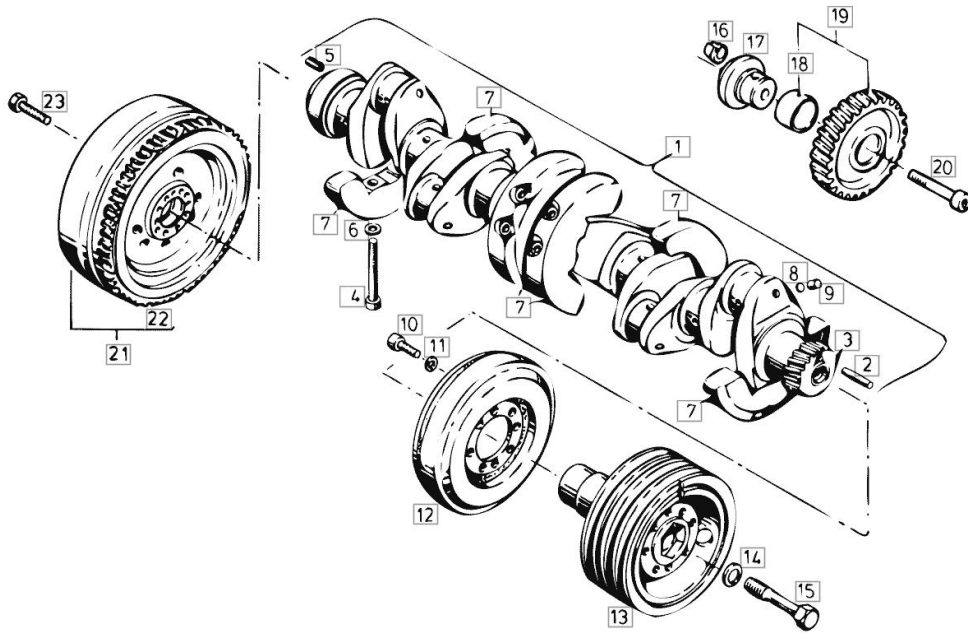
Section: ENGINE

ENGINE CRANKSHAFT

Fig.	P/n	QTY	Name
------	-----	-----	------

Notes:

[STARLINER 4040]



1	02234781	1	crankshaft
2	01105166	1	cylindrical plug 8x45 d7
3	02237257	1	gear
4	01137280	12	screw m12x60 d912-10
5	01157357	1	grub screw
6	01216119	12	washer 13x21x1,5
7	02231747	6	counterweight
8	01167010	6	washer
9	01170580	6	plug
10	01110561	8	screw m8x20 d912-10
11	01172303	8	washer
12	02233098	1	shock absorber
13	04156155	1	pulley
14	01216128	1	washer
15	01166951	1	screw
16	04156283	1	bush
17	04156284	1	pin
18	03362538	1	bushing
19	04153996	1	gear wheel
20	01110688	1	screw
21	06254978	1	flywheel
21.1	02240193	1	flywheel TYP 4040 / B A01
22	02131081	1	flywheel TYP 4045 / B A01
23	01104847	10	crown wheel
23.1	01104935	10	screw TYP 4040
			screw TYP 4045

Section: ENGINE

ENGINE CYLINDER / PISTON

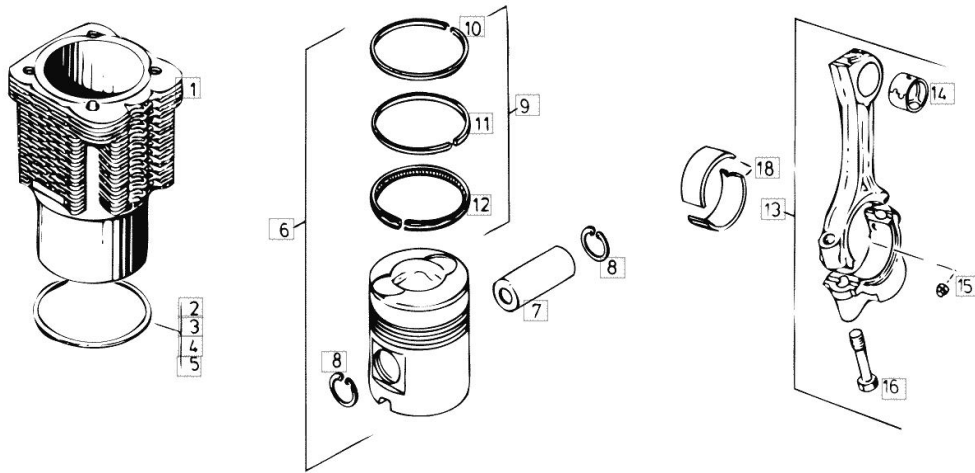


Fig.	P/n	QTY	Name
Notes:			
[STARLINER 4040]			
1	04156586	6	cylinder
2	02137256	12	shim mm 0.20 0,2 MM
2.1	04153358		ring mm 0.3 0,3 MM
3	04231432	18	ring mm 0.50 0,5 MM
4	04150264	6	shim 0,8 MM
5	02239331	6	shim 1,0 MM
6	04158391	6	piston 102,00 MM
6.1	04158394		piston 102,50 MM
7	02133883	6	piston pin
8	01107827	12	circlip 40 x 1.75
9	04158393	6	piston ring set 102,00 MM
9.1	04158395		piston ring set 102,50 MM
10	01178898		ring 102,00 MM
10.1	01178900		circlip 102,50 MM
11	01178895		ring 102,00 MM
11.1	01178897		piston ring 102,50 MM
12	01178194		ring 102,00 MM
12.1	01178578		ring 102,50 MM
13	02232059	6	engine connecting rod
14	02138563	6	bush
15	02136101	6	pin
16	04157075	12	screw
18	02235183	6	conrod bearing 66,00 MM
18.1	02235204		bearing 65,75 MM

Thank you so much for reading.
Please click the “Buy Now!”
button below to download the
complete manual.



After you pay.

You can download the most
perfect and complete manual in
the world immediately.

Our support email:

ebooklibonline@outlook.com