

Section: ENGINE  
**CRANKCASE**

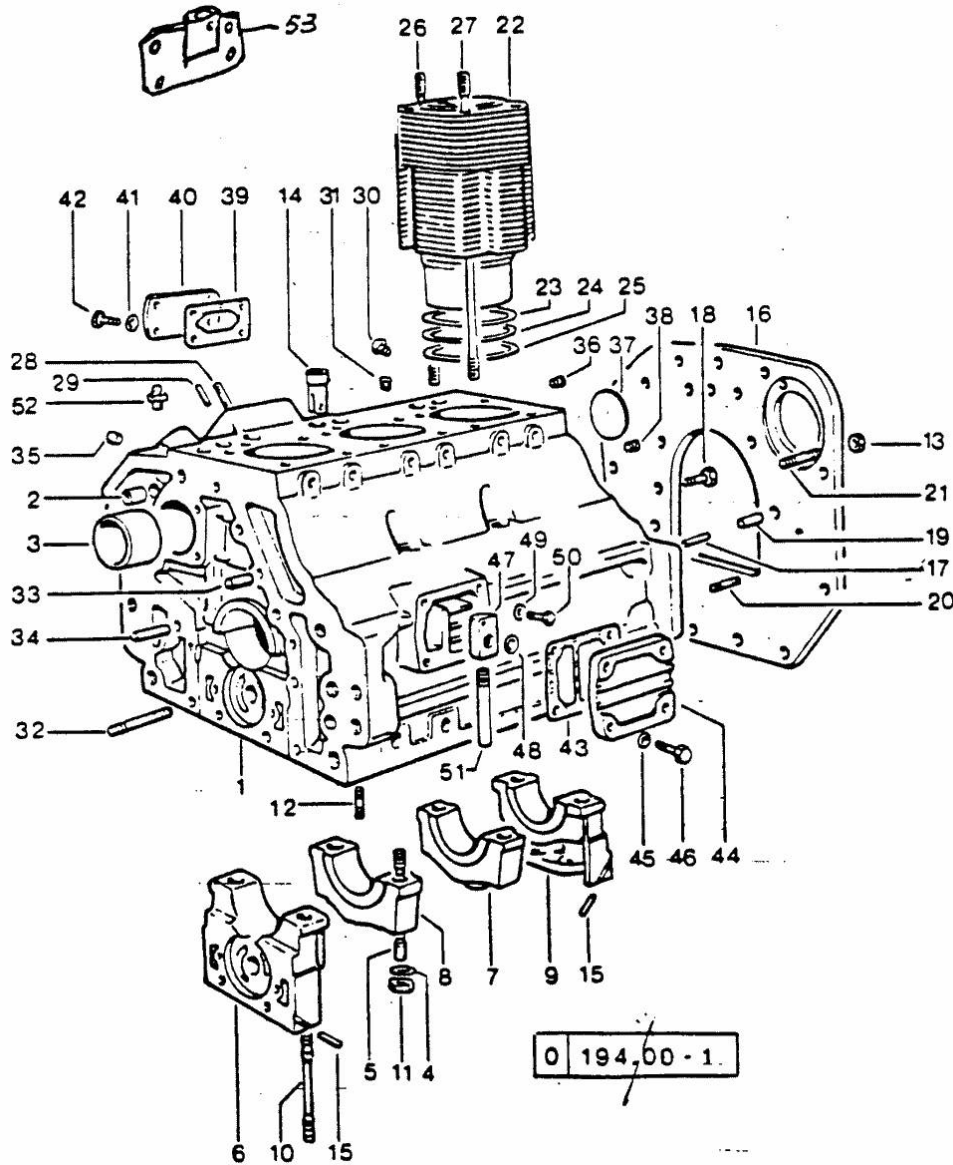


Fig.	P/n	QTY	Name
------	-----	-----	------

Notes:  
 [TAURUS 60 EX]

0	0.054.0050.6	1	gasket set
1	0.054.1110.4/20	1	crankcase
2	2.1559.111.0/20	2	special bushing
3	0.037.1155.0	1	bushing
4	2.1599.144.7	8	shoulder ring 12.5x23x4
5	0.029.1117.0	4	stud bolt
6	0.054.1112.0	1	support
7	0.037.1114.0	1	support
8	0.052.1113.0	1	support
9	0.052.1116.0	1	support
10	0.021.1157.0	4	stud bolt
11	2.1019.026.7	8	special nut m 12 p.1.5
12	2.0432.003.7	24	stud bolt m 8 p.1.25 / p.1 x 20
13	2.1011.207.2	2	nut m 12 p.1.5
14	0.044.1156.0	6	special bushing
15	0.029.1154.0/10	4	gasket
16	0.054.1130.0/10	1	flange
17	2.1653.708.0	2	pin 8x18
18	2.0112.511.2	11	screw m 14 p.2 x 30
19	2.1651.911.0	2	cylindrical plug
20	2.0432.153.7	2	stud bolt m 10 p.1.5 / p.1.25 x 20
21	2.0432.255.7	2	stud bolt m 12 p.1.75-1.25x25
22	0.044.1120.0/40	3	engine cylinder
23	2.1589.052.0	3	shoulder ring 115x123x0.2
24	2.1589.051.0	3	shoulder ring 116x123x0.1
25	2.1569.076.0	3	gasket 116x123x0.5
26	0.041.1123.0/10	3	stud bolt
27	0.039.1122.0	12	stud bolt m 12 p.1.5x310
28	2.0432.003.7	4	stud bolt m 8 p.1.25 / p.1 x 20
29	2.1651.306.0	1	cylindrical plug
30	0.071.1151.3/10	3	valve
31	2.3130.001.1	2	plug 1/8" gas
32	2.0432.025.7	2	stud bolt m 8 p.1.25 - 1.00 x 100
33	2.1651.711.0	1	pin 8 x 14
34	2.1699.114.0	1	pin 8x55
35	2.3139.001.1	3	plug
36	2.3130.002.1	1	plug 1/4" gas
37	2.3170.022.1	1	expansion plug 60
38	2.3130.003.1	2	plug 3/8" gas
39	0.044.1151.0	1	gasket
40	0.044.1164.2/10	1	small cover

Section: ENGINE  
CRANKCASE

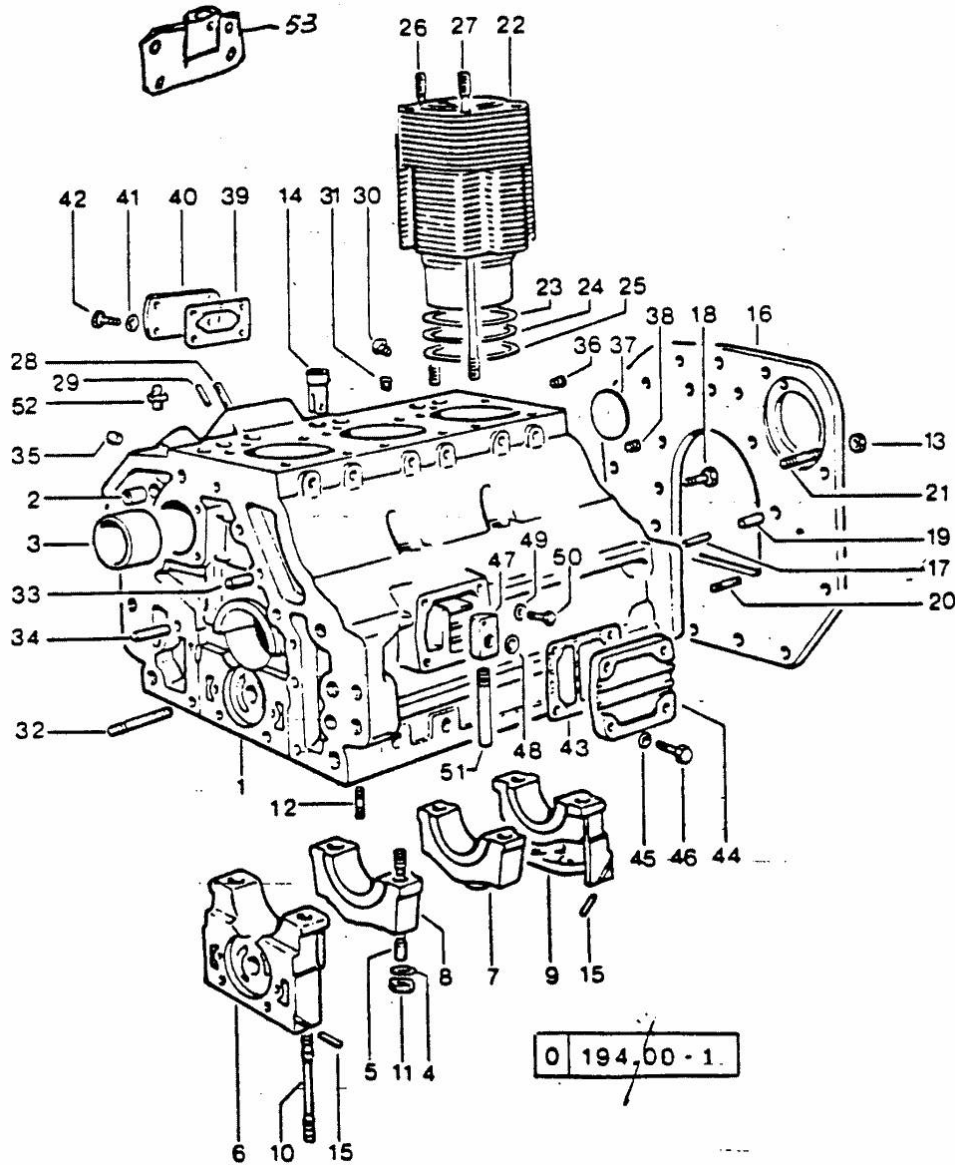


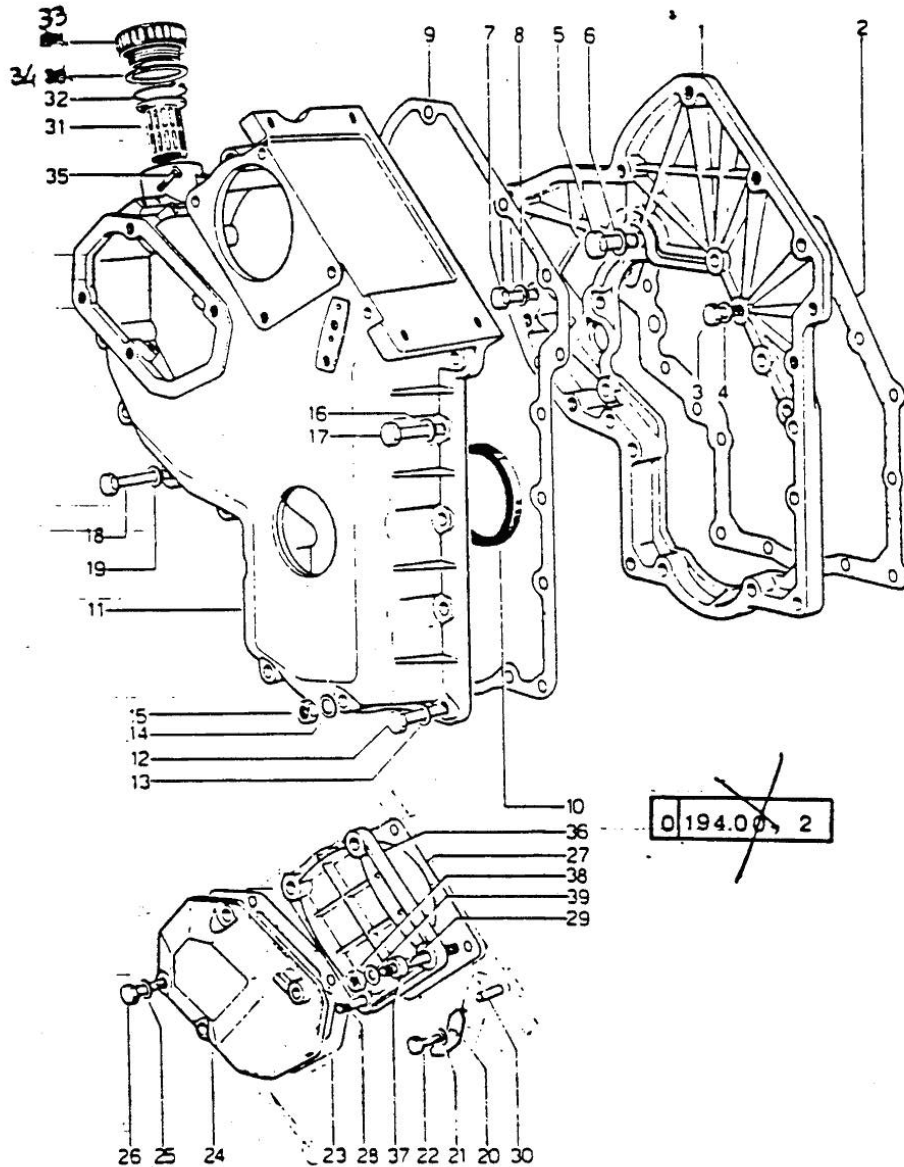
Fig.	P/n	QTY	Name
			=> 12778 TO ENGINE No.12777 ORDER ALSO: 2.1579.455.1 AND 2.0112.013.2
40	0.045.1154.2	1	old part number
41	2.1310.004.2	4	flat washer 8.4x17
42	2.0112.204.2	2	screw m 8 p.1.25x14
43	0.044.1153.0/10	1	gasket
44	0.044.1154.0	1	cover
45	2.1474.009.2	4	spring washer 8
46	2.0112.209.2	4	screw m 8 p 1.25 x 25
47	0.044.1155.2/20	1	cover
48	0.071.1156.0	1	special oil seal
49	2.1474.009.2	1	spring washer 8
50	2.0312.206.2	1	screw m 8 p 1.25 x 20
51	0.044.1152.0/10	1	tube
52	0.054.1152.0	1	pipe fitting
53	0.045.1153.0	1	flange

Section: ENGINE  
TIMING CASE

Fig.	P/n	QTY	Name
------	-----	-----	------

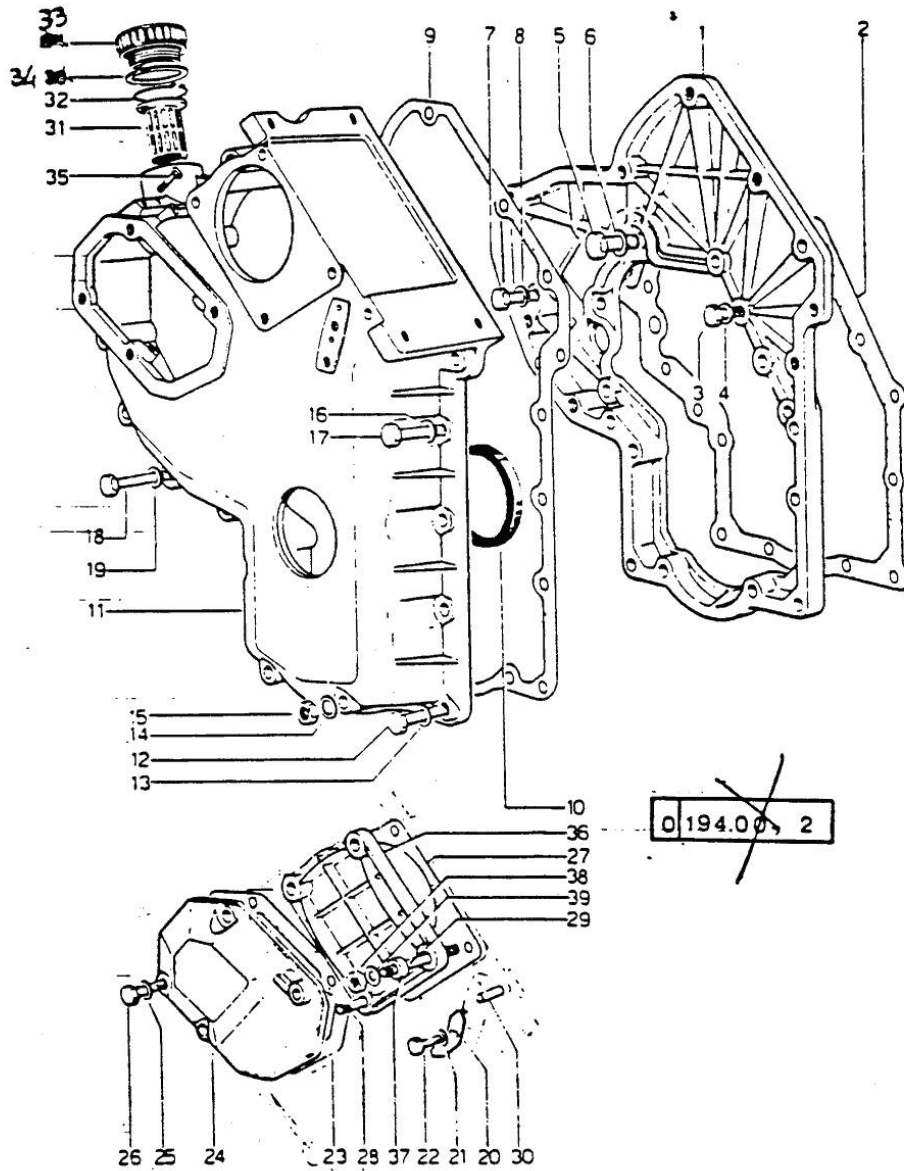
Notes:  
[TAURUS 60 EX]

1	0.048.1131.0	1	flange
2	0.041.1153.0/10	1	gasket
3	2.0112.209.2	5	screw m 8 p 1.25 x 25
4	2.1474.009.2	5	spring washer 8
5	2.0119.034.2	1	screw m 14 p.2x20
6	2.1560.010.0	1	gasket 14.2 x 20
7	2.0112.207.2	1	screw m 8 p 1.25 x 20
8	2.1474.009.2	1	spring washer 8
9	0.041.1152.0/10	1	gasket
10	2.1519.010.0	1	special oil seal 58x80x10
11	0.048.1132.0/10	1	guard 4643 <=
11	0.048.1132.0/40	1	guard => 4644
12	2.0112.217.2	5	screw m 8 p.1.25 x 45
13	2.1474.009.2	5	spring washer 8
14	2.1560.003.0	2	copper gasket 8.2 x 12
15	2.1011.405.2	2	nut m 8 p.1
16	2.1474.009.2	2	spring washer 8
17	2.0112.211.2	2	screw m 8 p.1.25 x 30
18	2.0112.222.2	4	screw m 8 p.1.25x65
19	2.1474.009.2	4	spring washer 8
20	0.041.1158.0	1	index
21	2.1310.004.2	1	flat washer 8.4x17
22	2.0112.204.2	1	screw m 8 p.1.25x14
23	0.048.1151.0/10	1	gasket
24	0.048.1150.0/20	1	cover
25	2.1560.006.0	4	gasket 10.2 x 16
26	2.0112.315.2	3	screw m 10 p.1.5 x 40
27	0.041.1154.0	1	gasket
28	2.0432.015.7	1	stud bolt m 8 p.1.25-1x50
29	2.0432.028.7	3	stud bolt m 8 p.1.25-1x130
30	2.1653.717.0	1	pin 8 x 40
31	0.041.1159.0/10	1	filter
32	2.1411.012.1	1	circlip 30
33	0.041.1135.4	1	plug 1" gas
34	2.1569.072.0	1	gasket 32 x 39.5 x 2
35	2.0112.004.2	2	screw m 6 p.1 x 14
36	0.037.1151.0/10	1	cover
37	2.1579.188.0	4	spacer 8.5x18x9
38	2.1011.405.2	4	nut m 8 p.1



Section: ENGINE  
TIMING CASE

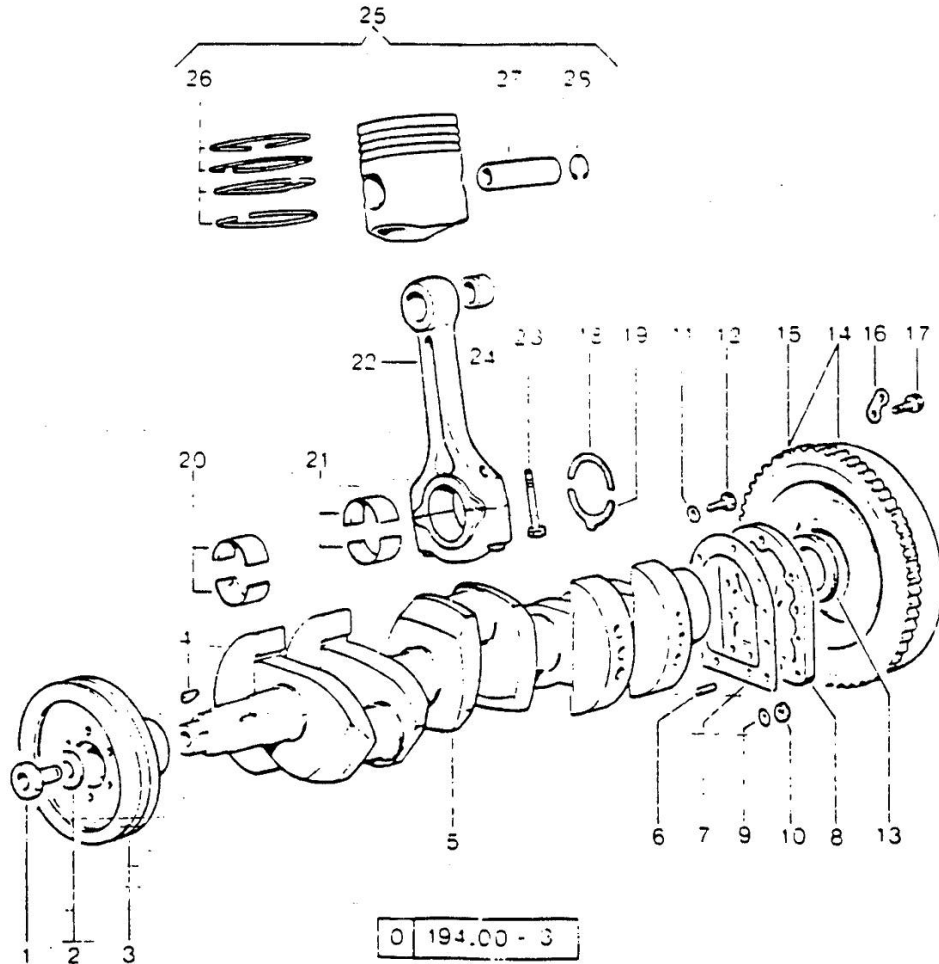
Fig.	P/n	QTY	Name
39	2.1310.004.2	4	flat washer 8.4x17



Section: ENGINE  
CRANKSHAFT

Fig.	P/n	QTY	Name
------	-----	-----	------

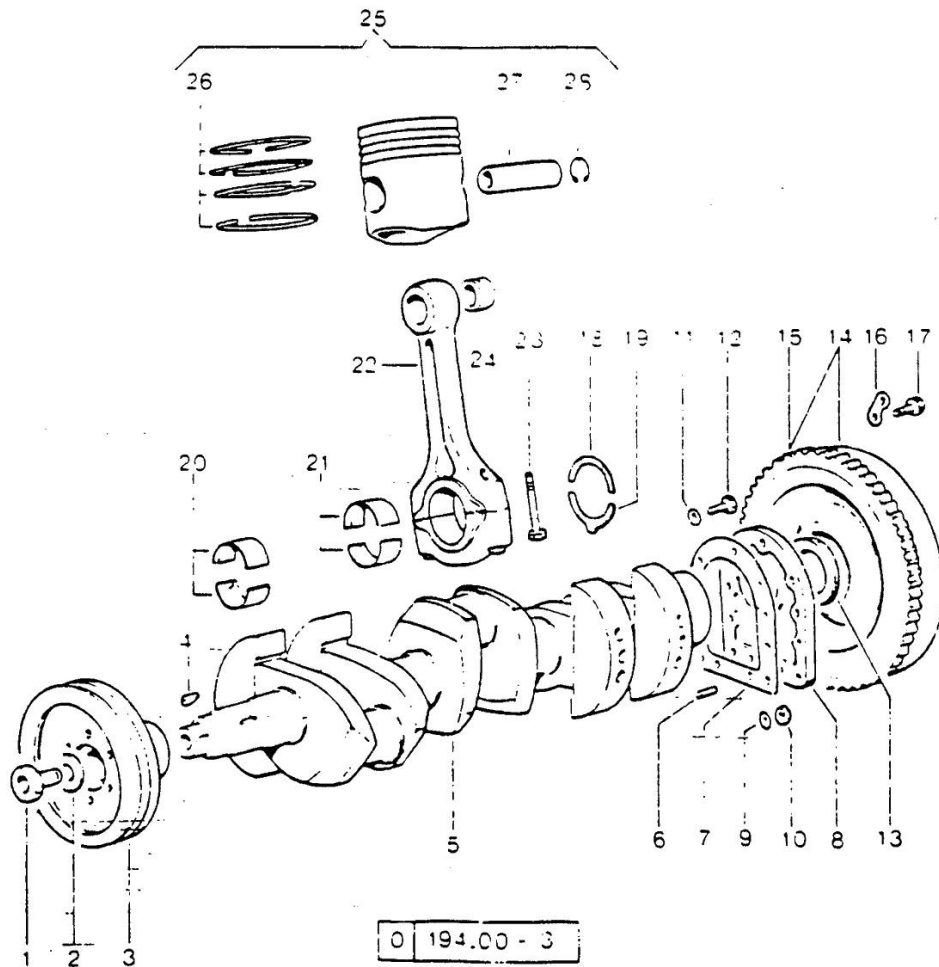
Notes:  
[TAURUS 60 EX]



1	2.0129.032.2	1	screw m 24 p.2x45
2	0.001.6020.0	1	shoulder
3	0.062.1250.0	1	pulley
4	2.1799.002.0	1	stick 10x13
5	0.054.1210.4	1	crankshaft
6	2.1651.915.0	2	pin 12x35
7	0.029.1250.0/10	1	gasket
8	0.029.1240.0	1	flange
9	2.1560.006.0	2	gasket 10.2 x 16
10	2.1011.421.2	2	nut m 10 p.1.25
11	2.1474.010.2	7	washer 10
12	2.0112.309.2	7	screw m 10 p.1.5 x 25
13	2.1519.009.0/10	1	special oil seal
14	0.054.1241.3/20	1	flywheel
15	0.038.1242.0	1	crown wheel Z = 120, mm 15
16	2.1379.006.0	3	lock-tab 15x15x36,5
17	2.0122.515.7	6	screw
18	0.001.4544.0	2	shoulder ring + mm 0.05
18	0.001.4545.0	2	shoulder ring + mm 0.10
18	0.001.4546.0	2	shoulder ring + mm 0.15
18	0.042.1218.0	2	shoulder ring STANDARD
19	0.001.4547.0	2	shoulder ring + mm 0.05
19	0.001.4548.0	2	shoulder ring + mm 0.10
19	0.001.4549.0	2	shoulder ring + mm 0.15
19	0.042.1219.0	2	shoulder ring STANDARD
20	0.073.0059.0	8	main half bushing - mm 1.00
20	0.073.1215.0	8	main half bushing STANDARD
20	0.073.1215.7	8	main half bushing - mm 0.25
20	0.073.1215.8	8	main half bushing - mm 0.50
20	0.073.1215.9	8	main half bushing - mm 0.75
21	0.062.0059.0	6	con.rod half bushing - mm 1.00
21	0.062.1225.0	6	con.rod half bushing STANDARD
21	0.062.1225.7	6	con.rod half bushing - mm 0.25
21	0.062.1225.8	6	con.rod half bushing - mm 0.50
21	0.062.1225.9	6	con.rod half bushing - mm 0.75
22	0.039.1220.3/30	3	engine connecting rod
23	0.039.1250.0	6	screw m 14 p.1.5x63
24	2.1559.114.0/10	3	special bushing
25	0.054.0060.6/10	3	complete piston STANDARD -> 2359
25	0.054.0061.6/10	3	complete piston + mm 0.50

Section: ENGINE  
**CRANKSHAFT**

Fig.	P/n	QTY	Name
			-> 2359
25	0.054.0062.6/10	3	complete piston + mm 1.0 => 2359
25	0.073.0060.6	3	complete piston STANDARD 2358 <=
25	0.073.0061.6	3	complete piston + mm 0.50 2358 <=
25	0.073.0062.6	3	complete piston + mm 1.0 2358 <=
26	0.042.0052.6	3	piston ring set STANDARD
26	0.042.0053.6	3	piston ring set + mm 0.50
26	0.042.0054.6	3	piston ring set + mm 1.0
27	0.002.4167.0	3	piston pin => 2359
27	0.038.1236.0/10	3	piston pin Ø 18 / Ø 35 / L = mm 90 2358 <=
28	2.1411.014.1	6	circlip 35



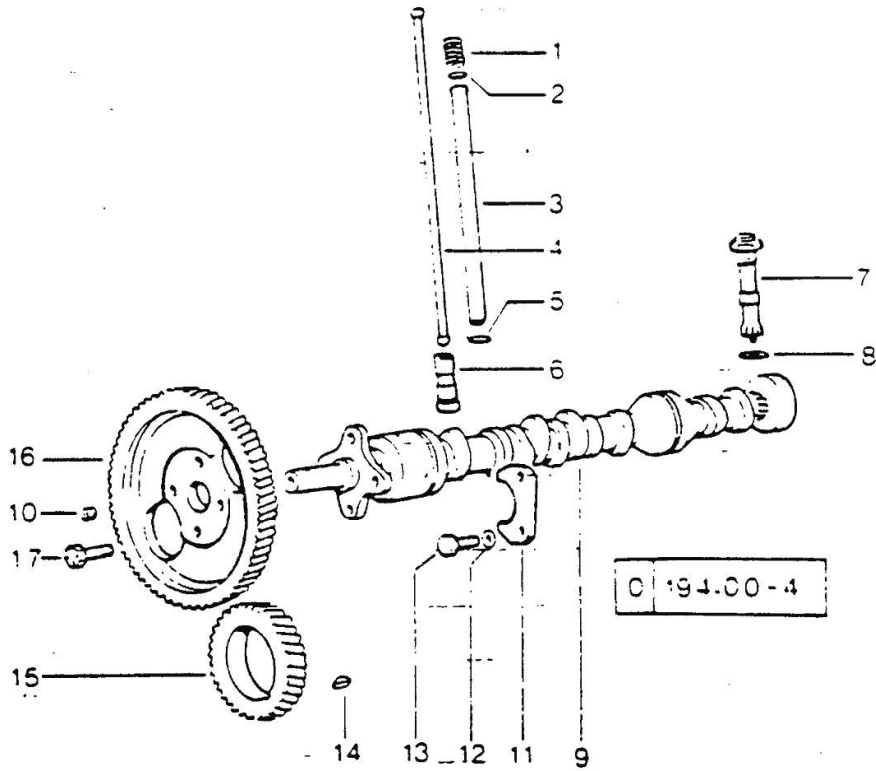
Section: ENGINE

CAMSHAFT ->4523

Fig.	P/n	QTY	Name
------	-----	-----	------

Notes:  
[TAURUS 60 EX]

1	2.4019.162.1/20	6	spring 17.2x46x1.8
2	2.1539.022.0	6	special oil seal 12.37x2.62
3	0.041.1332.0	6	sleeve
4	0.041.1331.3	6	rod
5	2.1539.020.0	6	special oil seal 13.95x2.62
6	0.052.1330.0/20	6	tappets
7	0.041.1355.3	1	transmission
8	2.1560.014.0	1	washer 18.2 x 24
9	0.054.1310.0/20	1	camshaft
10	2.3130.001.1	1	plug 1/8" gas
11	0.027.1314.0/20	1	flange
12	2.1470.004.2	2	lock washer 8
13	2.0112.207.2	2	screw m 8 p 1.25 x 20
14	2.1720.010.0	1	key 5x9
15	0.040.1320.0	1	gear z = 33
16	0.062.1321.0	1	gear z=66
17	2.0139.005.1	4	screw m 10 p.1 x 25



Section: ENGINE  
CYLINDER HEAD

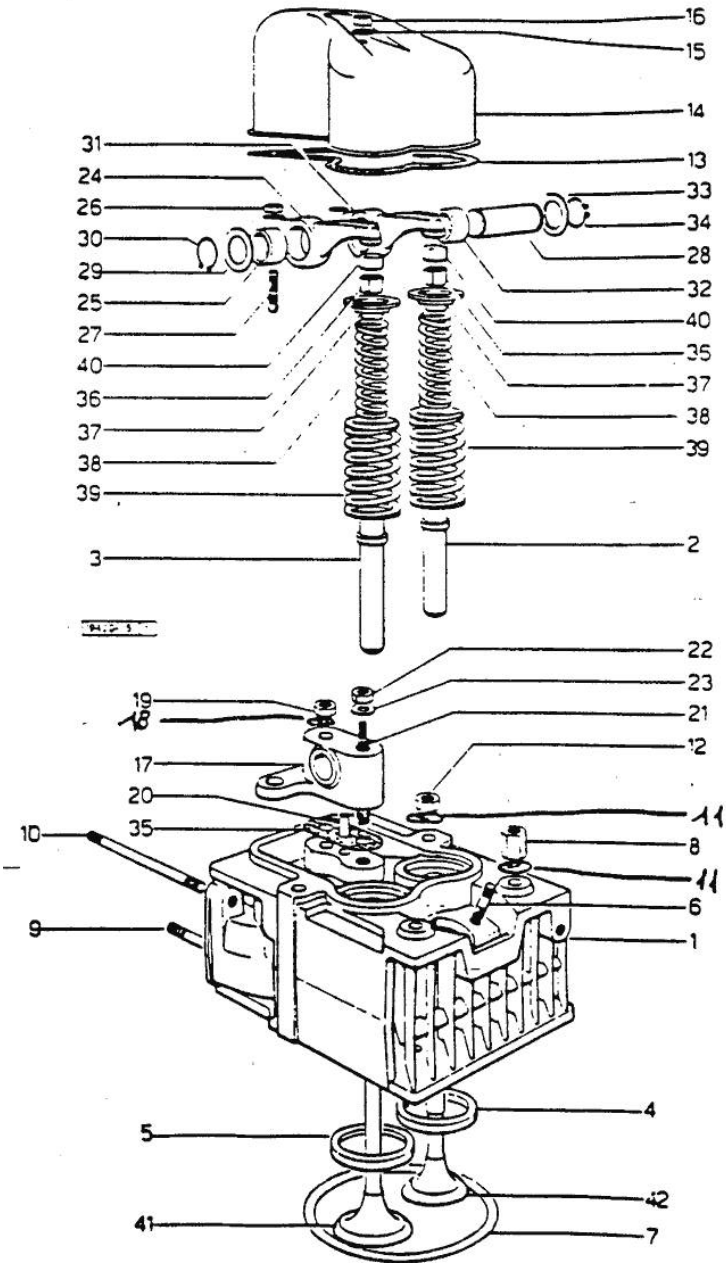


Fig.	P/n	QTY	Name
<b>Notes:</b> [TAURUS 60 EX]			
0	0.073.0057.6	1	gasket set
1	0.044.1450.3/50	3	engine head
2	0.045.1417.0	3	valve guide
3	0.037.1416.0	3	valve guide
4	0.037.1452.0/10	3	valve seat
5	0.037.1451.0/10	3	valve seat
6	2.0439.087.1/20	6	stud bolt m 8 p.1.25 / p.1 x 40
7	2.1569.078.0/10	3	gasket 106x118x0.5
8	2.1019.037.0	5	special nut m 12 p.1.5
9	2.0432.007.2	6	stud bolt m 8 p.1.25 / p.1 x 30
10	2.0432.027.7	3	stud bolt m 8 p.1.25 - 1.00 x 120
11	2.1599.144.7	12	shoulder ring 12.5x23x4
12	2.1019.025.0	7	special nut m 12 p.1.5
13	0.029.1450.0/20	3	tappet gasket
14	0.039.1440.0	3	cap
15	2.1560.004.0	3	copper gasket 8.2 x 14
16	2.1099.056.2	3	special nut m 8 p.1 x 8
17	0.041.1430.0	3	support
18	2.1599.160.0	3	washer 10.5x19x4
19	2.1099.035.0	3	special nut m 10 p.1.25
20	0.029.1452.0	3	tube
21	0.039.1451.0	3	stud bolt
22	2.1011.421.2	3	nut m 10 p.1.25
23	2.1310.006.2	3	flat washer 10.5x21
24	0.002.5937.3/30	3	rocker arm
25	2.1559.021.0/40	3	bushing 15x19x22
26	2.1011.405.2	6	nut m 8 p.1
27	0.021.1434.0	6	screw
28	0.041.1431.0	3	pin
29	2.1599.019.0	3	shoulder ring 19.5x31x2
30	2.1410.055.7	3	circlip 19
31	0.002.5936.3/40	3	rocker arm
32	2.1559.021.0/40	3	bushing 15x19x22
33	2.1599.019.0	3	shoulder ring 19.5x31x2
34	2.1410.055.7	3	circlip 19
35	0.034.1450.0	3	tappet gasket
36	0.074.1423.0	6	conical valve cotter
37	0.002.9215.0/20	6	cup
38	2.4019.194.0	6	spring 22.70x50.7x2.1
39	2.4019.193.0	6	spring 36.15x55.2x3.2
40	0.021.1453.0/20	6	small cover



Section: ENGINE

**CYLINDER HEAD**

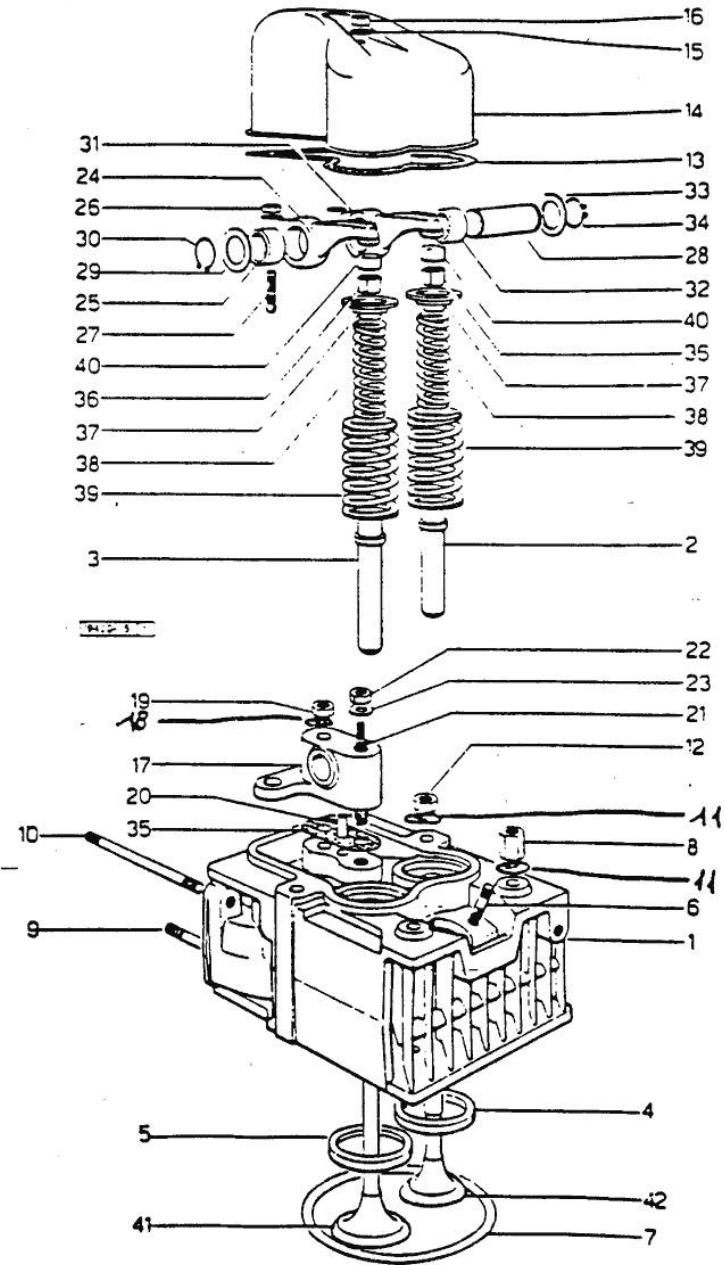


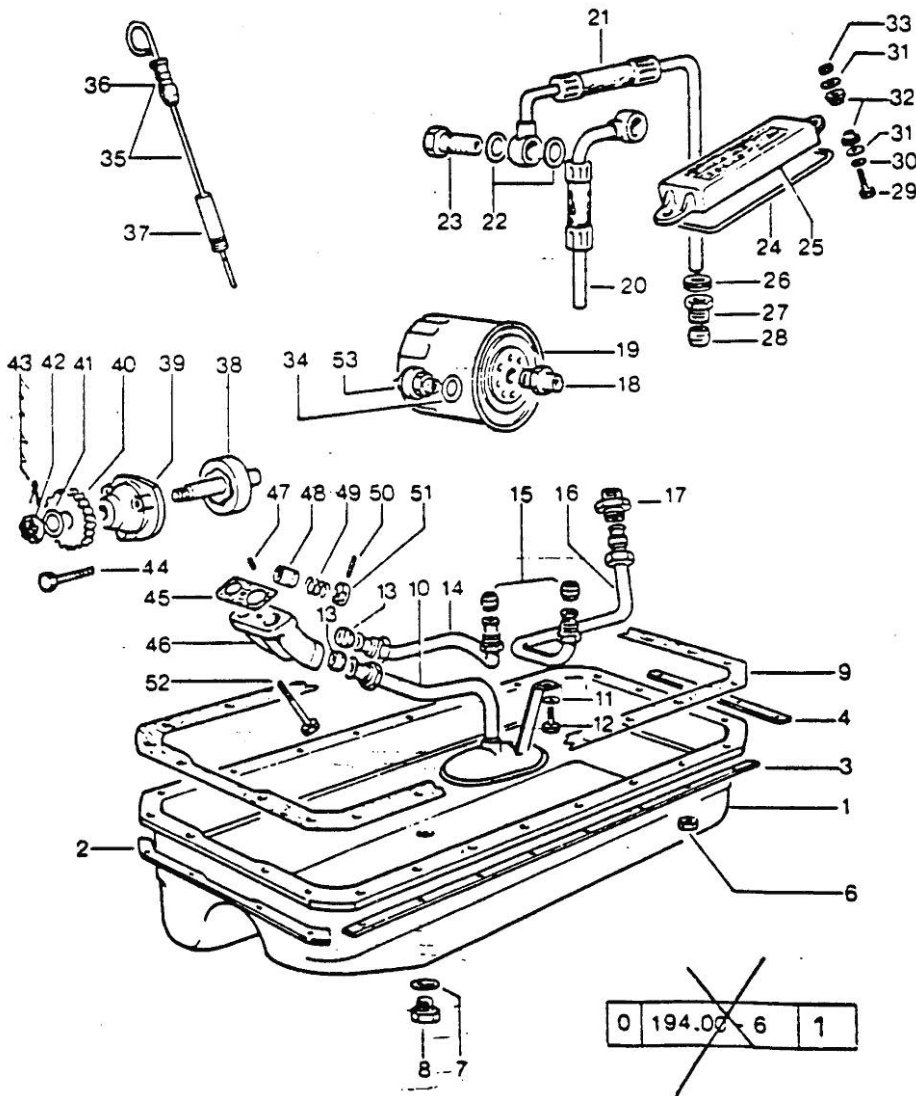
Fig.	P/n	QTY	Name
41	0.052.1420.0	3	inlet valve Ø mm 9
42	0.039.1421.0	3	exhaust valve Ø mm 9

Section: ENGINE  
LUBRICATION

Fig.	P/n	QTY	Name
------	-----	-----	------

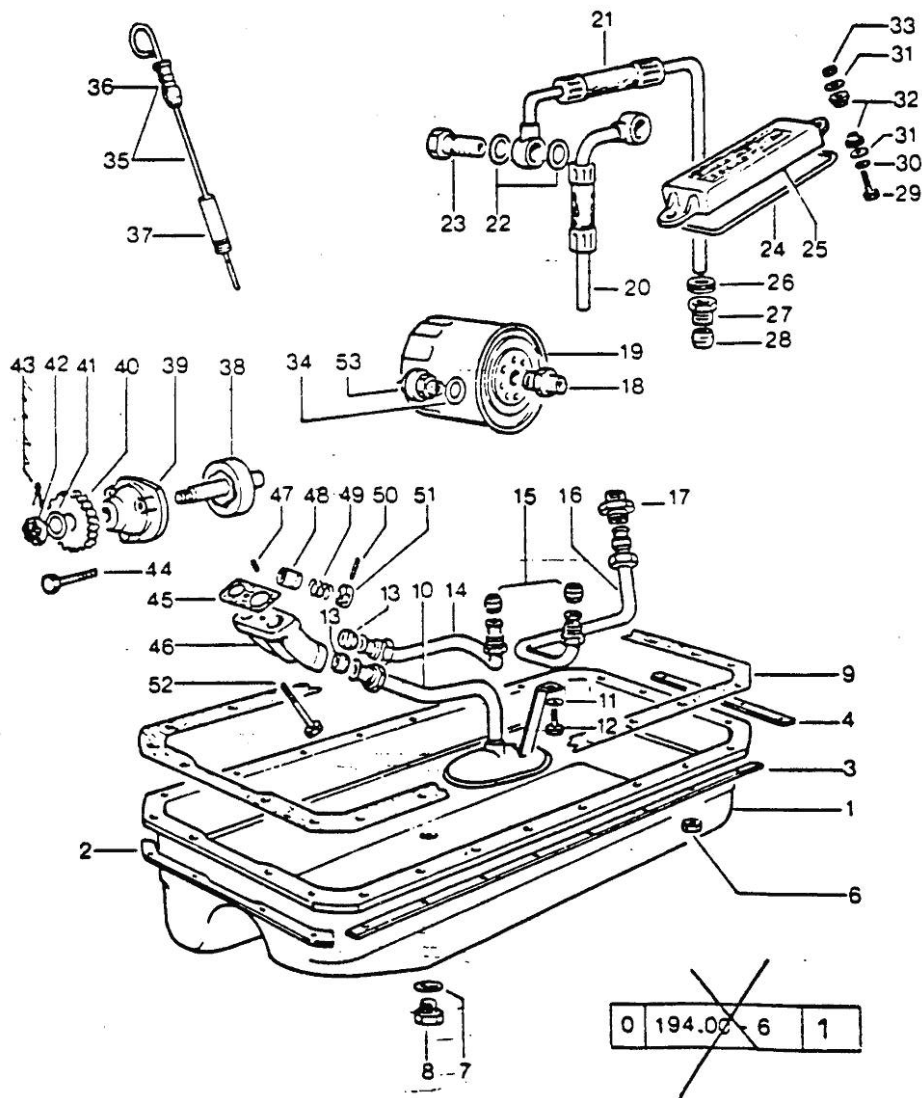
Notes:  
[TAURUS 60 EX]

1	0.054.1510.2/10	1	oil sump
2	0.053.1550.0/10	1	small plate
3	0.035.1551.0/10	2	small plate
4	0.053.1551.0	1	small plate
6	2.1011.405.2	24	nut m 8 p.1
7	2.1560.054.0	1	gasket 21 x 26
8	2.3199.001.2	1	plug 1/2" gas
9	0.029.1512.2	1	gasket
10	0.054.1531.3/10	1	tube
11	2.1310.004.2	1	flat washer 8.4x17
12	2.0112.204.2	1	screw m 8 p.1.25x14
13	2.3359.016.1	2	nosepiece
14	0.054.1542.2/10	1	tube
15	2.3359.015.1	2	nosepiece
16	0.044.1543.2/30	1	tube
17	2.3339.159.1/10	1	pipe fitting
18	2.3339.094.1/10	1	pipe fitting m 20 p.1.5-3/4 gas
19	0.044.1567.0	1	oil filter element
20	0.054.1551.3	1	tube
21	0.054.1552.2/10	1	old part number
22	2.1560.018.0	4	gasket 22.2 x 29
23	2.3339.107.1	2	pipe union m 22
24	0.054.1541.0	1	gasket
25	0.054.1540.2/10	1	oil cooler
26	2.6560.013.0	2	wire guide 18x1.5
27	2.3339.167.2	2	pipe fitting
28	2.3359.012.0	2	nosepiece 10x16.8
29	2.0112.213.2	2	screw m 8 p.1.25 x 35
30	2.1310.004.2	2	flat washer 8.4x17
31	2.1599.006.2	4	shoulder ring 8.4x25x2
32	0.021.1560.0	4	rubber plug
33	2.1011.105.2	2	nut m 8 p.1.25
34	2.1560.008.0	1	gasket 12.2 x 18
35	0.054.1513.3	1	dipstick
36	0.034.1551.0	1	gasket
37	0.044.1555.0	1	spacer
38	0.054.1524.3/10	1	rotor
39	0.054.1520.0	1	pump casing
40	0.054.1521.0	1	gear
41	2.1310.006.2	1	flat washer 10.5x21
42	2.1121.107.2	1	self-locking nut m 10 p 1.25



Section: ENGINE  
LUBRICATION

Fig.	P/n	QTY	Name
44	2.0112.215.2	3	screw m 8 p.1.25 x 40
45	0.054.1550.0	1	gasket
46	0.054.1530.0/20	1	tip
47	2.1651.305.0	1	pin 4 x 12
48	0.052.1571.0	1	small piston
49	2.4019.270.1	1	spring 9.7x54x2
50	2.1630.213.0	1	roll pin 3x32
51	0.054.1558.0/20	1	stop
52	2.0132.213.2	1	screw
53	2.7099.460.0	1	pressure switch



Thank you so much for reading.  
Please click the “Buy Now!”  
button below to download the  
complete manual.



After you pay.

You can download the most  
perfect and complete manual in  
the world immediately.

Our support email:

[ebooklibonline@outlook.com](mailto:ebooklibonline@outlook.com)