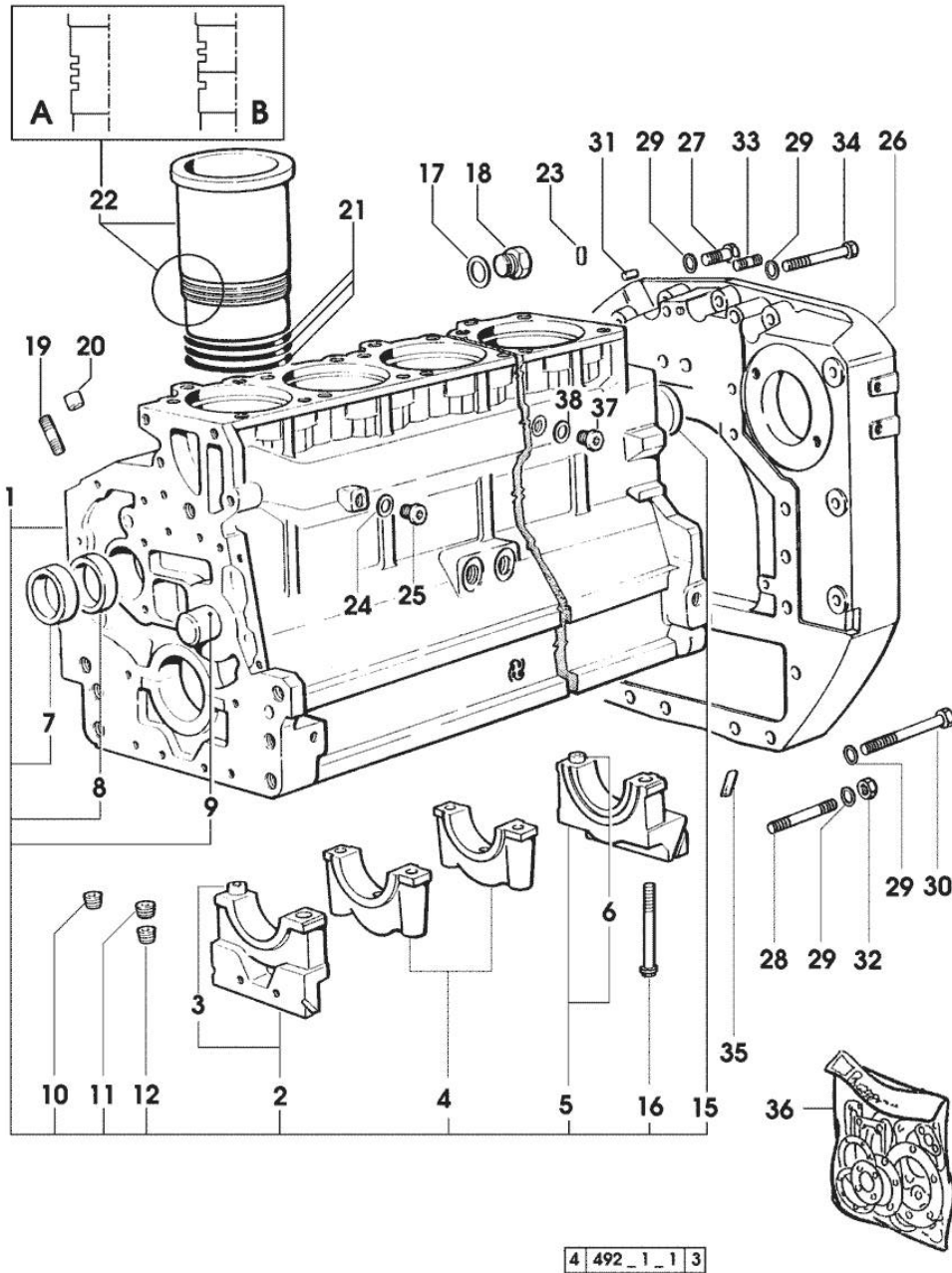


Section: ENGINE

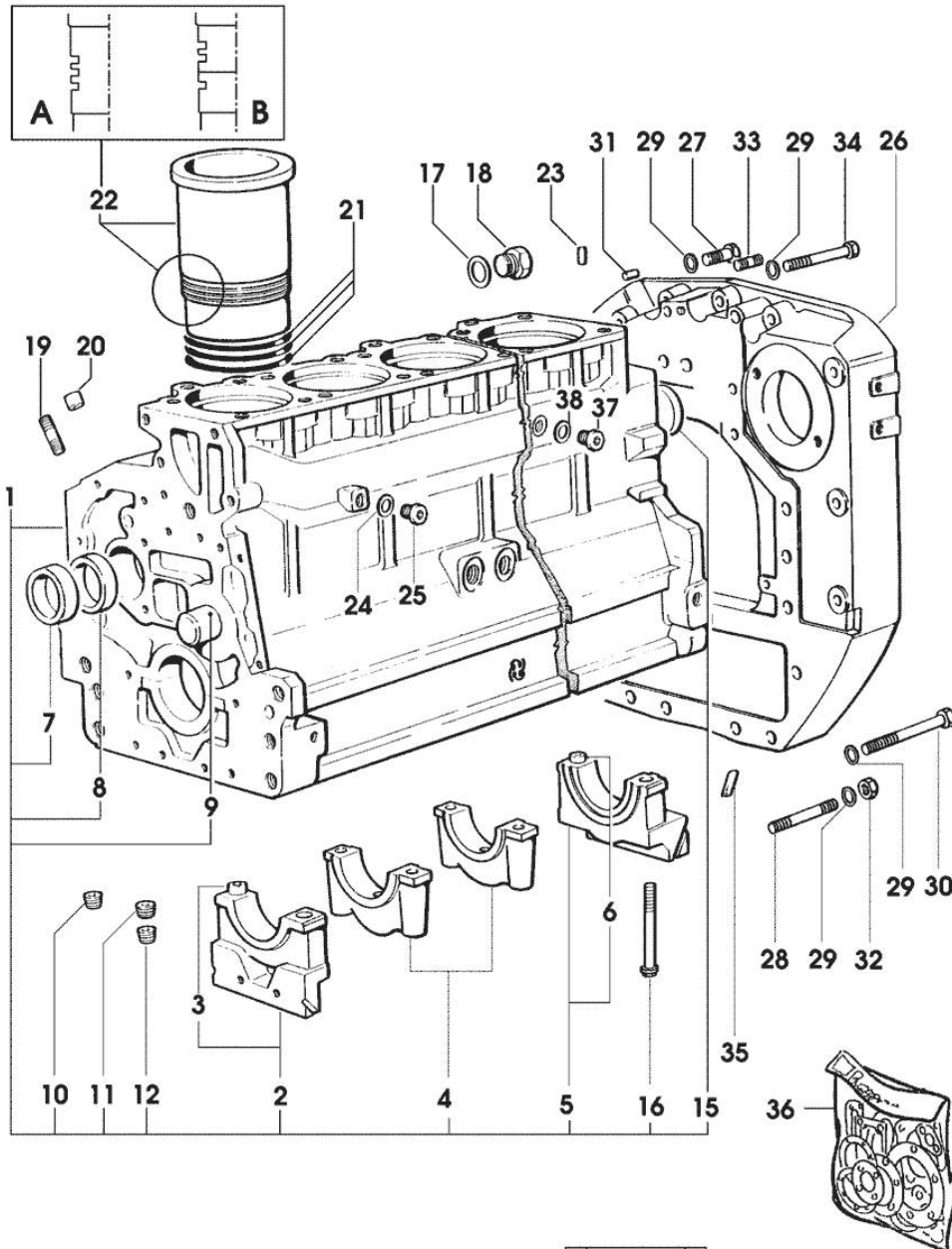
CRANKCASE



4 492_1_1 3

Fig.	P/n	QTY	Name
Notes:			
-> 2001 X TITAN 160 [TITAN 190]			
1	0.007.1102.6/20	1	crankcase * 2234 <= X TITAN 160 * 2502 <= X TITAN 190 - N.6 011.0183.0/10 - N.12 2.1539.193.0
2	0.065.1112.7	1	support
3	2.1699.165.0	1	bush 12.3x15x16
4	0.065.1114.0/10	5	support
5	0.007.0848.3/10	1	support
6	2.1699.165.0	1	bush 12.3x15x16
7	0.065.1141.0	1	special bushing 59X55X30
8	0.065.1140.0	6	special bushing 59X55X20
9	0.066.1151.0	1	pin
10	2.3130.001.1	14	plug 1/8" gas
11	2.3130.002.1	2	plug 1/4" gas
12	2.3130.003.1	8	plug 3/8" gas
15	2.3179.012.0	1	plug 60
16	0.065.1117.0	14	screw m 12 x 100
17	2.1539.047.0	1	special oil seal 26.7x1.78
18	2.3199.405.2	1	plug m 28 p.1.5
19	2.0432.003.7	18	stud bolt m 8 p.1.25 / p.1 x 20
20	2.1559.188.2	6	bush 11.4 x 14 x16
21	2.1519.096.0/20	18	special oil seal 107.67x1.78 2234 <= X TITAN 160 2502 <= X TITAN 190
21	2.1539.193.0	12	special oil seal 107.62x2.62 => 2235 X TITAN 160 => 2503 X TITAN 190
22	0.009.7500.0/10	6	engine cylinder = A 1592 <= X TITAN 190
22	0.011.0183.0/20	6	engine cylinder => 2235 X TITAN 160 => 2503 X TITAN 190
22	0.011.0582.0	6	engine cylinder = B 2234 <= X TITAN 160 => 1593 - 2502 <= X TITAN 190
23	2.1549.154.2	6	bush 4.8x5.8x16
24	2.1560.010.0	1	gasket 14.2 x 20
25	2.3199.292.0	1	plug 1/4" gas
26	0.007.0809.0/20	1	flange

Section: ENGINE
CRANKCASE



4 492_1_1 3

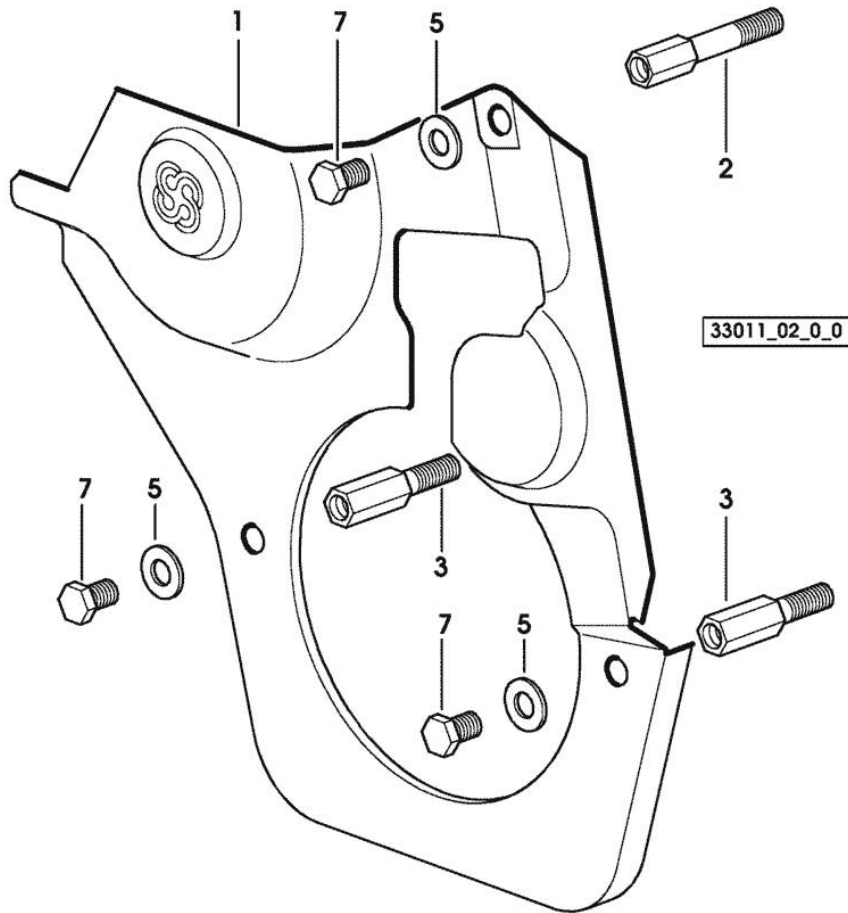
Fig.	P/n	QTY	Name
			* 2053 <- X TITAN 160
			* 1572 <- X TITAN 190
			- N.4 - 2.1699.448.0
27	2.0112.513.2	11	screw m 14 p.2 x 35
28	2.0432.328.7	4	stud bolt m 14 p.2-1.5x130
29	2.1470.008.2	19	lock washer 14
30	2.0112.534.2	2	screw m 14 p.2x125
31	2.1653.911.0	2	cylindrical plug 12x25
32	2.1011.108.2	4	nut m 14 p.2
33	2.0432.255.7	2	stud bolt m 12 p.1.75-1.25x25
34	2.0312.520.1	2	screw m 14 p.2x70
35	0.066.1152.0/10	4	gasket
36	0.337.0050.6	1	gasket set
37	2.3120.101.0	1	plug m 18 p.1.5
			=> 2235 X TITAN 160
			=> 2503 X TITAN 190
38	2.1560.014.0	1	washer 18.2 x 24

TIMING CASE

Fig.	P/n	QTY	Name
------	-----	-----	------

Notes:
[TITAN 190]

1	0.007.1262.3/50	1	guard
2	0.007.1271.0/10	1	small column m 8 p.1.25 / L = mm 60
3	0.007.1272.0/10	2	small column m 8 p.1.25 / L = mm 50
5	2.1310.004.2	3	flat washer 8.4x17
7	2.0112.205.2	3	screw m 8 p.1.25 x 16

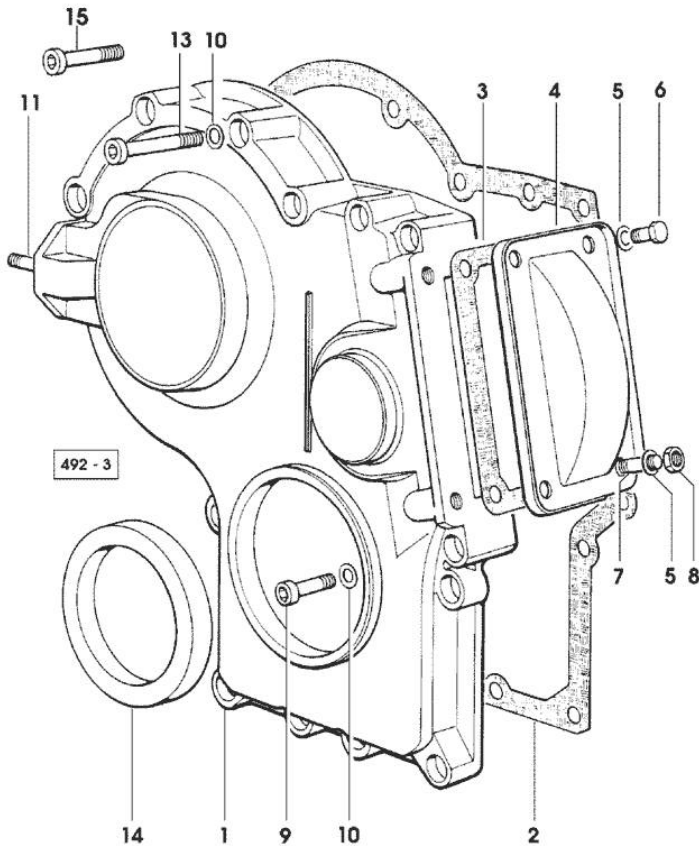


Section: ENGINE
TIMING CASE

Fig.	P/n	QTY	Name
------	-----	-----	------

Notes:
[TITAN 190]

1	0.065.1132.0/60	1	guard
2	0.065.1150.0/30	1	gasket
3	0.065.1152.0	1	gasket
4	0.065.1151.0	1	cover
5	2.1470.004.2	4	lock washer 8
6	2.0112.205.2	2	screw m 8 p.1.25 x 16
7	2.0432.003.7	2	stud bolt m 8 p.1.25 / p.1 x 20
8	2.1011.405.2	2	nut m 8 p.1
9	2.0312.214.1	3	screw m 8 p.1.25 x 40
10	2.1480.014.1	15	washer 8
11	2.0432.003.7	2	stud bolt m 8 p.1.25 / p.1 x 20
13	2.0312.219.2	4	screw m 8 p.1.25x65
14	2.1529.141.0	1	special oil seal
15	2.0312.208.2	8	screw m 8 p.1.25 x 25



Section: ENGINE

CRANKSHAFT

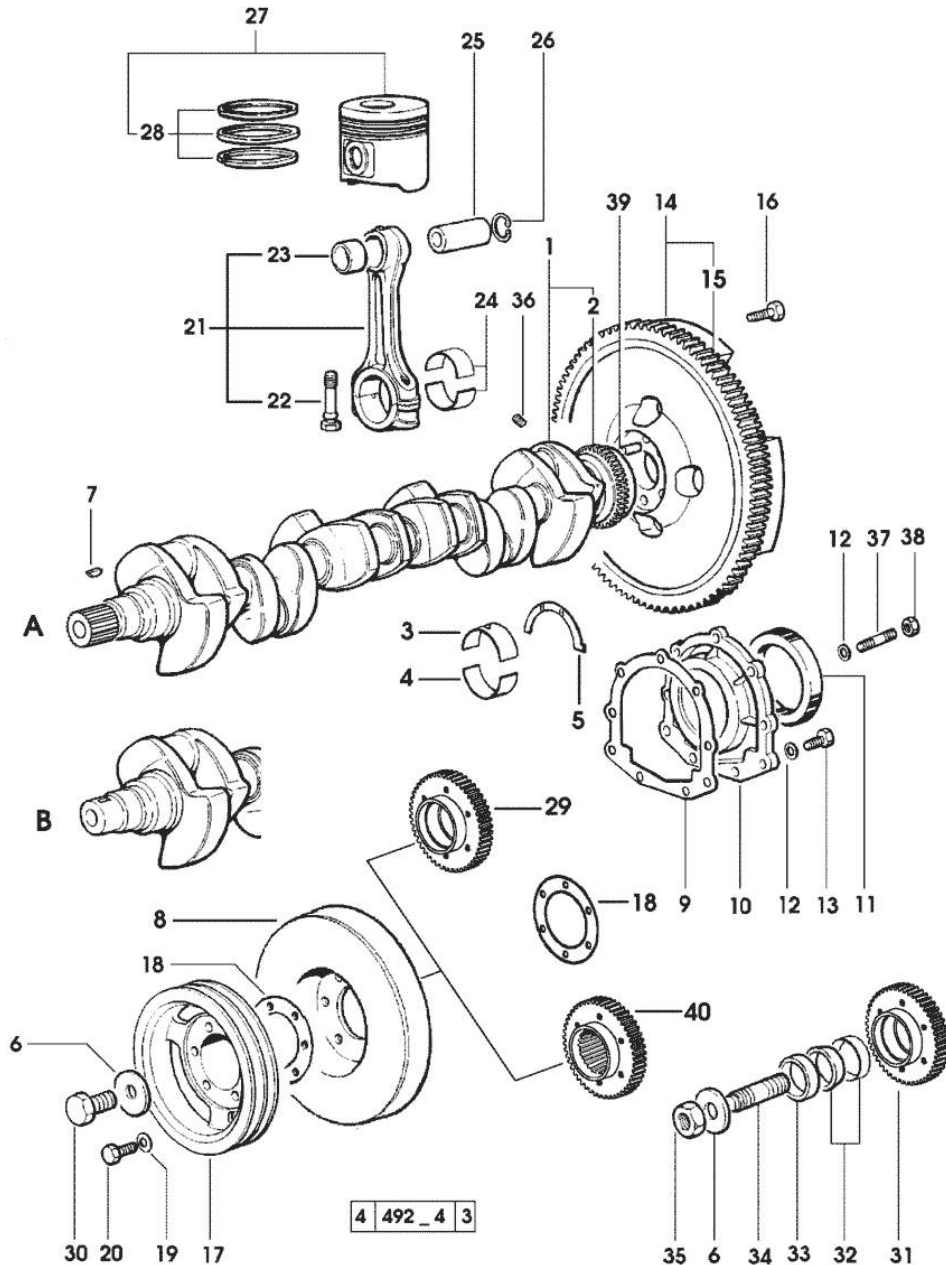


Fig.	P/n	QTY	Name
Notes: [TITAN 190]			
1	0.010.4320.3/20	1	crankshaft (...) <= " B " * N.1 011.2206.0/10
2	0.007.0855.0	1	gear
3	0.065.1215.0	7	main half bushing STANDARD
3	0.065.1215.7		main half bushing - mm 0.25
3	0.065.1215.8		main half bushing - mm 0.50
4	0.065.1216.0	7	main half bushing
4	0.065.1216.7		main half bushing - mm 0.25
4	0.065.1216.8		main half bushing - mm 0.50
5	0.065.1218.0	4	shim STANDARD
5	0.065.1218.7		shim + mm 0.10
5	0.065.1218.8		shim + mm 0.15
6	2.1599.524.7	1	washer 21x60x12
7	2.1720.006.0	1	key 4x6.5
8	0.007.1010.3	1	antivibration pulley
9	0.065.1254.0/20	1	gasket
10	0.007.0851.0/10	1	cover
11	2.1529.073.0	1	special oil seal 110x130x13
12	2.1474.009.2	9	spring washer 8
13	2.0112.207.2	7	screw m 8 p 1.25 x 20
14	0.007.0655.3/20	1	flywheel
15	0.065.1242.0	1	crown wheel Z = 123
16	2.0119.174.0/10	6	screw m 12 p.1.25x45
17	0.007.0962.0/20	1	pulley -> 2001 X TITAN 160 - X TITAN 190
17	0.008.2212.0/60	1	pulley 1239 <= X TITAN 160
17	0.008.2212.0/70	1	pulley => 1240 - 2000 <- X TITAN 160
18	2.1589.136.0		shoulder ring 71x110x0.5
18	2.1589.137.0		shoulder ring 71x110x1
19	2.1470.006.2	6	lock washer 10
20	2.0112.322.2	6	screw m 10 p.1.5x65
21	0.007.1395.3/20	6	engine connecting rod
22	2.0399.213.0	12	screw m 12 p.1.25x61.5
23	2.1559.255.0	6	special bushing 34.60x39.130x34.65
24	0.065.1225.0	12	con.rod half bushing STANDARD - A = 28.75 -> 29.00
24	0.065.1225.7		con.rod half bushing - mm 0.25
24	0.065.1225.8		con.rod half bushing - mm 0.50

Section: ENGINE

CRANKSHAFT

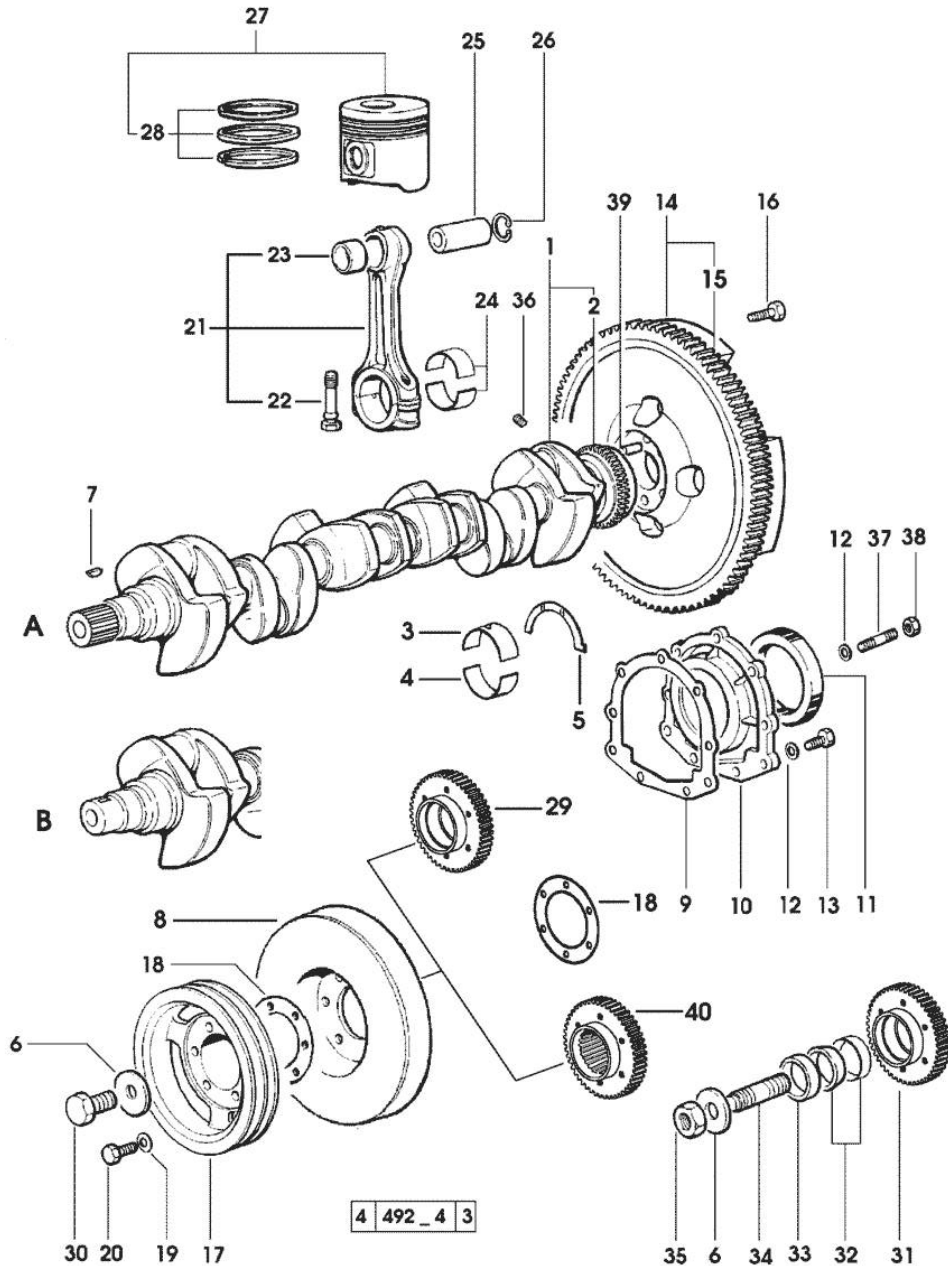


Fig.	P/n	QTY	Name
25	0.038.1236.0/10	6	piston pin Ø 18 / Ø 35 / L = mm 90
26	2.1411.014.1	12	circlip 35
27	0.340.0060.6/10	6	complete piston
27	0.383.0060.6	6	complete piston - X TITAN 160 190 - EXPORT U.S.A.
28	0.338.0052.6/10	6	piston ring set
29	0.011.2140.0/10	1	hub - X B (...) <=
30	2.0399.144.7/10	1	screw m 20 p.1.5x51
31	0.011.2141.0/10	1	hub - FOR MODELS EQUIPPED WITH FRONT P.T.O. - X B (...) <=
32	0.035.1263.0	2	ring - X B (...) <=
33	2.1579.949.0	1	ring 50.2x56.8x8 - X B (...) <=
34	2.0439.195.7	1	stud bolt m 20 p.1.5x80 - X B (...) <=
35	2.1019.094.7	1	nut m 20 p.1.5 - X B (...) <=
36	2.3130.001.1	6	plug 1/8" gas
37	2.0432.003.7	2	stud bolt m 8 p.1.25 / p.1 x 20
38	2.1011.105.2	2	nut m 8 p.1.25
39	2.1652.915.0	1	cylindrical plug 12x35
40	0.011.2206.0/10	1	hub - X A => (...)

Section: ENGINE

CAMSHAFT

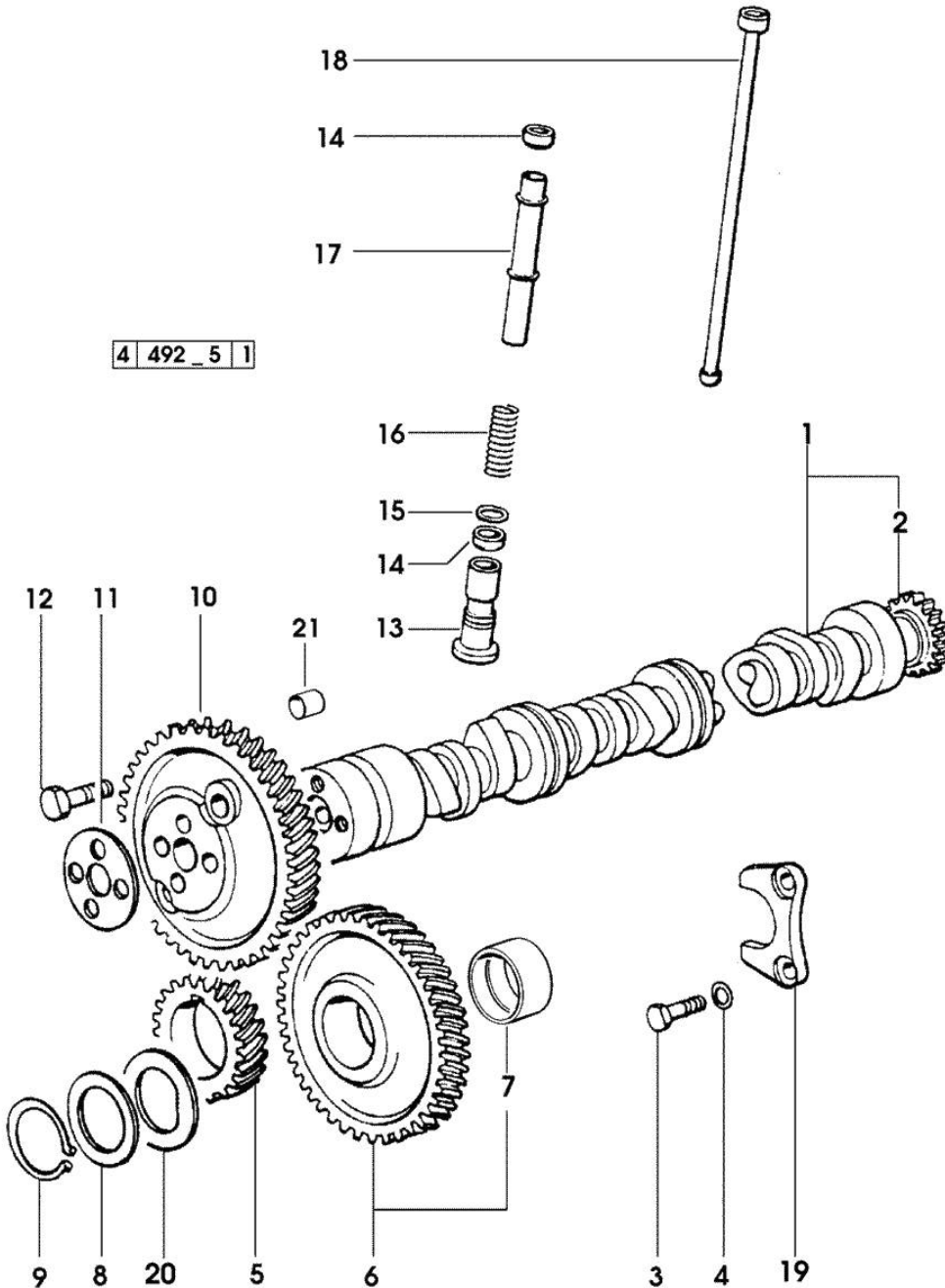


Fig.	P/n	QTY	Name
------	-----	-----	------

Notes:
[TITAN 190]

1	0.010.4968.3/10	1	camshaft - X 190HP - EXPORT U.S.A.
1	0.075.1310.3/30	1	camshaft
2	0.065.1324.0/10	1	gear Z = 32
3	2.0312.206.2	2	screw m 8 p 1.25 x 20
4	2.1480.014.1	2	washer 8
5	0.007.1188.0/20	1	gear Z = 29
6	0.007.1177.3/10	1	gear z = 57 - WITH RED IDENTIFICATION STAMP
6	0.007.1178.3/10	1	gear z = 57 - WITH YELLOW IDENTIFICATION STAMP
6	0.007.1179.3/10	1	gear z = 57 - WITH GREEN IDENTIFICATION STAMP
7	2.1559.185.0/10	2	bushing
8	0.065.1352.0	1	shim
9	2.1410.016.1	1	circlip 40
10	0.065.1354.0/20	1	gear z=58
11	0.065.1350.0	1	small disc
12	2.0132.207.2	4	screw m 10 p.1 x 25
13	0.065.1330.0	12	tappets
14	2.1569.114.0/10	24	gasket 14x18.5x8
15	2.1599.437.0	12	shoulder ring
16	2.4019.300.1/10	12	spring 18.5x52x2
17	0.065.1332.0	12	sleeve
18	0.065.1331.2	12	rod
19	0.065.1353.0	1	small plate
20	0.065.1351.0	2	shoulder ring
21	2.1559.398.0	1	bushing 10.5x13x12

Section: ENGINE
CYLINDER HEAD

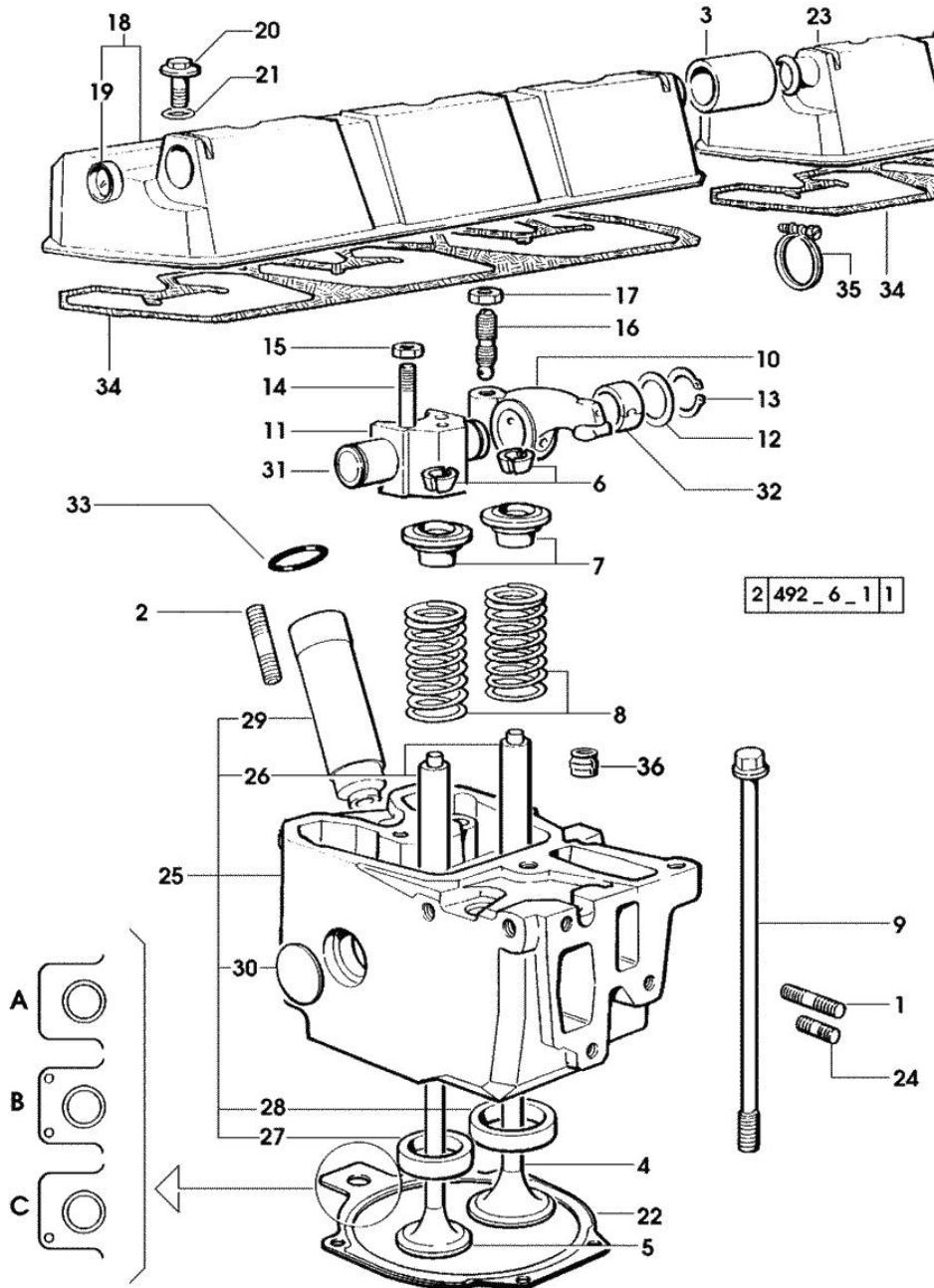


Fig.	P/n	QTY	Name
------	-----	-----	------

Notes:
-> 2001 X TITAN 160 [TITAN 190]

1	2.0432.011.7	6	stud bolt m 8 p.1.25 / p.1 x 40
2	2.0432.161.7	6	stud bolt m 10 p.1.5 / p.1.25 x 40
3	0.075.1452.0/10	1	sleeve
4	0.007.1146.0/10	6	inlet valve mm 43.63 / Ø mm 9
5	0.007.1147.0/10	6	exhaust valve mm 39.1 / Ø mm 9
6	0.074.1423.0	24	conical valve cotter
7	0.066.1425.0	12	cup
8	2.4019.287.0	12	spring
9	0.066.1443.0/10	24	screw
10	0.066.1432.0	12	rocker arm
11	0.066.1430.0/10	6	support
12	2.1599.432.0	12	shoulder ring
13	2.1410.055.1	12	circlip 19
14	2.0432.163.7	6	stud bolt m 10 p.1.5 / p.1.25 x 45
15	2.1011.421.2	12	nut m 10 p.1.25
16	0.021.1434.0	12	screw
17	2.1011.405.2	12	nut m 8 p.1
18	0.078.1440.3	1	cover
19	2.3171.008.4	1	plug 20
20	2.0399.130.2/10	6	screw m 8x36x44
21	2.1532.035.0	6	oil seal 14x1.78
22	0.078.1451.0/40	6	head gasket -A-
22	0.078.1452.0/30	6	head gasket -B-
22	0.078.1453.0/40	6	head gasket -C-
23	0.078.1450.3	1	cover
24	2.0432.005.7	6	stud bolt m 8 p.1.5 / p.1 x 25
25	0.007.1360.3/60	6	head
26	0.007.1779.0/10	12	valve guide
27	0.066.1427.0	6	valve seat
28	0.078.1426.0	6	valve seat
29	0.010.6041.0	6	bush
30	2.3170.012.1	12	expansion plug 30
31	0.066.1431.0	6	pin
32	2.1559.021.0/40	6	bushing 15x19x22
33	2.1530.051.0	6	oil seal 20.22x3.53
34	0.009.3877.0/10	2	tappet gasket
35	2.6859.091.0	2	clamp
36	2.1519.117.0	12	special oil seal

Section: ENGINE
LUBRICATION

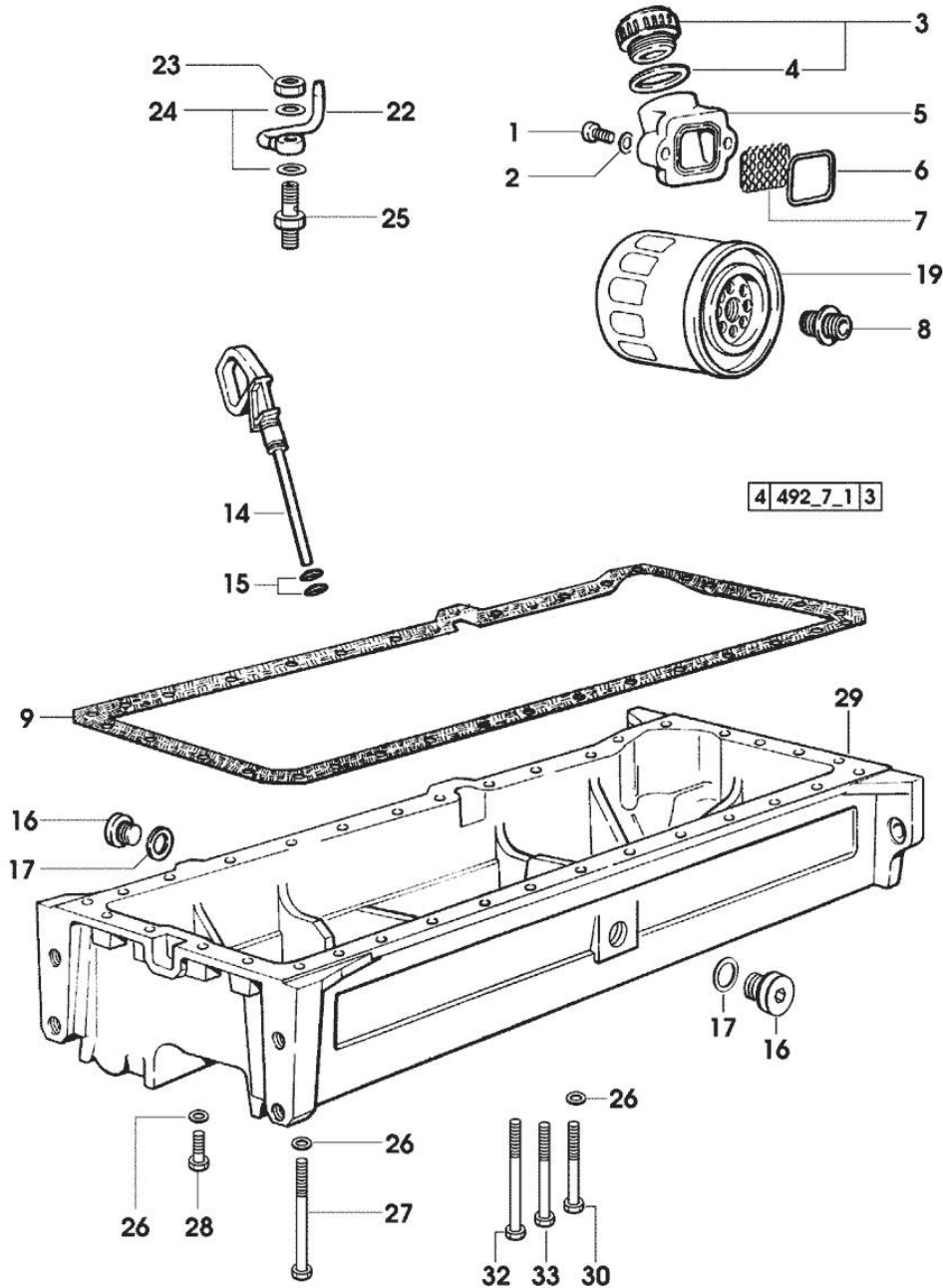


Fig.	P/n	QTY	Name
------	-----	-----	------

Notes:
-> 2001 X TITAN 160 [TITAN 190]

1	2.0312.206.2	2	screw m 8 p 1.25 x 20
2	2.1480.014.1	2	washer 8
3	0.041.1135.4	1	plug 1" gas
4	2.1569.072.0	1	gasket 32 x 39.5 x 2
5	0.065.1565.0/10	1	pipe union
6	2.1539.042.0	1	special oil seal 47.35x1.78
7	0.065.1567.0/10	1	filter
8	2.3339.307.0	2	pipe fitting m 22 p.1.5-3/4"
9	0.007.0849.0/10	1	gasket
14	0.080.1513.2/10	1	dipstick
15	2.1539.065.0	2	special oil seal 8.73 x 1.78
16	2.3199.001.2	2	plug 1/2" gas
17	2.1560.054.0	2	gasket 21 x 26
19	2.4419.340.0	2	oil filter element
22	0.007.0638.2	6	sprayers
23	2.1099.108.2	6	special nut m 10 p.1
24	2.1560.006.0	12	gasket 10.2 x 16
25	2.3249.022.2	6	pipe fitting m 10 p.1
26	2.1470.004.2	34	lock washer 8
27	2.0112.237.2	2	screw m 8 p.1.25x140
28	2.0112.215.2	25	screw m 8 p.1.25 x 40
29	0.007.1311.0/10	1	oil sump
30	2.0112.229.2	3	screw m 8 p.1.25 x 100
32	2.0112.241.2	4	screw m 8 p.1.25 x 160
33	2.0112.235.2	2	screw m 8 p.1.25 x 130

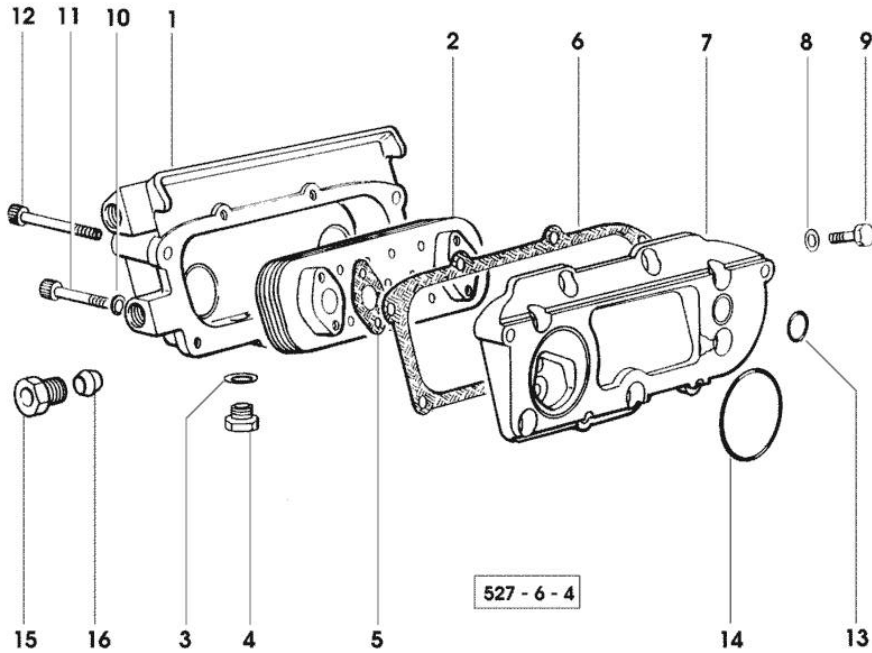
Section: ENGINE
LUBRICATION

Fig.	P/n	QTY	Name
------	-----	-----	------

Notes:

-> 2001 X TITAN 160 [TITAN 190]

1	0.007.0703.0/10	1	box
2	0.007.1239.3	1	radiator
3	2.1560.014.0	1	washer 18.2 x 24
4	2.3120.101.0	1	plug m 18 p.1.5
5	0.078.1557.0/10	2	gasket
6	0.078.1556.0/10	1	gasket
7	0.078.1555.0/10	1	plate
8	2.1310.004.2	8	flat washer 8.4x17
9	2.0112.205.2	8	screw m 8 p.1.25 x 16
10	2.1480.014.1	4	washer 8
11	2.0312.220.1	2	screw m 8 p.1.25x70
12	2.0312.222.2	2	screw m 8 p.1.25 x 80
13	2.1539.048.0	1	special oil seal 20.35x1.78
14	2.1539.050.0	1	special oil seal 69.57x1.78
15	2.3249.023.1	2	pipe fitting m 24 p.2
16	2.3350.008.1	2	nosepiece 18



Section: ENGINE
LUBRICATION

492 - 8 1

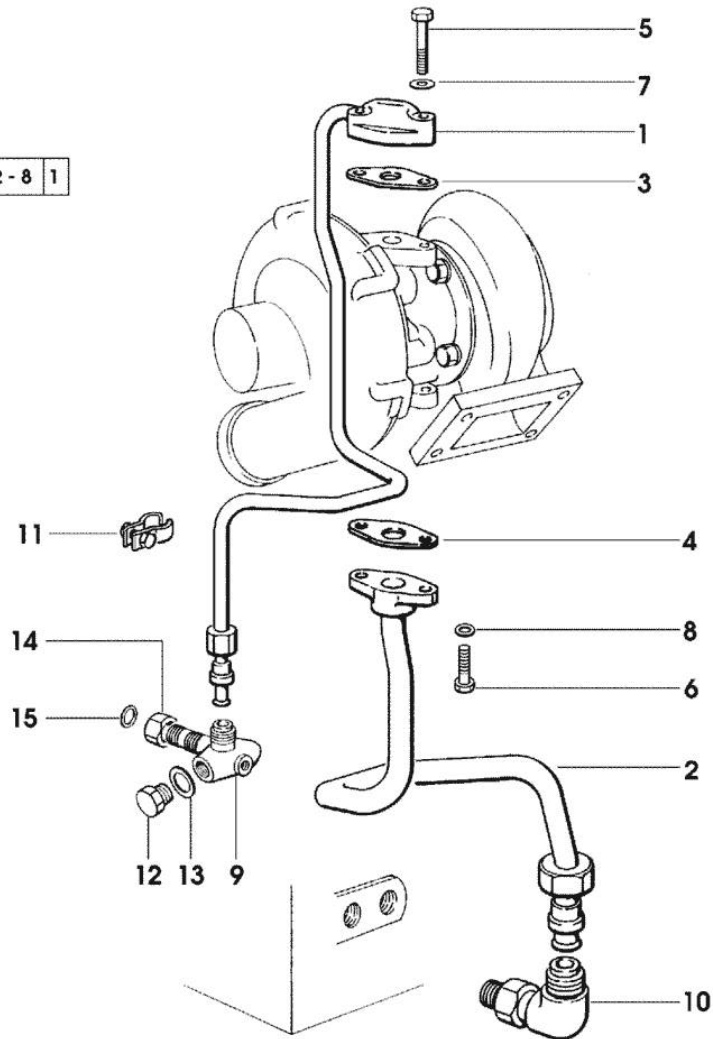


Fig.	P/n	QTY	Name
------	-----	-----	------

Notes:
[TITAN 190]

1	0.007.1300.3	1	tube
2	0.007.1301.3	1	tube
3	0.052.1557.0	1	gasket
4	0.052.1558.0/10	1	gasket
5	2.0312.212.2	2	screw m 8 p.1.25 x 35
6	2.0112.207.2	2	screw m 8 p 1.25 x 20
7	2.1480.014.1	2	washer 8
8	2.1470.004.2	2	lock washer 8
9	2.3339.673.0/10	1	pipe fitting
			* 1567 <= X TITAN 160
			* 1649 <= X TITAN 190
			- N.1 - 2.3110.403.7 - 2.1560.009.0
			2.1019.129.2/10 - 2.1530.038.0
10	2.3264.021.2	1	pipe fitting m 22 p.1.5 - 1" 1/16
11	0.007.1317.4	1	bracket
12	2.3110.403.7	1	plug m 14 p.1.5
13	2.1560.010.0	1	gasket 14.2 x 20
14	2.1019.129.2/10	1	nut m 18 p.1.5x12
15	2.1530.038.0	1	oil seal 15.54x2.62

Section: ENGINE
LUBRICATION

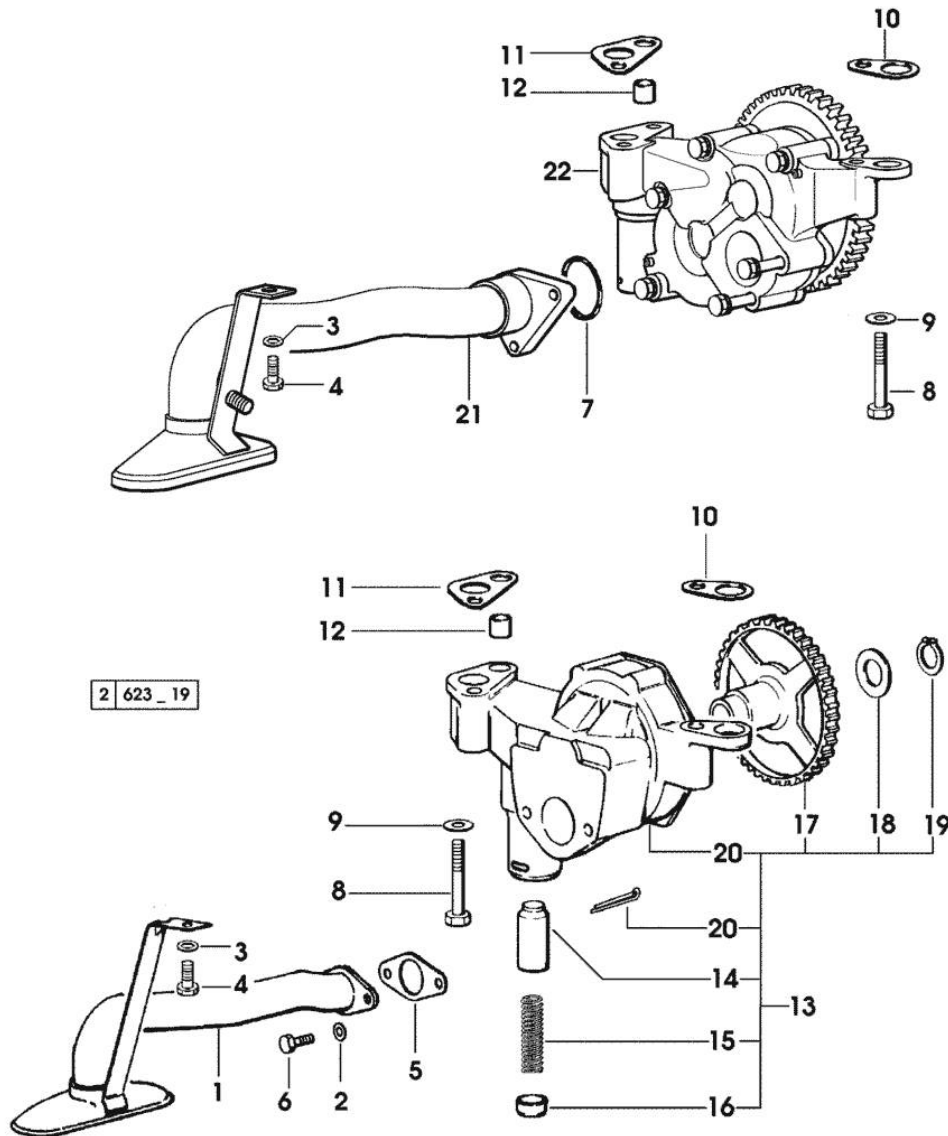


Fig.	P/n	QTY	Name
Notes: [TITAN 190]			
1	0.007.1312.3	1	tube (...) <-
2	2.1470.004.2	2	lock washer 8
3	2.1470.004.2	1	lock washer 8
4	2.0112.205.2	1	screw m 8 p.1.25 x 16
5	0.007.0997.0	1	gasket (...) <-
6	2.0112.207.2	2	screw m 8 p 1.25 x 20
7	2.1539.153.0	1	oil seal 32.99x2.6 -> (...)
8	2.0112.322.2	3	screw m 10 p.1.5x65
9	2.1310.006.2	3	flat washer 10.5x21
10	0.007.0972.0	2	shim
11	0.007.0973.0	2	shim
12	0.007.0867.0	1	bush
13	0.000.0000.1	1	cannot be supplied * (...) <- - N.1 - 010.0194.4/30 - 011.0087.4 - 2.1539.153.0
14	0.007.1371.0	1	piston
15	0.007.1373.0	1	spring
16	0.007.1372.0	1	cup
17	0.007.1438.0/10	1	gear
18	0.007.1437.0	1	washer
19	0.007.1436.0	1	circlip
20	0.000.0000.1	1	cannot be supplied
21	0.011.0087.4	1	tube -> (...)
22	0.010.0194.4/30	1	oil pump -> (...) ☞ 0.010.0194.4/30 ☞ 01.00.40

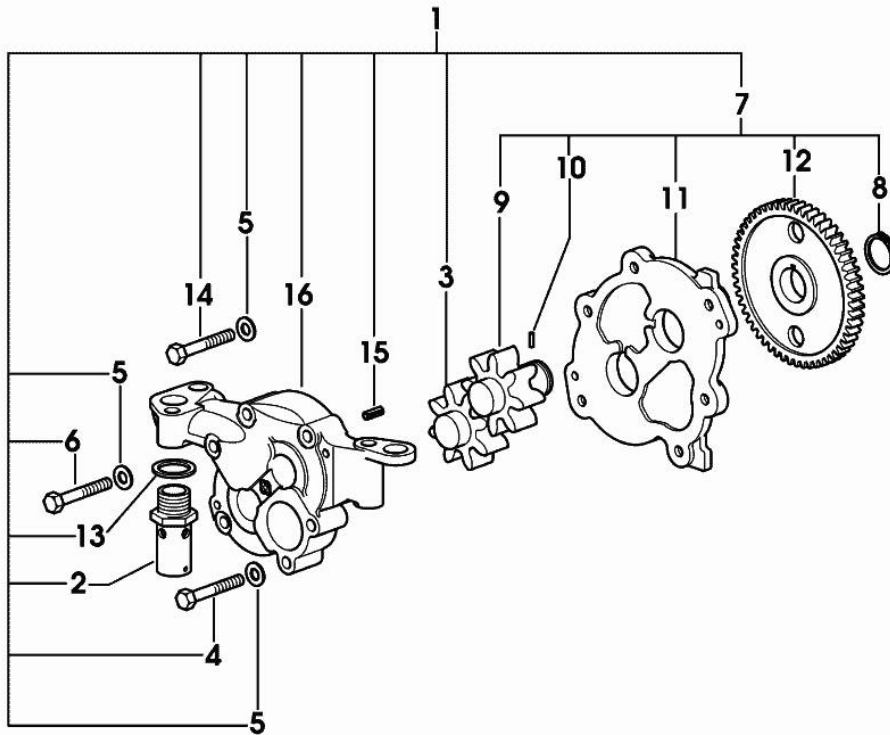
Section: ENGINE

OIL PUMP

Fig.	P/n	QTY	Name
------	-----	-----	------

Notes:
[TITAN 190]

1	0.010.0194.4/30	1	oil pump ☞ 0.010.0194.4/30
2	0.007.0866.3/10	1	valve
3	0.010.1709.0	1	gear z=8
4	2.0112.220.2	2	screw m 8 p.1.25x55
5	2.1475.002.7	6	washer 8.4
6	2.0112.219.2	2	screw m 8 p.1.25x55
7	0.010.0195.3/20	1	cover
8	2.1410.064.7	1	circlip
9	0.010.1708.0/20	1	gear z=8
10	2.1651.204.0	1	pin 3x10
11	0.000.0000.1		cannot be supplied
12	0.000.0000.1		cannot be supplied
13	2.1560.020.0	1	copper gasket 24.3x32
14	2.0112.217.2	2	screw m 8 p.1.25 x 45
15	2.1630.608.0	2	pin 6x16
16	0.000.0000.1		cannot be supplied



0_010_0194_4_30

Section: ENGINE
LUBRICATION

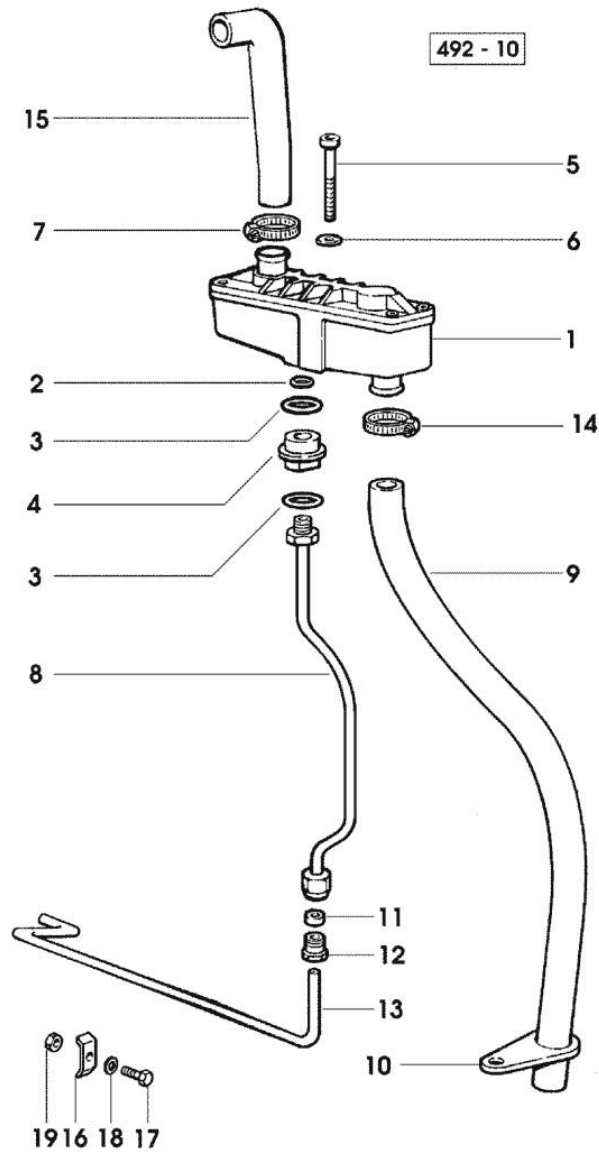
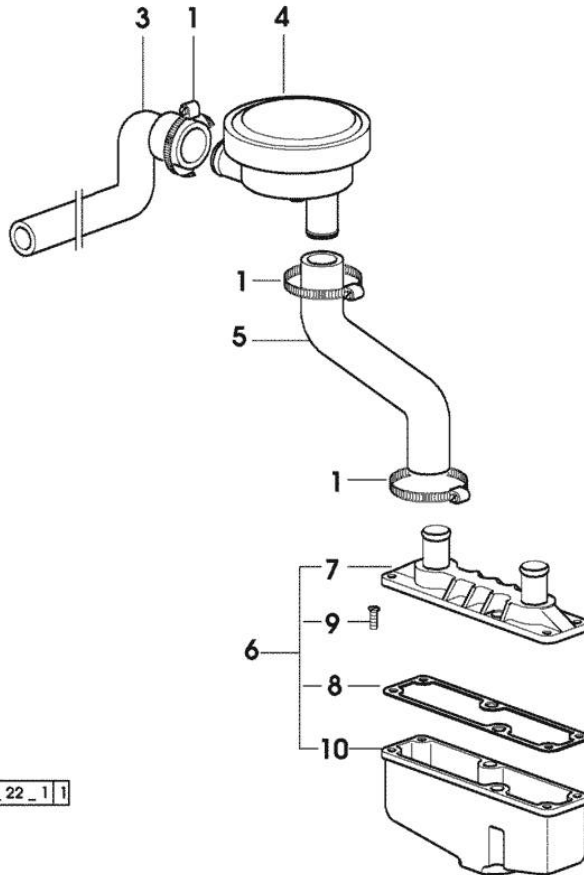


Fig.	P/n	QTY	Name
Notes:			
[TITAN 190]			
1	0.075.1557.4	1	sediment bowl ☞ 01.00.49
2	2.1560.008.0	1	gasket 12.2 x 18
3	2.1539.072.0	2	special oil seal 23.52 x 1.78
4	0.075.1553.0	1	bush
5	2.0312.221.2	2	screw m 8 p.1.25x75
6	2.1480.014.1	2	washer 8
7	2.6859.086.0	2	clamp
8	0.007.0861.0	1	tube
9	0.075.1554.0	1	tube
10	0.075.1151.0	1	bracket
11	2.3350.003.1	1	nosepiece 8
12	2.3339.418.1	1	pipe fitting m 12 p.1
13	0.007.0970.0	1	tube
14	2.6859.086.0	1	clamp
15	0.075.1453.0/10	1	tube
16	0.002.8816.0	1	small plate
17	2.0112.007.2	1	screw m 6 p.1 x 20
18	2.1310.002.2	1	flat washer 6.4x12.5
19	2.1011.103.2	1	nut m 6 p.1

Fig.	P/n	QTY	Name
------	-----	-----	------

Notes:
 [TITAN 190]

1	2.6850.004.0	4	clamp
3	0.011.1208.0	1	tube
4	0.010.6507.0	1	valve
5	0.011.1209.0	1	tube
6	0.010.6512.4	1	sediment bowl
7	0.010.6513.3	1	cover
8	0.075.1559.0	1	gasket
9	2.0351.203.2	4	screw 3.5x9.5
10	0.010.6512.0	1	sediment bowl



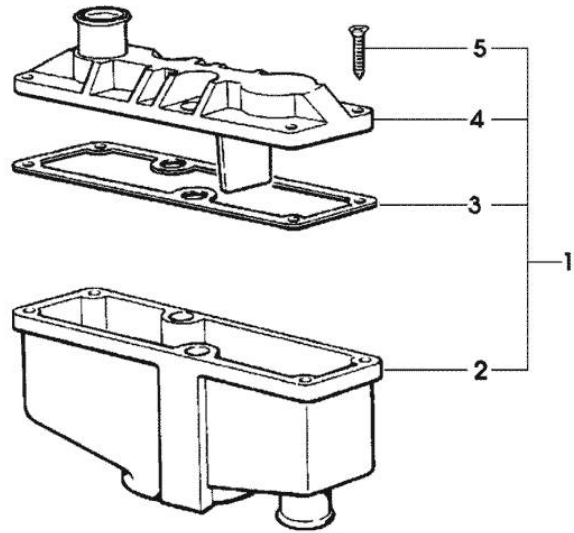
4 | 624_22_1 | 1

OIL VAPORS SEDIMENT BOWL PARTS

Fig.	P/n	QTY	Name
------	-----	-----	------

Notes:
[TITAN 190]

1	0.075.1557.4	1	sediment bowl
2	0.075.1558.3	1	old part number
3	0.075.1559.0	1	gasket
4	0.075.1557.3	1	old part number
5	2.0351.203.2	4	screw 3.5x9.5



075.1557.4
492 - 11

Section: ENGINE
FUEL SUPPLY SYSTEM

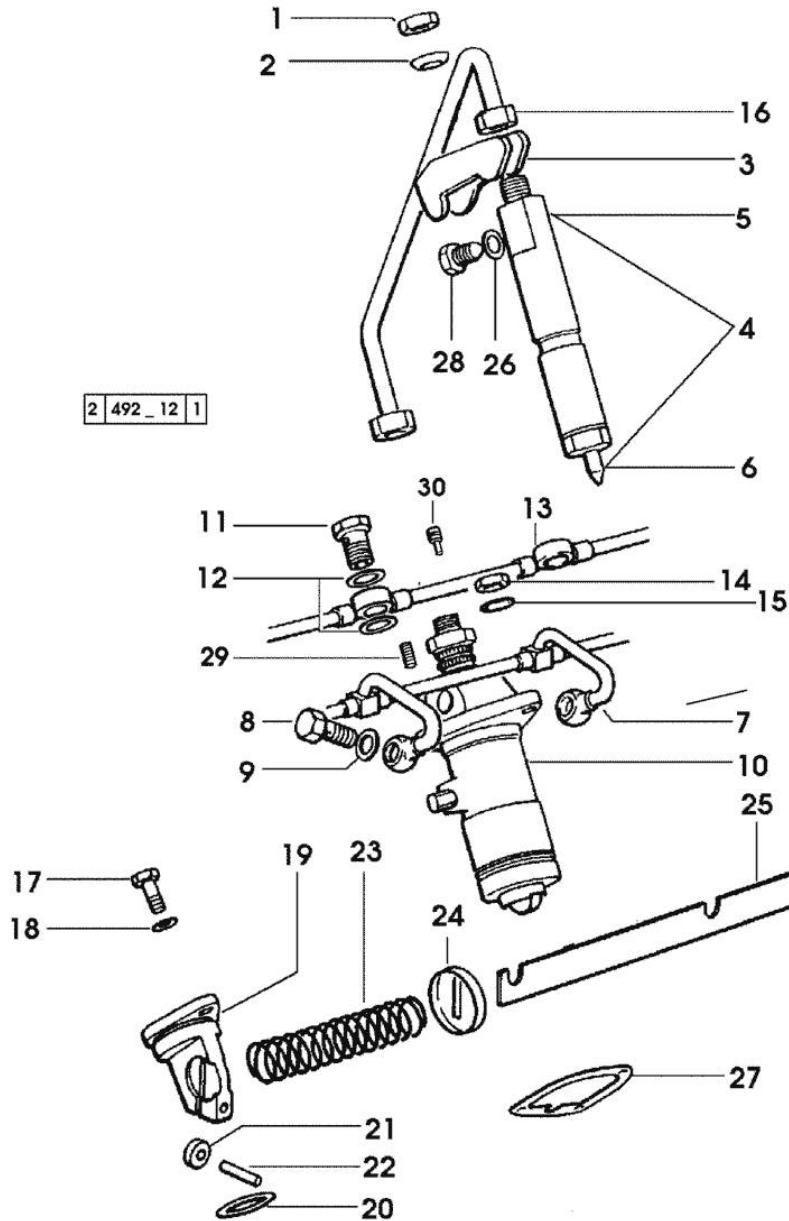
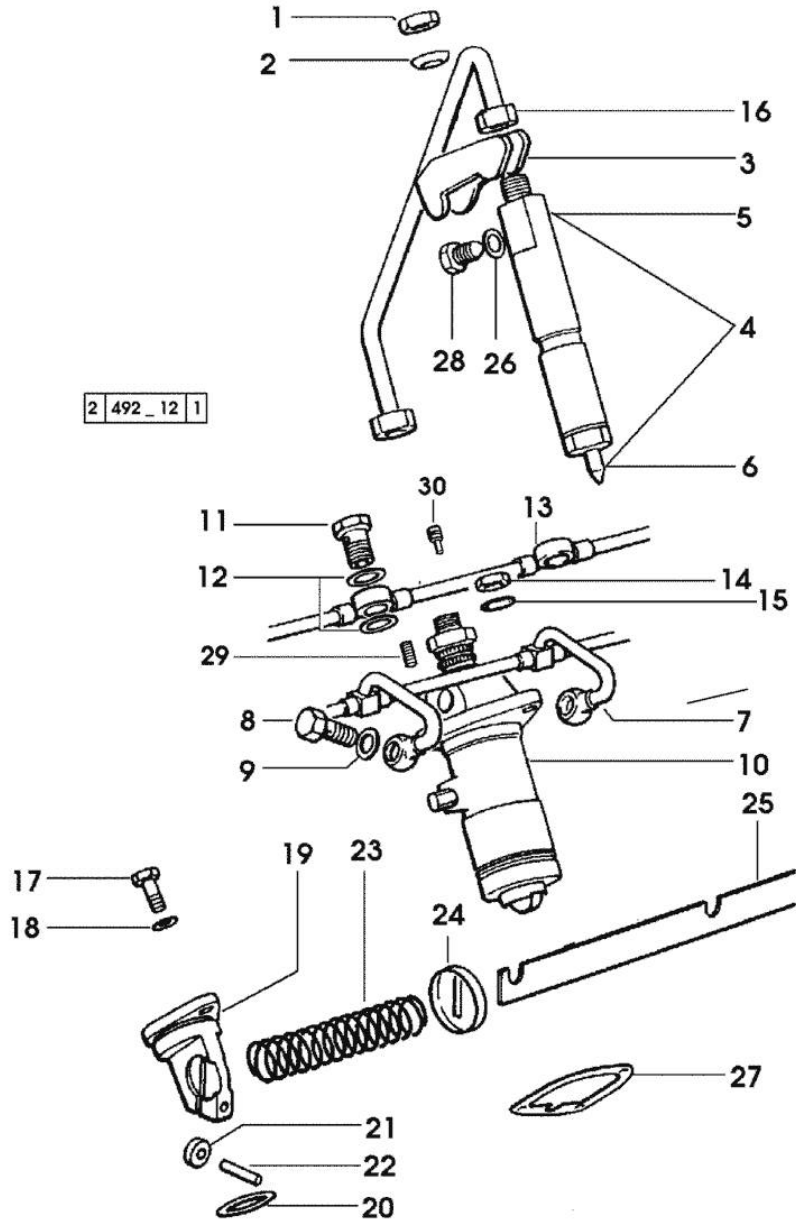


Fig.	P/n	QTY	Name
Notes: [TITAN 190]			
1	2.1011.421.2	6	nut m 10 p.1.25
2	2.1599.454.0	6	shoulder ring 10.5x17x7.5
3	0.011.5275.0/20	6	bracket
4	2.4719.280.0	6	injector assembly BOSCH
4	2.4719.330.0	6	injector assembly - X TITAN 160 - TITAN 190 - EXPORT U.S.A.
5	2.4719.190.0	6	nozzle holder BOSCH ☞ 2.4719.190.0 ☞ 01.00.73
6	2.4729.140.0	6	nozzle BOSCH
6	2.4729.180.0/10	6	nozzle - X TITAN 160 - TITAN 190 - EXPORT U.S.A.
7	0.007.1789.3/10	1	tube
8	2.3339.001.2	6	pipe union m 10 p.1x27
9	2.1560.005.0	12	copper gasket 10.2 x 14
10	2.4619.060.0/10	6	injector pump * 1408 <= X TITAN 160 * 1516 <= X TITAN 190 - N.1 - 2.0512.102.7 ☞ 2.4619.060.0/10 ☞ 01.00.70
11	2.3339.118.1	6	pipe union m 12 p.1.5
12	2.1560.008.0	12	gasket 12.2 x 18
13	0.007.0091.3	1	tube 2000 <- X TITAN 160
13	0.007.1393.3	1	tube -> 2001 X TITAN 160 - X TITAN 190
14	2.1011.405.2	18	nut m 8 p.1
15	2.1599.458.0/10	18	shoulder ring 8.4x18x2
16	0.078.1650.3	6	tube
17	2.0112.207.2	3	screw m 8 p 1.25 x 20
18	2.1470.004.2	3	lock washer 8
19	0.065.1693.0/20	3	support
20	2.1530.072.0	3	oil seal 26.70x1.78
21	0.065.1660.0	2	roller
22	2.1652.507.0	2	pin 6x16
23	2.4019.314.1/20	1	spring 21.5x76x1
24	0.065.1659.0	1	stop

FUEL SUPPLY SYSTEM

Fig.	P/n	QTY	Name
25	0.075.1613.3/10	1	rod
26	2.1560.001.0	6	gasket 6.2x10
27	0.065.1655.0/10	12	shim mm 0.1
27	0.065.1656.0/10	24	shim mm 0.20
28	2.3119.024.2	6	plug m 6
29	2.0512.102.7	6	screw m 6 p.1 x 8
30	2.3199.270.0		plug 5.9x7.8



Section: ENGINE
FUEL SUPPLY SYSTEM

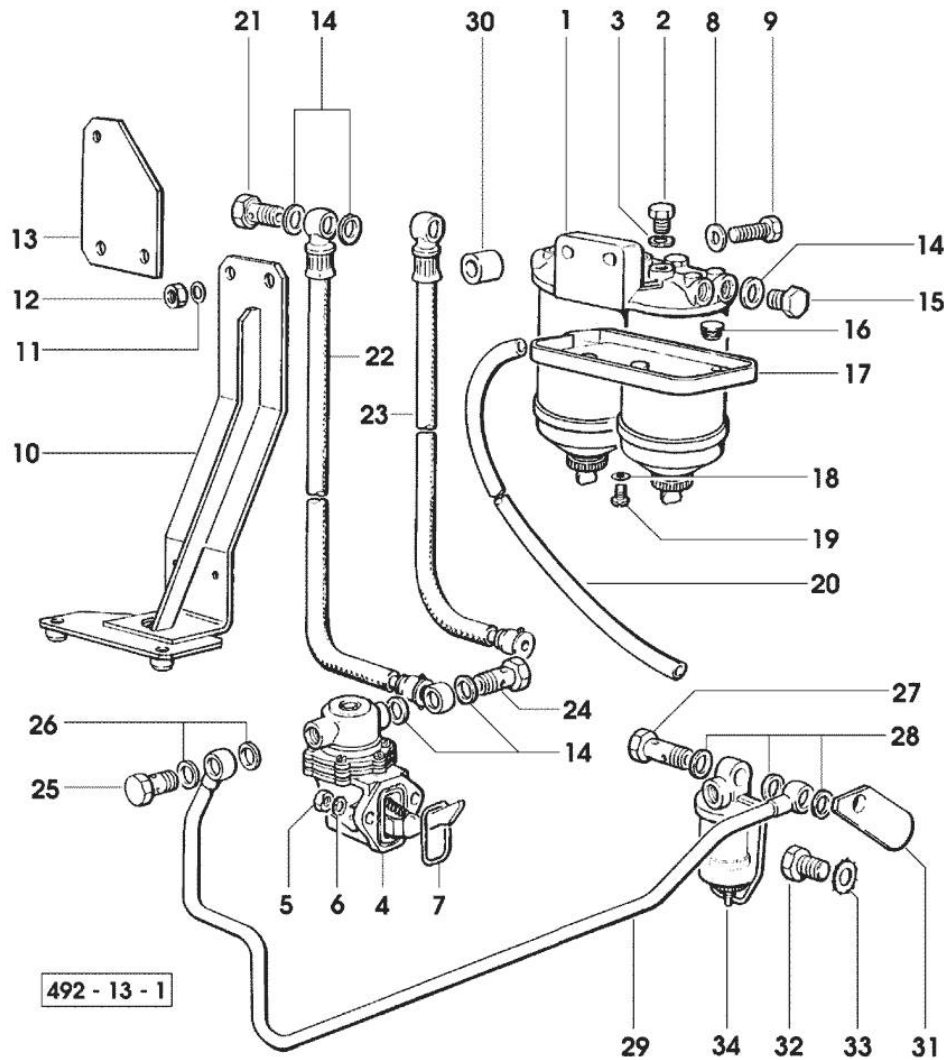


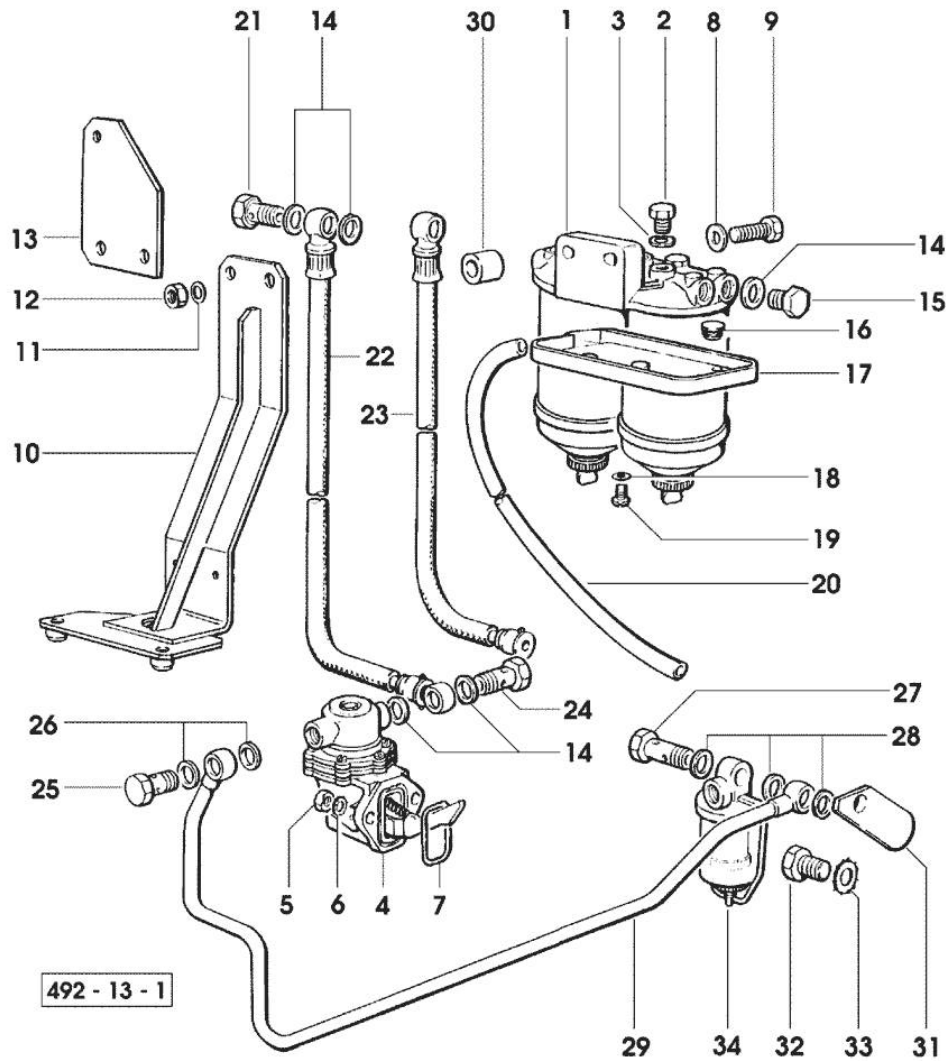
Fig.	P/n	QTY	Name
Notes:			
-> 2001 X TITAN 160 [TITAN 190]			
1	2.4319.180.0	1	fuel filter ☞ 2.4319.180.0 ☞ 01.00.82
2	2.3119.005.2	3	plug m 10 p.1.5
3	2.1560.005.0	3	copper gasket 10.2 x 14
4	2.4519.310.0	1	feed pump ☞ 2.4519.310.0 ☞ 01.00.76
5	2.1011.405.2	2	nut m 8 p.1
6	2.1470.004.2	2	lock washer 8
7	2.1539.045.0	1	special oil seal 37.77x2.62
8	2.1310.006.2	2	flat washer 10.5x21
9	2.0112.323.2	2	screw m 10 p.1.5x70
10	0.007.1392.2/10	1	bracket
11	2.1470.006.2	2	lock washer 10
12	2.1011.106.2	2	nut m 10 p.1.5
13	0.009.1644.0	1	small plate - X TITAN 160
13	0.009.1645.0	1	small plate - X TITAN 190
14	2.1561.007.0	8	copper gasket 14,8x22.2
15	2.3110.403.1	1	plug m 14 p.1.5x12
16	2.3199.163.0	1	plug 10x6
17	0.007.1219.0	1	small tank
18	2.1310.002.2	2	flat washer 6.4x12.5
19	2.0350.753.2	2	screw 6.3x9.5
20	0.075.1657.0/10	1	tube
21	2.3332.004.1	2	pipe union m 14 p.1.5
22	0.007.1396.3	1	tube
23	0.007.1397.3	1	tube
24	2.3339.357.2/10	1	pipe union m 14 p.1.5x28
25	2.3339.357.2/10	1	pipe union m 14 p.1.5x28
26	2.1561.007.0	2	copper gasket 14,8x22.2
27	2.3339.040.2	1	pipe union m 14 p.1.5x45
28	2.1561.007.0	3	copper gasket 14,8x22.2
29	0.008.3511.3/30	1	tube
30	2.1579.982.2	2	spacer 13.2x25x25
31	0.007.1213.2/20	1	support
32	2.0122.507.2	1	screw m 12 p.1.25 x 20
33	2.1470.008.2	1	lock washer 14
34	2.4319.220.0	1	precleaner

FUEL SUPPLY SYSTEM

Fig.	P/n	QTY	Name
------	-----	-----	------

☞ 2.4319.220.0

☞ 01.00.79



Thank you so much for reading.
Please click the “Buy Now!”
button below to download the
complete manual.



After you pay.

You can download the most
perfect and complete manual in
the world immediately.

Our support email:

ebooklibonline@outlook.com