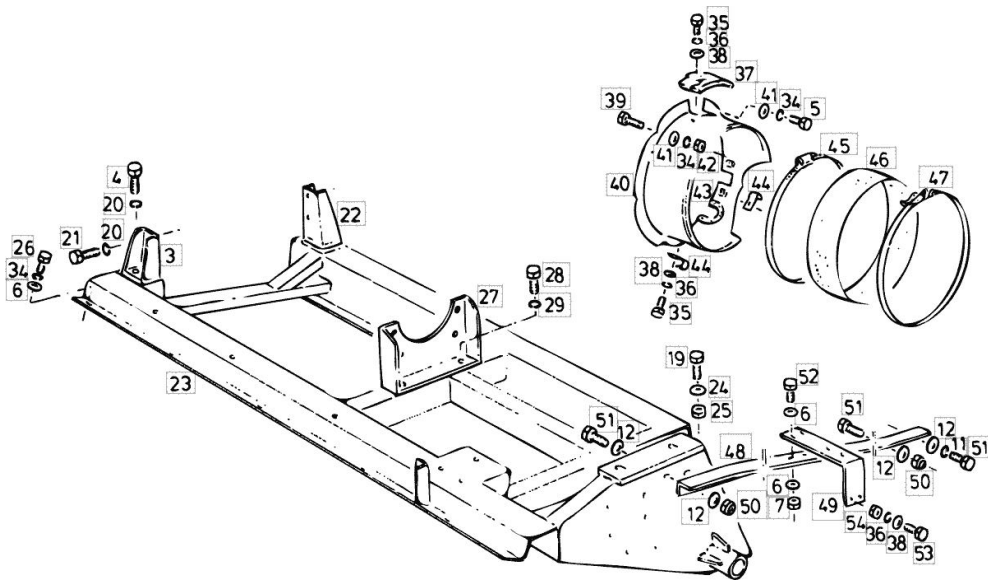


ENGINE ASSEMBLY PARTS 150 KW / 205 HP 176 KW / 240 HP

Fig.	P/n	QTY	Name
------	-----	-----	------

Notes:

TYP 4065 150 KW/205 PS ----- TYP 4068 176 KW/240 PS
 ----- [TOPLINER 4065]



3	16005430	1	support
4	01112547	4	screw m 12 x 40, d933
5	01112307	5	screw m 8 p.1.25 x 15, d933
6	01107163		washer 9, d126
7	01104944	2	nut m 8, d985
11	01102800		washer 10.2
12	01107165		washer 10.5
19	01112538	3	screw m 12 x 35, d933
20	01102801	10	washer 12
21	01112554	4	screw m 12 x 45
22	06254961	2	bracket
23	16005425	1	chassis frame
24	06214206	5	washer 13.2
25	06209769	4	nut m 12, d985
26	01112322	4	screw m 8 p.1.25 x 20
27	06288037	1	console
28	01112661	2	screw
29	01127856	2	nut m 16, d985
34	01102799	10	washer 8, d128
35	01103316	5	screw m 6 p.1.0 x 16
36	01102797	9	washer 6, d128
37	06526626	1	plate
38	06214189	5	washer 6.4
39	01137744	1	screw m 8 x 40
40	16005473	1	ring G 40,35-38
41	01138374	5	washer 8,4x21x4
42	01112824	1	nut m 8, d934
43	16005478	1	plate
44	06526624	3	guide
45	01137577	1	fascia 360-380/13
46	16005437	1	screw
47	01145092	1	fascia d365
48	16005469	1	support
49	16005472	1	square
50	06209768	3	nut m 10, d985
51	01112439	3	screw m 10 x 35, d933
52	01112333	2	screw m 8 x 25, d933
53	01112264	4	screw m 6 x 20, d933
54	01112813	4	nut m 6

ENGINE EXHAUST SYSTEM ASSEMBLY PARTS

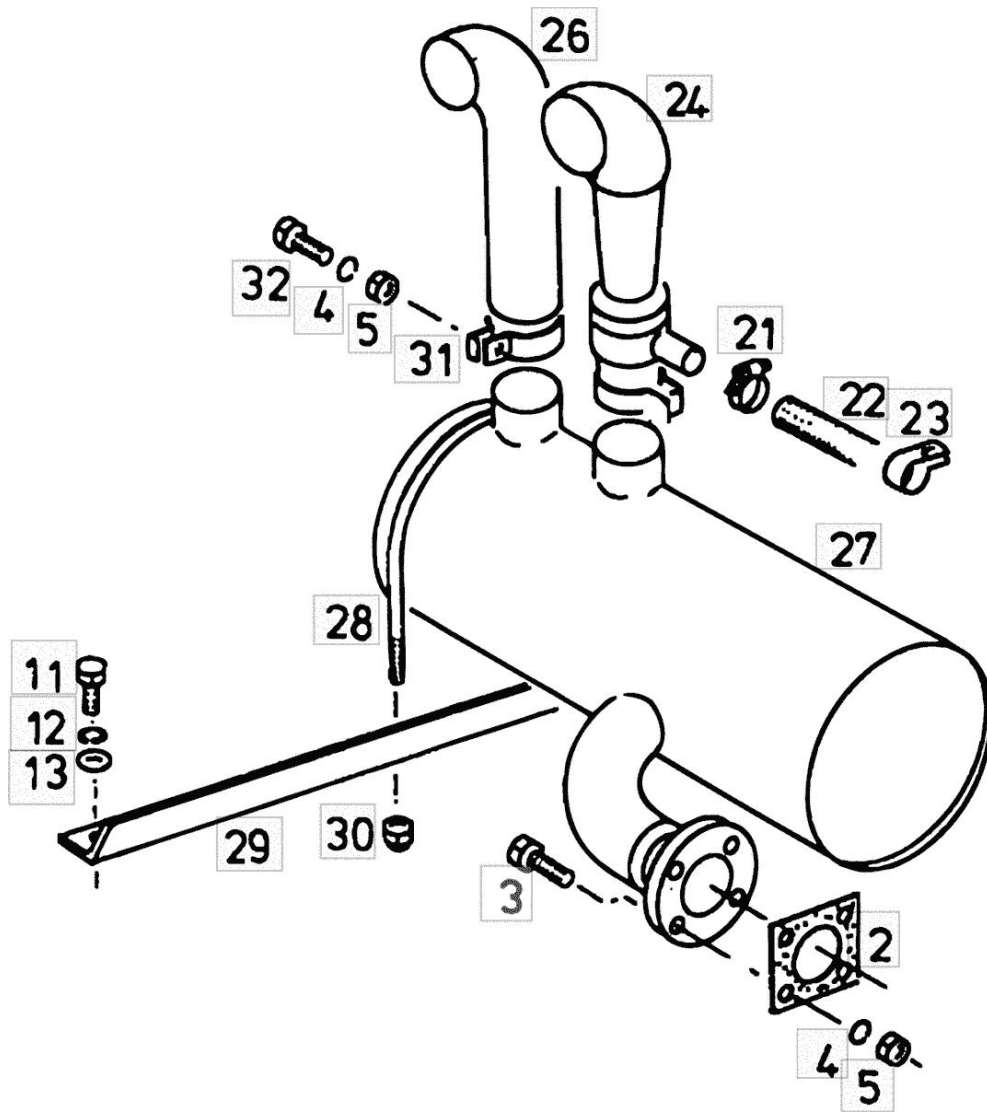


Fig.	P/n	QTY	Name
------	-----	-----	------

Notes:
[TOPLINER 4065]

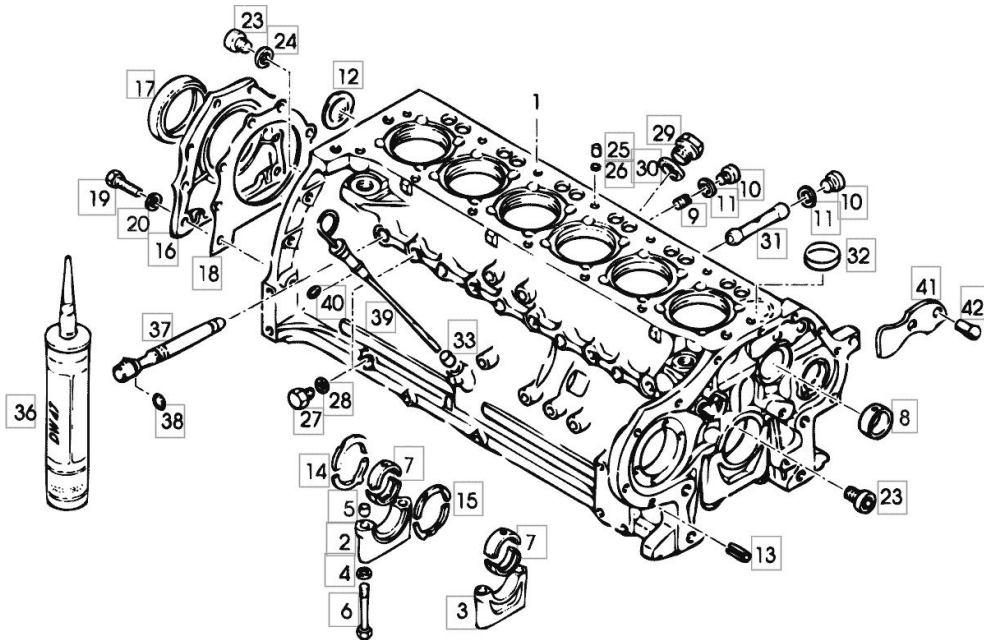
2	04157260	1	gasket
3	01112447	4	screw m 10 x 40
4	01102800	5	washer 10.2
5	01102659	5	nut m 10, d934
11	01112429	2	screw m 10 x 30, d933
12	01102800	2	washer 10.2
13	01107165	2	washer 10.5
17	06279395	2	fascia
18	01112333	2	screw m 8 x 25, d933
19	01102799	2	washer 8, d128
20	01112824	2	nut m 8, d934
21	01173968	2	clamp Ø 25/40
22	06530905	1	tube
23	04336881	4	clamp Ø 38
24	06513395	1	tube
25	16010596	1	pin
26	16029496	1	exhaust pipe TYP 4068
26.1	16033836	1	tube TYP 4065
27	16022118	1	silencer
28	16022128	1	u bolt m 8
29	16022127	1	console
30	01104944	2	nut m 8, d985
31	01120895	1	fascia Ø 75
32	01112447	2	screw m 10 x 40

ENGINE CRANKCASE 150 KW / 205 HP 176 KW / 240 HP

Fig.	P/n	QTY	Name
------	-----	-----	------

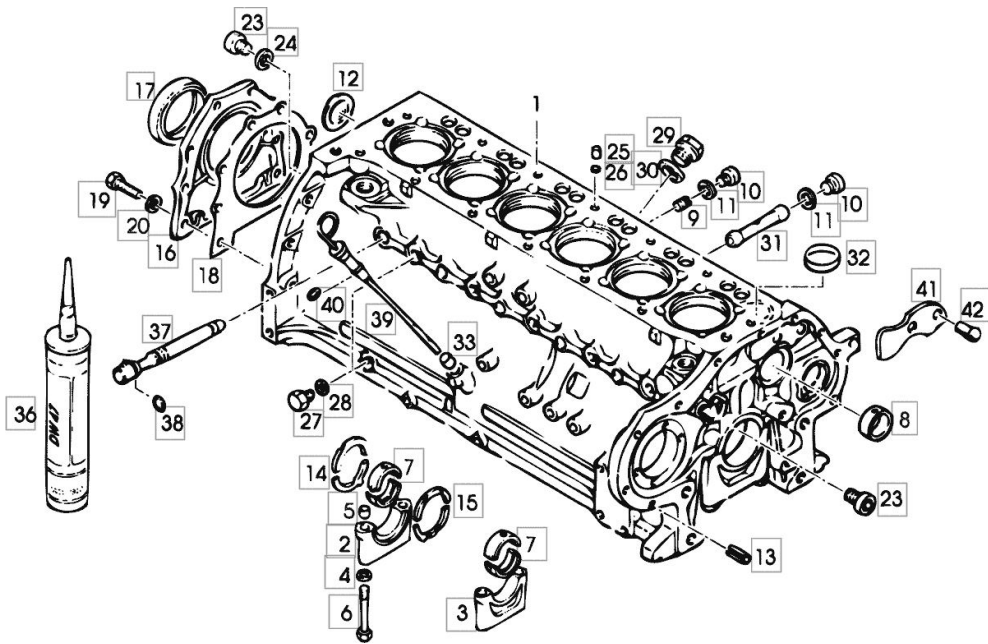
Notes:
[TOPLINER 4065]

1.1	04158915	1	crankcase G 2-6,9-13,23,24,27-30,36
2	NL		cannot be supplied
3	NL		cannot be supplied
4	01216107	14	washer 15x23x1,5
5	04160764	14	bushing
6	04156058	14	screw
7	04231079	7	half-bushing D 75,00 MM
7.1	04231080		bearing D 74,75 MM
7.2	04231081		bearing D 74,50 MM
8	02139737	1	bushing
9	01215235	7	plug
10	01110422	7	screw
11	01118673	7	oil seal
12	01216240	1	disc
13	01167266	2	bush
14	04232790	1	shim 2,94 MM
14.1	04232792		shim 3,14 MM
15	04232791	1	shim 2,94 MM
15.1	04232793		disc 3,14 MM
16	02234870	1	cover
17	04232267	1	special oil seal
18	03362337	1	gasket
19	01112322	8	screw m 8 p.1.25 x 20
20	01107101	8	washer 8.4
23	04159934	2	screw
24	04159935	2	oil seal
25	NE		plate
26	NE		plate
27	01118997	5	screw cm10x1
28	01118659	5	oil seal
29	01170580	1	plug
30	01167010	1	washer
31	NE		plate



ENGINE CRANKCASE 150 KW / 205 HP 176 KW / 240 HP

Fig.	P/n	QTY	Name
32	01176197	1	stop
33	01167269	1	bush
36	01016120		compound 1 kg
37	04231147	6	injector assembly
38	01173838	6	oil seal
39	01176376	1	dipstick G 39,40
40	01165975	1	oil seal 5x2
41	04156862	1	plate
42	01115333	2	self tapping screw

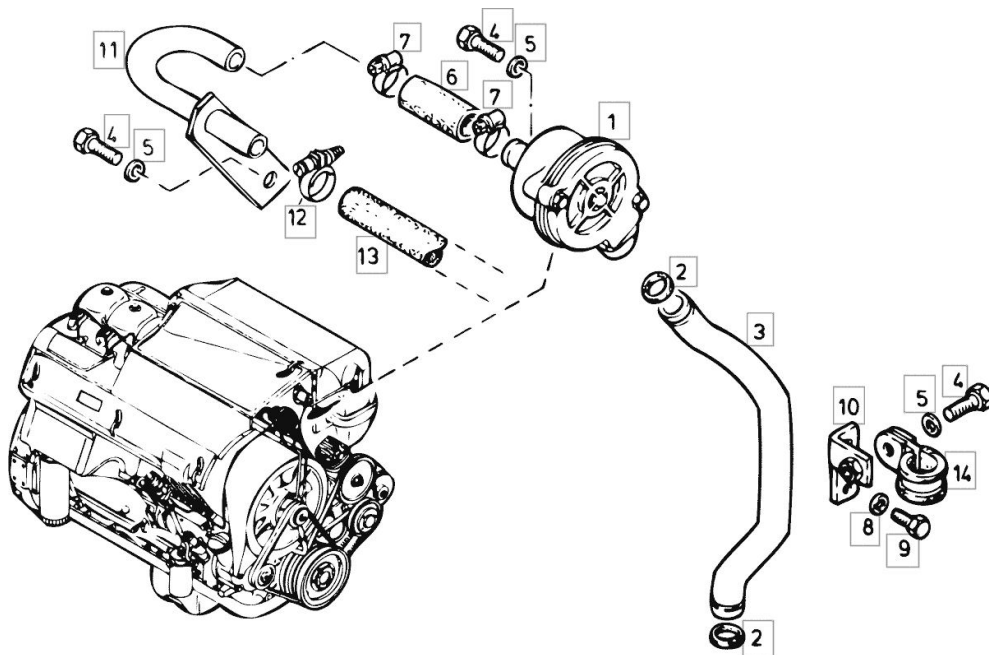


ENGINE / CRANKCASE BREATHER 150 KW / 205 HP 176 KW / 240 HP

Fig.	P/n	QTY	Name
------	-----	-----	------

Notes:
[TOPLINER 4065]

1	04231246	1	screw
2	01160480	2	oil seal
3	04150574	1	tube
4	01112322	3	screw m 8 p.1.25 x 20
5	01107101	3	washer 8.4
6	01175625	1	rubber sleeve 19X26X63
7	01173967	2	stop 16-25
8	01107095	2	washer 6.4
9	01112240	2	screw m 6 x 12
10	04153826	1	console
11	04153864	1	tube
12	01166366	2	fascia
13	01175626	1	guard
14	01173664	1	fascia

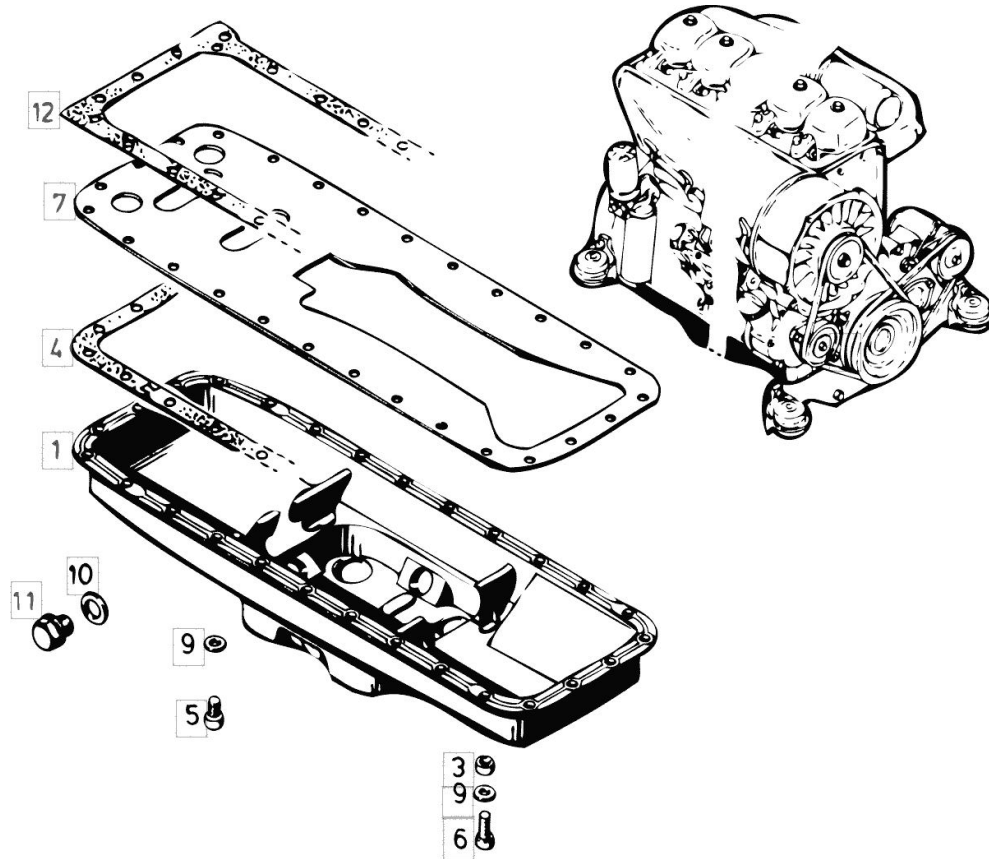


Section: ENGINE
ENGINE OIL PAN

Fig.	P/n	QTY	Name
------	-----	-----	------

Notes:
 [TOPLINER 4065]

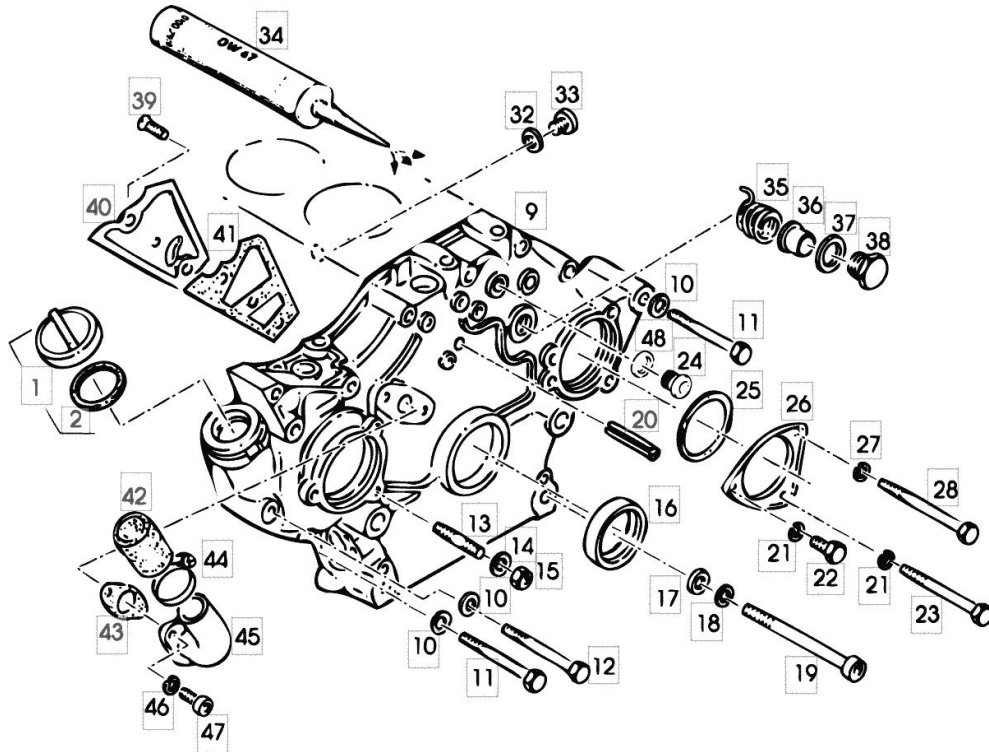
1	02234521	1	oil sump 125 KW
3	01216151	1	bushing
4	04157240	1	gasket
5	01102193	26	screw m 8 x 16
6	01110577	1	screw m 8 x 25
7	04161492	1	division
9	01107548	27	washer 8.4
10	01118784	1	oil seal 30x36x2 d7603
11	01220240	1	screw
12	03362581	1	gasket



ENGINE FRONT COVER 150 KW / 205 HP 176 KW / 240 HP

Fig.	P/n	QTY	Name
------	-----	-----	------

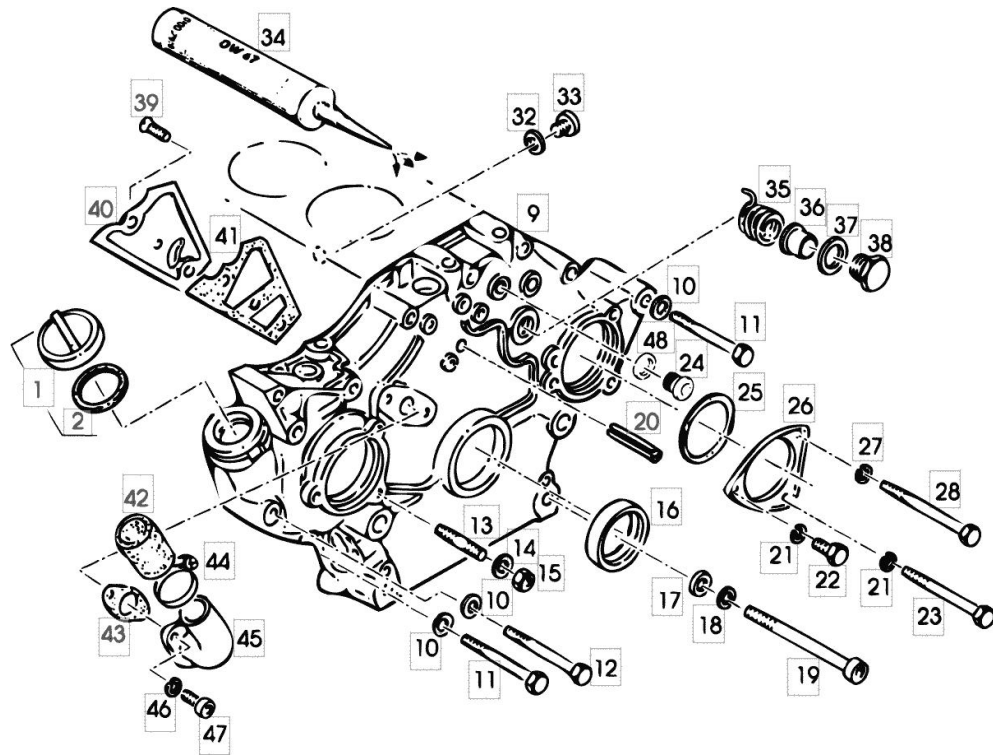
Notes:
[TOPLINER 4065]



1	01236291	1	plug
2	01236290		oil seal
9	04158438	1	cover
10	01107101	5	washer 8.4
11	01111179	3	screw m 8 x 70, d931
12	01127046	1	screw m 8 x 60
13	01174192	1	screw
14	01216108	2	washer
15	01122477	2	nut m 8 p.1.25
16	04232266	1	ring
17	01107556	16	washer
18	01127679	4	spring washer
19	01102281	4	screw m14x100 d912
20	01115460	1	pin
21	01102799	2	washer 8, d128
22	01112299	1	screw m 8 x 12, d933
23	01122399	1	screw
24	01151441	1	screw
25	01166111	1	oil seal
26	02238504	1	cover
27	01102800	1	washer 10.2
28	01111336	1	screw m 10 x 75
32	01118673	1	oil seal
33	01110422	1	screw
34	01016120		compound 1 kg
35	02237638	1	spring B A18
36	02135019	1	tube B A18
37	01118750	1	oil seal B A18
38	04230057	1	screw B A18
39	01137776	3	screw
40	02231500	1	plate
41	02230313	1	gasket
42	01175628	1	rubber sleeve B A40
43	01178417	1	gasket B A40
44	01173962	1	clamp Ø 20/32

ENGINE FRONT COVER 150 KW / 205 HP 176 KW / 240 HP

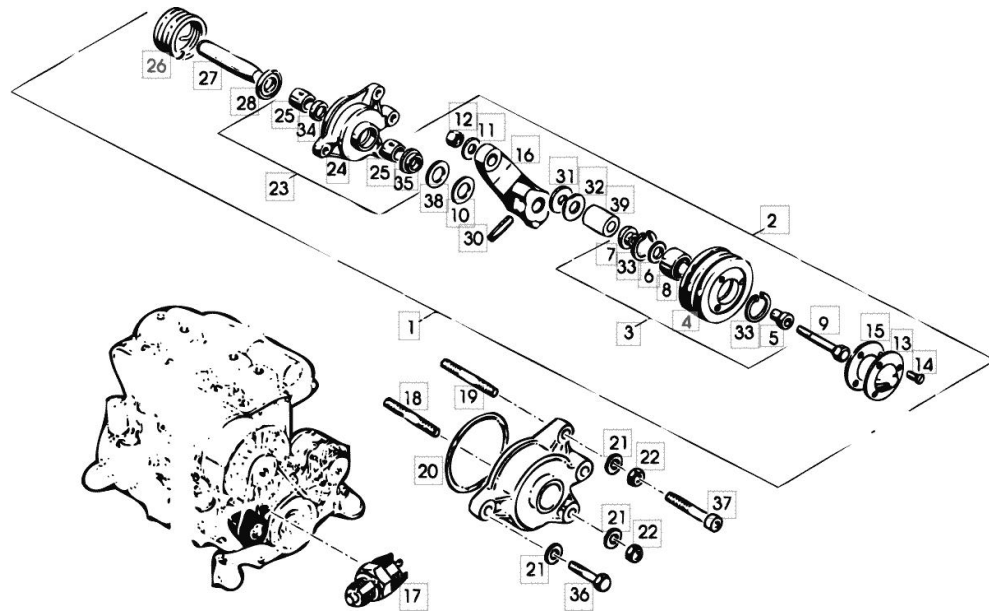
Fig.	P/n	QTY	Name
45	04153420	1	B A40 piping
46	01216121	2	washer
47	01102195	2	screw m8x22 d912
48	01118716	1	oil seal 18 x 24



ENGINE COVER WITH IDLER PULLEY

Fig.	P/n	QTY	Name
------	-----	-----	------

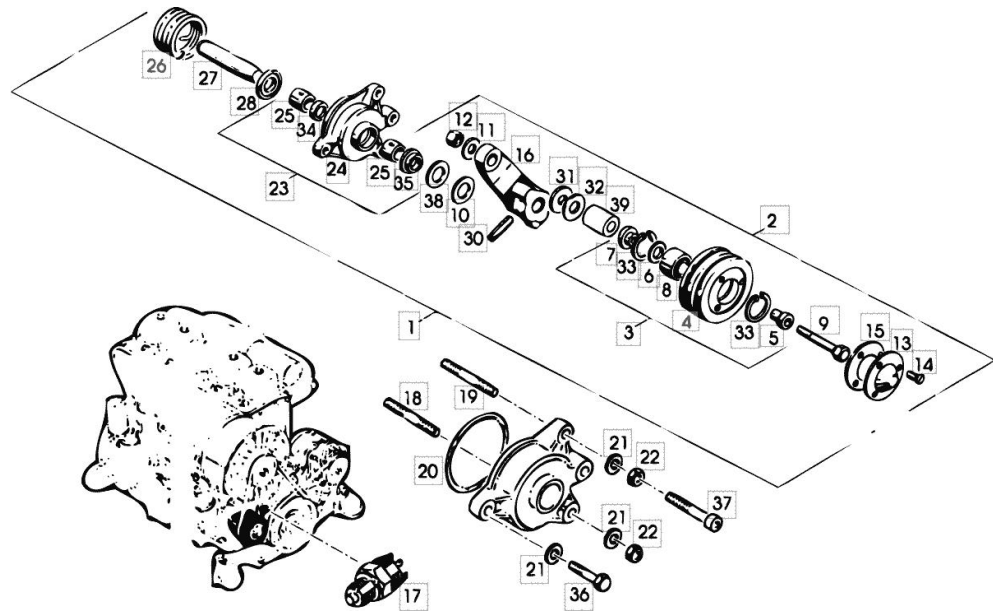
Notes:
[TOPLINER 4065]



1	04152514	1	tensioner 125 KW
1.1	04152516	1	tensioner 150 KW / 176 KW
2	04152524	1	pulley 125 KW
2.1	04152526	1	pulley 150 KW / 176 KW
3	02237959	1	pulley
4	02237846	1	pulley
5	02237849	1	bush
6	02237850	1	washer
7	02237848	1	ring
8	01171646	1	ball bearing
9	01111317	1	screw m 10x60 d931 125 KW
9.1	01111339	1	screw m 10 x 80 150 KW / 176 KW
10	04150578	1	shim 125 KW
10.1	04152509	1	shim 150 KW / 176 KW
11	01107105	1	washer 10.5
12	01102659	1	nut m 10, d934
13	02237847	1	cover
14	01136951	3	screw
15	02136434	1	gasket
16	04152532	1	lever 125 KW
16.1	04152534	1	lever 150 KW / 176 KW
17	04191001	1	push-button B A11
18	01174192	1	screw
19	01174191	1	screw m 8 x 25 125 KW
20	01166111	1	oil seal
21	01216108	3	washer
22	01122477	1	nut m 8 p.1.25
23	04153128	1	cover
24	04153130	1	cover

ENGINE COVER WITH IDLER PULLEY

Fig.	P/n	QTY	Name
25	02238022	2	bushing
26	02238021	1	spring
27	02238081	1	shaft 125 KW
27.1	04150550	1	shaft 150 KW / 176 KW
28	02238083	1	washer
30	01115474	1	pin
31	01216123	3	washer
32	01216095	2	washer
33	01107818	2	ring
34	02238084	1	bushing
35	04158766	1	oil seal
36	01174194	1	screw
37	01174331	1	screw 150 KW / 176 KW
38	04152517	1	shim 150 KW / 176 KW
39	04150551	1	bushing 150 KW / 176 KW

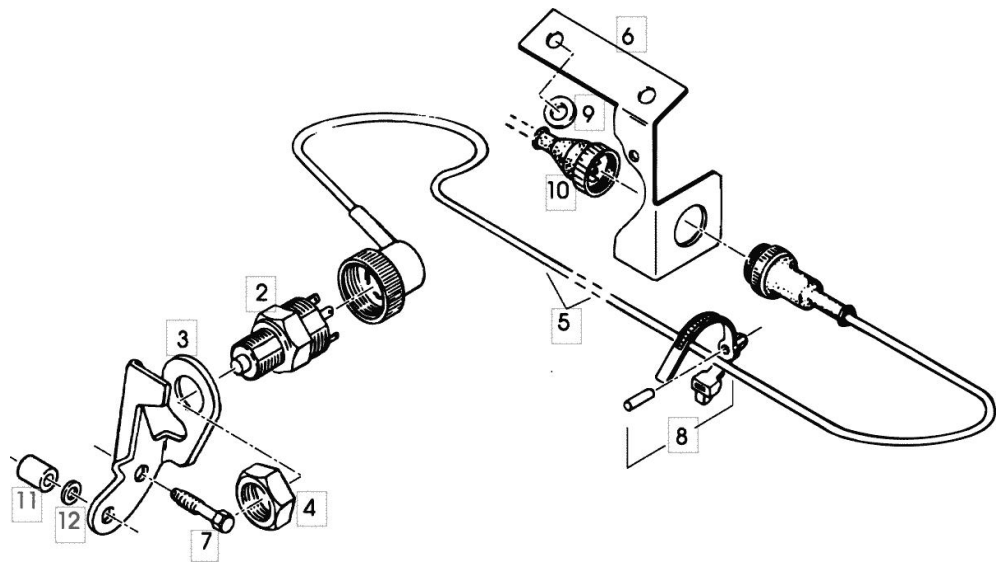


ENGINE STOP-SWITCH MOUNTING

Fig.	P/n	QTY	Name
------	-----	-----	------

Notes:
[TOPLINER 4065]

2	04191001	1	push-button
3	02245062	1	console 125 KW
3.1	02246590	1	console 150 KW / 176 KW
4	01101294	1	nut
5	02248490	1	tube
6	04154610	1	console
7	01171763	1	screw m 8 p.1.25 x 20
8	01172979	1	band
9	03382693	1	washer
10	02245054	1	socket
11	03357910	1	bushing 150 KW / 176 KW
12	03308204	3	disc 150 KW / 176 KW



Thank you so much for reading.
Please click the “Buy Now!”
button below to download the
complete manual.



After you pay.

You can download the most
perfect and complete manual in
the world immediately.

Our support email:

ebooklibonline@outlook.com