

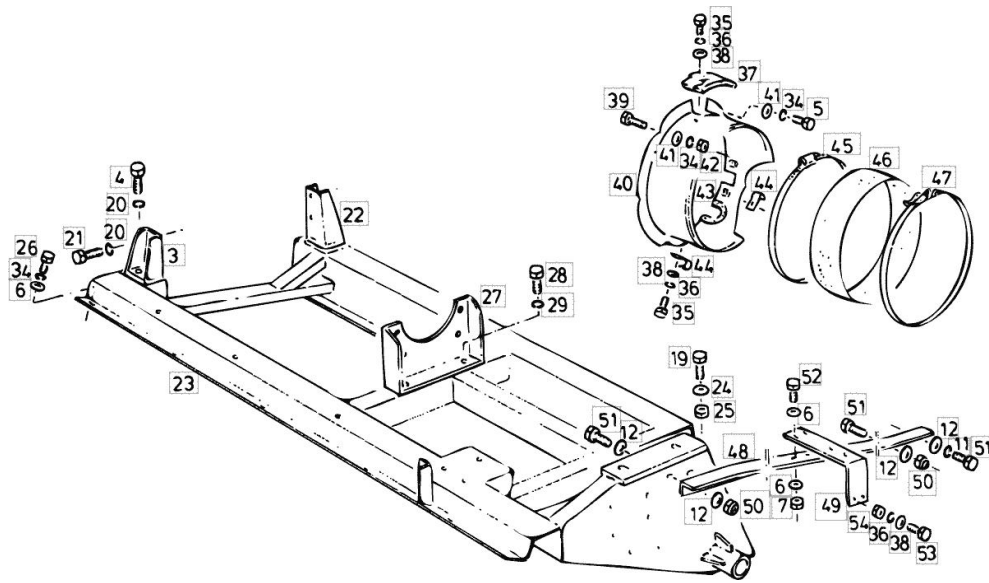
**ENGINE ASSEMBLY PARTS 150 KW / 205 HP 176 KW / 240 HP**

| Fig. | P/n | QTY | Name |
|------|-----|-----|------|
|------|-----|-----|------|

**Notes:**

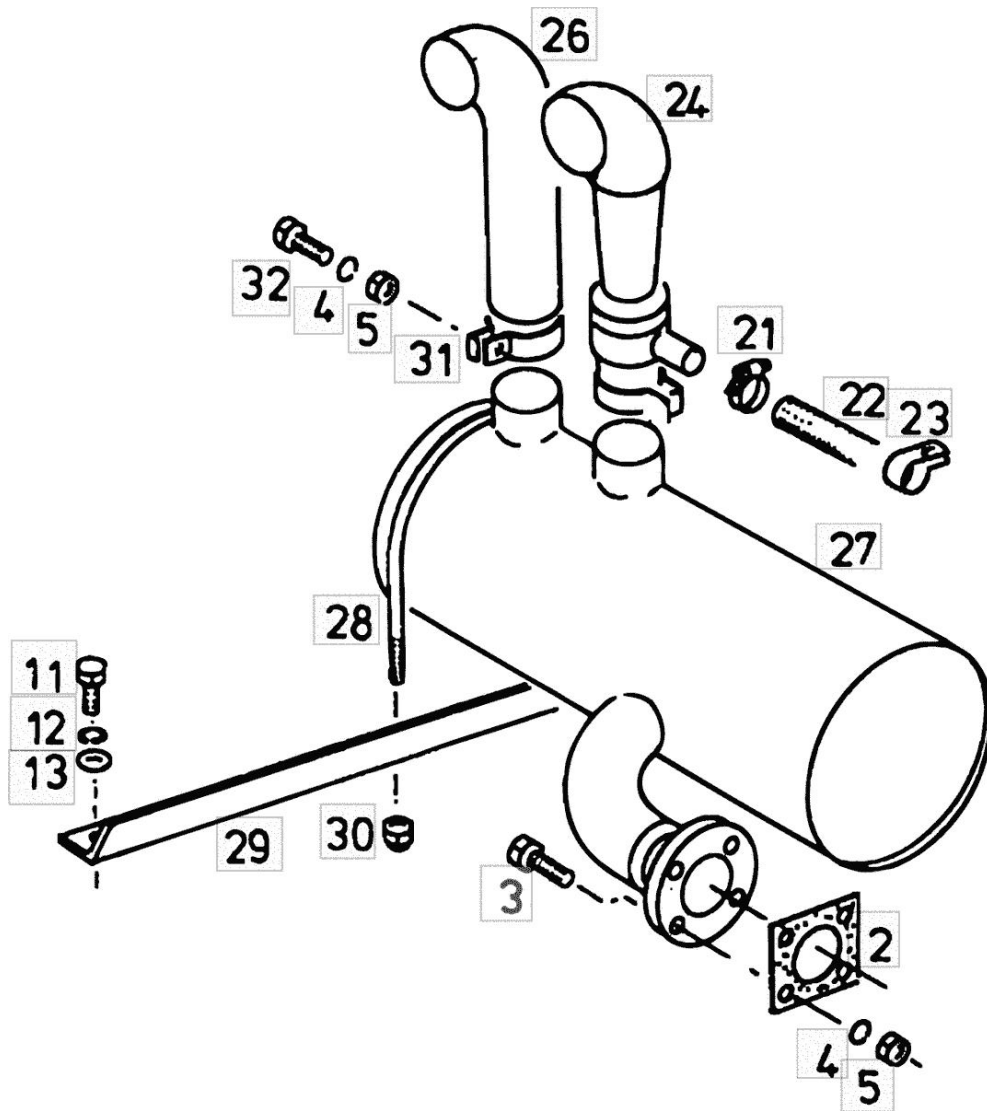
TYP 4065 150 KW/205 PS ----- TYP 4068 176 KW/240 PS

[TOPLINER 4068]



|    |          |    |                             |
|----|----------|----|-----------------------------|
| 3  | 16005430 | 1  | support                     |
| 4  | 01112547 | 4  | screw m 12 x 40, d933       |
| 5  | 01112307 | 5  | screw m 8 p.1.25 x 15, d933 |
| 6  | 01107163 |    | washer 9, d126              |
| 7  | 01104944 | 2  | nut m 8, d985               |
| 11 | 01102800 |    | washer 10.2                 |
| 12 | 01107165 |    | washer 10.5                 |
| 19 | 01112538 | 3  | screw m 12 x 35, d933       |
| 20 | 01102801 | 10 | washer 12                   |
| 21 | 01112554 | 4  | screw m 12 x 45             |
| 22 | 06254961 | 2  | bracket                     |
| 23 | 16005425 | 1  | chassis frame               |
| 24 | 06214206 | 5  | washer 13.2                 |
| 25 | 06209769 | 4  | nut m 12, d985              |
| 26 | 01112322 | 4  | screw m 8 p.1.25 x 20       |
| 27 | 06288037 | 1  | console                     |
| 28 | 01112661 | 2  | screw                       |
| 29 | 01127856 | 2  | nut m 16, d985              |
| 34 | 01102799 | 10 | washer 8, d128              |
| 35 | 01103316 | 5  | screw m 6 p.1.0 x 16        |
| 36 | 01102797 | 9  | washer 6, d128              |
| 37 | 06526626 | 1  | plate                       |
| 38 | 06214189 | 5  | washer 6.4                  |
| 39 | 01137744 | 1  | screw m 8 x 40              |
| 40 | 16005473 | 1  | ring<br>G 40,35-38          |
| 41 | 01138374 | 5  | washer 8,4x21x4             |
| 42 | 01112824 | 1  | nut m 8, d934               |
| 43 | 16005478 | 1  | plate                       |
| 44 | 06526624 | 3  | guide                       |
| 45 | 01137577 | 1  | fascia 360-380/13           |
| 46 | 16005437 | 1  | screw                       |
| 47 | 01145092 | 1  | fascia d365                 |
| 48 | 16005469 | 1  | support                     |
| 49 | 16005472 | 1  | square                      |
| 50 | 06209768 | 3  | nut m 10, d985              |
| 51 | 01112439 | 3  | screw m 10 x 35, d933       |
| 52 | 01112333 | 2  | screw m 8 x 25, d933        |
| 53 | 01112264 | 4  | screw m 6 x 20, d933        |
| 54 | 01112813 | 4  | nut m 6                     |

**ENGINE EXHAUST SYSTEM ASSEMBLY PARTS**



| Fig. | P/n | QTY | Name |
|------|-----|-----|------|
|------|-----|-----|------|

Notes:  
[TOPLINER 4068]

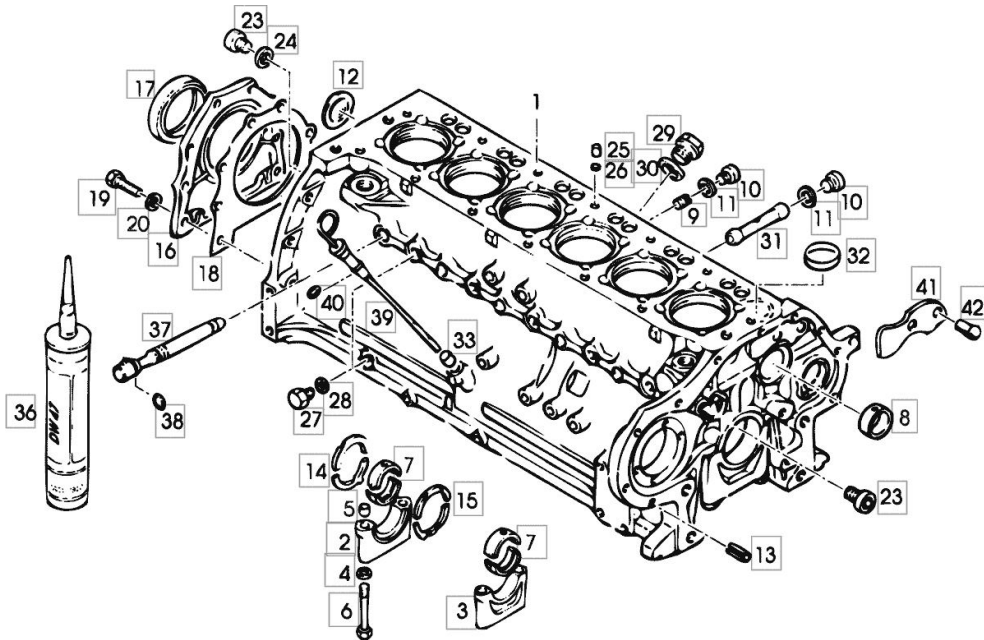
|      |          |   |                          |
|------|----------|---|--------------------------|
| 2    | 04157260 | 1 | gasket                   |
| 3    | 01112447 | 4 | screw m 10 x 40          |
| 4    | 01102800 | 5 | washer 10.2              |
| 5    | 01102659 | 5 | nut m 10, d934           |
| 11   | 01112429 | 2 | screw m 10 x 30, d933    |
| 12   | 01102800 | 2 | washer 10.2              |
| 13   | 01107165 | 2 | washer 10.5              |
| 17   | 06279395 | 2 | fascia                   |
| 18   | 01112333 | 2 | screw m 8 x 25, d933     |
| 19   | 01102799 | 2 | washer 8, d128           |
| 20   | 01112824 | 2 | nut m 8, d934            |
| 21   | 01173968 | 2 | clamp Ø 25/40            |
| 22   | 06530905 | 1 | tube                     |
| 23   | 04336881 | 4 | clamp Ø 38               |
| 24   | 06513395 | 1 | tube                     |
| 25   | 16010596 | 1 | pin                      |
| 26   | 16029496 | 1 | exhaust pipe<br>TYP 4068 |
| 26.1 | 16033836 | 1 | tube<br>TYP 4065         |
| 27   | 16022118 | 1 | silencer                 |
| 28   | 16022128 | 1 | u bolt m 8               |
| 29   | 16022127 | 1 | console                  |
| 30   | 01104944 | 2 | nut m 8, d985            |
| 31   | 01120895 | 1 | fascia Ø 75              |
| 32   | 01112447 | 2 | screw m 10 x 40          |

**ENGINE CRANKCASE 150 KW / 205 HP 176 KW / 240 HP**

| Fig. | P/n | QTY | Name |
|------|-----|-----|------|
|------|-----|-----|------|

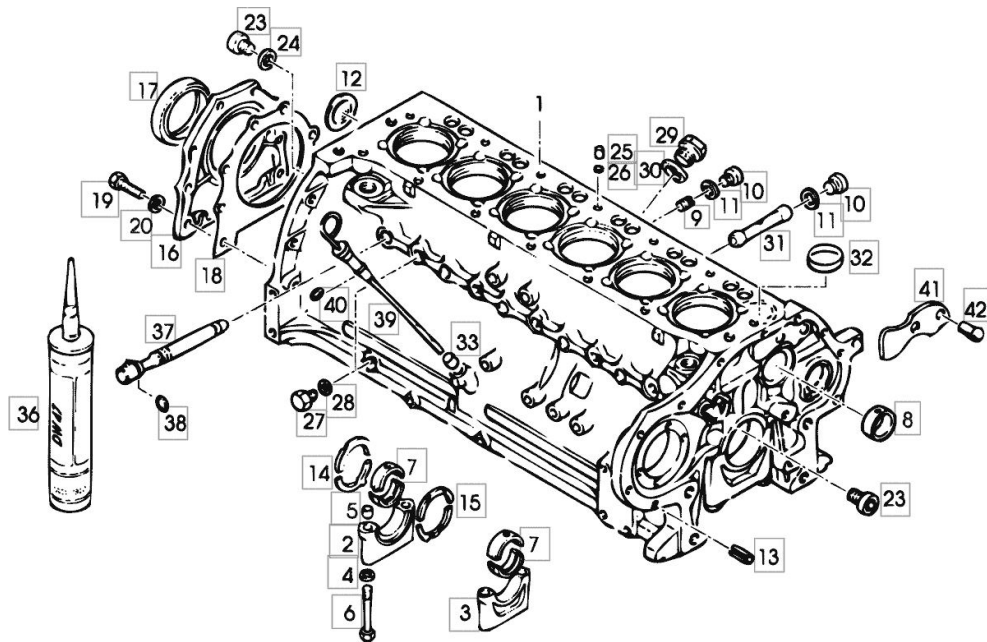
Notes:  
[TOPLINER 4068]

|      |          |    |  |
|------|----------|----|--|
| 1.1  | 04158915 | 1  | crankcase<br>G 2-6,9-13,23,24,27-30,36 |
| 2    | NL       |    | cannot be supplied                     |
| 3    | NL       |    | cannot be supplied                     |
| 4    | 01216107 | 14 | washer 15x23x1,5                       |
| 5    | 04160764 | 14 | bushing                                |
| 6    | 04156058 | 14 | screw                                  |
| 7    | 04231079 | 7  | half-bushing<br>D 75,00 MM             |
| 7.1  | 04231080 |    | bearing<br>D 74,75 MM                  |
| 7.2  | 04231081 |    | bearing<br>D 74,50 MM                  |
| 8    | 02139737 | 1  | bushing                                |
| 9    | 01215235 | 7  | plug                                   |
| 10   | 01110422 | 7  | screw                                  |
| 11   | 01118673 | 7  | oil seal                               |
| 12   | 01216240 | 1  | disc                                   |
| 13   | 01167266 | 2  | bush                                   |
| 14   | 04232790 | 1  | shim<br>2,94 MM                        |
| 14.1 | 04232792 |    | shim<br>3,14 MM                        |
| 15   | 04232791 | 1  | shim<br>2,94 MM                        |
| 15.1 | 04232793 |    | disc<br>3,14 MM                        |
| 16   | 02234870 | 1  | cover                                  |
| 17   | 04232267 | 1  | special oil seal                       |
| 18   | 03362337 | 1  | gasket                                 |
| 19   | 01112322 | 8  | screw m 8 p.1.25 x 20                  |
| 20   | 01107101 | 8  | washer 8.4                             |
| 23   | 04159934 | 2  | screw                                  |
| 24   | 04159935 | 2  | oil seal                               |
| 25   | NE       |    | plate                                  |
| 26   | NE       |    | plate                                  |
| 27   | 01118997 | 5  | screw cm10x1                           |
| 28   | 01118659 | 5  | oil seal                               |
| 29   | 01170580 | 1  | plug                                   |
| 30   | 01167010 | 1  | washer                                 |
| 31   | NE       |    | plate                                  |



**ENGINE CRANKCASE 150 KW / 205 HP 176 KW / 240 HP**

| Fig. | P/n      | QTY | Name                |
|------|----------|-----|---------------------|
| 32   | 01176197 | 1   | stop                |
| 33   | 01167269 | 1   | bush                |
| 36   | 01016120 |     | compound 1 kg       |
| 37   | 04231147 | 6   | injector assembly   |
| 38   | 01173838 | 6   | oil seal            |
| 39   | 01176376 | 1   | dipstick<br>G 39,40 |
| 40   | 01165975 | 1   | oil seal 5x2        |
| 41   | 04156862 | 1   | plate               |
| 42   | 01115333 | 2   | self tapping screw  |

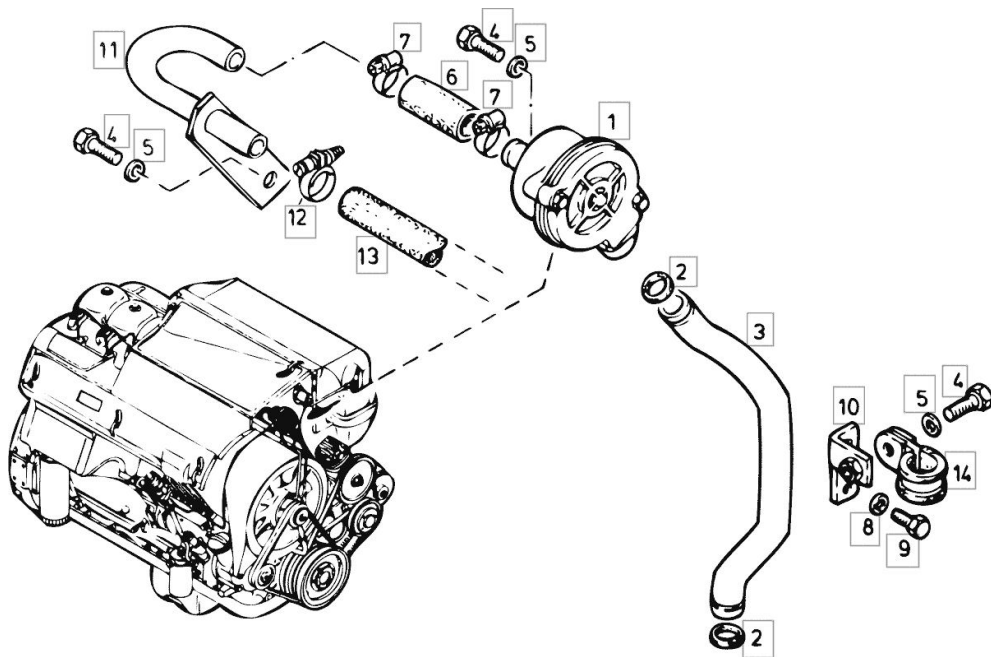


**ENGINE / CRANKCASE BREATHER 150 KW / 205 HP 176 KW / 240 HP**

| Fig. | P/n | QTY | Name |
|------|-----|-----|------|
|------|-----|-----|------|

Notes:  
[TOPLINER 4068]

|    |          |   |                        |
|----|----------|---|------------------------|
| 1  | 04231246 | 1 | screw                  |
| 2  | 01160480 | 2 | oil seal               |
| 3  | 04150574 | 1 | tube                   |
| 4  | 01112322 | 3 | screw m 8 p.1.25 x 20  |
| 5  | 01107101 | 3 | washer 8.4             |
| 6  | 01175625 | 1 | rubber sleeve 19X26X63 |
| 7  | 01173967 | 2 | stop 16-25             |
| 8  | 01107095 | 2 | washer 6.4             |
| 9  | 01112240 | 2 | screw m 6 x 12         |
| 10 | 04153826 | 1 | console                |
| 11 | 04153864 | 1 | tube                   |
| 12 | 01166366 | 2 | fascia                 |
| 13 | 01175626 | 1 | guard                  |
| 14 | 01173664 | 1 | fascia                 |



Section: ENGINE

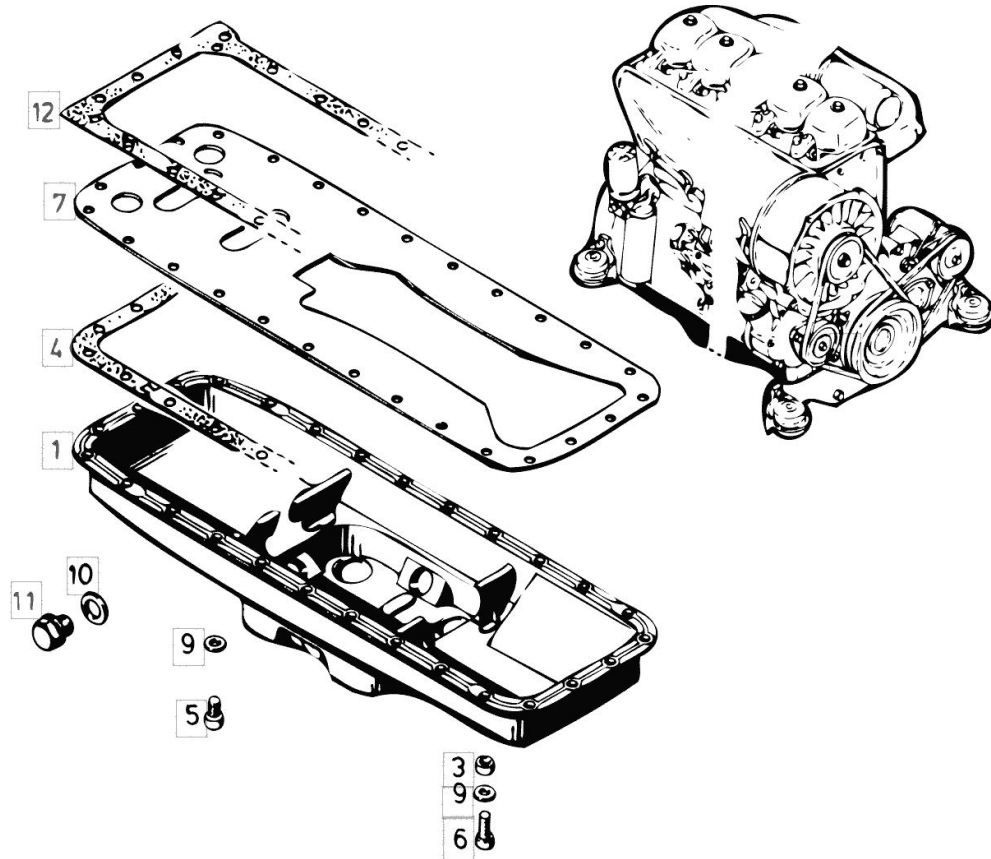
**ENGINE OIL PAN**

| Fig. | P/n | QTY | Name |
|------|-----|-----|------|
|------|-----|-----|------|

**Notes:**

[TOPLINER 4068]

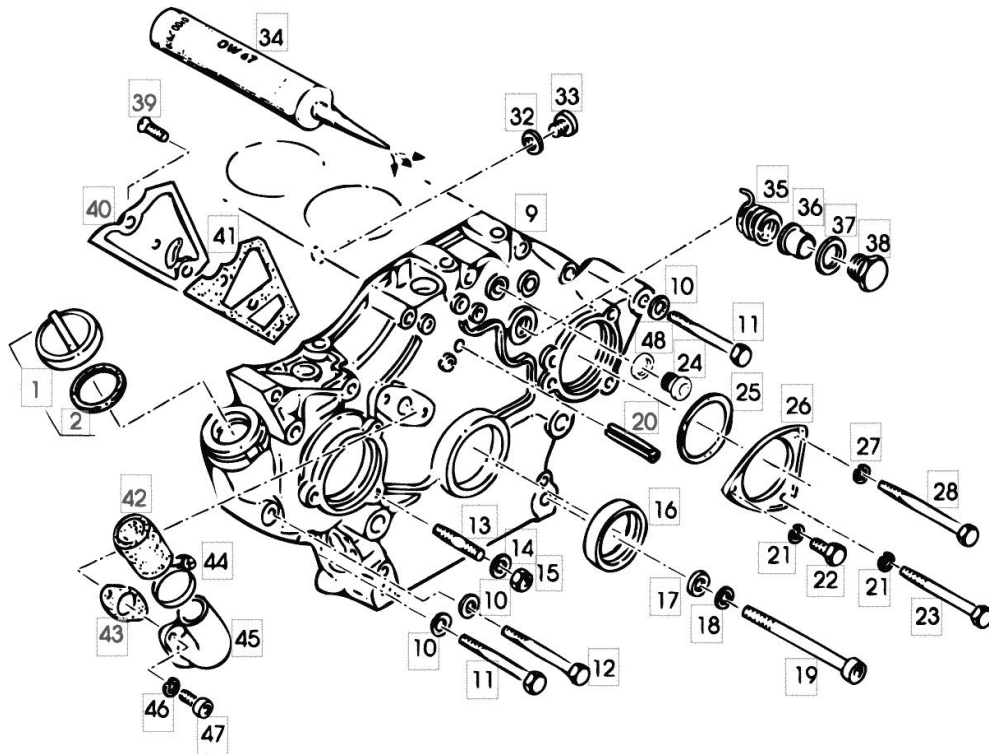
|    |          |    |                        |
|----|----------|----|------------------------|
| 1  | 02234521 | 1  | oil sump<br>125 KW     |
| 3  | 01216151 | 1  | bushing                |
| 4  | 04157240 | 1  | gasket                 |
| 5  | 01102193 | 26 | screw m 8 x 16         |
| 6  | 01110577 | 1  | screw m 8 x 25         |
| 7  | 04161492 | 1  | division               |
| 9  | 01107548 | 27 | washer 8.4             |
| 10 | 01118784 | 1  | oil seal 30x36x2 d7603 |
| 11 | 01220240 | 1  | screw                  |
| 12 | 03362581 | 1  | gasket                 |



**ENGINE FRONT COVER 150 KW / 205 HP 176 KW / 240 HP**

| Fig. | P/n | QTY | Name |
|------|-----|-----|------|
|------|-----|-----|------|

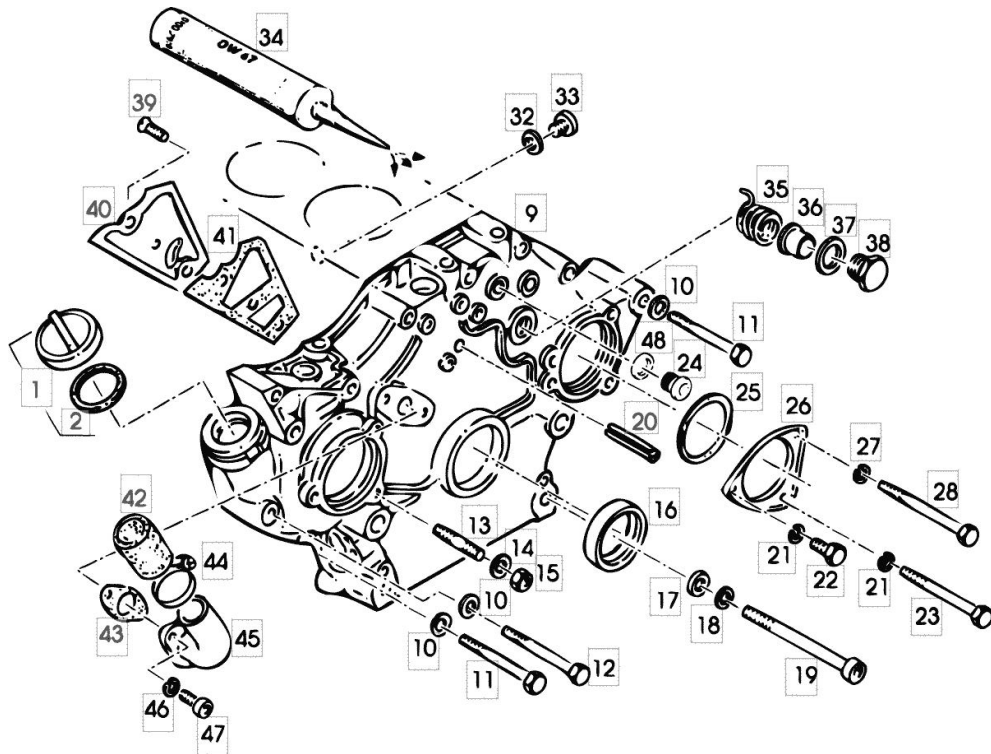
Notes:  
[TOPLINER 4068]



|    |          |    |                        |
|----|----------|----|------------------------|
| 1  | 01236291 | 1  | plug                   |
| 2  | 01236290 |    | oil seal               |
| 9  | 04158438 | 1  | cover                  |
| 10 | 01107101 | 5  | washer 8.4             |
| 11 | 01111179 | 3  | screw m 8 x 70, d931   |
| 12 | 01127046 | 1  | screw m 8 x 60         |
| 13 | 01174192 | 1  | screw                  |
| 14 | 01216108 | 2  | washer                 |
| 15 | 01122477 | 2  | nut m 8 p.1.25         |
| 16 | 04232266 | 1  | ring                   |
| 17 | 01107556 | 16 | washer                 |
| 18 | 01127679 | 4  | spring washer          |
| 19 | 01102281 | 4  | screw m14x100 d912     |
| 20 | 01115460 | 1  | pin                    |
| 21 | 01102799 | 2  | washer 8, d128         |
| 22 | 01112299 | 1  | screw m 8 x 12, d933   |
| 23 | 01122399 | 1  | screw                  |
| 24 | 01151441 | 1  | screw                  |
| 25 | 01166111 | 1  | oil seal               |
| 26 | 02238504 | 1  | cover                  |
| 27 | 01102800 | 1  | washer 10.2            |
| 28 | 01111336 | 1  | screw m 10 x 75        |
| 32 | 01118673 | 1  | oil seal               |
| 33 | 01110422 | 1  | screw                  |
| 34 | 01016120 |    | compound 1 kg          |
| 35 | 02237638 | 1  | spring<br>B A18        |
| 36 | 02135019 | 1  | tube<br>B A18          |
| 37 | 01118750 | 1  | oil seal<br>B A18      |
| 38 | 04230057 | 1  | screw<br>B A18         |
| 39 | 01137776 | 3  | screw                  |
| 40 | 02231500 | 1  | plate                  |
| 41 | 02230313 | 1  | gasket                 |
| 42 | 01175628 | 1  | rubber sleeve<br>B A40 |
| 43 | 01178417 | 1  | gasket<br>B A40        |
| 44 | 01173962 | 1  | clamp Ø 20/32          |

**ENGINE FRONT COVER 150 KW / 205 HP 176 KW / 240 HP**

| Fig. | P/n      | QTY | Name             |
|------|----------|-----|------------------|
| 45   | 04153420 | 1   | B A40<br>piping  |
| 46   | 01216121 | 2   | washer           |
| 47   | 01102195 | 2   | screw m8x22 d912 |
| 48   | 01118716 | 1   | oil seal 18 x 24 |

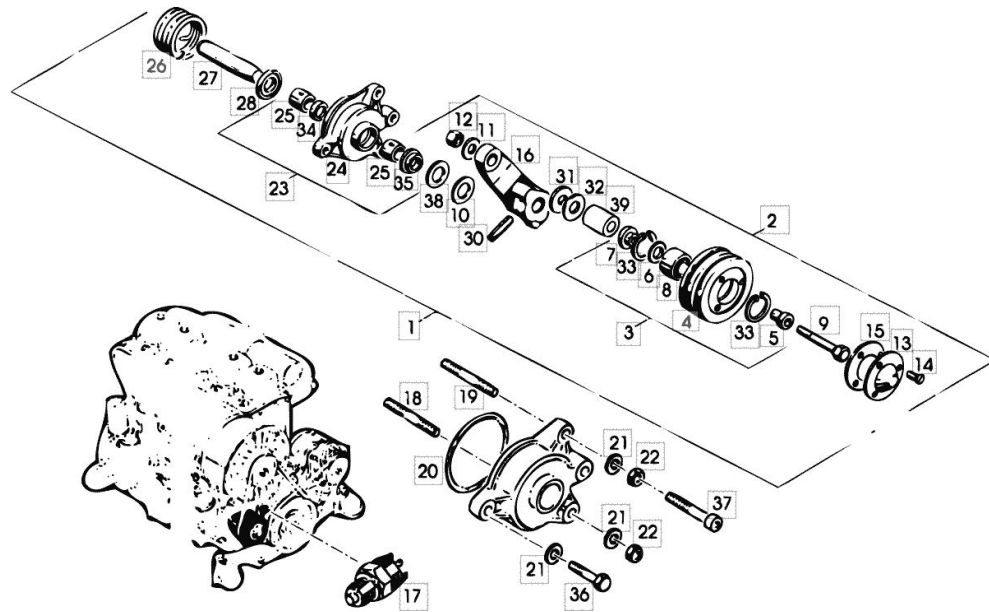




**ENGINE COVER WITH IDLER PULLEY**

| Fig. | P/n | QTY | Name |
|------|-----|-----|------|
|------|-----|-----|------|

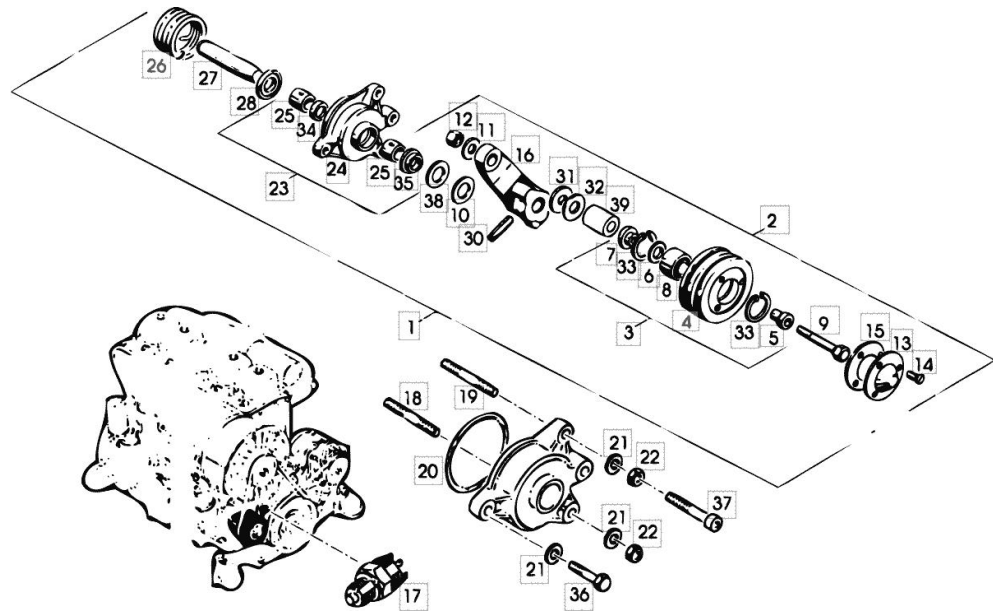
Notes:  
[TOPLINER 4068]



|      |          |   |                                    |
|------|----------|---|------------------------------------|
| 1    | 04152514 | 1 | tensioner<br>125 KW                |
| 1.1  | 04152516 | 1 | tensioner<br>150 KW / 176 KW       |
| 2    | 04152524 | 1 | pulley<br>125 KW                   |
| 2.1  | 04152526 | 1 | pulley<br>150 KW / 176 KW          |
| 3    | 02237959 | 1 | pulley                             |
| 4    | 02237846 | 1 | pulley                             |
| 5    | 02237849 | 1 | bush                               |
| 6    | 02237850 | 1 | washer                             |
| 7    | 02237848 | 1 | ring                               |
| 8    | 01171646 | 1 | ball bearing                       |
| 9    | 01111317 | 1 | screw m 10x60 d931<br>125 KW       |
| 9.1  | 01111339 | 1 | screw m 10 x 80<br>150 KW / 176 KW |
| 10   | 04150578 | 1 | shim<br>125 KW                     |
| 10.1 | 04152509 | 1 | shim<br>150 KW / 176 KW            |
| 11   | 01107105 | 1 | washer 10.5                        |
| 12   | 01102659 | 1 | nut m 10, d934                     |
| 13   | 02237847 | 1 | cover                              |
| 14   | 01136951 | 3 | screw                              |
| 15   | 02136434 | 1 | gasket                             |
| 16   | 04152532 | 1 | lever<br>125 KW                    |
| 16.1 | 04152534 | 1 | lever<br>150 KW / 176 KW           |
| 17   | 04191001 | 1 | push-button<br>B A11               |
| 18   | 01174192 | 1 | screw                              |
| 19   | 01174191 | 1 | screw m 8 x 25<br>125 KW           |
| 20   | 01166111 | 1 | oil seal                           |
| 21   | 01216108 | 3 | washer                             |
| 22   | 01122477 | 1 | nut m 8 p.1.25                     |
| 23   | 04153128 | 1 | cover                              |
| 24   | 04153130 | 1 | cover                              |

**ENGINE COVER WITH IDLER PULLEY**

| Fig. | P/n      | QTY | Name                       |
|------|----------|-----|----------------------------|
| 25   | 02238022 | 2   | bushing                    |
| 26   | 02238021 | 1   | spring                     |
| 27   | 02238081 | 1   | shaft<br>125 KW            |
| 27.1 | 04150550 | 1   | shaft<br>150 KW / 176 KW   |
| 28   | 02238083 | 1   | washer                     |
| 30   | 01115474 | 1   | pin                        |
| 31   | 01216123 | 3   | washer                     |
| 32   | 01216095 | 2   | washer                     |
| 33   | 01107818 | 2   | ring                       |
| 34   | 02238084 | 1   | bushing                    |
| 35   | 04158766 | 1   | oil seal                   |
| 36   | 01174194 | 1   | screw                      |
| 37   | 01174331 | 1   | screw<br>150 KW / 176 KW   |
| 38   | 04152517 | 1   | shim<br>150 KW / 176 KW    |
| 39   | 04150551 | 1   | bushing<br>150 KW / 176 KW |

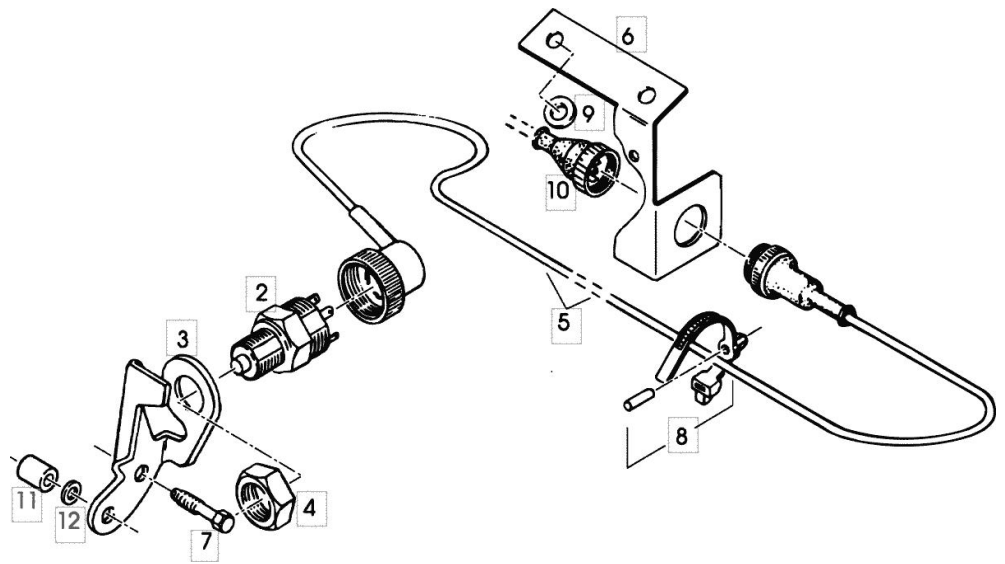


**ENGINE STOP-SWITCH MOUNTING**

| Fig. | P/n | QTY | Name |
|------|-----|-----|------|
|------|-----|-----|------|

Notes:  
[TOPLINER 4068]

|     |          |   |                            |
|-----|----------|---|----------------------------|
| 2   | 04191001 | 1 | push-button                |
| 3   | 02245062 | 1 | console<br>125 KW          |
| 3.1 | 02246590 | 1 | console<br>150 KW / 176 KW |
| 4   | 01101294 | 1 | nut                        |
| 5   | 02248490 | 1 | tube                       |
| 6   | 04154610 | 1 | console                    |
| 7   | 01171763 | 1 | screw m 8 p.1.25 x 20      |
| 8   | 01172979 | 1 | band                       |
| 9   | 03382693 | 1 | washer                     |
| 10  | 02245054 | 1 | socket                     |
| 11  | 03357910 | 1 | bushing<br>150 KW / 176 KW |
| 12  | 03308204 | 3 | disc<br>150 KW / 176 KW    |



Thank you so much for reading.  
Please click the “Buy Now!”  
button below to download the  
complete manual.



After you pay.

You can download the most  
perfect and complete manual in  
the world immediately.

Our support email:

[ebooklibonline@outlook.com](mailto:ebooklibonline@outlook.com)