

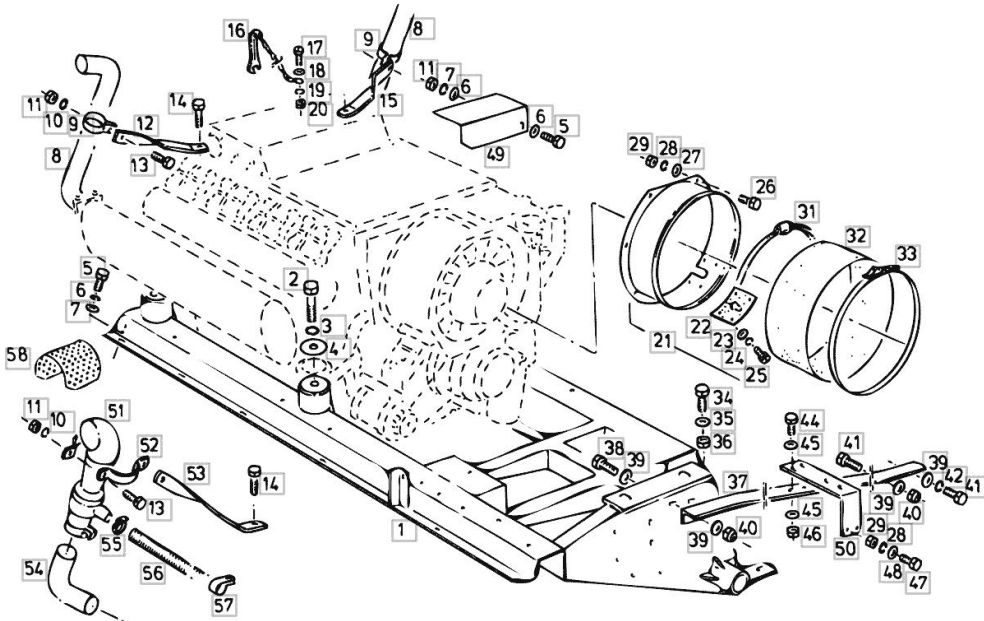
Section: ENGINE

ENGINE ASSEMBLY PARTS F/BF 8L 513

Fig.	P/n	QTY	Name
------	-----	-----	------

Notes:

TYP 4080 202 KW / 275 PS TYP 4090 225 KW / 310 PS ----- [TOPLINER 4090]



1	16002958	1	chassis frame
2	01101543	4	screw m 16 x 110
3	01102803	4	washer 16
4	06255867	5	washer
5	01112322	13	screw m 8 p.1.25 x 20
6	01102799	13	washer 8, d128
7	06214248	16	washer 9.2
8	16002967		exhaust pipe
9	01120890		- 9125 / TYP 4080 fascia 65,5 d71555 - 9125 / TYP 4080
10	01102799	2	washer 8, d128
11	01112824	5	nut m 8, d934
12	NE		plate NOT INSTALLED
13	01112333	2	screw m 8 x 25, d933
14	01112356	2	screw m 8 x 40
15	16003443	1	carrier - 9125 / TYP 4080
16	06331435	1	key
17	01105526	1	screw am 5x16 d84
18	06214189	1	washer 6.4
19	01102796	1	ring 5
20	01112803	1	nut m 5, d934
21	16005457	1	ring
22	16005464	1	plate
23	06214189	4	washer 6.4
24	01102797	4	washer 6, d128
25	01112240	4	screw m 6 x 12
26	01112307	5	screw m 8 p.1.25 x 15, d933
27	01107163	5	washer 9, d126
28	01102799	7	washer 8, d128
29	01112824	7	nut m 8, d934
31	06216478	1	bracket
32	16005429	1	screw
33	01145091	1	fascia
34	01112538	4	screw m 12 x 35, d933
35	06214206	8	washer 13.2
36	06209769	4	nut m 12, d985
37	16003305	1	square
38	01112429	2	screw m 10 x 30, d933

ENGINE ASSEMBLY PARTS F/BF 8L 513

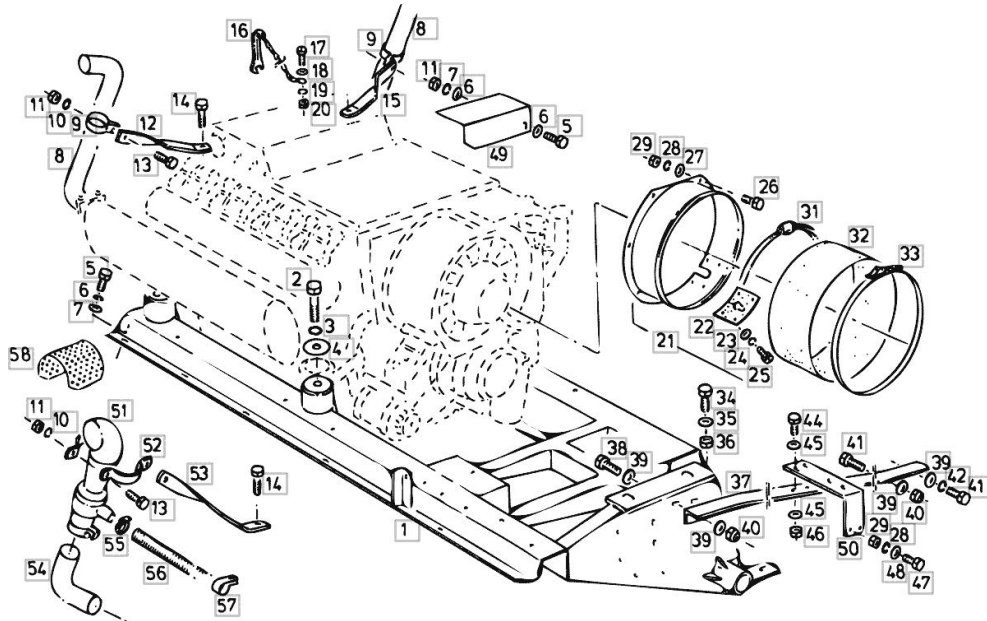


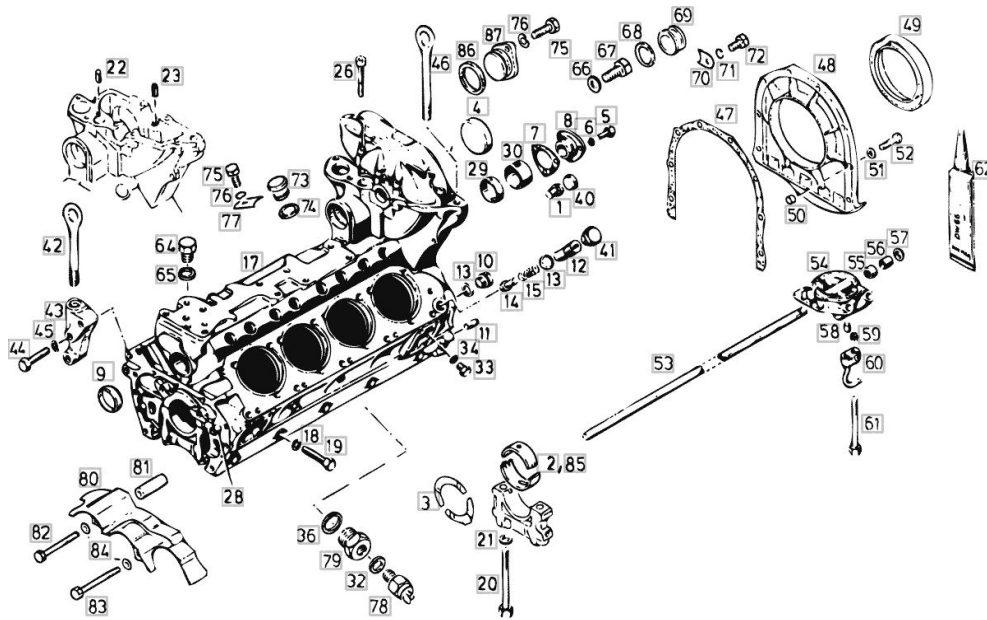
Fig.	P/n	QTY	Name
39	01107165	7	washer 10.5
40	06209768	3	nut m 10, d985
41	01112439	2	screw m 10 x 35, d933
42	01102800	1	washer 10.2
43	16003374	1	square
44	01112333	2	screw m 8 x 25, d933
45	06214246	4	washer 9.0 x 18 x 2.0
46	01104944	2	nut m 8, d985
47	01112264	2	screw m 6 x 20, d933
48	06214246	4	washer 9.0 x 18 x 2.0
49	16006924	1	guard
50	16003374	1	square
51	06524795	1	ejector - 9125 / TYP 4080 + 9126 / B A98
51.1	16010640	1	ejector TYP 4090 / B A99
52	06279395	2	fascia - 9125 / TYP 4080
53	16010599	1	brace - 9125 / TYP 4080
54	16010597	1	exhaust pipe - 9125 / TYP 4080
55	01173968	2	clamp Ø 25/40 - 9125 / TYP 4080
56	16012722	1	tube - 9125 / TYP 4080
57	04336881	3	clamp Ø 38 - 9125 / TYP 4080
58	16014631	1	guard - 9125 / TYP 4080

Section: ENGINE

ENGINE CRANKCASE F/BF 8L 513

Fig.	P/n	QTY	Name
------	-----	-----	------

Notes:
[TOPLINER 4090]



1	02420672	1	plug
2	04180681	4	main bearing 95,00 MM
2.1	04180682		main bearing 94,75 MM
2.2	04180683		main bearing 94,50 MM
2.3	04180684		main bearing 94,25 MM
2.4	04180685		main bearing 94,00 MM
2.5	04180686		main bearing 93,75 MM
2.6	04180687		main bearing 93,50 MM
3	02422297	2	shim 95,00 MM
3.1	02422298		shim 94,75 MM
3.2	02422299		shim 94,50 MM
3.3	02422300		shim 94,25 MM
3.4	02422301		shim 94,00 MM
3.5	02422302		shim 93,75 MM
3.6	02422303		shim 93,50 MM
4	04186447	1	cover
5	01112322	3	screw m 8 p.1.25 x 20
6	01118654	3	oil seal 8x14 d7603
7	02192080	1	gasket
8	02192079	1	cover
9	02403129	1	cover
10	01216200	1	screw
11	01102854	2	cylindrical plug 14x28 d7
12	02425190	1	register
13	01118784	2	oil seal 30x36x2 d7603
14	02403032	1	piston
15	02403033	1	spring

ENGINE CRANKCASE F/BF 8L 513

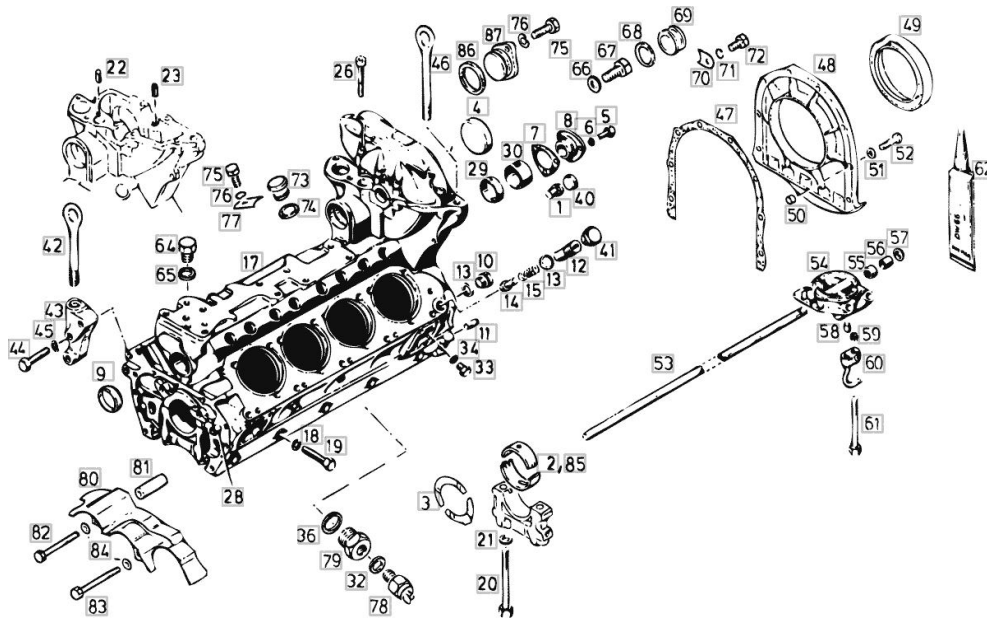


Fig.	P/n	QTY	Name
17	02426821	1	crankcase G 17,18-23,26,28-30,36,62
18	02403108	10	washer
19	01112633	10	screw
20	01102166	10	screw
21	02408062	10	washer
22	01105127	1	cylindrical plug
23	01115463	24	pin
26	01137112	6	screw
28	02404724	1	tube
29	02192071	4	bushing
30	02192072	1	bushing
32	01118659	4	oil seal
33	01137743		plug m 14 p.1.5
34	01118693		gasket 14x20
36	01118718		ring 18 x 24
40	01165832	1	stop
41	02416414	1	nut
42	02417146	1	screw 485 MM
43	02131352	1	connection
44	01124837	3	screw m12x50 d933
45	01107289	3	spring washer b12 d137
46	02417150	1	screw 345 MM
47	04182569	1	gasket
48	02413922	1	cover
49	02421820	1	special oil seal
50	03361375	2	bushing
51	01118654	8	oil seal 8x14 d7603
52	01112336	8	screw m8x28 d933
53	04189355	1	pipng F 8L 513
53.1	02420673	1	pipng BF 8L 513
54	02424134	4	tappets
55	03361337	1	sleeve
56	04189288	1	rubber ring F 8L 513
56.1	02425124	1	ring BF 8L 513
57	03361455	1	plate
58	03361348	8	valve
59	03361749	8	bushing

ENGINE CRANKCASE F/BF 8L 513

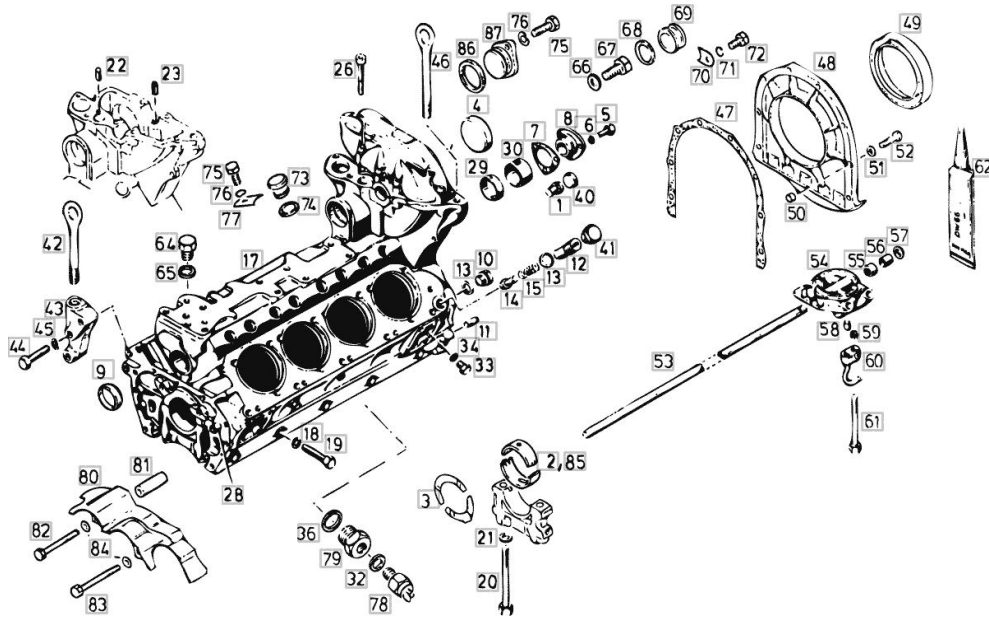


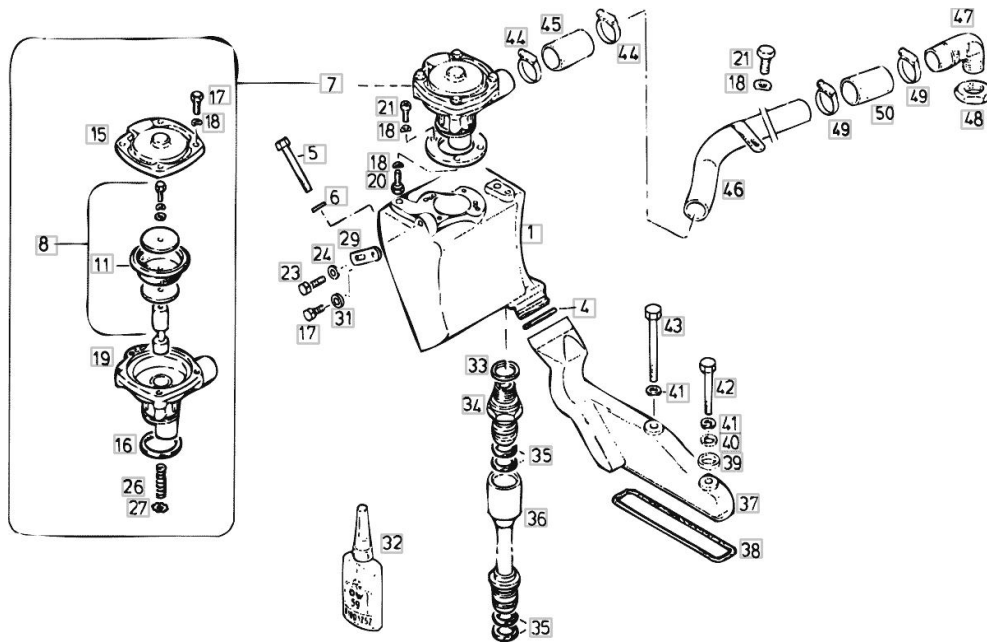
Fig.	P/n	QTY	Name
60	04187396	8	sprayer nozzle F 8L 513
60.1	04186549	8	sprayer nozzle BF 8L 513
61	01137522	12	screw
62	01091503		gasket dw66
62.1	01008337		gasket
64	01118997	1	screw cm10x1
65	01118659	1	oil seal
66	01118669	1	ring
67	01112418	1	screw m 10 x 25, d933
68	01161973	1	oil seal 10X3
69	02404531	1	tube
70	02404597	1	console
71	01126726	1	spring disc b6 d137
72	01112264	1	screw m 6 x 20, d933
73	02414527	1	plug
74	01164493	1	ring 16x3
75	01112307		screw m 8 p.1.25 x 15, d933
76	01107283		washer 8.2
77	02414528	1	console
78	01181557	1	switch
79	02406367	1	vent
80	02420997	1	division
81	02417579	1	bush
82	01104580	1	screw
83	01101588	1	screw
84	02417519	1	washer
85	04183600		main bearing 95,00/101,50 MM
86	01166028	1	oil seal 22x3 BF 8L 513
87	02143462	1	stop BF 8L 513
851	04183601		main bearing 94,75/101,50 MM
852	04183602		main bearing 94,50/101,50 MM
853	04183603		main bearing 94,25/101,50 MM

Section: ENGINE

ENGINE BREATHER F/BF 8L 513

Fig.	P/n	QTY	Name
------	-----	-----	------

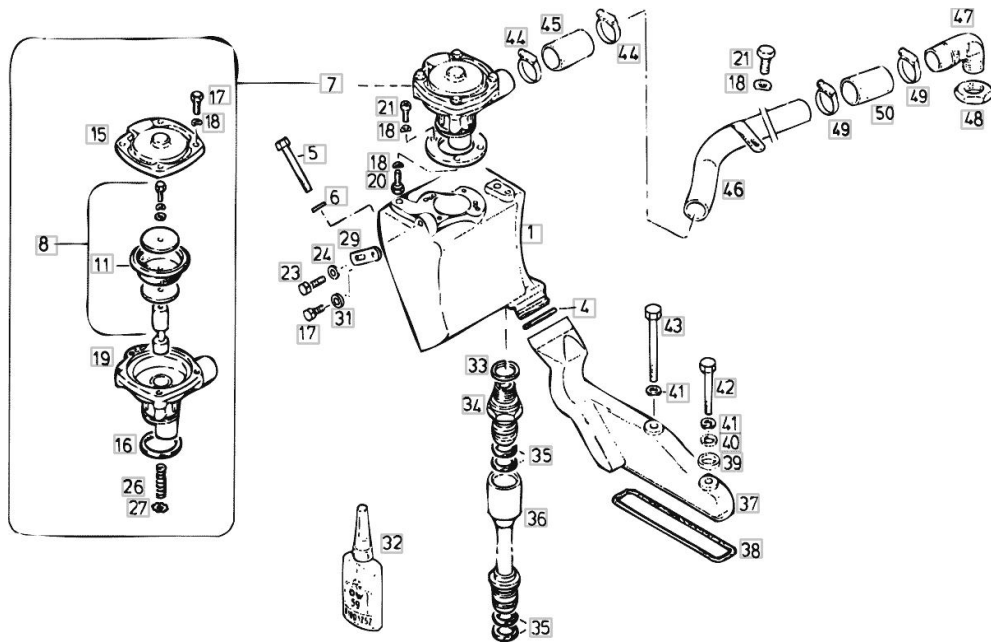
Notes:
[TOPLINER 4090]



1	02420921	1	oil
4	01176031	1	oil seal 48x3
5	01111193	2	screw m 8 p.1.25 x 80
6	01214459	2	washer 8,5x20x5
7	04180030	1	body
			G 8,15-19,26,27
8	02418444		insert
11	02423425	1	diaphragm
15	02413390	1	cover
16	01166075	1	oil seal 45x4,5
17	01112264	5	screw m 6 x 20, d933
18	01126726	9	spring disc b6 d137
19	04180031	1	body
20	01104181	2	screw m6x16 d912
21	01112258	3	screw m 6x18 d933
23	01112336	1	screw m8x28 d933
24	01107101	1	washer 8.4
26	02419343	1	spring
27	01174995	1	ring
28	04185234	1	plate
29	02426769	1	console
31	01214957	1	washer
32	01001252		loctite
33	01118688	1	ring 14x17
34	02420936	1	coupling
35	01165996	4	oil seal 12x3
36	02420978	1	piping
37	02420852	1	sleeve
38	04185032	1	gasket
39	02411519	2	gasket
40	01169577	2	oil seal 8x3 sil
41	01107283	2	washer 8.2
42	01112364	1	screw m 8 x 55, d933
43	01111200	1	screw m8x90 d931
44	01173968	2	clamp Ø 25/40
45	01179806	1	rubber sleeve
46	02426011	1	tube
			TYP 4080
46.1	16012584	1	tube
			TYP 4090 / B A98
47	02420965	1	vent

ENGINE BREATHER F/BF 8L 513

Fig.	P/n	QTY	Name
			TYP 4080
48	01127818	1	nut
			TYP 4080
49	01173968	2	clamp Ø 25/40
			TYP 4080
50	01179806	1	rubber sleeve
			TYP 4080



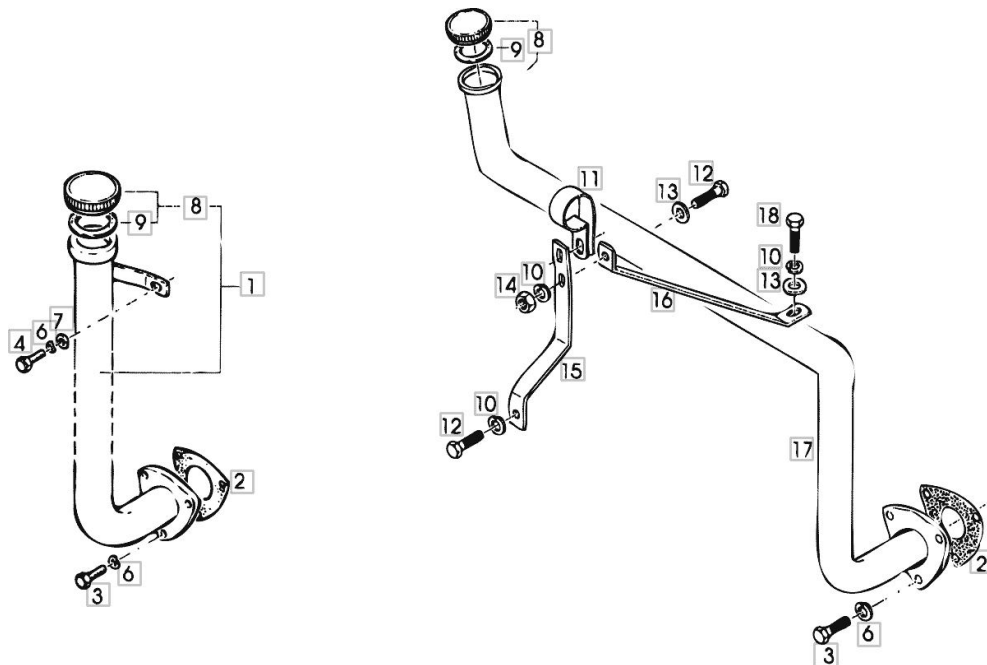
Section: ENGINE

ENGINE OIL FILLER F/BF 8L 513

Fig.	P/n	QTY	Name
------	-----	-----	------

Notes:
[TOPLINER 4090]

1	02427633	1	vent TYP 4080
2	02425131	1	gasket
3	01112333	3	screw m 8 x 25, d933
4	01112322	1	screw m 8 p.1.25 x 20
6	01107283	4	washer 8.2
7	01107101	1	washer 8.4
8	01211794	1	cover
9	01216293	1	oil seal
10	01102799	3	washer 8, d128 TYP 4090
11	04336881	1	clamp Ø 38 TYP 4090
12	01112322	2	screw m 8 p.1.25 x 20 TYP 4090
13	01214459	1	washer 8,5x20x5 TYP 4090
14	01104944	2	nut m 8, d985 TYP 4090
15	16014275	1	carrier TYP 4090
16	16014272	1	carrier TYP 4090
17	16014267	1	tube TYP 4090
18	01112356	1	screw m 8 x 40 TYP 4090



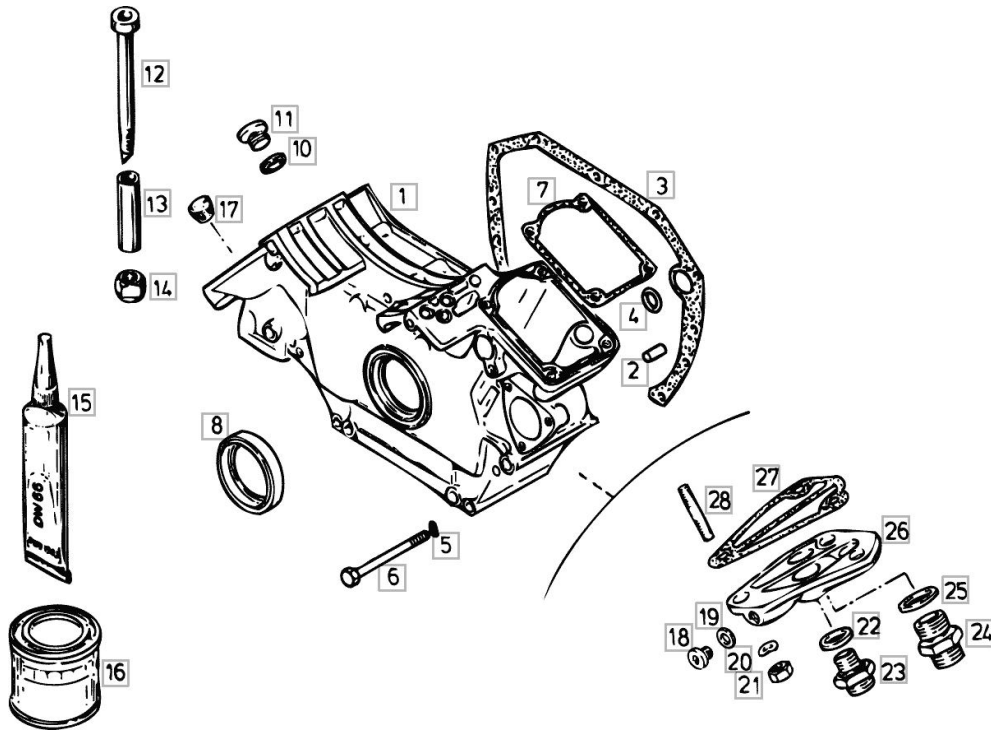
Section: ENGINE

ENGINE CARRIER F/BF 8L 513

Fig.	P/n	QTY	Name
------	-----	-----	------

Notes:
[TOPLINER 4090]

1	02420995	1	support
2	01105180	2	cylindrical plug 10x20 d7
3	03361393	1	gasket
4	01166045	1	ring 30x4
5	01107283	9	washer 8.2
6	01111211	9	screw
7	03361699	1	gasket
8	02421819	1	special oil seal
10	01118693	1	gasket 14x20
11	01137743	1	plug m 14 p.1.5
12	02417632	1	pin
13	02418242	1	spacer
14	01136452	1	nut vm 8 d980
15	01091503		gasket dw66 X 8
16	01098024		oil s5
17	01161978	2	bottom
18	01137743		plug m 14 p.1.5
19	01118688		ring 14x17
20	01107286	3	spring washer b10 d137
21	01102659	3	nut m 10, d934
22	01118764	1	ring 26.5
23	01116693	1	vent ge 22 lm
24	01100744	1	vent
25	01118801	1	oil seal
26	04147016	1	connection
27	02418094	1	gasket
28	01110242	3	screw



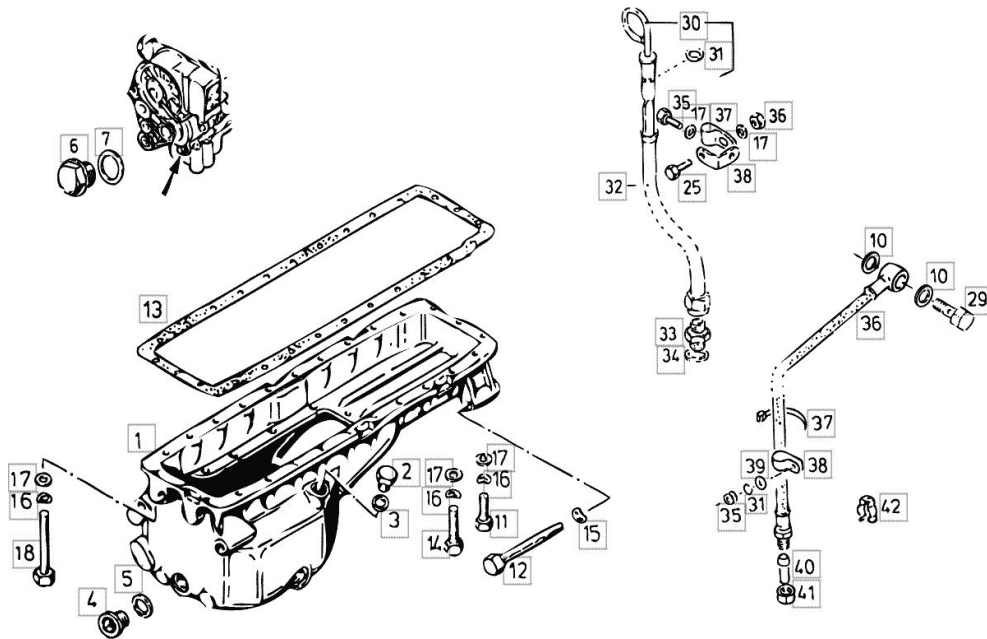
Section: ENGINE

ENGINE OIL PAN BF 8L 513

Fig.	P/n	QTY	Name
------	-----	-----	------

Notes:
[TOPLINER 4090]

1	02411143	1	oil sump
2	01137743	1	plug m 14 p.1.5
3	01118688	1	ring 14x17
4	01103686	4	screw m 30 p.1
5	01118784	4	oil seal 30x36x2 d7603
6	02407359	1	screw
7	01118804	1	oil seal
10	01118784	2	oil seal 30x36x2 d7603
11	01112336	12	screw m8x28 d933
12	01111576	2	screw m 12 x 120, d931
13	02131577	1	gasket
14	01124457	12	screw m 8 x 45
15	01107289	2	spring washer b12 d137
16	01107283	26	washer 8.2
17	01107101	28	washer 8.4
18	01122399	2	screw
29	01139203	1	pipe union m 30 x 1,5
30	01177297	1	dipstick
31	01165973	1	ring 5x1,5
32	04180780	1	tube
33	02409121	1	vent
34	01118693	1	gasket 14x20
35	01112322	2	screw m 8 p.1.25 x 20
36	01112824	1	nut m 8, d934
37	02405859	1	fascia
38	02421617	1	filter casing
39	16020988	1	tube
40	06216480	6	clamp 4,8 x 360
41	06216406	2	clamp 27 x 20 ne
42	06214189	4	washer 6.4
43	01102797	2	washer 6, d128
44	01112813	2	nut m 6
45	01179135	1	plug L 18-V1
46	01127347	1	nut CL 18
47	16022166	1	brace

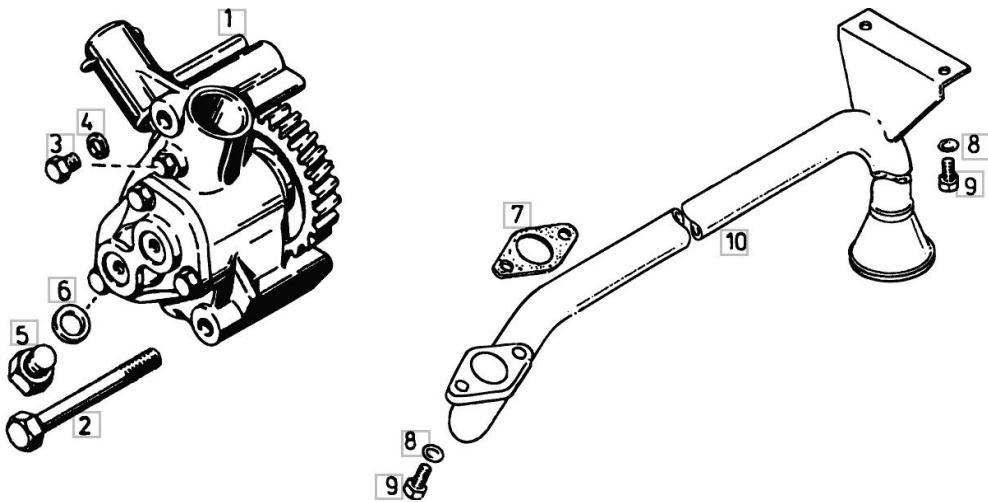


ENGINE LUBE OIL PUMP F/BF 8L 513

Fig.	P/n	QTY	Name
------	-----	-----	------

Notes:
[TOPLINER 4090]

1	04143644	1	oil pump F 8L 513
1.1	04143645	1	oil pump BF 8L 513
2	01103941	2	screw
3	01118995	1	screw
4	01118647	1	oil seal 8x11,5 d7603
5	01118964	1	plug m 16 p.1.5
6	01118700	1	oil seal Ø 16 x 20
7	01101797	1	gasket
8	01107283		washer 8.2
9	01112326		screw m 8 x 22
10	02411232	1	tube F 8L 513
10.1	02410365	1	pipng BF 8L 513



Thank you so much for reading.
Please click the “Buy Now!”
button below to download the
complete manual.



After you pay.

You can download the most
perfect and complete manual in
the world immediately.

Our support email:

ebooklibonline@outlook.com