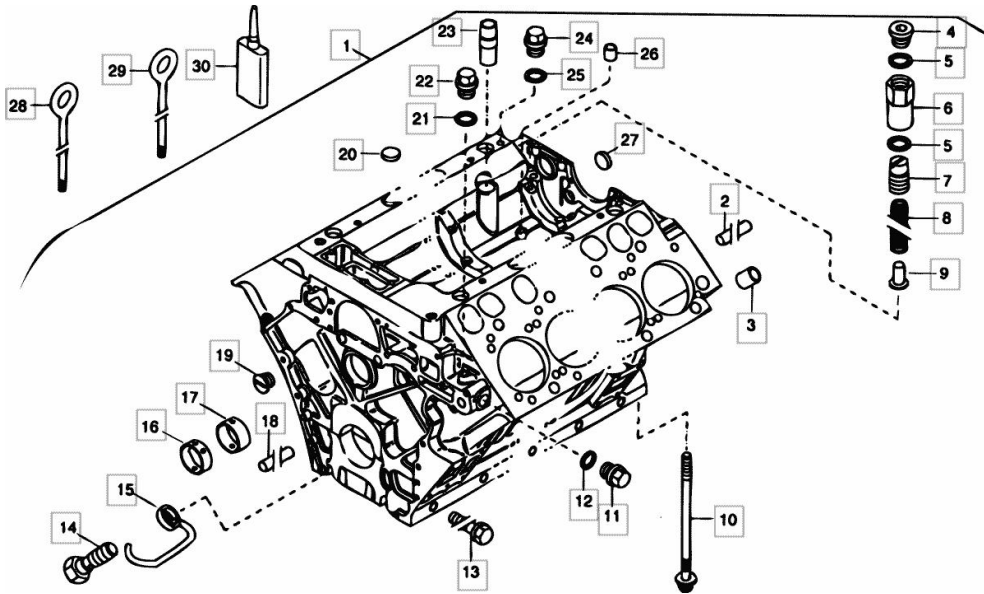


Section: ENGINE
ENGINE BEARING

Fig.	P/n	QTY	Name
------	-----	-----	------

Notes:
 [TOPLINER 8XL]

1	04223993	1	crankcase
2	01102854	2	cylindrical plug 14x28 d7
3	04200078	12	bushing
4	01110428	1	screw m 0x1,5
5	01118784	2	oil seal 30x36x2 d7603
6	04220332	1	casing
7	04220330	1	register
8	02403033	1	spring
9	04223046	1	piston
10	04220272	8	screw
11	01110441	1	screw m 24 x 1,5
12	01118748	1	oil seal
13	04220150	8	screw
14	04225409	6	valve
15	04224685	6	nozzle
16	04220156	4	bushing
17	04220155	1	bushing
18	01105180	2	cylindrical plug 10x20 d7
19	01165790	4	plug m 22 x 1,5
20	01148031		plug
21	01118688	1	ring 14x17
22	01133632	1	screw
23	04220319	1	tube
24	01123689	6	screw m16x1,5
25	01118700	6	oil seal Ø 16 x 20
26	01179387		plug
27	01139622	2	cover 25 d443
28	04221758	1	pin
29	02417150	1	screw
30	01016127		sealing compound ml. 50



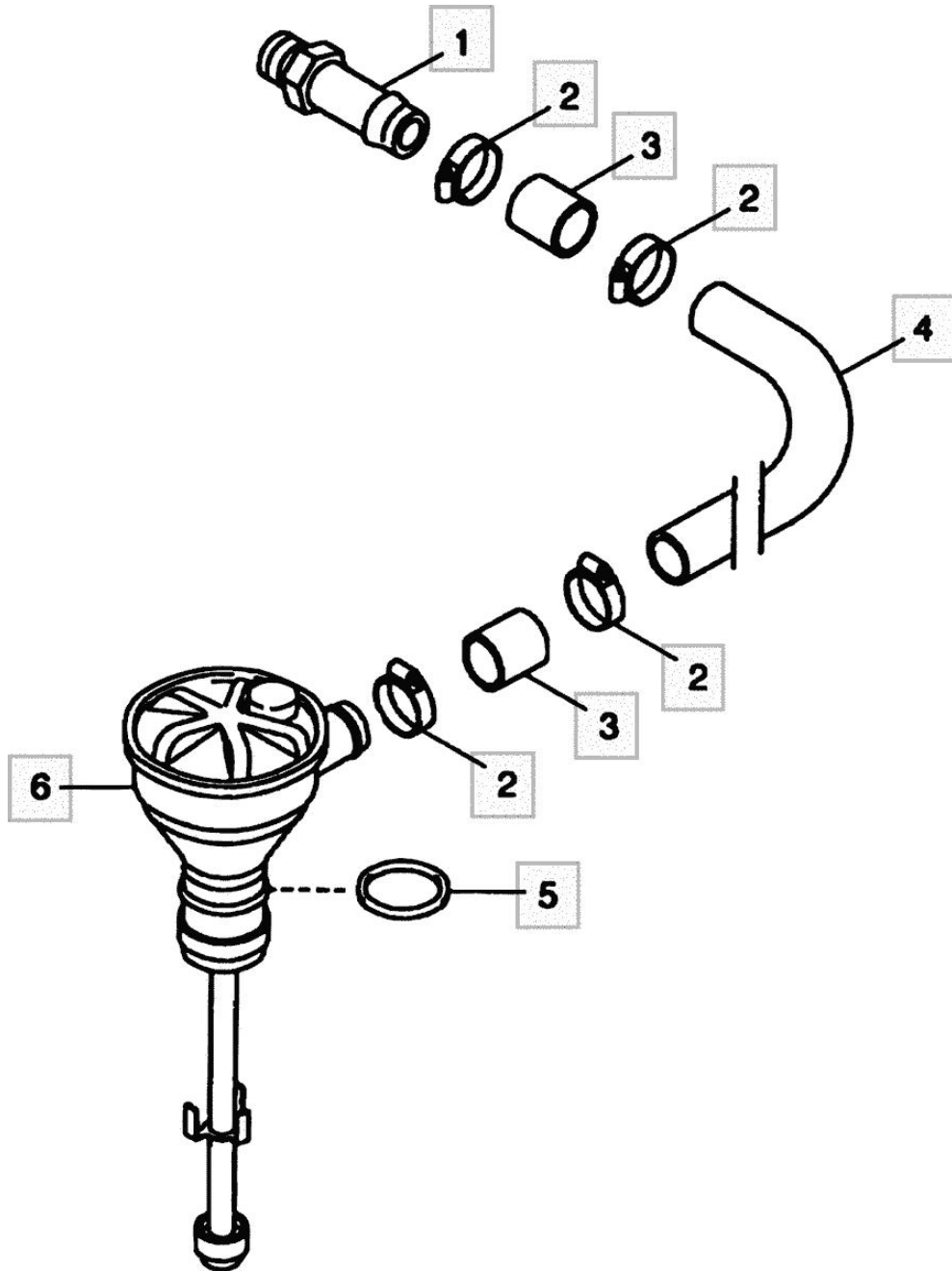
Section: ENGINE

ENGINE BREATHER

Fig.	P/n	QTY	Name
------	-----	-----	------

Notes:
[TOPLINER 8XL]

1	04317868	1	vent
2	01173962	3	clamp Ø 20/32
3	01180823	3	rubber sleeve
4	04223250	1	tube
5	01179881	1	oil seal 36x3,5
6	04223215		oil

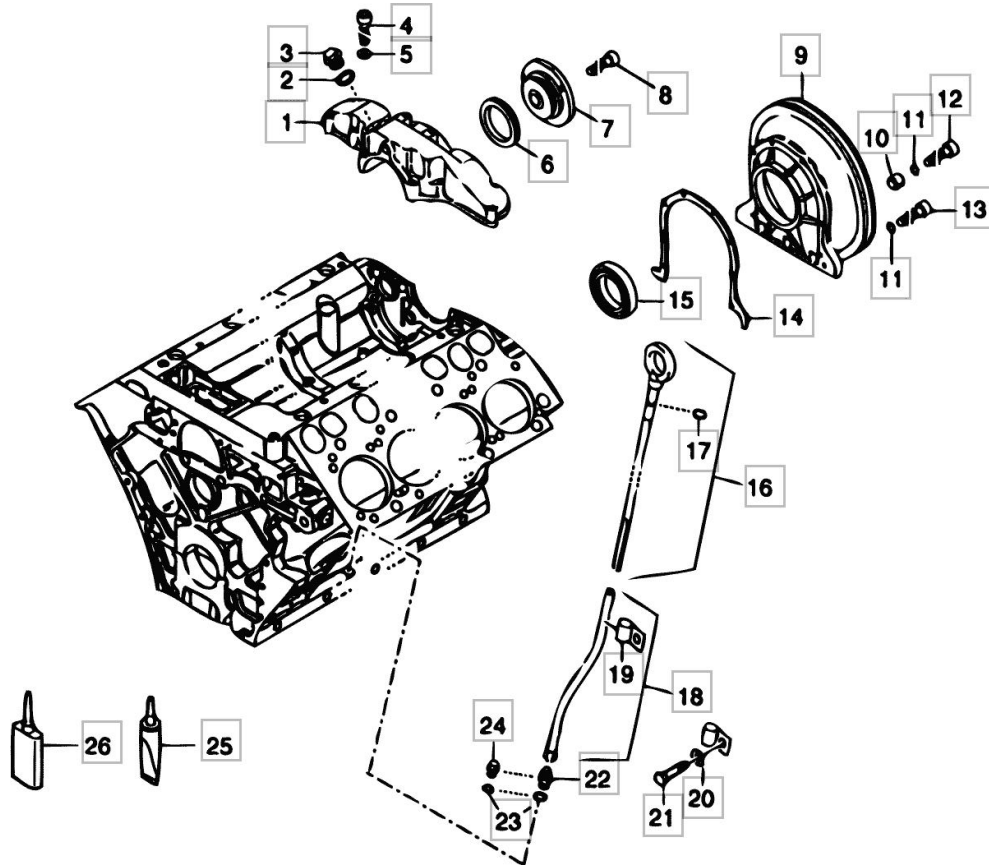


Section: ENGINE

ENGINE REAR COVER DIPSTICK

Fig.	P/n	QTY	Name
------	-----	-----	------

Notes:
[TOPLINER 8XL]

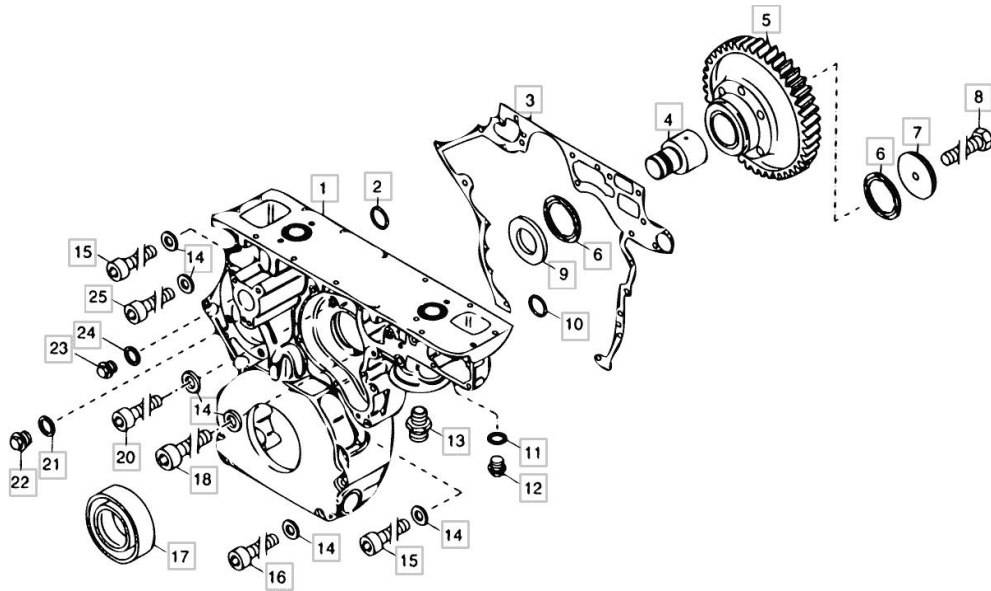


1	04222391	1	cap
2	01118835	1	ring
3	01119011	1	screw cm45x1,5
4	01110598	10	screw
5	01107548	12	washer 8.4
6	04220025	1	oil seal
7	04222549	1	cover
8	01110577	2	screw m 8 x 25
9	04223659	1	cover
10	03361375	2	bushing
11	01118654	9	oil seal 8x14 d7603
12	01110582	8	screw
13	01110598	1	screw
14	04224351	1	gasket
15	04220009	1	oil seal
16	01180473	1	dipstick
16.1	01180299	1	dipstick -Y 9 124 239 +Y 9 124 240
17	01165973	1	ring 5x1,5
18	04222881	1	tube -Y 9 124 239
18.1	04224544	1	guide +Y 9 124 240
19	03369462	1	fascia
20	02420277	1	washer
21	01112515	1	screw m 12 x 25
22	02409121	1	vent
23	01118693	2	gasket 14x20
24	01133632	1	screw
25	01091503		gasket dw66
25.1	01016126		oil
26	01016024		gasket

Section: ENGINE
ENGINE CARRIER

Fig.	P/n	QTY	Name
------	-----	-----	------

Notes:
 [TOPLINER 8XL]



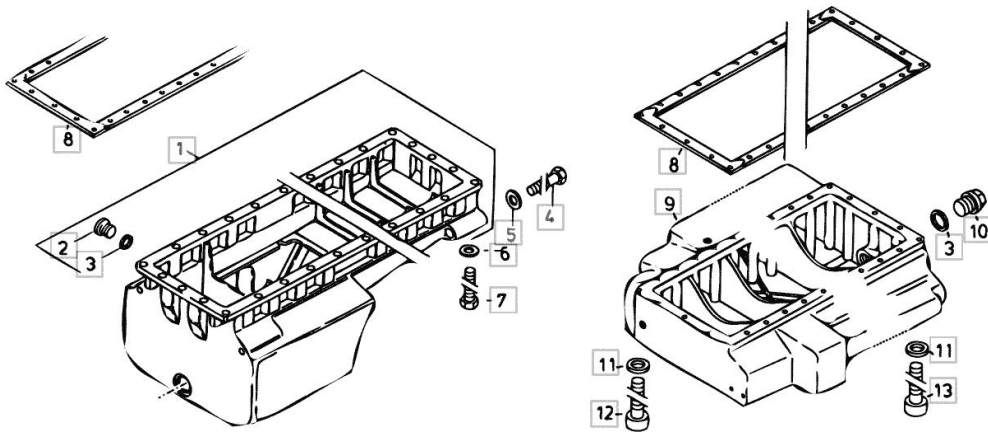
0.1	01016126		oil
1	04223240	1	support
2	01179935	1	oil seal 12x4
3	04225522	1	gasket
4	04221396	1	pin
5	04222627	1	gear
6	04221452	2	ring
7	04221451	1	washer
8	01144612	1	screw m12x120
9	04221450	1	washer
10	01174714	1	ring 28x4
11	01118687	2	oil seal
12	01118960	2	plug am14x1,5
13	04146958	1	vent
14	01151184	23	washer
15	01152831	9	screw m 10x110
16	01144747	5	screw m10x150
17	04225441	1	oil seal
18	06208861	2	screw
20	01152828	2	screw m10x65
21	01118712	1	oil seal a 18x22 d7603
22	01118970	1	plug m 18 p.1.5
23	01118997	1	screw cm10x1
24	01118658	1	oil seal
25	01110695	5	screw m 10 x 70

Section: ENGINE
ENGINE OIL PAN

Fig.	P/n	QTY	Name
------	-----	-----	------

Notes:
 [TOPLINER 8XL]

1	04222621	1	oil sump -Y
2	01110428	3	screw m 0x1,5 -Y
3	01118784		oil seal 30x36x2 d7603
4	01101808	2	screw m12x150 d931 -Y
5	01151002	2	washer 13x24x3 -Y
6	02404201	26	washer -Y
7	01112341	26	screw m 8 x 30, d933 -Y
8	04225439	1	gasket
9	04222651	1	oil sump +Y
10	01110443	1	screw m 0x1,5 +Y
11	02233181	26	washer +Y
12	01152821	11	screw m 8 x 120, d912 +Y
13	01144539	15	screw +Y



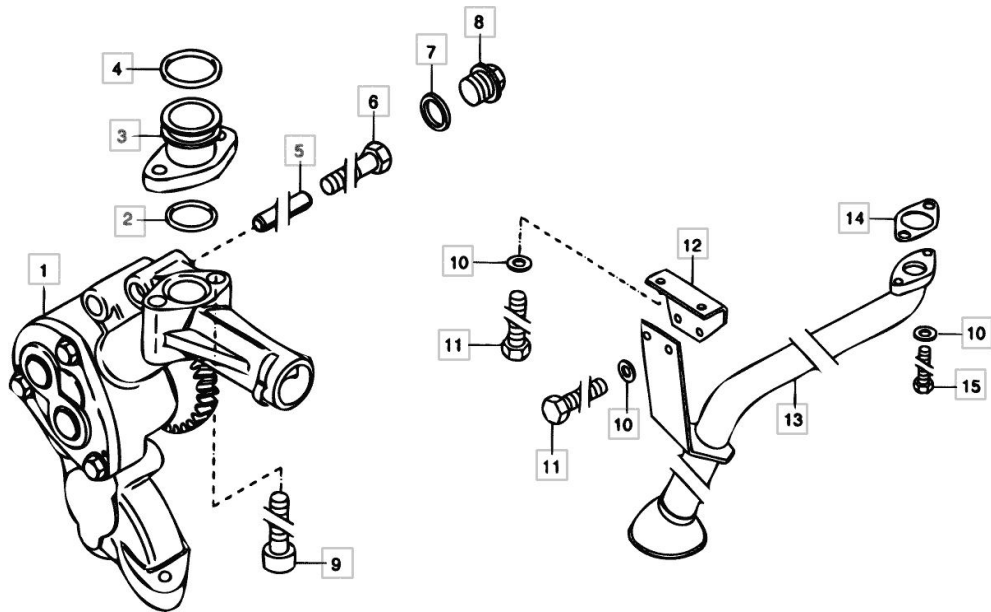
Section: ENGINE

ENGINE OIL PUMP

Fig.	P/n	QTY	Name
------	-----	-----	------

Notes:

0422 2621 OIL SUCTION PIPE [TOPLINER 8XL]



2	01172063	1	oil seal 24X2
3	04221443	1	element
4	01161019	1	oil seal 25x4
5	01167269	2	bush
6	01111334	4	screw
7	01118664	1	ring
8	01118952	1	screw m10x1 d7604
9	01110598	2	screw
10	02404201	6	washer
11	01112333		screw m 8 x 25, d933
11.1	01112307	2	screw m 8 p.1.25 x 15, d933 X 12
12	04221102	1	support
13	04222688	1	tube -Y
13.1	04221099	1	tube +Y
14	01178421	1	gasket
15	01112333	2	screw m 8 x 25, d933 -Y
15.1	01112307	2	screw m 8 p.1.25 x 15, d933 +Y

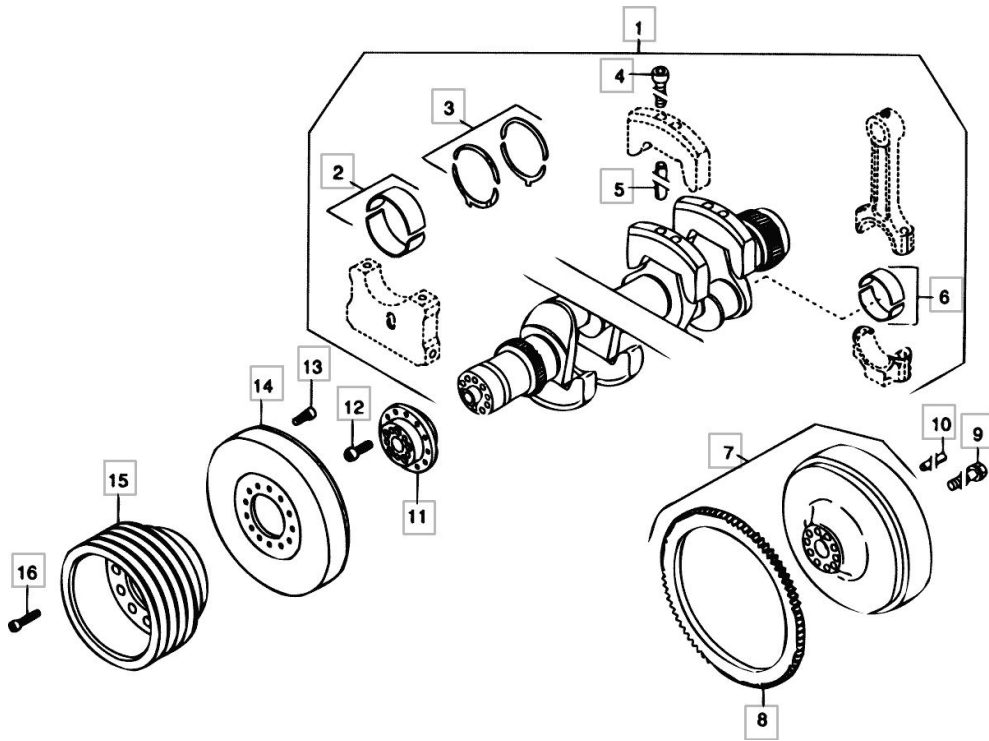
Section: ENGINE

ENGINE CRANKSHAFT

Fig.	P/n	QTY	Name
------	-----	-----	------

Notes:
[TOPLINER 8XL]

1	02929724	1	crankshaft
2	02929722	4	bearing
3	02929723	1	shim
4	04145333	8	screw
5	02148900	8	roll pin
6	02929721	6	conrod bearing
7	04193514	1	flywheel
8	02247911	1	crown wheel
9	04193458	10	bolt
10	01157360	1	grub screw
11	04224280	1	hub -Y 9 124 239
11.1	04220066	1	hub +Y 9 124 240
12	01139913	5	screw m 16 p.1.5x65 / 10.9
13	01110578	12	screw m8x30 d912-10
14	04220680	1	flexible coupling
15	16044079	1	pulley B A58
16	01143078	5	screw m 16 p.1.5 x 100

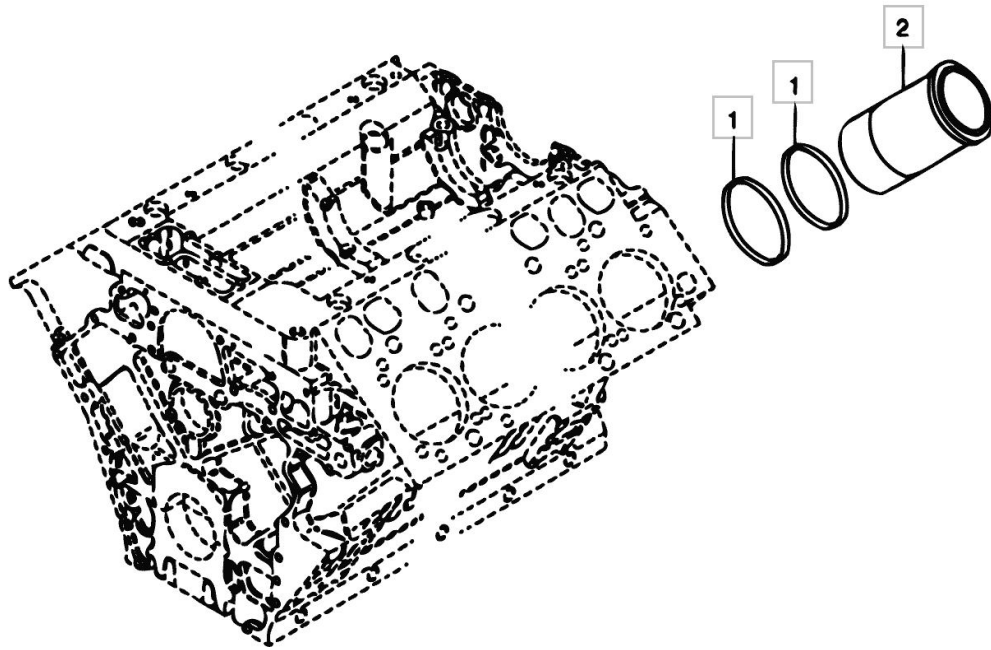


ENGINE CYLINDER LINER

Fig.	P/n	QTY	Name
------	-----	-----	------

Notes:
[TOPLINER 8XL]

0.1	01016105		sealing compound
1	01180667	12	oil seal 150x4
2	04221553	6	engine cylinder

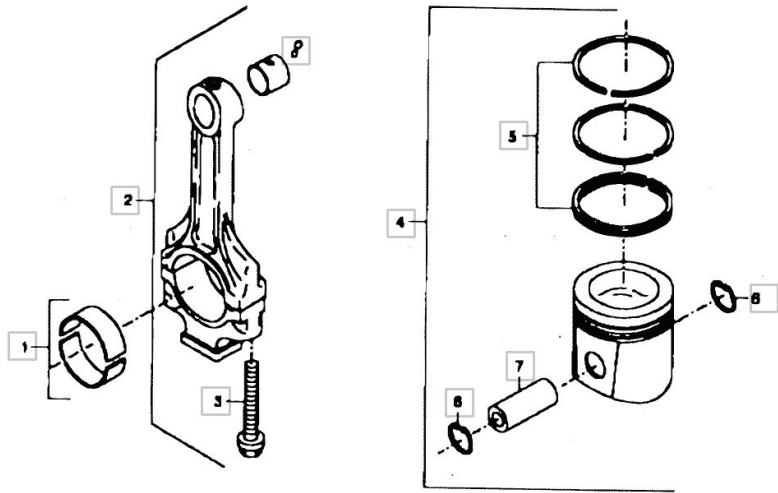


Section: ENGINE
ENGINE PISTON

Fig.	P/n	QTY	Name
------	-----	-----	------

Notes:
 [TOPLINER 8XL]

1	02929721	6	conrod bearing
2	04220829	6	rod
3	04143232	12	screw
4	04225196	6	piston
5	04225599	6	piston ring set
6	01107838	12	circlip
7	04220556	6	piston pin
8	04220157	6	connecting rod. eye



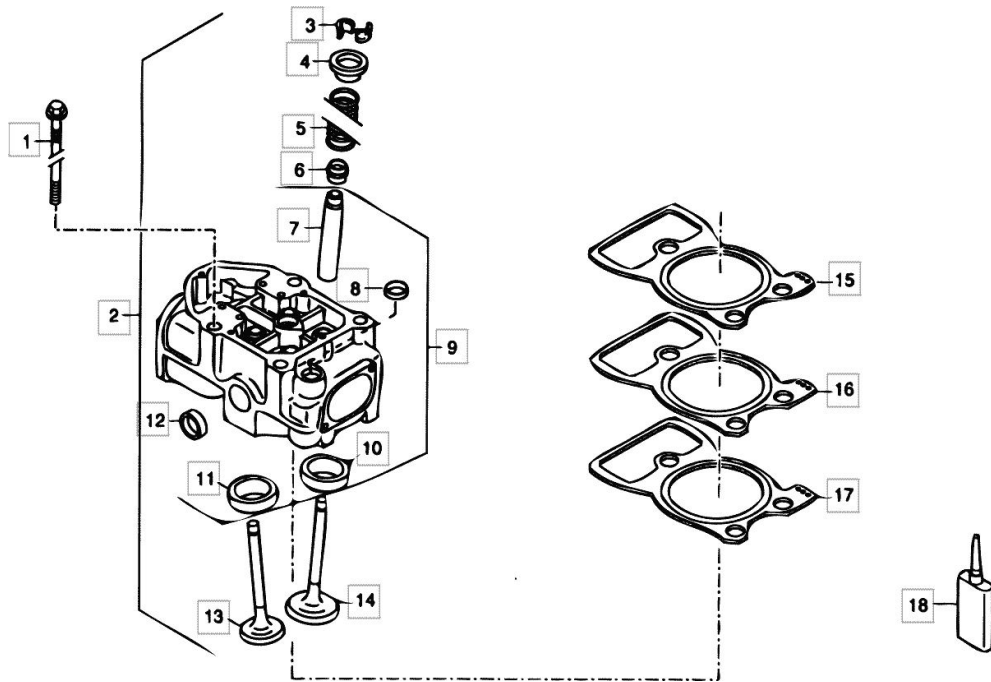
Section: ENGINE

ENGINE CYLINDER HEAD

Fig.	P/n	QTY	Name
------	-----	-----	------

Notes:
[TOPLINER 8XL]

1	04220626	24	screw
2	04221152	6	engine head
3	02108102	48	half shell
4	04222574	24	cup
5	04221153	24	spring
6	04221154	24	gasket
7	04220708	24	valve guide
8	01144103	6	cover
9	04221149	6	engine head
10	04220795	12	ring
11	04220789	12	ring
12	01148031	12	plug
13	04220142	12	exhaust valve
14	04220143	12	inlet valve
15	04222904		head gasket 1,4 MM
16	04222906		head gasket 1,6 MM
17	04222908		head gasket 1,8 MM
18	01016127		sealing compound ml. 50

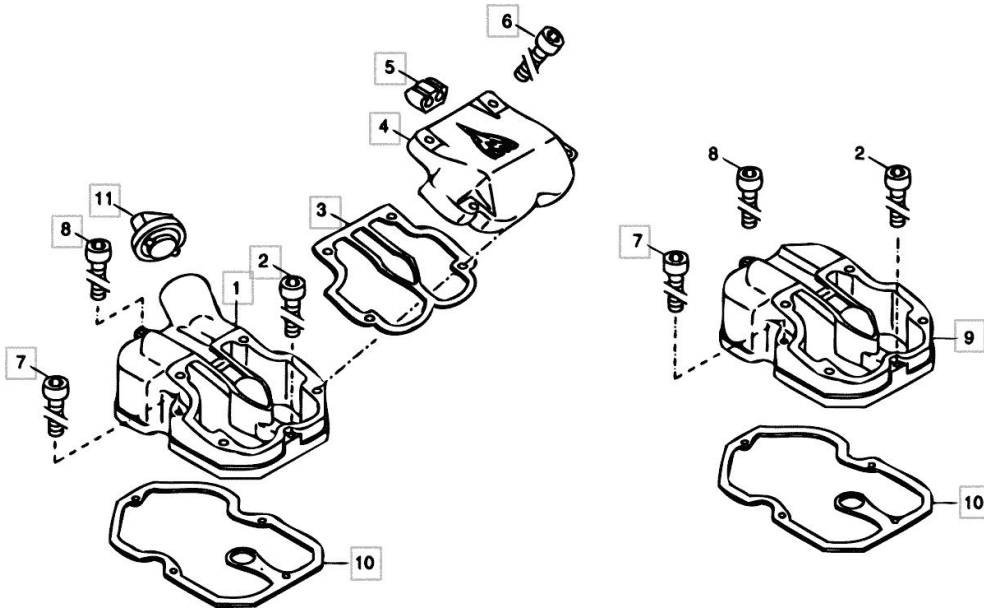


Section: ENGINE
ENGINE CYLINDER HEAD

Fig.	P/n	QTY	Name
------	-----	-----	------

Notes:
 [TOPLINER 8XL]

1	04222558	1	guard -Y 9 124 239
1.1	04224101	1	guard +Y 9 124 240
2	01110578	6	screw m8x30 d912-10
3	04224081	6	gasket -Y 9 124 239
3.1	04224392	6	gasket +Y 9 124 240
4	04221510	6	cover -Y 9 124 239
4.1	04224112	6	cover +Y 9 124 240
5	04224389		rubber
6	01110598	24	screw
7	01110610	12	screw
8	01144739	6	screw m8x80 d912-10
9	04222499	5	guard -Y 9 124 239
9.1	04224100	5	guard +Y 9 124 240
10	04221064	6	gasket
11	01179630	1	plug -Y 9 124 239
11.1	04224387	1	gasket +Y 9 124 240



Thank you so much for reading.
Please click the “Buy Now!”
button below to download the
complete manual.



After you pay.

You can download the most
perfect and complete manual in
the world immediately.

Our support email:

ebooklibonline@outlook.com