

**FUEL TANK & LINES**

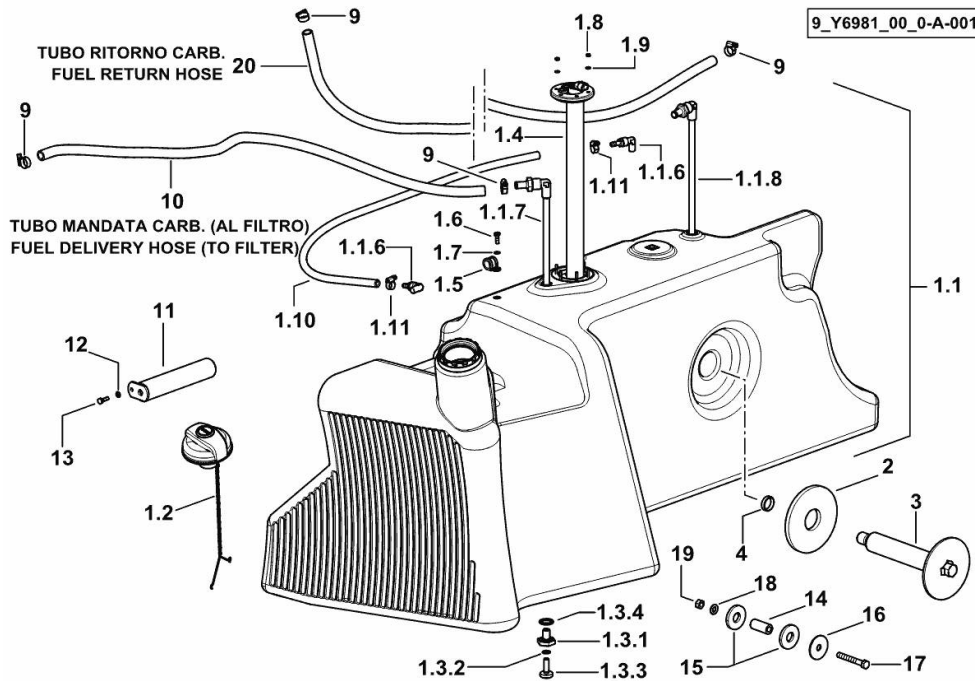


Fig.	P/n	QTY	Name
------	-----	-----	------

Notes:  
[Virtus 100]

1.1	0.019.1982.3/10	1	fuel tank
1.1.6	0.010.0749.0	2	breather
1.1.7	0.019.9325.3	1	tube
1.1.8	0.016.3795.3	1	tube
1.2	0.019.9407.4	1	plug
1.3.1	0.016.9607.0	1	plug m10
1.3.2	2.1560.006.0	1	gasket 10.2 x 16
1.3.3	0.016.9605.0	1	plug m14
1.3.4	2.1539.040.0	1	special oil seal 21.82 x 3.53
1.4	2.7059.011.0/10	1	level indicator
1.5	2.6839.066.0/10	1	clamp 16
1.6	2.0112.006.2	1	screw m 6 p.1 x 18
1.7	2.1470.002.2	1	lock washer 6
1.8	2.1011.101.2	6	nut
1.9	2.1310.028.2	6	flat washer
1.10	0.012.6451.0	1.06	tube Ø mm 8/15
1.11	2.6851.018.0	2	clamp Ø11/17
2	0.010.6927.0/10	1	shim
3	0.014.3176.2/10	1	pin
4	2.1549.334.2	1	spacer 26x30x8
9	2.6851.019.0	4	clamp Ø 13/20
10	0.012.6450.0	1.15	tube Ø mm 13/20
11	0.014.8587.2	1	pin
12	2.1470.002.2	1	lock washer 6
13	2.0112.007.2	1	screw m 6 p.1 x 20
14	2.1549.328.2	1	spacer 10.5x20x45
15	2.1569.161.0	2	gasket 20x50x6
16	2.1599.354.2	1	washer 12.5x50x3
17	2.0112.324.2	1	screw m 10 p.1.5x75
18	2.1310.006.2	1	flat washer 10.5x21
19	2.1011.106.2	1	nut m 10 p.1.5
20	0.012.6450.0	1.72	tube Ø mm 13/20

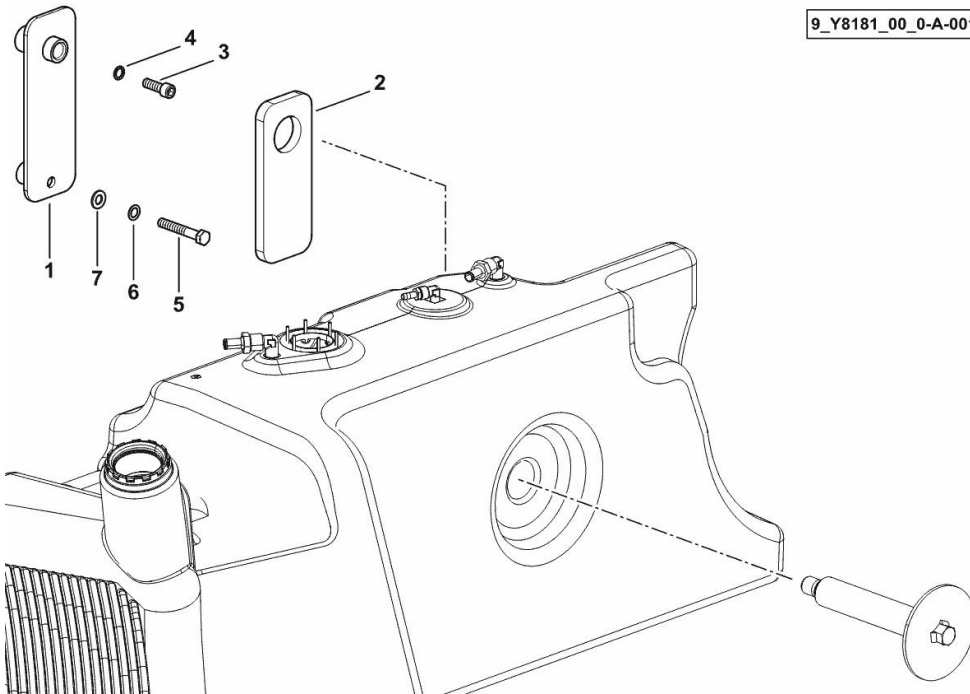
**FUEL TANK FIXING PARTS**

Fig.	P/n	QTY	Name
------	-----	-----	------

Notes:  
[Virtus 100]

1	0.019.2969.2/10	1	tank support
2	0.019.2974.0	1	shim
3	2.0312.412.2	1	screw m 12 p.1.75x35
4	2.1480.016.2	1	washer 12
5	2.0112.424.2	1	screw m 12 p.1.75x75
6	2.1470.007.2	1	lock washer 12
7	2.1310.007.2	1	flat washer 13 x 24

9\_Y8181\_00\_0-A-001

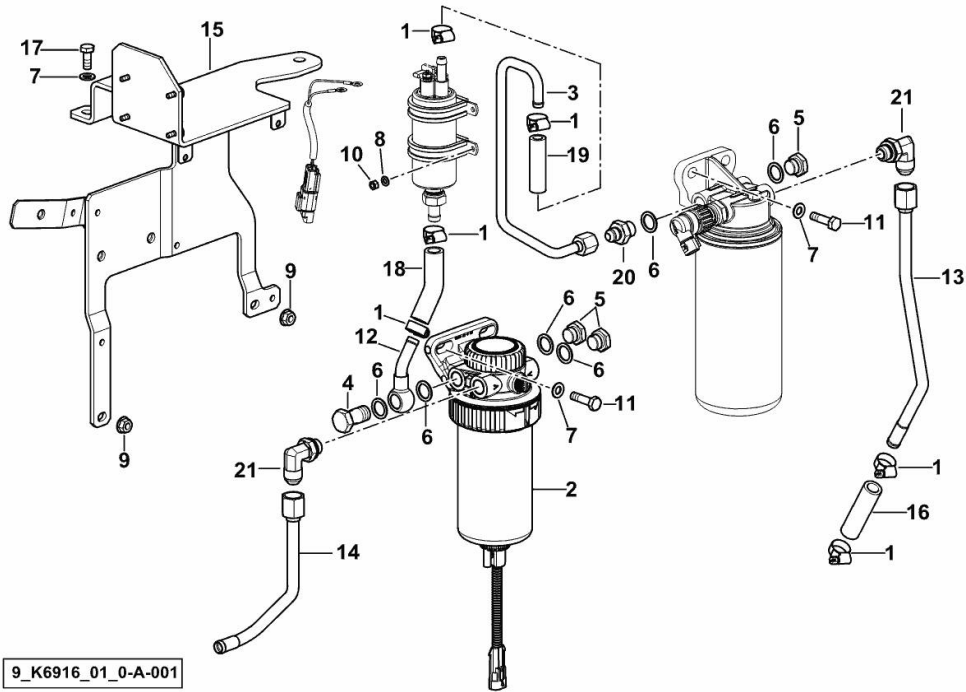


**FUEL PRELIMINARY FILTER**

Fig.	P/n	QTY	Name
------	-----	-----	------

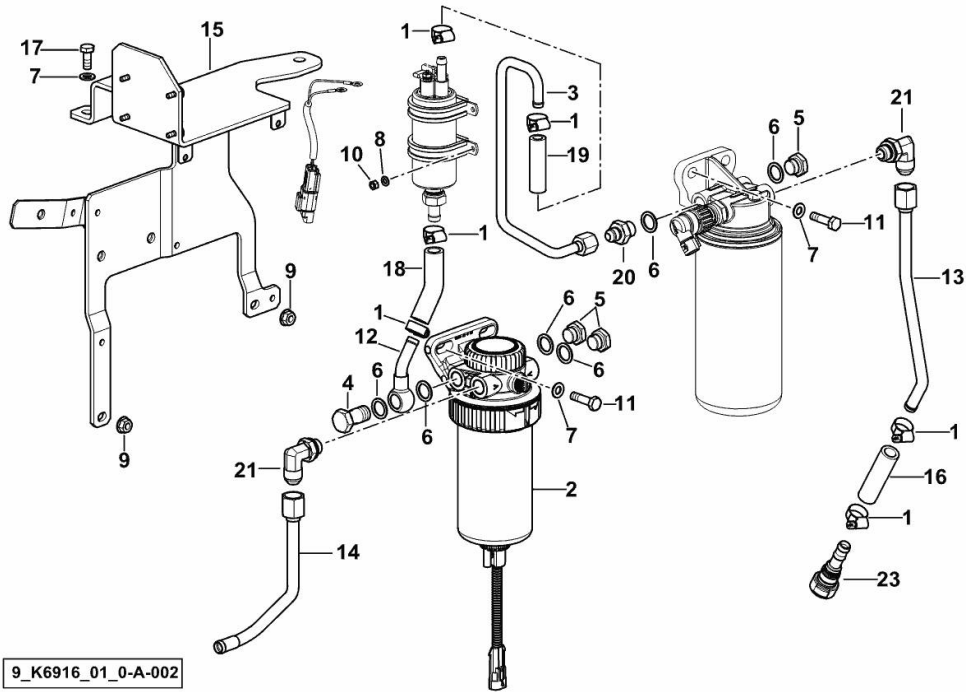
**Notes:**

[Virtus 100] 10075 <-



1	2.6851.019.0	6	clamp Ø 13/20
2	2.4319.316.0/10	1	precleaner ☞ 2.4319.316.0/10
3	0.020.7099.3	1	tube
4	2.3332.005.2	1	pipe fitting m 16 p.1.5
5	2.3110.404.2	3	plug m 16 p.1.5
6	2.1560.012.0	6	gasket 16.2 x 22
7	2.1310.004.2	5	flat washer 8.4x17
8	2.1310.001.2	4	flat washer 5.3 x 10
9	2.1071.004.2	2	special nut m 8
10	2.1011.102.2	4	nut m 5 p.0.7
11	2.0112.211.2	4	screw m 8 p.1.25 x 30
12	0.019.1475.3/10	1	tube
13	0.020.7098.3	1	tube
14	0.020.6903.3	1	tube
15	0.019.0960.3/10	1	bracket
16	0.012.6450.0	0.07	tube Ø mm 13/20
17	2.0112.207.2	1	screw m 8 p 1.25 x 20
18	0.012.6450.0	0.08	tube Ø mm 13/20
19	0.012.6449.0	0.06	tube
20	2.3261.007.2	1	pipe fitting m 16 p.1.5-9/16"
21	2.3264.011.2	2	pipe fitting

**FUEL PRELIMINARY FILTER**



9\_K6916\_01\_0-A-002

Fig.	P/n	QTY	Name
------	-----	-----	------

**Notes:**

[Virtus 100] -> 10076

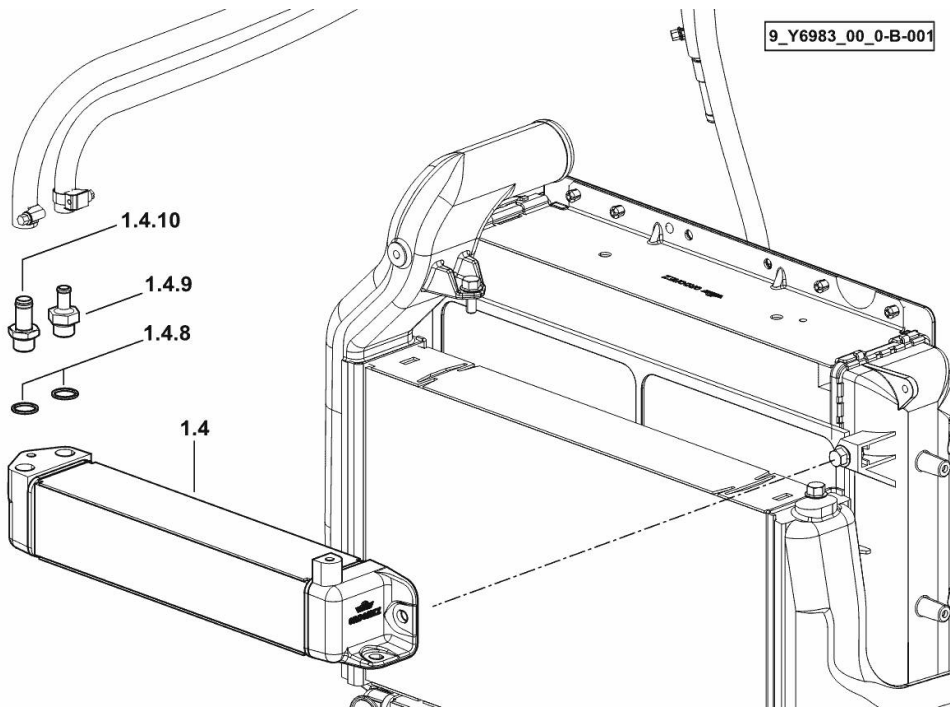
1	2.6851.019.0	6	clamp Ø 13/20
2	2.4319.316.0/10	1	precleaner ☞ 2.4319.316.0/10
3	0.020.7099.3	1	tube
4	2.3332.005.2	1	pipe fitting m 16 p.1.5
5	2.3110.404.2	3	plug m 16 p.1.5
6	2.1560.012.0	6	gasket 16.2 x 22
7	2.1310.004.2	5	flat washer 8.4x17
8	2.1310.001.2	4	flat washer 5.3 x 10
9	2.1071.004.2	2	special nut m 8
10	2.1011.102.2	4	nut m 5 p.0.7
11	2.0112.211.2	4	screw m 8 p.1.25 x 30
12	0.019.1475.3/10	1	tube
13	0.021.2676.3	1	tube
14	0.020.6903.3	1	tube
15	0.019.0960.3/10	1	bracket
16	0.012.6450.0	0.07	tube Ø mm 13/20
17	2.0112.207.2	1	screw m 8 p 1.25 x 20
18	0.012.6450.0	0.08	tube Ø mm 13/20
19	0.012.6449.0	0.06	tube
20	2.3261.007.2	1	pipe fitting m 16 p.1.5-9/16"
21	2.3264.011.2	2	pipe fitting
23	0.021.3780.0	1	connection

**FUEL COOLER**

Fig.	P/n	QTY	Name
------	-----	-----	------

Notes:  
[Virtus 100]

1.4	0.018.9384.3	1	radiator
1.4.8	2.1560.053.0	2	gasket 17 x 21
1.4.9	2.3249.373.0	1	pipe fitting 3/8"
1.4.10	2.3249.085.2/10	1	pipe fitting 3/8" gas

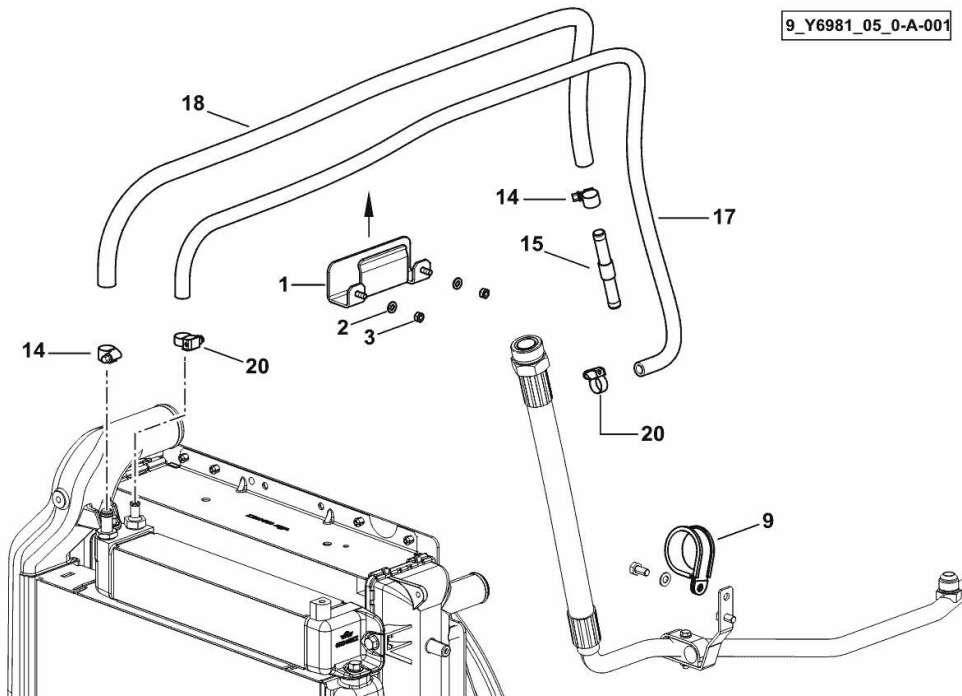


**FUEL COOLER PIPES**

Fig.	P/n	QTY	Name
------	-----	-----	------

Notes:  
[Virtus 100]

1	0.019.1931.3	1	channel
2	2.1310.002.2	2	flat washer 6.4x12.5
3	2.1011.103.2	2	nut m 6 p.1
9	2.6839.073.2	1	clamp 45
14	2.6851.001.0	2	clamp Ø 16/25
15	0.015.8420.0	1	pipe fitting
17	0.012.6449.0	1,32	tube
18	0.012.6450.0	1,2	tube Ø mm 13/20
20	2.6851.019.0	2	clamp Ø 13/20



**FUEL TANK PIN**

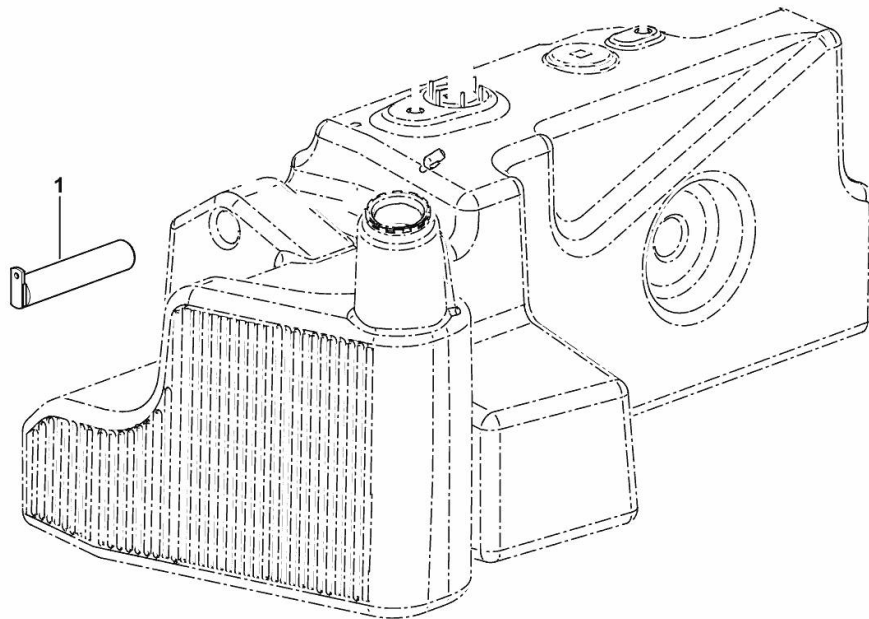
Fig.	P/n	QTY	Name
------	-----	-----	------

**Notes:**

KIT LIGHT [Virtus 100]

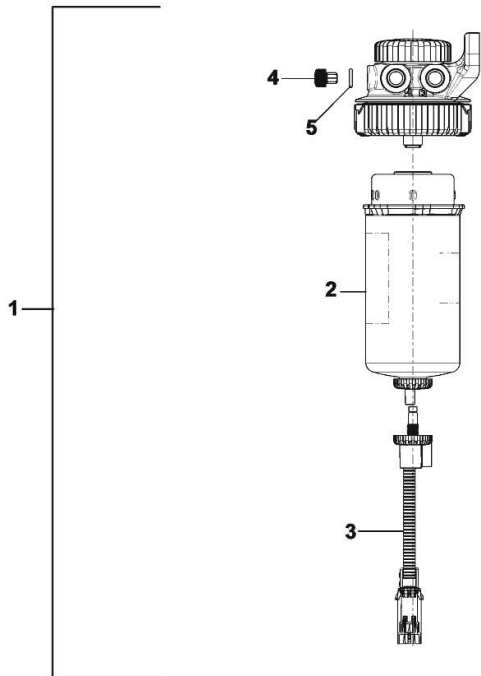
1	0.020.4289.2	1	pin
---	--------------	---	-----

9\_Y6981\_04\_0-A-001



**PREFILTER**

Fig.	P/n	QTY	Name
1	2.4319.316.0/10	1	precleaner
2	0.900.2043.4	1	filter
3	0.900.2261.4	1	clogging warning ind.
4	0.900.0864.3	1	screw
5	0.900.0789.8	1	ring



2.4319.316.0\_10

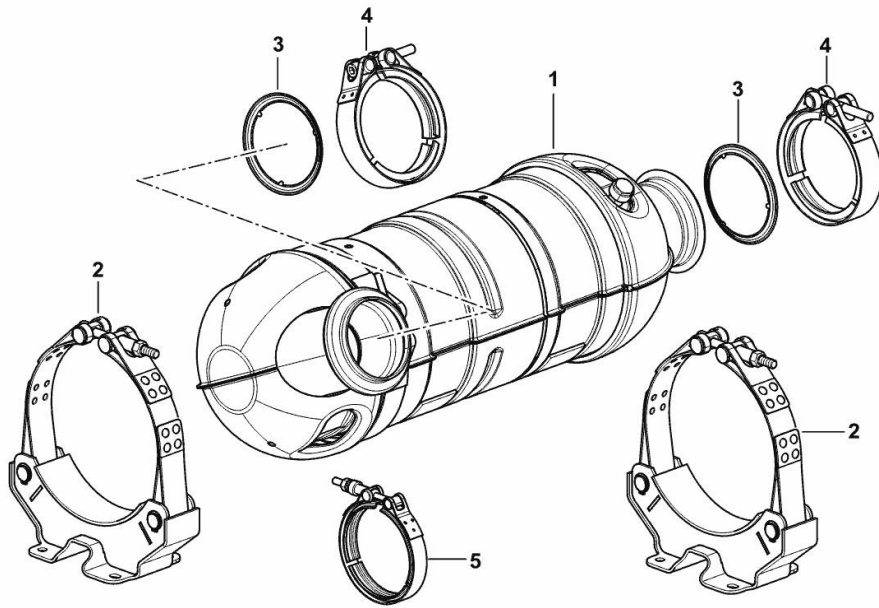


**EXHAUST SYSTEM**

Fig.	P/n	QTY	Name
------	-----	-----	------

Notes:  
[Virtus 100]

1	01980210	1	silencer
2	04603276	2	fascia
3	04600004	2	gasket
4	04603585	2	clamp
5	04602018	1	gasket



9\_K7119\_10\_0-A-001

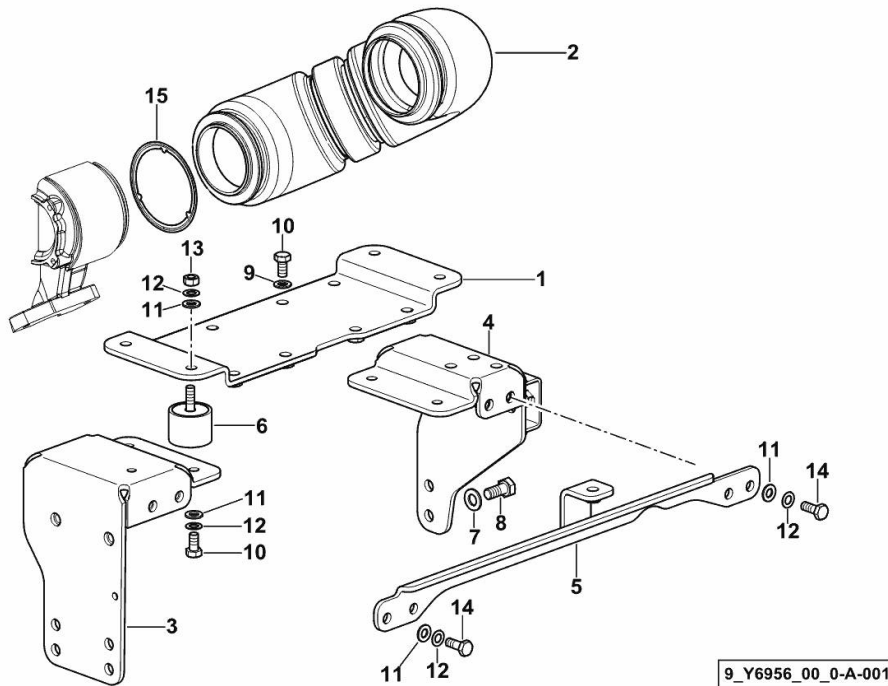
**EXHAUST SYSTEM**

Fig.	P/n	QTY	Name
------	-----	-----	------

**Notes:**

[Virtus 100] 10073 <-

1	0.019.9148.3	1	support
2	0.018.9834.3/10	1	tube
3	0.019.9155.3	1	support
4	0.019.9179.3/10	1	support
5	0.019.9149.3	1	cap-washer
6	0.010.1054.2/10	4	support
7	2.1475.003.2	2	washer 10
8	2.0112.308.2	2	screw m 10 p.1.5x22
9	2.1475.002.2	8	conical washer 8
10	2.0112.205.2	12	screw m 8 p.1.25 x 16
11	2.1310.004.2	12	flat washer 8.4x17
12	2.1470.004.2	12	lock washer 8
13	2.1011.105.2	4	nut m 8 p.1.25
14	2.0112.207.2	4	screw m 8 p 1.25 x 20
15	0.019.7817.0	1	gasket



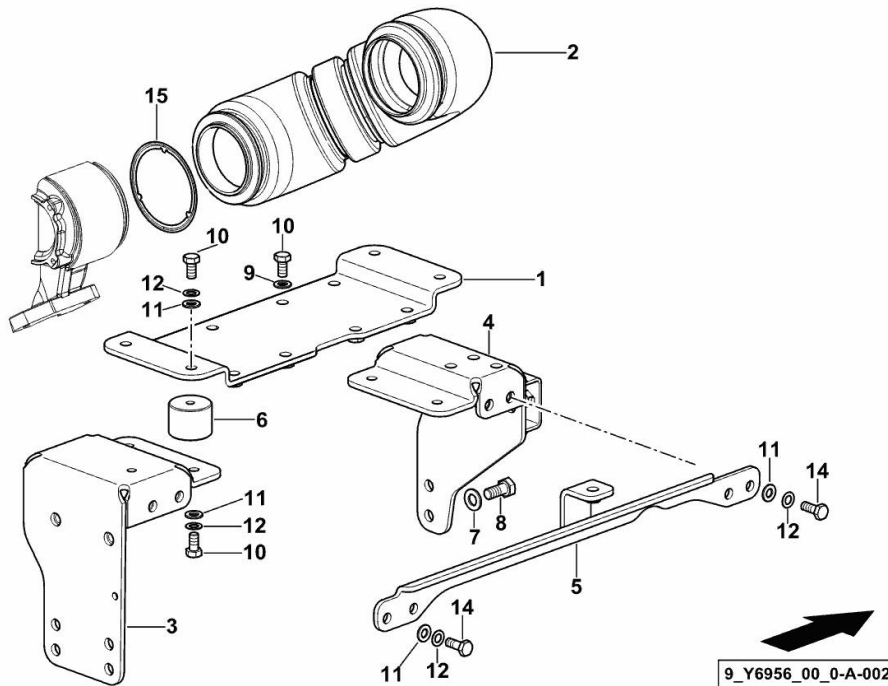
**EXHAUST SYSTEM**

Fig.	P/n	QTY	Name
------	-----	-----	------

**Notes:**

[Virtus 100] -> 10074

1	0.019.9148.3/10	1	plate
2	0.018.9834.3/10	1	tube
3	0.019.9155.3/10	1	bracket
4	0.019.9179.3/20	1	bracket
5	0.019.9149.3/10	1	bracket
6	0.021.1192.0	4	spacer
7	2.1475.003.2	2	washer 10
8	2.0112.308.2	2	screw m 10 p.1.5x22
9	2.1475.002.2	8	conical washer 8
10	2.0112.205.2	16	screw m 8 p.1.25 x 16
11	2.1310.004.2	12	flat washer 8.4x17
12	2.1470.004.2	12	lock washer 8
14	2.0112.207.2	4	screw m 8 p 1.25 x 20
15	0.019.7817.0	1	gasket



Thank you so much for reading.  
Please click the “Buy Now!”  
button below to download the  
complete manual.



After you pay.

You can download the most  
perfect and complete manual in  
the world immediately.

Our support email:

[ebooklibonline@outlook.com](mailto:ebooklibonline@outlook.com)