

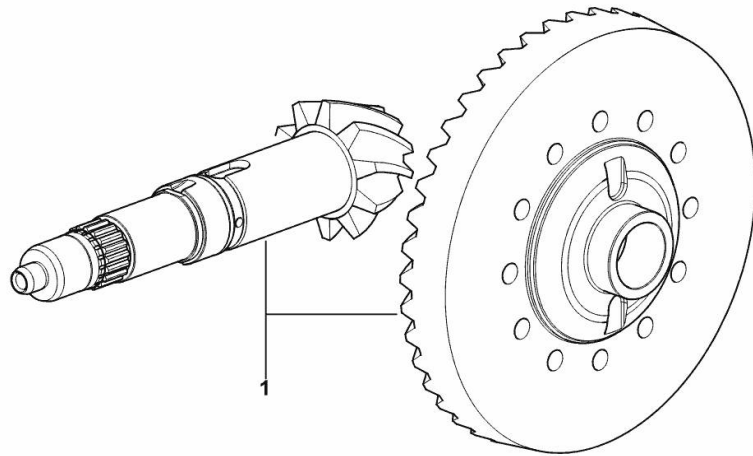
BEVEL WHEEL GEAR Z = 10 / Z = 39

| Fig. | P/n | QTY | Name |
|------|-----|-----|------|
|------|-----|-----|------|

Notes:

[Virtus 110 Infinity 2WD] [Virtus 110 Infinity 4WD]

| | | | |
|---|-----------------|---|-----------------------------|
| 1 | 0.018.8248.3/20 | 1 | bevel drive Z = 10 / Z = 39 |
|---|-----------------|---|-----------------------------|



9_Y8135_01_0-A-001

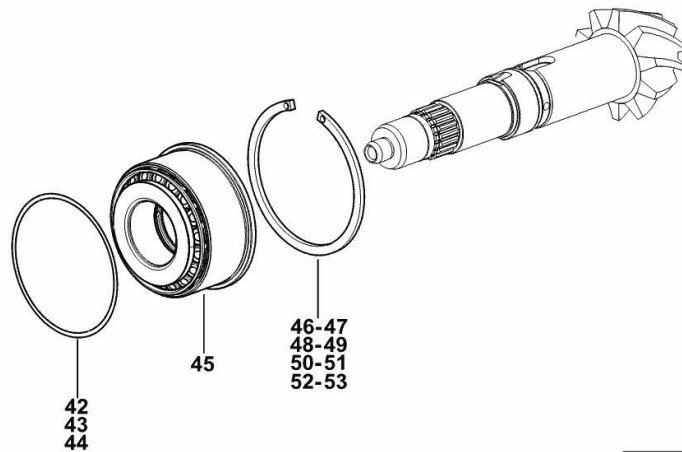
BEVEL DRIVE PINION BEARING

| Fig. | P/n | QTY | Name |
|------|-----|-----|------|
|------|-----|-----|------|

Notes:

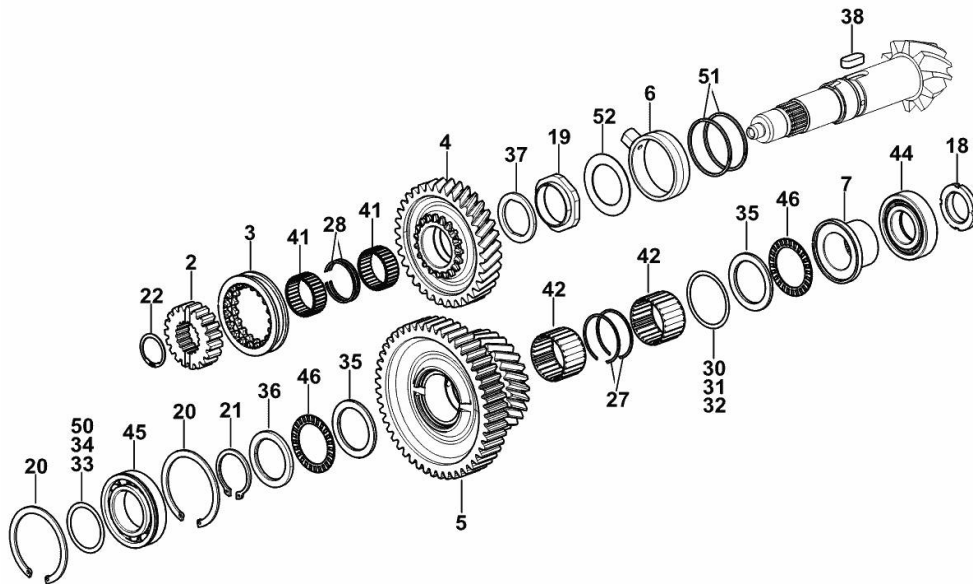
[Virtus 110 Infinity 4WD] [Virtus 110 Infinity 2WD]

| | | | |
|----|-----------------|--------------------------|--------------------------------|
| 42 | 2.1589.167.0 | 1 | shoulder ring 105 x 112 x 0.15 |
| 43 | 2.1589.168.0 | 1 | shoulder ring 105 x 112 x 0.1 |
| 44 | 2.1589.169.0 | 1 | shoulder ring 105 x 112 x 0.5 |
| 45 | 2.2999.502.0/10 | 1 | special bearing |
| 46 | 2.1499.061.1 | 0.12 | circlip 120x3.4 |
| 47 | 2.1499.062.1 | 0.12 | circlip 120x3.5 |
| 48 | 2.1499.063.1 | 0.12 | circlip 120x3.6 |
| 49 | 2.1499.064.1 | 0.12 | circlip 120x3.7 |
| 50 | 2.1499.065.1 | 0.12 | circlip 120x3.8 |
| 51 | 2.1499.066.1 | 0.12 <td circlip 120x3.9 | |
| 52 | 2.1499.067.1 | 0.12 | circlip 120x4 |
| 53 | 2.1499.068.1 | 0.12 | circlip 120x4.1 |



9_Y8135_00_0-B-001

SPEED RANGE REDUCTION GEAR UNIT



9_Y8134_00_0-B-001

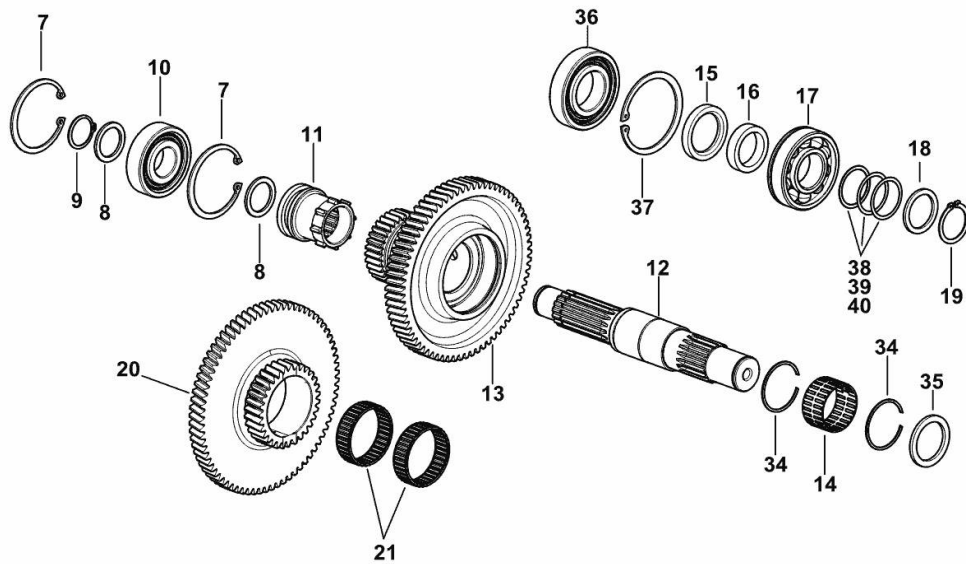
| Fig. | P/n | QTY | Name |
|------|-----|-----|------|
|------|-----|-----|------|

Notes:

[Virtus 110 Infinity 2WD] [Virtus 110 Infinity 4WD]

| | | | |
|----|-----------------|---|------------------------------|
| 2 | 0.018.8256.0 | 1 | hub |
| 3 | 0.018.8258.0 | 1 | sleeve |
| 4 | 0.018.8263.0 | 1 | gear Z = 34 - 26 |
| 5 | 0.018.8274.0/30 | 1 | gear |
| 6 | 0.020.0081.0 | 1 | manifold |
| 7 | 0.018.8580.0/10 | 1 | bushing |
| 18 | 2.1219.068.2 | 1 | ring nut m 38 x 1.5 |
| 19 | 2.1219.075.7/10 | 1 | ring nut |
| 20 | 2.1411.036.1 | 2 | circlip 90 |
| 21 | 2.1412.019.7 | 1 | circlip 50x3 |
| 22 | 2.1419.067.0 | 1 | circlip 35 x 1.5 |
| 27 | 2.1423.043.0 | 2 | circlip 58x1.5 |
| 28 | 2.1423.038.7 | 2 | circlip 50 |
| 30 | 2.1580.204.0 | 1 | shim 60.5x70x0.2 |
| 31 | 2.1580.205.0 | 2 | shim 60.5x70x0.5 |
| 32 | 2.1580.213.0 | 2 | shim 60.5x70x0.15 |
| 33 | 2.1580.216.0 | 2 | shim 50.5x62x0.5 |
| 34 | 2.1580.215.0 | 1 | shim 50.5x62x0.2 |
| 35 | 2.1599.549.0 | 2 | slewing ring 52x70x4 |
| 36 | 2.1599.550.0 | 1 | shoulder ring 50x68x5 |
| 37 | 2.1599.923.0 | 1 | shoulder ring 45x60x4 |
| 38 | 2.1799.038.0 | 1 | key |
| 41 | 2.2770.077.0 | 2 | roller cage 42x50x20 |
| 42 | 2.2999.126.0 | 2 | roller cage 50x58x35 |
| 44 | 2.2999.174.0/10 | 1 | special bearing 40 x 80 x 18 |
| 45 | 2.2999.203.0 | 1 | special bearing 50 x 90 x 20 |
| 46 | 2.2999.228.0 | 2 | roller cage 50x70x3 |
| 50 | 2.1580.217.0 | 2 | shim 50.5x62 0.05 |
| 51 | 2.1569.245.0 | 2 | oil seal 66x70x2 |
| 52 | 2.1599.927.0 | 1 | spacer 50.2x75x1.5 |

SPEED RANGE REDUCTION GEAR UNIT



9_Y8134_02_0-B-001

| Fig. | P/n | QTY | Name |
|------|-----|-----|------|
|------|-----|-----|------|

Notes:

[Virtus 110 Infinity 2WD] [Virtus 110 Infinity 4WD]

| | | | |
|----|-----------------|-----|------------------------------|
| 7 | 2.1411.029.1 | 2 | circlip 72 |
| 8 | 2.1549.605.0 | 2 | spacer 30x40x3 |
| 9 | 2.1410.012.7 | 1 | circlip |
| 10 | 2.2060.009.0 | 1 | ball bearing 30 x 72 x 19 |
| 11 | 0.018.8721.0/10 | 1 | sleeve |
| 12 | 0.019.1782.0 | 1 | shaft |
| 13 | 0.018.7350.0 | 1 | gear Z = 32 / 70 |
| 14 | 2.2999.456.0 | 1 | roller cage 45x50x27 |
| 15 | 2.1549.763.0 | 1 | spacer 40x55x8 |
| 16 | 2.1549.740.0 | 1 | spacer 35.2x50x11 |
| 17 | 2.2999.235.0 | 1 | special bearing 35 x 80 x 21 |
| 18 | 2.1599.874.0 | 1 | washer 35 x 45 x 3.0 |
| 19 | 2.1410.014.7 | 1 | circlip 35 |
| 20 | 0.018.8367.0 | 1 | gear Z = 73 / 31 |
| 21 | 2.2770.282.0 | 2 | roller cage 55x62x18 |
| 34 | 2.1423.038.7 | 2 | circlip 50 |
| 35 | 2.1599.791.0/10 | 1 | spacer |
| 36 | 2.2040.012.0 | 1 | ball bearing iso 40 bc 02 |
| 37 | 2.1411.032.7 | 1 | circlip Ø mm 80 |
| 38 | 2.1580.101.0 | 0.3 | shim 36 x 43 x 0.2 |
| 39 | 2.1580.102.0 | 0.3 | shim 36 x 43 x 0.5 |
| 40 | 2.1580.109.0 | 0.4 | shim 36x43x0.15 |

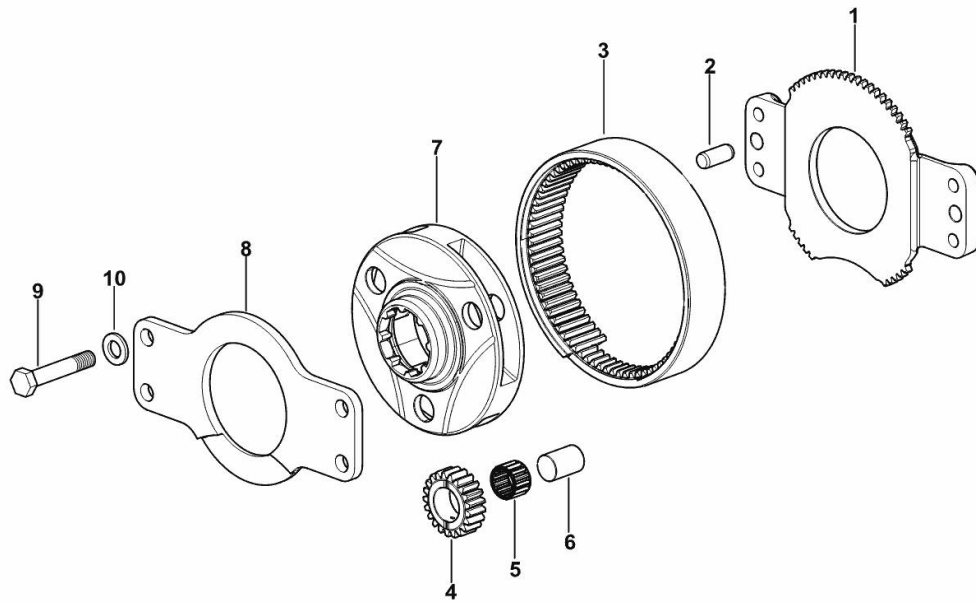
CREEPER GEARS

| Fig. | P/n | QTY | Name |
|------|-----|-----|------|
|------|-----|-----|------|

Notes:

[Virtus 110 Infinity 2WD] [Virtus 110 Infinity 4WD]

| | | | |
|----|-----------------|---|------------------------|
| 1 | 0.019.1988.0 | 1 | flange |
| 2 | 2.1651.912.0 | 2 | cylindrical plug 12x28 |
| 3 | 0.018.8709.0 | 1 | crown wheel |
| 4 | 0.018.8647.0 | 3 | planet gear Z=21 |
| 5 | 2.2770.165.0 | 3 | roller cage 20x26x17 |
| 6 | 0.018.8710.0 | 3 | pin |
| 7 | 0.018.8746.0 | 1 | spider |
| 8 | 0.018.8714.0/10 | 1 | flange |
| 9 | 2.0112.422.2 | 4 | screw m 12 p.1.75 x 65 |
| 10 | 2.1475.104.7 | 4 | washer 13 x 24 |



9_Y8134_04_0-A-001

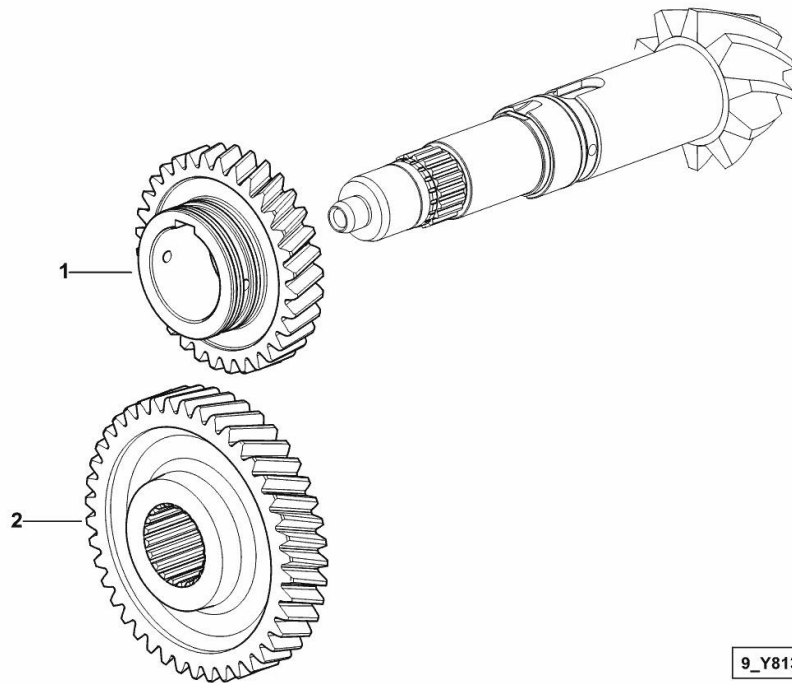
RANGE GEARBOX COMPLETION

| Fig. | P/n | QTY | Name |
|------|-----|-----|------|
|------|-----|-----|------|

Notes:

[Virtus 110 Infinity 2WD] [Virtus 110 Infinity 4WD]

| | | | |
|---|-----------------|---|-------------|
| 1 | 0.018.8493.0/10 | 1 | gear Z = 32 |
| 2 | 0.018.8499.0/10 | 1 | gear Z = 42 |



9_Y8134_05_0-A-001

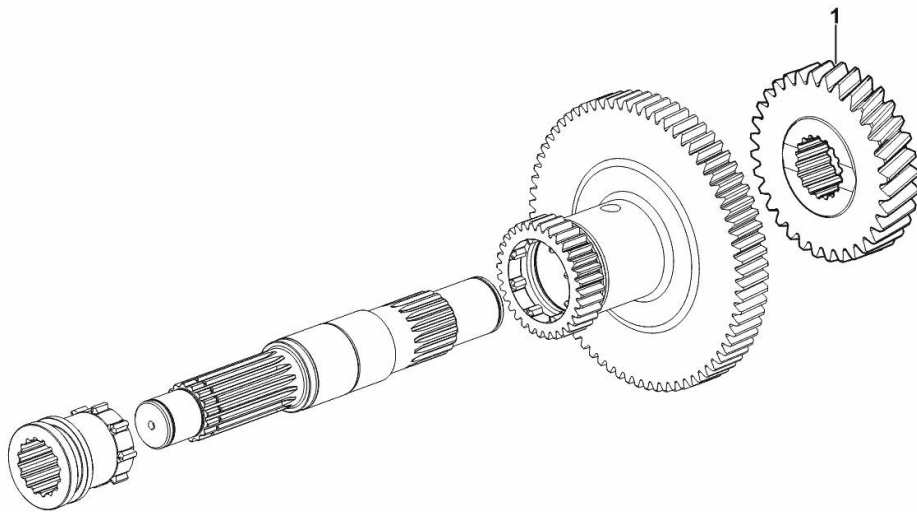
RANGE GEARBOX COMPLETION

| Fig. | P/n | QTY | Name |
|------|-----|-----|------|
|------|-----|-----|------|

Notes:

[Virtus 110 Infinity 2WD] [Virtus 110 Infinity 4WD]

| | | | |
|---|--------------|---|-------------|
| 1 | 0.019.0368.0 | 1 | gear Z = 32 |
|---|--------------|---|-------------|



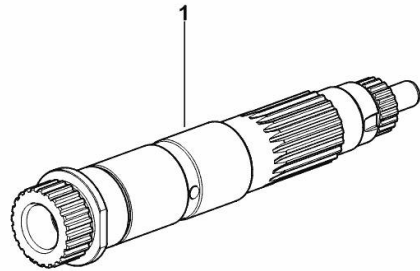
9_Y8134_06_0-A-001

SPEED RANGE REDUCTION GEAR SHAFT - 2WD

| Fig. | P/n | QTY | Name |
|------|-----|-----|------|
|------|-----|-----|------|

Notes:
[Virtus 110 Infinity 2WD]

| | | | |
|---|-----------------|---|-------|
| 1 | 0.018.9839.0/30 | 1 | shaft |
|---|-----------------|---|-------|



9_Y6938_01_0-B-001

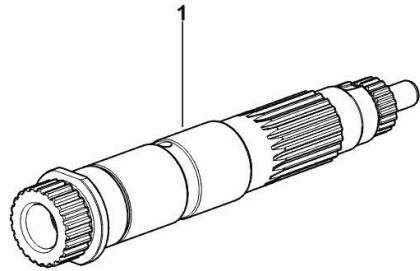
SPEED RANGE REDUCTION GEAR SHAFT - 4WD

| Fig. | P/n | QTY | Name |
|------|-----|-----|------|
|------|-----|-----|------|

Notes:

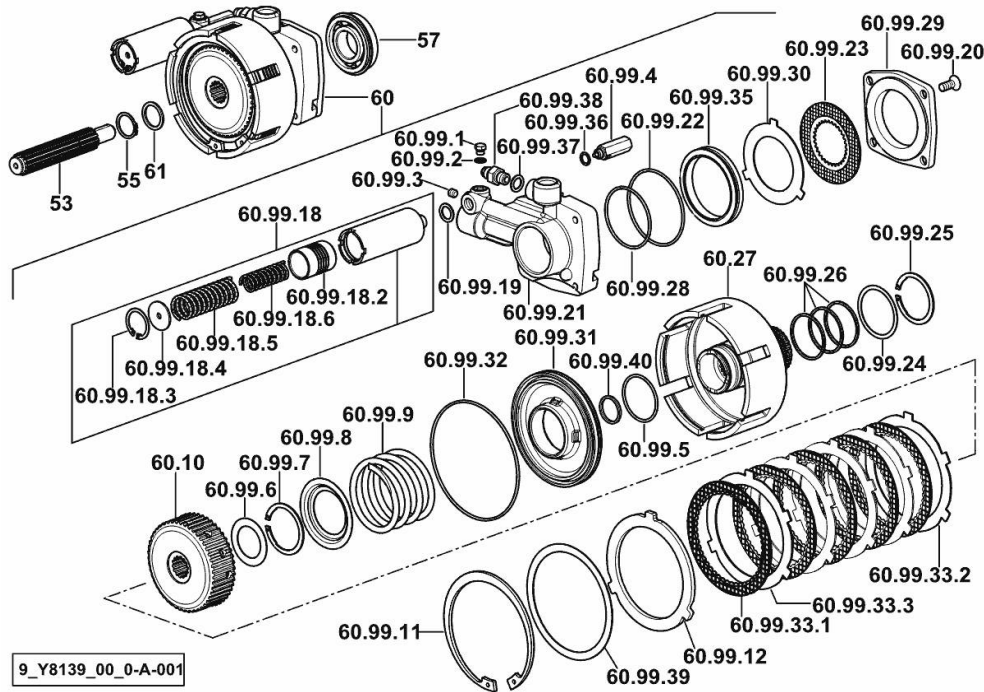
- FOR TYPES WITH SBA / ASM [Virtus 110 Infinity 4WD]

| | | | |
|---|-----------------|---|-------|
| 1 | 0.018.9839.0/30 | 1 | shaft |
|---|-----------------|---|-------|



9_Y8138_01_0-B-001

P.T.O. - ELECTROHYDRAULICALLY CONTROLLED HYDRAULIC CLUTCH



| Fig. | P/n | QTY | Name |
|------|-----|-----|------|
|------|-----|-----|------|

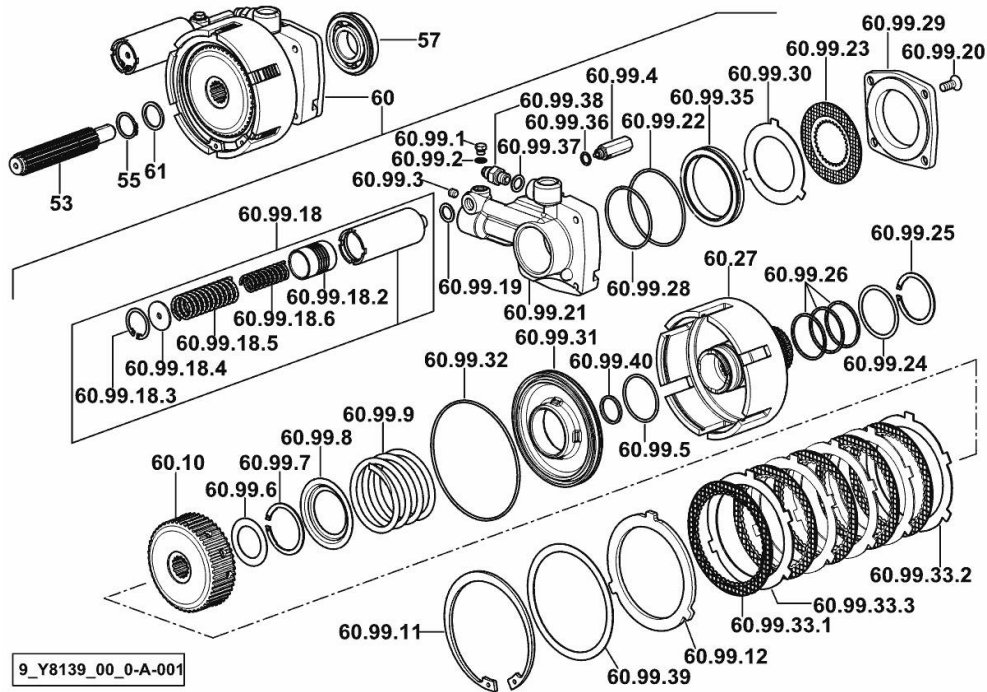
Notes:

[Virtus 110 Infinity 2WD] 10049 <- [Virtus 110 Infinity 4WD] 10049 <-

| | | | |
|------------|-----------------|---|---------------------------------|
| 53 | 0.445.3930.0 | 1 | shaft |
| 55 | 2.1410.009.7 | 1 | circlip 24 |
| 57 | 2.2043.009.0 | 1 | ball bearing 30x62x16 |
| 60 | 0.018.9213.4 | 1 | hydraulic PTO clutch |
| 60.10 | 0.008.8806.0/20 | 1 | hub |
| 60.27 | 0.008.4043.0/40 | 1 | box |
| 60.99.1 | 2.3110.428.1 | 1 | plug m 8 p.1 x 10 |
| 60.99.2 | 2.1560.003.0 | 1 | copper gasket 8.2 x 12 |
| 60.99.3 | 2.0512.202.7 | 1 | screw m 8 p.1.25 x 8 |
| 60.99.4 | 0.009.2445.4/20 | 1 | valve |
| 60.99.5 | 2.1539.067.0 | 1 | special oil seal 44.12x2.72 |
| 60.99.6 | 2.1599.415.0 | 1 | shoulder ring 35x52x1 |
| 60.99.7 | 2.1419.027.1 | 1 | circlip 48 |
| 60.99.8 | 0.255.3933.0 | 1 | disc |
| 60.99.9 | 2.4019.373.1 | 1 | spring 79.5x61.5x6.5 |
| 60.99.11 | 2.1419.035.1 | 1 | circlip 127 |
| 60.99.12 | 0.255.3969.0/10 | 1 | disc |
| 60.99.18 | 0.010.0526.4/10 | 1 | accumulator P.T.O. |
| 60.99.18.2 | 0.010.0525.0 | 1 | piston |
| 60.99.18.3 | 2.1411.013.7 | 1 | circlip Ø 32 |
| 60.99.18.4 | 2.1599.241.0 | 1 | shoulder ring |
| 60.99.18.5 | 2.4019.636.1 | 1 | spring 20.8 x 27.2 x 3.2 x 86.5 |
| 60.99.18.6 | 2.4019.638.1 | 1 | spring 14.2 x 19.4 x 2.6 x 58 |
| 60.99.19 | 2.1560.010.0 | 1 | gasket 14.2 x 20 |
| 60.99.20 | 2.0342.305.2 | 4 | screw m 8 p.1.25 x 20 |
| 60.99.21 | 0.008.3063.0/40 | 1 | spool valve |
| 60.99.22 | 2.1532.505.0 | 1 | oil seal 77.50 x 2.62 |
| 60.99.23 | 0.014.0360.2 | 1 | brake disc |
| 60.99.24 | 2.1599.416.0 | 1 | shoulder ring 50x58x1 |
| 60.99.25 | 2.1419.027.1 | 1 | circlip 48 |
| 60.99.26 | 2.1569.109.0/10 | 3 | gasket 46 x 50 x 2.0 |
| 60.99.28 | 2.1532.150.0 | 1 | oil seal 61.60x2.62 |
| 60.99.29 | 0.255.3926.0/10 | 1 | cover |
| 60.99.30 | 0.013.8983.0 | 1 | disc mm 1.5 |
| 60.99.31 | 0.255.3938.0/40 | 1 | piston |
| 60.99.32 | 2.1539.064.0 | 1 | special oil seal 120.33x2.62 |
| 60.99.33.1 | 0.016.9060.2 | 5 | clutch plate |
| 60.99.33.2 | 0.017.9828.0 | 2 | disc mm 1.55 |
| 60.99.33.3 | 0.013.9453.0 | 3 | disc mm 1.75 |

P.T.O. - ELECTROHYDRAULICALLY CONTROLLED HYDRAULIC CLUTCH

| Fig. | P/n | QTY | Name |
|----------|-----------------|-----|---------------------------------|
| 60.99.35 | 0.255.3922.0/40 | 1 | piston D 84 |
| 60.99.36 | 2.1560.005.0 | 1 | copper gasket 10.2 x 14 |
| 60.99.37 | 2.1560.008.0 | 1 | gasket 12.2 x 18 |
| 60.99.38 | 2.3339.453.2 | 1 | pipe fitting m 12 p.1.25-1/2" |
| 60.99.39 | 2.1599.499.0 | 1 | shoulder ring 110 x 126.5 x 1.2 |
| 60.99.40 | 2.1530.062.0 | 1 | oil seal 23.81 x 2.62 |
| 61 | 2.1599.761.0 | 1 | slewing ring 24x30x2 |



Thank you so much for reading.
Please click the “Buy Now!”
button below to download the
complete manual.



After you pay.

You can download the most
perfect and complete manual in
the world immediately.

Our support email:

ebooklibonline@outlook.com