

Virtus 110

Section: H0 - HYDRAULIC AND PNEUMATIC SYSTEM|

HYDRAULIC SYSTEM FOR SECOND PUMP

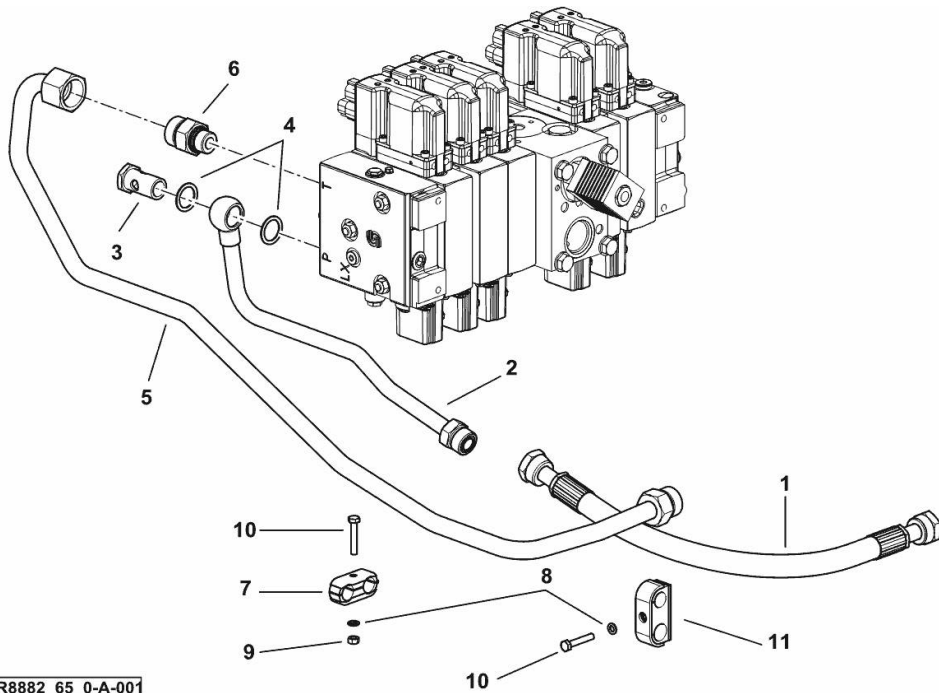
Ref: H0.01.17 (1)

Fig.	P/n	QTY	Name
------	-----	-----	------

Notes:

- FOR TYPES WITH ELECTRICAL REMOTE VALVE CONTROL [Virtus 110 2WD] - FOR TYPES WITH ELECTRICAL REMOTE VALVE CONTROL [Virtus 110 4WD]

1	0.017.8992.3	1	tube
2	0.017.8991.3	1	tube
3	2.3335.009.2	1	pipe union m 22 p.1.5 x 39
4	2.1560.018.0	2	gasket 22.2 x 29
5	0.017.8993.3	1	tube
6	2.3275.016.0	1	pipe fitting m 22
7	2.3321.020.0	1	collar Ø 16/16
8	2.1470.002.2	2	lock washer 6
9	2.1011.103.2	1	nut m 6 p.1
10	2.0112.013.2	2	screw m 6 p.1 x 35
11	2.3320.217.0	1	collar Ø 16/18



9_R8882_65_0-A-001

Virtus 110

Section: H0 - HYDRAULIC AND PNEUMATIC SYSTEM|

Ref: H0.01.18 (1)

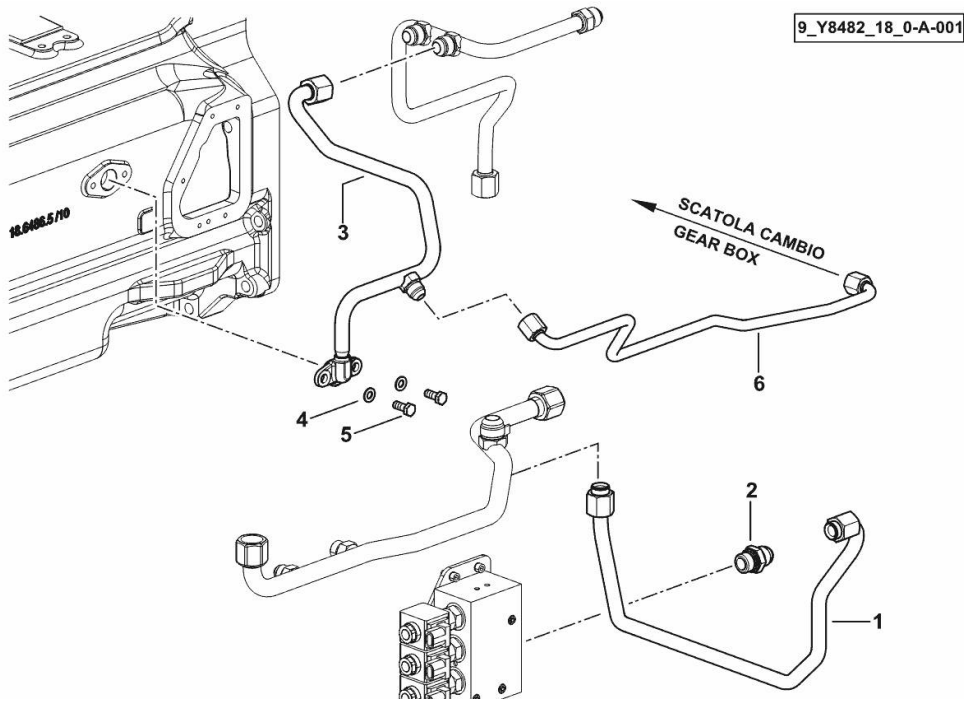
HYDRAULIC SYSTEM PARTS KIT H-M-L

Fig.	P/n	QTY	Name
------	-----	-----	------

Notes:

- POWERSHIFT [Virtus 110 2WD] - POWERSHIFT [Virtus 110 4WD]

1	0.019.3782.3	1	tube
2	2.3249.173.2	1	pipe fitting M/M 7/8 JIC-M22
3	0.019.3783.3/10	1	tube
4	2.1310.004.2	2	flat washer 8.4x17
5	2.0112.207.2	2	screw m 8 p 1.25 x 20
6	0.020.0667.3	1	tube



Virtus 110

Section: H0 - HYDRAULIC AND PNEUMATIC SYSTEM|

Ref: H0.01.19 (1)

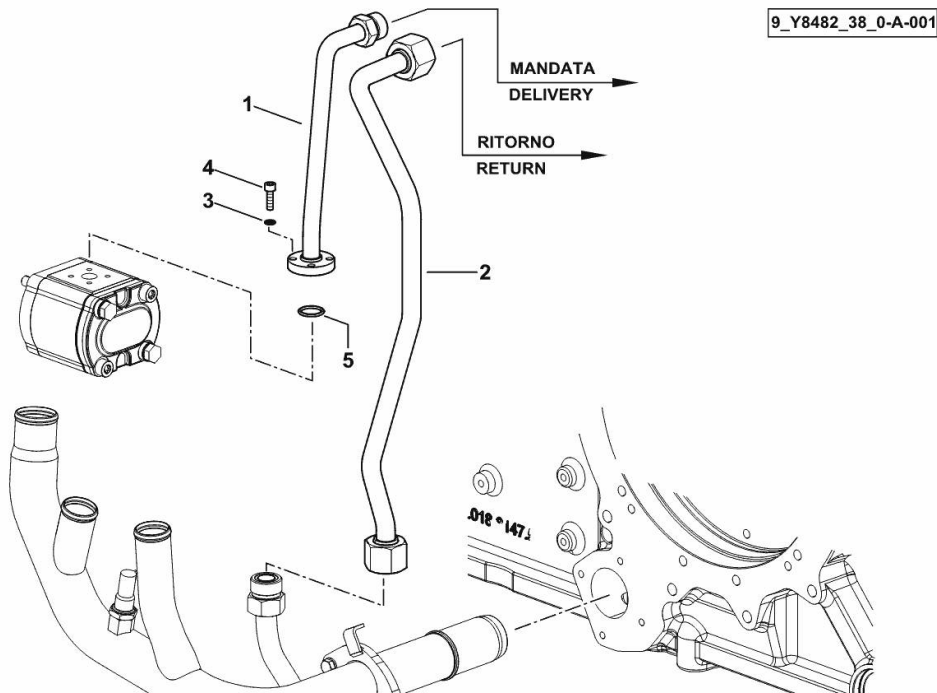
HYDRAULIC SYSTEM PARTS KIT

Fig.	P/n	QTY	Name
------	-----	-----	------

Notes:

- FOR TYPES WITH ELECTRICAL REMOTE VALVE CONTROL [Virtus 110 2WD] - FOR TYPES WITH ELECTRICAL REMOTE VALVE CONTROL [Virtus 110 4WD]

1	0.017.8994.3	1	tube - DELIVERY
2	0.019.5678.3	1	tube - RETURN
3	2.1480.012.2	4	washer 6, d128
4	2.0312.106.2	4	screw m 6 p.1 x 20
5	2.1531.052.0	1	oil seal 20.29 x 2.62



Virtus 110

Section: H0 - HYDRAULIC AND PNEUMATIC SYSTEM|

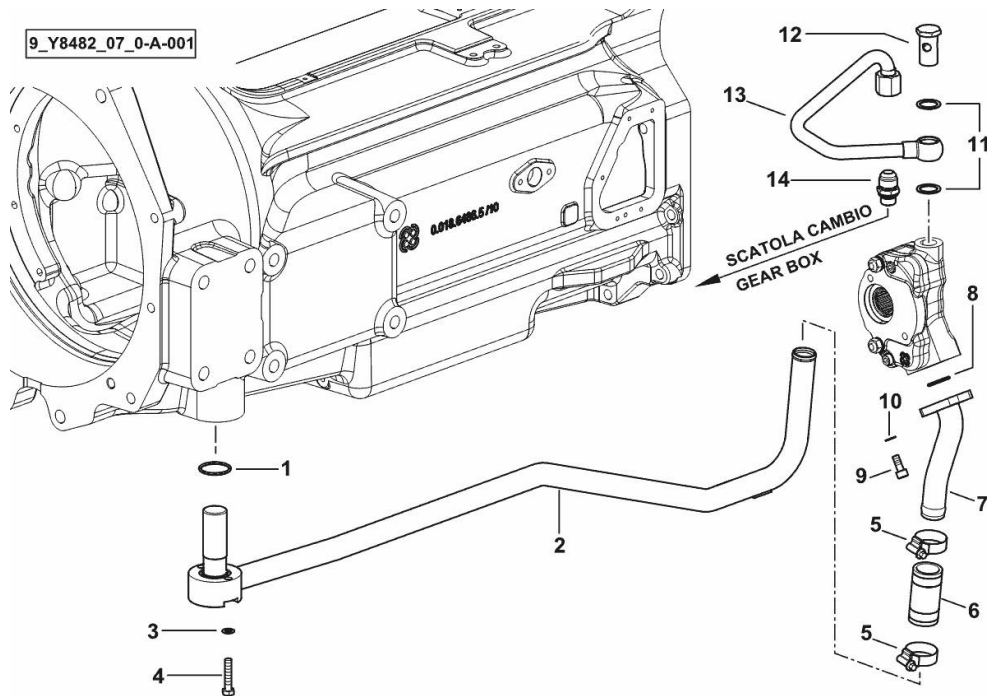
Ref: H0.01.20 (1)

OIL TRANSFER PUMP HYDRAULIC SYSTEM

Fig.	P/n	QTY	Name
------	-----	-----	------

Notes:

[Virtus 110 2WD] [Virtus 110 4WD]



1	2.1531.091.0	1	oil seal 34.60 x 2.62
2	0.018.6201.3	1	tube
3	2.1470.004.2	2	lock washer 8
4	2.0112.215.2	2	screw m 8 p.1.25 x 40
5	2.6851.004.0	2	clamp Ø 32/50
6	2.3213.228.0	1	sleeve
7	0.015.6617.3	1	tube
8	2.1531.062.0	1	oil seal 23.81 x 2.62
9	2.0312.206.2	2	screw m 8 p 1.25 x 20
10	2.1480.014.2	2	washer 8
11	2.1560.018.0	2	gasket 22.2 x 29
12	2.3335.009.2	1	pipe union m 22 p.1.5 x 39
13	0.015.1335.3	1	tube
14	2.3249.141.2	1	pipe fitting 7/8 JIC-M18

Virtus 110

Section: H0 - HYDRAULIC AND PNEUMATIC SYSTEM|

Ref: H0.01.21 (1)

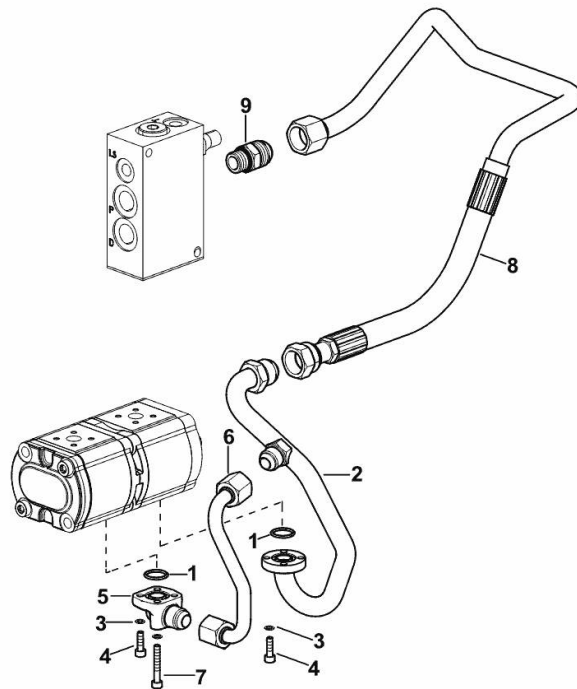
FRONT SUSPENSION DELIVERY LINE

Fig.	P/n	QTY	Name
------	-----	-----	------

Notes:

- 60 LT [Virtus 110 2WD] - 60 LT [Virtus 110 4WD]

1	2.1531.052.0	2	oil seal 20.29 x 2.62
2	0.019.1172.3	1	tube
3	2.1480.012.2	8	washer 6, d128
4	2.0312.106.2	6	screw m 6 p.1 x 20
5	0.008.9626.0	1	pipe fitting
6	0.019.1173.3	1	tube
7	2.0312.114.2	2	screw m 6 p.1x40
8	0.020.2663.3	1	tube
9	2.3249.158.2	1	pipe fitting



9_AG982_49_0-A-001

Virtus 110

Section: H0 - HYDRAULIC AND PNEUMATIC SYSTEM|

Ref: H0.01.22 (1)

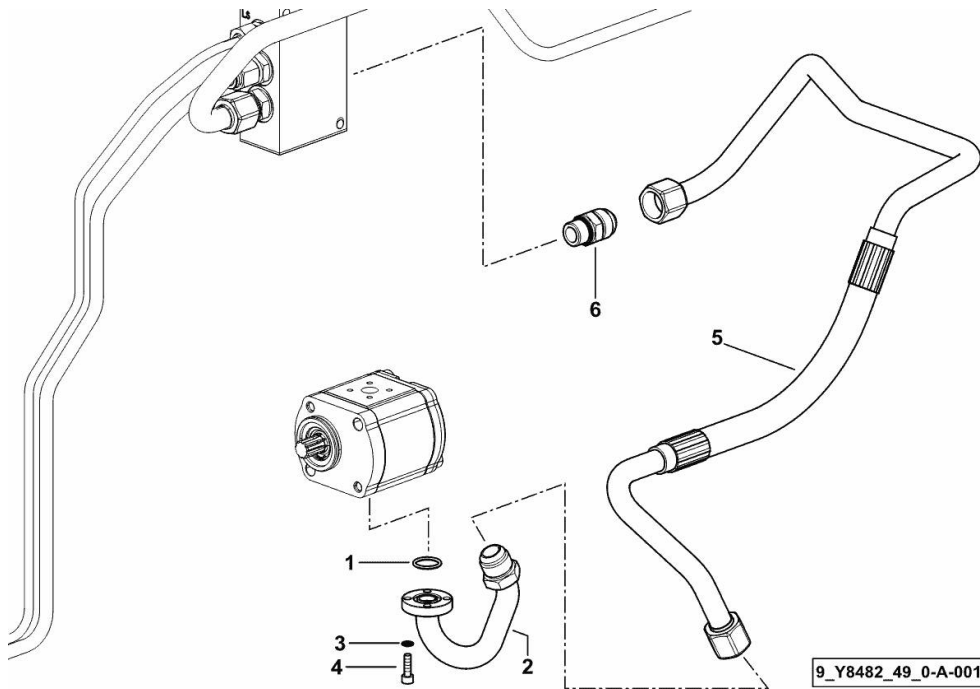
FRONT SUSPENSION DELIVERY LINE

Fig.	P/n	QTY	Name
------	-----	-----	------

Notes:

- 60 LT ECO [Virtus 110 2WD] - 60 LT ECO [Virtus 110 4WD]

1	2.1531.052.0	1	oil seal 20.29 x 2.62
2	0.015.1442.3	1	tube
3	2.1480.012.2	4	washer 6, d128
4	2.0312.106.2	4	screw m 6 p.1 x 20
5	0.019.1206.3	1	tube
6	2.3249.158.2	1	pipe fitting



Virtus 110

Section: H0 - HYDRAULIC AND PNEUMATIC SYSTEM|

Ref: H0.01.23 (1)

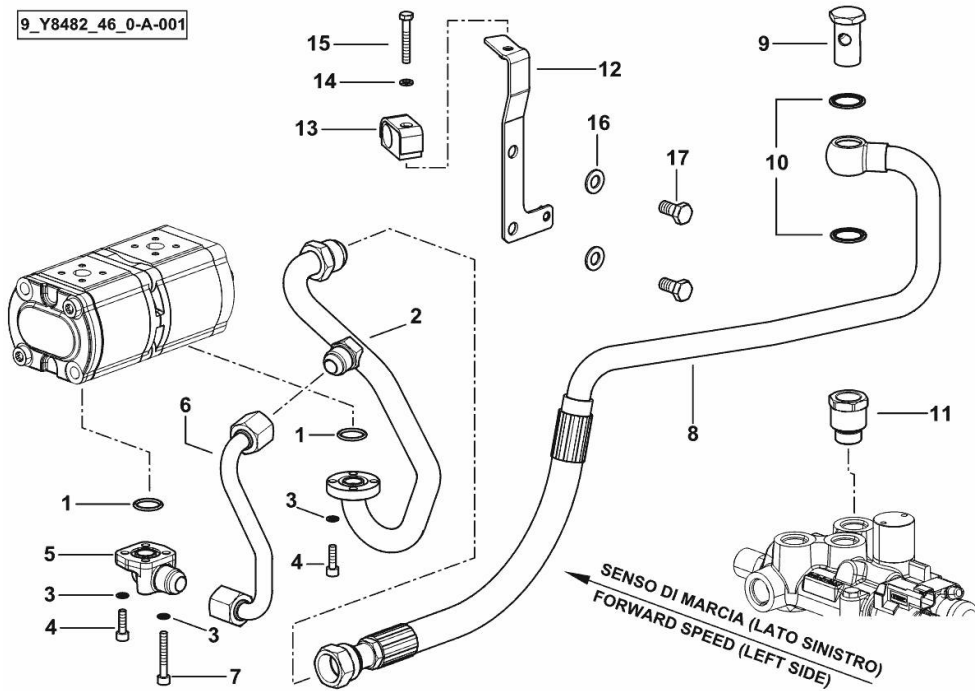
SYSTEM FROM HYDRAULIC PUMP TO HYDRAULIC BRAKES

Fig.	P/n	QTY	Name
------	-----	-----	------

Notes:

- 60 LT [Virtus 110 2WD] - 60 LT [Virtus 110 4WD]

9_Y8482_46_0-A-001



1	2.1531.052.0	2	oil seal 20.29 x 2.62
2	0.019.1172.3	1	tube
3	2.1480.012.2	8	washer 6, d128
4	2.0312.106.2	6	screw m 6 p.1 x 20
5	0.008.9626.0	1	pipe fitting
6	0.019.1173.3	1	tube
7	2.0312.114.2	2	screw m 6 p.1x40
8	0.019.3768.3	1	tube
9	2.3335.009.2	1	pipe union m 22 p.1.5 x 39
10	2.1561.112.0	2	gasket Ø 22 -B-
11	2.3249.465.2	1	pipe fitting m 22 p.1.5
12	0.019.8951.3	1	bracket
13	2.3320.111.0	1	terminal Ø 20
14	2.1470.002.2	1	lock washer 6
15	2.0112.015.2	1	screw m 6 p.1x40
16	2.1475.003.2	2	washer 10
17	2.0113.307.2	2	screw m 10 p 1.5 x 20

Virtus 110

Section: H0 - HYDRAULIC AND PNEUMATIC SYSTEM|

Ref: H0.01.24 (1)

SYSTEM FROM HYDRAULIC PUMP TO HYDRAULIC BRAKES

9_Y8282_46_0-A-001

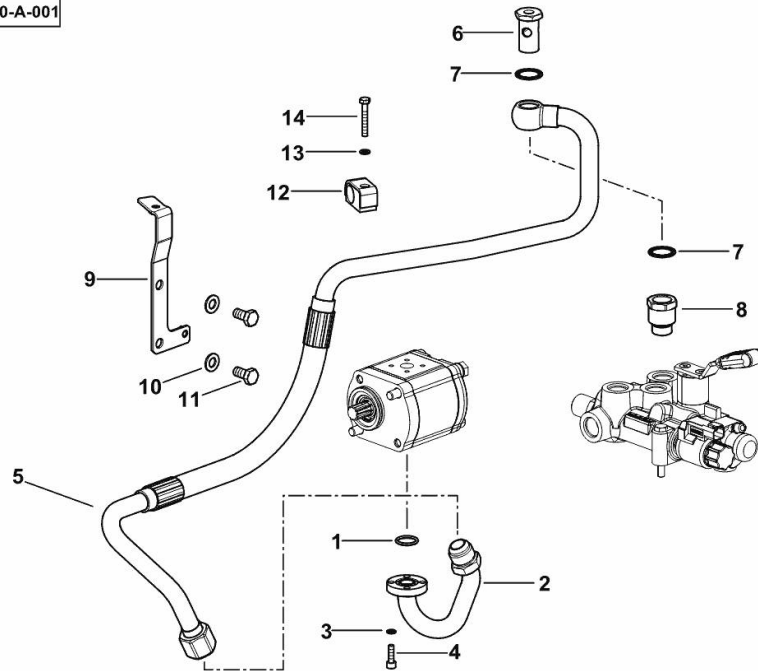


Fig.	P/n	QTY	Name
------	-----	-----	------

Notes:

- 90 LT [Virtus 110 2WD] - 90 LT [Virtus 110 4WD]

1	2.1531.052.0	1	oil seal 20.29 x 2.62
2	0.015.1442.3	1	tube
3	2.1480.012.2	4	washer 6, d128
4	2.0312.106.2	4	screw m 6 p.1 x 20
5	0.017.8368.3	1	tube
6	2.3335.009.2	1	pipe union m 22 p.1.5 x 39
7	2.1561.112.0	2	gasket Ø 22 -B-
8	2.3249.465.2	1	pipe fitting m 22 p.1.5
9	0.019.8951.3	1	bracket
10	2.1475.003.2	2	washer 10
11	2.0112.307.2	2	screw m 10 p.1.5 x 20
12	2.3320.111.0	1	terminal Ø 20
13	2.1470.002.2	1	lock washer 6
14	2.0112.015.2	1	screw m 6 p.1x40

Virtus 110

Section: H0 - HYDRAULIC AND PNEUMATIC SYSTEM|

Ref: H0.01.25 (1)

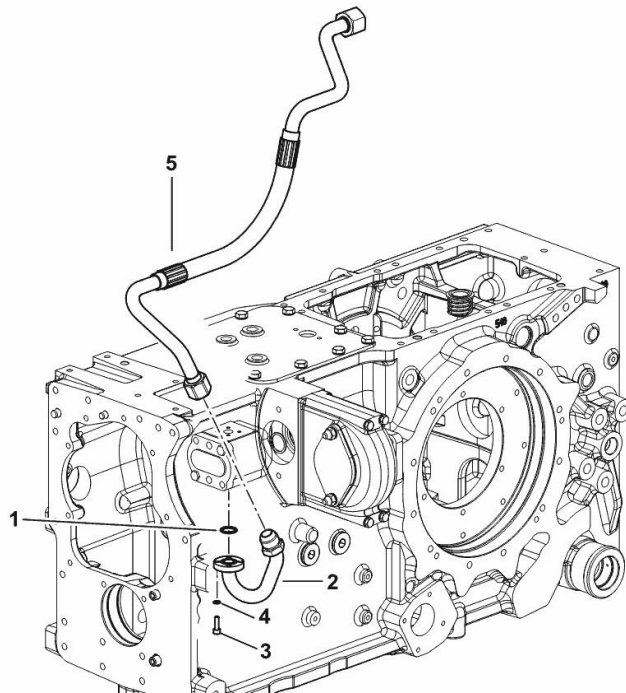
PIPES FROM HYDRAULIC PUMP TO AUXILIARY CONTROL VALVE

Fig.	P/n	QTY	Name
------	-----	-----	------

Notes:

- FOR TYPES WITHOUT HYDRAULIC TRAILER BRAKING [Virtus 110 2WD] - FOR TYPES WITHOUT HYDRAULIC TRAILER BRAKING [Virtus 110 4WD]

1	2.1531.052.0	1	oil seal 20.29 x 2.62
2	0.015.1442.3	1	tube
3	2.1480.012.2	4	washer 6, d128
4	2.0312.106.2	4	screw m 6 p.1 x 20
5	0.017.8342.3	1	tube



9_R8882_42_0-A-001

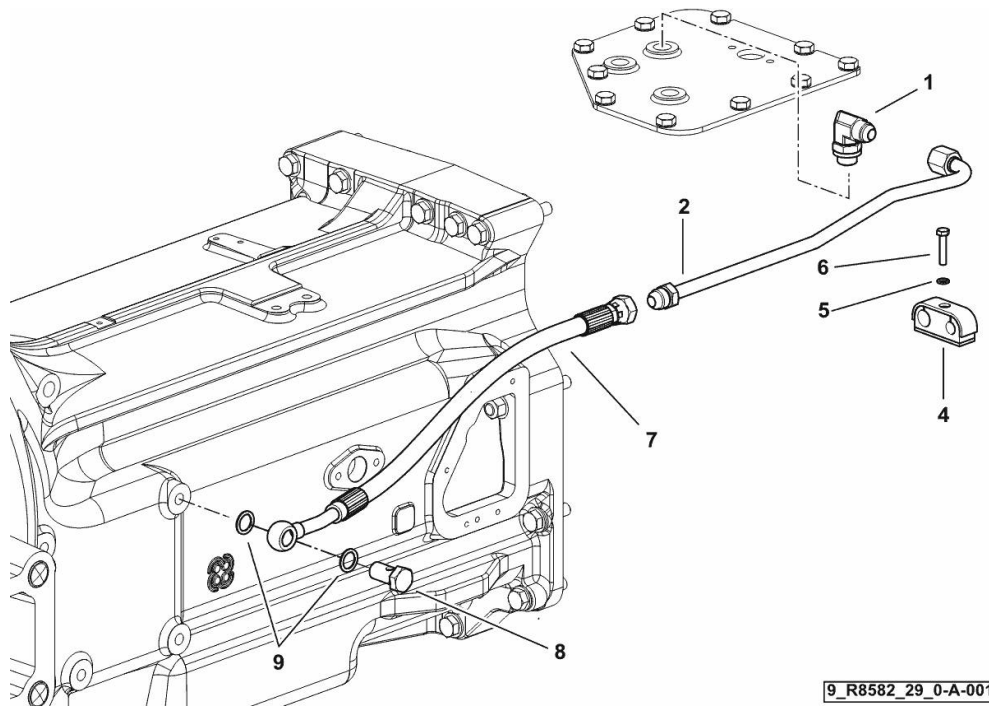
GEARBOX BREATHER SYSTEM

Fig.	P/n	QTY	Name
------	-----	-----	------

Notes:

[Virtus 110 2WD] [Virtus 110 4WD]

1	2.3264.012.2	1	pipe fitting m 18 p.1.5
2	0.017.5722.3	1	tube
4	2.3320.213.0	1	collar Ø 12/16
5	2.1470.002.2	1	lock washer 6
6	2.0112.011.2	1	screw m 6 p.1x30
7	0.015.2326.3	1	tube
8	2.3332.005.2	1	pipe fitting m 16 p.1.5
9	2.1560.012.0	2	gasket 16.2 x 22



9_R8582_29_0-A-001

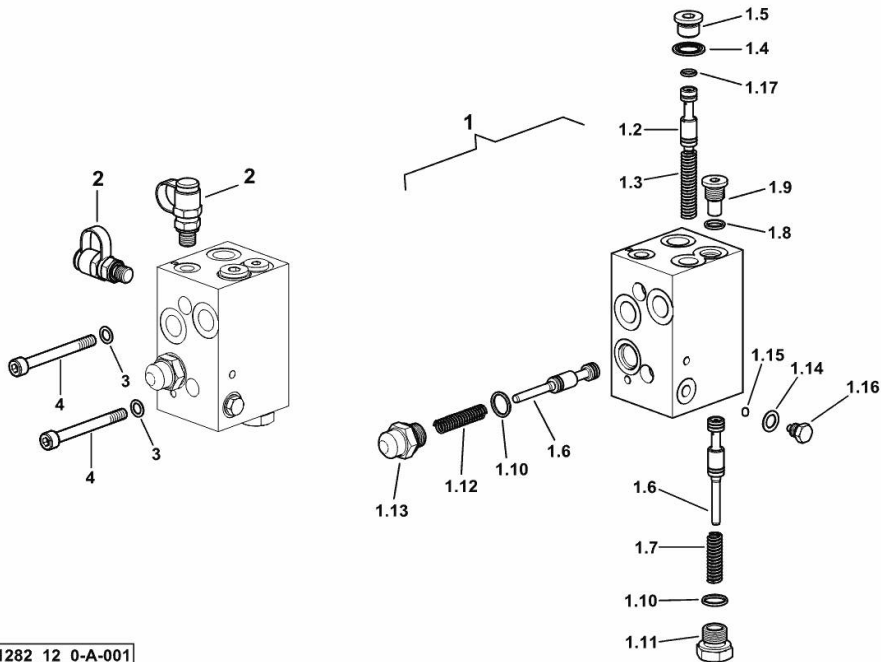
REDUCE AND OLD VALVE

Fig.	P/n	QTY	Name
------	-----	-----	------

Notes:

[Virtus 110 2WD] [Virtus 110 4WD]

1	0.015.0001.4/10	1	valve
1.2	0.015.0236.0	1	slider
1.3	2.4019.431.1/30	1	spring 6.9x11.3x2.2x64
1.4	2.1561.108.0	1	oil seal 16
1.5	2.3120.010.4	1	plug m 16 p.1.5
1.6	0.015.0028.0	2	slider
1.7	2.4019.770.1	1	spring
1.8	2.1539.250.0	1	ring 11.3x2.2
1.9	2.3139.021.2	1	plug m 14
1.10	2.1539.251.0	2	ring 15.3x2.2
1.11	2.3199.331.2	1	plug m 18
1.12	2.4019.428.1	1	spring 10.4x7.2x1.6
1.13	2.3199.330.2	1	plug m 18
1.14	2.1560.006.0	1	gasket 10.2 x 16
1.15	2.2810.002.0	1	ball mm 6.350
1.16	2.3199.252.2	1	plug m 10 p.1.5
1.17	2.1531.016.0	1	ring 8.74 x 1.78
2	2.3729.696.0	2	socket
3	2.1480.014.2	2	washer 8
4	2.0312.221.2	2	screw m 8 p.1.25x75



9_H1282_12_0-A-001

PRESSURE REGULATION SYSTEM

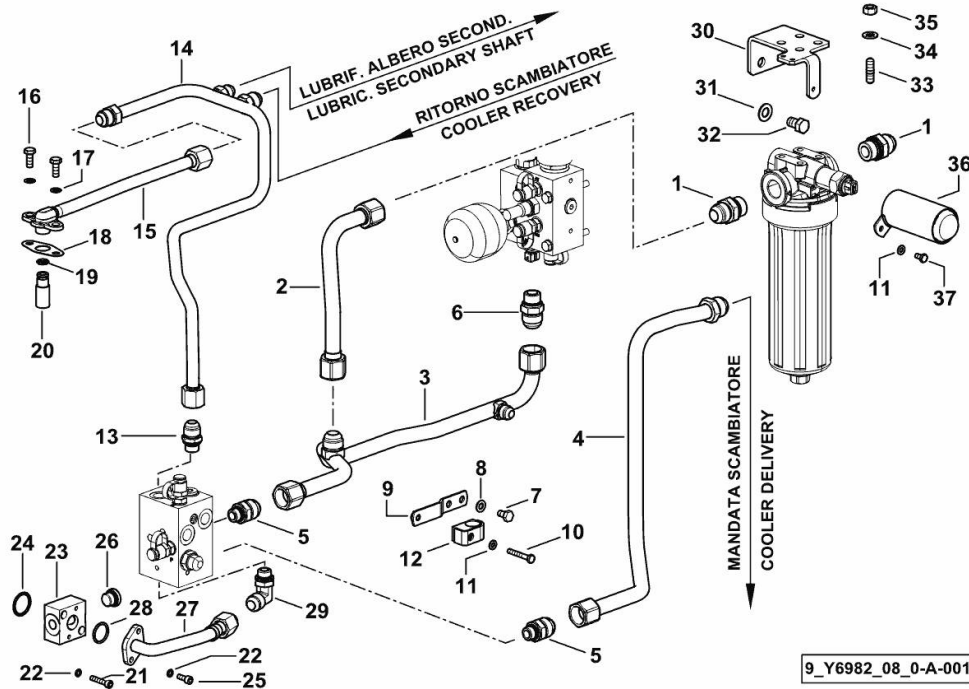


Fig.	P/n	QTY	Name
------	-----	-----	------

Notes:

[Virtus 110 2WD] [Virtus 110 4WD]

1	2.3249.100.2	2	pipe fitting M/M 1-16JIC-G3/4
2	0.019.1261.3	1	tube
3	0.019.0940.3	1	tube
4	0.019.0942.3	1	tube
5	2.3249.148.2	2	pipe fitting m 18 - 1/16" JIC
6	2.3249.158.2	1	pipe fitting
7	2.0112.204.2	2	screw m 8 p.1.25x14
8	2.1310.004.2	2	flat washer 8.4x17
9	0.019.0948.3	1	bracket
10	2.0112.015.2	1	screw m 6 p.1x40
11	2.1310.002.2	2	flat washer 6.4x12.5
12	2.3320.111.0	1	terminal Ø 20
13	2.3249.141.2	1	pipe fitting 7/8 JIC-M18
14	0.019.0952.3/10	1	tube
15	0.018.6217.3	1	tube
16	2.0112.207.2	2	screw m 8 p 1.25 x 20
17	2.1560.004.0	2	copper gasket 8.2 x 14
18	0.052.1558.0/10	1	gasket
19	2.1531.024.0	1	oil seal 10.77x2.62
20	0.008.3750.0	1	tube
21	2.0312.110.2	2	screw
22	2.1480.012.2	4	washer 6, d128
23	0.019.0946.0	1	small block
24	2.1532.075.0	1	ring
25	2.0312.104.2	2	screw m 6 p.1 x 16
26	04454782	1	plug m 18 p.1.5
27	0.019.0945.3/10	1	tube
28	2.1531.062.0	1	oil seal 23.81 x 2.62
29	2.3264.018.2	1	pipe fitting m 18 p.1.5
30	0.019.1058.0	1	bracket
31	2.1475.004.2	2	spring washer 12
32	2.0112.407.2	2	screw m 12 p.1.75 x 20
33	2.0432.153.7	4	stud bolt m 10 p.1.5 / p.1.25 x 20
34	2.1310.006.2	4	flat washer 10.5x21
35	2.1011.421.2	4	nut m 10 p.1.25
36	0.019.4482.2	1	tube
37	2.0112.003.2	1	screw m 6 p.1 x 12

Virtus 110

Section: H0 - HYDRAULIC AND PNEUMATIC SYSTEM|

Ref: H0.01.29 (1)

PRESSURE REGULATION SYSTEM H-M-L

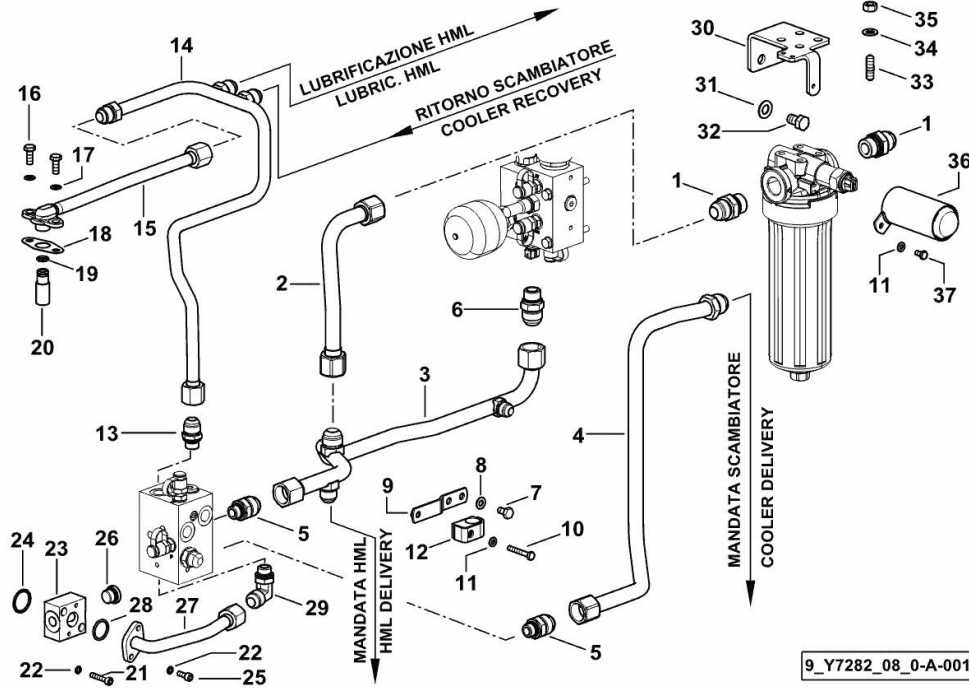


Fig.	P/n	QTY	Name
------	-----	-----	------

Notes:

(GEARSHIFT) [Virtus 110 2WD] (GEARSHIFT) [Virtus 110 4WD]

1	2.3249.100.2	2	pipe fitting M/M 1-16JIC-G3/4
2	0.019.1261.3	1	tube
3	0.020.0636.3	1	tube
4	0.019.0942.3	1	tube
5	2.3249.148.2	2	pipe fitting m 18 - 1/16" JIC
6	2.3249.158.2	1	pipe fitting
7	2.0112.204.2	2	screw m 8 p.1.25x14
8	2.1310.004.2	2	flat washer 8.4x17
9	0.019.0948.3	1	bracket
10	2.0112.015.2	1	screw m 6 p.1x40
11	2.1310.002.2	2	flat washer 6.4x12.5
12	2.3320.111.0	1	terminal Ø 20
13	2.3249.141.2	1	pipe fitting 7/8 JIC-M18
14	0.019.1008.3/10	1	tube
15	0.018.6217.3	1	tube
16	2.0112.207.2	2	screw m 8 p 1.25 x 20
17	2.1560.004.0	2	copper gasket 8.2 x 14
18	0.052.1558.0/10	1	gasket
19	2.1531.024.0	1	oil seal 10.77x2.62
20	0.008.3750.0	1	tube
21	2.0312.110.2	2	screw
22	2.1480.012.2	4	washer 6, d128
23	0.019.0946.0	1	small block
24	2.1532.075.0	1	ring
25	2.0312.104.2	2	screw m 6 p.1 x 16
26	04454782	1	plug m 18 p.1.5
27	0.019.0945.3/10	1	tube
28	2.1531.062.0	1	oil seal 23.81 x 2.62
29	2.3264.018.2	1	pipe fitting m 18 p.1.5
30	0.019.1058.0	1	bracket
31	2.1475.004.2	2	spring washer 12
32	2.0112.407.2	2	screw m 12 p.1.75 x 20
33	2.0432.153.7	4	stud bolt m 10 p.1.5 / p.1.25 x 20
34	2.1310.006.2	4	flat washer 10.5x21
35	2.1011.421.2	4	nut m 10 p.1.25
36	0.019.4482.2	1	tube
37	2.0112.003.2	1	screw m 6 p.1 x 12

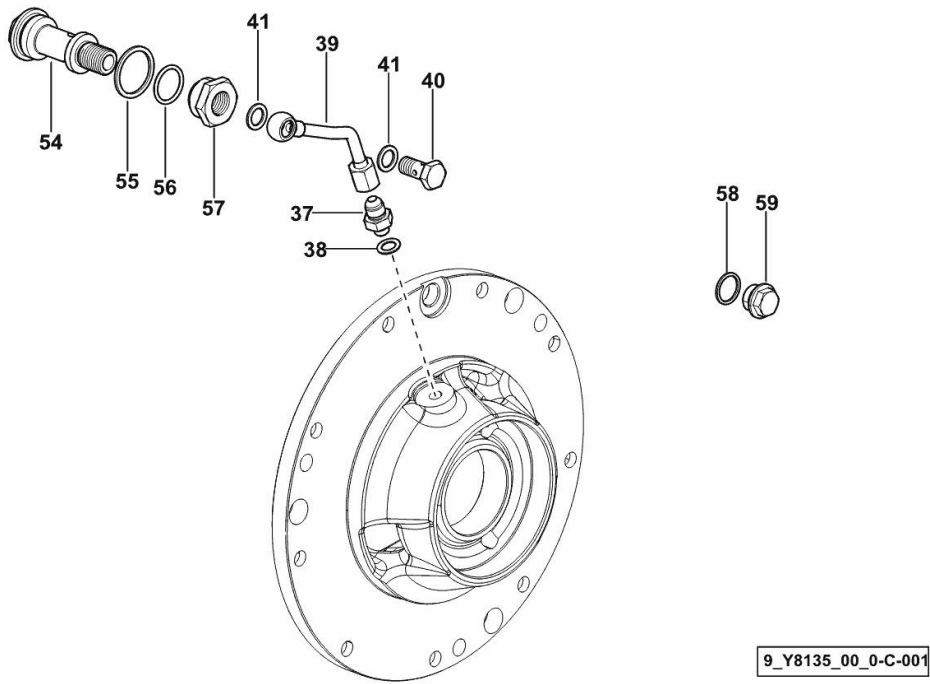
REAR DIFFERENTIAL LOCK

Fig.	P/n	QTY	Name
------	-----	-----	------

Notes:

- FOR TYPES WITH SBA / ASM [Virtus 110 4WD] 10056 <-

37	2.3261.003.2	1	pipe fitting m 10 p.1.25 - 1/2"
38	2.1560.006.0	1	gasket 10.2 x 16
39	0.008.4348.3/20	1	tube
40	2.3330.003.1	1	pipe union m 12 p.1.5
41	2.1560.008.0	2	gasket 12.2 x 18
54	0.008.5903.0/20	1	pipe union
55	2.1560.023.0	1	copper gasket 30.3 x 36
56	2.1530.058.0	1	oil seal 22.22x2.62
57	0.008.5904.0/10	1	plug
58	2.1560.014.0	1	washer 18.2 x 24
59	2.3110.405.2	1	plug m 18 p.1.5 x 15



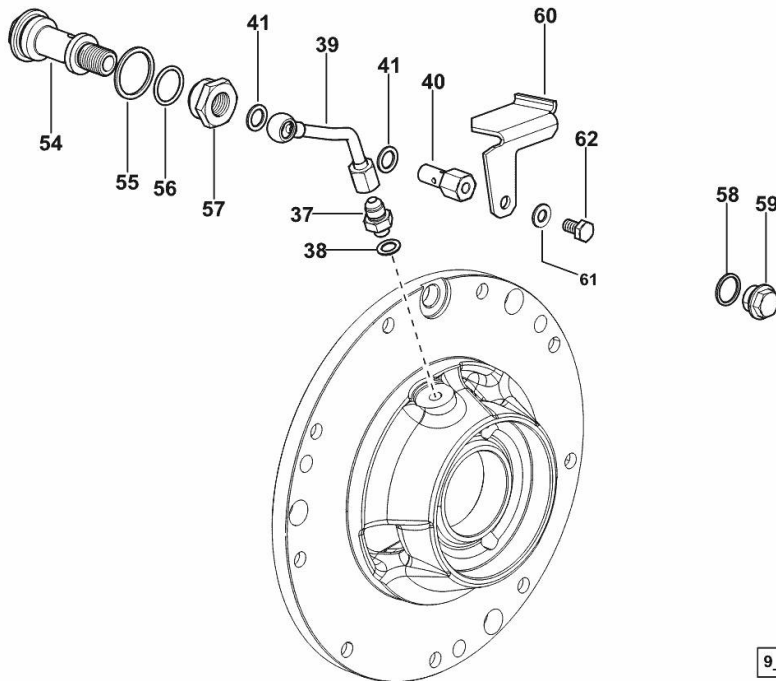
REAR DIFFERENTIAL LOCK

Fig.	P/n	QTY	Name
------	-----	-----	------

Notes:

- FOR TYPES WITH SBA / ASM [Virtus 110 4WD] -> 10064

37	2.3261.003.2	1	pipe fitting m 10 p.1.25 - 1/2"
38	2.1560.006.0	1	gasket 10.2 x 16
39	0.008.4348.3/20	1	tube
40	2.3249.750.2	1	pipe union
41	2.1560.008.0	2	gasket 12.2 x 18
54	0.008.5903.0/20	1	pipe union
55	2.1560.023.0	1	copper gasket 30.3 x 36
56	2.1530.058.0	1	oil seal 22.22x2.62
57	0.008.5904.0/10	1	plug
58	2.1560.014.0	1	washer 18.2 x 24
59	2.3110.405.2	1	plug m 18 p.1.5 x 15
60	0.021.0099.0	1	division
61	2.1310.004.2	1	flat washer 8.4x17
62	2.0112.204.2	1	screw m 8 p.1.25x14



9_Y8135_00_0-C-002

Thank you so much for reading.
Please click the “Buy Now!”
button below to download the
complete manual.



After you pay.

You can download the most
perfect and complete manual in
the world immediately.

Our support email:

ebooklibonline@outlook.com