

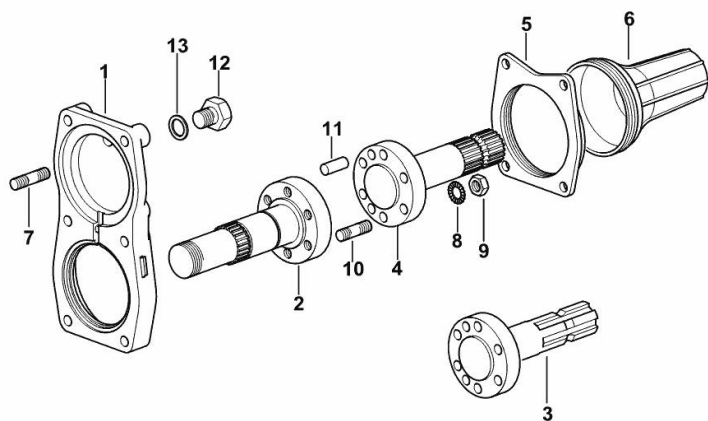
P.T.O. - WITH INSERTED END SHAFTS

Fig.	P/n	QTY	Name
------	-----	-----	------

Notes:

[Virtus 120 -> ZKDY7302W0TS10001]

1	0.008.4061.0/30	1	cover (10085 <-)
1	0.008.4061.0/40	1	cover
2	0.008.4060.0/50	1	power take-off shaft
3	0.167.3660.0/30	1	power take-off shaft 1" 3/8, Z = 6
4	0.163.3671.0/40	1	power take-off shaft 1" 3/8, Z = 21
5	0.445.3151.0/10	1	flange
6	0.008.0757.0	1	guard
7	2.0432.163.7	6	stud bolt m 10 p.1.5 / p.1.25 x 45
8	2.1470.006.2	12	lock washer 10
9	2.1012.421.7	12	nut m 10 p.1.25
10	2.0433.155.7	6	stud bolt m 10 p.1.25 x 25
11	2.1651.811.0	2	cylindrical plug 10x24
12	2.3110.403.1	1	plug m 14 p.1.5x12
13	2.1560.010.0	1	gasket 14.2 x 20



9_B8636_04_0-A-001

P.T.O. - 2 SPEED TYPE

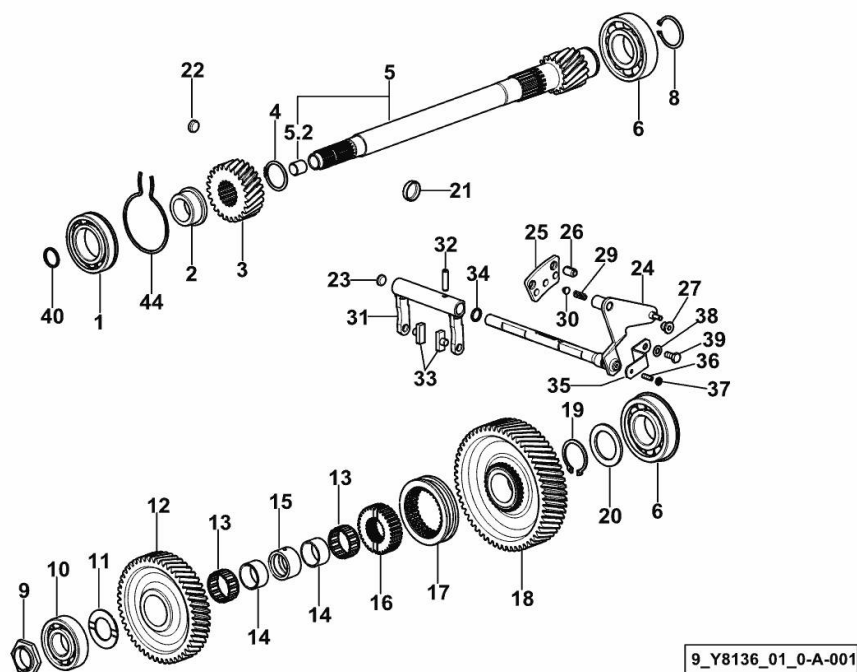


Fig.	P/n	QTY	Name
------	-----	-----	------

Notes:

[Virtus 120 -> ZKDY7302W0TS10001]

1	2.2999.204.0	1	special bearing 50 x 90 x 20
2	0.008.5882.0	1	special bushing
3	0.018.4279.0	1	gear Z = 25
4	2.1410.016.1	1	circlip 40
5	0.018.4281.3/10	1	power take-off shaft
5.2	2.1559.023.0/10	1	special bushing 15.8x19x20
6	2.2062.013.0	2	ball bearing 45x100x25
8	2.1410.018.7	1	circlip 45
9	0.255.3661.0	1	ring nut m 35x1.5
10	2.2060.011.0	1	ball bearing 35 x 80 x 21
11	2.1599.502.0/10	1	shoulder ring 35x60x3
12	0.018.4278.0	1	gear Z = 49
13	2.2770.074.0	2	roller cage 40x48x20
14	2.1559.228.0	2	special bushing 35 x 40 x 20.5
15	2.1549.274.0	1	spacer 35x45x25
16	0.007.7903.0	1	hub Z = 32
17	0.007.7902.0	1	sleeve
18	0.018.4277.0	1	gear Z = 58
19	2.1412.017.7	1	circlip 45
20	2.1589.323.0	1	shoulder ring 45x65x4
21	2.3171.012.4	1	plug Ø 30
22	2.3171.007.4	1	plug Ø 18
23	2.3171.006.4	1	plug Ø 16
24	0.019.1030.2/10	1	lever
25	0.014.8955.0/20	1	small plate
26	2.1630.910.2	2	pin 12 x 20
27	2.0319.007.2	1	screw m 12 p.1.5
29	2.4019.622.1	1	spring 6.3 x 9.5 x 1.6 x 22.4
30	0.015.1844.0	1	pin
31	0.015.6011.2	1	fork
32	2.1630.713.0	1	roll pin 8x32
33	0.255.6463.0	2	shoe
34	2.1530.038.0	1	oil seal 15.54x2.62
35	0.014.8971.0	1	small plate
36	2.0532.108.7	1	grub screw m6x1x20
37	2.1011.203.2	1	nut m 6 p.1
38	2.1475.002.2	1	conical washer 8
39	2.0112.206.2	1	screw m 8 p.1.25 x 18
40	2.1530.062.0	1	oil seal 23.81 x 2.62
44	2.1499.123.1/10	1	circlip 86 x 2.46

4 SPEED P.T.O.

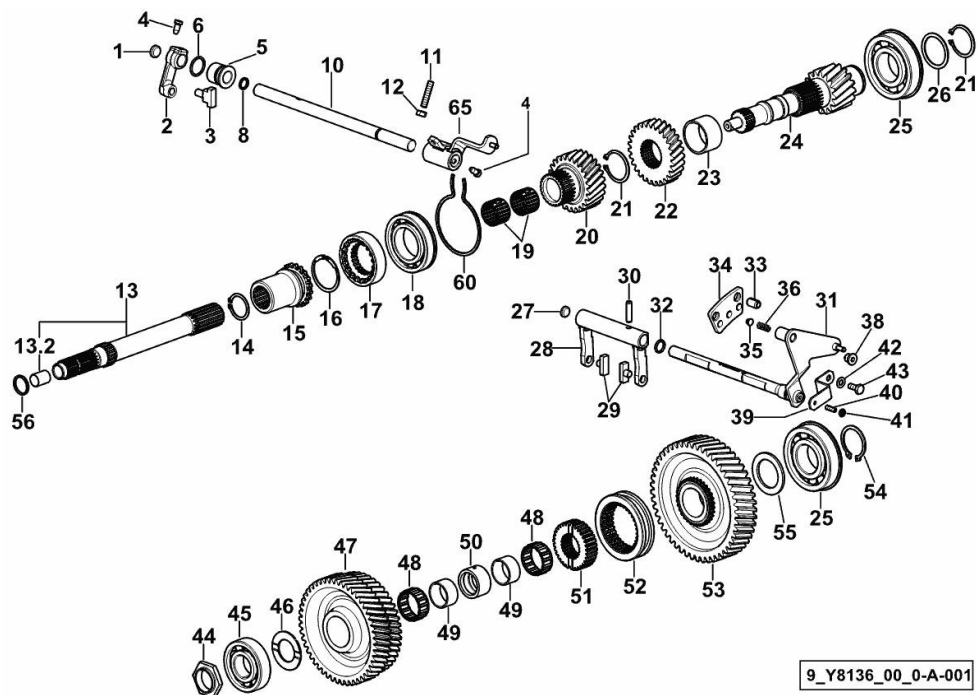


Fig.	P/n	QTY	Name
------	-----	-----	------

Notes:

[Virtus 120 -> ZKDY7302W0TS10001]

1	2.3171.007.4	1	plug Ø 18
2	0.007.3492.0	1	small lever
3	0.008.4412.0	1	shoe
4	2.0399.019.1	2	screw m 8 p.1 x 16
5	0.008.4379.0	1	special bushing
6	2.1530.066.0	1	oil seal 25.07x2.62
8	2.1530.033.0	1	oil seal 13.10x2.62
10	0.020.0142.0	1	rod
11	2.0512.216.2	2	screw m 8 x 40
12	2.1011.105.2	2	nut m 8 p.1.25
13	0.008.4054.3/40	1	power take-off shaft
13.2	2.1559.023.0/10	2	special bushing 15.8x19x20
14	2.1410.014.1	1	circlip 35
15	0.008.4618.0	1	sleeve
16	2.1499.085.0	1	circlip 45.8
17	0.008.4619.0	1	crown wheel
18	2.2999.204.0	1	special bearing 50 x 90 x 20
19	2.2999.219.0	2	roller cage 32x37x25
20	0.018.4283.0	1	gear Z = 25
21	2.1410.018.7	2	circlip 45
22	0.018.4282.0	1	gear Z = 28
23	2.1579.968.0	1	spacer 45.5x52x30
24	0.008.5847.0/30	1	power take-off shaft
25	2.2062.013.0	2	ball bearing 45x100x25
26	2.1599.541.0	1	shoulder ring 45x55x2
27	2.3171.006.4	1	plug Ø 16
28	0.015.6011.2	1	fork
29	0.255.6463.0	2	shoe
30	2.1630.713.0	1	roll pin 8x32
31	0.019.1030.2/10	1	lever
32	2.1530.038.0	1	oil seal 15.54x2.62
33	2.1630.910.2	2	pin 12 x 20
34	0.014.8955.0/20	1	small plate
35	0.015.1844.0	1	pin
36	2.4019.622.1	1	spring 6.3 x 9.5 x 1.6 x 22.4
38	2.0319.007.2	1	screw m 12 p.1.5
39	0.014.8971.0	1	small plate
40	2.0532.108.7	1	grub screw m6x1x20
41	2.1011.203.2	1	nut m 6 p.1
42	2.1475.002.2	1	conical washer 8
43	2.0112.206.2	1	screw m 8 p.1.25 x 18

4 SPEED P.T.O.

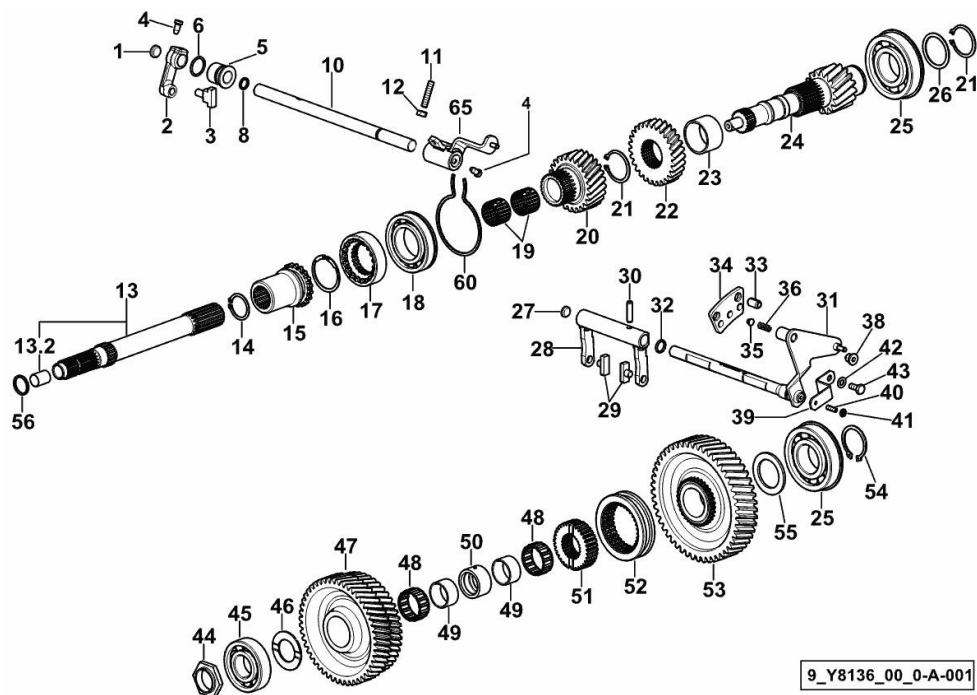


Fig.	P/n	QTY	Name
44	0.255.3661.0	1	ring nut m 35x1.5
45	2.2060.011.0	1	ball bearing 35 x 80 x 21
46	2.1599.502.0/10	1	shoulder ring 35x60x3
47	0.018.4284.0	1	gear Z = 46 / 49
48	2.2770.074.0	2	roller cage 40x48x20
49	2.1559.228.0	2	special bushing 35 x 40 x 20.5
50	2.1549.274.0	1	spacer 35x45x25
51	0.007.7903.0	1	hub Z = 32
52	0.007.7902.0	1	sleeve
53	0.007.7901.0/10	1	gear Z = 49 / Z = 32
54	2.1412.017.7	1	circlip 45
55	2.1589.323.0	1	shoulder ring 45x65x4
56	2.1530.062.0	1	oil seal 23.81 x 2.62
60	2.1499.123.1/10	1	circlip 86 x 2.46
65	0.020.0138.3	1	lever

ROAD P.T.O. SHAFT

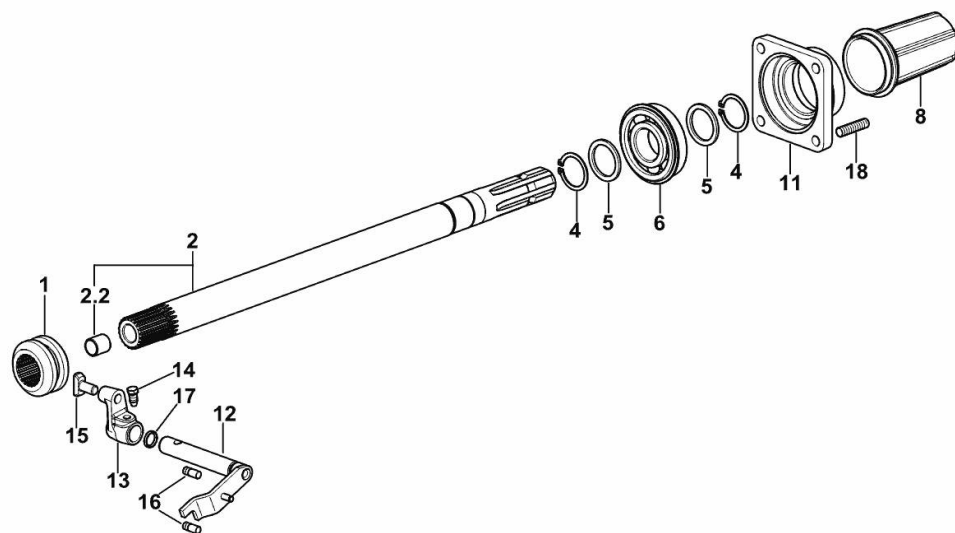


Fig.	P/n	QTY	Name
------	-----	-----	------

Notes:

[Virtus 120 -> ZKDY7302W0TS10001]

1	0.008.4617.0	1	sleeve
2	0.008.4124.3/50	1	power take-off shaft
2.2	2.1559.023.0/10	1	special bushing 15.8x19x20
4	2.1410.014.1	2	circlip 35
5	2.1599.874.0	2	washer 35 x 45 x 3.0
6	2.2062.011.0	1	ball bearing 35 x 80 x 21
8	0.154.3655.0/10	1	guard
11	0.008.4062.0/10	1	cover
12	0.019.0876.3	1	lever
13	0.255.3470.0	1	lever
14	2.0399.019.1	1	screw m 8 p.1 x 16
15	0.001.5945.0/10	1	shoe
16	2.0439.002.1	2	stud bolt m 8 p.1.25 x 20
17	2.1530.033.0	1	oil seal 13.10x2.62
18	2.0432.155.7	4	stud bolt m 10 p.1.5 / p. 1.25 x 25

9_Y8136_02_0-A-001

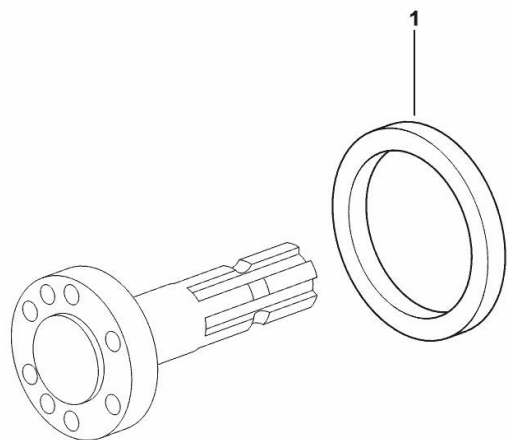
PTO - SEAL RING FOR INSERTED END SHAFT - STANDARD VERSION

Fig.	P/n	QTY	Name
------	-----	-----	------

Notes:

[Virtus 120 -> ZKDY7302W0TS10001]

1	2.1520.043.0	1	oil seal 85 x 110 x 12
---	--------------	---	------------------------



9_52636_03_0-A-001

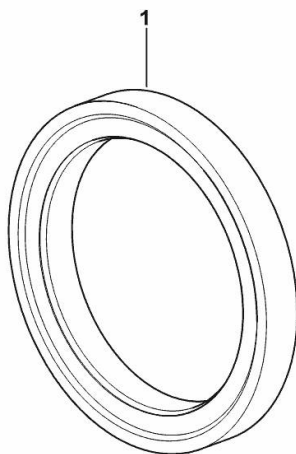
WATERPROOF OIL SEAL FOR PTO WITH REMOVABLE OUTPUT SHAFTS

Fig.	P/n	QTY	Name
------	-----	-----	------

Notes:

[Virtus 120 -> ZKDY7302W0TS10001]

1	2.1529.183.0	1	special oil seal
---	--------------	---	------------------



9_Y8136_04_0-A-001

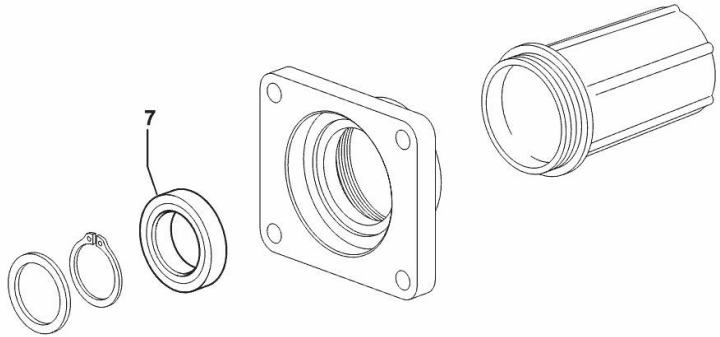
P.T.O. - SYNCHRONIZED - WITH STANDARD SEALS

Fig.	P/n	QTY	Name
------	-----	-----	------

Notes:

[Virtus 120 -> ZKDY7302W0TS10001]

7	2.1520.017.0	1	oil seal 35x55x11
---	--------------	---	-------------------



9_52636_04_0-A-001

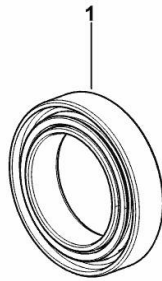
WATERPROOF OIL SEAL FOR GROUND SPEED PTO

Fig.	P/n	QTY	Name
------	-----	-----	------

Notes:

[Virtus 120 -> ZKDY7302W0TS10001]

1	2.1529.107.0	1	special oil seal 35x55x12.5
---	--------------	---	-----------------------------



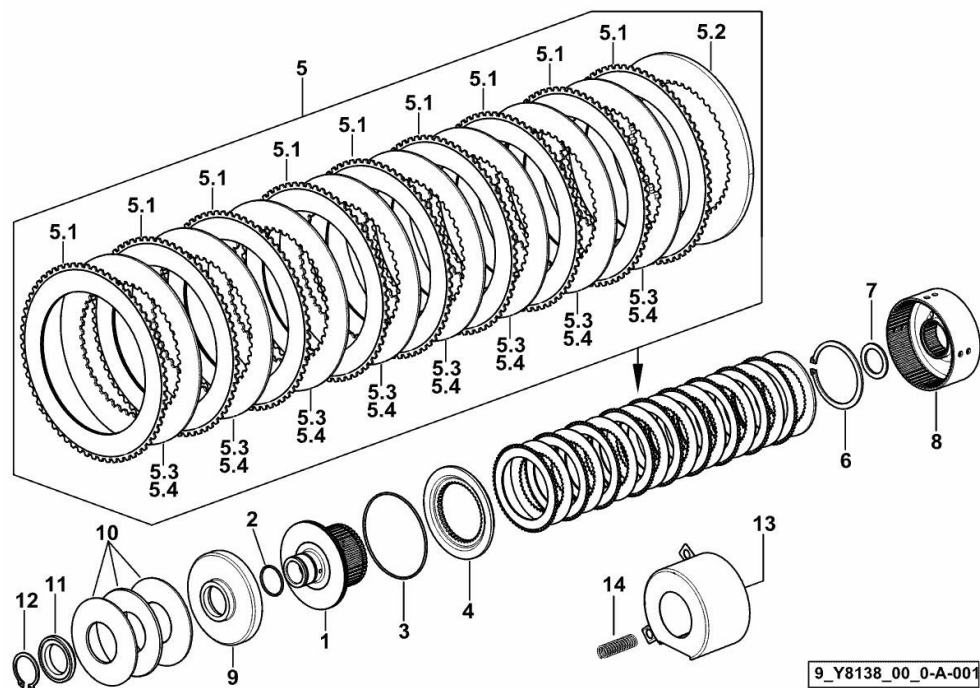
9_Y8136_05_0-A-001

4WD - ELECTROHYDRAULIC ENGAGEMENT CONTROL

Fig.	P/n	QTY	Name
------	-----	-----	------

Notes:

- FOR TYPES WITH SBA / ASM [Virtus 120 -> ZKDY7302W0TS10001] 10085 <-



9_Y8138_00_0-A-001

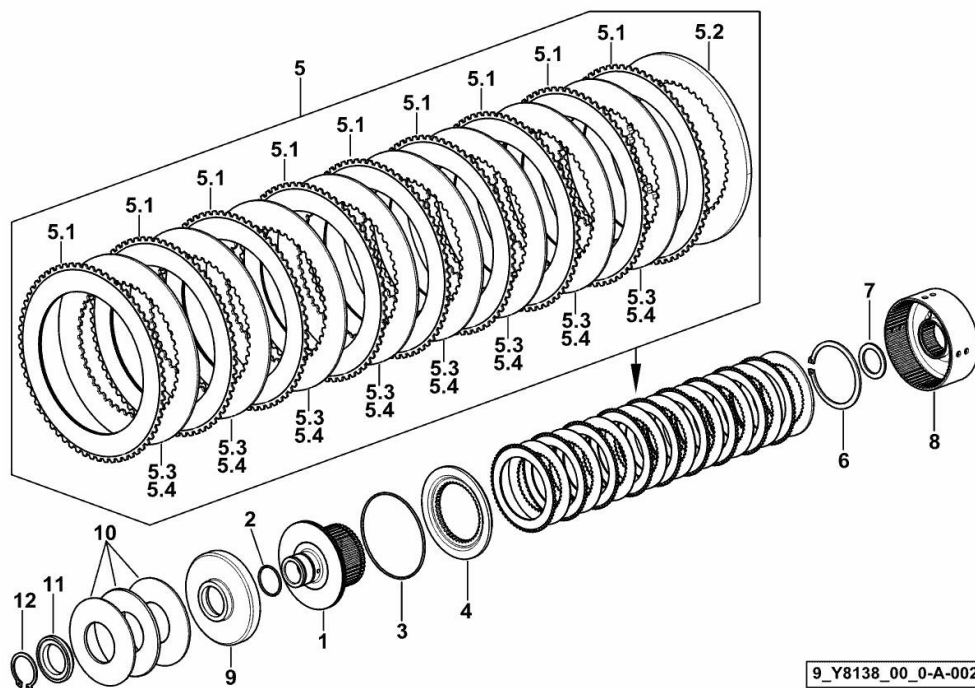
1	0.018.9455.2	1	hub
2	2.1532.102.0	1	oil seal 39.42x2.62
3	2.1532.502.0	1	oil seal 120.32x2.62
4	0.018.8706.0	1	disc mm 12
5	0.019.5119.3	1	clutch assy
5.1	0.018.8872.2	9	clutch plate
5.2	0.018.8887.0	1	disc mm 4
5.3	0.018.8886.0	4	disc mm 1.7
5.4	0.018.8873.0	4	disc mm 1.5
6	2.1410.036.2	1	circlip 90
7	2.1599.924.0	1	slewing ring 52x37x3.5
8	0.018.9432.0/10	1	box
9	0.018.9456.0	1	piston
10	2.1499.261.7	3	spring 130x60
11	0.018.9465.0	1	spacer
12	2.1412.017.7	1	circlip 45
13	0.018.6696.2/10	1	guard
14	2.4019.472.2	1	spring

4WD - ELECTROHYDRAULIC ENGAGEMENT CONTROL

Fig.	P/n	QTY	Name
------	-----	-----	------

Notes:

- FOR TYPES WITH SBA / ASM [Virtus 120 -> ZKDY7302W0TS10001]



1	0.018.9455.2	1	hub
2	2.1532.102.0	1	oil seal 39.42x2.62
3	2.1532.502.0	1	oil seal 120.32x2.62
4	0.018.8706.0	1	disc mm 12
5	0.019.5119.3	1	clutch assy
5.1	0.018.8872.2	9	clutch plate
5.2	0.018.8887.0	1	disc mm 4
5.3	0.018.8886.0	4	disc mm 1.7
5.4	0.018.8873.0	4	disc mm 1.5
6	2.1410.036.2	1	circlip 90
7	2.1599.924.0	1	slewing ring 52x37x3.5
8	0.018.9432.0/10	1	box
9	0.018.9456.0	1	piston
10	2.1499.261.7	3	spring 130x60
11	0.018.9465.0	1	spacer
12	2.1412.017.7	1	circlip 45

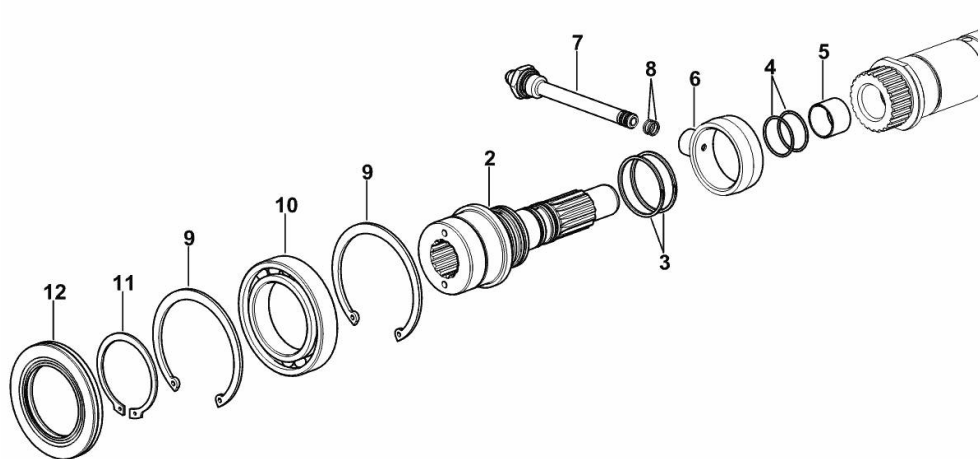
4WD - ELECTROHYDRAULIC ENGAGEMENT CONTROL

Fig.	P/n	QTY	Name
------	-----	-----	------

Notes:

- FOR TYPES WITH SBA / ASM [Virtus 120 -> ZKDY7302W0TS10001] 10085 <-

2	0.018.9695.3	1	shaft
3	2.1569.109.0/10	2	gasket 46 x 50 x 2.0
4	2.1539.154.0	2	special oil seal 28.3x1.78
5	2.1555.314.0	1	bushing 25x28x20
6	0.020.0047.0	1	manifold
7	2.3249.647.2/10	1	pipe fitting
8	2.1530.019.0	2	oil seal 9.25x1.78
9	2.1411.038.1	2	circlip 95
10	2.2030.013.0	1	ball bearing 60x95x18
11	2.1410.024.1	1	circlip Ø 60 mm
12	0.008.4624.0	1	special oil seal 60x95x10



9_Y8138_01_0-C-001

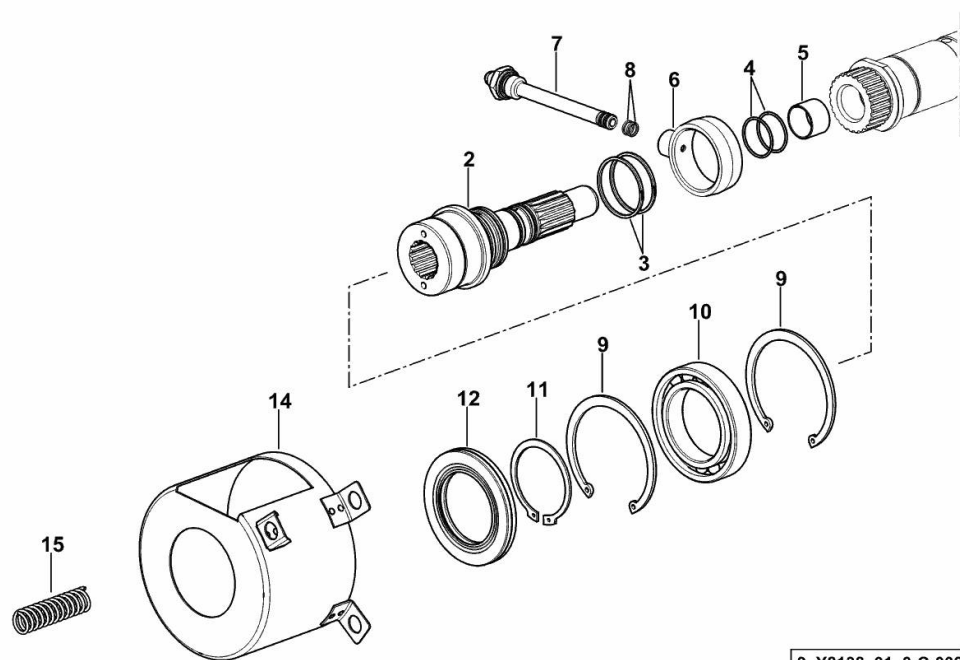
4WD - ELECTROHYDRAULIC ENGAGEMENT CONTROL

Fig.	P/n	QTY	Name
------	-----	-----	------

Notes:

- FOR TYPES WITH SBA / ASM [Virtus 120 -> ZKDY7302W0TS10001]

2	0.018.9695.3	1	shaft
3	2.1569.109.0/10	2	gasket 46 x 50 x 2.0
4	2.1539.154.0	2	special oil seal 28.3x1.78
5	2.1555.314.0	1	bushing 25x28x20
6	0.020.0047.0	1	manifold
7	2.3249.647.2/10	1	pipe fitting
8	2.1530.019.0	2	oil seal 9.25x1.78
9	2.1411.038.1	2	circlip 95
10	2.2030.013.0	1	ball bearing 60x95x18
11	2.1410.024.1	1	circlip Ø 60 mm
12	0.008.4624.0	1	special oil seal 60x95x10
14	0.018.6696.2/20	1	guard
15	2.4019.472.2	1	spring



9_Y8138_01_0-C-002

Virtus 120 -> ZKDY7302W0TS10001

Section: D0 - TRANSMISSION

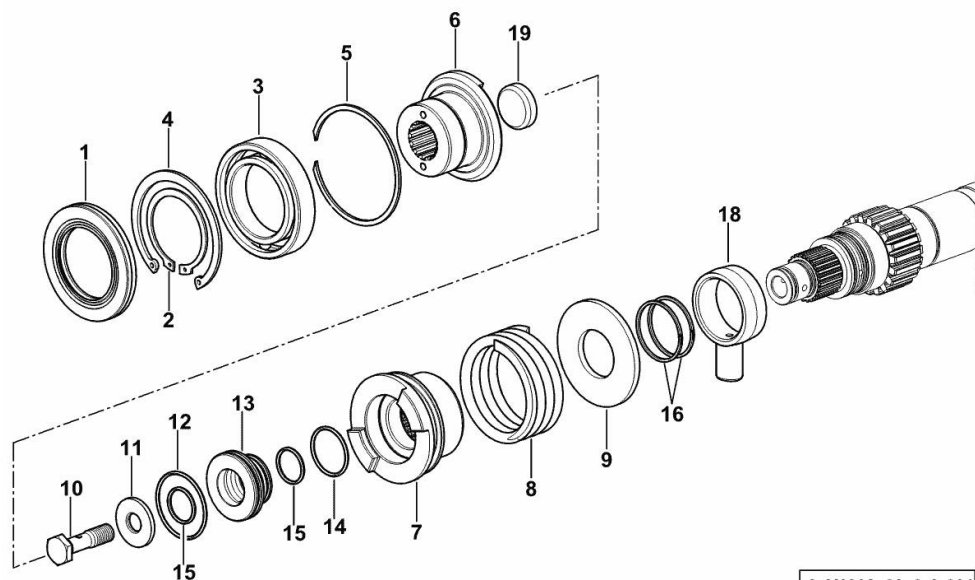
Ref: D0.15.2 (1)

4WD - ELECTROHYDRAULIC ENGAGEMENT CONTROL - EASY SHIFT

Fig.	P/n	QTY	Name
------	-----	-----	------

Notes:

- FOR TYPES WITHOUT SBA / ASM [Virtus 120 -> ZKDY7302W0TS10001]



9_Y6938_00_0-A-001

1	0.008.4624.0	1	special oil seal 60x95x10
2	2.1410.024.1	1	circlip Ø 60 mm
3	2.2030.013.0	1	ball bearing 60x95x18
4	2.1411.038.1	1	circlip 95
5	2.1429.072.0	1	shoulder ring
6	0.018.9874.0	1	sleeve
7	0.013.9292.0	1	sleeve
8	2.4019.785.1/20	1	spring
9	2.1599.888.0/10	1	slewing ring 40x87x5.5
10	2.0399.306.0	1	screw
11	2.1499.226.0	1	washer 15x40x4
12	2.1530.125.0	1	oil seal 50.47x2.62
13	0.013.9295.0	1	ring
14	2.1530.095.0	1	oil seal 36.14x2.62
15	2.1531.066.0	2	oil seal 25.07x2.62
16	2.1569.109.0/10	2	gasket 46 x 50 x 2.0
18	0.008.4309.0/10	1	manifold
19	2.3171.014.4	1	plug

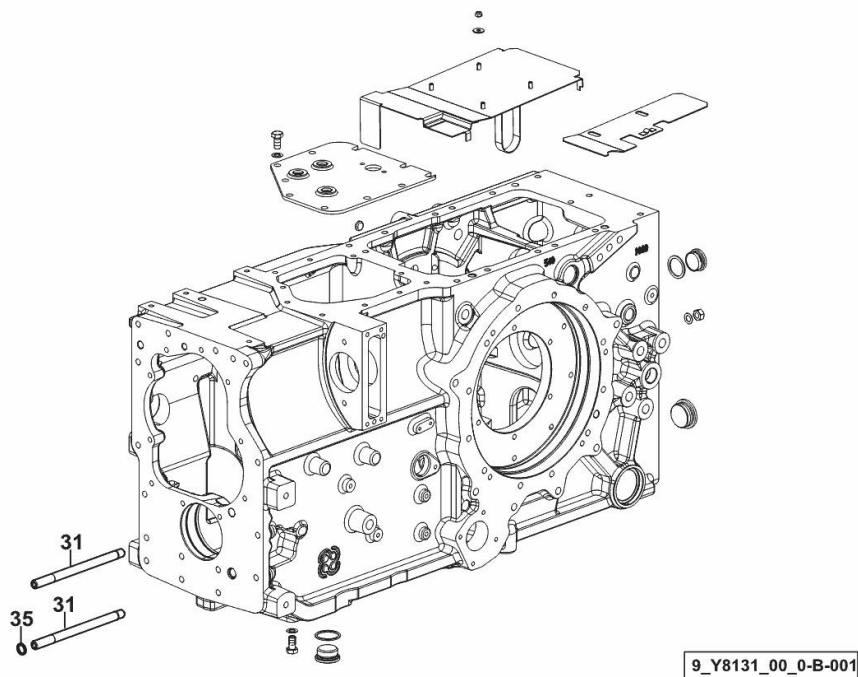
INDEPENDENT HAND BRAKE

Fig.	P/n	QTY	Name
------	-----	-----	------

Notes:

[Virtus 120 -> ZKDY7302W0TS10001]

31	0.445.5450.0/10	2	small column
35	2.1530.034.0	1	oil seal 13.95x2.62



Thank you so much for reading.
Please click the “Buy Now!”
button below to download the
complete manual.



After you pay.

You can download the most
perfect and complete manual in
the world immediately.

Our support email:

ebooklibonline@outlook.com