

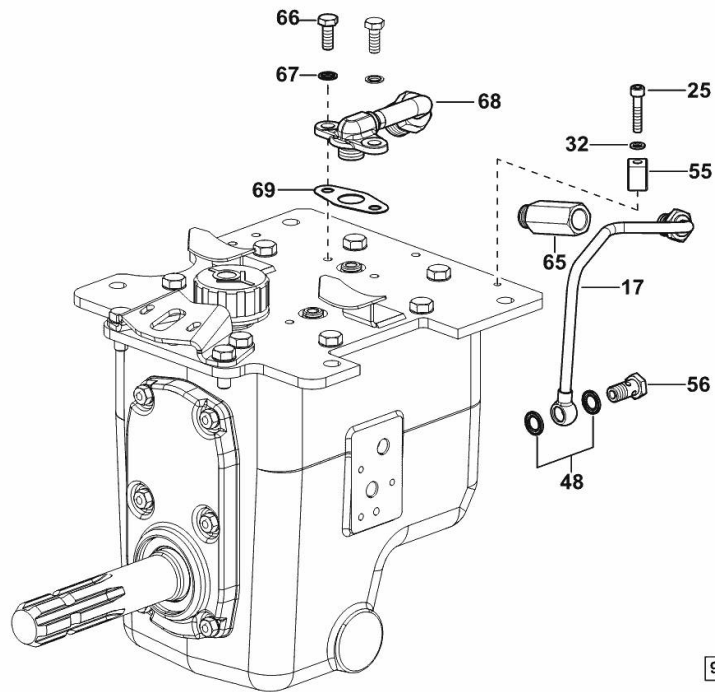
**FRONT PTO HYDRAULIC SYSTEM**

Fig.	P/n	QTY	Name
------	-----	-----	------

**Notes:**

[Virtus 120 Infinity -> ZKDBA302W0TS20001]

17	0.019.9674.3	1	tube
25	2.0312.110.2	1	screw
32	2.1470.002.2	1	lock washer 6
48	2.1561.106.0	2	gasket Ø 12 -B-
55	01141549	1	terminal d=8
56	2.3339.765.2/10	1	pipe union m 12 p.1x23
65	0.019.9675.3	1	screw
66	2.0112.207.2	2	screw m 8 p 1.25 x 20
67	2.1561.003.0	2	washer
68	0.019.9677.3	1	tube
69	0.052.1558.0/10	1	gasket



9\_Y8959\_85\_0-C-001

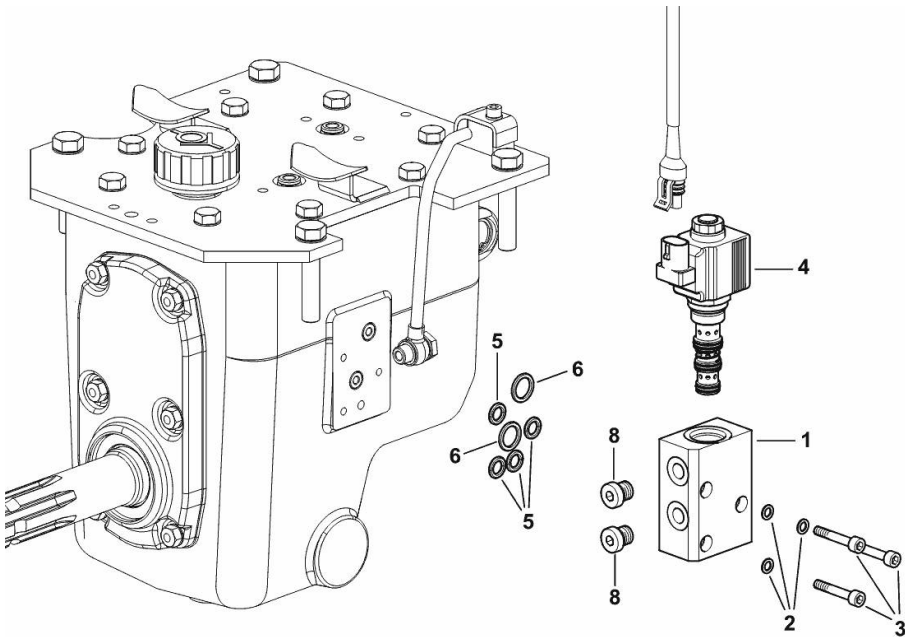
**SOLENOID VALVE**

Fig.	P/n	QTY	Name
------	-----	-----	------

**Notes:**

[Virtus 120 Infinity -> ZKDBA302W0TS20001]

1	0.017.6837.0	1	small block
2	2.1560.001.0	3	gasket 6.2x10
3	2.0312.112.2	3	screw m 6 p.1 x 35
4	2.3729.250.0/60	1	solenoid valve 13V - 20W ☞ 2.3729.250.0/60
5	2.1532.018.0	4	oil seal 9.19 x 2.62
6	2.1532.038.0	2	oil seal
8	2.3139.024.2	2	plug m 12 p.1.5



9\_R8559\_86\_0-A-001

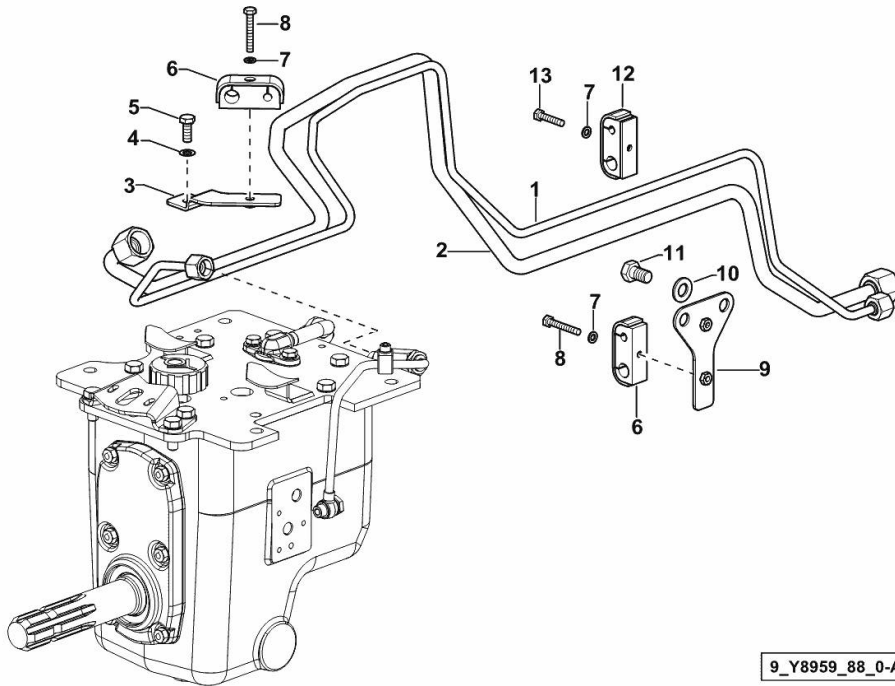
**FRONT PTO HYDRAULIC SYSTEM**

Fig.	P/n	QTY	Name
------	-----	-----	------

**Notes:**

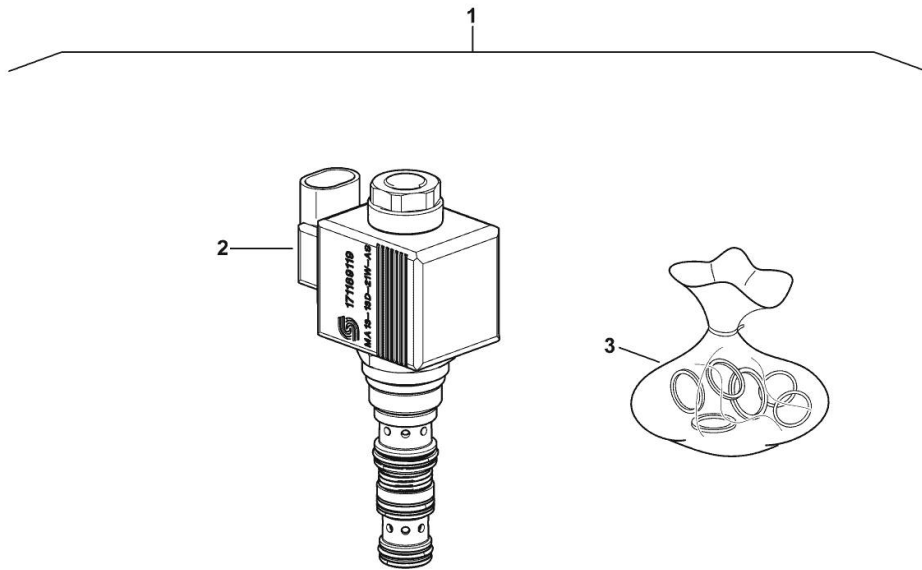
[Virtus 120 Infinity -> ZKDBA302W0TS20001]

1	0.019.9676.3	1	tube
2	0.019.9678.3	1	tube
3	0.019.2609.3	1	bracket
4	2.1470.004.2	1	lock washer 8
5	2.0112.207.2	1	screw m 8 p 1.25 x 20
6	2.3320.305.0	2	terminal 14/8
7	2.1470.002.2	2	lock washer 6
8	2.0112.015.2	2	screw m 6 p.1x40
9	0.019.2606.3	1	bracket
10	2.1310.007.2	2	flat washer 13 x 24
11	2.0112.407.2	2	screw m 12 p.1.75 x 20
12	2.3320.205.0	1	terminal
13	2.0112.011.2	1	screw m 6 p.1x30



**SOLENOID VALVE**

Fig.	P/n	QTY	Name
1	2.3729.250.0/60	1	solenoid valve 13V - 20W
2	0.900.1130.7	1	coil
3	0.900.2128.5	1	gasket set



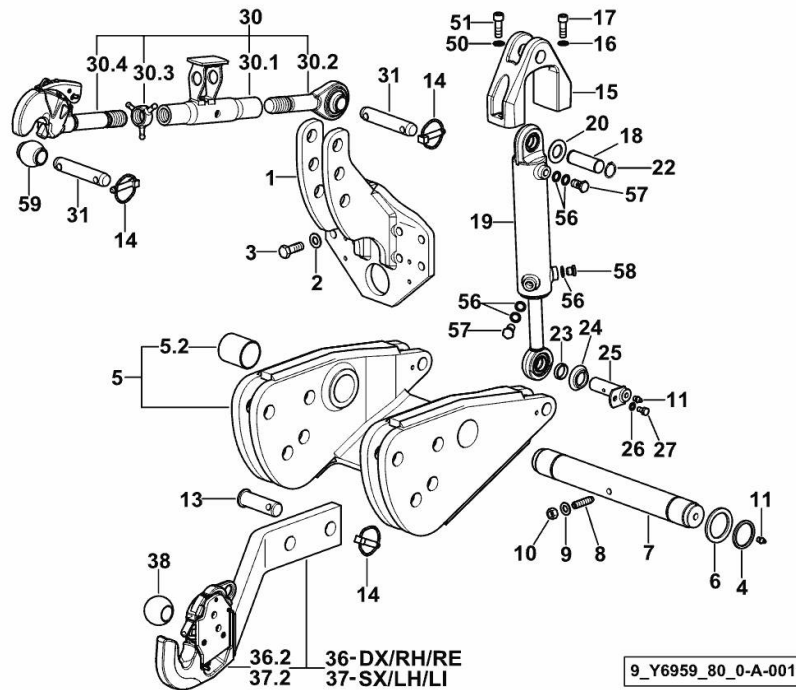
2.3729.250.0/60

**FRONT HYDRAULIC POWER-LIFT**

Fig.	P/n	QTY	Name
------	-----	-----	------

**Notes:**

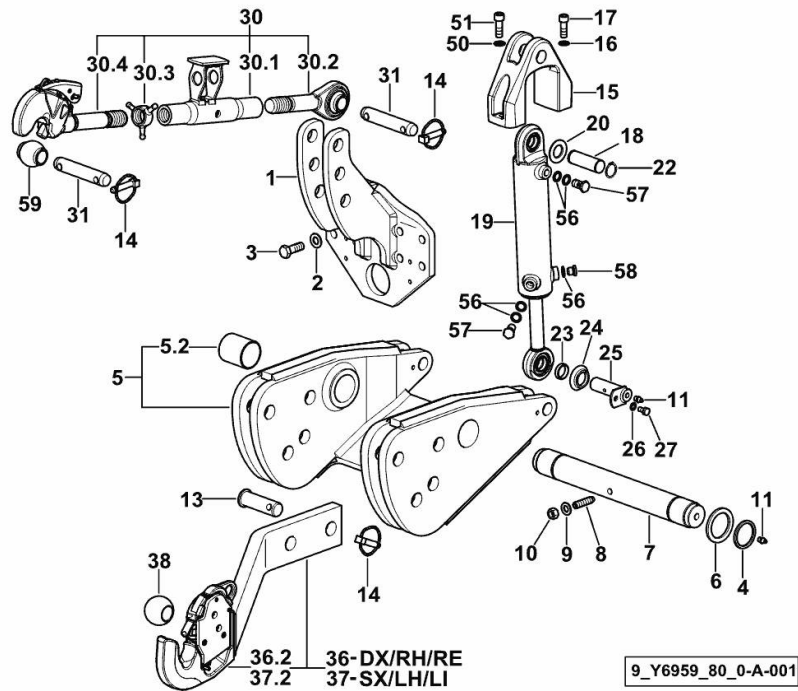
[Virtus 120 Infinity -> ZKDBA302W0TS20001] 20016 <-



1	0.018.7602.2/10	1	plate
2	2.1310.009.2	8	flat washer 15x20
3	2.0112.515.2	8	screw m 14 p.2 x 40
4	2.1549.244.0/20	2	shim 51x68x5
5	0.011.2179.3/20	1	support
5.2	2.1559.354.0	1	special bushing
6	2.1514.053.0	2	oil seal 45x55x4
7	0.007.6983.0/10	1	shaft
8	2.0599.079.2	1	screw m 12x1.25x50
9	2.1310.007.2	1	flat washer 13 x 24
10	2.1011.422.2	1	nut m 12 p.1.25
11	2.3820.105.2	4	grease gun m 10 p.1 x 7
13	2.1679.095.2	4	pin
14	0.010.9322.4	8	pin Ø 11
15	0.010.6707.0/10	2	bracket
16	2.1474.010.2	4	washer 10
17	2.0312.312.2	4	screw m10p.1,5x35
18	2.1699.479.0	2	pin 25x76
19	0.010.6837.4/20	2	cylinder
20	2.1569.178.0	4	gasket 26x38x4
22	2.1410.010.2	4	circlip 25
23	2.1549.334.2	4	spacer 26x30x8
24	0.010.4205.0	4	gasket
25	0.019.5682.2	2	pin
26	2.1470.004.2	2	lock washer 8
27	2.0112.205.2	2	screw m 8 p.1.25 x 16
30	0.018.7619.4	1	top link
30.1	0.018.7619.3	1	sleeve
30.2	0.013.2769.3	1	rod sx/lh/li
30.3	0.001.5059.0	1	wing nut
30.4	0.013.2770.3	1	automatic hook dx/rh/re
	☞ 0.013.2770.3		
31	2.1669.024.2	2	pin 25.4 x 133
36	0.011.2175.3/10	1	right hand arm
36.2	0.010.1702.3	1	automatic hook 2 cat.- WALTERSCHEID
	☞ 0.010.1702.3		
37	0.011.2177.3/10	1	left hand arm
37.2	0.010.1702.3	1	automatic hook 2 cat.- WALTERSCHEID
	☞ 0.010.1702.3		
38	0.760.5952.0	2	cap Ø 56

**FRONT HYDRAULIC POWER-LIFT**

Fig.	P/n	QTY	Name
50	2.1474.011.2	2	spring washer 12
51	2.0313.412.2	2	screw m 12 p.1.75x35
56	2.1560.010.0	10	gasket 14.2 x 20
57	2.3335.006.2	4	pipe union m 14 p.1.5X26
58	2.3120.009.4	2	plug m 14 p.1.5
59	0.96001.17.0	1	cap Ø 50

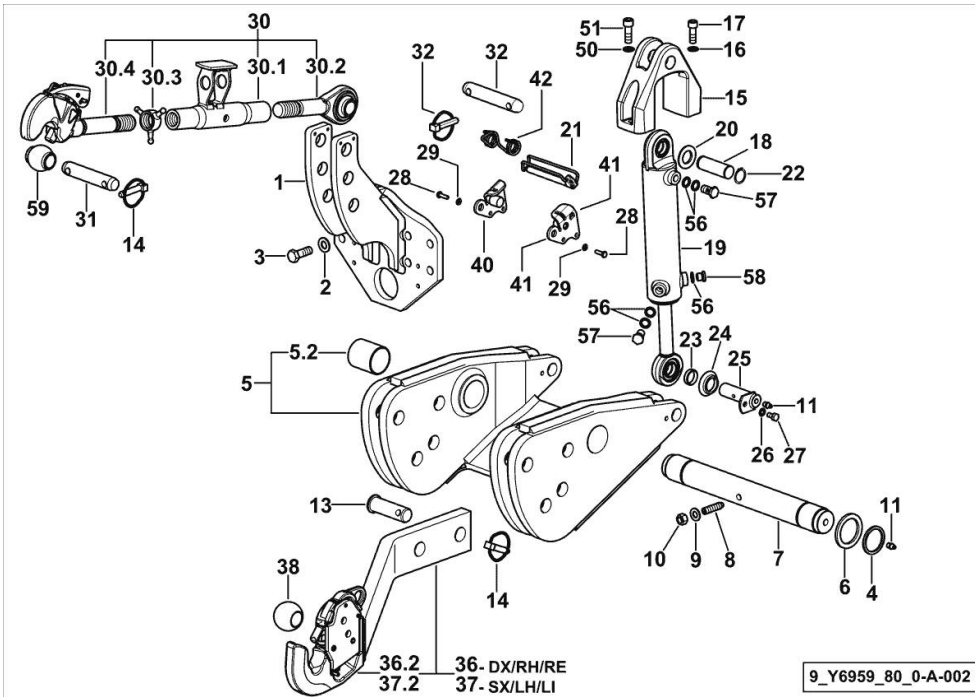


**FRONT HYDRAULIC POWER-LIFT**

Fig.	P/n	QTY	Name
------	-----	-----	------

**Notes:**

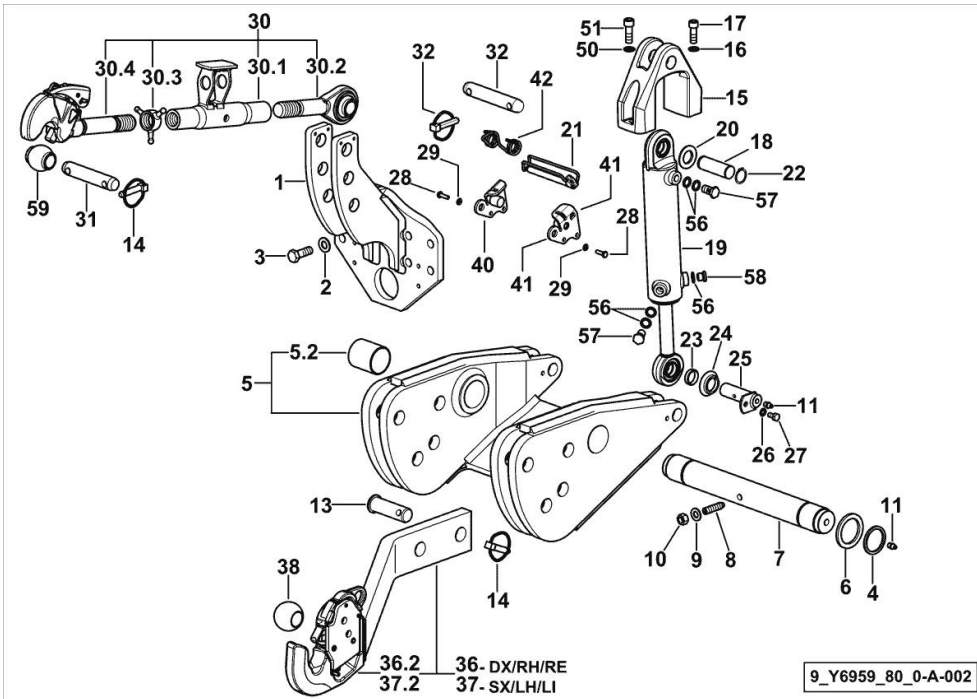
[Virtus 120 Infinity -> ZKDBA302W0TS20001]



1	0.018.7602.2/20	1	plate
2	2.1310.009.2	8	flat washer 15x20
3	2.0112.515.2	8	screw m 14 p.2 x 40
4	2.1549.244.0/20	2	shim 51x68x5
5	0.011.2179.3/20	1	support
5.2	2.1559.354.0	1	special bushing
6	2.1514.053.0	2	oil seal 45x55x4
7	0.007.6983.0/10	1	shaft
8	2.0599.079.2	1	screw m 12x1.25x50
9	2.1310.007.2	1	flat washer 13 x 24
10	2.1011.422.2	1	nut m 12 p.1.25
11	2.3820.105.2	4	grease gun m 10 p.1 x 7
13	2.1679.095.2	4	pin
14	0.010.9322.4	8	pin Ø 11
15	0.010.6707.0/20	2	bracket
16	2.1474.010.2	4	washer 10
17	2.0312.312.2	4	screw m10p.1,5x35
18	2.1699.479.0	2	pin 25x76
19	0.010.6837.4/20	2	cylinder
20	2.1569.178.0	4	gasket 26x38x4
21	0.020.5950.0	1	pin
22	2.1410.010.2	4	circlip 25
23	2.1549.334.2	4	spacer 26x30x8
24	0.010.4205.0	4	gasket
25	0.019.5682.2	2	pin
26	2.1470.004.2	2	lock washer 8
27	2.0112.205.2	2	screw m 8 p.1.25 x 16
28	2.0112.007.2	4	screw m 6 p.1 x 20
29	2.1310.002.2	4	flat washer 6.4x12.5
30	0.013.2771.4/10	1	top link
30.1	0.013.2767.3/10	1	sleeve
30.2	0.013.2769.3	1	rod sx/lh/li
30.3	0.001.5059.0	1	wing nut
30.4	0.013.2770.3	1	automatic hook dx/rh/re
	☞ 0.013.2770.3		
31	2.1669.024.2	1	pin 25.4 x 133
32	2.1669.069.2	1	pin
36	0.011.2175.3/10	1	right hand arm
36.2	0.010.1702.3	1	automatic hook 2 cat.- WALTERSCHEID
	☞ 0.010.1702.3		

**FRONT HYDRAULIC POWER-LIFT**

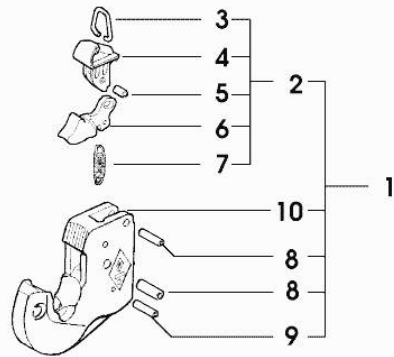
Fig.	P/n	QTY	Name
37	0.011.2177.3/10	1	left hand arm
37.2	0.010.1702.3	1	automatic hook 2 cat.- WALTERSCHEID ☞ 0.010.1702.3
38	0.760.5952.0	2	cap Ø 56
40	0.021.8301.2	1	bracket dx/rh/re
41	0.021.8303.2	1	bracket sx/lh/li
42	2.4099.188.2	1	spring
50	2.1474.011.2	2	spring washer 12
51	2.0313.412.2	2	screw m 12 p.1.75x35
56	2.1560.010.0	10	gasket 14.2 x 20
57	2.3335.006.2	4	pipe union m 14 p.1.5X26
58	2.3120.009.4	2	plug m 14 p.1.5
59	0.96001.17.0	1	cap Ø 50





**TOWING HITCH**

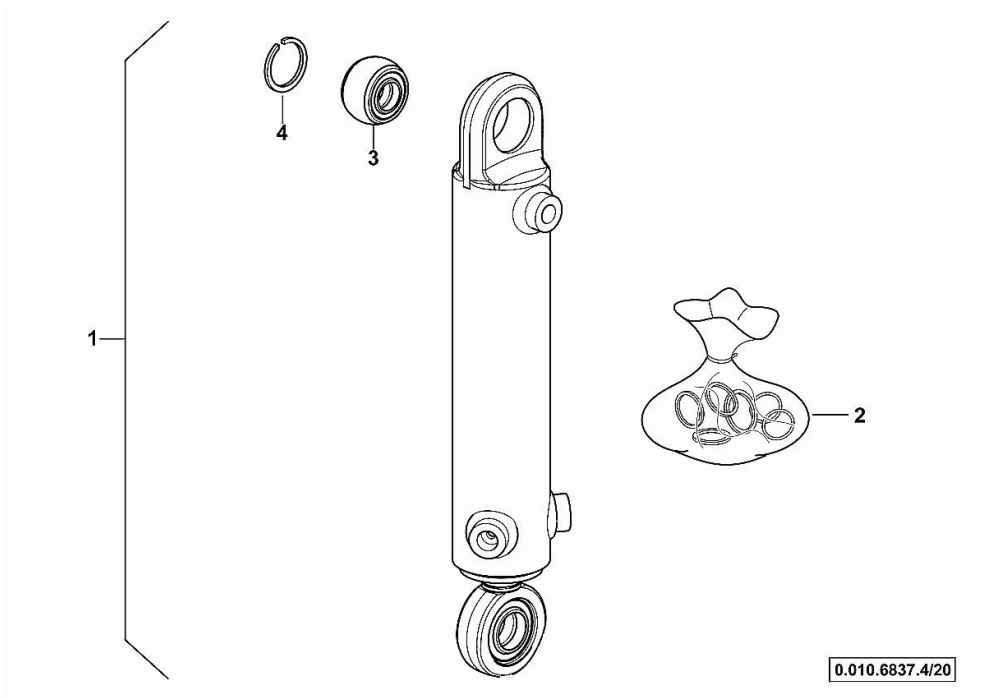
Fig.	P/n	QTY	Name
1	0.010.1702.3	1	automatic hook 2 cat.- WALTERSCHEID
2	0.010.2190.0	1	support
3	0.010.2191.0	1	stop
4	0.010.2192.0	1	support
5	0.010.2193.0	1	pin
6	0.010.2194.0	1	lever
7	0.010.2195.0	1	spring
8	0.009.4677.1	2	pin 10x32
9	0.009.4677.2	1	pin 6 x 28
10	0.000.0000.1		cannot be supplied



010\_1702\_3

**CYLINDER PARTS**

Fig.	P/n	QTY	Name
1	0.010.6837.4/20	1	cylinder
2	0.010.3597.0	1	seal ring kit
3	0.900.2118.7	1	ball joint
4	0.010.3596.1	1	circlip



**ADJUSTABLE LIFT ROD PARTS**

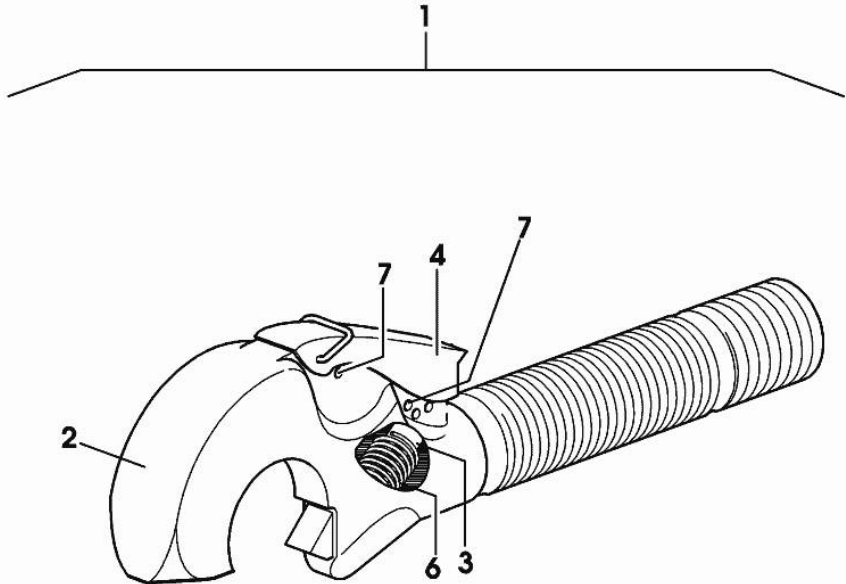


Fig.	P/n	QTY	Name
1	0.013.2770.3	1	automatic hook dx/rh/re
2	0.000.0000.1	1	cannot be supplied
3	0.010.2787.1	1	pin
4	04323249	1	lever
6	0.010.2787.0	1	spring
7	0.009.4677.2	2	pin 6 x 28

0\_013\_2770\_3

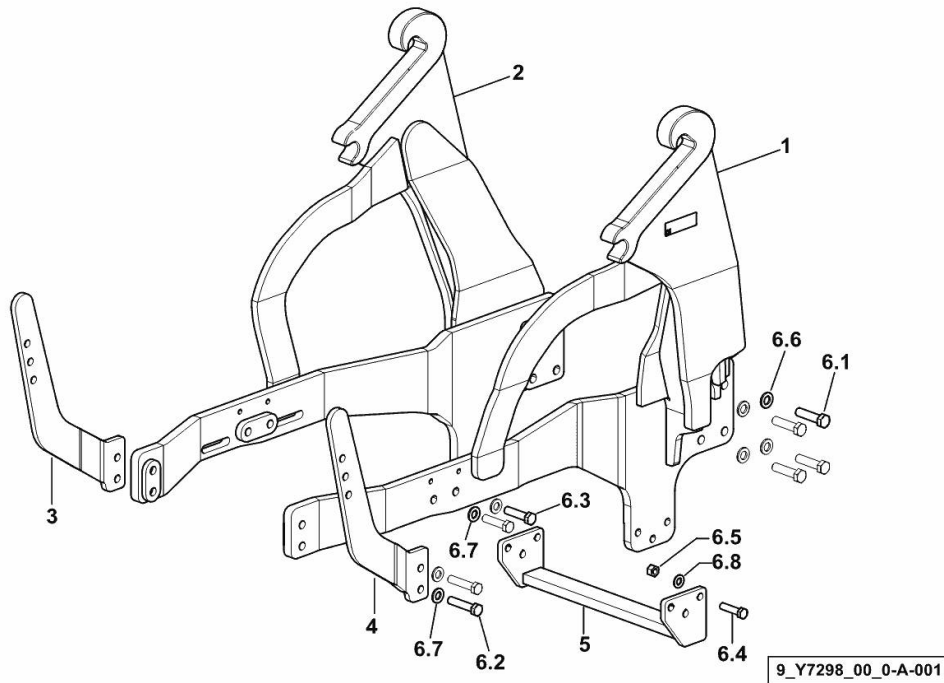
**FIXED FRAME KIT LIGHT**

Fig.	P/n	QTY	Name
------	-----	-----	------

**Notes:**

[Virtus 120 Infinity -> ZKDBA302W0TS20001]

1	0.020.0603.4/10	1	chassis frame sx/lh/li
2	0.020.0604.4/10	1	chassis frame dx/rh/re
3	0.020.0605.4	1	guard dx/rh/re
4	0.020.0606.4	1	guard sx/lh/li
5	0.020.0607.4	1	bracket
6.1	2.0113.825.2	8	screw m 20x80
6.2	2.0113.726.2	4	screw m18x85
6.3	2.0112.724.2	4	screw m 18 p.2.5 x 75
6.4	2.0113.622.2	6	screw m 16 x 65, d933
6.5	2.1012.109.2	6	nut m 16 p.2
6.6	2.1475.008.2	8	washer 20
6.7	2.1475.007.2	8	washer 18
6.8	2.1475.106.2	6	washer 16



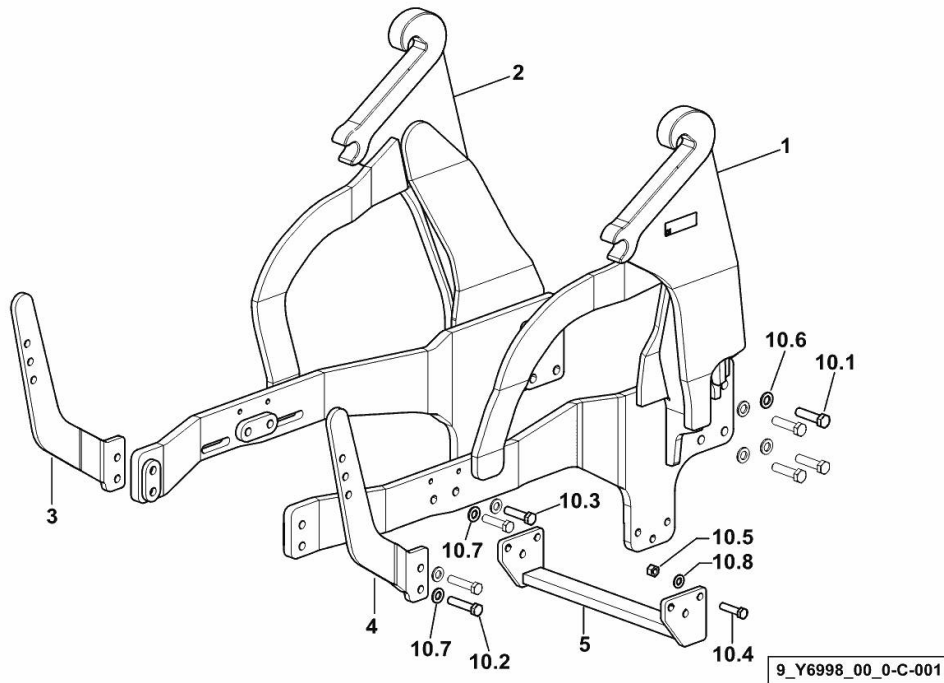
**FIXED FRAME KIT READY**

Fig.	P/n	QTY	Name
------	-----	-----	------

**Notes:**

- 60 LT [Virtus 120 Infinity -> ZKDBA302W0TS20001]

1	0.020.0603.4/10	1	chassis frame sx/lh/li
2	0.020.0604.4/10	1	chassis frame dx/rh/re
3	0.020.0605.4	1	guard dx/rh/re
4	0.020.0606.4	1	guard sx/lh/li
5	0.020.0607.4	1	bracket
10.1	2.0113.825.2	8	screw m 20x80
10.2	2.0113.726.2	4	screw m18x85
10.3	2.0112.724.2	4	screw m 18 p.2.5 x 75
10.4	2.0113.622.2	6	screw m 16 x 65, d933
10.5	2.1012.109.2	6	nut m 16 p.2
10.6	2.1475.008.2	8	washer 20
10.7	2.1475.007.2	8	washer 18
10.8	2.1475.106.2	6	washer 16



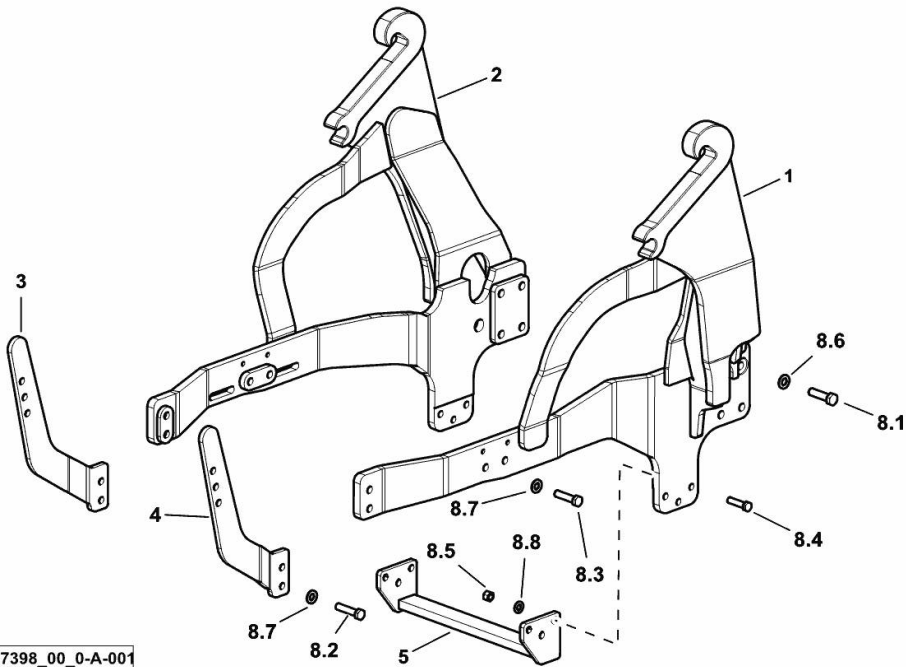
**FIXED FRAME KIT READY**

Fig.	P/n	QTY	Name
------	-----	-----	------

**Notes:**

- FOR TYPES WITH ELECTROHYDRAULIC REMOTE CONTROL VALVE [Virtus 120 Infinity -> ZKDBA302W0TS20001]

1	0.020.0603.4/10	1	chassis frame sx/lh/li
2	0.020.0604.4/10	1	chassis frame dx/rh/re
3	0.020.0605.4	1	guard dx/rh/re
4	0.020.0606.4	1	guard sx/lh/li
5	0.020.0607.4	1	bracket
8.1	2.0113.825.2	8	screw m 20x80
8.2	2.0113.726.2	4	screw m18x85
8.3	2.0112.724.2	4	screw m 18 p.2.5 x 75
8.4	2.0113.622.2	6	screw m 16 x 65, d933
8.5	2.1012.109.2	6	nut m 16 p.2
8.6	2.1475.008.2	8	washer 20
8.7	2.1475.007.2	8	washer 18
8.8	2.1475.106.2	6	washer 16



9\_Y7398\_00\_0-A-001

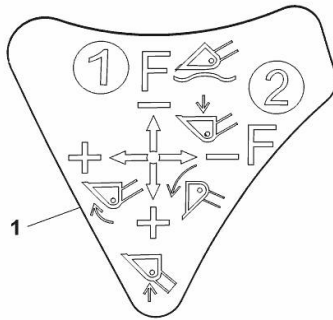
**IDENTIFICATION PLATE**

Fig.	P/n	QTY	Name
------	-----	-----	------

**Notes:**

- FOR TYPES WITH ELECTROHYDRAULIC REMOTE CONTROL VALVE [Virtus 120 Infinity -> ZKDBA302W0TS20001]

1	0.020.6979.0	1	plate
---	--------------	---	-------



9\_Y7698\_02\_0-A-001

Thank you so much for reading.  
Please click the “Buy Now!”  
button below to download the  
complete manual.



After you pay.

You can download the most  
perfect and complete manual in  
the world immediately.

Our support email:

[ebooklibonline@outlook.com](mailto:ebooklibonline@outlook.com)