

Virtus 120 Infinity -> ZKDY8502W0TS10001

Section: D0 - TRANSMISSION

Ref: D0.15.1 (2)

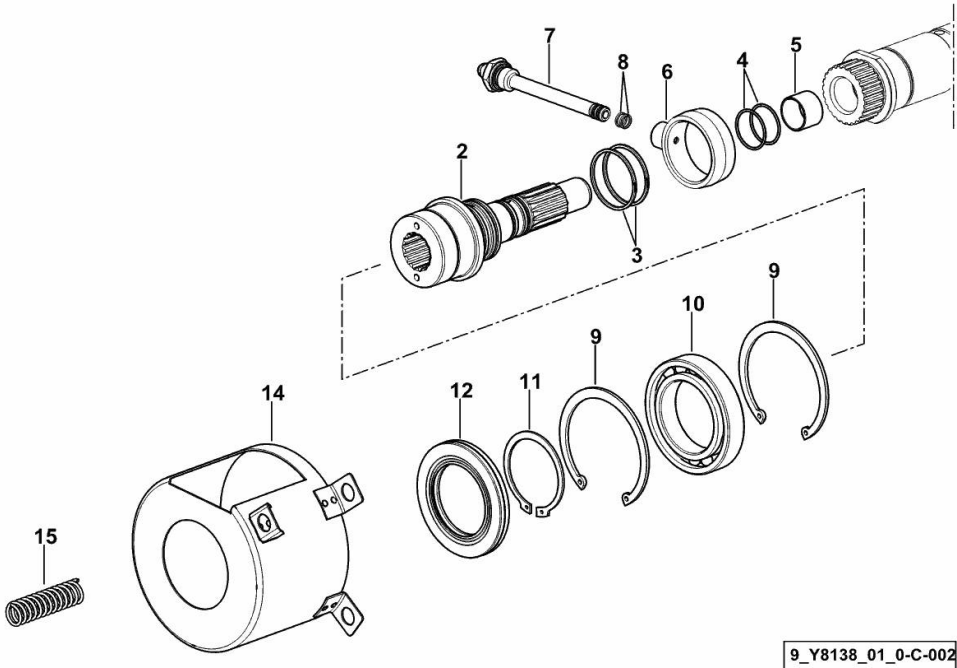
4WD - ELECTROHYDRAULIC ENGAGEMENT CONTROL

Fig.	P/n	QTY	Name
------	-----	-----	------

Notes:

- FOR TYPES WITH SBA / ASM [Virtus 120 Infinity -> ZKDY8502W0TS10001]

2	0.018.9695.3	1	shaft
3	2.1569.109.0/10	2	gasket 46 x 50 x 2.0
4	2.1539.154.0	2	special oil seal 28.3x1.78
5	2.1555.314.0	1	bushing 25x28x20
6	0.020.0047.0	1	manifold
7	2.3249.647.2/10	1	pipe fitting
8	2.1530.019.0	2	oil seal 9.25x1.78
9	2.1411.038.1	2	circlip 95
10	2.2030.013.0	1	ball bearing 60x95x18
11	2.1410.024.1	1	circlip Ø 60 mm
12	0.008.4624.0	1	special oil seal 60x95x10
14	0.018.6696.2/20	1	guard
15	2.4019.472.2	1	spring



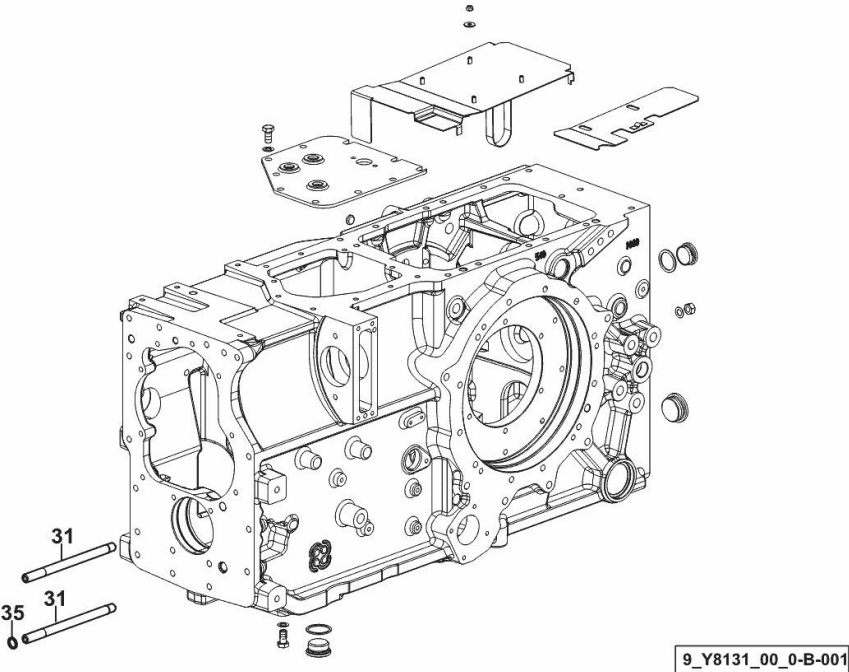
9_Y8138_01_0-C-002

INDEPENDENT HAND BRAKE

Fig.	P/n	QTY	Name
------	-----	-----	------

Notes:
[Virtus 120 Infinity -> ZKDY8502W0TS10001]

31	0.445.5450.0/10	2	small column
35	2.1530.034.0	1	oil seal 13.95x2.62

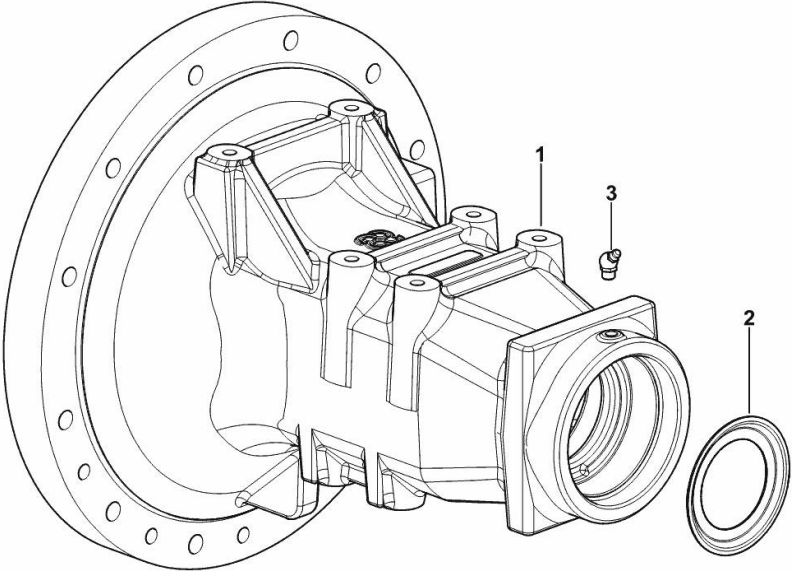


REAR AXLE SX/LH/LI - DX/RH/RE

Fig.	P/n	QTY	Name
------	-----	-----	------

Notes:
[Virtus 120 Infinity -> ZKDY8502W0TS10001]

1	0.018.3744.0/10	2	wheel support
2	0.008.4001.0/10	2	cup
3	2.3821.103.2	2	grease gun m 10 p.1x10



9_Y8544_30_0-A-001

Virtus 120 Infinity -> ZKDY8502W0TS10001

Section: E0 - REAR AXLE

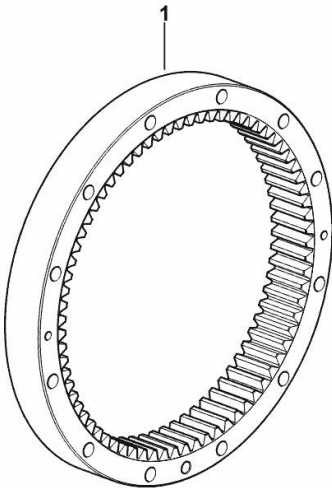
Ref: E0.01.3 (1)

REAR AXLE CROWN WHEEL SX/LH/LI - DX/RH/RE

Fig.	P/n	QTY	Name
------	-----	-----	------

Notes:
[Virtus 120 Infinity -> ZKDY8502W0TS10001]

1	0.008.5625.0/20	2	crown wheel
---	-----------------	---	-------------



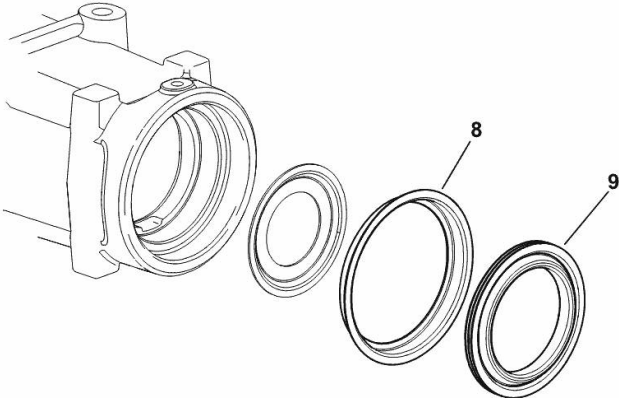
9_Y8547_30_0-B-001

PARTS SET FOR REAR AXLE - STANDARD SEAL

Fig.	P/n	QTY	Name
------	-----	-----	------

Notes:
[Virtus 120 Infinity -> ZKDY8502W0TS10001]

8	0.255.4450.0/10	2	cup
9	2.1569.104.0	2	special oil seal 80 x 118.2 x 12



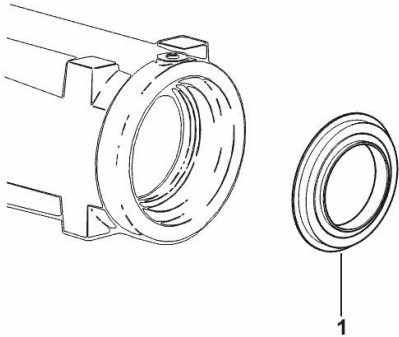
9_64844_11_0-A-001

PARTS SET FOR REAR AXLE - WATERPROOF SEAL

Fig.	P/n	QTY	Name
------	-----	-----	------

Notes:
[Virtus 120 Infinity -> ZKDY8502W0TS10001]

1	2.1529.105.0/10	2	special oil seal 80x129x15
---	-----------------	---	----------------------------



9_Y8144_01_0-A-001

Virtus 120 Infinity -> ZKDY8502W0TS10001

Section: E0 - REAR AXLE

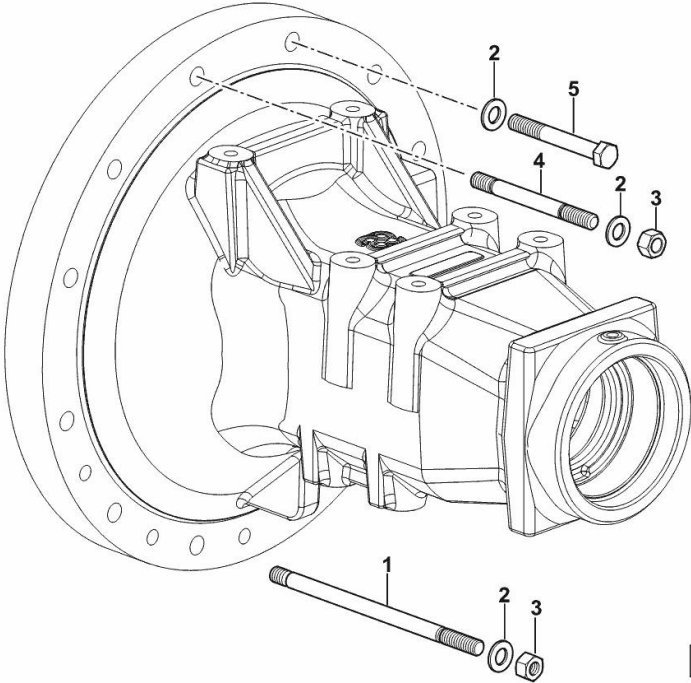
Ref: E0.01.6 (1)

REAR AXLE - MOUNTINGS SX/LH/LI - DX/RH/RE

Fig.	P/n	QTY	Name
------	-----	-----	------

Notes:
 [Virtus 120 Infinity -> ZKDY8502W0TS10001]

1	2.0439.218.7/40	12	stud bolt m 14 p1.5 x 251
2	2.1475.005.7	24	washer 14
3	2.1012.408.7	18	nut m 14 p.1.5
4	2.0443.327.2	6	stud bolt m 14 x 120
5	2.0113.531.7	6	screw m 14 p.2x110



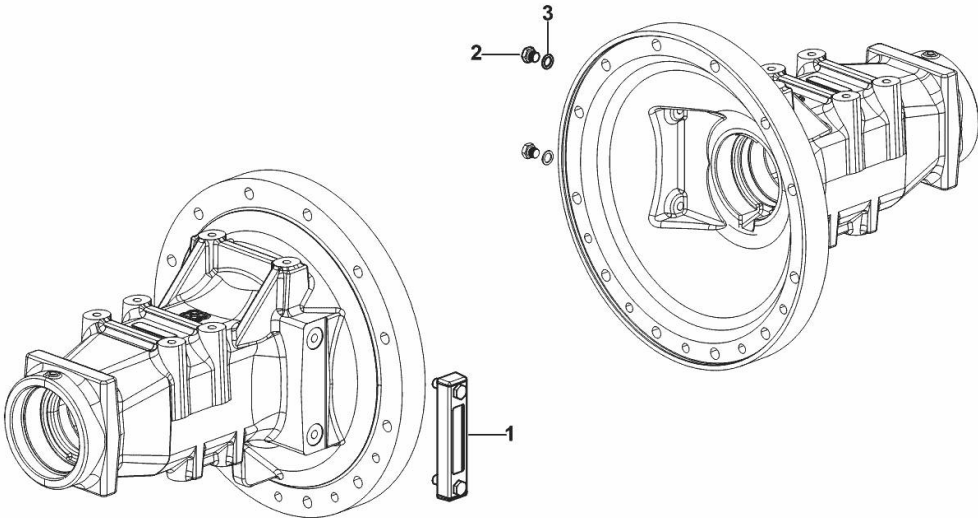
9_Y8544_31_0-A-001

OIL LEVEL INDICATOR

Fig.	P/n	QTY	Name
------	-----	-----	------

Notes:
[Virtus 120 Infinity -> ZKDY8502W0TS10001]

1	0.015.8160.0	1	level indicator
2	2.3110.302.2	2	plug m 12 p.1.75 x 10
3	2.1560.008.0	2	gasket 12.2 x 18



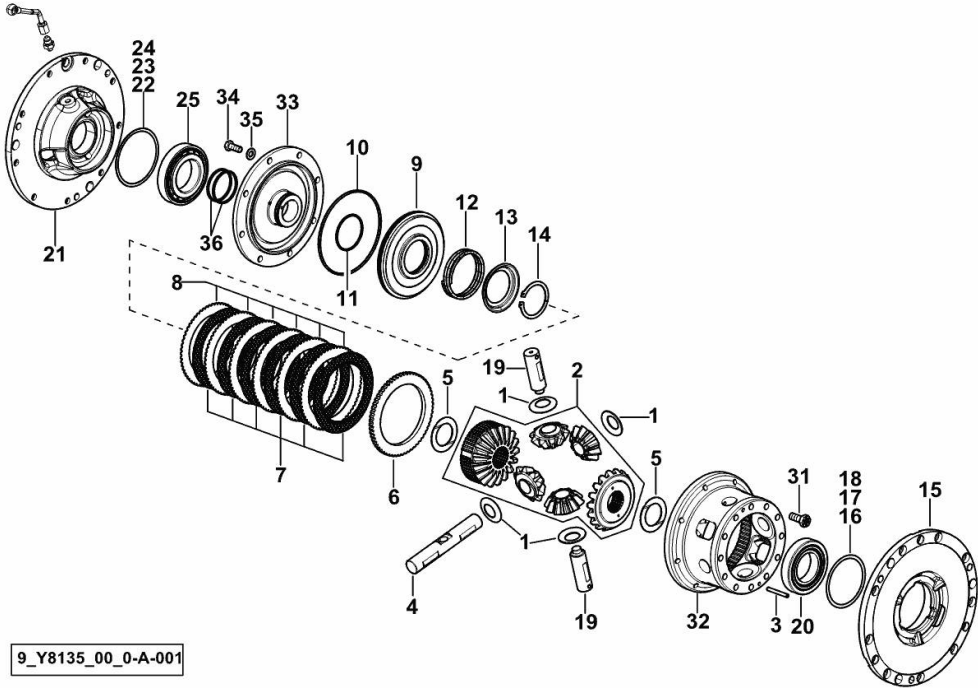
9_Y8544_32_0-A-001

4-PLANET PINION DIFFERENTIAL

Fig.	P/n	QTY	Name
------	-----	-----	------

Notes:
 [Virtus 120 Infinity -> ZKDY8502W0TS10001]

1	0.157.3550.0	4	shoulder ring
2	0.011.7161.3	1	crown wheel
3	2.1631.519.0	2	roll pin 6x50
4	0.010.0614.0/10	1	pin
5	2.1599.427.0/10	2	shoulder ring 42x64x0.3
6	0.008.5908.0	1	spacer
7	0.010.5034.2	6	disc mm 2.50
8	0.010.0711.0	6	disc mm 1.75
9	0.010.4853.0/10	1	piston
10	2.1539.094.0	1	special oil seal 151.99x3.53
11	0.005.8281.0	1	oil seal 61.6x2.62
12	0.008.4346.2	1	spring
13	0.008.4344.0	1	cup
14	2.1410.024.1	1	circlip Ø 60 mm
15	0.015.2833.0/20	1	flange sx/lh/li
16	2.1580.319.0	5	shim 86x98x0.5
17	2.1580.320.0	2	shim 86x98x0.2
18	2.1580.321.0	2	shim 86x98x0.05
19	0.010.0613.0	2	pin
20	2.2520.012.0	1	roller bearing iso 55 kb 02
21	0.015.6692.0/10	1	flange
22	2.1580.305.0	2	shim 97x108x0.2
23	2.1580.306.0	2	shim 97x108x0.5
24	2.1580.312.0	2	shim 97x108x0.05
25	2.2520.013.0	1	roller bearing iso 60 kb 02
31	2.0129.028.2	12	screw m 12 p.1.25x30
32	0.010.0549.0/20	1	differential carrier
33	0.008.5909.3/30	1	cover
34	2.0112.309.2	8	screw m 10 p.1.5 x 25
35	2.1475.003.2	8	washer 10
36	0.164.3646.0	2	piston ring



Virtus 120 Infinity -> ZKDY8502W0TS10001

Section: E0 - REAR AXLE

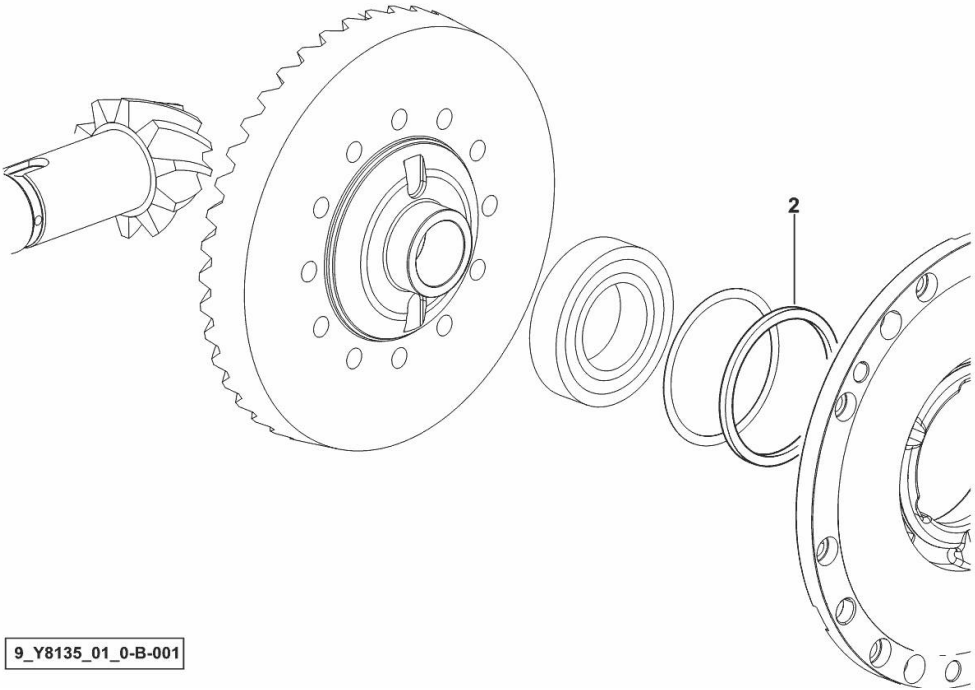
Ref: E0.02.2 (1)

SEPARATOR 86x98x5

Fig.	P/n	QTY	Name
------	-----	-----	------

Notes:
[Virtus 120 Infinity -> ZKDY8502W0TS10001]

2	2.1599.543.0	1	spacer 86x98x5
---	--------------	---	----------------



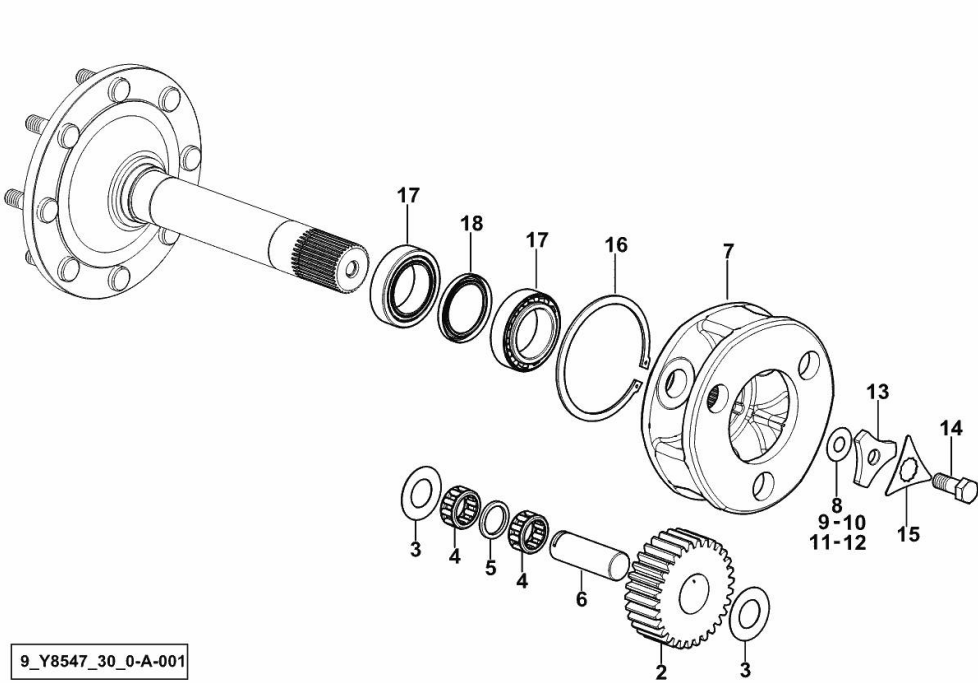
9_Y8135_01_0-B-001

REAR FINAL DRIVES SX/LH/LI - DX/RH/RE

Fig.	P/n	QTY	Name
------	-----	-----	------

Notes:
 [Virtus 120 Infinity -> ZKDY8502W0TS10001]

2	0.008.5626.0	6	planet gear
3	2.1599.218.0	12	shoulder ring 40.2x75x1.5
4	2.2999.274.0	12	roller cage 40x56x25.8
5	2.1549.140.0	6	spacer 40.2x52x5
6	0.008.5622.0	6	pin
7	0.008.5627.0/50	2	spider
8	2.1589.588.0	4	shim mm 1.0
9	2.1589.589.0	2	shim mm 0.5
10	2.1589.590.0	2	shim mm 0.2
11	2.1589.591.0	2	shim mm 0.15
12	2.1589.592.0	2	shim mm 0.1
13	0.015.9507.0/10	2	washer
14	2.0139.044.7	2	screw m 20 p.1.5x50
15	0.015.9531.0/10	2	lock-tab
16	2.1410.052.1	2	circlip 160
17	2.2999.227.0	4	special bearing 70x110x31
18	2.1529.091.0	2	special oil seal 70x95x10



9_Y8547_30_0-A-001

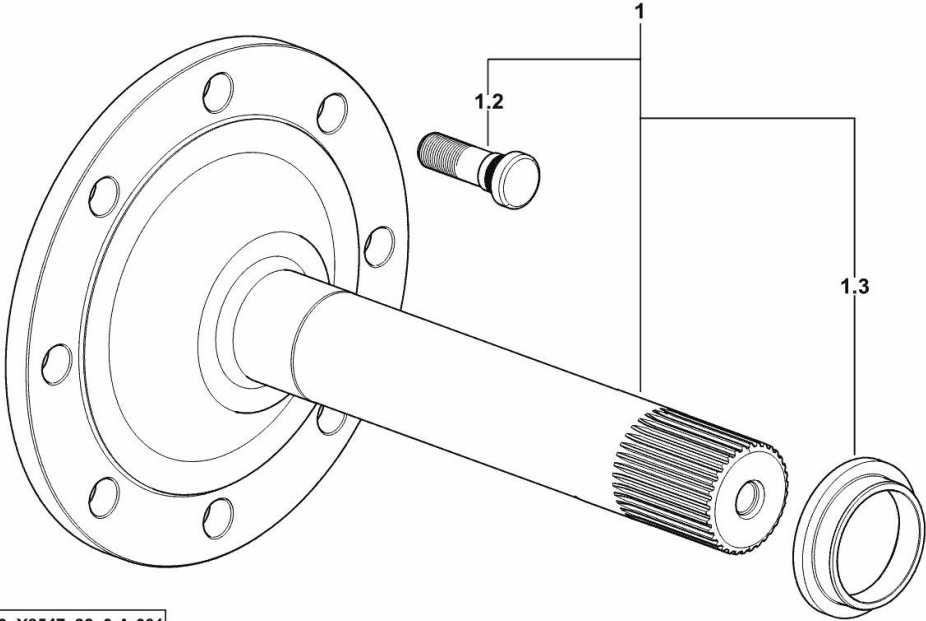
REAR HALF-SHAFTS SX/LH/LI - DX/RH/RE

Fig.	P/n	QTY	Name
------	-----	-----	------

Notes:

[Virtus 120 Infinity -> ZKDY8502W0TS10001]

1	0.018.8191.3/20	2	half-shaft
1.2	0.009.3545.0	8	small column m 22 p.1.5x70
1.3	0.008.4226.0/10	1	spacer



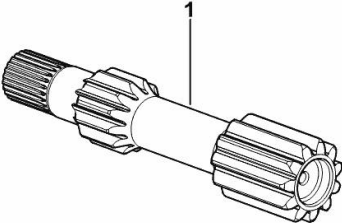
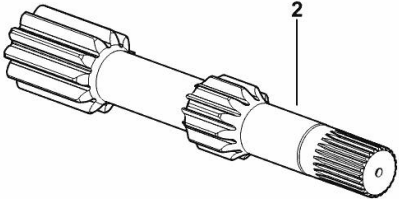
9_Y8547_32_0-A-001

REAR HALF-SHAFTS SX/LH/LI - DX/RH/RE

Fig.	P/n	QTY	Name
------	-----	-----	------

Notes:
[Virtus 120 Infinity -> ZKDY8502W0TS10001]

1	0.015.9539.0/10	1	half-shaft sx/lh/li
2	0.015.9489.0/10	1	half-shaft dx/rh/re



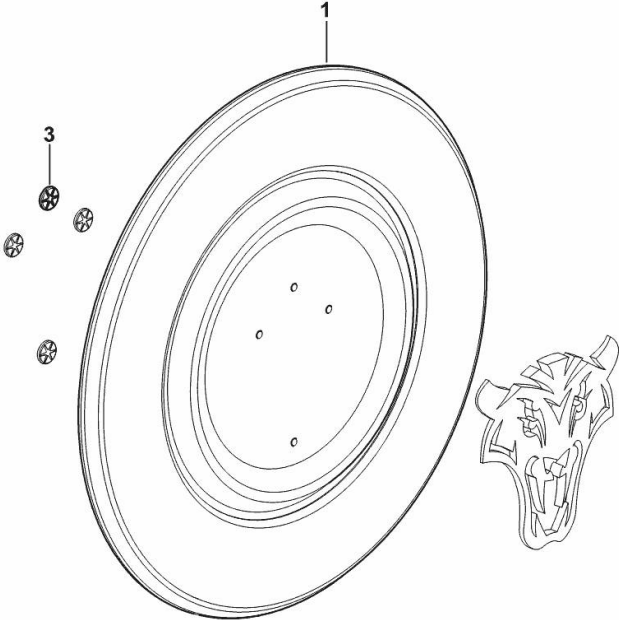
9_Y8547_31_0-A-001

REAR WHEEL HUB COVER

Fig.	P/n	QTY	Name
------	-----	-----	------

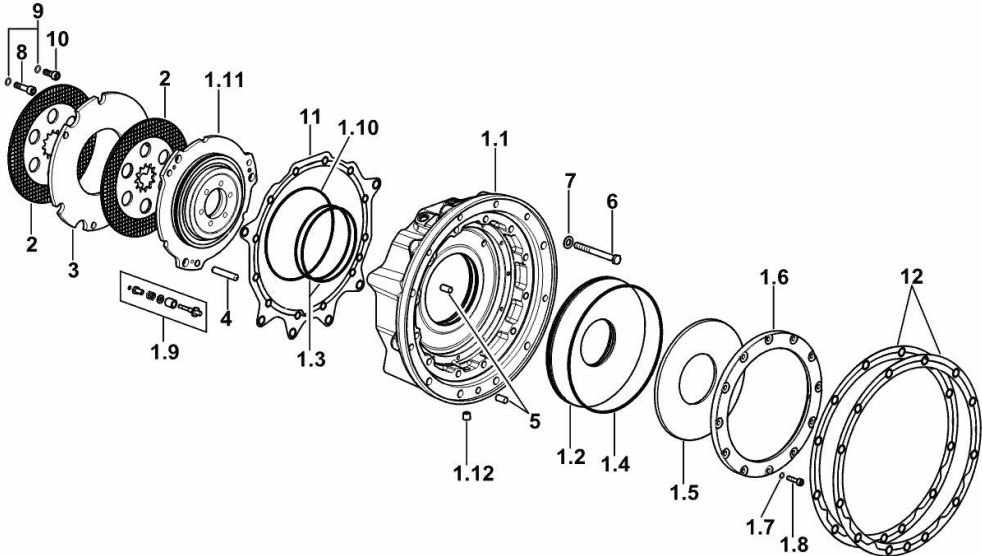
Notes:
[Virtus 120 Infinity -> ZKDY8502W0TS10001]

1	0.019.4341.7/10	4	cover
3	2.6999.076.0	16	spring washer



9_Y7346_10_0-B-001

REAR BRAKES WITH 0.55 mm WEAR ADJUSTMENT



9_Y8554_30_0-A-001

Fig.	P/n	QTY	Name
------	-----	-----	------

Notes:
[Virtus 120 Infinity -> ZKDY8502W0TS10001]

1.1	0.018.7823.0/30	2	flange SX/LH/LI - DX/RH/RE
1.2	0.018.9211.0	1	piston
1.3	2.1532.253.0	2	oil seal 148.82x3.53
1.4	2.1532.308.0	1	oil seal 253.59x3.53
1.5	2.1499.244.0	1	spring 250x105
1.6	0.015.2815.0/10	1	ring
1.7	2.1480.014.2	12	washer 8
1.8	2.0314.210.2	12	screw m 8 x 30
1.9	0.018.7891.4	3	device
1.10	2.1532.279.0	1	oil seal 183.74x3.53
1.11	0.015.2798.0/30	1	piston
1.12	2.3130.002.7	1	plug 1/4" gas
2	0.016.3140.2	4	brake disc D=243
3	0.015.2805.0/20	2	spacer
4	2.1655.617.0	6	pin 12x65
5	2.1655.608.0	4	pin 12 x 24
6	2.0112.433.2	24	screw m 12 p.1.75x120
7	2.1475.004.2	24	spring washer 12
8	2.0312.314.2	2	screw m 10 p.1.5 x 40
9	2.1480.015.2	18	washer 10
10	2.0312.308.2	10	screw m 10 p.1.5 x 25
11	0.018.5939.0	2	gasket
12	0.018.6334.0	4	gasket

Thank you so much for reading.
Please click the “Buy Now!”
button below to download the
complete manual.



After you pay.

You can download the most
perfect and complete manual in
the world immediately.

Our support email:

ebooklibonline@outlook.com