

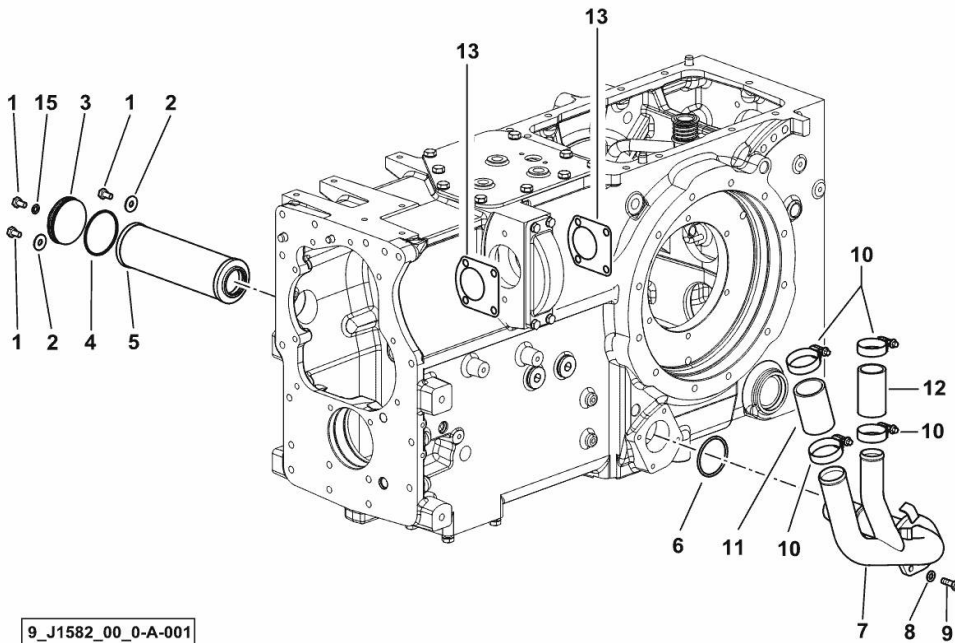
OIL SUCTION

Fig.	P/n	QTY	Name
------	-----	-----	------

Notes:

- FOR TYPES WITH MECHANICAL REMOTE VALVE CONTROL [Virtus 130 Infinity]

1	2.0112.204.2	3	screw m 8 p.1.25x14
2	2.1312.004.3	2	washer 8,4x24x2
3	0.013.8789.0/10	1	cover
4	2.1530.157.0	1	oil seal 64.77x2.62
5	2.4419.484.0	1	oil filter
6	2.1532.138.0	1	oil seal 55.56x3.53
7	0.015.6599.3	1	tube
8	2.1310.004.2	3	flat washer 8.4x17
9	2.0112.209.2	3	screw m 8 p 1.25 x 25
10	2.6851.004.0	4	clamp Ø 32/50
11	2.3213.240.0	1	sleeve
12	2.3213.234.0	1	sleeve Ø 34, L 70
13	0.9104.250.0/10	2	gasket
15	2.1560.004.0	1	copper gasket 8.2 x 14



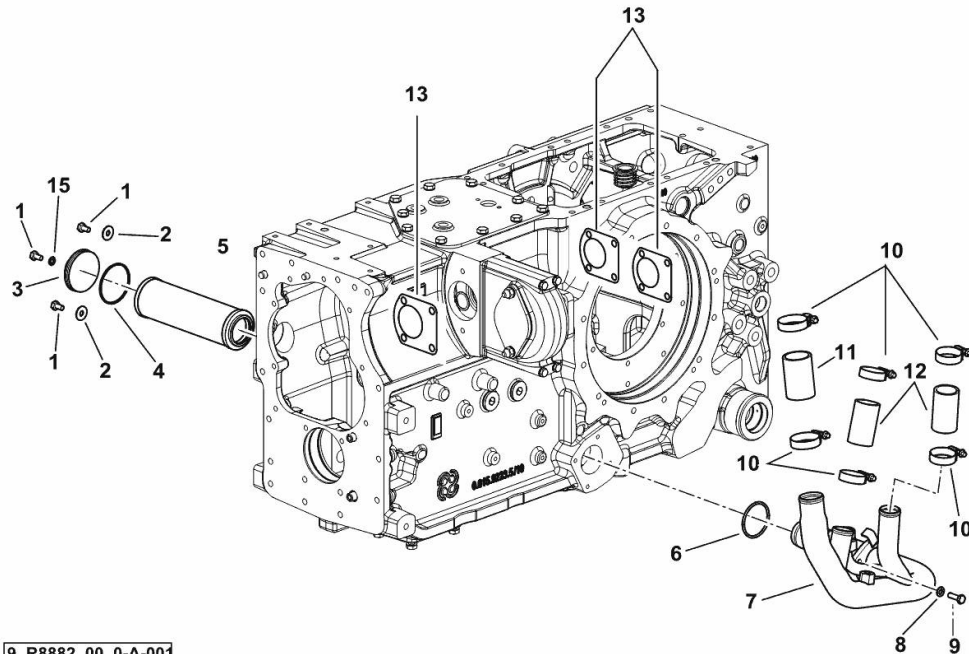
9_J1582_00_0-A-001

OIL SUCTION

Fig.	P/n	QTY	Name
------	-----	-----	------

Notes:

- FOR TYPES WITH 8-WAY REMOTE VALVE WITH FLOW CONTROL [Virtus 130 Infinity] - FOR TYPES WITH ELECTRICAL REMOTE VALVE CONTROL [Virtus 130 Infinity]



1	2.0112.204.2	3	screw m 8 p.1.25x14
2	2.1312.004.3	2	washer 8,4x24x2
3	0.013.8789.0/10	1	cover
4	2.1530.157.0	1	oil seal 64.77x2.62
5	2.4419.795.0	1	hydr.oil filter elem.
6	2.1532.138.0	1	oil seal 55.56x3.53
7	0.017.5872.3	1	tube
8	2.1310.004.2	3	flat washer 8.4x17
9	2.0112.209.2	3	screw m 8 p 1.25 x 25
10	2.6851.004.0	4	clamp Ø 32/50
11	2.3213.240.0	1	sleeve
12	2.3213.234.0	2	sleeve Ø 34, L 70
13	0.9104.250.0/10	3	gasket
15	2.1560.004.0	1	copper gasket 8.2 x 14

9_R8882_00_0-A-001

Virtus 130 Infinity

Section: H0 - HYDRAULIC AND PNEUMATIC SYSTEM|

Ref: H0.01.10 (1)

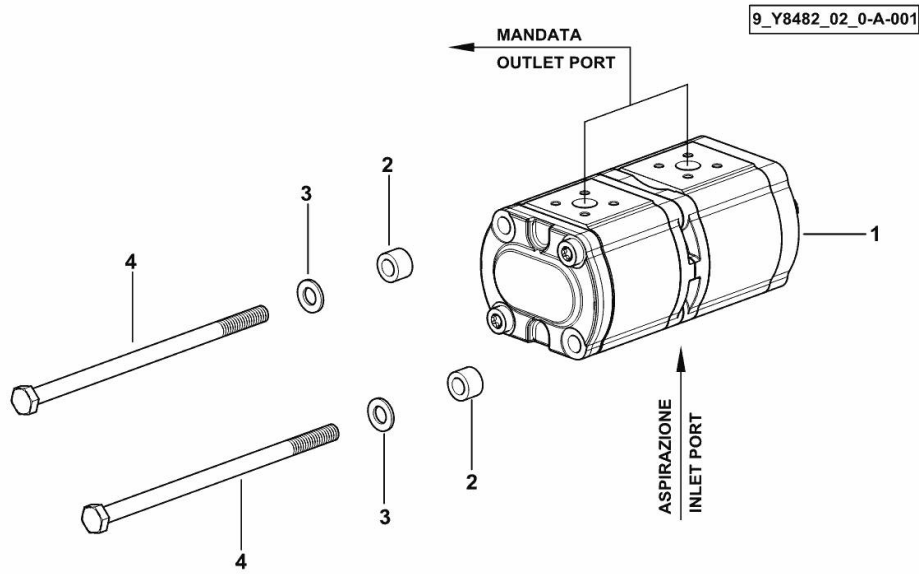
HYDRAULIC PUMP 14 + 11 cm³, dx/rh/re

Fig.	P/n	QTY	Name
------	-----	-----	------

Notes:

[Virtus 130 Infinity]

1	2.4539.860.0	1	hydraulic pump 14 + 11 cm ³ , dx/rh/re, (BOSCH)
2	2.1549.781.2	2	spacer 10.5x12x18
3	2.1475.003.2	2	washer 10
4	2.0113.346.2	2	screw m 10 p1.5 x 200



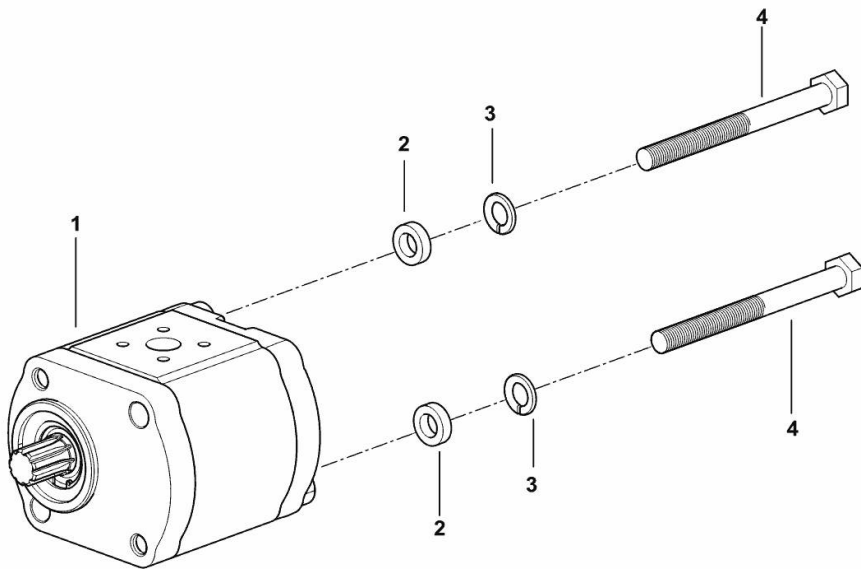
HYDRAULIC PUMP 14 cc dx/rh/re

Fig.	P/n	QTY	Name
------	-----	-----	------

Notes:

[Virtus 130 Infinity]

1	2.4539.480.0/10	1	hydraulic pump 14 cc dx/rh/re - BOSCH ☞ 2.4539.480.0/10
2	2.1549.321.0	2	spacer 10.5X18X5
3	2.1474.010.2	2	washer 10
4	2.0112.331.2	2	screw m 10 p.1.5x110



9_R8982_01_0-A-001

Virtus 130 Infinity

Section: H0 - HYDRAULIC AND PNEUMATIC SYSTEM|

Ref: H0.01.12 (1)

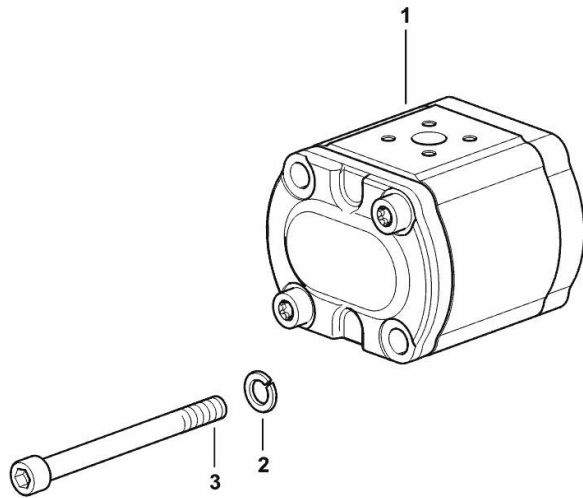
HYDRAULIC PUMP 22.5 cc - dx/rh/re

Fig.	P/n	QTY	Name
------	-----	-----	------

Notes:

[Virtus 130 Infinity]

1	2.4539.620.0/10	1	hydraulic pump 22.5 cc dx/rh/re - BOSCH - ☞ 2.4539.620.0/10
2	2.1480.015.2	2	washer 10
3	2.0169.019.2	2	screw m 10x135



9_21082_01_0-A-001

Virtus 130 Infinity

Section: H0 - HYDRAULIC AND PNEUMATIC SYSTEM]

Ref: H0.01.13 (1)

QUIET-RUNNING HYDRAULIC PUMP 16 cm³, sx/lh/li

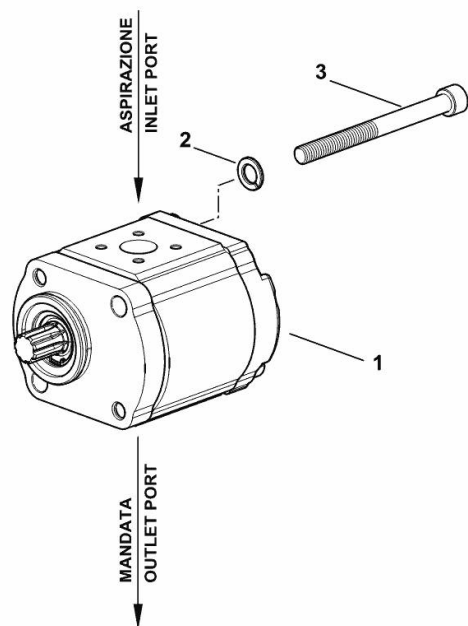
Fig.	P/n	QTY	Name
------	-----	-----	------

Notes:

[Virtus 130 Infinity]

1	2.4539.015.0	1	hydraulic pump 16 cm ³ , sx/lh/li - BOSCH
2	2.1474.010.2	2	washer 10
3	2.0312.327.2	2	screw m 10 p.1.5x110

9_Y8182_01_0-A-001



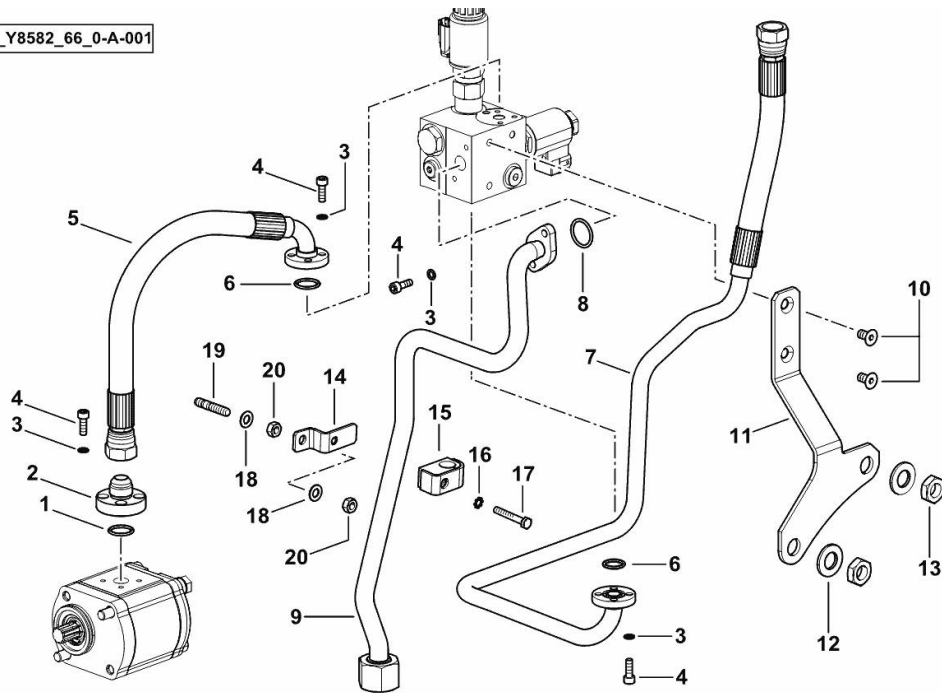
HYDRAULIC SYSTEM

Fig.	P/n	QTY	Name
------	-----	-----	------

Notes:

- FOR TYPES WITH 8-WAY REMOTE VALVE WITH FLOW CONTROL [Virtus 130 Infinity]

9_Y8582_66_0-A-001



1	2.1531.052.0	1	oil seal 20.29 x 2.62
2	0.010.9142.0/10	1	flange
3	2.1480.012.2	12	washer 6, d128
4	2.0312.105.2	12	screw m 6 p.1 x 18
5	0.019.5740.3	1	tube
6	2.1531.043.0	2	oil seal 17.13x2.62
7	0.019.5376.3	1	tube
8	2.1531.062.0	1	oil seal 23.81 x 2.62
9	0.019.5391.3	1	tube
10	2.0342.303.6	2	screw m 8 p. 1.25x16
11	0.019.5710.0	1	bracket
12	2.1310.009.2	2	flat washer 15x20
13	2.1011.508.2	2	nut m 14 p.1.5
14	0.020.0426.3	1	bracket
15	2.3320.108.0	1	terminal
16	2.1470.002.2	1	lock washer 6
17	2.0112.015.2	1	screw m 6 p.1x40
18	2.1310.004.2	2	flat washer 8.4x17
19	2.0422.207.2	1	stud bolt m 8 p 1.25 x 30
20	2.1011.105.2	2	nut m 8 p.1.25

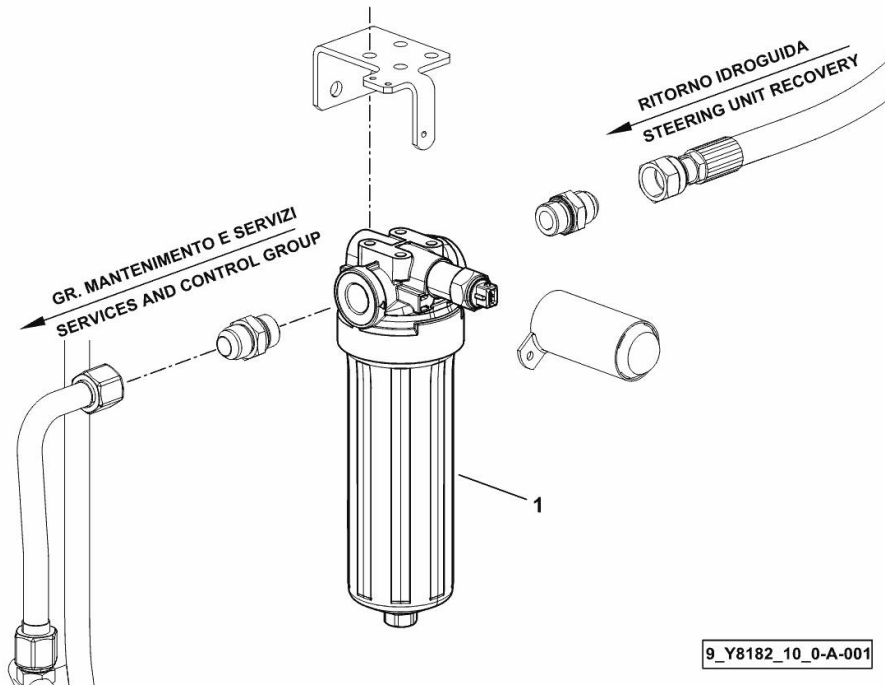
OIL PRESSURE LINE FILTER

Fig.	P/n	QTY	Name
------	-----	-----	------

Notes:

[Virtus 130 Infinity]

1	2.4419.813.0	1	oil filter 9" ☞ 2.4419.813.0
---	--------------	---	---------------------------------



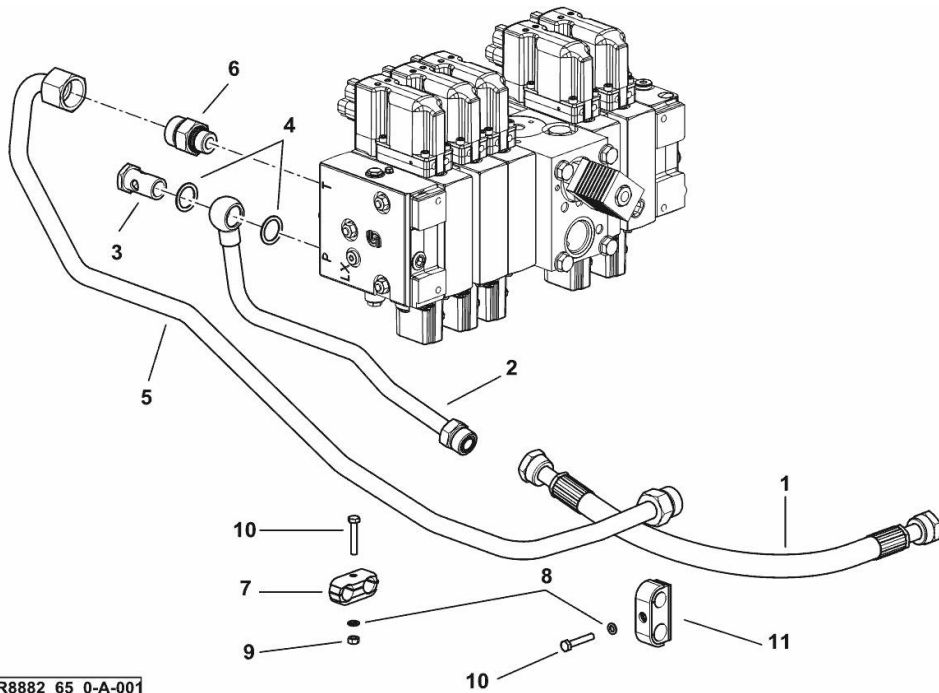
HYDRAULIC SYSTEM FOR SECOND PUMP

Fig.	P/n	QTY	Name
------	-----	-----	------

Notes:

- FOR TYPES WITH ELECTRICAL REMOTE VALVE CONTROL [Virtus 130 Infinity]

1	0.017.8992.3	1	tube
2	0.017.8991.3	1	tube
3	2.3335.009.2	1	pipe union m 22 p.1.5 x 39
4	2.1560.018.0	2	gasket 22.2 x 29
5	0.017.8993.3	1	tube
6	2.3275.016.0	1	pipe fitting m 22
7	2.3321.020.0	1	collar Ø 16/16
8	2.1470.002.2	2	lock washer 6
9	2.1011.103.2	1	nut m 6 p.1
10	2.0112.013.2	2	screw m 6 p.1 x 35
11	2.3320.217.0	1	collar Ø 16/18



9_R8882_65_0-A-001

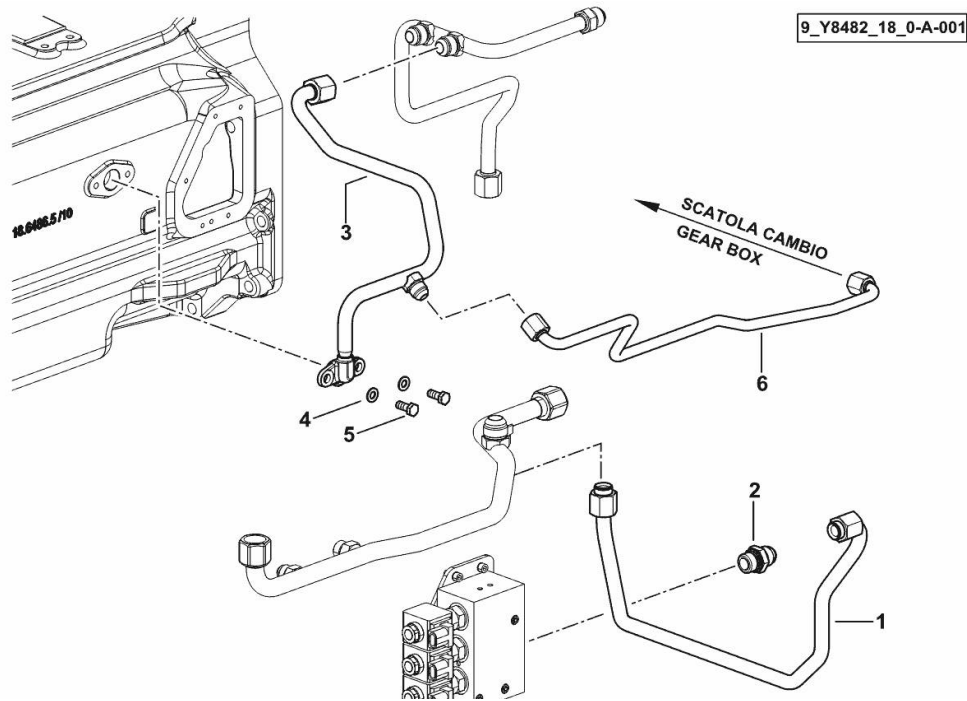
HYDRAULIC SYSTEM PARTS KIT H-M-L

Fig.	P/n	QTY	Name
------	-----	-----	------

Notes:

- POWERSHIFT [Virtus 130 Infinity]

1	0.019.3782.3	1	tube
2	2.3249.173.2	1	pipe fitting M/M 7/8 JIC-M22
3	0.019.3783.3/10	1	tube
4	2.1310.004.2	2	flat washer 8.4x17
5	2.0112.207.2	2	screw m 8 p 1.25 x 20
6	0.020.0667.3	1	tube



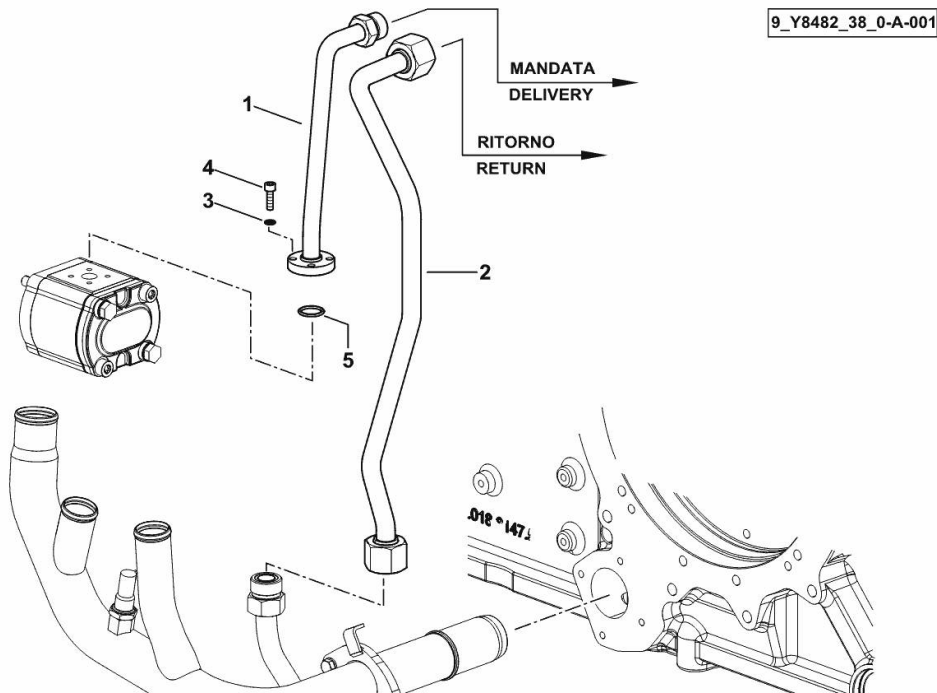
HYDRAULIC SYSTEM PARTS KIT

Fig.	P/n	QTY	Name
------	-----	-----	------

Notes:

- FOR TYPES WITH ELECTRICAL REMOTE VALVE CONTROL [Virtus 130 Infinity]

1	0.017.8994.3	1	tube - DELIVERY
2	0.019.5678.3	1	tube - RETURN
3	2.1480.012.2	4	washer 6, d128
4	2.0312.106.2	4	screw m 6 p.1 x 20
5	2.1531.052.0	1	oil seal 20.29 x 2.62



Thank you so much for reading.
Please click the “Buy Now!”
button below to download the
complete manual.



After you pay.

You can download the most
perfect and complete manual in
the world immediately.

Our support email:

ebooklibonline@outlook.com