

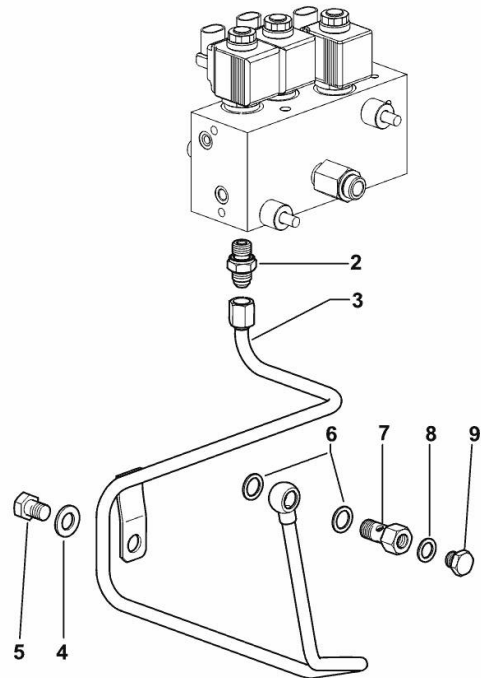
**HI-LO HYDRAULIC SYSTEM**

Fig.	P/n	QTY	Name
------	-----	-----	------

**Notes:**

[Virtus J 110 -> ZKDY490100TS10001] [Virtus J 110 -> ZKDY490200TS10001]

2	2.3249.159.2	1	pipe fitting M/M 9/16JIC-M14
3	0.015.1342.3/10	1	tube
4	2.0112.405.2	1	screw m 12 p.1.75x16
5	2.1475.004.7	1	washer 13 x 24
6	2.1560.010.0	2	gasket 14.2 x 20
7	2.3339.860.2/20	1	pipe union m 14 p.1.5
8	2.1560.008.0	1	gasket 12.2 x 18
9	2.3110.402.2	1	plug m 12 p.1.5



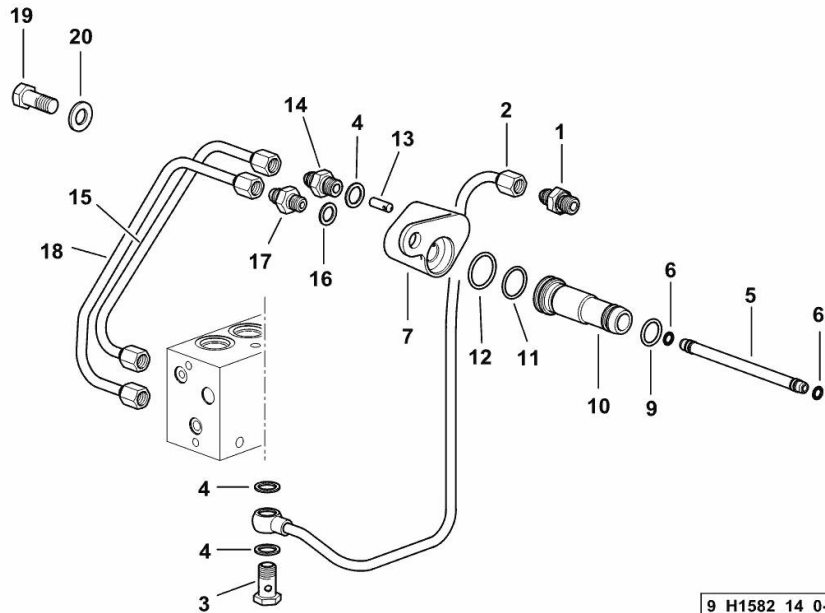
9\_H1582\_18\_0-A-002

**DIFFERENTIAL LOCK / P.T.O. ASSEMBLY**

Fig.	P/n	QTY	Name
------	-----	-----	------

**Notes:**

[Virtus J 110 -> ZKDY490100TS10001] [Virtus J 110 -> ZKDY490200TS10001]



9\_H1582\_14\_0-A-002

1	2.3249.156.2	1	pipe fitting M/M 1/2 JIC-M14x1.5
2	0.014.7538.3	1	tube
3	2.3335.006.2	1	pipe union m 14 p.1.5X26
4	2.1560.010.0	3	gasket 14.2 x 20
5	0.008.2727.0/40	1	tube
6	2.1531.012.0	2	oil seal 6.75 x 1.78
7	0.006.6168.3/10	1	flange
9	2.1531.043.0	1	oil seal 17.13x2.62
10	0.008.2726.0/20	1	tube
11	2.1531.048.0	1	oil seal 18.72x2.62
12	2.1531.066.0	1	oil seal 25.07x2.62
13	0.010.1827.0/10	1	ferrule
14	2.3249.026.2/10	1	pipe fitting m 14x1.5 - 1/2"-20jic
15	0.014.7561.3	1	tube
16	2.1560.008.0	1	gasket 12.2 x 18
17	2.3249.229.2	1	pipe fitting
18	0.014.7540.3	1	tube
19	2.0112.411.2	1	screw m 12 p.1.75 x 30
20	2.1310.007.2	1	flat washer 13 x 24

Virtus J 110 -> ZKDY490200TS10001

Section: H0 - HYDRAULIC AND PNEUMATIC SYSTEM]

Ref: H0.01.59 (1)

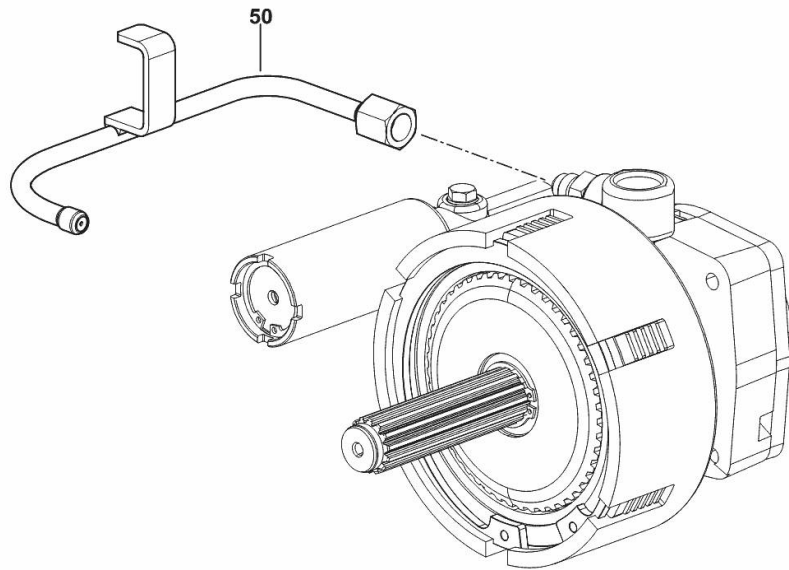
**LUBRICATION LINE FOR ELECTRO HYDRAULICALLY CONTROLLED  
PTO HYDRAULIC CLUTCH**

Fig.	P/n	QTY	Name
------	-----	-----	------

**Notes:**

[Virtus J 110 -> ZKDY490100TS10001] [Virtus J 110 -> ZKDY490200TS10001]

50	0.020.7922.3	1	tube
----	--------------	---	------



9\_Y5239\_00\_0-B-001

Virtus J 110 -> ZKDY490200TS10001

Section: H0 - HYDRAULIC AND PNEUMATIC SYSTEM]

Ref: H0.01.62 (1)

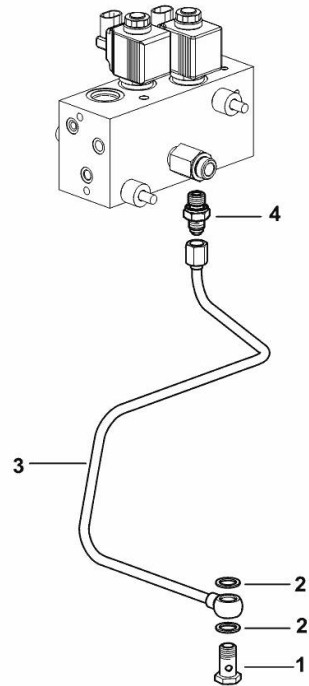
**4WD - ELECTROHYDRAULIC ENGAGEMENT CONTROL**

Fig.	P/n	QTY	Name
------	-----	-----	------

**Notes:**

[Virtus J 110 -> ZKDY490200TS10001]

1	2.3335.006.2	1	pipe union m 14 p.1.5X26
2	2.1560.010.0	2	gasket 14.2 x 20
3	0.015.6628.3/10	1	tube
4	2.3249.156.2	1	pipe fitting M/M 1/2 JIC-M14x1.5



9\_J1582\_16\_0-A-001

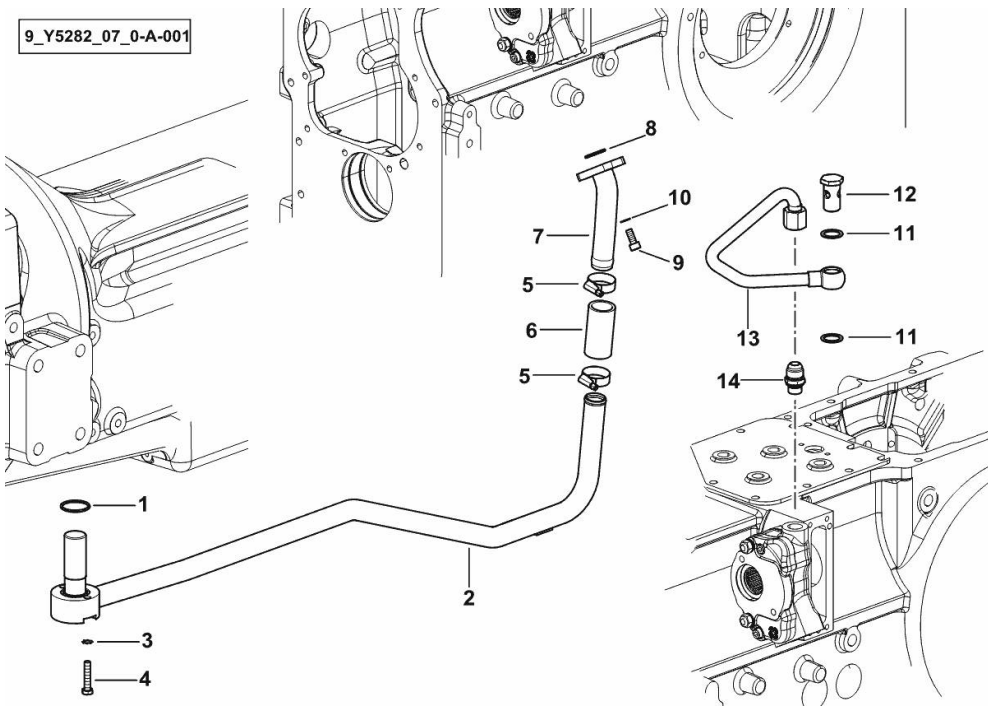
**HYDRAULIC SYSTEM - SUCTION LINE OIL LIFT PUMP**

Fig.	P/n	QTY	Name
------	-----	-----	------

**Notes:**

[Virtus J 110 -> ZKDY490100TS10001] [Virtus J 110 -> ZKDY490200TS10001]

1	2.1531.091.0	1	oil seal 34.60 x 2.62
2	0.020.7497.3	1	tube
3	2.1470.004.2	2	lock washer 8
4	2.0112.215.2	2	screw m 8 p.1.25 x 40
5	2.6851.004.0	2	clamp Ø 32/50
6	2.3213.228.0	1	sleeve
7	0.020.7495.3	1	tube
8	2.1531.062.0	1	oil seal 23.81 x 2.62
9	2.0312.206.2	2	screw m 8 p 1.25 x 20
10	2.1480.014.2	2	washer 8
11	2.1560.018.0	2	gasket 22.2 x 29
12	2.3335.009.2	1	pipe union m 22 p.1.5 x 39
13	0.015.1335.3	1	tube
14	2.3249.141.2	1	pipe fitting 7/8 JIC-M18



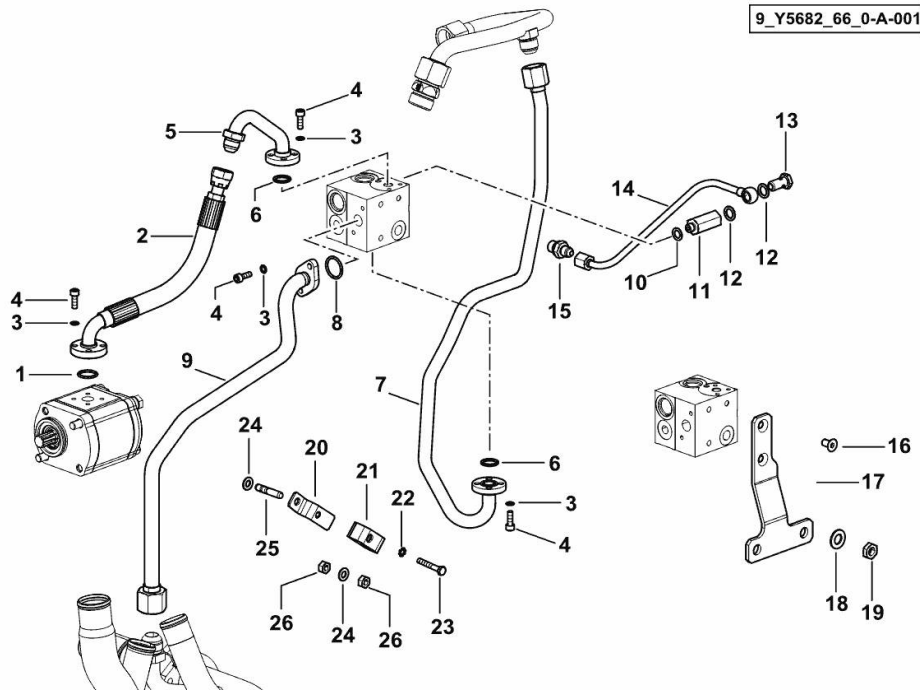
9\_Y5282\_07\_0-A-001

**HYDRAULIC SYSTEM PARTS KIT lt. 60 ECO**

Fig.	P/n	QTY	Name
------	-----	-----	------

**Notes:**

- FOR TYPES WITH HYDRAULIC PARK BRAKE [Virtus J 110 -> ZKDY490200TS10001]



1	2.1531.052.0	1	oil seal 20.29 x 2.62
2	0.020.7857.3	1	tube
3	2.1480.012.2	11	washer 6, d128
4	2.0312.105.2	11	screw m 6 p.1 x 18
5	0.020.9193.3	1	tube
6	2.1531.043.0	2	oil seal 17.13x2.62
7	0.020.7859.3	1	tube
8	2.1531.062.0	1	oil seal 23.81 x 2.62
9	0.020.7860.3/10	1	tube
10	2.1560.006.0	1	gasket 10.2 x 16
11	0.020.2813.3	1	valve
12	2.1560.008.0	2	gasket 12.2 x 18
13	2.3335.005.2	1	pipe union m 12 p.1.5 x 24
14	0.020.9141.3	1	tube
15	2.3249.156.2	1	pipe fitting M/M 1/2 JIC-M14x1.5
16	2.0342.303.6	2	screw m 8 p. 1.25x16
17	0.020.7861.0	1	bracket
18	2.1475.004.7	2	washer 13 x 24
19	2.1011.207.2	2	nut m 12 p.1.5
20	0.020.0426.3	1	bracket
21	2.3320.108.0	1	terminal
22	2.1470.002.2	1	lock washer 6
23	2.0112.015.2	1	screw m 6 p.1x40
24	2.1310.004.2	2	flat washer 8.4x17
25	2.0422.207.2	1	stud bolt m 8 p 1.25 x 30
26	2.1011.105.2	2	nut m 8 p.1.25

Virtus J 110 -> ZKDY490200TS10001

Section: H0 - HYDRAULIC AND PNEUMATIC SYSTEM|

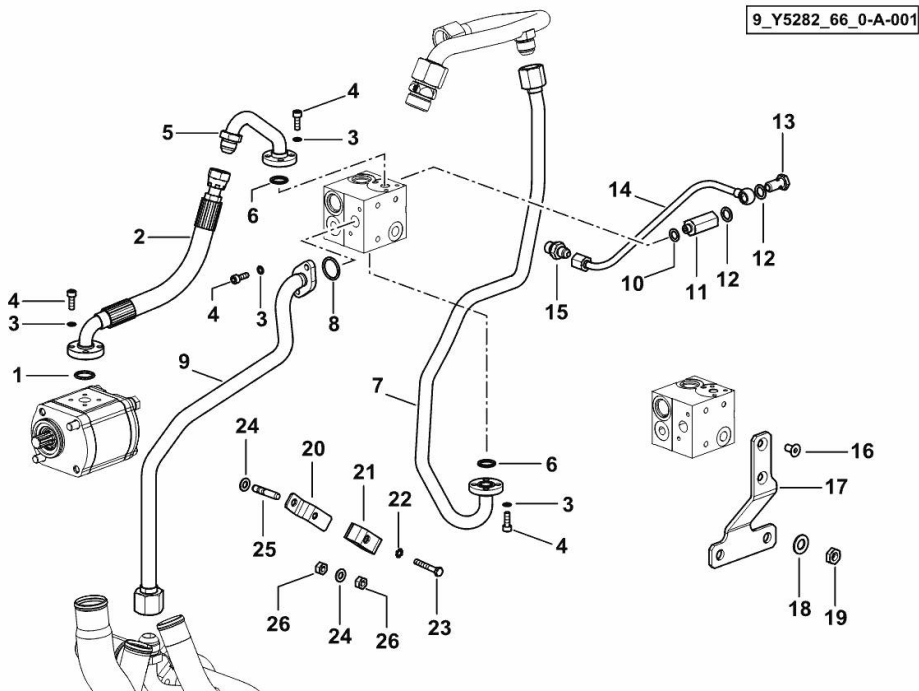
Ref: H0.01.66 (1)

**HYDRAULIC SYSTEM PARTS KIT lt. 60 ECO**

Fig.	P/n	QTY	Name
------	-----	-----	------

**Notes:**

- 60 LT ECO [Virtus J 110 -> ZKDY490100TS10001] - 60 LT ECO [Virtus J 110 -> ZKDY490200TS10001]



1	2.1531.052.0	1	oil seal 20.29 x 2.62
2	0.020.7857.3	1	tube
3	2.1480.012.2	11	washer 6, d128
4	2.0312.105.2	11	screw m 6 p.1 x 18
5	0.020.9193.3	1	tube
6	2.1531.043.0	2	oil seal 17.13x2.62
7	0.020.7859.3	1	tube
8	2.1531.062.0	1	oil seal 23.81 x 2.62
9	0.020.7860.3/10	1	tube
10	2.1560.006.0	1	gasket 10.2 x 16
11	0.020.2813.3	1	valve
12	2.1560.008.0	2	gasket 12.2 x 18
13	2.3335.005.2	1	pipe union m 12 p.1.5 x 24
14	0.020.9141.3	1	tube
15	2.3249.156.2	1	pipe fitting M/M 1/2 JIC-M14x1.5
16	2.0342.303.6	2	screw m 8 p. 1.25x16
17	0.020.7856.0	1	bracket
18	2.1475.004.7	2	washer 13 x 24
19	2.1011.207.2	2	nut m 12 p.1.5
20	0.020.0426.3	1	bracket
21	2.3320.108.0	1	terminal
22	2.1470.002.2	1	lock washer 6
23	2.0112.015.2	1	screw m 6 p.1x40
24	2.1310.004.2	2	flat washer 8.4x17
25	2.0422.207.2	1	stud bolt m 8 p 1.25 x 30
26	2.1011.105.2	2	nut m 8 p.1.25

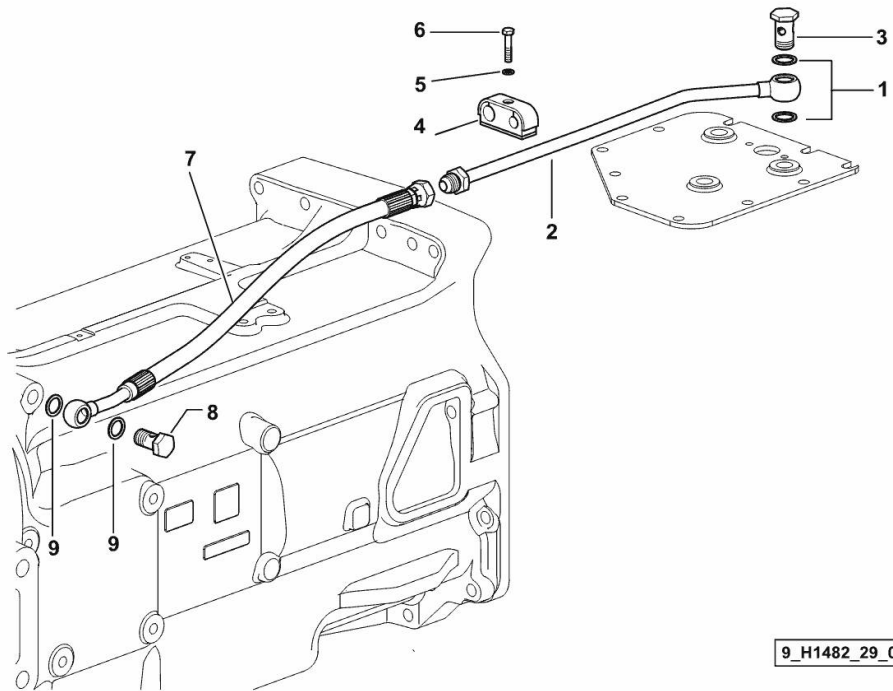
**GEARBOX BREATHER SYSTEM**

Fig.	P/n	QTY	Name
------	-----	-----	------

**Notes:**

[Virtus J 110 -> ZKDY490100TS10001] [Virtus J 110 -> ZKDY490200TS10001]

1	2.1560.014.0	2	washer 18.2 x 24
2	0.015.2325.3	1	tube
3	2.3335.008.2	1	pipe union m 18 p.1.5 x 32
4	2.3320.213.0	1	collar Ø 12/16
5	2.1470.002.2	1	lock washer 6
6	2.0112.011.2	1	screw m 6 p.1x30
7	0.015.2326.3	1	tube
8	2.3332.005.2	1	pipe fitting m 16 p.1.5
9	2.1560.012.0	2	gasket 16.2 x 22



9\_H1482\_29\_0-A-001



**FRONT DIFFERENTIAL LOCK CONTROL LINES**

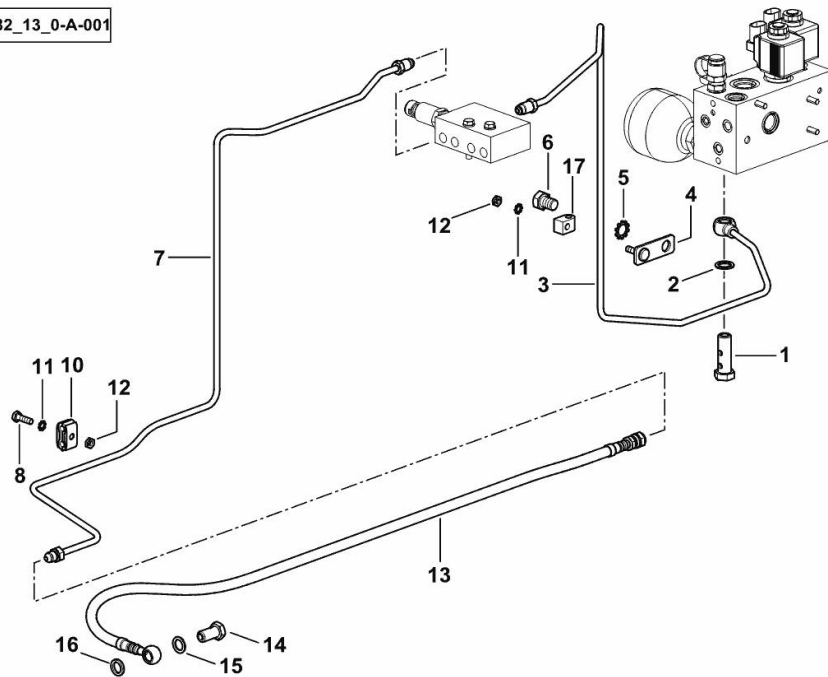
Fig.	P/n	QTY	Name
------	-----	-----	------

**Notes:**

[Virtus J 110 -> ZKDY490200TS10001]

1	2.3339.280.2	1	pipe union m 14 p.1.5X42
2	2.1560.010.0	1	gasket 14.2 x 20
3	0.020.7735.3	1	tube
4	0.020.7709.3	1	bracket
5	2.1470.007.2	2	lock washer 12
6	2.0112.405.2	1	screw m 12 p.1.75x16
7	0.020.7736.3	1	tube
8	2.0112.007.2	1	screw m 6 p.1 x 20
10	2.3321.002.0	1	terminal Ø 6.35
11	2.1470.002.2	2	lock washer 6
12	2.1011.203.2	2	nut m 6 p.1
13	0.019.2203.3	1	tube
14	2.3332.003.2	1	pipe union m 12 p.1.25 x 23
15	2.1560.008.0	1	gasket 12.2 x 18
16	2.1569.118.0	1	gasket 12.5x18x2.5
17	01141501	1	clamp Ø 6

9\_Y5282\_13\_0-A-001



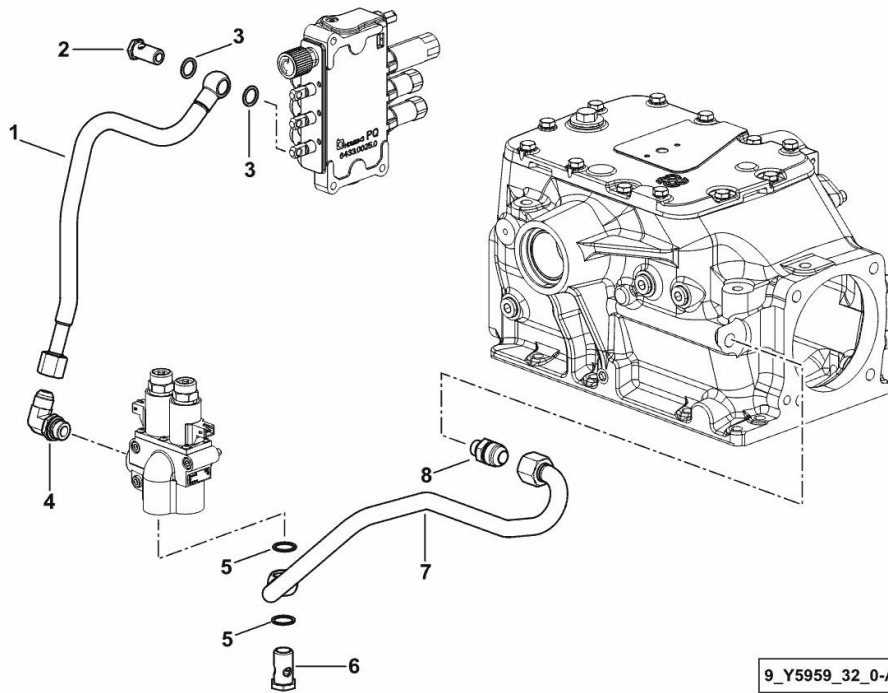
**ELECTRONIC LIFT CONTROL VALVE PIPES**

Fig.	P/n	QTY	Name
------	-----	-----	------

**Notes:**

[Virtus J 110 -> ZKDY490100TS10001] [Virtus J 110 -> ZKDY490200TS10001]

1	0.020.7907.3	1	tube
2	2.3339.295.2/10	1	pipe union m 18 p.1.5 x 35
3	2.1560.014.0	2	washer 18.2 x 24
4	2.3249.460.2	2	pipe fitting m 22 p.1.5 - 7/8
5	2.1560.017.0	2	gasket 22.2 x 27
6	2.3335.009.2	1	pipe union m 22 p.1.5 x 39
7	0.020.7933.3	1	tube
8	2.3249.148.2	1	pipe fitting m 18 - 1/16" JIC



9\_Y5959\_32\_0-A-001

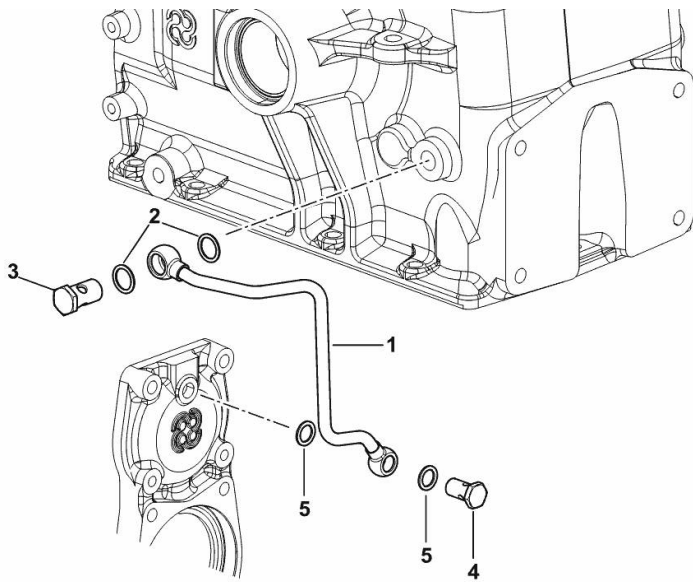
**P.T.O. BEARING LUBRICATION SYSTEM**

Fig.	P/n	QTY	Name
------	-----	-----	------

**Notes:**

[Virtus J 110 -> ZKDY490100TS10001] [Virtus J 110 -> ZKDY490200TS10001]

1	0.020.7718.3/10	1	tube
2	2.1560.018.0	2	gasket 22.2 x 29
3	2.3335.008.2	1	pipe union m 18 p.1.5 x 32
4	2.3335.006.2	1	pipe union m 14 p.1.5X26
5	2.1560.010.0	2	gasket 14.2 x 20



9\_Y5282\_38\_0-A-001

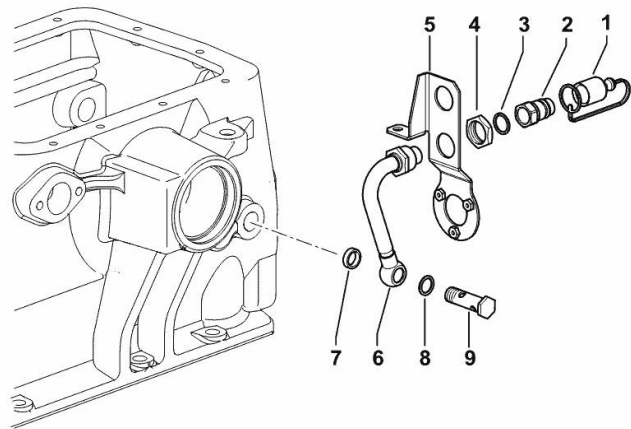
**FREE OIL RETURN**

Fig.	P/n	QTY	Name
------	-----	-----	------

**Notes:**

[Virtus J 110 -> ZKDY490100TS10001] [Virtus J 110 -> ZKDY490200TS10001]

1	0.009.3149.0	1	plug
2	0.98309.51.3/10	1	coupling 1/2
3	2.1560.054.0	1	gasket 21 x 26
4	2.1019.091.2	1	special nut m 30 p.1.5x8
5	0.015.7251.3/10	1	bracket
6	0.015.1858.3	1	tube
7	2.1569.158.0/10	1	gasket 18.2 x 24 x 6.5
8	2.1560.014.0	1	washer 18.2 x 24
9	2.3339.932.2/10	1	pipe union m 18 p.1.5 x 60



9\_H1588\_80\_0-A-001

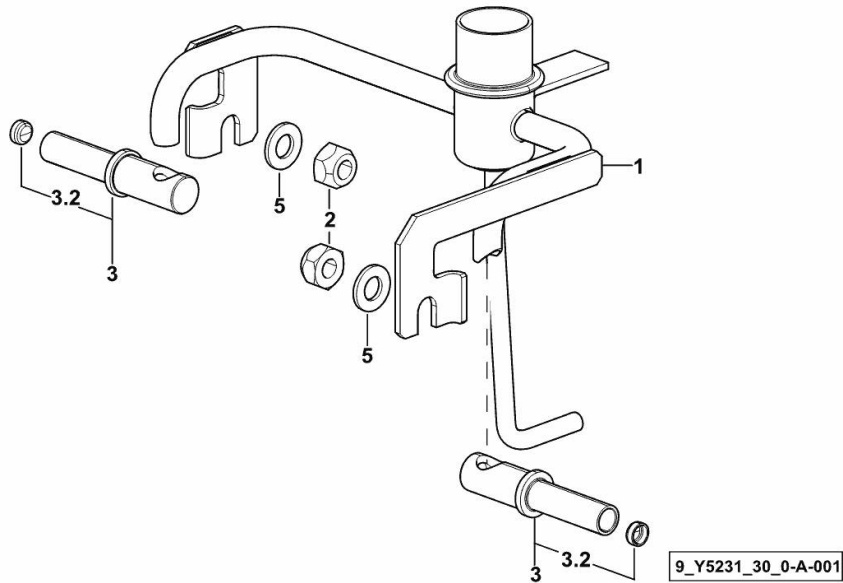
**BRAKES LUBRICATION PIPE**

Fig.	P/n	QTY	Name
------	-----	-----	------

**Notes:**

[Virtus J 110 -> ZKDY490200TS10001]

1	0.020.9455.2	1	tube
2	2.1121.007.2	2	nut m 10 p.1.5
3	0.016.4475.3	2	hub
3.2	2.3171.003.4	1	expansion plug 10
5	2.1310.006.2	2	flat washer 10.5x21



**BRAKES LUBRICATION PIPE**

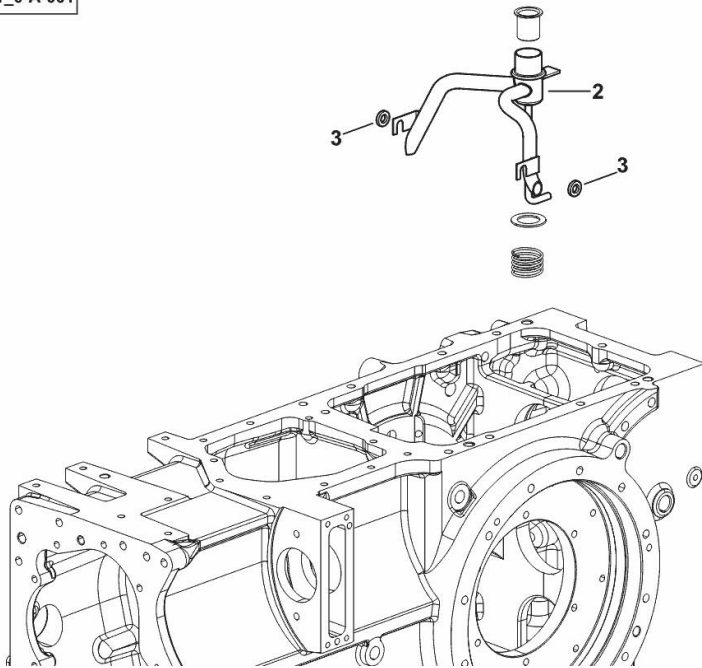
Fig.	P/n	QTY	Name
------	-----	-----	------

**Notes:**

[Virtus J 110 -> ZKDY490100TS10001] 10019 <- [Virtus J 110 -> ZKDY490200TS10001] 10019 <-

2	0.007.7035.2	1	tube
3	2.1599.210.0/10	2	spacer 10.5x19x4

9\_Y5231\_01\_0-A-001



**BRAKES LUBRICATION PIPE**

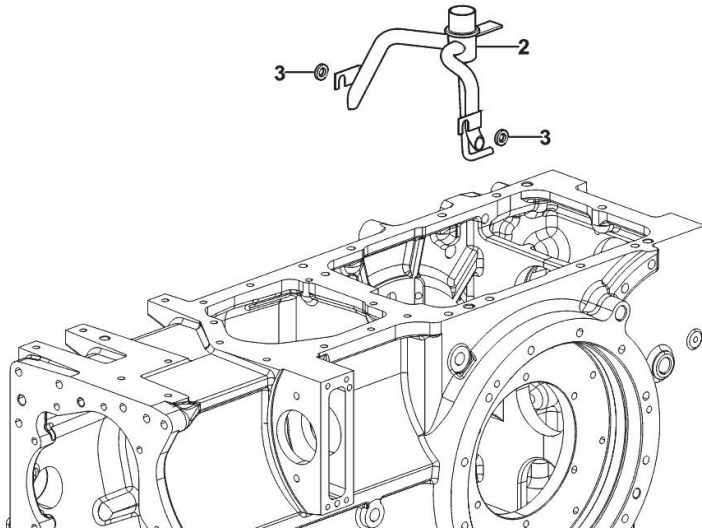
Fig.	P/n	QTY	Name
------	-----	-----	------

**Notes:**

[Virtus J 110 -> ZKDY490100TS10001] -> 10007 [Virtus J 110 -> ZKDY490200TS10001] -> 10007

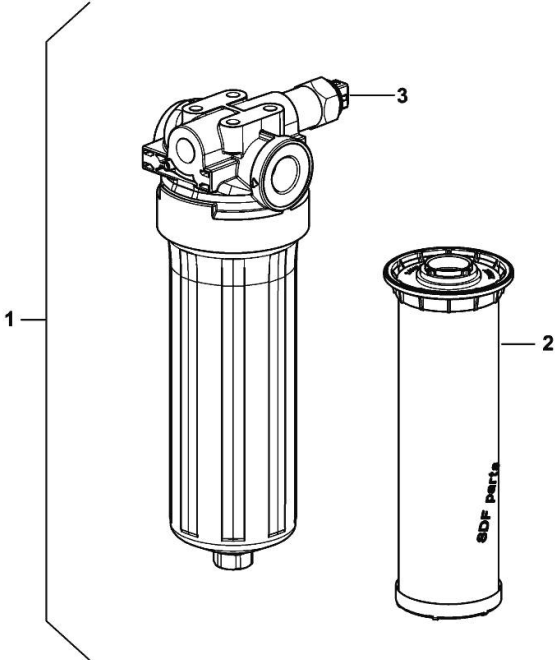
2	0.021.2253.2	1	tube
3	2.1599.210.0/10	2	spacer 10.5x19x4

9\_Y5231\_01\_0-A-002



**LUBRIC. OIL FILTER**

Fig.	P/n	QTY	Name
1	2.4419.813.0	1	oil filter 9"
2	2.4419.814.0	1	oil filter
3	0.900.2239.6	1	sensor

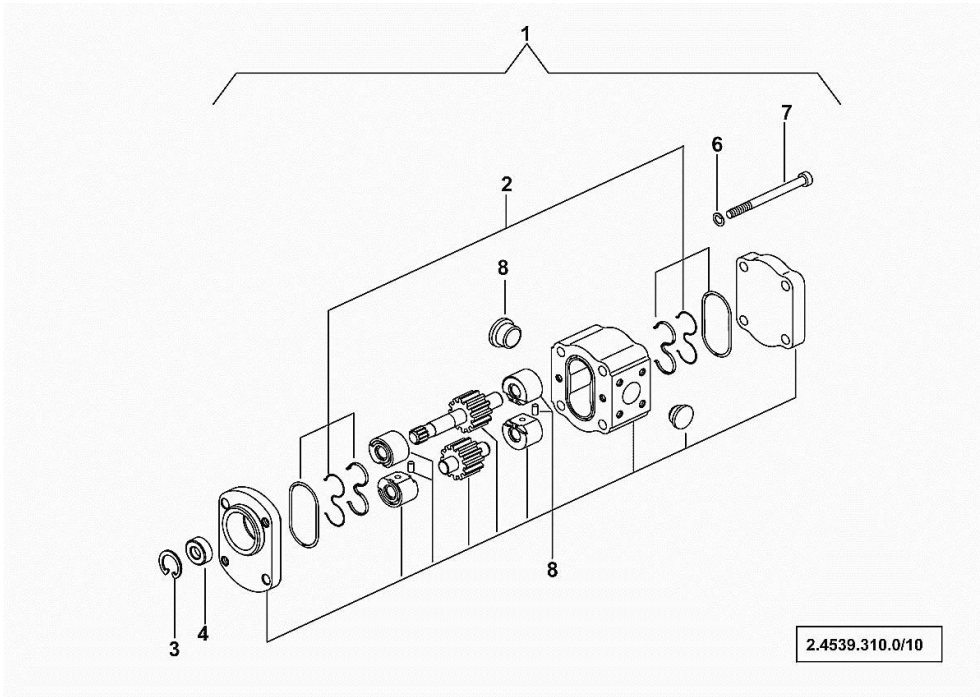


2.4419.813.0



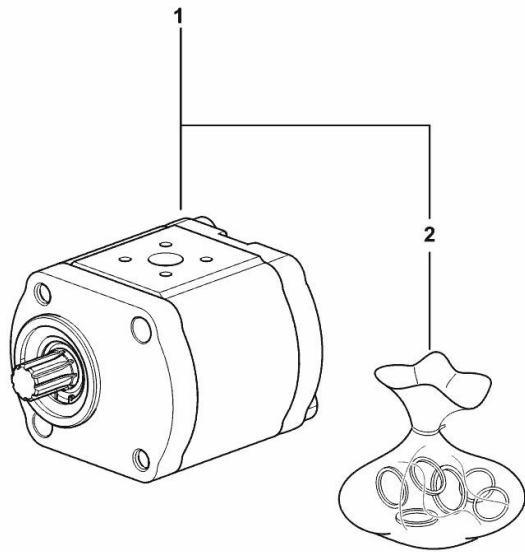
**HYDRAULIC PUMP PARTS**

Fig.	P/n	QTY	Name
1	2.4539.310.0	1	hydraulic pump 16cc sx/lh/li - BOSCH ☞ 2.4539.310.0
2	2.4529.330.1/10	1	seal ring kit
3	2.1411.012.1	1	circlip 30
4	0.009.4046.1	1	special oil seal
6	0.010.3145.0	2	spring washer
7	0.010.3548.0	2	screw
8	0.000.0000.1		cannot be supplied



**HYDRAULIC PUMP**

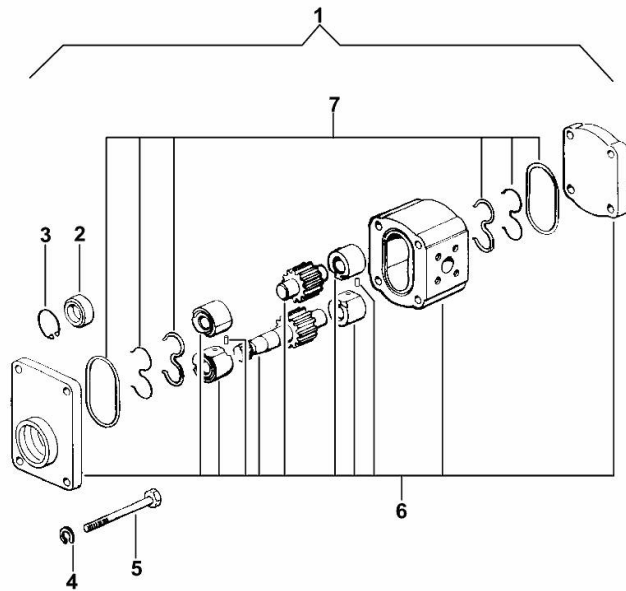
Fig.	P/n	QTY	Name
1	2.4539.480.0/10	1	hydraulic pump 14 cc dx/rh/re - BOSCH
2	0.900.1439.0	1	gasket set



2.4539.480.0/10

**HYDRAULIC PUMP PARTS**

Fig.	P/n	QTY	Name
1	2.4539.620.0/10	1	hydraulic pump 22.5 cc dx/rh/re - BOSCH -
2	0.009.4046.1	1	special oil seal
3	2.1411.012.1	1	circlip 30
4	0.000.0000.1		cannot be supplied
5	0.000.0000.1		cannot be supplied
6	0.000.0000.1		cannot be supplied
7	2.4529.330.1/10	1	seal ring kit



2\_4539\_620\_0\_10

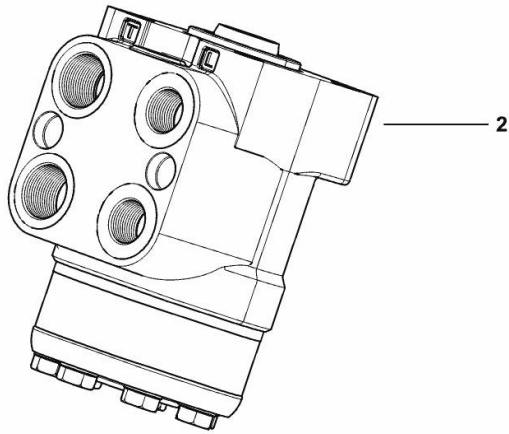
**HYDROSTATIC STEERING CONTROL VALVE**

Fig.	P/n	QTY	Name
------	-----	-----	------

**Notes:**

[Virtus J 110 -> ZKDY490200TS10001] [Virtus J 110 -> ZKDY490100TS10001]

2	2.4569.011.0	1	power steering ☞ 2.4569.011.0
---	--------------	---	----------------------------------



9\_R8863\_00\_0-A-001

Thank you so much for reading.  
Please click the “Buy Now!”  
button below to download the  
complete manual.



After you pay.

You can download the most  
perfect and complete manual in  
the world immediately.

Our support email:

[ebooklibonline@outlook.com](mailto:ebooklibonline@outlook.com)