

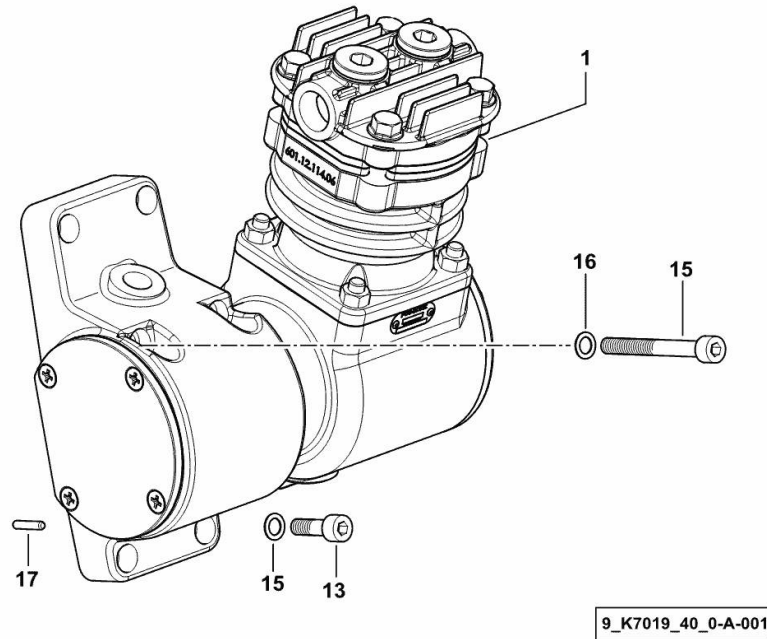
AIR COMPRESSOR

Fig.	P/n	QTY	Name
------	-----	-----	------

Notes:

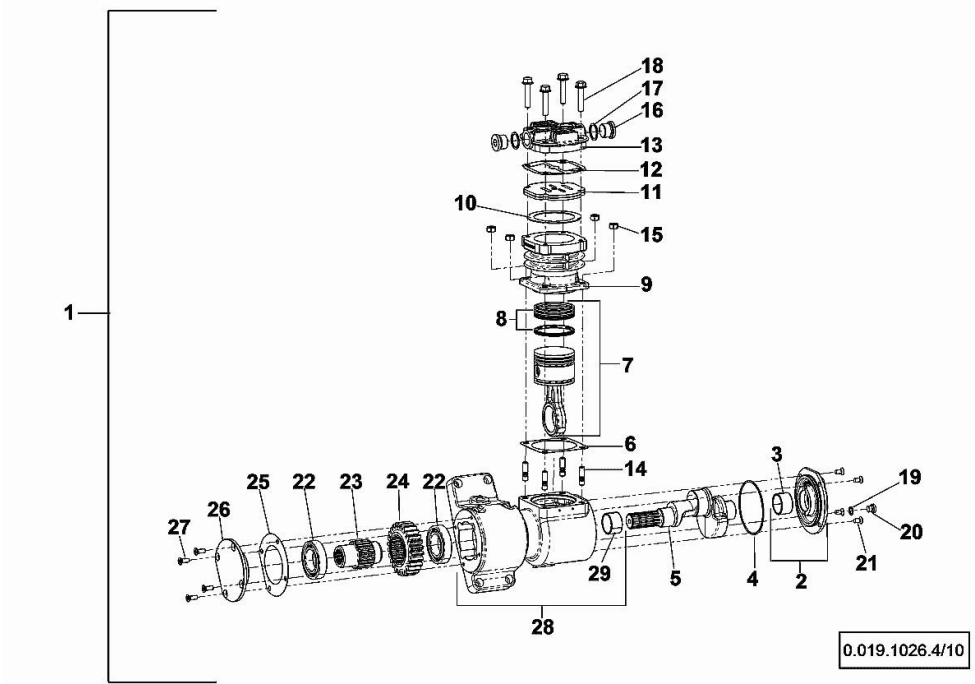
[VIRTUS J 90 -> ZKDY330100TS10001] [VIRTUS J 90 -> ZKDY330200TS10001]

1	0.019.1026.4/10	1	air compressor ☞ 0.019.1026.4/10
13	2.0312.208.2	4	screw m 8 p.1.25 x 25
15	2.1480.014.2	8	washer 8
16	2.0312.220.2	2	screw m 8 p.1.25x70
17	2.1650.309.0	2	pin 4 x 20



AIR COMPRESSOR

Fig.	P/n	QTY	Name
1	0.019.1026.4/10	1	air compressor
2	0.900.1993.1	1	cover
3	0.900.1993.2	1	bearing
4	0.900.1993.3	1	oil seal Ø 83x2
5	0.900.1993.4	1	shaft
6	0.900.1993.5	1	gasket
7	0.900.1993.6	1	complete piston
8	0.900.1993.7	1	spare parts kit
9	0.900.1993.8	1	cylinder
10	0.900.1993.9	1	gasket
11	0.900.1994.0	1	plate
12	0.900.1994.1	1	gasket
13	0.900.1994.2	1	head
14	0.900.1994.3	4	stud bolt m8x18
15	0.900.1994.4	4	nut m8
16	0.900.1994.5	2	plug m22x1,5
17	0.900.1994.6	2	gasket
18	0.900.1994.7	4	screw m8x40
19	0.900.1994.8	1	gasket
20	0.900.1994.9	1	plug m10X1
21	0.900.1995.0	1	screw m6x12
22	0.900.1995.1	2	bearing 35x62x14
23	0.900.1995.2	1	sleeve
24	0.900.2040.2	1	gear wheel
25	0.900.2039.8	1	gasket
26	0.900.2039.9	1	cover
27	0.900.2040.0	1	screw m6x16
28	0.900.2040.1	1	box
29	0.900.1993.2	1	bearing



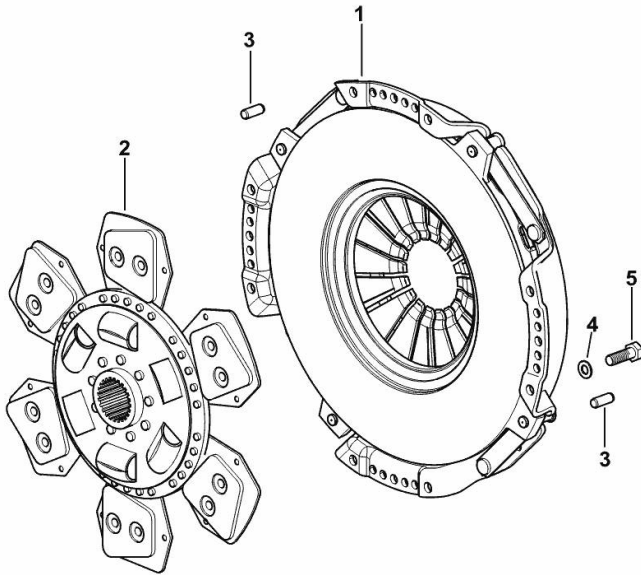
CLUTCH 12"

Fig.	P/n	QTY	Name
------	-----	-----	------

Notes:

[VIRTUS J 90 -> ZKDY330100TS10001] [VIRTUS J 90 -> ZKDY330200TS10001]

1	0.014.9017.3	1	clutch assy 12"
2	0.014.9016.3	1	clutch plate 12"
3	2.1699.173.0	4	pin 7.9x18
4	2.1475.002.2	8	conical washer 8
5	2.0112.207.2	8	screw m 8 p 1.25 x 20



9_H1223_00_0-A-001

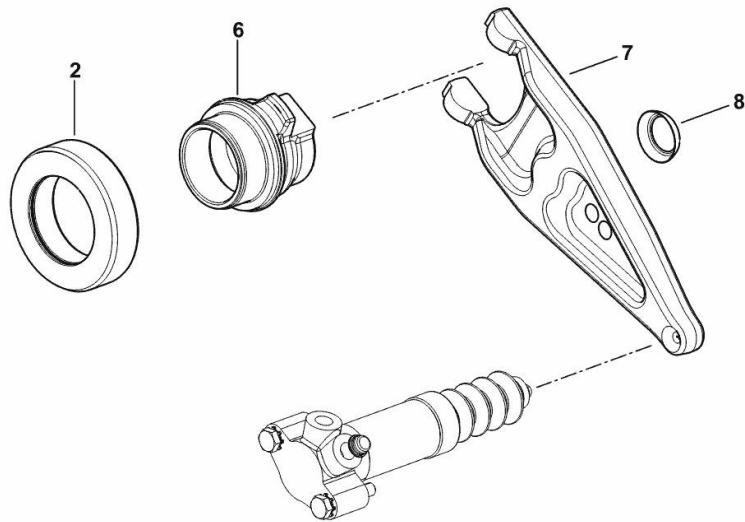
CLUTCH CONTROL

Fig.	P/n	QTY	Name
------	-----	-----	------

Notes:

[VIRTUS J 90 -> ZKDY330100TS10001] [VIRTUS J 90 -> ZKDY330200TS10001]

2	2.2999.475.0	1	special bearing 55x90x22
6	0.255.6533.0/30	1	sleeve
7	0.019.1539.3	1	fork
8	0.010.4940.0	1	container



9_AO165_00_0-B-001

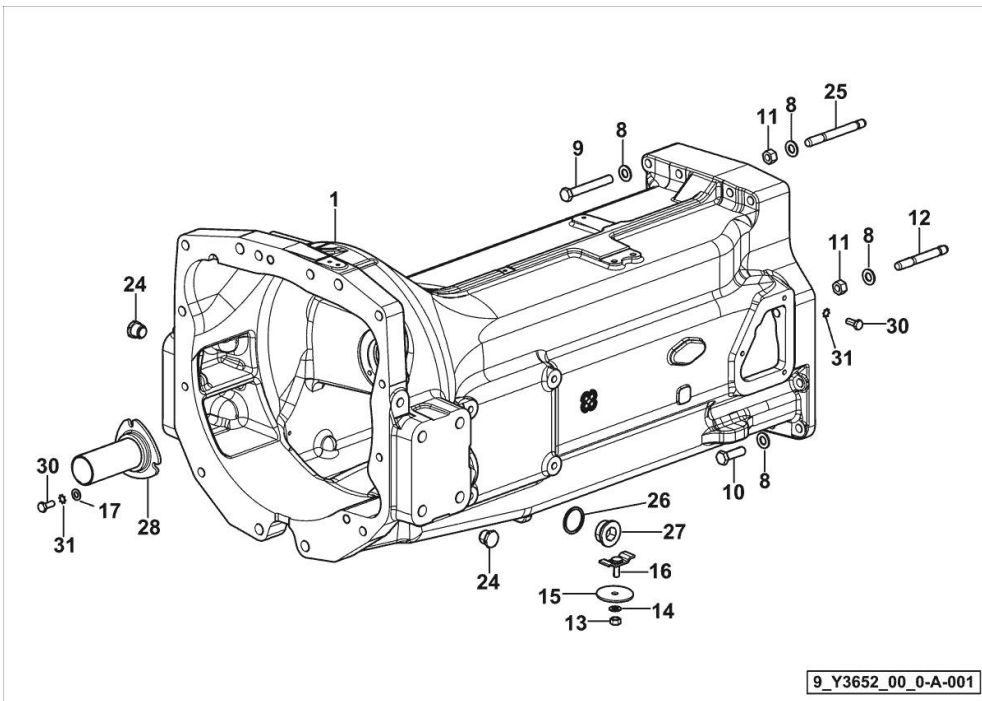
JUNCTION CASE

Fig.	P/n	QTY	Name
------	-----	-----	------

Notes:

[VIRTUS J 90 -> ZKDY330100TS10001] [VIRTUS J 90 -> ZKDY330200TS10001]

1	0.020.4222.0/10	1	gear box
8	2.1475.004.2	13	spring washer 12
9	2.0112.427.2	5	screw m 12 p.1.75 x 90
10	2.0112.415.2	5	screw m 12 p.1.75 x 40
11	2.1011.107.2	3	nut m 12 p.1.75
12	2.0422.422.7	2	stud bolt m 12 p.1.75x85
13	2.1011.105.2	1	nut m 8 p.1.25
14	2.1475.002.2	1	conical washer 8
15	0.007.3546.0	1	plug
16	0.007.3545.2	1	bracket
17	2.1310.004.2	3	flat washer 8.4x17
24	2.3199.363.0	8	plug m 20 p.2.5
25	2.0422.425.7	1	stud bolt m 12 p.1.75x100
26	2.1560.026.0	1	gasket 35.3x41
27	2.3199.002.2	1	plug 1 gas
28	0.255.5220.2/20	1	flange
30	2.0112.207.2	6	screw m 8 p 1.25 x 20
31	2.1470.004.2	6	lock washer 8



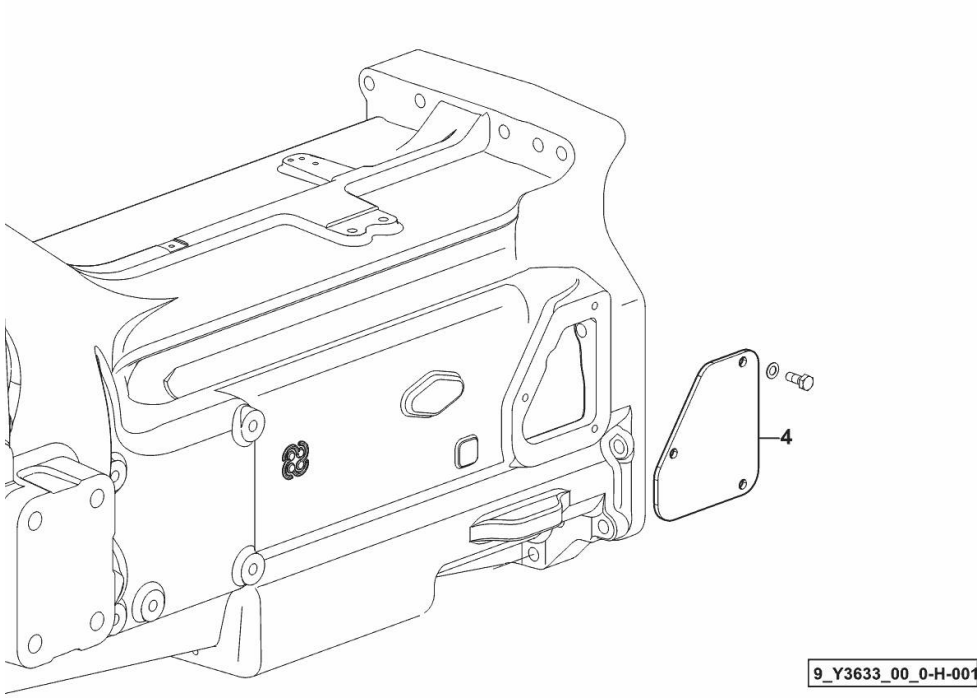
CLOSING COVER WITH 5-SPEED GEARBOX

Fig.	P/n	QTY	Name
------	-----	-----	------

Notes:

[VIRTUS J 90 -> ZKDY330100TS10001] [VIRTUS J 90 -> ZKDY330200TS10001]

4	0.010.5635.0/20	1	cover
---	-----------------	---	-------



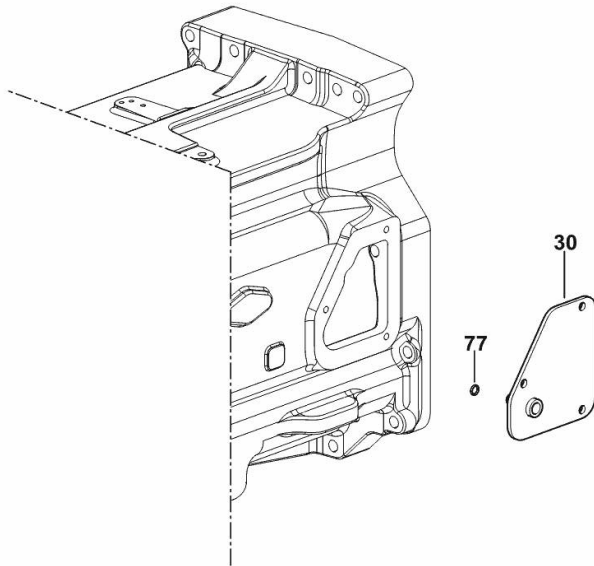
CLOSING COVER WITH 5-SPEED GEARBOX HI-LO

Fig.	P/n	QTY	Name
------	-----	-----	------

Notes:

[VIRTUS J 90 -> ZKDY330100TS10001] [VIRTUS J 90 -> ZKDY330200TS10001]

30	0.018.5663.2	1	cover
77	2.1530.014.0	1	oil seal



9_Y3633_01_0-H-001

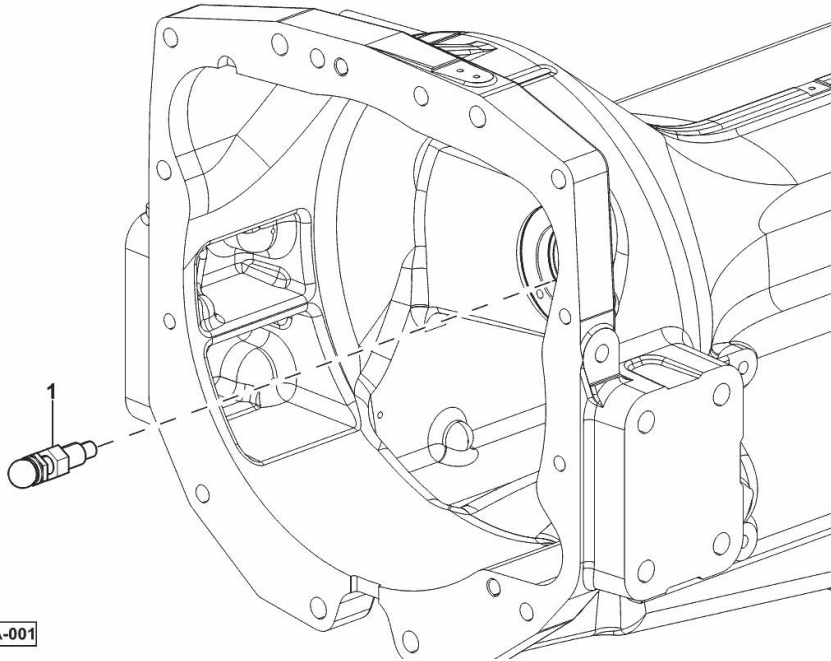
PIN

Fig.	P/n	QTY	Name
------	-----	-----	------

Notes:

[VIRTUS J 90 -> ZKDY330100TS10001] [VIRTUS J 90 -> ZKDY330200TS10001]

1	0.010.5420.0/10	1	pin m 12
---	-----------------	---	----------



9_Y3652_01_0-A-001

FIXING PARTS - MOTOR - GEARS

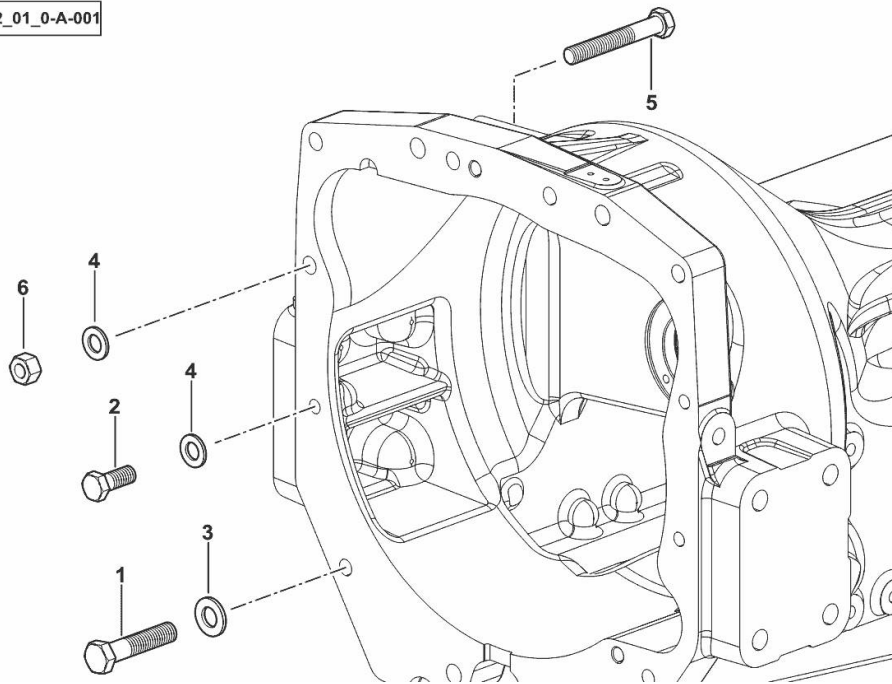
Fig.	P/n	QTY	Name
------	-----	-----	------

Notes:

[VIRTUS J 90 -> ZKDY330100TS10001] [VIRTUS J 90 -> ZKDY330200TS10001]

1	2.0112.624.2	2	screw m 16 p.2 x 75
2	2.0112.513.2	3	screw m 14 p.2 x 35
3	2.1475.006.2	2	spring washer 16
4	2.1475.005.2	4	washer 14
5	2.0113.529.2	1	screw m 14 p.2x100
6	2.1012.108.7	1	nut m 14 p.2

9_Y4852_01_0-A-001

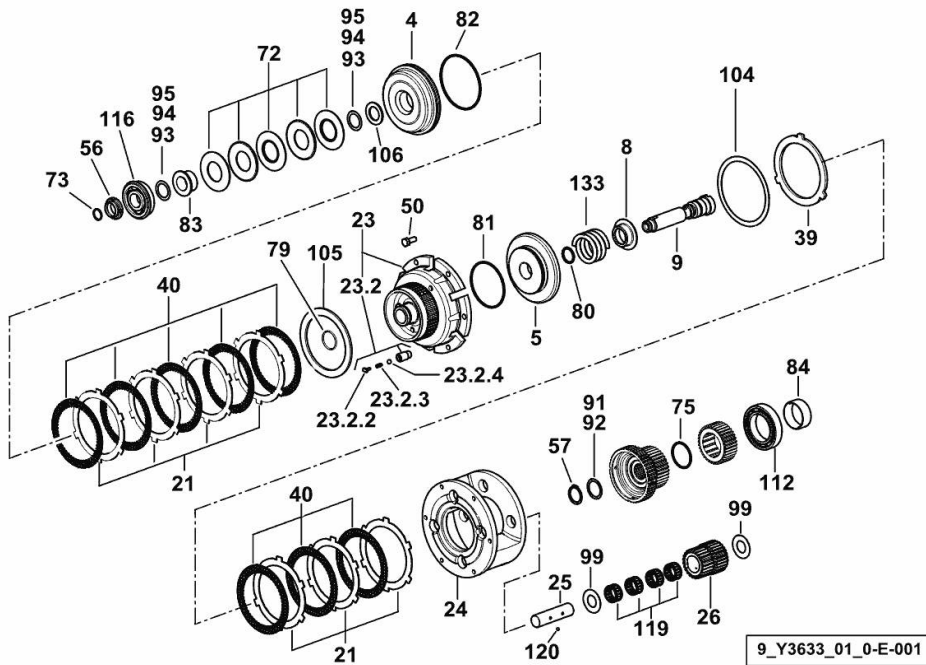


CLUTCHES ASSEMBLY WITH 5-SPEED GEARBOX HI-LO

Fig.	P/n	QTY	Name
------	-----	-----	------

Notes:

[VIRTUS J 90 -> ZKDY330100TS10001] [VIRTUS J 90 -> ZKDY330200TS10001]



4	0.007.3419.0/20	1	piston
5	0.007.3420.0/10	1	piston
8	0.007.3445.0	1	cup
9	0.007.3446.0/40	1	pin
21	0.013.9453.0	7	disc mm 1.75
23	0.014.9615.4/10	1	box
23.2	0.007.3557.3	2	valve
23.2.2	0.007.3558.0	1	ferrule
23.2.3	2.4019.408.1	1	spring
23.2.4	2.2810.003.0	1	ball mm 7.144
24	0.014.9652.0	1	spider
25	0.014.9695.0/10	4	pin
26	0.014.9705.3	1	planet gear n. 4
39	0.255.3969.0/10	1	disc
40	0.255.3970.2/10	8	disc
50	2.0132.006.2	6	screw m 8 p.1.25 x 20
56	2.1214.006.7	1	ring nut m 25 p.1.5
57	2.1410.011.1	1	circlip 28
72	2.1499.076.0/10	5	spring 36
73	2.1499.089.0	1	ring 20
75	2.1499.153.7	8	circlip 41 x 1.5
79	2.1539.095.0	1	oil seal 29.82 x 2.62
80	2.1539.096.0	1	special oil seal
81	2.1539.097.0	1	special oil seal 75.87 x 2.62
82	2.1539.098.0	1	special oil seal 94.92 x 2.62
83	2.1559.215.0	1	special bushing 25 x 35.5 x 18
84	2.1559.333.0	2	special bushing 44.7 x 50 x 19
91	2.1580.113.0	1	shim mm 0.50
92	2.1580.117.0	2	shim mm 0.20
93	2.1580.138.0	1	shim 25.5 x 35 x 0.15
94	2.1580.139.0	3	shim 25.5 x 35 x 0.2
95	2.1580.140.0	6	shim 25.5 x 35 x 0.5
99	2.1589.552.0	8	shoulder 22x42x1
104	2.1599.499.0	1	shoulder ring 110 x 126.5 x 1.2
105	2.1599.569.0	1	shim 99.5 x 125 x 4.0
106	2.1599.570.0	1	shim 25.2 x 40 x 3
112	2.2030.011.0	1	ball bearing 50 x 80 x 16
116	2.2062.007.0	1	ball bearing 25 x 62 x 17
119	2.2770.174.0	16	roller cage
120	2.2819.003.0	4	ball 4.5
133	2.4019.425.1	1	spring

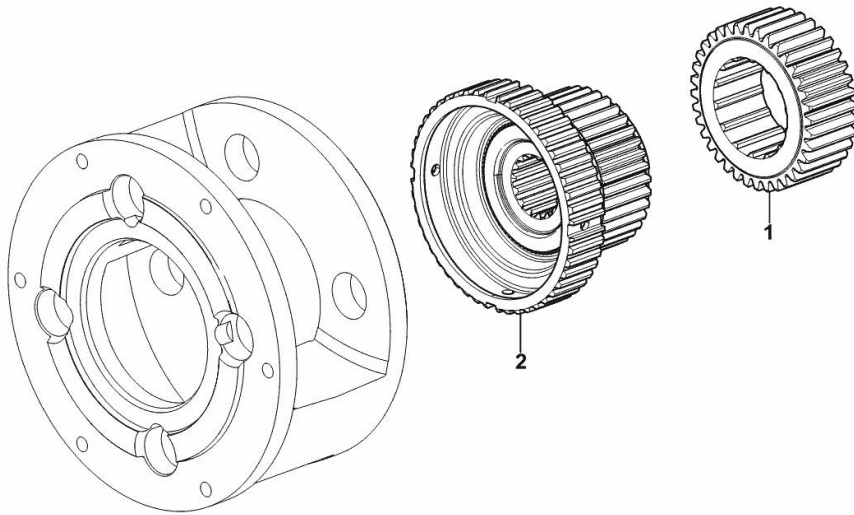
CLUTCHES ASSEMBLY KIT

Fig.	P/n	QTY	Name
------	-----	-----	------

Notes:

- FOR TYPES WITH HI - LO [VIRTUS J 90 -> ZKDY330100TS10001] - FOR TYPES WITH HI - LO [VIRTUS J 90 -> ZKDY330200TS10001]

1	0.020.4053.0	1	gear Z = 36
2	0.020.4028.3	1	gear



9_Y3633_04_0-A-001

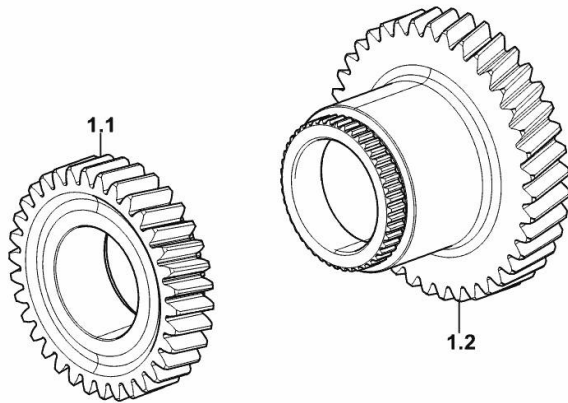
SHUTTLE FOR 5-SPEED TRANSMISSION

Fig.	P/n	QTY	Name
------	-----	-----	------

Notes:

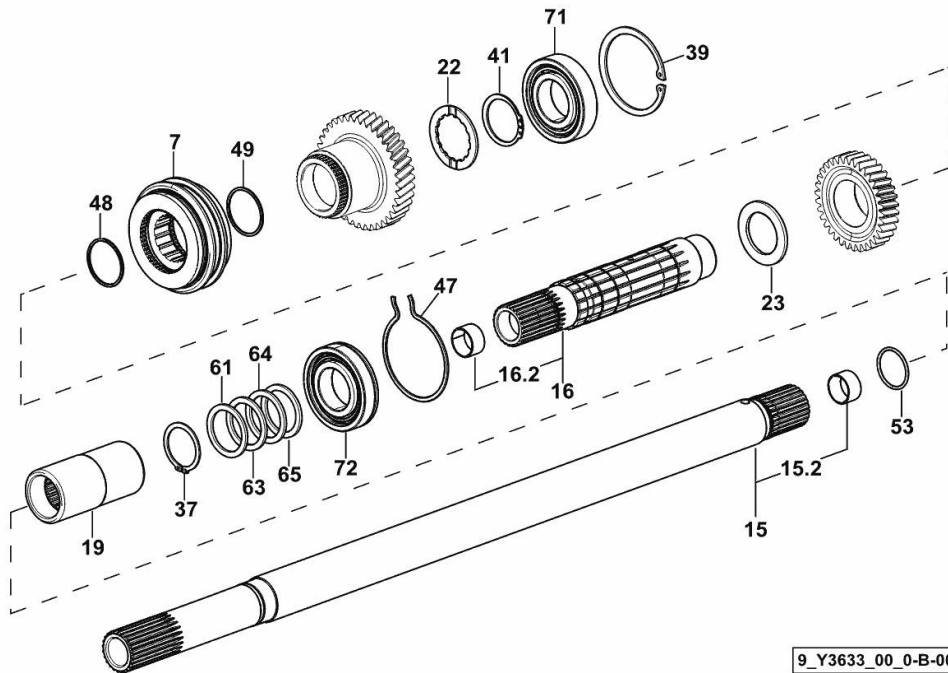
[VIRTUS J 90 -> ZKDY330100TS10001] [VIRTUS J 90 -> ZKDY330200TS10001]

1.1	0.020.6231.0	1	gear Z = 34
1.2	0.020.6496.0	1	gear



9_Y3633_03_0-C-001

5-SPEED GEARBOX INPUT SHAFT



9_Y3633_00_0-B-001

Fig.	P/n	QTY	Name
------	-----	-----	------

Notes:

[VIRTUS J 90 -> ZKDY330100TS10001] [VIRTUS J 90 -> ZKDY330200TS10001]

7	0.011.8631.4/10	1	lock synchronizer Ø 71/76
15	0.020.4847.3	1	shaft
15.2	2.1555.214.0	1	bushing 25 x 28 x 15
16	0.020.6481.3	1	shaft
16.2	2.1555.214.0	1	bushing 25 x 28 x 15
19	0.255.2515.0	1	sleeve
22	0.255.3372.0	4	shoulder
23	0.255.3450.0	1	shoulder ring 40 x 60 x 3.5
37	2.1410.016.1	2	circlip 40
39	2.1411.032.1	1	circlip 80
41	2.1419.034.1	3	circlip 44
47	2.1499.052.1/10	1	circlip 80
48	2.1499.152.7	1	circlip 41 x 1.8
49	2.1499.153.7	7	circlip 41 x 1.5
53	2.1530.091.0	1	oil seal 34.60 x 2.62
61	2.1599.414.0	1	shoulder ring 40 x 50 x 3.0
63	2.1599.423.0	1	shoulder ring 40 x 50 x 2.9
64	2.1599.424.0	1	shoulder ring 40 x 50 x 2.8
65	2.1599.425.0	1	shoulder ring 40 x 50 x 2.7
71	2.2041.015.0	1	ball bearing
72	2.2042.012.0	1	ball bearing 40 x 80 x 18

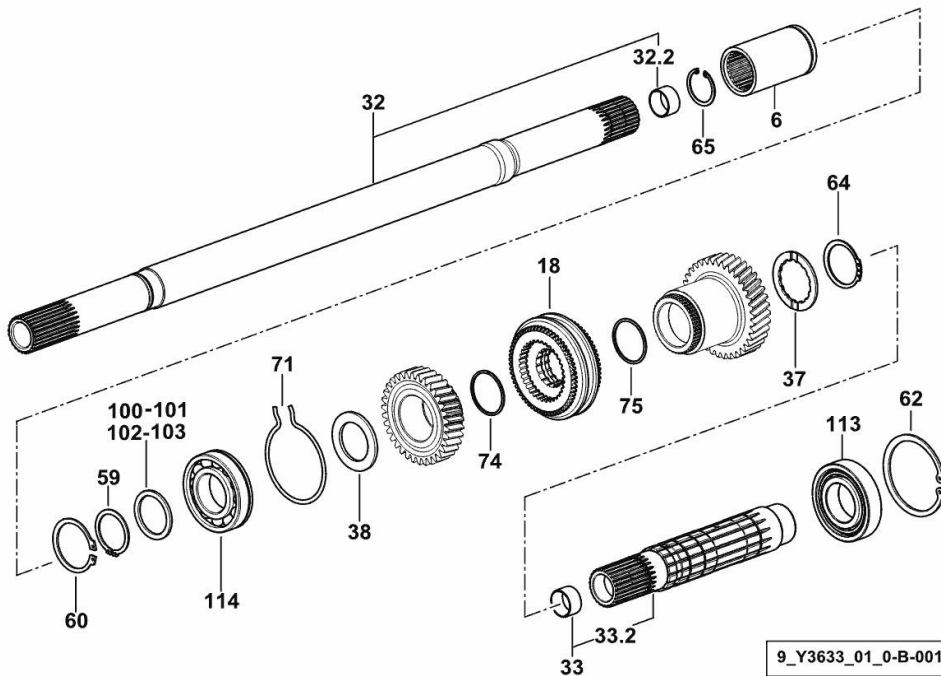
5-SPEED GEARBOX INPUT SHAFT HI-LO

Fig.	P/n	QTY	Name
------	-----	-----	------

Notes:

[VIRTUS J 90 -> ZKDY330100TS10001] [VIRTUS J 90 -> ZKDY330200TS10001]

6	0.007.3432.0/10	1	sleeve
18	0.011.8631.4/10	1	lock synchronizer Ø 71/76
32	0.020.5021.3	1	shaft
32.2	2.1555.214.0	1	bushing 25 x 28 x 15
33	0.020.6481.3	1	shaft
33.2	2.1555.214.0	1	bushing 25 x 28 x 15
37	0.255.3372.0	4	shoulder
38	0.255.3450.0	1	shoulder ring 40 x 60 x 3.5
59	2.1410.016.1	2	circlip 40
60	2.1410.020.1	1	circlip 50
62	2.1411.032.1	1	circlip 80
64	2.1419.034.1	3	circlip 44
65	2.1419.044.0	1	circlip 36
71	2.1499.052.1/10	1	circlip 80
74	2.1499.152.7	1	circlip 41 x 1.8
75	2.1499.153.7	8	circlip 41 x 1.5
100	2.1599.414.0	1	shoulder ring 40 x 50 x 3.0
101	2.1599.423.0	1	shoulder ring 40 x 50 x 2.9
102	2.1599.424.0	1	shoulder ring 40 x 50 x 2.8
103	2.1599.425.0	1	shoulder ring 40 x 50 x 2.7
113	2.2041.015.0	1	ball bearing
114	2.2042.012.0	1	ball bearing 40 x 80 x 18



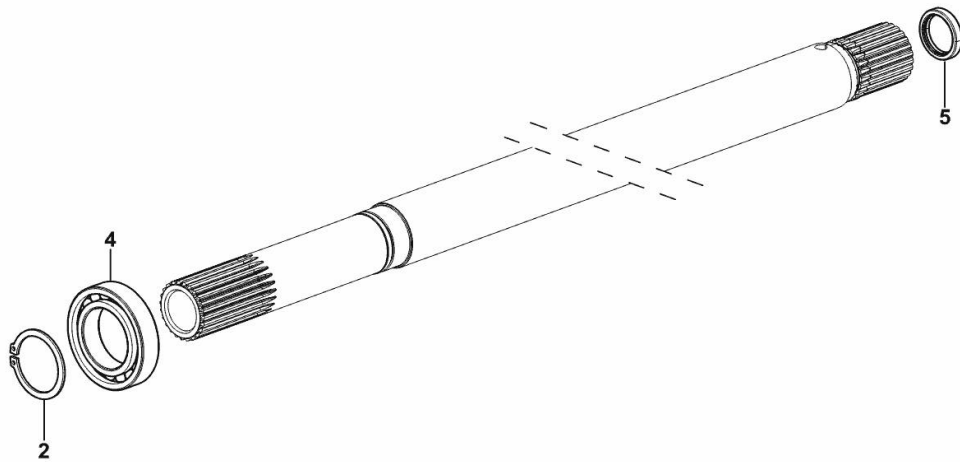
GEARBOX INPUT SHAFT KIT

Fig.	P/n	QTY	Name
------	-----	-----	------

Notes:

[VIRTUS J 90 -> ZKDY330100TS10001] [VIRTUS J 90 -> ZKDY330200TS10001]

2	2.1410.016.1	1	circlip 40
4	2.2999.306.0/10	1	special bearing 40x68x15
5	2.1519.086.0	1	special oil seal 25x33x6



9_Y4025_00_0-B-001

Thank you so much for reading.
Please click the “Buy Now!”
button below to download the
complete manual.



After you pay.

You can download the most
perfect and complete manual in
the world immediately.

Our support email:

ebooklibonline@outlook.com