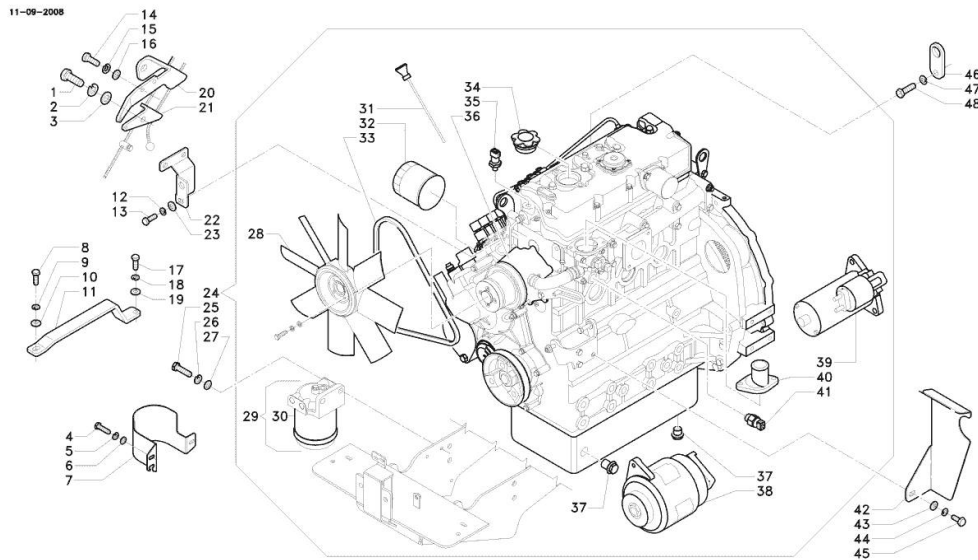


Section: B0 - ENGINE  
**ENGINE APPLICATION**

Fig.	P/n	QTY	Name
------	-----	-----	------

**Notes:**

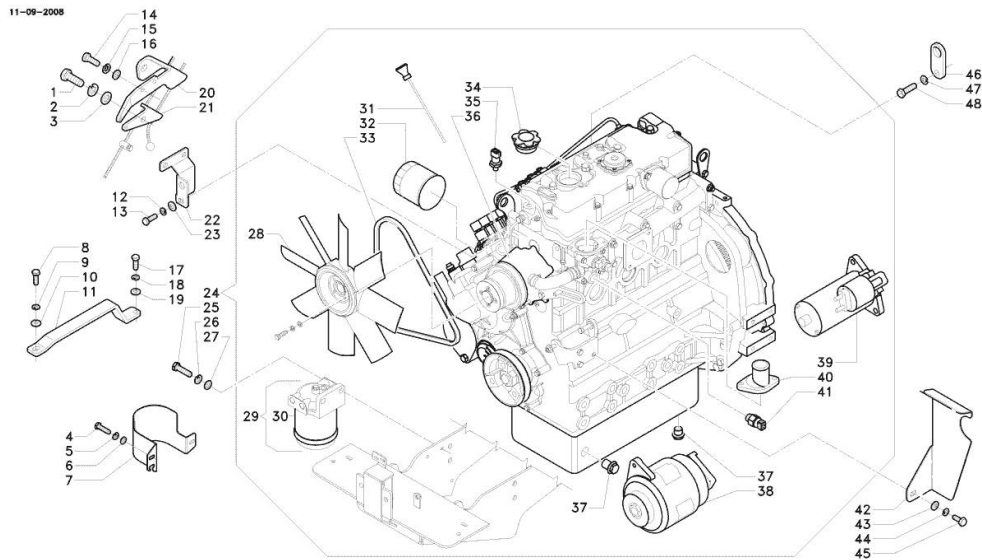
[Walker 50]



1	W-6191632	1	screw m 8 x 16
2	W-6206529	1	washer Ø 8
3	W-6205543	1	flat washer Ø 8
4	W-6191630	2	screw m 8 x 20
5	W-6206529	2	washer Ø 8
6	W-6205543	2	flat washer Ø 8
7	W-34914003	1	guard
8	W-6191632	1	screw m 8 x 16
9	W-6206529	1	washer Ø 8
10	W-6205543	1	flat washer Ø 8
11	W-34936078	1	bracket
12	W-6206529	1	washer Ø 8
13	W-6191632	1	screw m 8 x 16
14	W-6191628	2	screw m6x16
15	W-6206532	2	washer Ø 6
16	W-6205542	2	flat washer Ø 6
17	W-6191632	1	screw m 8 x 16
18	W-6206529	1	washer Ø 8
19	W-6205543	1	flat washer Ø 8
20	W-34936512	1	connection
21	W-34936470	1	connection
22	W-34936487	1	bracket
23	W-6205543	1	flat washer Ø 8
24	W-20105161	1	engine 404D-22 5500
24	W-20105162	1	engine 403D-17 4500
25	W-6191613	2	screw m 10 x 25
26	W-6206527	2	washer Ø 10
27	W-6205541	2	flat washer Ø 10
28	W-40182013	1	fan Ø 340
29	W-40182016	1	fuel filter COMPLETE WALKER 50
30	W-40182032	1	fuel filter element
31	W-40182027	1	dipstick 5500
31	W-40182028	1	dipstick 4500
32	W-40182014	1	oil filter
33	W-40182018	1	belt

Section: B0 - ENGINE  
ENGINE APPLICATION

Fig.	P/n	QTY	Name
			5500
33	W-40182019	1	belt
			4500
34	W-40182031	1	plug
35	W-40182010	1	sensor
36	W-40182033	1	water pump
37	W-40182029	1	plug
			5500
37	W-40182030	1	plug
			4500
38	W-40182037	1	alternator
39	W-40182023	1	starter motor
			5500
39	W-40182024	1	starter motor
			4500
40	W-40182021	1	valve
41	W-40182011	1	sensor
			4500
41	W-40182036	1	sensor
			5500
42	W-34914029	1	guard
			4500
43	W-6205543	1	flat washer Ø 8
44	W-6206529	1	washer Ø 8
45	W-6191632	1	screw m 8 x 16
46	W-34935754	1	support
47	W-6206527	1	washer Ø 10
48	W-6191619	1	screw m 10 x 30

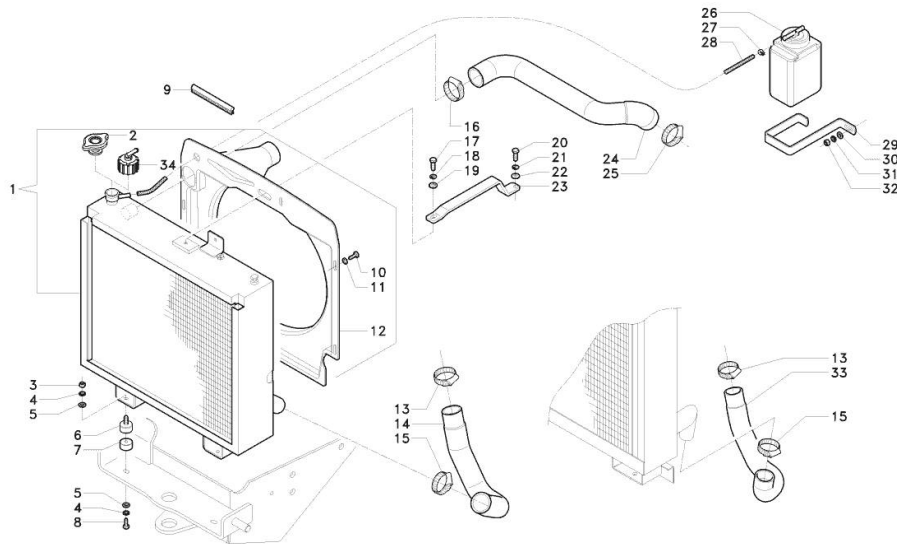


**RADIATOR**

Fig.	P/n	QTY	Name
------	-----	-----	------

**Notes:**

[Walker 50]



1	W-47921127	1	radiator
2	W-47908102	1	plug 1 Bar
3	W-6197559	2	nut m8
4	W-6206529	4	washer Ø 8
5	W-6205543	4	flat washer Ø 8
6	W-47912015	2	support
7	W-32904063	2	spacer mm 22
8	W-6191632	2	screw m 8 x 16 4500
8	W-6191650	2	screw m 8 x 40
9	W-9900056	1	guard
10	W-6191628	4	screw m6x16
11	W-6205507	4	flat washer Ø 6 x 18
12	W-47921128	1	duct
13	W-6212513	1	clamp
14	W-46626152	1	sleeve
15	W-6212513	1	clamp
16	W-47071009	1	clamp
17	W-6191632	1	screw m 8 x 16
18	W-6206529	1	washer Ø 8
19	W-6205543	1	flat washer Ø 8
20	W-6191632	1	screw m 8 x 16
21	W-6206529	1	washer Ø 8
22	W-6205543	1	flat washer Ø 8
23	W-34936078	1	bracket
23	W-34936106	1	bracket 4500
24	W-46626153	1	sleeve
25	W-6212513	1	clamp
26	W-44415004	1	tank
27	W-47071008	2	clamp Ø 16
27	W-47071012	2	clamp Ø 14
28	W-9900004	1	tube Ø 8 x 15
29	W-34935792	1	support
30	W-6205543	1	flat washer Ø 8
31	W-6206529	1	washer Ø 8
32	W-6197559	1	nut m8
33	W-46626319	1	sleeve

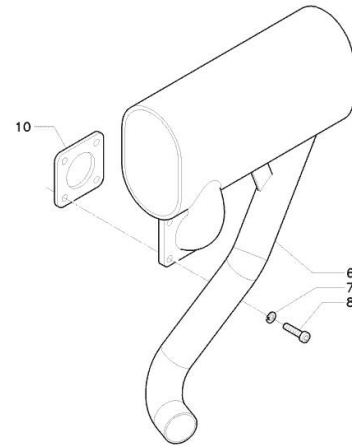
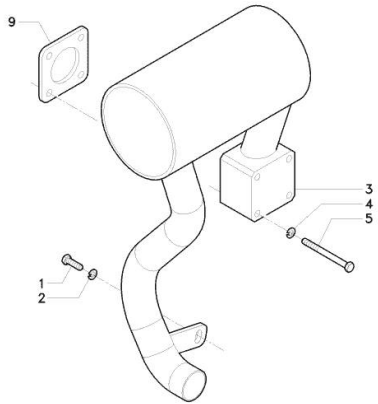
**EXHAUST GAS SILENCERS**

Fig.	P/n	QTY	Name
------	-----	-----	------

**Notes:**

[Walker 50]

1	W-6191632	1	screw m 8 x 16
2	W-6206529	1	washer Ø 8
3	W-34605113	1	silencer 4500
4	W-6206529	4	washer Ø 8
5	W-6191617	4	screw m 8 x 65
6	W-34605112	1	silencer
7	W-6206529	4	washer Ø 8
8	W-6192536	4	screw m 8 x 20
9	W-40182040	1	gasket
10	W-40182040	1	gasket



**AIR CLEANER**

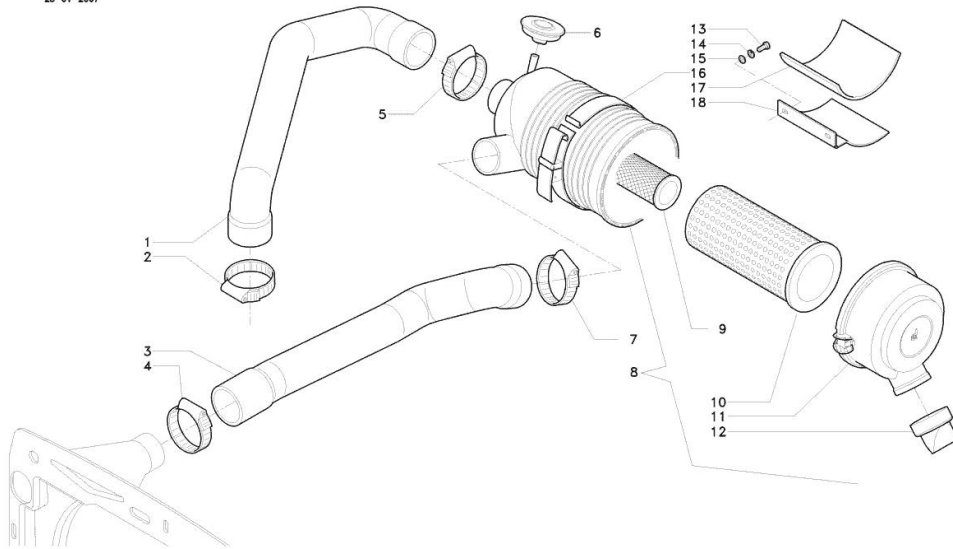
Fig.	P/n	QTY	Name
------	-----	-----	------

**Notes:**

[Walker 50]

1	W-44513085	1	tube
1	W-44513088	1	tube 4500
2	W-6212517	1	clamp
3	W-44513084	1	tube
3	W-44513087	1	tube 4500
4	W-6212517	1	clamp
5	W-6212517	1	clamp
6	W-6174539	1	plug
7	W-6212517	1	clamp
8	W-24504040	1	air filter
9	W-44509009	1	air filter
10	W-44509005	1	air filter
11	W-44509007	1	cover
12	W-44509008	1	valve
13	W-6191623	2	screw m 6 x 20
14	W-6206532	2	washer Ø 6
15	W-6205542	2	flat washer Ø 6
16	W-34923024	1	strap
17	W-6220021	1	felt band
18	W-35021014	1	supporting piece

23-01-2007



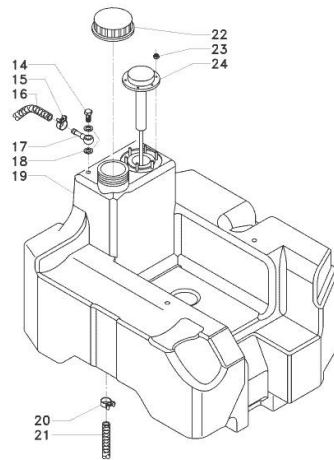
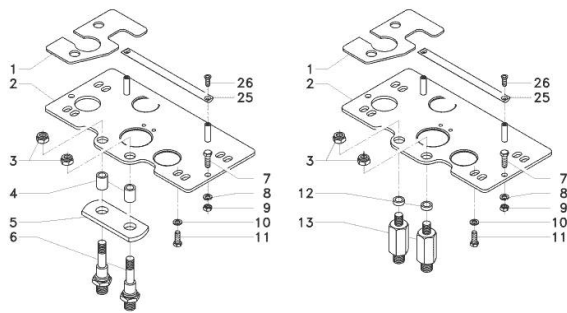
**TANK**

Fig.	P/n	QTY	Name
------	-----	-----	------

**Notes:**

[Walker 50]

1	W-37924025	2	felt band
2	W-34935852	1	tank support
3	W-6198504	2	nut m 14 x 1,5
4	W-32201440	2	spacer WALKER 50
5	W-34906007	1	small plate WALKER 50
6	W-32021745	2	pin WALKER 50
7	W-6191613	2	screw m 10 x 25
8	W-6206527	2	washer Ø 10
9	W-6197565	2	nut m 10
10	W-6205553	4	flat washer Ø 10 x 30
11	W-6191631	4	screw m 10 x 20
14	W-6201514	1	screw M 8 x 1 x 24
15	W-47071005	2	clamp Ø 10
16	W-9900033	1	tube Ø 6 x 11
17	W-6202501	1	pipe fitting Ø 8
18	W-6205502	2	flat washer Ø 8
19	W-34405030	1	fuel tank
20	W-47071006	2	clamp Ø 13
20	W-47071012	2	clamp Ø 14
21	W-9900004	1	tube Ø 8 x 15
22	W-47908014	1	plug
23	W-6198517	6	nut m 4
24	W-46708171	1	float



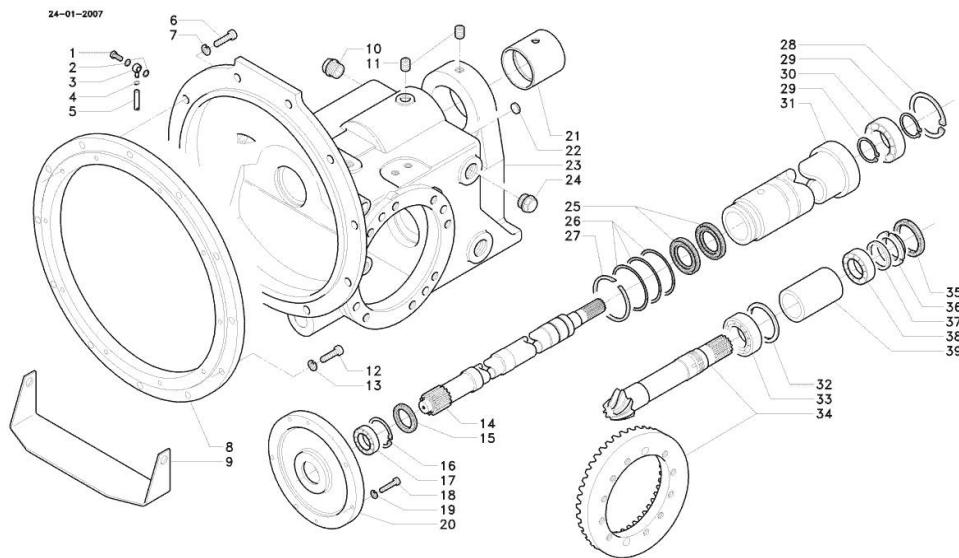
**FRONT TRANSMISSION AND CASING**

Fig.	P/n	QTY	Name
------	-----	-----	------

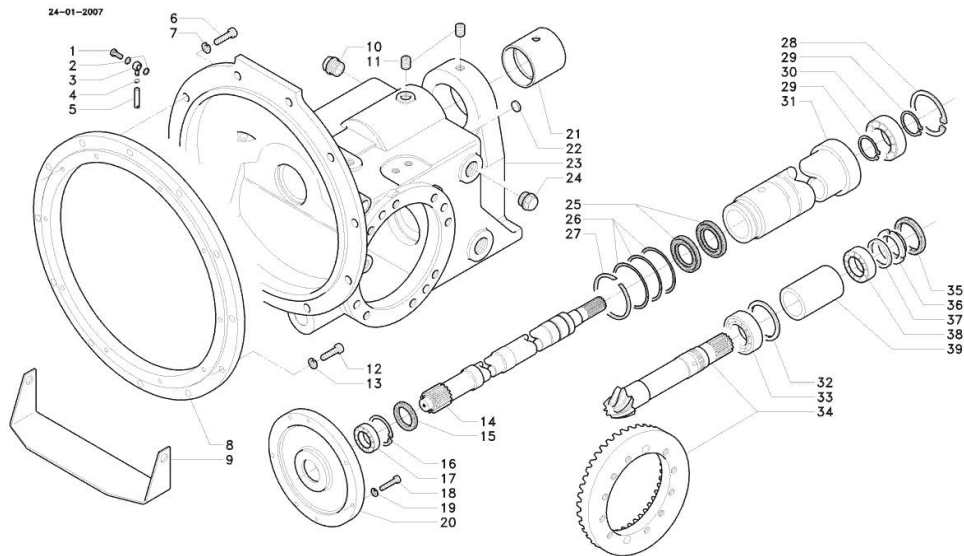
**Notes:**

[Walker 50]

1	W-6201501	2	screw M 8 x 1 x 20
2	W-6205502	4	flat washer Ø 8
3	W-6202501	2	pipe fitting Ø 8
4	W-6212503	2	clamp
5	W-9900001	1	tube
6	W-6192501	10	screw m 8 x 30
7	W-6206529	10	washer Ø 8
8	W-30103038	1	spacer
9	W-34913040	1	guard
10	W-6203539	1	plug m 22 x 1,5
11	W-6196529	2	grub screw m 10 x 25
12	W-46913058	12	screw 3/8" x 1"1/2
13	W-47056019	12	washer Ø 3/8
14	W-32002027	1	main shaft
15	W-6077504	1	oil seal AS 35477
16	W-6080573	1	ring J 42
17	W-6065539	1	bearing 20 x 42 x 12 6004 2RS
18	W-46905060	5	screw m 6 x 30
19	W-6206505	5	washer Ø 6
20	W-30110015	1	flange
21	W-37140002	2	bearing
22	W-47908004	3	plug Ø 16
23	W-33003025	1	guard
24	W-6203543	1	plug m 22 x 1,5
25	W-47207006	2	ring 35476,5
26	W-6078549	3	ring 3225
27	W-47024011	1	shoulder ring SW 58
28	W-6080506	1	ring J 62
29	W-6080507	2	ring a35
30	W-6065541	1	bearing 35 x 62 x 14 6007 2RS
31	W-32021269	1	joint
32	W-32201170	1	spacer [mm] 2,45
32	W-32201171	1	spacer [mm] 2,55
32	W-32201172	1	spacer [mm] 2,65
32	W-32201173	1	spacer [mm] 2,75
32	W-32201174	1	spacer [mm] 2,85
32	W-32201175	1	spacer [mm] 2,95
32	W-32201176	1	spacer [mm] 3,05
33	W-47129044	1	bearing 40 x 90 x 25,25 30308 A
34	W-22110014	1	bevel drive Z 7/31
35	W-47210022	1	oil seal 356810

**FRONT TRANSMISSION AND CASING**

Fig.	P/n	QTY	Name
36	W-36944003	1	ring nut
37	W-32201177	1	spacer
38	W-47129038	1	bearing 40 x 68 x 19 32008 X
39	W-32201178	1	spacer



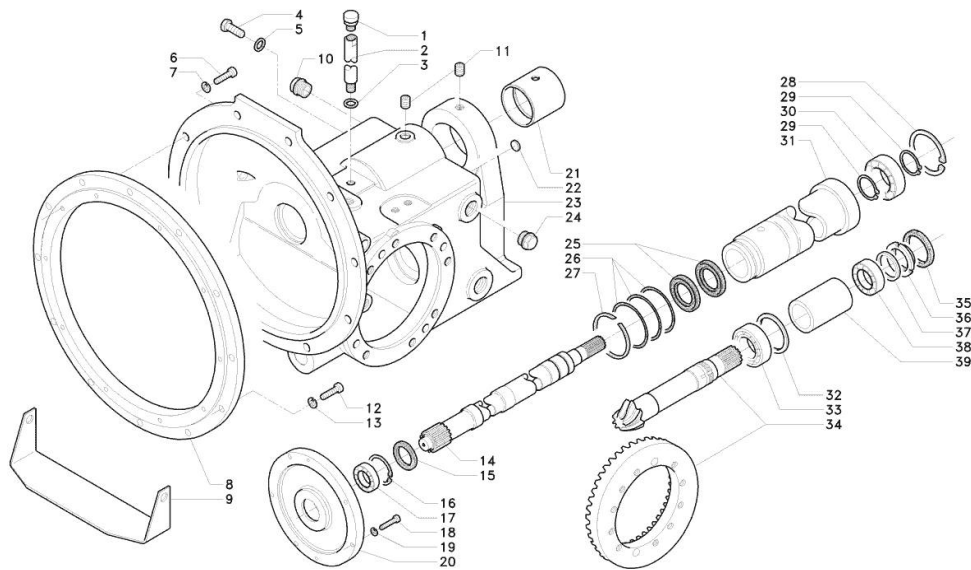


**FRONT TRANSMISSION AND CASING**

Fig.	P/n	QTY	Name
------	-----	-----	------

**Notes:**

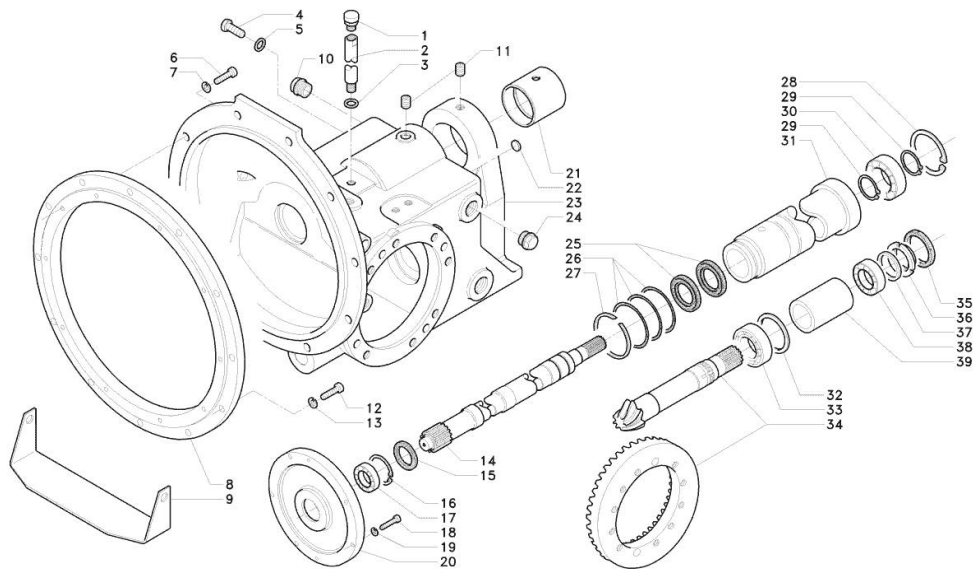
[Walker 50]



1	W-47908181	1	plug m 20 x 1,5
2	W-36620600	1	tube
3	W-47012005	1	flat washer Ø 22
4	W-6191584	1	screw m 12 x 16
5	W-47011021	1	flat washer Ø 12
6	W-6192501	10	screw m 8 x 30
7	W-6206529	10	washer Ø 8
8	W-30103038	1	spacer
9	W-34913040	1	guard
10	W-6203543	1	plug m 22 x 1,5
11	W-6196529	2	grub screw m 10 x 25
12	W-46913058	12	screw 3/8" x 1"1/2
13	W-47056019	12	washer Ø 3/8
14	W-32002027	1	main shaft
15	W-6077504	1	oil seal AS 35477
16	W-6080573	1	ring J 42
17	W-6065539	1	bearing 20 x 42 x 12 6004 2RS
18	W-46905060	5	screw m 6 x 30
19	W-6206505	5	washer Ø 6
20	W-30110015	1	flange
21	W-37140002	2	bearing
22	W-47908004	3	plug Ø 16
23	W-33003025	1	guard
24	W-6203543	1	plug m 22 x 1,5
25	W-47207006	2	ring 35476,5
26	W-6078549	3	ring 3225
27	W-47024011	1	shoulder ring SW 58
28	W-6080506	1	ring J 62
29	W-6080507	2	ring a35
30	W-6065541	1	bearing 35 x 62 x 14 6007 2RS
31	W-32021269	1	joint
32	W-32201170	1	spacer [mm] 2,45
32	W-32201171	1	spacer [mm] 2,55
32	W-32201172	1	spacer [mm] 2,65
32	W-32201173	1	spacer [mm] 2,75
32	W-32201174	1	spacer [mm] 2,85
32	W-32201175	1	spacer [mm] 2,95
32	W-32201176	1	spacer [mm] 3,05
33	W-47129044	1	bearing 40 x 90 x 25,25 30308 A
34	W-22110014	1	bevel drive Z 7/31
35	W-47210022	1	oil seal 356810

**FRONT TRANSMISSION AND CASING**

Fig.	P/n	QTY	Name
36	W-36944003	1	ring nut
37	W-32201177	1	spacer
38	W-47129038	1	bearing 40 x 68 x 19 32008 X
39	W-32201178	1	spacer

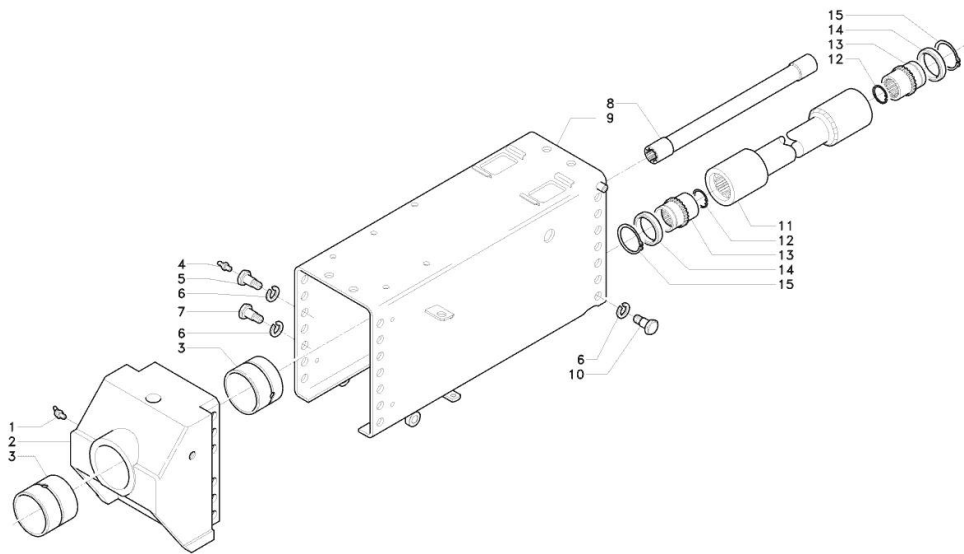


**CENTRAL TRANSMISSION AND BODY**

Fig.	P/n	QTY	Name
------	-----	-----	------

**Notes:**

[Walker 50]



1	W-6204502	1	grease gun M 8 45°
2	W-33004001	1	body
3	W-27140015	1	bearing 3.7140.002 / 3.7140.003
4	W-6204501	1	grease gun m 8
5	W-36920036	1	screw
6	W-6206512	32	washer Ø 16
7	W-36920027	3	screw
8	W-32018004	1	extension
9	W-33004026	1	body
10	W-36920006	28	screw
11	W-32018006	1	extension
12	W-47020024	2	ring J 31
13	W-32202005	2	bush
14	W-6077002	2	oil seal
15	W-6080534	2	ring A 44

**REAR GEARBOX CASE**

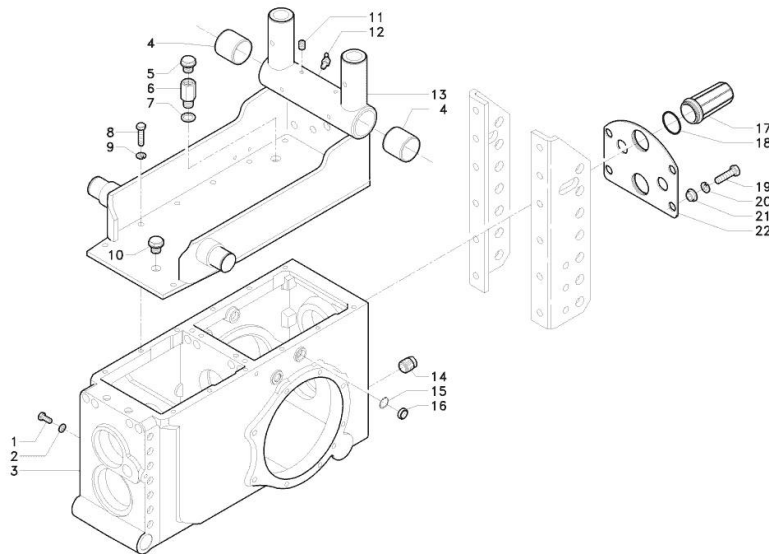
Fig.	P/n	QTY	Name
------	-----	-----	------

**Notes:**

[Walker 50]

1	W-6191609	1	screw m 10 x 12
2	W-6205509	1	flat washer Ø 10
3	W-33003082	1	guard WALKER 50
4	W-37150004	2	bush
5	W-6203558	1	plug
6	W-6202688	1	extension
7	W-47011046	1	flat washer Ø 22
8	W-6191534	4	screw m 10 x 25
9	W-6206502	4	washer Ø 10
10	W-6203543	1	plug m 22 x 1,5
11	W-46915058	4	grub screw m 10 x 10
12	W-6204502	1	grease gun M 8 45°
13	W-33103115	1	cover
14	W-6203508	1	plug m 22 x 1.5
15	W-47060022	1	ring JV 20 WALKER 50
16	W-47908148	1	plug Ø 20 WALKER 50
17	W-43115016	2	guard P.T.O.
18	W-6078516	2	ring 147
19	W-6191559	4	screw M 14 x 1,5 x 40
20	W-6206510	4	washer Ø 14
21	W-32205231	4	bush
22	W-33115035	1	supporting piece

30-01-2007



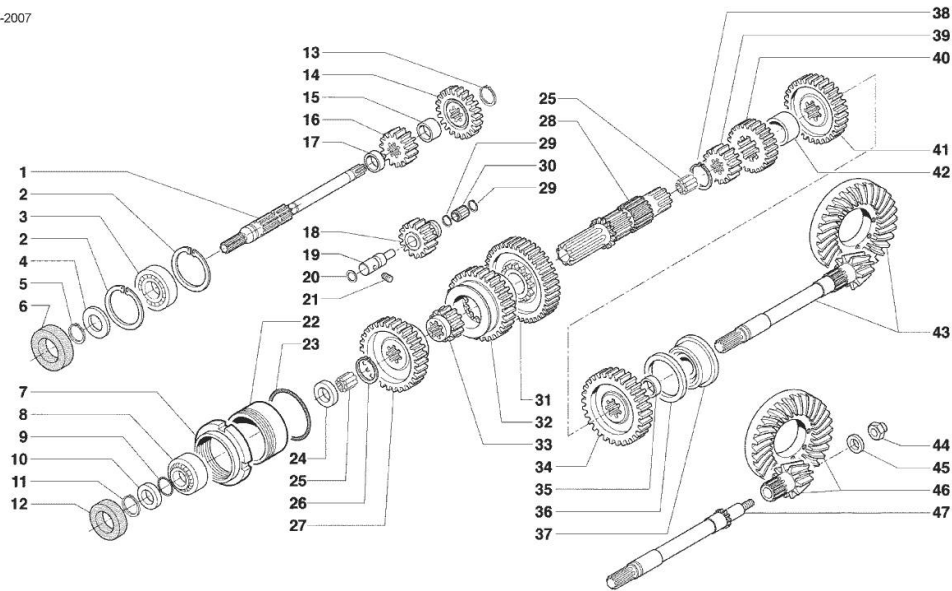
Section: D0 - TRANSMISSION  
REAR GEARBOX GEARING

Fig.	P/n	QTY	Name
------	-----	-----	------

## Notes:

[Walker 50]

11-07-2007

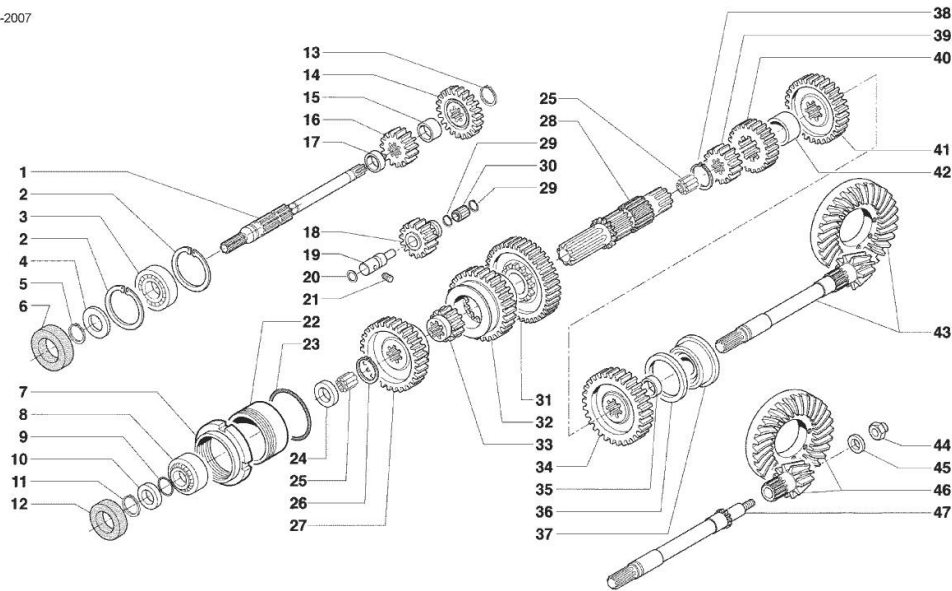


1	W-32004006	1	main shaft
2	W-6080529	2	ring J 80
3	W-6065529	1	bearing 40 x 80 x 18 6208 NR
4	W-47006254	1	washer 40x50x1,0
4	W-6207534	1	washer 40x50x0,1
4	W-6207537	1	washer 40x50x0,5
5	W-6080517	1	ring a 40
6	W-47210006	1	oil seal AS 408010
7	W-36944001	1	ring nut
8	W-47129035	1	bearing 35 x 80 x 22,75 31307
9	W-47215074	1	ring 3118
10	W-32201239	1	spacer [mm] 10
11	W-6080521	1	ring AS 35 x 2,5
12	W-47210042	1	oil seal AS 55808
13	W-6080546	1	ring AS 38 x 2,5
14	W-32101023	1	gear wheel Z = 36
15	W-32201019	1	spacer
16	W-32101022	1	gear wheel Z = 20
17	W-32201018	1	spacer
18	W-32103003	1	gear wheel Z = 18
19	W-32020003	1	pin
20	W-6078533	1	ring 3081
21	W-6196507	1	grub screw m 10x16
22	W-32205238	1	bush
23	W-47215104	1	ring 3350
24	W-32201223	1	spacer 3 mm
24	W-32201225	1	spacer [mm] 2,4
24	W-32201226	1	spacer [mm] 2,5
24	W-32201227	1	spacer [mm] 2,6
24	W-32201228	1	spacer [mm] 2,7
24	W-32201229	1	spacer [mm] 2,8
24	W-32201230	1	spacer [mm] 2,9
24	W-32201231	1	spacer [mm] 3,1
24	W-32201232	1	spacer [mm] 3,2
24	W-32201233	1	spacer [mm] 3,3
24	W-32201234	1	spacer [mm] 3,4
25	W-47136243	2	roller cage K 35 x 42 x 30 ZB2
26	W-47024016	1	ring AL 55 x 2
27	W-32101024	1	gear wheel Z = 44
28	W-32003001	1	secondary shaft
			WALKER 50

Section: D0 - TRANSMISSION  
REAR GEARBOX GEARING

Fig.	P/n	QTY	Name
29	W-47024010	2	ring SB 26
30	W-6071518	1	roller cage 20x26x17
31	W-32102002	1	gear wheel z = 59
32	W-32103004	1	gear wheel z=34
33	W-32203008	1	bush
34	W-32101017	1	gear wheel Z = 48
35	W-32201008	1	spacer [mm] 6,7
35	W-32201102	1	spacer [mm] 6,8
35	W-32201103	1	spacer [mm] 6,9
35	W-32201104	1	spacer 7 mm
35	W-32201105	1	spacer [mm] 7,1
35	W-32201106	1	spacer [mm] 7,2
35	W-32201107	1	spacer [mm] 7,3
35	W-32201461	1	spacer [mm] 7,5
36	W-32201004	1	spacer [mm] 2,45
36	W-32201086	1	spacer [mm] 2,55
36	W-32201087	1	spacer [mm] 2,65
36	W-32201088	1	spacer [mm] 2,75
36	W-32201089	1	spacer [mm] 2,85
36	W-32201090	1	spacer [mm] 2,95
36	W-32201091	1	spacer [mm] 3,05
37	W-47130001	1	bearing 40 x 90 x 25,25 30308 AR
40	W-32101002	1	gear wheel Z = 29 WALKER 50
41	W-32101049	1	gear wheel z=38
42	W-32201003	1	spacer
44	W-36931001	1	nut WALKER 50
45	W-32201263	1	spacer WALKER 50
46	W-40640008	1	bevel drive Z 15/35 WALKER 50
47	W-32002191	1	pinion WALKER 50

11-07-2007



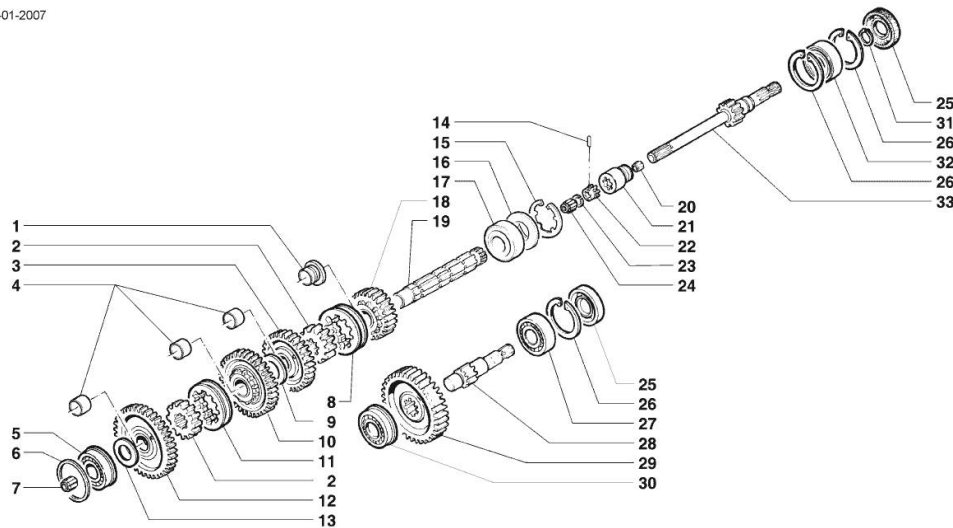
Section: D0 - TRANSMISSION  
REAR PTO TRANSMISSION

Fig.	P/n	QTY	Name
------	-----	-----	------

Notes:  
[Walker 50]

1	W-37140006	1	bearing
2	W-32203002	2	bush
3	W-32102026	1	gear wheel Z = 40 WALKER 50
4	W-37140004	3	bearing
5	W-47104020	1	bearing 40 x 80 x 18 6208 NR
6	W-37009004	1	washer 80 x 90 x 0,1
6	W-37009009	1	washer 80 x 90 x 0,2
7	W-47136131	1	roller cage K 22 x 28 x 17
8	W-32204016	1	bush
9	W-32202015	1	spacer
10	W-32102027	1	gear wheel Z = 49 WALKER 50
11	W-32204008	1	bush
12	W-32102028	1	gear wheel z = 53
13	W-6034508	1	spacer AS 40 x 60 x 1
14	W-47025076	1	roll pin Ø 4 x 32
15	W-47024005	1	ring JL 80 x 2,5
16	W-47007043	1	spacer 63 x 80 x 3
17	W-47121042	1	bearing 40 x 80 x 18 NJ 208 ECP
18	W-32102045	1	gear wheel Z = 31
19	W-32003024	1	shaft
20	W-47136026	1	roller cage K 10 x 16 x 12
21	W-32204002	1	bush
22	W-32203003	1	bush
23	W-47024010	1	ring SB 26
24	W-47136123	1	roller cage K 22 x 26 x 13
25	W-47210006	2	oil seal AS 408010
26	W-6080529	3	ring J 80
27	W-47121042	1	bearing 40 x 80 x 18 NJ 208 ECP
28	W-32002017	1	shaft P.T.O.
29	W-32101025	1	gear wheel Z = 48
30	W-47126009	1	bearing 40 x 80 x 18 NJ 208 ECNR
31	W-6080517	1	ring a 40
32	W-47122034	1	bearing 40 x 80 x 18 NUP 208
33	W-32004007	1	shaft Z = 11

31-01-2007



Thank you so much for reading.  
Please click the “Buy Now!”  
button below to download the  
complete manual.



After you pay.

You can download the most  
perfect and complete manual in  
the world immediately.

Our support email:

[ebooklibonline@outlook.com](mailto:ebooklibonline@outlook.com)