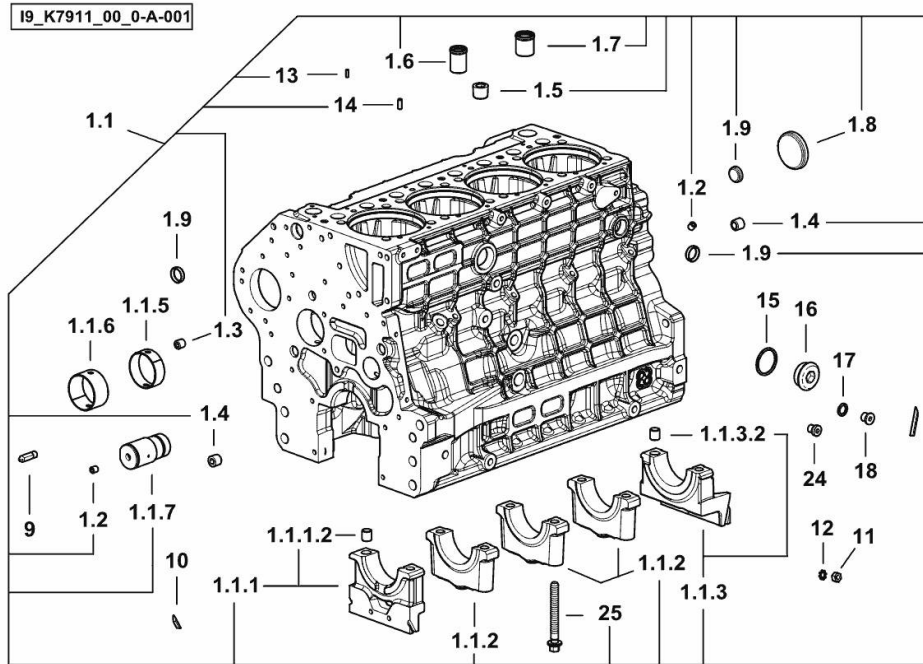


CRANKCASE

| Fig. | P/n | QTY | Name |
|------|-----|-----|------|
|------|-----|-----|------|

Notes:

[XA 100.4 -> ZKDBE50200TH30001]



| | | | |
|---------|-----------------|----|----------------------------|
| 1.1 | 0.020.4332.3/20 | 1 | crankcase |
| 1.1.1 | 0.019.5106.3 | 1 | support |
| 1.1.1.2 | 2.1699.165.0 | 1 | bush 12.3x15x16 |
| 1.1.2 | 0.019.5107.7 | 3 | support |
| 1.1.3 | 0.019.5108.3 | 1 | support |
| 1.1.3.2 | 2.1699.165.0 | 1 | bush 12.3x15x16 |
| 1.1.5 | 0.065.1140.0 | 4 | special bushing 59X55X20 |
| 1.1.6 | 0.065.1141.0 | 1 | special bushing 59X55X30 |
| 1.1.7 | 0.019.4412.0 | 1 | pin |
| 1.2 | 2.3130.001.7 | 15 | plug |
| 1.3 | 2.3130.002.7 | 2 | plug 1/4" gas |
| 1.4 | 2.3130.003.7 | 4 | plug 3/8" gas |
| 1.5 | 2.3130.005.7 | 3 | plug |
| 1.6 | 0.019.4146.0 | 1 | tube |
| 1.7 | 0.019.6173.0 | 1 | tube |
| 1.8 | 2.3179.012.0 | 1 | plug 60 |
| 1.9 | 2.3171.010.4 | 5 | plug 25 |
| 9 | 0.019.4415.0/10 | 1 | tube |
| 10 | 0.066.1152.0/10 | 4 | gasket |
| 11 | 2.1011.405.2 | 2 | nut m 8 p.1 |
| 12 | 2.1470.004.2 | 4 | lock washer 8 |
| 13 | 2.1651.305.0 | 4 | pin 4 x 12 |
| 14 | 2.1651.507.0 | 4 | pin 6 x 16 |
| 15 | 2.1560.027.0 | 1 | copper gasket 38.3x44 |
| 16 | 2.3139.031.2 | 1 | plug |
| 17 | 2.1560.010.0 | 1 | gasket 14.2 x 20 |
| 18 | 2.3199.292.0 | 1 | plug 1/4" gas |
| 24 | 2.3139.024.2 | 1 | plug m 12 p.1.5 (-> 30001) |
| 25 | 2.0399.367.7 | 10 | screw |

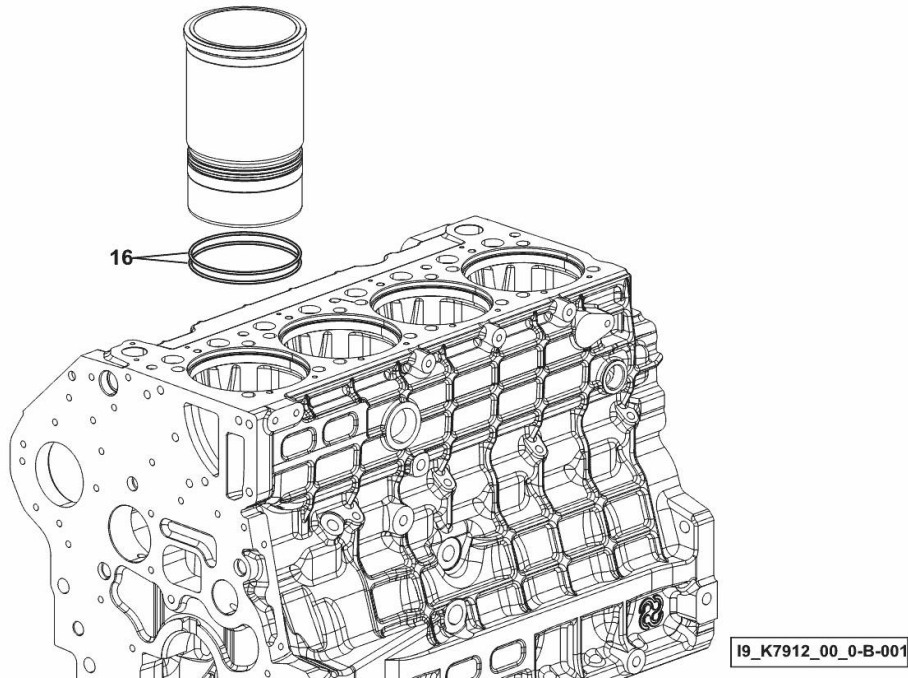
CYLINDER LINER O-RING

| Fig. | P/n | QTY | Name |
|------|-----|-----|------|
|------|-----|-----|------|

Notes:

[XA 100.4 -> ZKDBE50200TH30001]

| | | | |
|----|--------------|---|------------------------------|
| 16 | 2.1539.259.0 | 8 | special oil seal 107.62x2.62 |
|----|--------------|---|------------------------------|



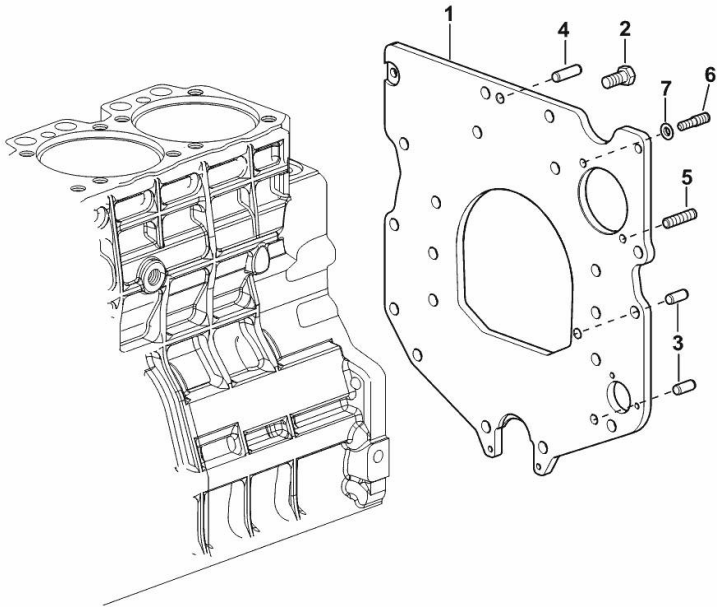
MONOBLOC ENGINE-GEARBOX CONNECTING FLANGE

| Fig. | P/n | QTY | Name |
|------|-----|-----|------|
|------|-----|-----|------|

Notes:

[XA 100.4 -> ZKDBE50200TH30001]

| | | | |
|---|-----------------|---|-----------------------------------|
| 1 | 0.007.7752.0/30 | 1 | flange |
| 2 | 2.0112.511.2 | 8 | screw m 14 p.2 x 30 |
| 3 | 2.1651.912.0 | 2 | cylindrical plug 12x28 |
| 4 | 2.1651.917.0 | 1 | cylindrical plug 12x40 |
| 5 | 2.0432.257.7 | 1 | stud bolt m 12 p.1.75 - 1.25 x 30 |
| 6 | 2.0439.250.7 | 1 | stud bolt m 12 / m 10 x 30 |
| 7 | 0.011.9294.0/10 | 1 | bush |



19_N8911_01_0-A-001

FITTING FOR ENGINE OIL PRESSURE SWITCH

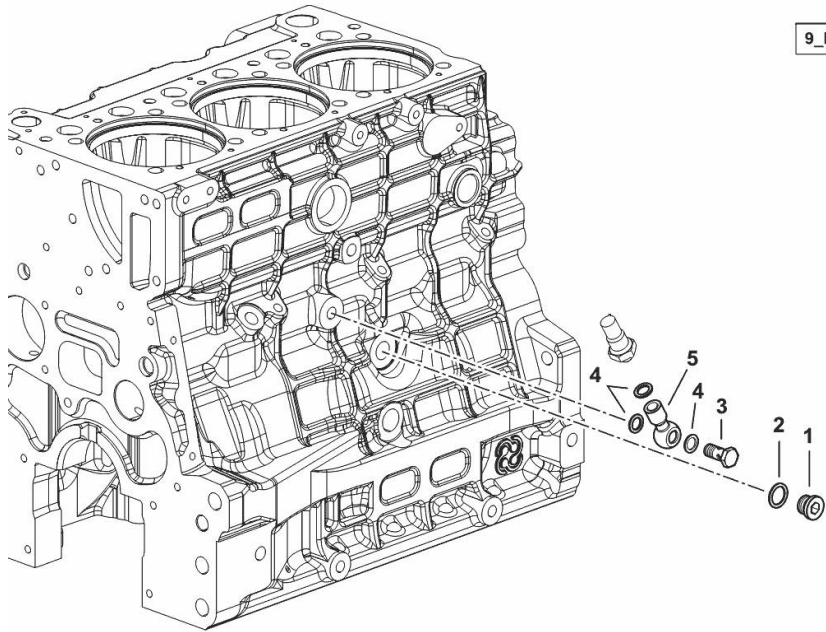
| Fig. | P/n | QTY | Name |
|------|-----|-----|------|
|------|-----|-----|------|

Notes:

[XA 100.4 -> ZKDBE50200TH30001]

| | | | |
|---|--------------|---|-------------------------|
| 1 | 2.3120.101.0 | 1 | plug m 18 p.1.5 |
| 2 | 2.1560.014.0 | 1 | washer 18.2 x 24 |
| 3 | 2.3249.697.2 | 1 | pipe union |
| 4 | 2.1560.008.0 | 3 | gasket 12.2 x 18 |
| 5 | 2.3249.014.2 | 1 | pipe fitting m 12 p.1.5 |

9_IB615_07_0-A-001



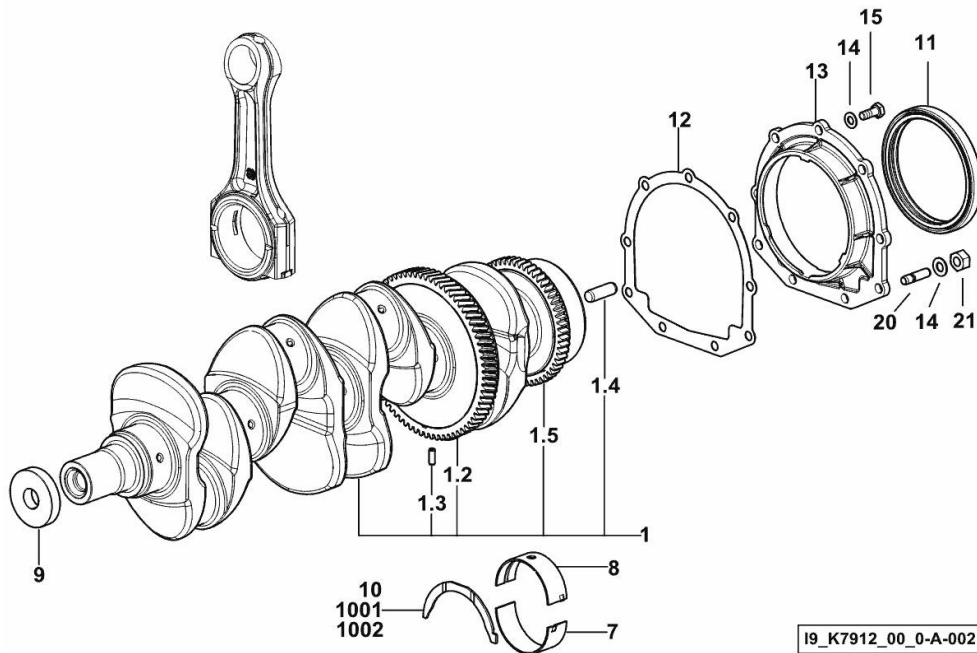
CRANKSHAFT

| Fig. | P/n | QTY | Name |
|------|-----|-----|------|
|------|-----|-----|------|

Notes:

[XA 100.4 -> ZKDBE50200TH30001]

| | | | |
|------|-----------------|---|---------------------------------|
| 1 | 0.019.2251.3/10 | 1 | crankshaft |
| 1.2 | 0.065.1211.0/10 | 1 | crown wheel |
| 1.3 | 2.1630.608.0 | 1 | pin 6x16 |
| 1.4 | 2.1651.915.0 | 1 | pin 12x35 |
| 1.5 | 0.007.0855.0/10 | 1 | gear |
| 7 | 0.019.5456.0 | 5 | main half bushing STANDARD |
| 8 | 0.019.5455.0 | 5 | main half bushing STANDARD |
| 9 | 2.1599.524.7 | 1 | washer 21x60x12 |
| 10 | 0.065.1218.0 | 4 | shim STANDARD |
| 11 | 2.1529.073.0 | 1 | special oil seal 110x130x13 |
| 12 | 0.065.1254.0/20 | 1 | gasket |
| 13 | 0.007.0851.0/10 | 1 | cover |
| 14 | 2.1475.002.2 | 9 | conical washer 8 |
| 15 | 2.0112.207.2 | 7 | screw m 8 p 1.25 x 20 |
| 20 | 2.0432.003.7 | 2 | stud bolt m 8 p.1.25 / p.1 x 20 |
| 21 | 2.1011.405.2 | 2 | nut m 8 p.1 |
| 1001 | 0.065.1218.7 | | shim + mm 0.10 |
| 1002 | 0.065.1218.8 | | shim + mm 0.15 |



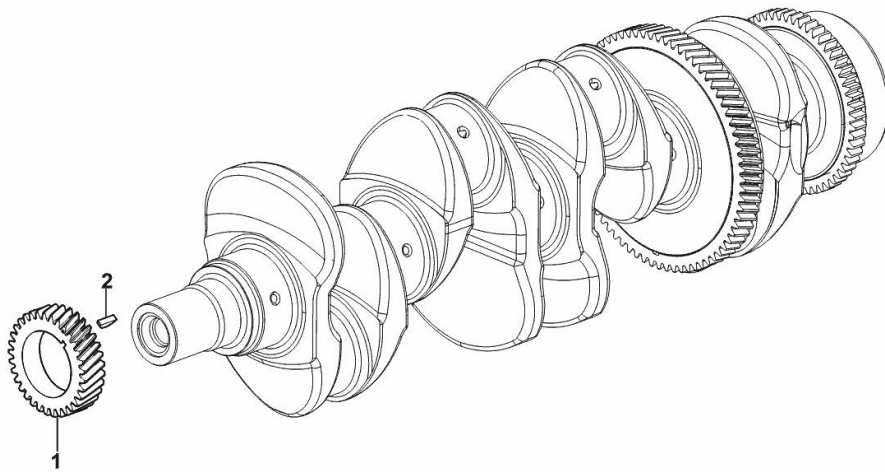
CRANKSHAFT GEAR

| Fig. | P/n | QTY | Name |
|------|-----|-----|------|
|------|-----|-----|------|

Notes:

[XA 100.4 -> ZKDBE50200TH30001]

| | | | |
|---|--------------|---|-------------|
| 1 | 0.019.4145.0 | 1 | gear z = 33 |
| 2 | 2.1720.006.0 | 1 | key 4x6.5 |



19_K7913_00_0-D-001

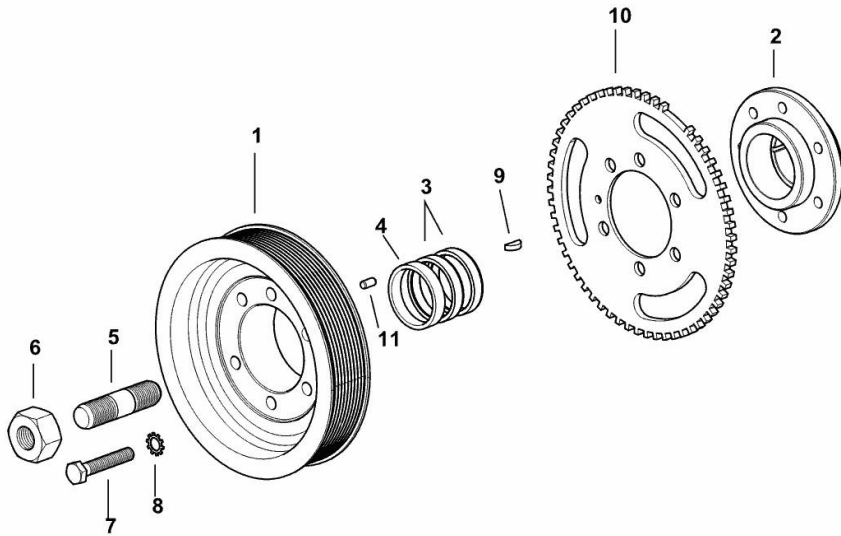
CRANKSHAFT PULLEY

| Fig. | P/n | QTY | Name |
|------|-----|-----|------|
|------|-----|-----|------|

Notes:

[XA 100.4 -> ZKDBE50200TH30001]

| | | | |
|----|--------------|---|-------------------------|
| 1 | 0.019.9925.0 | 1 | pulley |
| 2 | 0.019.6668.0 | 1 | flange |
| 3 | 0.065.1256.0 | 2 | ring 45x52 |
| 4 | 2.1579.865.0 | 1 | spacer 45.2x51.8x10 |
| 5 | 2.0439.195.7 | 1 | stud bolt m 20 p.1.5x80 |
| 6 | 2.1019.094.7 | 1 | nut m 20 p.1.5 |
| 7 | 2.0112.320.2 | 6 | screw m 10 p.1.5 x 55 |
| 8 | 2.1470.006.2 | 6 | lock washer 10 |
| 9 | 2.1720.006.0 | 1 | key 4x6.5 |
| 10 | 0.019.6413.0 | 1 | gear wheel |
| 11 | 2.1651.505.0 | 1 | cylindrical plug 6x12 |



19_K7812_01_0-A-001

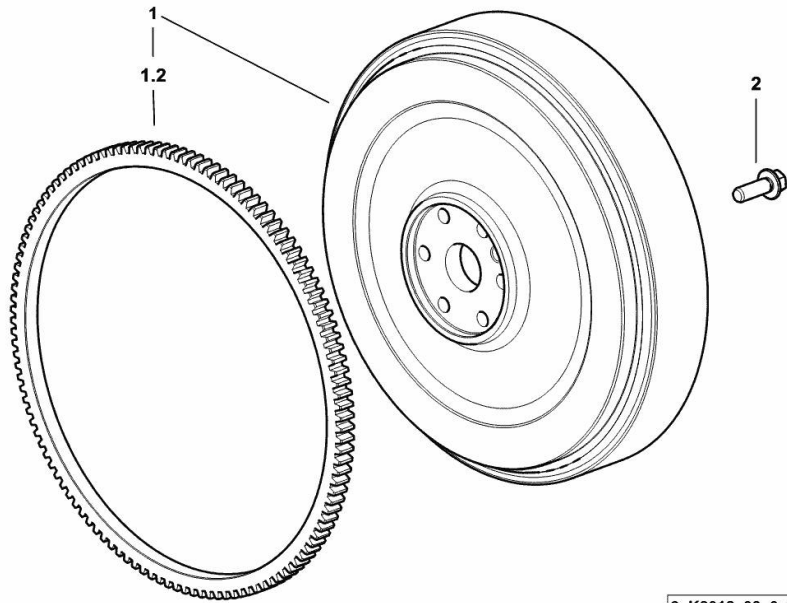
CRANKSHAFT - FLYWHEEL

| Fig. | P/n | QTY | Name |
|------|-----|-----|------|
|------|-----|-----|------|

Notes:

[XA 100.4 -> ZKDBE50200TH30001]

| | | | |
|-----|--------------|---|---------------------|
| 1 | 0.014.2693.3 | 1 | flywheel |
| 1.2 | 0.065.1242.0 | 1 | crown wheel Z = 123 |
| 2 | 2.0399.368.0 | 6 | screw |



9_K8012_03_0-A-001

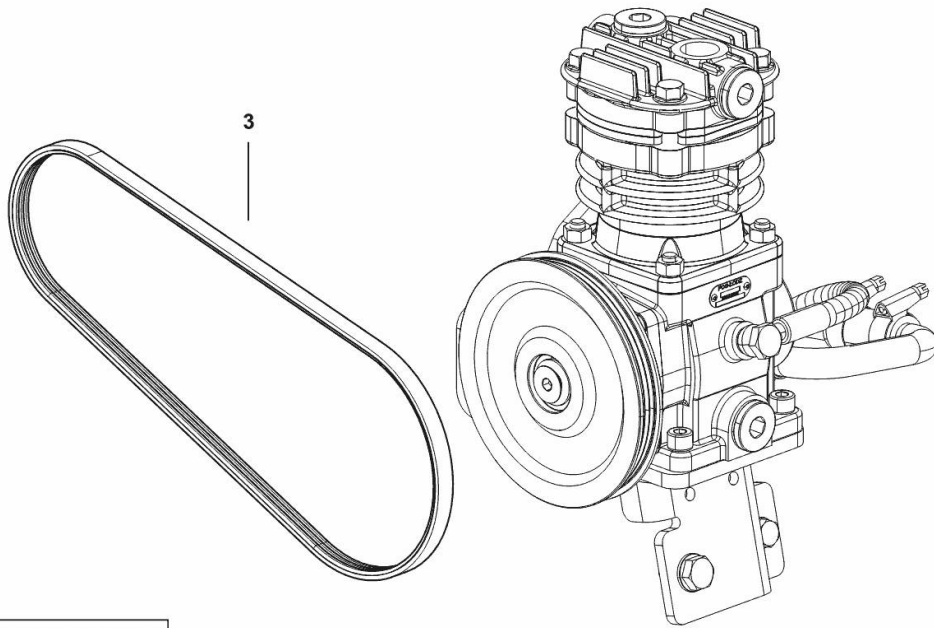
COMPRESSOR DRIVEBELT

| Fig. | P/n | QTY | Name |
|------|-----|-----|------|
|------|-----|-----|------|

Notes:

[XA 100.4 -> ZKDBE50200TH30001]

| | | | |
|---|--------------|---|------|
| 3 | 2.4119.220.0 | 1 | belt |
|---|--------------|---|------|



9_K7719_40_0-B-001

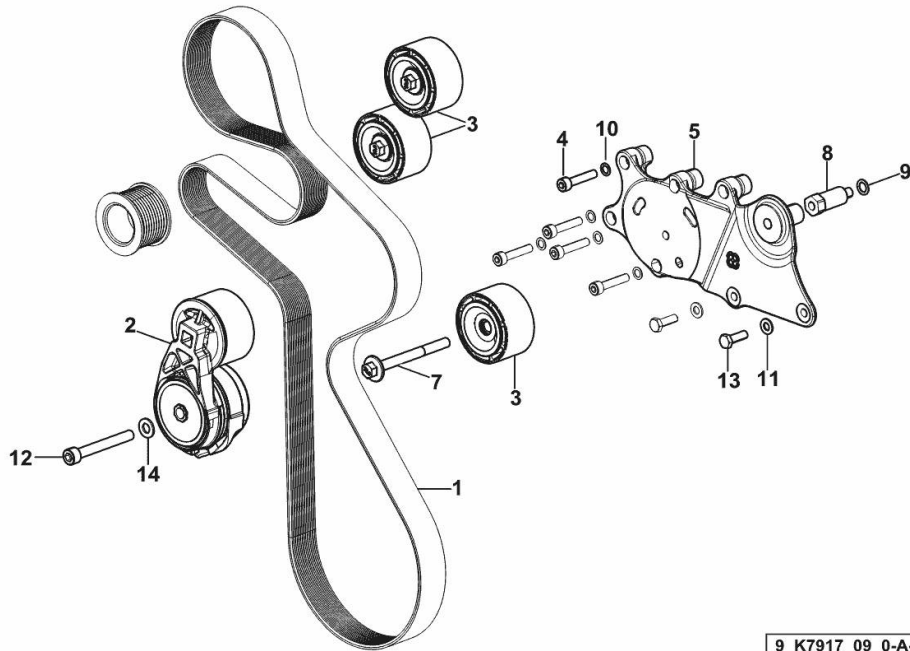
BELT AND TENSIONER

| Fig. | P/n | QTY | Name |
|------|-----|-----|------|
|------|-----|-----|------|

Notes:

[XA 100.4 -> ZKDBE50200TH30001] 30003 <-

| | | | |
|----|-----------------|---|-----------------------|
| 1 | 2.4119.218.0/10 | 1 | belt PK 10 L=2017 |
| 2 | 0.021.4446.4 | 1 | tensioner |
| 3 | 0.019.9869.4/10 | 3 | pulley guide |
| 4 | 2.0312.214.2 | 5 | screw m 8 p.1.25 x 40 |
| 5 | 0.020.4604.0 | 1 | support |
| 7 | 2.0399.380.2 | 1 | screw |
| 8 | 2.0399.379.2 | 1 | small column |
| 9 | 2.1480.015.2 | 1 | washer 10 |
| 10 | 2.1480.014.2 | 5 | washer 8 |
| 11 | 2.1310.004.2 | 2 | flat washer 8.4x17 |
| 12 | 2.0314.322.2 | 1 | screw |
| 13 | 2.0112.209.2 | 2 | screw m 8 p 1.25 x 25 |
| 14 | 2.1310.006.2 | 1 | flat washer 10.5x21 |



9_K7917_09_0-A-001

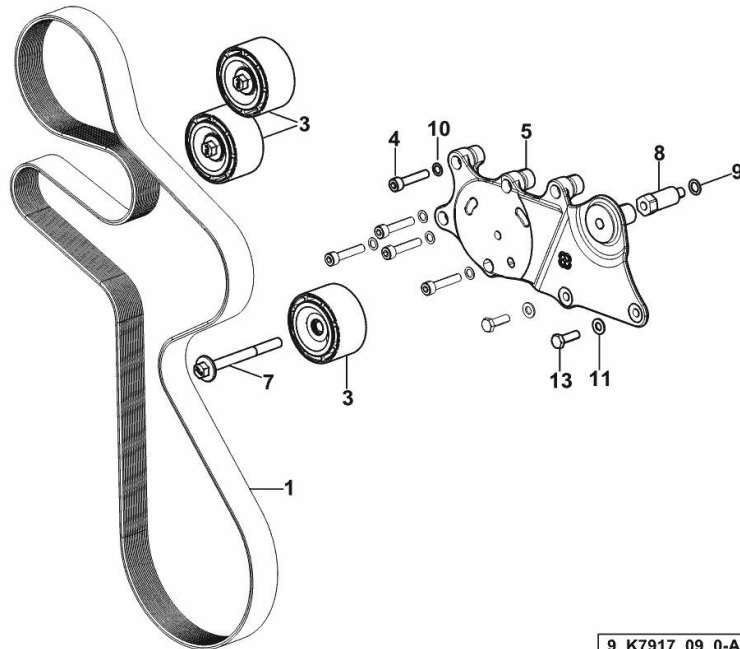
BELT AND TENSIONER

| Fig. | P/n | QTY | Name |
|------|-----|-----|------|
|------|-----|-----|------|

Notes:

[XA 100.4 -> ZKDBE50200TH30001]

| | | | |
|----|-----------------|---|-----------------------|
| 1 | 2.4119.218.0/10 | 1 | belt PK 10 L=2017 |
| 3 | 0.019.9869.4/10 | 3 | pulley guide |
| 4 | 2.0312.214.2 | 5 | screw m 8 p.1.25 x 40 |
| 5 | 0.020.4604.0 | 1 | support |
| 7 | 2.0399.380.2 | 1 | screw |
| 8 | 2.0399.379.2 | 1 | small column |
| 9 | 2.1480.015.2 | 1 | washer 10 |
| 10 | 2.1480.014.2 | 5 | washer 8 |
| 11 | 2.1310.004.2 | 2 | flat washer 8.4x17 |
| 13 | 2.0112.209.2 | 2 | screw m 8 p 1.25 x 25 |



9_K7917_09_0-A-002

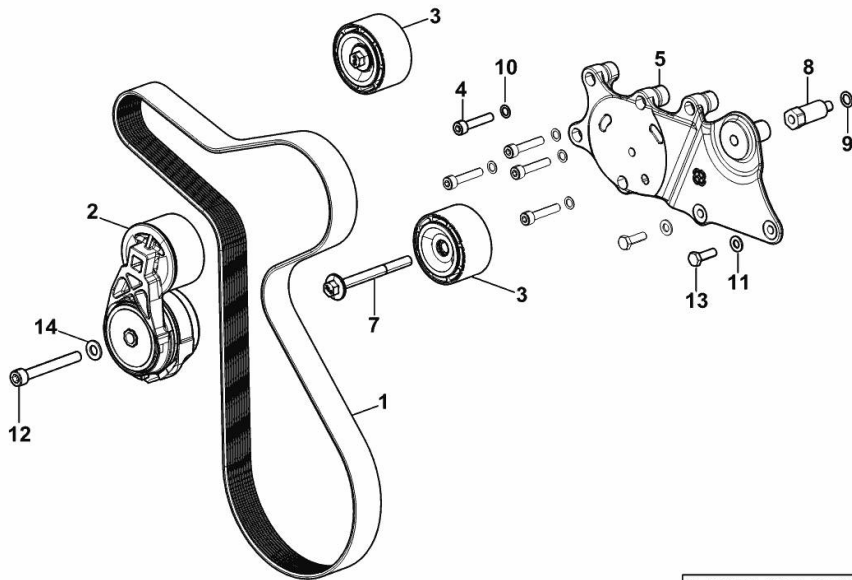
BELT AND TENSIONER

| Fig. | P/n | QTY | Name |
|------|-----|-----|------|
|------|-----|-----|------|

Notes:

[XA 100.4 -> ZKDBE50200TH30001] 30004 <-

| | | | |
|----|-----------------|---|-----------------------|
| 1 | 2.4119.219.0 | 1 | belt PK 10 L=1498 |
| 2 | 0.021.4446.4 | 1 | tensioner |
| 3 | 0.019.9869.4/10 | 2 | pulley guide |
| 4 | 2.0312.214.2 | 5 | screw m 8 p.1.25 x 40 |
| 5 | 0.020.4604.0 | 1 | support |
| 7 | 2.0399.380.2 | 1 | screw |
| 8 | 2.0399.379.2 | 1 | small column |
| 9 | 2.1480.015.2 | 1 | washer 10 |
| 10 | 2.1480.014.2 | 5 | washer 8 |
| 11 | 2.1310.004.2 | 2 | flat washer 8.4x17 |
| 12 | 2.0314.322.2 | 1 | screw |
| 13 | 2.0112.209.2 | 2 | screw m 8 p 1.25 x 25 |
| 14 | 2.1310.006.2 | 1 | flat washer 10.5x21 |



9_K7917_10_0-A-001

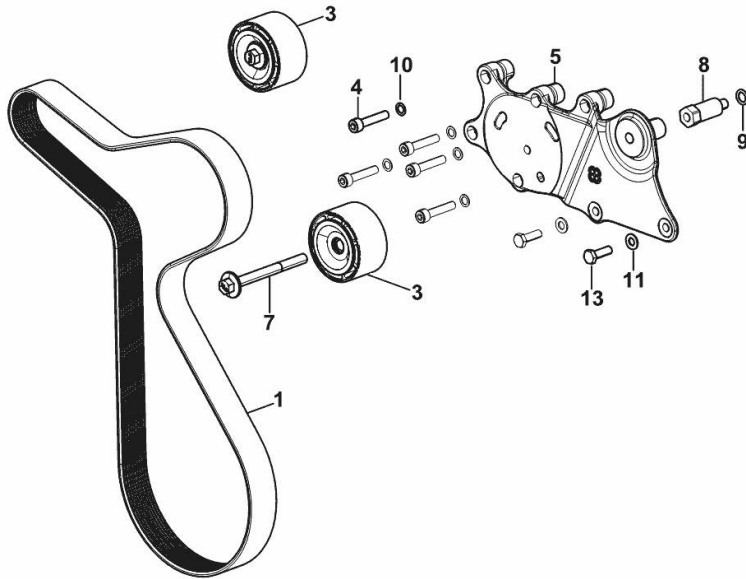
BELT AND TENSIONER

| Fig. | P/n | QTY | Name |
|------|-----|-----|------|
|------|-----|-----|------|

Notes:

[XA 100.4 -> ZKDBE50200TH30001] -> 30005

| | | | |
|----|-----------------|---|-----------------------|
| 1 | 2.4119.219.0 | 1 | belt PK 10 L=1498 |
| 3 | 0.019.9869.4/10 | 2 | pulley guide |
| 4 | 2.0312.214.2 | 5 | screw m 8 p.1.25 x 40 |
| 5 | 0.020.4604.0 | 1 | support |
| 7 | 2.0399.380.2 | 1 | screw |
| 8 | 2.0399.379.2 | 1 | small column |
| 9 | 2.1480.015.2 | 1 | washer 10 |
| 10 | 2.1480.014.2 | 5 | washer 8 |
| 11 | 2.1310.004.2 | 2 | flat washer 8.4x17 |
| 13 | 2.0112.209.2 | 2 | screw m 8 p 1.25 x 25 |



9_K7917_10_0-A-002

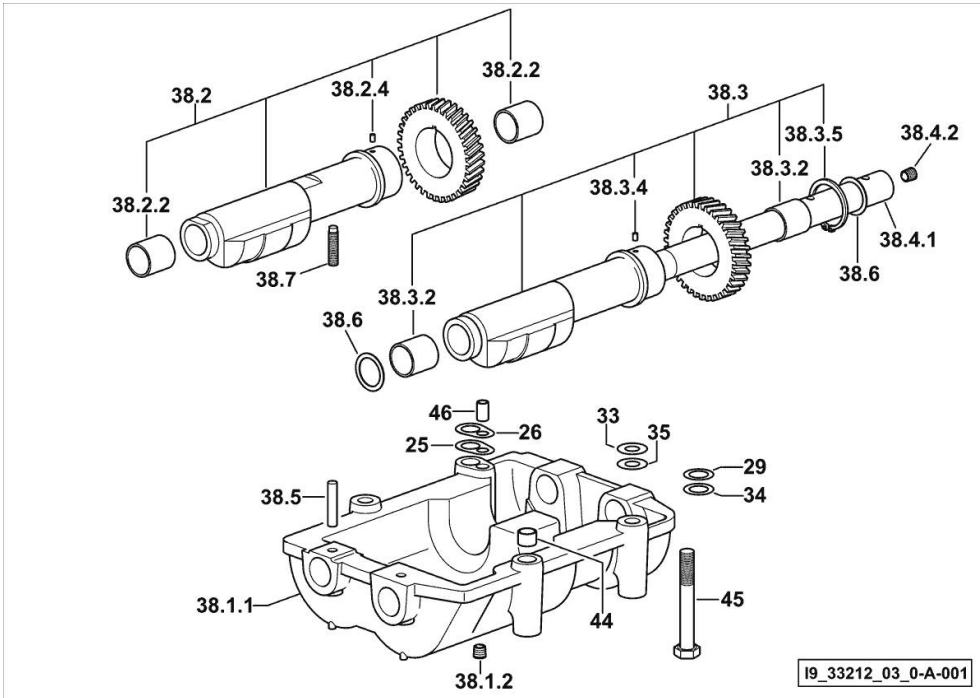
COUNTERWEIGHTS

| Fig. | P/n | QTY | Name |
|------|-----|-----|------|
|------|-----|-----|------|

Notes:

[XA 100.4 -> ZKDBE50200TH30001]

| | | | |
|--------|-----------------|---|---------------------------|
| 25 | 2.1589.139.0 | 1 | shoulder ring mm 0.3 |
| 26 | 2.1589.140.0 | 3 | shoulder ring mm 0.1 |
| 29 | 2.1579.628.0 | 3 | spacer 16.5x26x0.1 |
| 33 | 2.1579.629.0 | 6 | spacer 12.5x26x0.1 |
| 34 | 2.1589.048.0 | 1 | shoulder ring 16.5x26x0.3 |
| 35 | 2.1589.049.0 | 1 | shoulder ring 12.5x26x0.3 |
| 38.1.1 | 0.086.1231.0/10 | 1 | box |
| 38.1.2 | 2.3130.001.1 | 4 | plug 1/8" gas |
| 38.2 | 0.086.1233.3/30 | 1 | mass sx/lh/li |
| 38.2.2 | 2.1559.115.0 | 2 | special bushing 26x30x30 |
| 38.2.4 | 2.1651.302.0 | 1 | roll pin 4x6 |
| 38.3 | 0.065.1233.3/30 | 1 | mass dx/rh/re |
| 38.3.2 | 2.1559.115.0 | 2 | special bushing 26x30x30 |
| 38.3.4 | 2.1651.302.0 | 1 | roll pin 4x6 |
| 38.3.5 | 2.1410.018.1 | 1 | circlip 45 |
| 38.4.1 | 0.065.1234.0/10 | 1 | shaft |
| 38.4.2 | 2.3130.001.1 | 1 | plug 1/8" gas |
| 38.5 | 2.1631.717.0 | 2 | roll pin 8 x 40 |
| 38.6 | 2.1589.185.0 | 4 | shoulder ring 26.1x34x1 |
| 38.7 | 2.0522.212.7 | 1 | screw m 8 p.1.25 x 30 |
| 44 | 2.1579.626.0 | 2 | spacer 13.2x16x11 |
| 45 | 2.0139.028.2 | 4 | screw m 12 |
| 46 | 2.1699.191.0 | 1 | bush 7x10x16 |



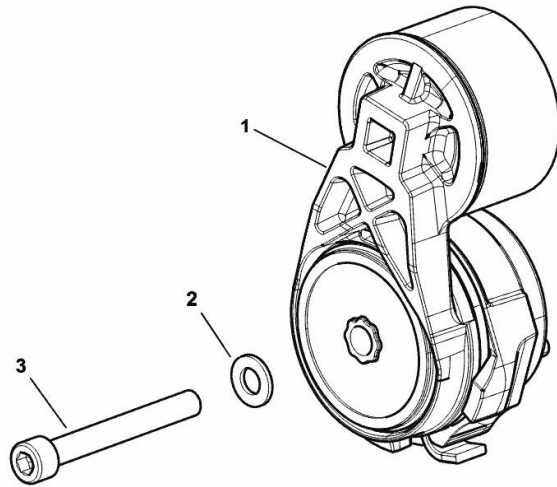
TENSION ROLLER

| Fig. | P/n | QTY | Name |
|------|-----|-----|------|
|------|-----|-----|------|

Notes:

[XA 100.4 -> ZKDBE50200TH30001] -> 30005

| | | | |
|---|--------------|---|---------------------|
| 1 | 0.019.9867.4 | 1 | tensioner |
| 2 | 2.1310.006.2 | 1 | flat washer 10.5x21 |
| 3 | 2.0314.322.2 | 1 | screw |



9_IB117_10_0-A-001

Thank you so much for reading.
Please click the “Buy Now!”
button below to download the
complete manual.



After you pay.

You can download the most
perfect and complete manual in
the world immediately.

Our support email:

ebooklibonline@outlook.com