

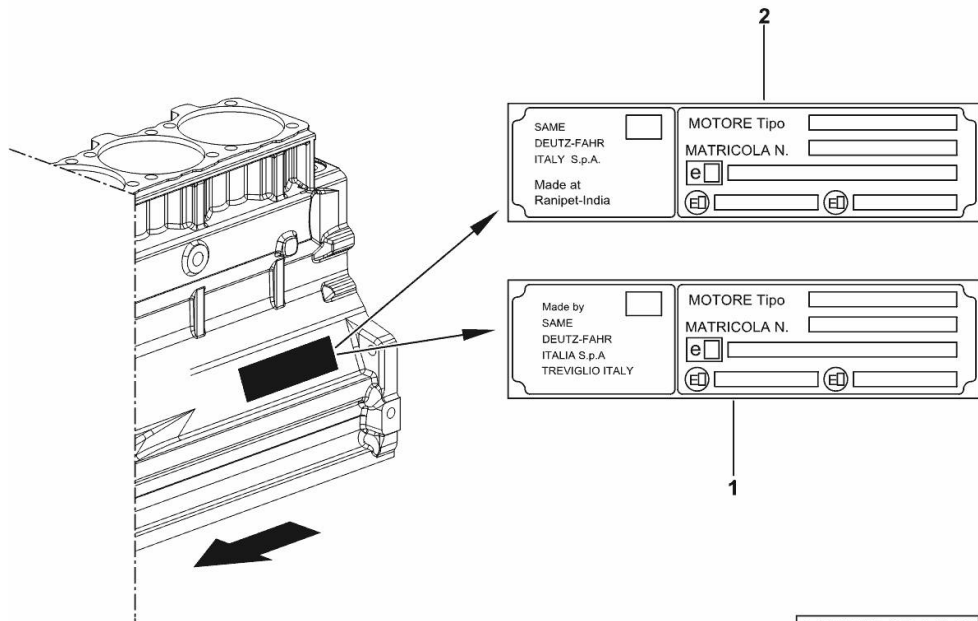
**ENGINE TYPE-APPROVAL DATA PLATE**

| Fig. | P/n | QTY | Name |
|------|-----|-----|------|
|------|-----|-----|------|

**Notes:**

[XA 90 -> ZKDR3602W0TH05001]

|   |              |  |   |
|---|--------------|--|---|
| 1 | 0.000.0000.1 |  | cannot be supplied<br>MADE BY TREVIGLIO ITALY |
| 2 | 0.000.0000.1 |  | cannot be supplied<br>MADE AT RANIPET - INDIA |



9\_STA000\_00\_0-A-001

**CRANKCASE**

| Fig. | P/n | QTY | Name |
|------|-----|-----|------|
|------|-----|-----|------|

**Notes:**

FOR ENGINES PRODUCED IN : TREVIGLIO ITALY [XA 90 -> ZKDR3602W0TH05001]



9\_O1011\_00\_0-A-001

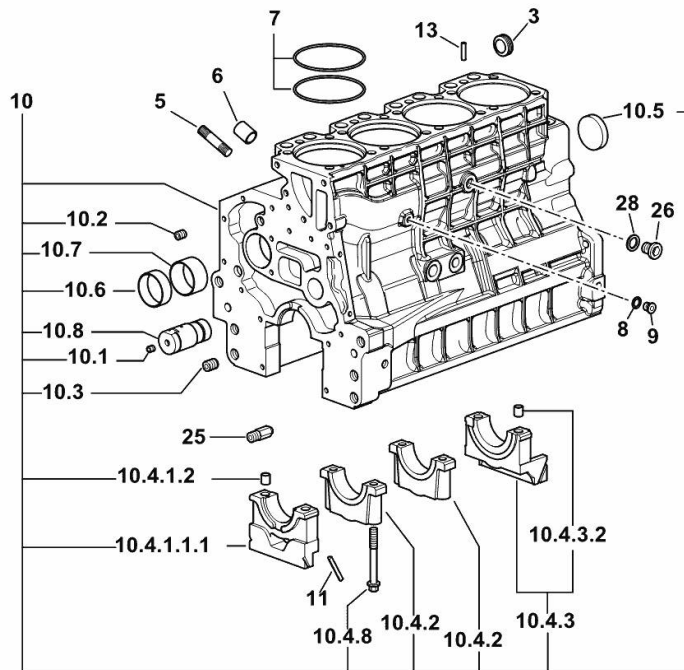
|            |                 |    |                              |
|------------|-----------------|----|------------------------------|
| 3          | 2.3199.312.2/20 | 1  | plug m 35x1.5x9.5            |
| 5          | 2.0439.279.7    | 8  | stud bolt m 8 p.1 x 25       |
| 6          | 2.1559.188.2    | 4  | bush 11.4 x 14 x16           |
| 7          | 2.1539.259.0    | 8  | special oil seal 107.62x2.62 |
| 8          | 2.1560.010.0    | 1  | gasket 14.2 x 20             |
| 9          | 2.3199.292.0    | 1  | plug 1/4" gas                |
| 10         | 0.014.9655.4/30 | 1  | crankcase                    |
| 10.1       | 2.3130.001.1    | 14 | plug 1/8" gas                |
| 10.2       | 2.3130.002.1    | 4  | plug 1/4" gas                |
| 10.3       | 2.3130.003.1    | 6  | plug 3/8" gas                |
| 10.4.1.1.1 | 0.065.1112.7/10 | 1  | support                      |
| 10.4.1.2   | 2.1699.165.0    | 1  | bush 12.3x15x16              |
| 10.4.2     | 0.065.1114.0/10 | 3  | support                      |
| 10.4.3     | 0.065.1116.3    | 1  | support                      |
| 10.4.3.2   | 2.1699.165.0    | 1  | bush 12.3x15x16              |
| 10.4.8     | 0.065.1117.0    | 10 | screw m 12 x 100             |
| 10.5       | 2.3179.012.0    | 1  | plug 60                      |
| 10.6       | 0.065.1140.0    | 4  | special bushing 59X55X20     |
| 10.7       | 0.065.1141.0    | 1  | special bushing 59X55X30     |
| 10.8       | 0.014.1340.0/10 | 1  | pin mm 85                    |
| 11         | 0.066.1152.0/10 | 4  | gasket                       |
| 13         | 2.1549.154.2    | 4  | bush 4.8x5.8x16              |
| 25         | 0.013.4946.0/10 | 1  | sprayer nozzle               |
| 26         | 2.3120.101.0    | 1  | plug m 18 p.1.5              |
| 28         | 2.1560.014.0    | 1  | washer 18.2 x 24             |

**CRANKCASE**

| Fig. | P/n | QTY | Name |
|------|-----|-----|------|
|------|-----|-----|------|

**Notes:**

FOR ENGINES PRODUCED IN : RANIPET - INDIA [XA 90 -> ZKDR3602W0TH05001]



19\_O1011\_00\_0-A-001

|            |                 |    |                              |
|------------|-----------------|----|------------------------------|
| 3          | 2.3199.312.2/20 | 1  | plug m 35x1.5x9.5            |
| 5          | 2.0439.279.7    | 8  | stud bolt m 8 p.1 x 25       |
| 6          | 2.1559.188.2    | 4  | bush 11.4 x 14 x16           |
| 7          | 2.1539.259.0    | 8  | special oil seal 107.62x2.62 |
| 8          | 2.1560.010.0    | 1  | gasket 14.2 x 20             |
| 9          | 2.3199.292.0    | 1  | plug 1/4" gas                |
| 10         | 0.014.9655.4/30 | 1  | crankcase                    |
| 10.1       | 2.3130.001.1    | 14 | plug 1/8" gas                |
| 10.2       | 2.3130.002.1    | 4  | plug 1/4" gas                |
| 10.3       | 2.3130.003.1    | 6  | plug 3/8" gas                |
| 10.4.1.1.1 | 0.065.1112.7/10 | 1  | support                      |
| 10.4.1.2   | 2.1699.165.0    | 1  | bush 12.3x15x16              |
| 10.4.2     | 0.065.1114.0/10 | 3  | support                      |
| 10.4.3     | 0.065.1116.3    | 1  | support                      |
| 10.4.3.2   | 2.1699.165.0    | 1  | bush 12.3x15x16              |
| 10.4.8     | 0.065.1117.0    | 10 | screw m 12 x 100             |
| 10.5       | 2.3179.012.0    | 1  | plug 60                      |
| 10.6       | 0.065.1140.0    | 4  | special bushing 59X55X20     |
| 10.7       | 0.065.1141.0    | 1  | special bushing 59X55X30     |
| 10.8       | 0.014.1340.0/10 | 1  | pin mm 85                    |
| 11         | 0.066.1152.0/10 | 4  | gasket                       |
| 13         | 2.1549.154.2    | 4  | bush 4.8x5.8x16              |
| 25         | 0.013.4946.0/10 | 1  | sprayer nozzle               |
| 26         | 2.3120.101.0    | 1  | plug m 18 p.1.5              |
| 28         | 2.1560.014.0    | 1  | washer 18.2 x 24             |

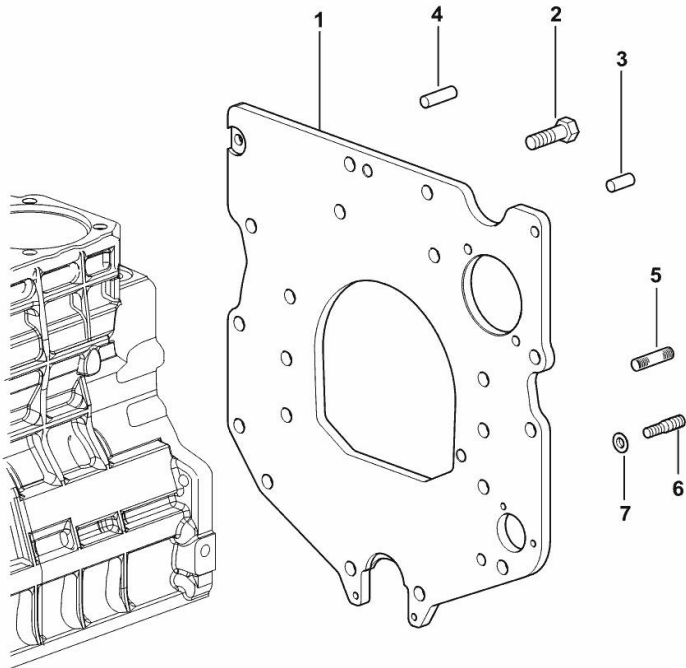
**MONOBLOC ENGINE-GEARBOX CONNECTING FLANGE**

| Fig. | P/n | QTY | Name |
|------|-----|-----|------|
|------|-----|-----|------|

**Notes:**

FOR ENGINES PRODUCED IN : TREVIGLIO ITALY [XA 90 -> ZKDR3602W0TH05001]

|   |                 |   |                                   |
|---|-----------------|---|-----------------------------------|
| 1 | 0.007.7752.0/30 | 1 | flange                            |
| 2 | 2.0112.511.2    | 8 | screw m 14 p.2 x 30               |
| 3 | 2.1651.912.0    | 2 | cylindrical plug 12x28            |
| 4 | 2.1651.917.0    | 1 | cylindrical plug 12x40            |
| 5 | 2.0432.257.7    | 1 | stud bolt m 12 p.1.75 - 1.25 x 30 |
| 6 | 2.0439.250.7    | 1 | stud bolt m 12 / m 10 x 30        |
| 7 | 0.011.9294.0/10 | 1 | bush                              |



9\_37311\_01\_0-A-001

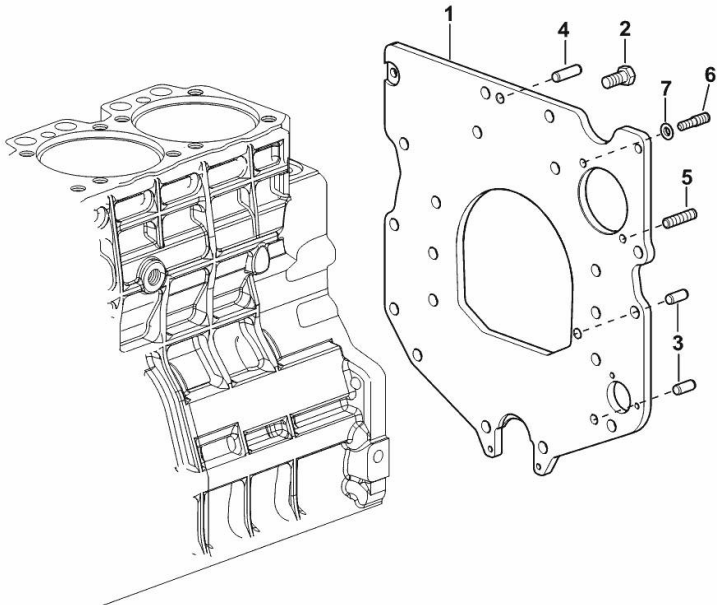
**MONOBLOC ENGINE-GEARBOX CONNECTING FLANGE**

| Fig. | P/n | QTY | Name |
|------|-----|-----|------|
|------|-----|-----|------|

**Notes:**

FOR ENGINES PRODUCED IN : RANIPET - INDIA [XA 90 -> ZKDR3602W0TH05001]

|   |                 |   |                                   |
|---|-----------------|---|-----------------------------------|
| 1 | 0.007.7752.0/30 | 1 | flange                            |
| 2 | 2.0112.511.2    | 8 | screw m 14 p.2 x 30               |
| 3 | 2.1651.912.0    | 2 | cylindrical plug 12x28            |
| 4 | 2.1651.917.0    | 1 | cylindrical plug 12x40            |
| 5 | 2.0432.257.7    | 1 | stud bolt m 12 p.1.75 - 1.25 x 30 |
| 6 | 2.0439.250.7    | 1 | stud bolt m 12 / m 10 x 30        |
| 7 | 0.011.9294.0/10 | 1 | bush                              |



19\_N8911\_01\_0-A-001

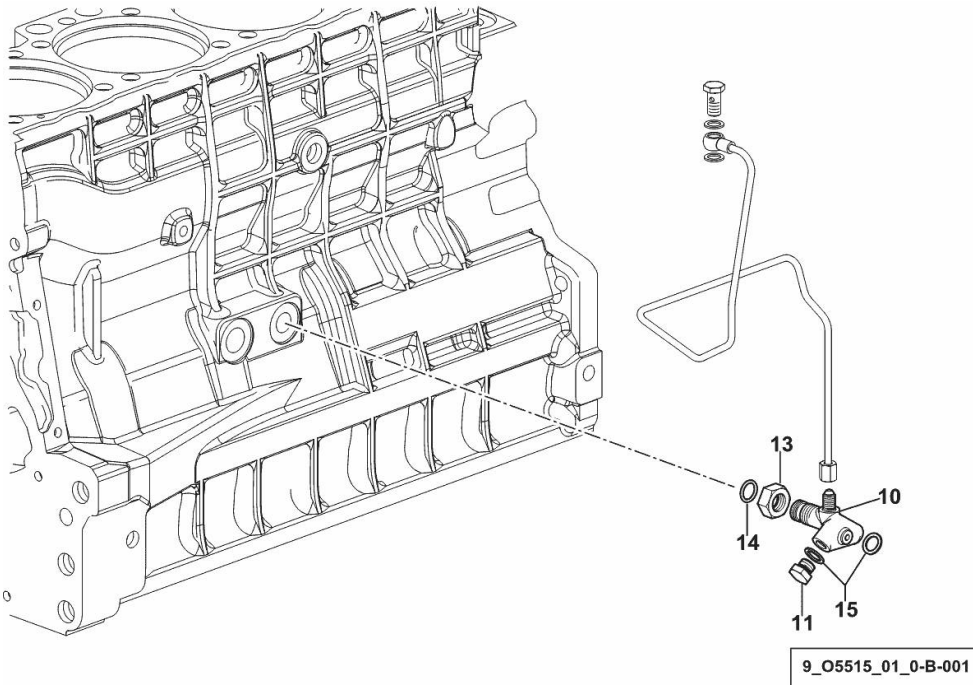
**ENGINE OIL AND TURBO PRESSURE SWITCH UNION**

| Fig. | P/n | QTY | Name |
|------|-----|-----|------|
|------|-----|-----|------|

**Notes:**

FOR ENGINES PRODUCED IN : TREVIGLIO ITALY [XA 90 -> ZKDR3602W0TH05001]

|    |                 |   |                     |
|----|-----------------|---|---------------------|
| 10 | 2.3339.787.0/10 | 1 | pipe fitting 7/16"  |
| 11 | 2.3110.403.1    | 1 | plug m 14 p.1.5x12  |
| 13 | 2.1019.129.2/10 | 1 | nut m 18 p.1.5x12   |
| 14 | 2.1533.038.0    | 1 | oil seal 15.45x2.62 |
| 15 | 2.1560.010.0    | 2 | gasket 14.2 x 20    |



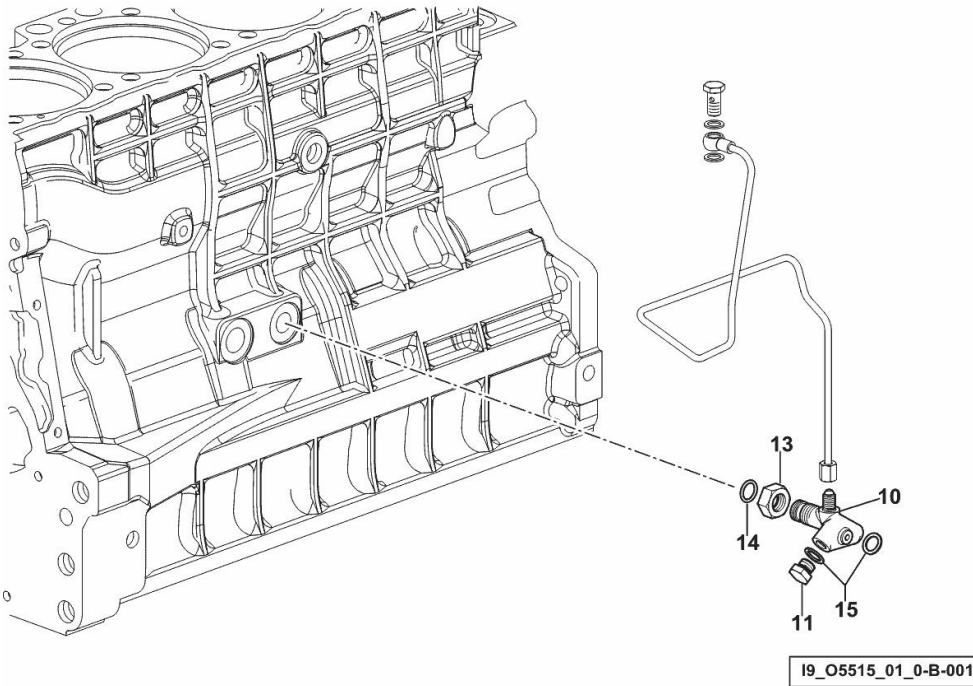
**ENGINE OIL AND TURBO PRESSURE SWITCH UNION**

| Fig. | P/n | QTY | Name |
|------|-----|-----|------|
|------|-----|-----|------|

**Notes:**

FOR ENGINES PRODUCED IN : RANIPET - INDIA [XA 90 -> ZKDR3602W0TH05001]

|    |                 |   |                     |
|----|-----------------|---|---------------------|
| 10 | 2.3339.787.0/10 | 1 | pipe fitting 7/16"  |
| 11 | 2.3110.403.1    | 1 | plug m 14 p.1.5x12  |
| 13 | 2.1019.129.2/10 | 1 | nut m 18 p.1.5x12   |
| 14 | 2.1533.038.0    | 1 | oil seal 15.45x2.62 |
| 15 | 2.1560.010.0    | 2 | gasket 14.2 x 20    |



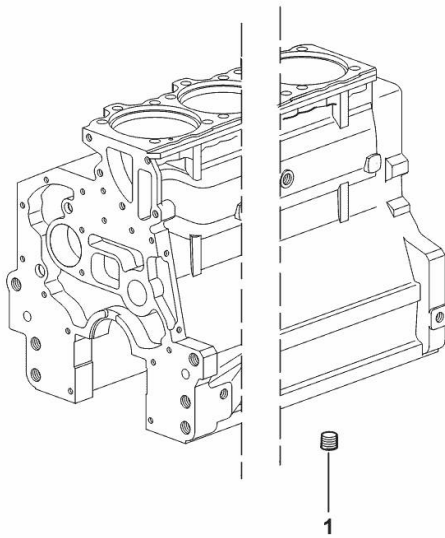
**LOWER PLUG FOR CYLINDER BLOCKS**

| Fig. | P/n | QTY | Name |
|------|-----|-----|------|
|------|-----|-----|------|

**Notes:**

FOR ENGINES PRODUCED IN : TREVIGLIO ITALY [XA 90 -> ZKDR3602W0TH05001]

|   |              |   |               |
|---|--------------|---|---------------|
| 1 | 2.3130.003.1 | 2 | plug 3/8" gas |
|---|--------------|---|---------------|



9\_33311\_06\_0-A-001



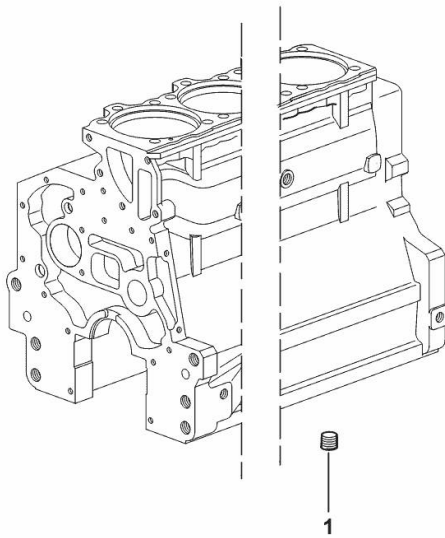
**LOWER PLUG FOR CYLINDER BLOCKS**

| Fig. | P/n | QTY | Name |
|------|-----|-----|------|
|------|-----|-----|------|

**Notes:**

FOR ENGINES PRODUCED IN : RANIPET - INDIA [XA 90 -> ZKDR3602W0TH05001]

|   |              |   |               |
|---|--------------|---|---------------|
| 1 | 2.3130.003.1 | 2 | plug 3/8" gas |
|---|--------------|---|---------------|



19\_37511\_06\_0-A-001

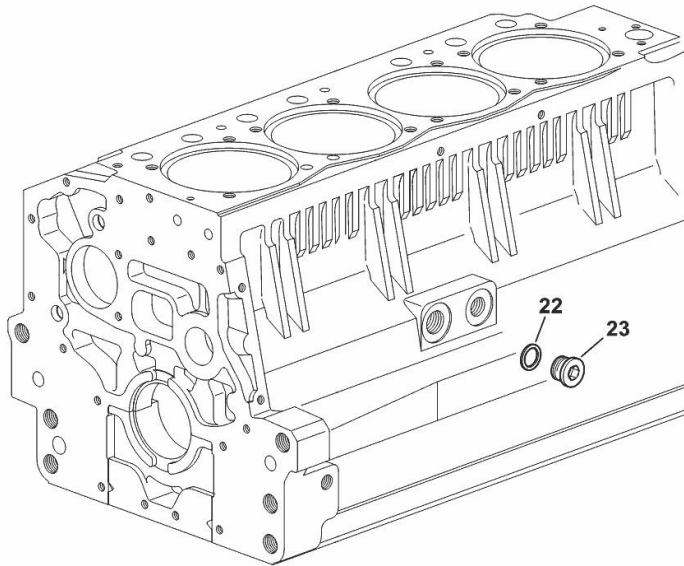
**SIDE PLUG FOR CYLINDER BLOCK**

| Fig. | P/n | QTY | Name |
|------|-----|-----|------|
|------|-----|-----|------|

**Notes:**

FOR ENGINES PRODUCED IN : TREVIGLIO ITALY [XA 90 -&gt; ZKDR3602W0TH05001]

|    |              |   |                  |
|----|--------------|---|------------------|
| 22 | 2.1560.017.0 | 1 | gasket 22.2 x 27 |
| 23 | 2.3120.002.4 | 1 | plug m 22 x 1.5  |



9\_33211\_07\_0-A-001

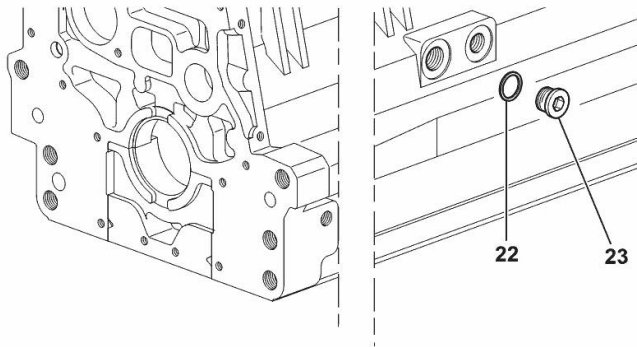
**SIDE PLUG FOR CYLINDER BLOCK**

| Fig. | P/n | QTY | Name |
|------|-----|-----|------|
|------|-----|-----|------|

**Notes:**

FOR ENGINES PRODUCED IN : RANIPET - INDIA [XA 90 -> ZKDR3602W0TH05001]

|    |              |   |                  |
|----|--------------|---|------------------|
| 22 | 2.1560.017.0 | 1 | gasket 22.2 x 27 |
| 23 | 2.3120.002.4 | 1 | plug m 22 x 1.5  |



I9\_33211\_07\_0-A-001

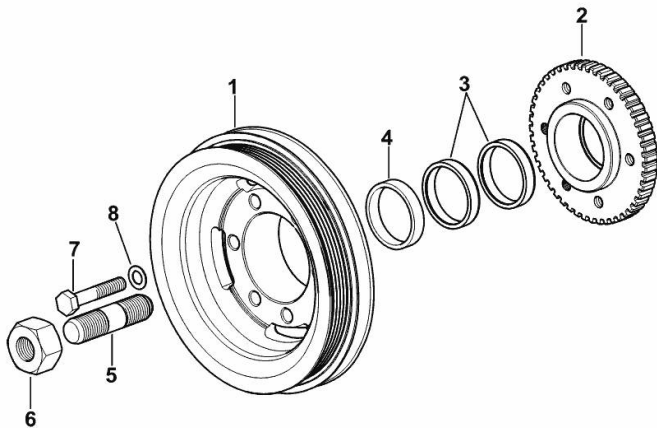
**ENGINE CRANKSHAFT PULLEY WITH RING-FEEDER RINGS**

| Fig. | P/n | QTY | Name |
|------|-----|-----|------|
|------|-----|-----|------|

**Notes:**

FOR ENGINES PRODUCED IN : TREVIGLIO ITALY [XA 90 -> ZKDR3602W0TH05001]

|   |                 |   |                         |
|---|-----------------|---|-------------------------|
| 1 | 0.015.6055.0    | 1 | pulley                  |
| 2 | 0.011.3515.0/20 | 1 | hub Z = 48              |
| 3 | 0.065.1256.0    | 2 | ring 45x52              |
| 4 | 2.1579.865.0    | 1 | spacer 45.2x51.8x10     |
| 5 | 2.0439.195.7    | 1 | stud bolt m 20 p.1.5x80 |
| 6 | 2.1019.094.7    | 1 | nut m 20 p.1.5          |
| 7 | 2.0112.320.2    | 6 | screw m 10 p.1.5 x 55   |
| 8 | 2.1470.006.2    | 6 | lock washer 10          |



9\_O6312\_03\_0-A-001

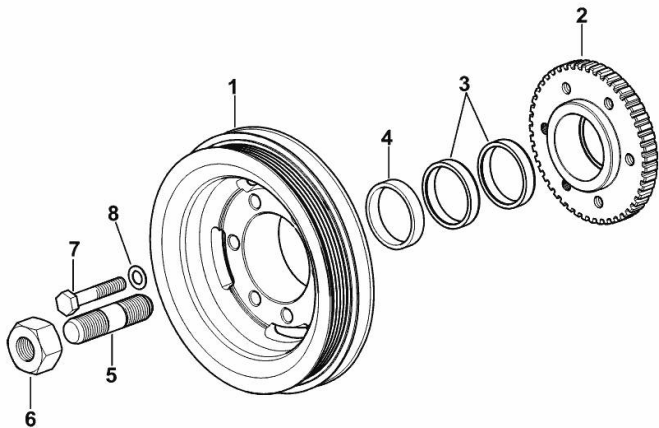
**ENGINE CRANKSHAFT PULLEY WITH RING-FEEDER RINGS**

| Fig. | P/n | QTY | Name |
|------|-----|-----|------|
|------|-----|-----|------|

**Notes:**

FOR ENGINES PRODUCED IN : RANIPET - INDIA [XA 90 -> ZKDR3602W0TH05001]

|   |                 |   |                         |
|---|-----------------|---|-------------------------|
| 1 | 0.015.6055.0    | 1 | pulley                  |
| 2 | 0.011.3515.0/20 | 1 | hub Z = 48              |
| 3 | 0.065.1256.0    | 2 | ring 45x52              |
| 4 | 2.1579.865.0    | 1 | spacer 45.2x51.8x10     |
| 5 | 2.0439.195.7    | 1 | stud bolt m 20 p.1.5x80 |
| 6 | 2.1019.094.7    | 1 | nut m 20 p.1.5          |
| 7 | 2.0112.320.2    | 6 | screw m 10 p.1.5 x 55   |
| 8 | 2.1470.006.2    | 6 | lock washer 10          |



I9\_O6312\_03\_0-A-001

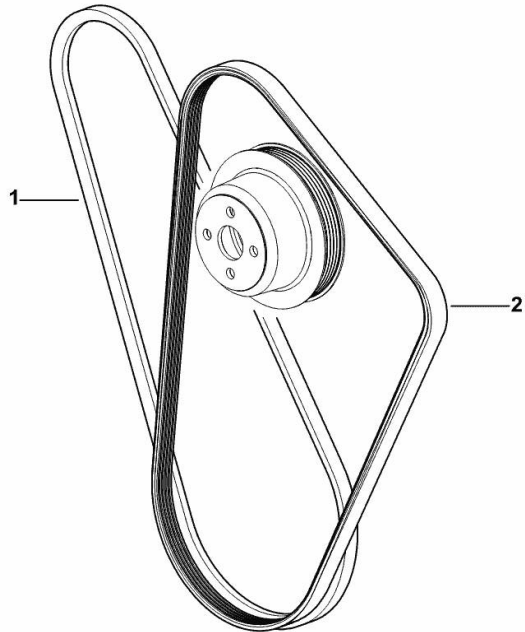
**COOLANT PUMP AND ALTERNATOR DRIVEBELT**

| Fig. | P/n | QTY | Name |
|------|-----|-----|------|
|------|-----|-----|------|

**Notes:**

- FOR MODELS WITH COMPRESSOR [XA 90 -> ZKDR3602W0TH05001]

|   |              |   |                             |
|---|--------------|---|-----------------------------|
| 1 | 2.4119.143.0 | 1 | belt AV 12.7x1225 mm        |
| 2 | 2.4119.214.0 | 1 | belt PV-K5 ( mm 17.4x1245 ) |



9\_O6317\_09\_0-A-001

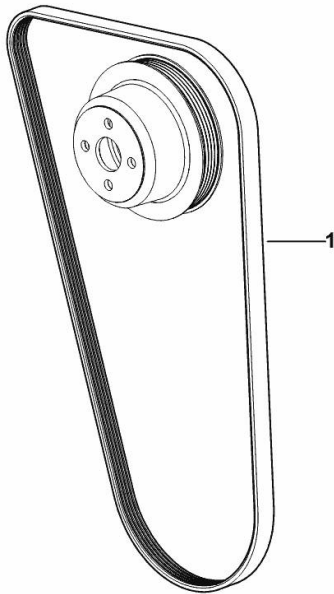
**COOLANT PUMP AND ALTERNATOR DRIVEBELT**

| Fig. | P/n | QTY | Name |
|------|-----|-----|------|
|------|-----|-----|------|

**Notes:**

[XA 90 -> ZKDR3602W0TH05001] 5013 <-

|   |              |   |                      |
|---|--------------|---|----------------------|
| 1 | 2.4119.187.0 | 1 | belt PV-K5 (mm 1230) |
|---|--------------|---|----------------------|



9\_O6817\_09\_0-A-001

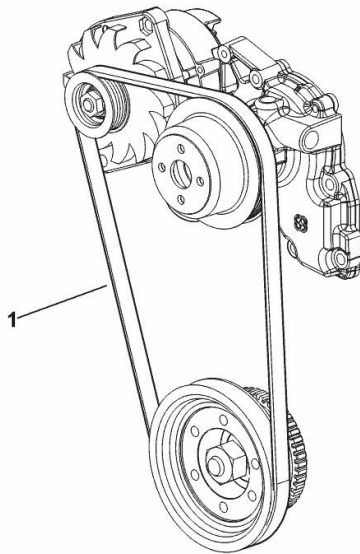
**COOLANT PUMP AND ALTERNATOR DRIVEBELT**

| Fig. | P/n | QTY | Name |
|------|-----|-----|------|
|------|-----|-----|------|

**Notes:**

[XA 90 -> ZKDR3602W0TH05001] -> 5015 - 20046 <-

|   |              |   |                             |
|---|--------------|---|-----------------------------|
| 1 | 2.4119.195.0 | 1 | belt PV-K5 ( mm 17.4x1250 ) |
|---|--------------|---|-----------------------------|



9\_N2517\_09\_0-A-001



Thank you so much for reading.  
Please click the “Buy Now!”  
button below to download the  
complete manual.



After you pay.

You can download the most  
perfect and complete manual in  
the world immediately.

Our support email:

[ebooklibonline@outlook.com](mailto:ebooklibonline@outlook.com)